

BRAVEN®

READY
PRO™



USER GUIDE

GET TO KNOW YOUR BRAVEN

VOLUME UP,
SKIP TRACK (press and hold)

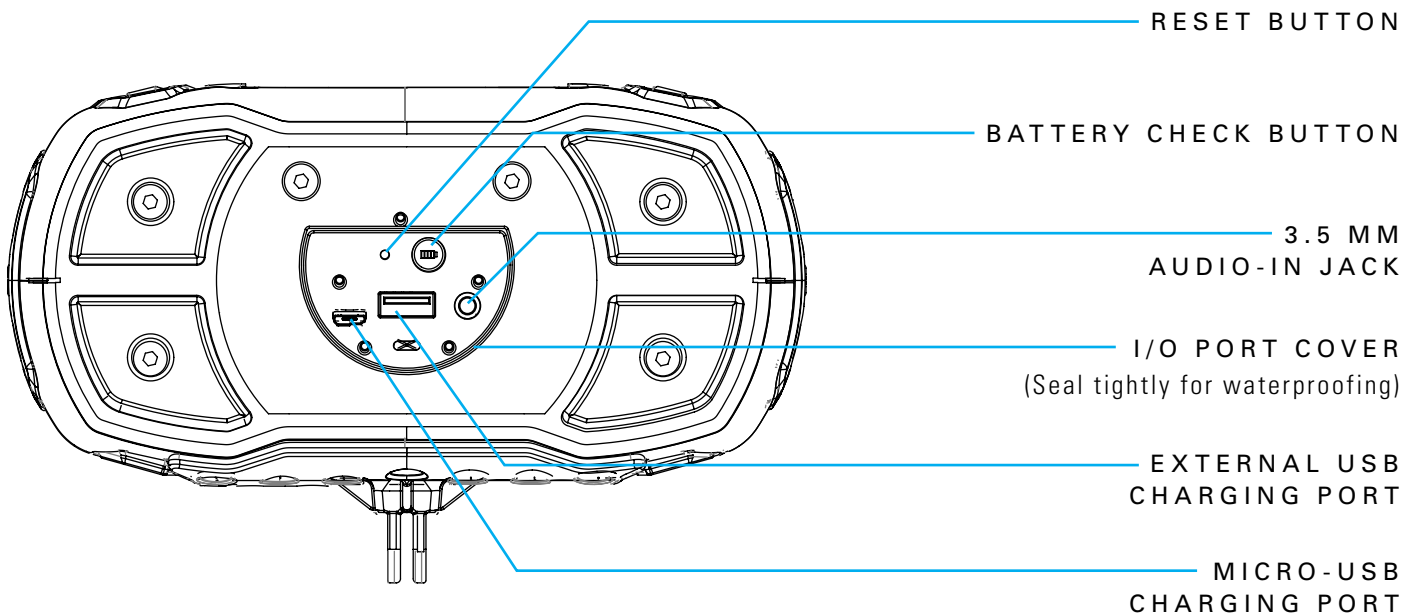
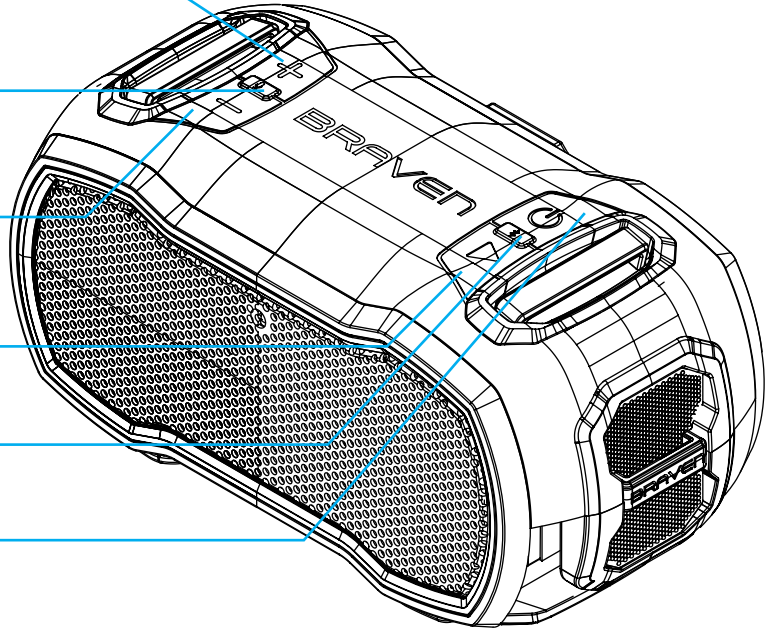
ANSWER / END CALL /
VOICE CONTROL

VOLUME DOWN,
SKIP BACK (press and hold)

PLAY / PAUSE

BLUETOOTH PAIRING

POWER ON / OFF



RESET BUTTON

BATTERY CHECK BUTTON

3.5 MM
AUDIO-IN JACK

I/O PORT COVER
(Seal tightly for waterproofing)

EXTERNAL USB
CHARGING PORT

MICRO-USB
CHARGING PORT

POWER & BLUETOOTH PAIRING

1. Press the Power button for 2-3 seconds to turn your BRAVEN READY PRO™ on or off.
2. Activate / enable Bluetooth® on your device's settings.
3. Speaker automatically enters pairing mode upon powering on. To pair a second device, press and hold the Bluetooth button. Go to your phone or device's Bluetooth® settings and select "BRAVEN READY PRO" from the list.
4. Enter "0000" if asked for a pass code.

Your BRAVEN will remember the last 8 devices it has paired with.

NOTE: If your BRAVEN does not have an active Bluetooth® connection and is left on, it automatically powers off after 30 minutes. To restart your BRAVEN you will need to press and hold the power button for 2-3 seconds.

USING BRAVEN BLUETOOTH® SMART

Download the BRAVEN READY™ Outdoor Speaker App from Google Play or the App Store to power on, pair for audio streaming and customize your listening experience.



CHARGING YOUR BRAVEN

- Before using your BRAVEN for the first time, charge the unit until the battery indicator light turns off.
- To charge your BRAVEN, plug the included Micro-USB cable into a wall power adapter (not included) or into a powered USB port on a computer. Plug the Micro-USB connector end of the cable into the BRAVEN charging port.
- Once fully charged, your BRAVEN READY PRO™ has 16 hours of playtime at medium volume.

CHARGING EXTERNAL DEVICES

Your BRAVEN is designed to charge USB devices that draw from 0.3A - 1A using the full-sized USB port located behind the I/O port cover. To use external charging:

1. Turn your BRAVEN on.
2. Plug the Micro USB power cable that came with your phone, mp3 player, or other mobile device into the USB port on your BRAVEN.
3. Plug the other end of the cable into your mobile device, and it will immediately begin charging.

SPEAKERPHONE

Press the Mic button on your BRAVEN to answer the call over the speaker. Press the Play / Pause Mic button again to end the call.

WATERPROOF FEATURES

The BRAVEN READY PRO™ is IP68 waterproof, and is designed to withstand rainfall, waterjets, water splashing, or a dunk in the pool.

IMPORTANT: To ensure your BRAVEN READY PRO™ speaker is prepared for use in a wet environment, remove all cable connections and tightly close the I/O port cover on the back of the speaker. If this cover is not securely fastened to the speaker, BRAVEN READY PRO™ will not be waterproof.

USING BRAVEN VOICE CONTROL

To activate Siri or Google Commands with your BRAVEN, short press the Mic button. You can now say commands through your BRAVEN, with your phone at a distance.

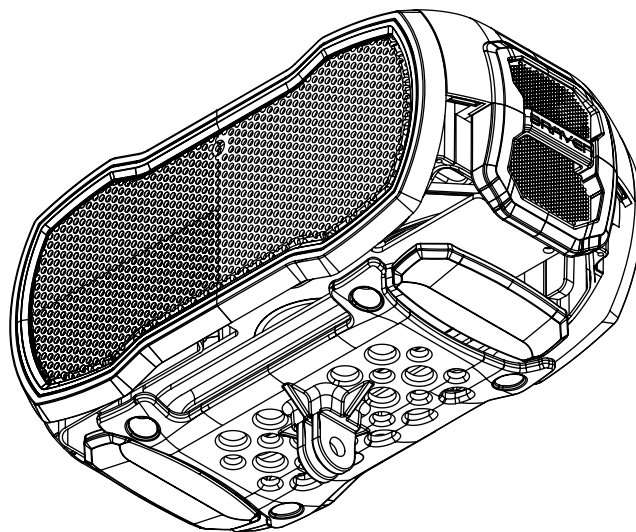
USING TRUEWIRELESS STEREO PAIRING

TrueWireless allows you to wirelessly pair two BRAVEN READY PRO™ speakers in right & left channel audio.

To activate TrueWireless, long press the “battery check button” on the back of both speakers at the same time until a pairing chime emits. Within 30 seconds, a beep will indicate that both speaker have successfully paired.

USING THE ACTION MOUNT

The included Action Mount allows you to attach your BRAVEN READY PRO to most GoPro™ mounting systems. To attach the Action Mount to the READY PRO, align the mount with the holes on the bottom of your BRAVEN. Secure the mount using the included screws and hex wrench.



RESETTING YOUR BRAVEN

To reset your BRAVEN READY SOLO™ to factory settings, press the Reset button located on the back of your speaker.

WARNINGS, CAUTION & LEGAL INFORMATION

To reduce the risk of fire or electric shock, do not expose the BRAVEN to rain or moisture while charging. The BRAVEN should not be exposed to dripping or splashing, and objects filled with liquids, such as vases, should not be placed on or near it while being charged or charging other devices. As with any electronic products, use care not to spill liquids into any part of the product. Liquids can cause a failure and/or a fire hazard. The power supply must be used indoors only. Make no modifications to the product or accessories. Unauthorized alterations may compromise safety, regulatory compliance, and system performance, and will void the warranty. Do not place any flame sources, such as lighted candles, on or near the BRAVEN. The BRAVEN contains small parts that may be a choking hazard and is not suitable for children under age 3. Do not continue charging the battery if it does not reach full charge within the specified charging time. Overcharging may cause the battery to become hot, rupture, or ignite. If you see any heat deformation or leakage, properly dispose of the battery. Do not attempt to charge the battery in temperatures outside the range of 32°-104°F (0°-40°C). If the battery begins to leak, do not allow the liquid to come in contact with your skin or eyes. If contact has been made, wash the affected area with plenty of water and seek medical attention immediately. Do not expose the product or battery to excessive heat, including direct sunlight or fire and storage or use inside cars in hot weather, where it can be exposed to temperatures in excess of 115°F (60°C). Doing so may cause the battery and power supply to generate heat, rupture, or ignite. Using the product in this manner also may result in a loss of performance and a shortened life expectancy. Extended exposure to direct sunlight may damage the external appearance and material qualities. Do not step on, throw, or drop batteries or the power supply or device, or expose them to a strong shock. Do not pierce, crush, dent, or deform the batteries or power supply in any way. If either becomes deformed, properly dispose of it. Do not short-circuit batteries. Do not attempt to service the BRAVEN yourself. Opening or removing covers may expose you to dangerous voltages or other hazards and will void the manufacturer's warranty. To prevent risk of fire or electric shock, avoid overloading wall outlets, extension cords, or integral convenience receptacles. Your Bluetooth device (mobile phone, music player, tablet, laptop, etc.) must support the A2DP Bluetooth profile in order to work wirelessly with your new BRAVEN speaker. The A2DP profile is supported by most recent mobile products with built-in Bluetooth capability. Please refer to your device's user manual for details and instruction regarding the Bluetooth profiles it supports. This device complies with part 15 of the FCC Rules. Operation is subject to the following two conditions: (1) This device may not cause harmful interference, and (2) this device must accept any interference received, including interference that may cause undesired operation.

NOTE: This equipment has been tested and found to comply with the limits for a Class B digital device, pursuant to part 15 of the FCC Rules. These limits are designed to provide reasonable protection against harmful interference in a residential installation. This equipment generates, uses and can radiate radio frequency energy and, if not installed and used in accordance with the

instructions, may cause harmful interference to radio communications. However, there is no guarantee that interference will not occur in a particular installation. If this equipment does cause harmful interference to radio or television reception, which can be determined by turning the equipment off and on, the user is encouraged to try to correct the interference by one or more of the following measures:—Reorient or relocate the receiving antenna. —Increase the separation between the equipment and receiver. —Connect the equipment into an outlet on a circuit different from that to which the receiver is connected. — Consult the dealer or an experienced radio/TV technician for help.

CAUTION: Any changes or modifications not expressly approved by the party responsible for compliance could void the user's authority to operate the equipment.

FCC RADIATION EXPOSURE STATEMENT: This device complies with FCC radiation exposure limits set forth for an uncontrolled environment.

This device complies with Industry Canada license-exempt RSS standard(s). Operation is subject to the following two conditions: (1) this device may not cause interference, and (2) this device must accept any interference, including interference that may cause undesired operation of the device. Under Industry Canada regulations, this radio transmitter may only operate using an antenna of a type and maximum (or lesser) gain approved for the transmitter by Industry Canada. To reduce potential radio interference to other users, the antenna type and its gain should be so chosen that the equivalent isotropically radiated power (e.i.r.p.) is not more than that necessary for successful communication.

Lithium Battery installed is not intended to be replaced by the USER.

CAUTION: Danger of explosion if battery is incorrectly replaced. Replace only with the same or equivalent type.

Where the MAINS plug is used as the disconnect device, the disconnect device shall remain readily operable.

The device meets the exemption from the routine evaluation limits in section 2.5 of RSS 102 and compliance with RSS-102 RF exposure, users can obtain Canadian information on RF exposure and compliance.



Correct Disposal of this product. This marking indicates that this product should not be disposed with other household wastes throughout the EU. To prevent possible harm to the environment or human health from uncontrolled waste disposal, recycle it responsibly to promote the sustainable reuse of material resources. To return your used device, please use the return and collection systems or contact the retailer where the product was purchased.



This product complies with California Energy Commission efficiency standards for consumer battery chargers.



Hereby, Braven, declares that this device is in

compliance with the essential requirements and other relevant provisions of Directive 2014/53/EU

Operating Frequency Band: 2402 MHz to 2480 MHz
Maximum RF power: 6dBm EIRP

Braven hereby declares that READY PRO is in compliance with Radio Equipment Directive 2014/53/EU. The full text of the EU DoC is available at the following: https://www.braven.com/eu-declaration-of-conformity/****.PDF

Braven follows Safety Instruction for CE-LV. Operate Products not more than -5~40 °C.

Do not install this equipment in a confined or building-in space such as a book case or similar unit, and remain a well ventilation conditions. The ventilation should not be impeded by covering the ventilation openings with items such as newspaper, table-cloths, curtains etc.

WARNING To reduce the risk of fire or electric shock, do not expose this apparatus to rain or moisture. The apparatus shall not be exposed to dripping or splashing and that objects filled with liquids, such as vases, shall not be placed on apparatus.

WARNING: The power adapter is used as disconnect device, the disconnect device shall remain readily operable.

WARNING Please refer the information on exterior bottom enclosure for electrical and safety information before installing or operating the apparatus.

CAUTION: Danger of explosion if battery is incorrectly replaced. Replace only with the same or equivalent type.

The battery (battery or batteries of battery pack) shall not be exposed to excessive heat such as sunshine, fire or the like.

Article 10

2. Manufacturers shall ensure that radio equipment shall be so constructed that it can be operated in at least one Member State without infringing applicable requirements on the use of radio spectrum.

10. In cases of restrictions on putting into service or of requirements for authorisation of use, information available on the packaging shall allow the identification of the Member States or the geographical area within a Member State where restrictions on putting into service or requirements for authorization of use exist. Such information shall be completed in the instructions accompanying the radio equipment. The Commission may adopt implementing acts specifying how to present that information. Those implementing acts shall be adopted in accordance with the advisory procedure referred to in Article 45(2).

Manufacturer: Braven LC.

警告，小心和法律信息

注意：如果您的BRAVEN没有活动的蓝牙®连接并且已经打开，它将在30分钟后关闭。要重新启动BRAVEN，您需要按住电源

- 在您第一次使用BRAVEN之前，
 - 充电单元直到电池
1. 指示灯
 2. 关掉。

音量减小，
跳回（按住）

为了减少火灾或触电的危险，请勿在充电时将BRAVEN暴露在雨中或潮湿环境中。BRAVEN不应暴露于滴水或飞溅，充满液体的物品（如花瓶）不应放置在其上或附近，同时对其他设备进行充电或充电。与任何电子产品一样，请注意不要将液体溅入产品的任何部分。液体会导致故障和/或火灾。电源必须在室内使用。不要对产品或附件进行任何修改。未经授权的更改可能会危及安全性，合规性和系统性能，并将导致保修失效。不要在BRAVEN上或附近放置任何火焰源，如点燃的蜡烛。

警告、注意および法的情報

注：BRAVENに有効なBluetooth®接続がないままにしておくと、30分後にBRAVENが自動的にオフになります。BRAVENを再起動するには、電源を押したままにしておく必要があります

- BRAVENを初めて使用する前に、
 - バッテリーが充電されるまで充電してください
1. インジケータライト
 2. オフになります。

ボリュームダウン、
スキップ戻る（押し続ける）

火災や感電の危険を減らすため、充電中はBRAVENを雨や湿気にさらさないでください。BRAVENは水滴や飛沫にさらされてはいけません。また、花瓶のような液体で満たされた物体は、充電中や充電中にその上や近くに置かないでください。他の電子製品と同様に、製品のどの部分にも液体をこぼさないように注意してください。液体は故障や火災の危険を引き起こす可能性があります。電源は屋内でのみ使用する必要があります。製品や付属品を改造しないでください。許可されていない改造は、安全性、法令順守、システム性能を損なう可能性があり、保証を無効にします。明るいキャンドルなどの炎の源をBRAVENの上または近くに置かないでください。

경고, 주의 및 법적 정보

참고：BRAVEN에 활성 Bluetooth® 연결이 없고 켜져 있으면 30 분 후에 자동으로 꺼집니다. BRAVEN을 다시 시작하려면 전원을 길게 눌러야 합니다.

- BRAVEN을 처음 사용하기 전에,
 - 배터리가 충전 될 때까지 장치를 충전하십시오.
1. 표시 등
 2. 끄다.

볼륨 다운,
건너 뛰기 뒤로 (길게 누르기)

화재 나 감전의 위험을 줄이려면 충전 중에 BRAVEN을 비나 습기에 노출시키지 마십시오. BRAVEN은 물방울이나 물 튀김에 노출되어서는 안되며 꽃병과 같은 액체로 채워진 물건은 다른 장치를 충전하거나 충전하는 동안 그 위에 또는 가까이 두어서는 안됩니다. 다른 전자 제품과 마찬가지로 제품의 어떤 부분에도 액체를 엮지르지 않도록 주의하십시오. 액체는 고장 및 / 또는 화재 위험을 초래할 수 있습니다. 전원 공급 장치는 실내에서만 사용해야 합니다. 제품이나 액세서리를 개조하지 마십시오. 인증되지 않은 변경은 안전, 규정 준수 및 시스템 성능을 저하시킬 수 있으며 보증을 무효화합니다. 밝게 빛난 양초와 같은 불꽃 소스를 BRAVEN 또는 근처에 두지 마십시오.

BRAVEN®



ONLINE:
braven.com



SUPPORT:
braven.com/support



EMAIL:
support@braven.com



PHONE:
1-877-9 BRAVEN (1-877-927-2836)



REGISTER:
braven.com/register