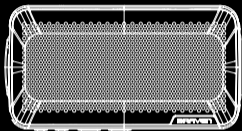


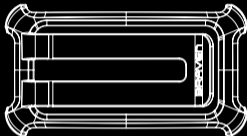
BRAVEN BRAVA

QUICK START GUIDE

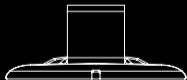
WHAT'S IN THE BOX



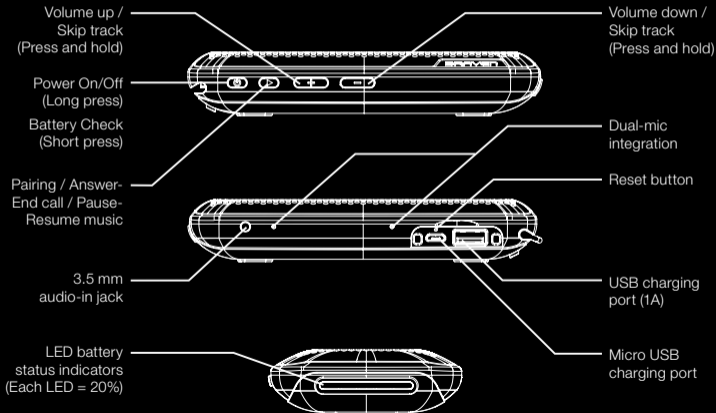
BRAVEN Brava



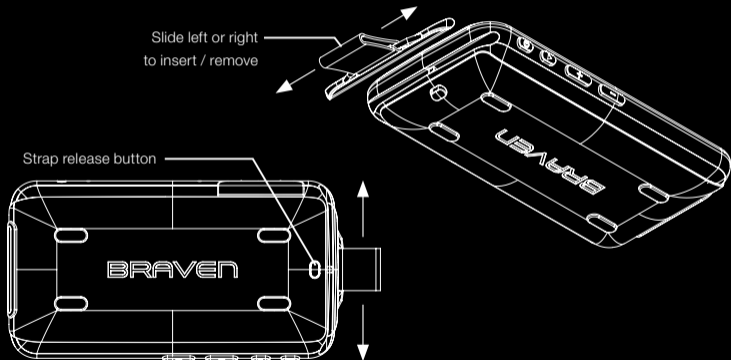
Universal Clip

Optional
Leather StrapMicro USB
Charging Cable

GET TO KNOW YOUR BRAVEN



HOW TO ATTACH / REMOVE LEATHER STRAP



TURN ON & BLUETOOTH® PAIRING



1. Press the Power button for 2-3 seconds to turn on your BRAVEN (BRAVA). Press the same button again for 2-3 seconds to turn your BRAVEN off.



2. Activate Bluetooth® on the phone or device you are pairing with (see your device's instruction manual for information on activating its Bluetooth® settings).



3. Press and hold the Play Button on your BRAVEN until you hear the BRAVEN pairing sound.



4. Go to your phone or device's Bluetooth® settings and select "BRAVEN BRAVA" from the list.

5. If asked for a passcode enter "0000"

Your BRAVEN will remember the last 8 devices it has paired with.

NOTE: If your BRAVEN does not have an active Bluetooth® connection and is left on, it will shut itself off after 30 minutes. To restart your BRAVEN you will need to press and hold the power button for 2-3 seconds.

CHARGING YOUR BRAVEN

- *Before using your BRAVEN for the first time, charge the unit until all 5 Battery indicator lights are solid (not flashing), indicating a full charge (typically 3 to 5 hours).*
- *To charge your BRAVEN, plug the included USB-to-Micro-USB cable into a wall power adapter (not included) or into a powered USB port on a computer. Plug the Micro-USB connector end of the cable into the BRAVEN charging port.*

CHARGING EXTERNAL DEVICES

Your BRAVEN is designed to charge most USB devices that draw from 0.3A - 1A using the full-sized USB port. To use external charging:

- 1. Turn your BRAVEN on.*
- 2. Plug the USB power cable that came with your phone, mp3 player, or other mobile device into the USB port on your BRAVEN.*
- 3. Plug the other end of the cable into your mobile device, and it will immediately begin charging.*

Le présent appareil est conforme aux CNR d'Industrie Canada applicables aux appareils radio exempts de licence. L'exploitation est autorisée aux deux conditions suivantes :

- (1) l'appareil ne doit pas produire de brouillage;
- (2) l'utilisateur de l'appareil doit accepter tout brouillage radioélectrique subi, même si le brouillage est susceptible d'en compromettre le fonctionnement.

Le dispositif rencontre l'exemption des limites courantes d'évaluation dans la section 2.5 de RSS 102 et la conformité à l'exposition de RSS-102 rf, utilisateurs peut obtenir l'information canadienne sur l'exposition et la conformité de rf.

DUAL MIC & NOISE CANCELLATION

- *The BRAVA's dual omnidirectional microphones deliver crystal-clear speakerphone audio within a 5 foot range. Internal noise cancellation technology blocks background interruption for a premium call experience from hello to goodbye.*

REMOVING PAIRED DEVICES

- *BRAVA remembers up to 8 paired Bluetooth® devices. In order to remove paired devices, press*



SPEAKERPHONE

- *Press the Answer-End button on your BRAVEN to answer the call over the speaker. Press the Answer-End button again to end the call.*

RESETTING SPEAKER

- *Hold down Reset Button for 8 seconds to removed stored Bluetooth® devices from speaker. The speaker remembers 8 paired devices.*

WARNINGS, CAUTIONS & LEGAL INFORMATION

To reduce the risk of fire or electric shock, do not expose the BRAVEN to rain or moisture while charging. The BRAVEN should not be exposed to dripping or splashing, and objects filled with liquids, such as vases, should not be placed on or near it while being charged or charging other devices. As with any electronic products, use care not to spill liquids into any part of the product. Liquids can cause a failure and/or a fire hazard. The power supply must be used indoors only. Make no modifications to the product or accessories. Unauthorized alterations may compromise safety, regulatory compliance, and system performance, and will void the warranty. Do not place any flame sources, such as lit candles, on or near the BRAVEN. The BRAVEN contains small parts that may be a choking hazard and is not suitable for children under age 3. Do not continue charging the battery if it does not reach full charge within the specified charging time. Overcharging may cause the battery to become hot, rupture, or ignite. If you see any heat deformation or leakage, properly dispose of the battery. Do not attempt to charge the battery in temperatures outside the range of 32°-104°F (0°-40°C). If the battery begins to leak, do not allow the liquid to come in contact with your skin or eyes. If contact has been made, wash the affected area with plenty of water and seek medical attention immediately. Do not expose the product or battery to excessive heat, including direct sunlight or fire and storage or use inside cars in hot weather, where it can be exposed to temperatures in excess of 115°F (60°C). Doing so may cause the battery and power supply to generate heat, rupture, or ignite. Using the product in this manner also may result in a loss of performance

and a shortened life expectancy. Extended exposure to direct sunlight may damage the external appearance and material qualities. Do not step on, throw, or drop batteries or the power supply or device, or expose them to a strong shock. Do not pierce, crush, dent, or deform the batteries or power supply in any way. If either becomes deformed, properly dispose of it. Do not short-circuit batteries. Do not attempt to service the BRAVEN yourself. Opening or removing covers may expose you to dangerous voltages or other hazards and will void the manufacturer's warranty. To prevent risk of fire or electric shock, avoid overloading wall outlets, extension cords, or integral convenience receptacles. Your Bluetooth device (mobile phone, music player, tablet, laptop, etc.) must support the A2DP Bluetooth profile in order to work wirelessly with your new BRAVEN speaker. The A2DP profile is supported by most recent mobile products with built-in Bluetooth capability. Please refer to your device's user manual for details and instruction regarding the Bluetooth profiles it supports. This device complies with part 15 of the FCC Rules. Operation is subject to the following two conditions: (1) This device may not cause harmful interference, and (2) this device must accept any interference received, including interference that may cause undesired operation.

NOTE: This equipment has been tested and found to comply with the limits for a Class B digital device, pursuant to part 15 of the FCC Rules. These limits are designed to provide reasonable protection against harmful interference in a residential installation. This equipment generates, uses and can radiate radio frequency energy and, if not installed and

used in accordance with the instructions, may cause harmful interference to radio communications. However, there is no guarantee that interference will not occur in a particular installation. If this equipment does cause harmful interference to radio or television reception, which can be determined by turning the equipment off and on, the user is encouraged to try to correct the interference by one or more of the following measures:—Reorient or relocate the receiving antenna. — Increase the separation between the equipment and receiver. —Connect the equipment into an outlet on a circuit different from that to which the receiver is connected. — Consult the dealer or an experienced radio/TV technician for help.

CAUTION: Any changes or modifications not expressly approved by the party responsible for compliance could void the user's authority to operate the equipment.

FCC RADIATION EXPOSURE STATEMENT: This device complies with FCC radiation exposure limits set forth for an uncontrolled environment.

This device complies with Industry Canada license-exempt RSS Operation is subject to the following two conditions: (1) this device may not cause interference, and (2) this device must accept any interference, including interference that may cause undesired operation of the device. Under Industry Canada regulations, this radio transmitter may only operate using an antenna of a type and maximum (or lesser) gain approved for the transmitter by Industry Canada. To reduce potential radio interference to other users, the antenna type and its gain should be so chosen that the

equivalent isotropically radiated power (e.i.r.p.) is not more than that necessary for successful communication.

Lithium Battery installed is not intended to be replaced by the USER.

CAUTION: Danger of explosion if battery is incorrectly replaced. Replace only with the same or equivalent type.

Where the MAINS plug is used as the disconnect device, the disconnect device shall remain readily operable.

The device meets the exemption from the routine evaluation limits in section 2.5 of RSS 102 and compliance with RSS-102 RF exposure, users can obtain Canadian information on RF exposure and compliance.



Correct Disposal of this product. This marking indicates that this product should not be disposed with other household wastes throughout the EU. To prevent possible harm to the environment or human health from uncontrolled waste disposal, recycle it responsibly to promote the sustainable reuse of material resources. To return your used device, please use the return and collection systems or contact the retailer where the product was purchased.



This product complies with California Energy Commission efficiency standards for consumer battery chargers.