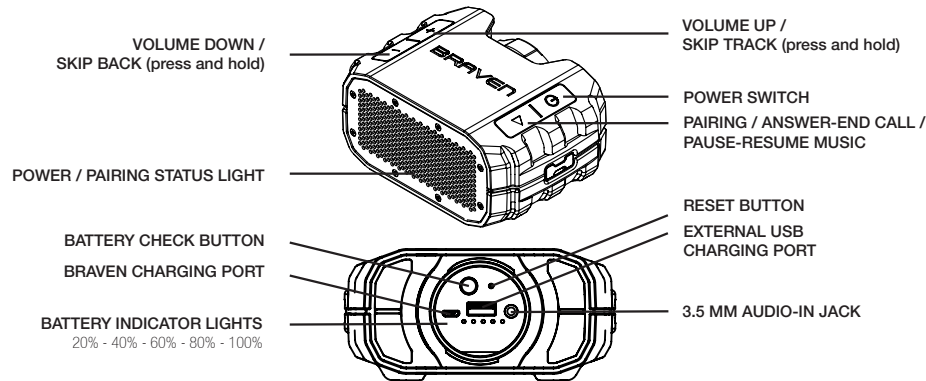


BRAVEN

BRAVEN BRV-1s OWNER'S GUIDE

ENGLISH - PORTUGUÊS - FRANÇAIS - ESPAÑOL - DEUTSCHE - ITALIANO - 简体中文 - 日本語
한국어 - 繁體中文

GET TO KNOW YOUR BRAVEN



TURN ON & BLUETOOTH PAIRING

1. Press the Power button for 2-3 seconds to turn on your BRAVEN (BRV-1s). Press the same button again for 2-3 seconds to turn your BRAVEN off.



2. Activate Bluetooth® on the phone or device you are pairing with (see your device's instruction manual for information on activating its Bluetooth® settings).



3. Press and hold the Play Button on your BRAVEN until you hear the BRAVEN pairing sound.



4. Go to your phone or device's Bluetooth® settings and select "BRAVEN BRV-1s" from the list.



5. If asked for a passcode enter "0000"

Your BRAVEN will remember the last 8 devices it has paired with.

NOTE: If your BRAVEN does not have an active Bluetooth® connection and is left on, it will shut itself off after 30 minutes. To restart your BRAVEN you will need to press and hold the power button for 2-3 seconds.

CHARGING YOUR BRAVEN

- *Before using your BRAVEN for the first time, charge the unit until all 5 Battery Capacity lights are solid (not flashing), indicating a full charge (typically 2 to 3 hours).*
- *To charge your BRAVEN, plug the included USB-to-Micro-USB cable into a wall power adapter (not included) or into a powered USB port on a computer. Plug the Micro-USB connector end of the cable into the BRAVEN charging port.*

CHARGING EXTERNAL DEVICES

Your BRAVEN is designed to charge USB devices that draw from 0.3A - 1A (most cell phones & mp3 players – tablets and other 2A devices cannot be charged by your BRV-1s) using the full-sized USB port located behind the cap. To use external charging:

1. *Turn your BRAVEN on.*
2. *Plug the USB power cable that came with your phone, mp3 player, or other mobile device into the USB port on your BRAVEN.*
3. *Plug the other end of the cable into your mobile device, and it will immediately begin charging.*

WATERPROOF FEATURES

- *The BRV-1s is IPX7 Waterproof, and is designed to withstand rainfall, water jets, and water splashing.*
- *IMPORTANT - To ensure your BRAVEN BRV-1s speaker is prepared for use in a wet environment, remove all cable connections and tightly close the rear water cap. If the water cap is not properly closed, the BRV-1s will not be water resistant.*

SPEAKERPHONE

- *Press the Answer-End button on your BRAVEN to answer the call over the speaker. Press the Answer-End button again to end the call.*

FCC Statement

This equipment has been tested and found to comply with the limits for a Class B digital device, pursuant to Part 15 of the FCC Rules. These limits are designed to provide reasonable protection against harmful interference in a residential installation. This equipment generates use and can radiate radio frequency energy and, if not installed and used in accordance with the instructions, may cause harmful interference to radio communications. However, there is no guarantee that interference will not occur in a particular installation. If this equipment does cause harmful interference to radio or television reception, which can be determined by turning the equipment off and on, the user is encouraged to try to correct the interference by one of the following measures:

- Reorient or relocate the receiving antenna.
- Increase the separation between the equipment and receiver.
- Connect the equipment into an outlet on a circuit different from that to which the receiver is connected.
- Consult the dealer or an experienced radio / TV technician for help.

FCC Notice

This device complies with Part 15 of the FCC Rules.

Operation is subject to the following two conditions:

- 1 This device may not cause harmful interference, and
- 2 This device must accept any interference received, including interference that may cause undesired operation.

FCC ID: Z7RBRV1S IC : 10013A-BRV1S

To locate the FCC and IC identification numbers, please look on the underside of the Rave.

§ 15.21 Changes or modification warning

Any Changes or modifications not expressly approved by the party responsible for compliance could void the user's authority to operate the equipment.

IC Statement

This device complies with Industry Canada licence-exempt RSS standard(s). Operation is subject to the following two conditions: (1) this device may not cause interference, and (2) this device must accept any interference, including interference that may cause undesired operation of the device.

Under Industry Canada regulations, this radio transmitter may only operate using an antenna of a type and maximum (or lesser) gain approved for the transmitter by Industry Canada. To reduce potential radio interference to other users, the antenna type and its gain should be so chosen that the equivalent isotropically radiated power (e.i.r.p.) is not more than that necessary for successful communication.

Conformément à la réglementation d'Industrie Canada, le présent émetteur radio peut fonctionner avec une antenne d'un type et d'un gain maximal (ou inférieur) approuvé pour l'émetteur par Industrie Canada. Dans le but de réduire les risques de brouillage radioélectrique à l'intention des autres utilisateurs, il faut choisir le type d'antenne et son gain de sorte que la puissance isotrope rayonnée équivalente (p.i.r.e.) ne dépasse pas l'intensité nécessaire à l'établissement d'une communication satisfaisante.

Le présent appareil est conforme aux CNR d'Industrie Canada applicables aux appareils radio exempts de licence. L'exploitation est autorisée aux deux conditions suivantes : (1) l'appareil ne doit pas produire de brouillage, et (2) l'utilisateur de l'appareil doit accepter tout brouillage radioélectrique subi, même si le brouillage est susceptible d'en compromettre le fonctionnement.

BRAVEN



ONLINE: www.braven.com



MANUAL: www.braven.com/manuals



SUPPORT: www.braven.com/support



EMAIL: support@braven.com



PHONE: 1-877-9 BRAVEN (1-877-927-2836)



TUTORIALS: www.braven.com/tutorials