

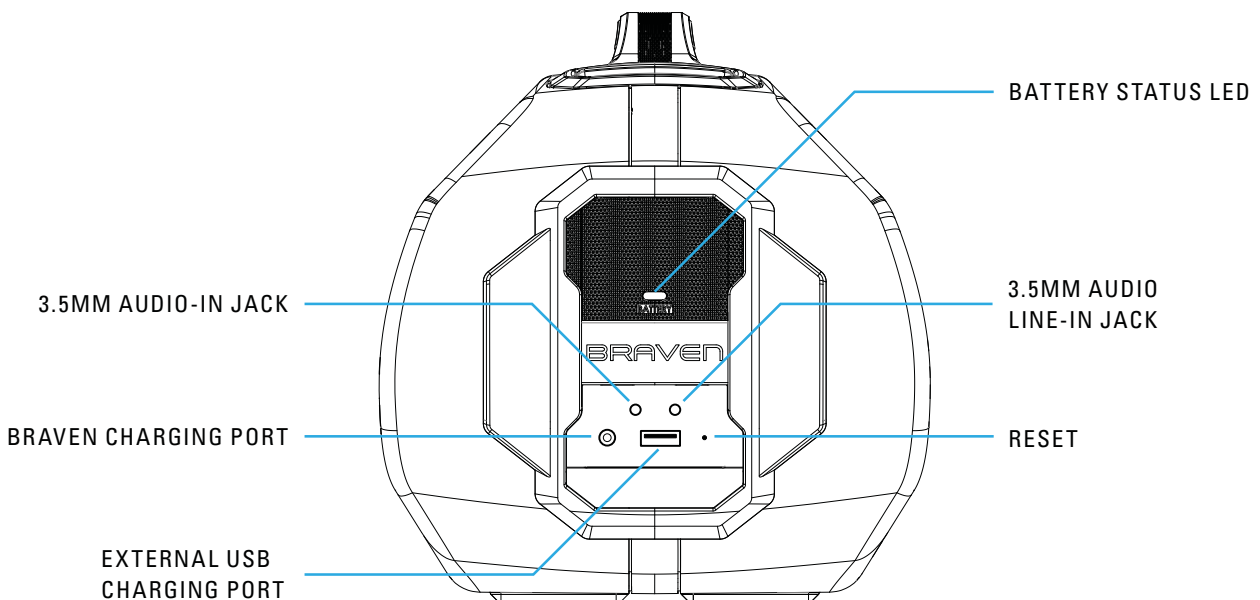
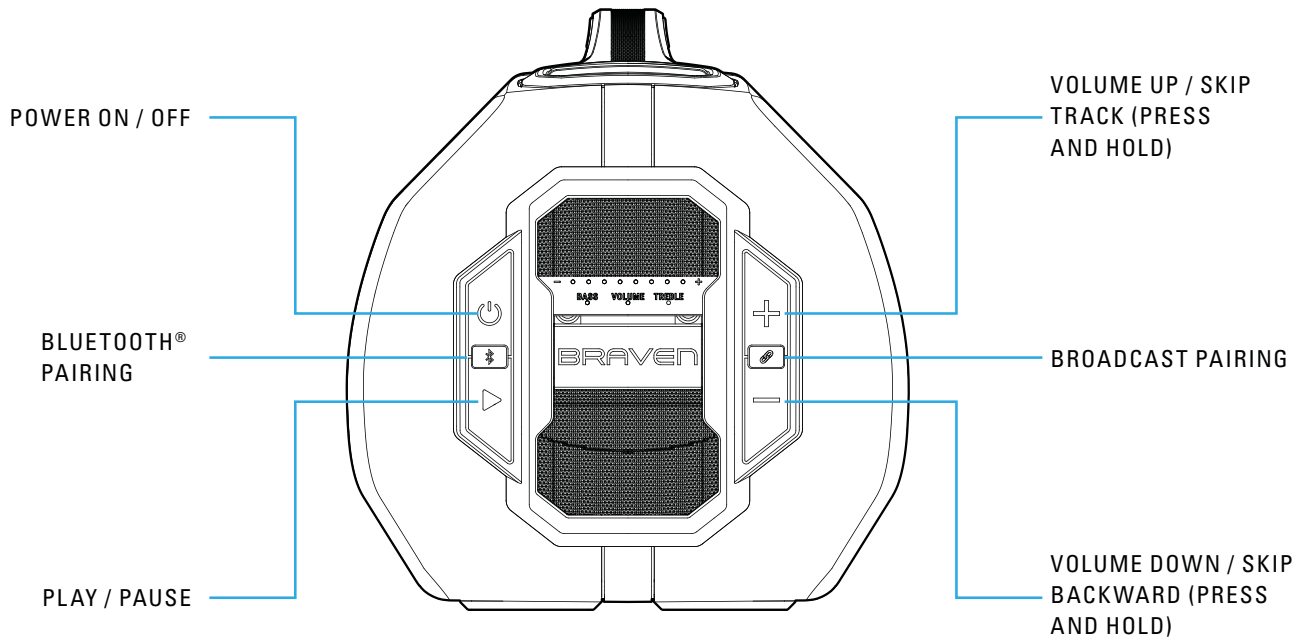
BRAVEN®

BRV-XXL/2™

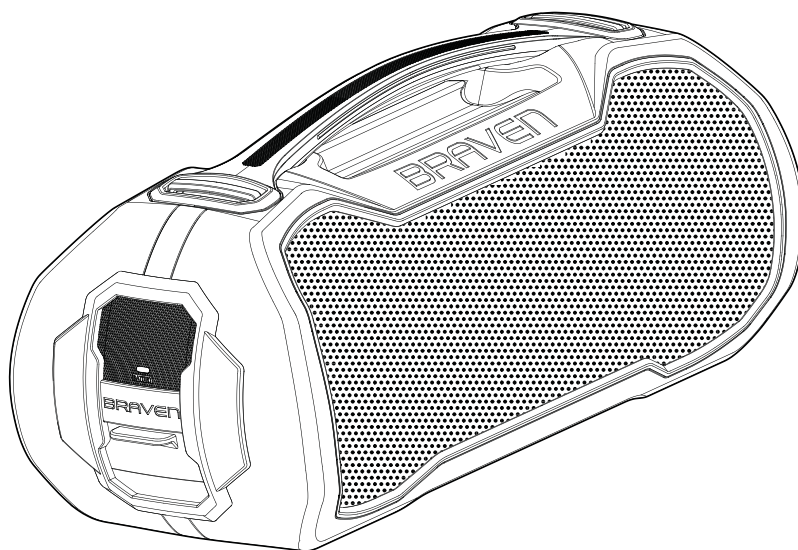


USER GUIDE

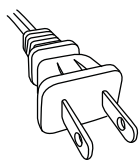
GET TO KNOW YOUR BRAVEN



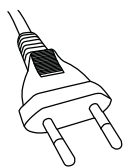
IN THE BOX



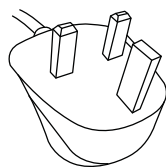
B RV-XXL/2 SPEAKER



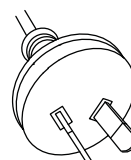
NORTH AMERICAN
POWER CORD



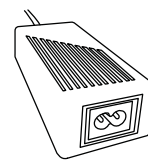
TUV POWER CORD



BS POWER CORD



SAA POWER CORD



22V, 4A POWER
SUPPLY

POWER & BLUETOOTH PAIRING

1. Press the power button for 2–3 seconds to turn your BRV-XXL/2 on or off.
2. Toggle Bluetooth® on in your device settings. For further instruction on how to do so, please refer to the user manual included with your mobile device.
3. Your speaker will automatically enter pairing mode when powered on. Pair a second device by pressing and holding the Bluetooth® button for 2–3 seconds until you hear the audio cue. Go to your device's Bluetooth® settings and select "BRV-XXL/2" from the list.

Your BRAVEN will remember the last 8 devices it has paired with.

NOTE: If your BRAVEN is left on with an inactive Bluetooth® connection for 2 hours, it will automatically power off. Power your BRAVEN on again by pressing and holding the power button for 2–3 seconds.

VOLUME & PLAYBACK CONTROL

Increase volume by quick pressing the "+" button, or decrease volume by quick pressing the "-" button. An audio cue will indicate when you've reached max volume.

Skip to the next track by long pressing the "+" button, or play the previous track by long pressing the "-" button.

USING THE BRAVEN TEAM MODE APP

Download the **BRAVEN TEAM MODE** app from Google Play or the App Store to customize your listening experience.



CHARGING YOUR BRAVEN

Before using your BRV-XXL/2 for the first time, fully charge your speaker until the battery indicator light stays solid green.

Charge your BRV-XXL/2 by inserting the power adapter into a wall outlet. Next, plug the other end of the power cable into the charging port on the back of the speaker.

MONITORING BATTERY LEVEL: Use the Battery Status LED to monitor your speaker's battery level. Red = 0–15%, Yellow = 16–40%, Blinking Green = 41%–99%, Solid Green = 100%

CHARGING EXTERNAL DEVICES

Your BRAVEN can charge most USB-enabled smartphones and tablets using the 0.3A–2.4A full-size USB port.

To use external charging:

1. Turn your BRAVEN on.
2. Plug your USB power cable into the USB port on the back of your BRAVEN.
3. Insert the other end of the cable into your device to immediately begin charging.

SPEAKERPHONE

Press the play button on your BRAVEN to answer and end calls over the speakerphone.

WATERPROOF FEATURES

The BRV-XXL/2 is IPX5 waterproof certified, designed to withstand rainfall, waterjets or splashing.

IMPORTANT: Ensure your BRV-XXL/2 is prepared for use in a wet environment by removing all cable connections and tightly sealing the port cover. If the cover is not securely fastened, your BRAVEN may sustain water damage.

USING BROADCAST PAIRING

Broadcast pairing (or Team Mode) allows you to wirelessly pair up to 100 BRV-XXL/2 speakers.

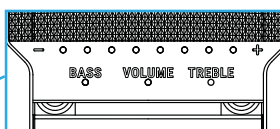
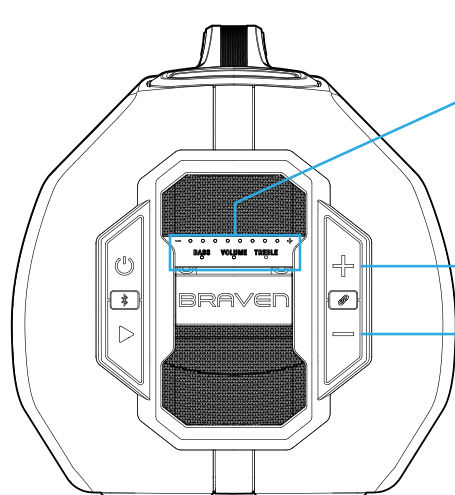
Follow the steps below to manually pair multiple BRV-XXL/2 units together:

1. Turn on all speakers
2. Bluetooth® pair first speaker (Primary Speaker)
 1. Ensure your phone's Bluetooth® is turned on.
 2. Long press the Bluetooth® button on the speaker.
 3. Voice will say "Bluetooth® pairing".
 4. Select "BRV-XXL/2" on your device.
 5. You will hear "Bluetooth® connected".
3. Begin Broadcast Pairing
 1. On Primary Speaker, long press the broadcast button until you hear "broadcast primary pairing".
4. Continue Broadcast Pairing
 1. On the Secondary Speaker, double press the broadcast button until you hear "broadcast secondary pairing".
 2. Then, you will hear both Primary and Secondary Speakers say "broadcast pairing connected".
 3. Repeat points 1 and 2 within step 4 for each additional speaker.
5. Enjoy Your Tunes
 1. The distance between your device and the Primary Speaker will work up to 200 feet in a direct line of sight.
 2. Secondary Speakers stem off of the Primary Speaker and will optimally work between 50–60 feet.

RESETTING YOUR BRAVEN

Reset your BRV-XXL/2 to its original factory settings by pressing the reset button under the back cover for 8–10 seconds.

VOLUME / BASS / TREBLE CONTROL



With your BRV-XXL/2 powered on, quick press the **power button** to toggle between **Volume**, **Treble** and **Bass** modes. A corresponding LED will indicate which mode you are on.

Press the "+" to increase the volume / bass / treble level.

Press the "-" to decrease the volume / bass / treble level.