

# NMK Rotary Oven



BKI-Europe  
Theale Technology Centre  
Station Road  
Theale  
Reading  
West Berks  
RG7 4AA


Phone: 0870 990 4242 • Fax: 0870 990 4243 • [www.bkideas.com](http://www.bkideas.com)

Printed in England CJM/NMKIM04006



Theale Technology Centre, Station Road, Theale, Reading, West Berks RG7 4AA  
Phone: 0870 990 4242 • Fax: 0870 990 4243 • [www.bkideas.com](http://www.bkideas.com)

<b><u>SECTION</u></b>	<b><u>PAGE</u></b>
1. GENERAL.....	3
2. SITE REQUIREMENTS.....	4
3. CLEARANCES.....	4-5
4. EXTRACTION.....	6
5. ELECTRICAL CONNECTION.....	7
6. SUPPLY CABLE - CONNECTION.....	8
7. OPERATING.....	9
8. SAFETY CUT-OUT (RE-SET).....	10
9. GENERAL DIMENSION.....	11
10. WIRING DIAGRAM.....	12

BKI ROTARY OVENS ARE MANUFACTURED ACCORDING TO THE FOLLOWING STANDARD: BSEN 60 335-2-42: 2002 

**NOTICE : SAFETY CUT-OUT**

For added safety all Rotary Ovens have a built in thermal cut-out to protect against over-heating through component failure or incorrect use.

If for any reason the thermal cut-out operates, the oven will automatically shut down and should be switched `OFF` disconnected from the mains and allowed to cool.

**NOTE: THE THERMAL CUT-OUT WILL NOT RESET AUTOMATICALLY.**

The oven must not be re-used until it has been checked by a Qualified electrician or BKI Appointed Service Agent.

## NOTES

## GENERAL NOTES & INFORMATION

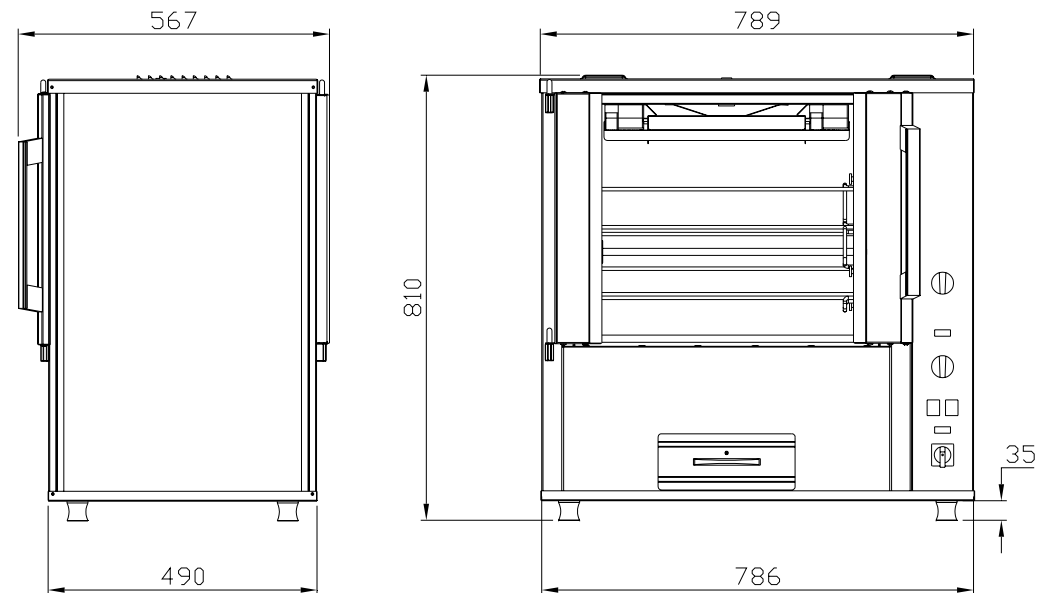
Your `NMK` rotary display oven has been completely assembled and tested before despatch.

It has been packed for safe shipment to you premises. Meatforks and other accessories may have been packed separately, check all parts and accessories against delivery note.

Before connecting to the power supply, ensure that all fittings and packaging have been removed.

**Table 1. TECHNICAL DATA**

MODEL	HEIGHT mm	WIDTH mm	DEPTH mm	MEAT- FORKS	BASKETS	PHASE	VOLTS	Kw	Amps	WEIGHT Nett	Kg Gross
NMK	810	786	490	3	3	1ph	230	2.9	12.5	72	82



## GENERAL DIMENSIONS

## SITE REQUIREMENTS

Refer to the appropriate general dimensions drawing for detail and dimensions of of model supplied (See Table 1. or General Dimensions - Page 12)

It is essential that this oven is installed in accordance with these instruction and the installer is drawn to the following points:

- It is important that the counter top or base unit is level and can support the full weight of the oven and its contents. Refer to Table 1 - Technical Data.
- For all types of installation it is important that adequate clearance is provided for ventilation and servicing of this appliance.
- It is recommended that this oven is sited on a stainless steel mobile base for maximum service and cleaning access.
- Toughened glass doors are fitted to both sides of the oven for maximum visual display and cleaning access. Door handles are fitted to the operators side door only; customer side door handles are available as an optional extra.
- It is important that adequate clearance is provided to enable doors to open fully for safe loading and unloading of food items and oven removable

## CLEARANCES

### WARNING - HEALTH & SAFETY

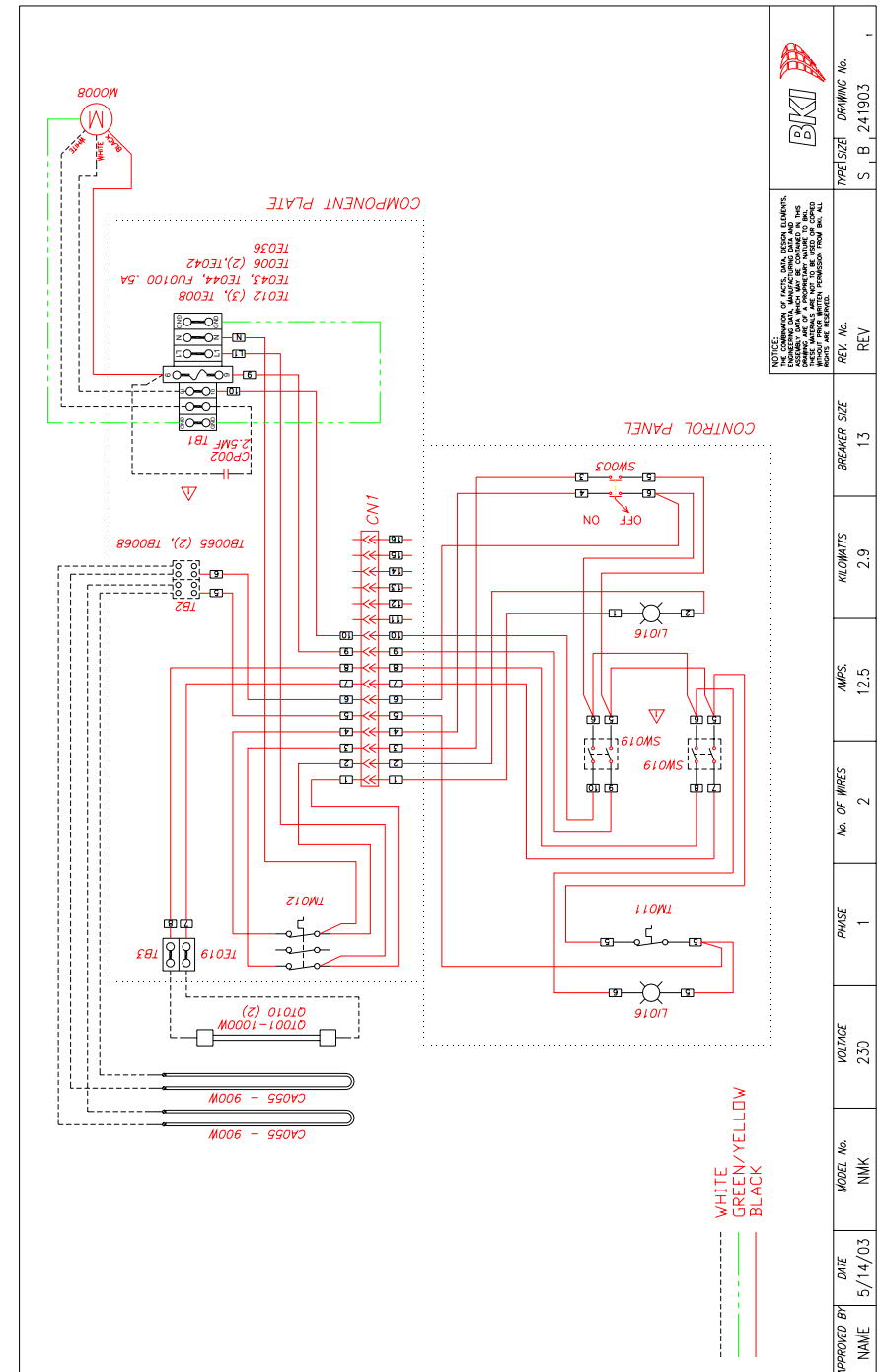
Observe all safety warning labels affixed to this appliance.

We strongly recommended that careful consideration be given to the siting of this piece of equipment in order to prevent accidental contact with hot surfaces.

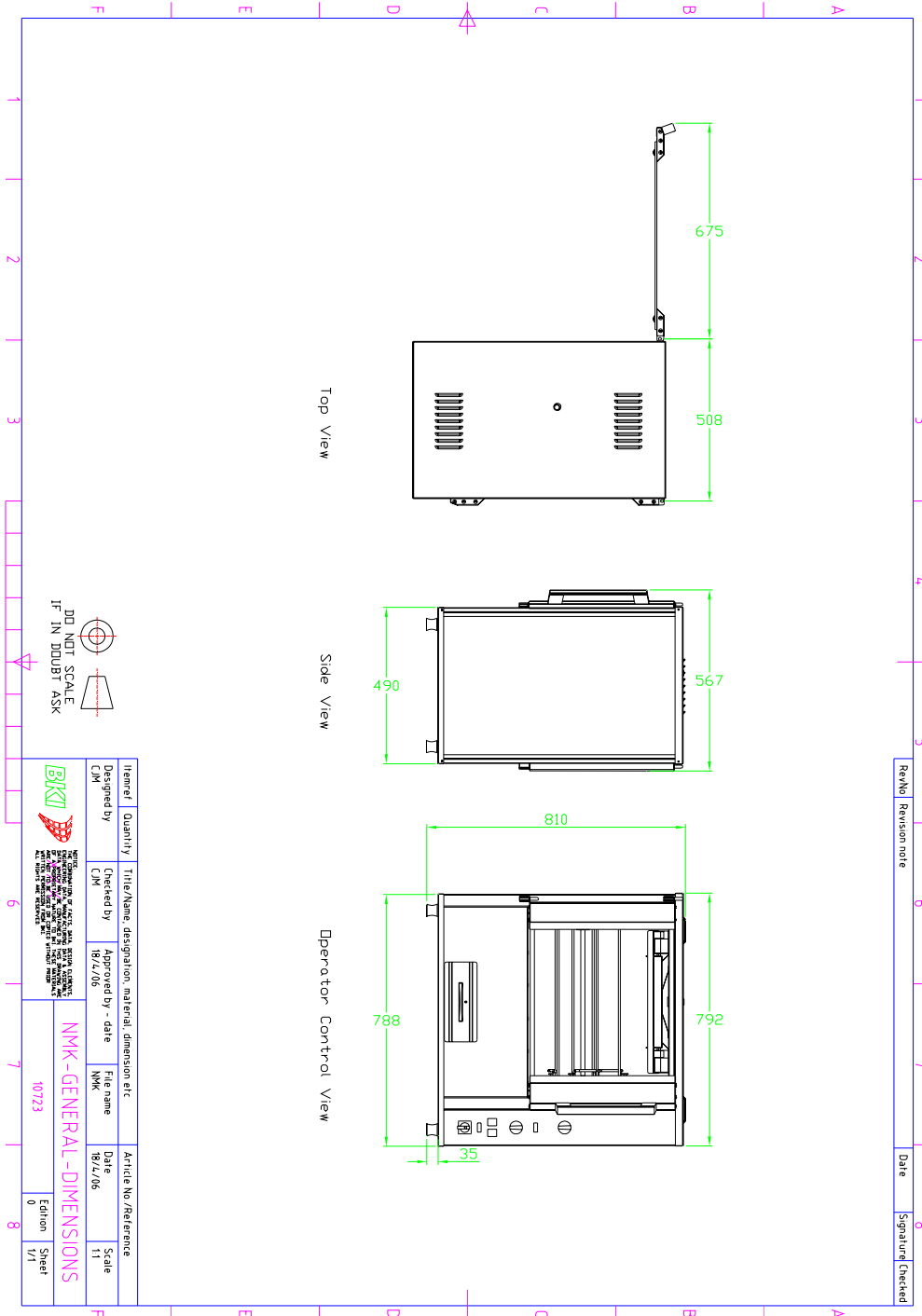
The equipment is insulated but we cannot prevent certain surfaces such as glass etc reaching temperatures, which can cause minor burns on contact.

**PLEASE HELP PREVENT ACCIDENTS AND PROTECT THE SAFETY OF YOUR STAFF AND CUSTOMERS**

## WIRING DIAGRAM



# GENERAL DIMENSIONS



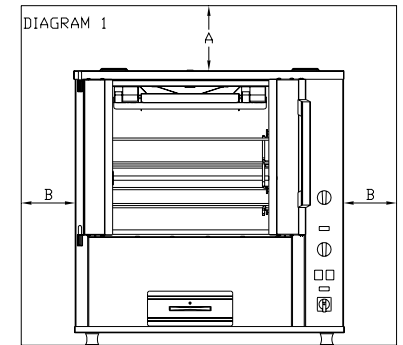
# CLEARANCES

- Restrictions must not be placed on or around this oven. Keep all ventilation slots free from obstruction.
- Do not remove the rubber feet fitted to this oven.
- Refer to diagrams 1 & 2 for minimum recommended clearances required from a combustible surface.

## Minimum Distance from Combustible Surface

<b>A</b>	<b>TOP</b>	<b>12"/305mm</b>
<b>B</b>	<b>SIDE</b>	<b>2"/50mm</b>

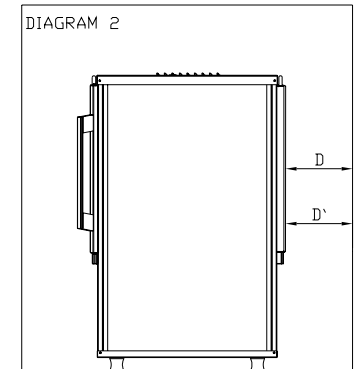
**NOTE: DO NOT REMOVE RUBBER FEET**



## Minimum Distance from Combustible Surface

<b>D</b>	<b>GLASS/DOOR WALL</b>	<b>6"/152mm</b>
<b>D'</b>	<b>GLASS DOOR/WINDOW (SHOP FRONT)</b>	<b>12"/305mm</b>

**NOTE: DO NOT REMOVE RUBBER FEET**



## EXTRACTION

---

Extraction is not a specific requirement for this type of appliance.

Certain conditions e.g.

Installation in a confined space, temperature controlled environment, continuous use or high volume production cooking may require the need for ventilation or extraction.

Consult your local Ventilation/Extraction, Air conditioning company or contact the Technical Services Department at BKI.

## ELECTRICAL CONNECTION

---

This appliance requires a 230V,50Hz single phase + Neutral + Earth power Supply.

### **WARNING - THIS APPLIANCE MUST BE EARTHED**

- Each appliance is despatched with an electrical test certificate.
- Check the details shown on the appliance data rating plate against the certificate supplied.
- Check that the voltage shown on the data plate and test certificate conforms with your power supply.

If the details do not conform contact the Technical Services Department at BKI

BKI Europe  
Theale Technology Centre  
Station Road  
Theale  
Reading  
West Berkshire  
RG7 4AA  
Tel: (44) 0870 990 4242  
Fax: (44) 0870 990 4243

Web: [www.bkideas.com](http://www.bkideas.com)

## Safety Cut-Out - Re-Set Button

---

If the safety thermal cut-out operates, first check that the oven has been installed properly and is operated and cleaned in accordance with the installation and operating instructions.

- Turn the mains switch `OFF`, disconnect oven from mains power supply.
- Refer to the relevant wiring diagram and check all components and controls before re-setting the safety thermal cut-out.
- The safety thermal cut-out is located within the oven control panel compartment. Reset the thermal cut-out as follows:-
  1. Remove the two side panel securing screws, slide the panel `Up` and `Out` at the bottom.
  2. The safety thermal cut-out is sited towards the top left of the component plate.
  3. Press hard on the `Red` re-set button on top of the thermal cut-out (allow time for the oven to cool down).
  4. Replace side panel and check oven operation.

### **WARNING:**

**REPEATED OPERATION OF THE SAFETY THERMAL CUT-OUT IS A CLEAR INDICIAION OF COMPONENT FAILURE OR MISUSE. SERIOUS DAMAGE WILL OCCUR IF THE CAUSE IS NOT IDENTIFIED AND RECTIFIED.**

## OPERATING

---

Please read the operating instructions thoroughly and ensure all packaging has been removed before switching mains power "ON".

### IMPORTANT:

Ensure that who-ever is operating this appliance is fully conversant with its working and is made aware of the dangers of incorrect operation.

If the operating manual is not available with the appliance, please contact the Technical Services Department at BKI (See page 6)

### Safety Cut-Out

---

For added safety `NMK` rotary ovens have a built in thermal cut-out to protect against overheating through component failure or incorrect use.

If for any reason the thermal cut-out operates the oven will automatically shut down and should be switched `OFF`, disconnected from the mains and allowed to cool.

### NOTE: THE THERMAL CUT- OUT WILL NOT RESET AUTOMATICALLY

The oven must not be re-used until it has been checked by a qualified electrician or BKI appointed service agent.

## ELECTRICAL CONNECTION

---

- Single phase appliances fitted with a power supply cable having a rated input **Not exceeding 3kW** may be connected to a suitable power supply by means of a BS 1363 ASTA approved 13 amp plug fitted with a BS 1362 fuse.
- Do not use an adaptor or extension lead, plug directly into a 13 amp socket outlet.
- Check the appliance data rating plate and test certificate for appliance fuse rating.
- Where a 13 amp plug is required, please follow the instructions below:


**WARNING - THIS APPLIANCE MUST BE EARTHED**

### IMPORTANT:

The wires in the mains lead are coloured in accordance with the following code:

GREEN & YELLOW	EARTH
BLUE	NEUTRAL
BROWN	LIVE

As the conductors in the equipment mains lead may not correspond with the coloured markings of the terminals in your plug, proceed as follows:

The wire that is coloured green & yellow must be connected to the terminal in the plug that is marked with the letter E or by the Earth symbol  or coloured green or green & yellow.

The wire that is coloured blue must be connected to the terminal that is marked with the letter N or coloured black.

The wire that is coloured brown must be connected to the terminal that is marked with the letter L or coloured red.

## ELECTRICAL CONNECTION

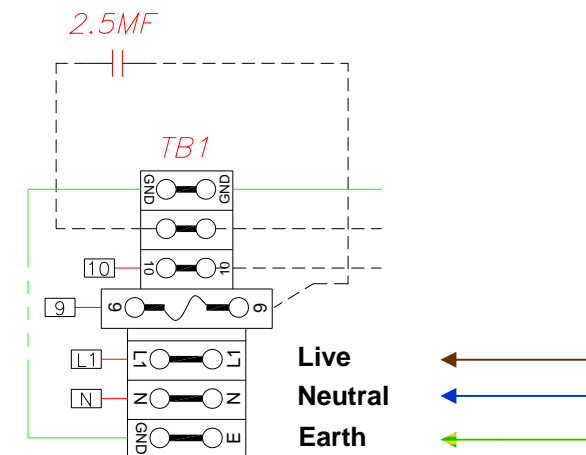
- **IMPORTANT:** If this appliance is not connected to an electrical supply by means of a BS 1363 13 amp plug it must be connected to a suitable electrical supply by a qualified electrician in accordance with the latest edition of the I.E.E WIRING REGULATIONS.
- **NOTE:** A method of disconnection from the mains supply having a contact separation of at least 3mm in all poles must be incorporated in the fixed wiring.
- It is recommended that an R.C.D device with a 30ma trip and contact rating to suit the appliance current is installed adjacent to the appliance.
- Type 3 circuit breakers or appropriate rated fuses are recommended for installation at the supply end.
- **NOTE:** High surge currents are present when this appliance is switched on from cold.
- Industrial plugs and sockets must comply with BS 4343/EN60.309 (IEC309.2/CEE17).
- It is recommended that the supply cable shall be an oil resistance sheathed flexible cable to BS 6500 1990 table 6 (code designation HO5 RN-F).
- If the appliance power supply cord is damaged or changed it must be replaced to the above standard and must not be longer than 2 metres between appliance inlet and plug or socket outlet.
- It is required that, in the power supply cable connection to the appliance terminal block; the earth conductor is to be made at least 50mm longer than the length of the live (L) and neutral (N) conductors, so that if the cable is strained the earth conductor is the last to become disconnected.
- For appliances with a rated current upto and including 16amps, 1.5mm<sup>2</sup> cable should be used.

## SUPPLY CABLE - CONNECTION

- To gain access to the control panel and terminal connection block, remove the two side panel securing screws, slide the panel "up" and "out" at the bottom.
- The terminal connection block is sited toward the the bottom left hand side of the control box. Cable entry is provided through the base of the oven.
- Refer to terminal connection block diagram for correct connection.

### NMK MAINS BLOCK

Supply rail connections - 230V, Single Phase



**WARNING - THIS APPLIANCE MUST BE EARTHED**