

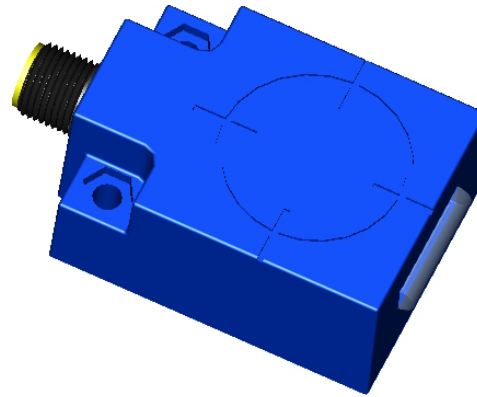
COBALT C0405-232-01

High Frequency Passive Radio Frequency, Identification Controller

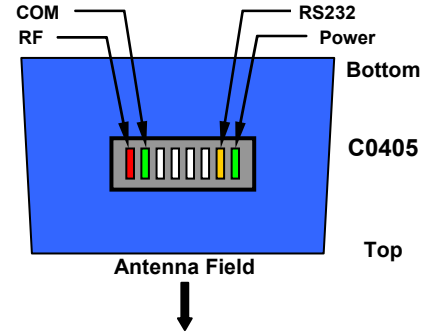
QUICK REFERENCE GUIDE

This document provides instructions and information designed to assist users in the hardware setup of the Cobalt C0405-232-01 RFID Controller. For configuration details download the C-Series Reference Manual from the product page at www.automation.datalogic.com.

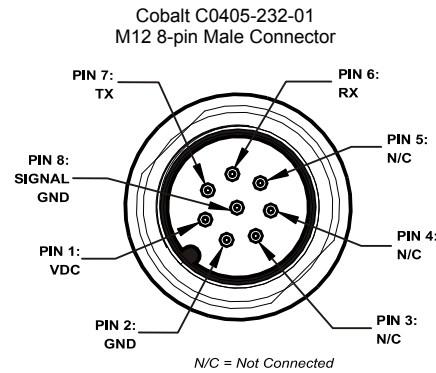
GENERAL VIEW



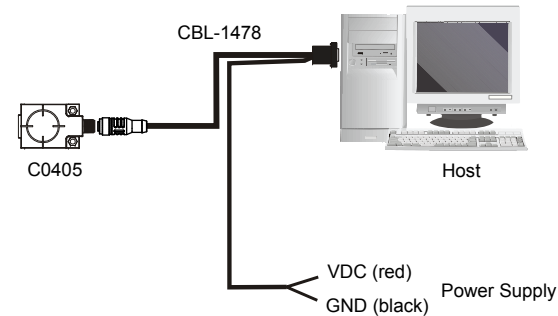
LED INDICATORS



CONNECTIVITY



Typical Layout

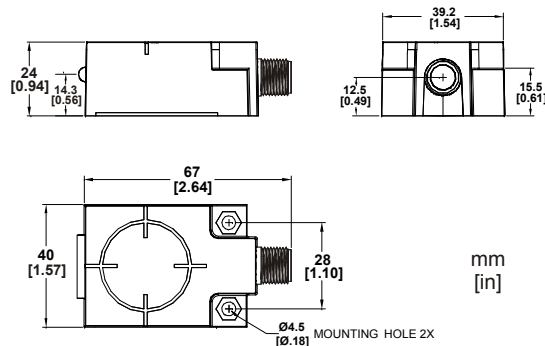


See the C-Series Reference Manual for a complete list of accessories including alternative cables and connectors.

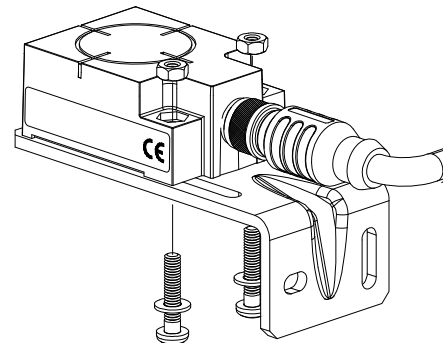
TECHNICAL FEATURES

ELECTRICAL FEATURES	
Power Supply	10 to 30 VDC
DC Input Current	150 to 60 mA
Communication Interface	RS232
RADIO FEATURES	
Frequency	13.56 MHz
Air Protocols	ISO 14443A, ISO 15693
ENVIRONMENTAL FEATURES	
Operating Temperature	-20° to +50 °C (-4° to +122 °F)
Storage Temperature	-20° to +70 °C (-4° to +158 °F)
Humidity max.	90% non condensing
Vibration Resistance EN 60068-2-6	14 mm @ 2 to 10 Hz; 1.5 mm @ 13 to 55 Hz; 2 g @ 70 to 200 Hz; 2 hours on each axis
Shock Resistance EN 60068-2-27	30 g; 11 ms; 3 shocks on each axis
Protection Class EN 60529	IP67
PHYSICAL FEATURES	
Dimensions	67 x 40 x 24 mm (2.64 x 1.57 x .94 in)
Weight	47 g (1.7 oz)
USER INTERFACE	
LED Indicators	RF, COM, Operating Mode/Diagnostic, Power

MECHANICAL DIMENSIONS



MOUNTING



INSTALLATION GUIDELINES

- Select a suitable location to mount the C0405 Controller. C0405 Series RFID Controllers can be mounted to wood or plastic fixtures. The C0405 may be mounted horizontally or vertically, but should be aligned in such a manner that the LED indicators can be seen during operation.
- RF performance and read/write range can be negatively impacted by the proximity of metallic objects. Avoid mounting the controller within 5 cm (2 in.) of any metallic object or surface.
- Do not route cables near other unshielded cables or near wiring carrying high voltage or high current. Cross cables at perpendicular intersections and avoid routing cables near motors and solenoids.
- Avoid mounting the controller near sources of EMI (electro-magnetic interference) or near devices that generate high ESD (electro-static discharge) levels. Always use adequate ESD prevention measures to dissipate potentially high voltages.
- If electrical interference is encountered (as indicated by a significant reduction in read/write performance), relocate the controller to an area free from potential sources of interference.
- When installing multiple RFID controllers that operate at the same frequency (13.56 MHz), maintain a minimum distance of 20 cm (8 in.) between adjacent RF devices.

INSTALLATION

- Attach the C0405 Controller to the polycarbonate mounting bracket (for metallic isolation) using the two sets of M4 screws, washers and nuts provided as shown in the mounting figure. Fasten the other end of the mounting bracket to your work area. Tighten all screws to 0.7 Nm (6 lbs per inch).
- Connect the CBL-1478 M12 8-pin female connector to the M12 8-pin male connector on the C0405. Connect the CBL-1478 9-pin female D-sub connector to an RS232 COM port on the host computer. Tighten the cable's two locking thumbscrews.
- Connect the power supply to the VDC (red) and GND (black) wires on the CBL-1478 cable.
- Apply power to the controller after all cable connections have been made. The LEDs on the unit will flash.
- On the host computer, set COM port parameters to: 9600 baud, 8 data bits, 1 stop bit, no parity and no handshaking.

To verify operations, download the Cobalt Dashboard™ Utility from www.automation.datalogic.com. The Cobalt Dashboard™ Utility allows users to configure and control their C0405 controllers and send RFID commands for testing purposes.

UPDATES AVAILABILITY

UK/US	The latest documentation updates for this product are available on Internet. Log on to: www.automation.datalogic.com
I	Su Internet sono disponibili le versioni aggiornate di documentazione di questo prodotto. Collegarsi a: www.automation.datalogic.com
F	Les versions mises à jour de documentation de ce produit sont disponibles sur Internet. Cliquez sur: www.automation.datalogic.com
D	Im Internet finden Sie die aktuellsten Versionen der Dokumente zu diesem Produkt. Adresse: www.automation.datalogic.com
E	En Internet están disponibles las versiones actualizadas de la documentación de este producto. Dirección Internet: www.automation.datalogic.com

SERVICES AND SUPPORT

Datalogic provides several services as well as technical support through its website. Log on to www.automation.datalogic.com and click on the [links](#) indicated for further information:

• PRODUCTS

Search through the links to arrive at your product page which describes specific Info, Features, Applications, Models, Accessories, and Downloads including the [Cobalt Dashboard™](#) utility program, which allows system testing, monitoring, and configuration using a PC. It provides Serial (RS232 or USB) and Ethernet interface configuration.

• SERVICE

- **Overview** - Warranty Extensions and Maintenance Agreements
- **Sales Network** - Listing of Subsidiaries, Repair Centers, Partners
- **Helpdesk**
- **Material Return Authorization**

COMPLIANCE

This product is intended to be installed by Qualified Personnel only.

This product must not be used in explosive environments.

See the C-Series Reference Manual for the Declaration of Conformity.

Power Supply

This device is intended to be supplied by a UL Listed or CSA Certified Power Unit with «Class 2» or LPS power source.

Radio Compliance

ENGLISH

Contact the competent authority responsible for the management of radio frequency devices of your country to verify any possible restrictions or licenses required.

For further information, refer to the web site:

<http://ec.europa.eu/enterprise/sectors/rtte/>

ITALIANO

Prendi contatto con l'autorità competente per la gestione degli apparati a radio frequenza del tuo paese, per verificare eventuali restrizioni o licenze.

Ulteriori informazioni sono disponibili sul sito:

<http://ec.europa.eu/enterprise/sectors/rtte/>

FRANÇAIS

Contactez l'autorité compétente en la gestion des appareils à radio fréquence de votre pays pour vérifier d'éventuelles restrictions ou licences. Pour tout renseignement vous pouvez vous adresser au site web:

<http://ec.europa.eu/enterprise/sectors/rtte/>

DEUTSCH

Wenden Sie sich an die für Radiofrequenzgeräte zuständige Behörde Ihres Landes, um zu prüfen ob es Einschränkungen gibt, oder eine Lizenz erforderlich ist.

Weitere Informationen finden Sie auf der Web Seite:

<http://ec.europa.eu/enterprise/sectors/rtte/>

ESPAÑOL

Contacta la autoridad competente para la gestión de los dispositivos de radio frecuencia de tu país, para verificar cualesquiera restricciones o licencias posibles requerida.

Además se puede encontrar mas información en el sitio:

Web: <http://ec.europa.eu/enterprise/sectors/rtte/>



FCC Compliance

Modifications or changes to this equipment without the expressed written approval of Datalogic could void the authority to use the equipment.

This device complies with PART 15 of the FCC Rules. Operation is subject to the following two conditions: (1) This device may not cause harmful interference, and (2) this device must accept any interference received, including interference which may cause undesired operation.

FCC ID: E36-0005

This equipment has been tested and found to comply with the limits for a Class A digital device, pursuant to Part 15 of the FCC Rules. These limits are designed to provide reasonable protection against harmful interference when the equipment is operated in a commercial environment. This equipment generates, uses, and can radiate radio frequency energy and, if not installed and used in accordance with the instruction manual, may cause harmful interference to radio communications. Operation of this equipment in a residential area is likely to cause harmful interference in which case the user will be required to correct the interference at his own expense.

LEGAL NOTICES

© 2010 - 2012 Datalogic Automation S.r.l. ♦ ALL RIGHTS RESERVED. ♦ Protected to the fullest extent under U.S. and international laws. Copying, or altering of this document is prohibited without express written consent from Datalogic Automation S.r.l.

Datalogic and the Datalogic logo are registered trademarks of Datalogic S.p.A. in many countries, including the U.S.A. and the E.U.

Subnet16, Cobalt Dashboard and Cobalt C-Macro Builder are trademarks of Datalogic Automation S.r.l. All other brand and product names mentioned herein are for identification purposes only and may be trademarks or registered trademarks of their respective owners.

Datalogic shall not be liable for technical or editorial errors or omissions contained herein, nor for incidental or consequential damages resulting from the use of this material.

Datalogic Automation S.r.l.
Via Lavino 265 - 40050 Monte S.Pietro - Bologna - Italy
Tel: +39 051 6765611 - Fax: +39 051 6759324
www.automation.datalogic.com
e-mail: info.automation@datalogic.com