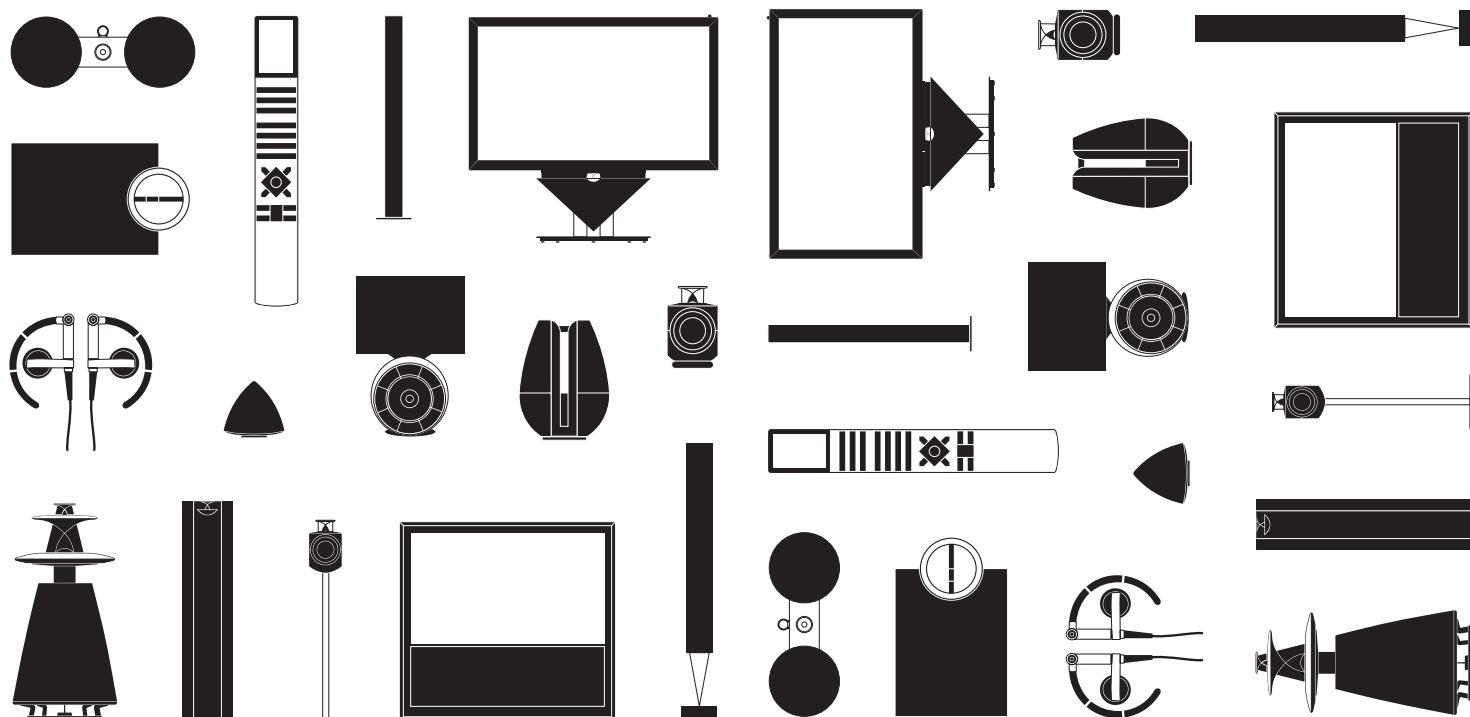


BeoVision 11

BeoVision 11-40

BeoVision 11-46

BeoVision 11-55



Dear Customer

This Getting Started contains information about the daily use of your Bang & Olufsen product and connected equipment. We expect your retailer to deliver, install and set up your product.

Your television offers more features and functions than described in this Getting Started. Among other things; HomeMedia and WebMedia functions and auto standby, editing and naming channels. These and other features are described in more detail in the product's online guide.

The guides are found on www.bang-olufsen.com/guides.

The guides are also kept up to date if new software introduces new or modified features and functions in your television.

On www.bang-olufsen.com you can also find more information and relevant FAQs (Frequently Asked Questions) about your product.

Your Bang & Olufsen retailer is your first stop for all your service queries.

To find your nearest retailer, visit our website ...

www.bang-olufsen.com

WARNING: To reduce the risk of fire or electric shock, do not expose this appliance to rain or moisture.



The lightning flash with arrowhead symbol within an equilateral triangle, is intended to alert the user to the presence of uninsulated “dangerous voltage” within the product’s enclosure that may be of sufficient magnitude to constitute a risk of electric shock to persons.



The exclamation point within an equilateral triangle is intended to alert the user to the presence of important operating and maintenance (servicing) instructions in the literature accompanying the product.

Read these instructions.

Keep these instructions.

Heed all warnings.

Follow all instructions.

Do not use this apparatus near water.

Clean only with dry cloth.

Do not block any ventilation openings. Install in accordance with the manufacturer’s instructions.

Do not install near any heat sources such as radiators, heat registers, stoves, or other apparatus (including amplifiers) that produce heat.

Do not defeat the safety purpose of the polarized or grounding-type plug. A polarized plug has two blades with one wider than the other. A grounding type plug has two blades and a third grounding prong. The wide blade or the third prong are provided for your safety. If the provided plug does not fit into your outlet, consult an electrician for replacement of the obsolete outlet.

Protect the power cord from being walked on or pinched particularly at plugs, convenience receptacles, and the point where they exit from the apparatus.

Only use attachments/accessories specified by the manufacturer.



Use only with the cart, stand, tripod, bracket, or table specified by the manufacturer, or sold with the apparatus. When a cart is used, use caution when moving the cart/apparatus combination to avoid injury from tip-over.

Unplug this apparatus during lightning storms or when unused for long periods of time.

Refer all servicing to qualified service personnel. Servicing is required when the apparatus has been damaged in any way, such as power-supply cord or plug is damaged, liquid has been spilled or objects have fallen into the apparatus, the apparatus has been exposed to rain or moisture, does not operate normally, or has been dropped.

Cautions

- Ensure that the television is positioned, set up and connected in accordance with the instructions in this Getting Started. To prevent injury, use Bang & Olufsen approved stands and wall brackets only!
- Place your television on a firm, stable surface.
- Do not place any items on top of your television.
- Do not subject the television to rain, high humidity or sources of heat.
- The television is intended for indoor use in dry, domestic environments only. Use within a temperature range of 50–105°F (10–40°C), and at an altitude of no more than 5,000 ft (1,500 m).
- If the television has been exposed to temperatures below 40°F (5°C), leave it at room temperature and wait until the television has regained normal room temperature before it is connected to the mains and switched on.
- Do not place the television in direct sunlight or direct artificial light, such as a spotlight, as this may reduce the sensitivity of the remote control receiver. Also if the screen is overheated, black spots may appear in the picture. These spots disappear again, once the television cools down to normal temperature.
- Leave enough space around the television for adequate ventilation.
- Connect all cables before connecting or reconnecting any of the products in your system to the mains.
- No naked flame sources, such as lighted candles should be placed on the apparatus.
- To prevent the spread of fire, keep candles or other open flames away from this product at all times.
- Do not attempt to open the television. Leave such operations to qualified service personnel.
- Do not strike the glass with hard or pointed items.
- The product can only be switched off completely by disconnecting it from the mains socket. The mains socket must always be accessible.
- Follow instructions to ensure correct and safe installation and interconnection of equipment in multimedia systems.
- The product label is placed behind the connection cover.

Contents

Daily use

- 6 How to use your remote control
- 8 How to navigate in menus
- 10 Watch television
- 12 Watch 3D television
- 14 HomeMedia
- 15 Change picture and sound settings

Installation and setting up

- 18 Set up your television
- 19 Cleaning
- 20 Connection panels

How to use your remote control

Beo4 operation

Your television can be operated with the Beo4 with navigation button as described in this Getting Started and the online guide, available on www.bang-olufsen.com/guides.

- TV** The Beo4 display shows you the activated source or function
- TV** Switch on the TV*¹
- DTV** Switch on WebMedia (requires Internet connection). See the online guide for more information
- 0 – 9** Select channels and enter information in on-screen menus
- LIST** Display extra “buttons” for functions or sources in the Beo4 display. Use \wedge or \vee to step in the list*²
- MENU** Bring up the main menu of the active source
- \blacktriangle Step through channels on connected equipment
- $\ll \gg$ Search backwards or forwards step by step
Hold to rewind or wind
- $\langle \diamond \rangle$ Navigation button left, right, up and down \langle , \rangle , \wedge and \vee . Move in menus by pressing the button in the direction you need
- \bullet Centre button is used for selecting and accepting
- \blacksquare Select colour specific functions
- \diamond Adjust volume
To mute, press the middle of the button
- STOP** Pause and stop playback
- PLAY** Start playback from connected equipment
- BACK** Move backwards through menus and the Beo4 list. Long press to exit menus completely
- \bullet Standby

Important – guides and FAQs are found on www.bang-olufsen.com/guides

¹*Beo4 buttons Some buttons can be reconfigured during the setup process. See the online guide for more information.

NOTE! For general information about remote control operation, see the guide enclosed with your remote control.

²*LIST In the Beo4 LIST, you find many of the buttons found under the \triangle button on Beo6.

MODE settings Check that your Beo4 remote control is in **MODE 1**. See your Beo4 online guide.

Beo6 operation



You can also operate your television with a Beo6 remote control. When Beo6 operation is different from Beo4 operation, it is described separately.

TV Soft button, touch screen to select*³
Switch on a source or select a function

← Back up through Beo6 displays

⤴ Bring up SCENE buttons, such as Zones or Speaker
Press again to return

+ Bring up digits to select channel or enter data
Press again to return

STOP Pause and stop playback

PLAY Start playback of connected equipment

BACK Move backwards through menus. Long press to exit menus completely

Color buttons Select colour specific functions*⁴
Press volume wheel next to the colour

Volume wheel Turn to adjust volume
To mute, turn quickly counter-clockwise

Center button Centre button is used for selecting and accepting

Navigation buttons Navigation button left, right, up and down. Move in menus by pressing the button in the direction you need

Search buttons Search backwards or forwards step by step
Hold to rewind or wind

Channel buttons Step through channels on connected equipment

Standby

³*About buttons Light grey buttons indicate that you have to press a text in the display. Dark grey buttons indicate that you have to press a hard button.

⁴*Coloured buttons Press the wheel next to the colour to activate a coloured button.
Actual zone Indicates the actual zone on Beo6 as it was named during the setup process.
Soft buttons on Beo6 Depending on the activated source, different soft buttons appear on the screen. Touch the screen to activate the function.

How to navigate in menus

Navigate in menus and select settings using your remote control. Pressing **MENU** brings up the menu for the selected source.

Display and menus

Select source and select settings.



Switch on TV

Show menu

Navigate in menus

When a menu is on the screen, you can move between menu options, reveal settings or enter data.



Highlight menu /change setting

Enter data

Bring up sub-menu/ store setting

Select option

Move backwards through menus

Press and hold to exit menus

Step between menu pages

Some menus take up more space than available on the television screen. This is indicated by half a menu item at the bottom or top of the screen. To easily step from the top of a list to the bottom, use the navigation button up.



Step in pages

Scroll through menu items

A solid line indicates that selection must be made using the **centre** button

CHANNEL LIST	
CNN	1
TV 2 NEWS	2
DISCOVER	3
CWNBC	4
BBCWORLD	5
...	6
...	7
SUPER CH	8
...	9
CRIME TV	10
CINEMA	11
MOVIE NW	12

Wednesday 09 November, 2011

Example of channel list.

A gradient line indicates that you can edit settings using the navigation button left and right

PIN CODE	
PIN CODE	OFF
NEW PIN CODE	

Wednesday 09 November, 2011

Information

Getting Started and guide This Getting Started and the online guide are primarily described with Beo4 remote control operation.

Main menu You can always bring up the main menu including a menu overlay of the active source if you press **MENU**.

Select source

You can select a source just by pressing the dedicated button on the remote control, or you can select a source via the menu.



Bring up help texts

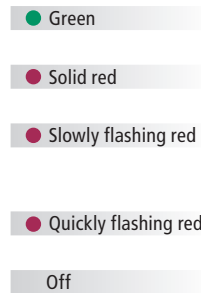
You can bring up help texts with explanations of features and functions when available in menus and submenus.



General features and functions are also explained in the NICE TO KNOW menu.*¹

Standby indicator

The standby indicator on the television will provide you with information about the television state.



The standby indicator flashes green shortly and the TV is ready to be used. To reduce start up time, see the online guide regarding power settings.

The TV is in standby but leave it connected to the mains supply due to software downloads.

The TV has been disconnected from the mains supply and you must enter the pin code. See the online guide for more information on the pin code system, available on www.bang-olufsen.com/guides.

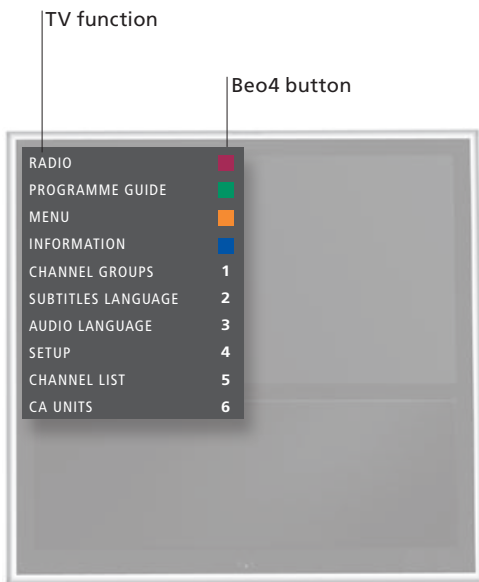
Do not disconnect the TV from the mains supply. Could be due to new software being activated or too many failed pin code attempts.

The TV is in standby and you can disconnect it from the mains supply if you want. However, this activates the pin code system.

Help texts In the SETUP menu, you can show/hide help texts using the **blue** button. For some languages, help texts are only available in English.

¹NICE TO KNOW menu Access the menu from the SETUP menu. You can read about basic features and functions. When your television receives software updates (requires Internet connection), new features and functions will be explained here.

Watch television channels, adjust the sound volume, and turn the TV.



Operation

Switch on the TV

Select a channel

Navigation may vary depending on the connected equipment.

Bring up and use the menu overlay

Turn the TV

If your TV is equipped with a motorised stand or wall bracket, you can turn it by means of the remote control.

Switch off the TV

Information

¹*Coloured functions You can also activate coloured functions without pressing **MENU** first.

 *or*   
 Press Press Select SOURCE LIST Select TV

 *or*  
 Select Activate numbers and select channel Select previous channel (Beo6: Press **Previous**)

  *or* 
 Press Activate the desired function*¹

   *or* 
 Press to bring up STAND Press Turn TV Select position


 Press

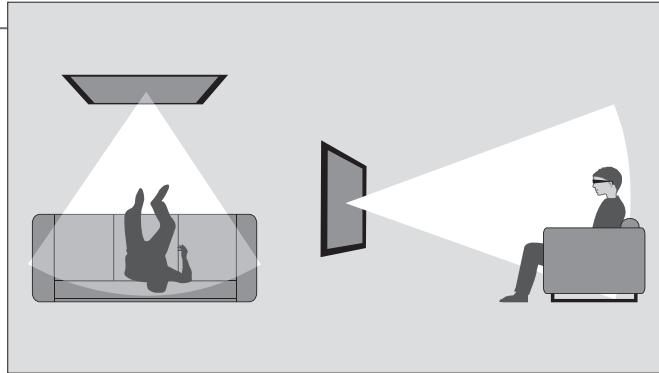
NOTE! To use the motorised stand or wall bracket function, you have to calibrate the stand or wall bracket first, see the online guide. To preset positions for the TV to turn to, see the online guide.

Watch 3D television

You can enhance the experience of watching television with 3D technology, for example, when you want to watch movies, sports or nature films.

Viewing conditions

Place yourself in front of the screen, a little closer than when you normally watch 2D TV, and use the 3D glasses. The recommended distance between your viewing position and the screen depends on the size of the screen and the picture resolution. If you move too far to the left or right of the centre of the screen, or if you move too far up or down, the quality of 3D TV decreases.



You will get the best 3D experience if you darken the room, for example, switch off the lights and draw the curtains. Especially lights behind and around the screen can cause an irritating effect. We recommend not to watch 3D TV in direct sunlight or bright surroundings.

Activate 3D or 2D TV

To watch films or other programmes suited for 3D, you must activate the 3D function and put on the activated 3D glasses that are available from your retailer. Switch to 2D mode again to watch TV that is not suited for 3D, for example, the news.

→ Bring up PICTURE menu

→ Select 3D DISPLAY menu

→ Select 3D or 2D

● Accept and watch 3D or 2D respectively, or select mode

3D/2D

If automatic 3D signalling is available, the TV automatically switches to 3D when you select 3D and to 2D when you select 2D. If automatic 3D signalling is not available, a menu for 3D or 2D mode selection appears on the screen. See the next page for information about modes.

Important

Important health and safety information for 3D pictures

Some viewers may experience discomfort while watching 3D TV such as dizziness, nausea and headaches. If you experience such symptoms, stop watching 3D TV, remove the 3D glasses and rest. Watching 3D TV for an extended period of time may cause eye strain. If you feel eye strain, stop watching 3D TV, remove the 3D glasses and rest. If you use eye glasses or contact lenses, wear the 3D glasses over them. Do not use the 3D glasses for other purposes. Adults should supervise children watching 3D TV and ensure that they do not experience any discomfort as mentioned above. It is recommended that children under 3 years do not watch 3D TV.

3D modes

Select the 3D mode that matches the signal sent out by the programme provider.

SIDE BY SIDE 3D



Converts side-by-side 3D signal into full screen 3D representation by scaling two pictures horizontally

TOP/BOTTOM 3D

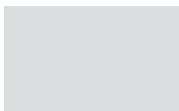


Converts top/bottom 3D signal into full screen 3D representation by scaling two pictures vertically

2D modes

Select the 2D mode that matches the signal sent out by the programme provider.

STANDARD 2D



Shows an ordinary 2D TV picture without any conversion.

SIDE BY SIDE 2D



Converts side-by-side 3D signal into full screen 2D representation by scaling one picture horizontally

TOP/BOTTOM 2D



Converts top/bottom 3D signal into full screen 2D representation by scaling one picture vertically

Automatic change of mode

If automatic 3D signalling is no longer available, the TV automatically switches to the last used mode for the current source. At channel and source change, the TV switches to STANDARD 2D.

Dual screen If two sources are brought up on the screen at the same time or if teletext is brought up on one side and a source on the other, the TV will always display a 2D mode.

You can play music and video files and browse photos stored either on a storage device or product connected via a DLNA/UPnP enabled media server. For more information about connections and functions, see the online guide available on www.bang-olufsen.com/guides.

Use HomeMedia

H.MEDIA

When you connect a storage device to your television, it detects the source automatically and asks if you want to browse the content.

You can also access the HOMEMEDIA menu via the SETUP menu.

Bring up H.MEDIA in your Beo4 display*¹

Listen to music

Select the folder with the music you wish to listen to.



Select storage device with music



Browse in files or step in tracks. Select a music file to start playback



Pause



Resume playback



Back up through menus or hold to return to the media browser main menu

Browse photos

Select the folder with the photos you wish to watch.



Select storage device with photos



Browse files and folders and press to start slideshow



Pause



Step between previous and next photo

Play back video files

Select the folder with the video files you wish to watch



Select storage device with video files



Browse files and folders and press to open



Step minute by minute. Press and hold to cue. Press again to change speed



Resume playback

Information

¹*Beo4 LIST

Bring up H.MEDIA in the Beo4 LIST. If you do not have the button, you can dedicate another button to HomeMedia in the SETUP menu.

Storage devices Access HomeMedia source

You can connect, for example, USB devices and hard disks connected via USB or Ethernet.

You can bring up the main menu, select SOURCE LIST, highlight HOMEMEDIA, and press the centre button to activate HomeMedia.

Supported format

Supported formats are listed on www.bang-olufsen.com/guides.

While you watch television, you can adjust the sound and picture settings. See the online guide on www.bang-olufsen.com/guides for more information about these settings.

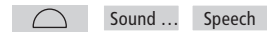
Select sound modes

The television has several sound modes optimised for different types of programmes. In the SOURCE LIST SETUP menu, you can, for each source, set up a sound mode to be used each time you activate this source.



Bring up sound modes on the television screen and select mode. If you remember the number of the mode you want, press 1-9 after **SOUND**

Step between modes



On Beo6, select between available sound modes, for example **Speech**

Select picture modes

You can activate different picture modes to use for different types of programmes. When you select a picture mode for a source, it is only saved until you switch off the television or switch to a different source.

In the SOURCE LIST SETUP menu, you can, for each source, set up a picture mode to be used each time you activate this source.



Bring up picture modes on the television screen and select mode. If you remember the number of the mode you want, press 1-3 after **PICTURE**

Step between modes



On Beo6, select between available picture modes, for example, **Movie**

Select picture format

In the SOURCE LIST SETUP menu, you can, for each source, set up a picture format to be used each time you activate this source. You can also select a different picture format temporarily.



Bring up picture formats on the television screen and select format. If you remember the number of the format you want, press 1-6 after **FORMAT**

Step between formats



Move the picture, if possible



On Beo6, select between available picture formats, for example **Auto**

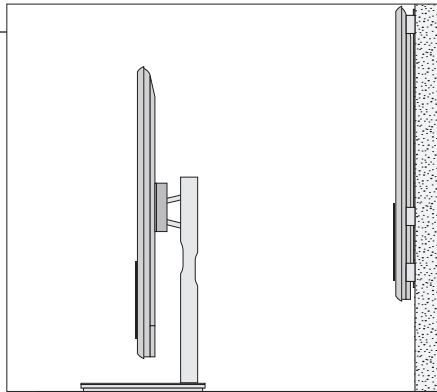
- 18 Set up your television
- 19 Cleaning
- 20 Connection panels

Set up your television

The television has several placement options. Follow the guidelines for placement and connection.

Placement options

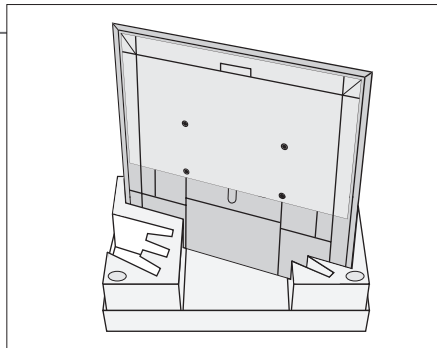
The TV has several placement options. Refer to www.bang-olufsen.com for available stands and wall brackets or contact your Bang & Olufsen retailer.



Due to the weight of the TV, any moving or lifting of the TV should be performed by qualified personnel – using the proper equipment.

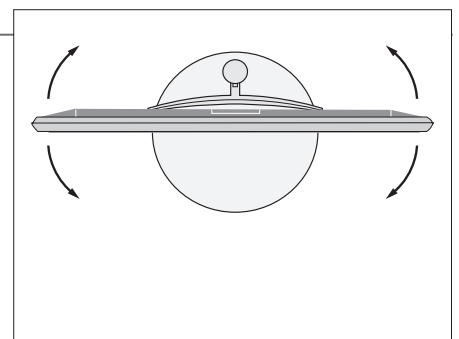
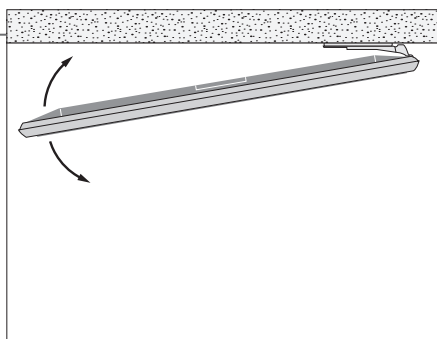
Handling

We recommend that you place the TV in the packaging while you fasten the wall bracket or the bracket for the stand to the back of the TV.



Wall bracket and stand

Set the maximum angle the TV will turn on the motorised stand or wall bracket. The wall bracket without motor can manually be turned 90° left or right depending on your setup. Remember to leave enough space around the TV to allow it to turn freely.

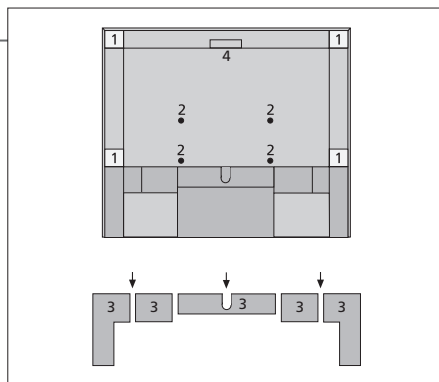


Important

- Ventilation** To ensure proper ventilation, allow enough space around the screen. At overheating (flashing standby indicator and an on-screen warning), switch the TV to standby, not off, in order for the TV to cool down. You cannot operate the TV during this time.
- Front glass** If the front screen glass should crack or chip, or if it should be damaged in any way, it must be replaced immediately, as it could otherwise cause injury. You can order replacement front screen glass from your Bang & Olufsen retailer.

Overview

Locate the connection panel and other important items:

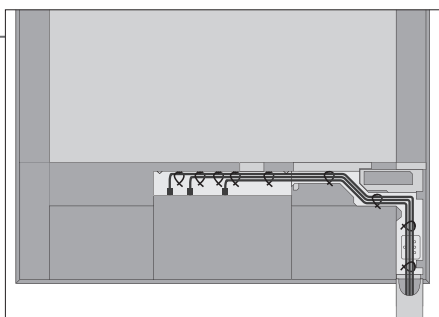


- 1 Mounting bracket for wall bracket.
- 2 Mounting bracket for stand.
- 3 Covers for the main connection panel. Pull out at the bottom to remove the cover parts.
- 4 Socket for temporary connections. Press in the middle to open.

Depending on your setup, lead the cables through the hole in the middle or either sides of the connection panel cover.

Run cables

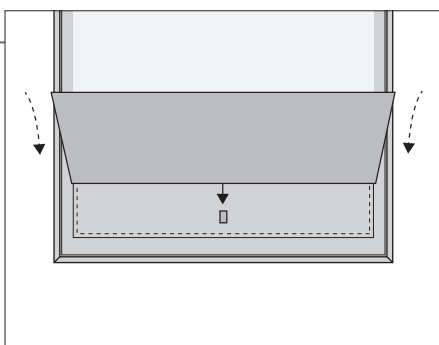
Gather the cables from each side, make the bundles cross each other, and fasten them to either side or in the middle, depending on wall bracket or stand placement.



If you have a motorised stand or wall bracket, make sure that there is enough slack in the cables to allow the TV to turn to either side before you fasten the cables with cable ties to make a neat bundle.

Fasten the speaker cover

When the TV is placed on a wall bracket or stand you can attach the speaker cover. Hold the speaker cover with both hands and place the pins into the holes at the bottom first. Then carefully place the pins into the holes at the top and push down.



During cleaning it is recommended to remove the speaker cover. Avoid spraying liquid directly on the screen as this may damage the speakers, use a soft cloth instead. Carefully remove the speaker cover by supporting it in the side and at the bottom.

Cleaning

Maintenance Regular maintenance, such as cleaning, is the responsibility of the user.

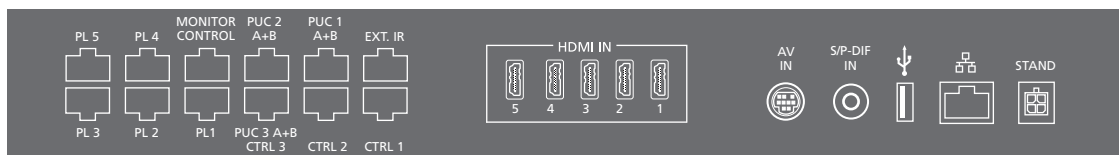
Screen Use a mild window cleaning fluid and lightly clean the screen without leaving streaks or traces. Some micro-fibre cloths may harm the optical coating due to their strong abrasive effect.

Cabinet and controls Wipe dust off the surfaces using a dry, soft cloth. To remove stains or dirt, use a soft, damp cloth and a solution of water and mild detergent, such as washing-up liquid.

Never alcohol Never use alcohol or other solvents to clean any parts of the TV.

Connection panels

Any equipment you connect to the main connection panel must be registered in the SOURCE LIST SETUP menu. Equipment connected to the top connection panel can be registered in the SOURCE LIST SETUP menu.



~ – Mains supply
Connection to the mains supply.

PL 1–5 (Power link)
For connection of external speakers in a surround sound setup. See the online guide for more information.

MONITOR CONTROL
For future use.

PUC 1–3 A+B
For IR control signals to external equipment connected to an HDMI IN or AV IN socket. Allows you to control non-Bang & Olufsen equipment with your Bang & Olufsen remote control.

CTRL (1–2)
For future use.

EXT. IR
For future use.

HDMI IN (1–5)
The High Definition Multimedia Interface allows you to connect many different video sources, such as set-top boxes, multimedia players, Blu-ray players, or a PC.

AV IN
For connection of analogue video equipment.

S/P-DIF IN
Digital audio input socket, for example, for a PC.

USB (→)
For connection of a USB device to browse digital photos, video or music files.

Ethernet*¹
For connection to the Internet. For software updates, access to WebMedia and PUC downloads.

Information

Mains cord and plug Connect the ~ socket on the main connection panel of your TV to the wall outlet. The TV is in standby mode and ready to be used. The supplied plug and mains cord are specially designed for the product. Do not change the plug, and if the mains cord is damaged, you must buy a new one from your Bang & Olufsen retailer.

¹*Make sure the cable connection between the product and the router does not exit the building to avoid contact with high voltage.

STAND

For connection of a motorised stand or wall bracket. See the online guide for calibration of stand or wall bracket.

Sockets for temporary connections**HDMI IN (6)**

HDMI IN connection of additional video equipment. You can also connect a camera or a game console.

PHONES (🎧)

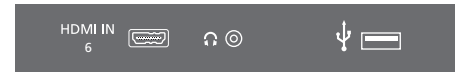
For connection of stereo headphones.

- > To mute speakers, press in the middle of the **^v** button. (Beo6: Turn the volume wheel quickly counter-clockwise).
- > Press **^** or **v** to adjust volume in headphones. (Beo6: Turn the volume wheel either way).
- > To restore sound in speakers, press the middle of the **^v** button. (Beo6: Turn the volume wheel quickly counter-clockwise).

NOTE! Prolonged listening at high volume levels can cause hearing damage!

USB (→)

For the connection of a USB device, such as a media browser (HomeMedia), to browse digital photos, video or music files.



Push to open the cover to access the HDMI IN, headphones and USB sockets. Push again to close it.

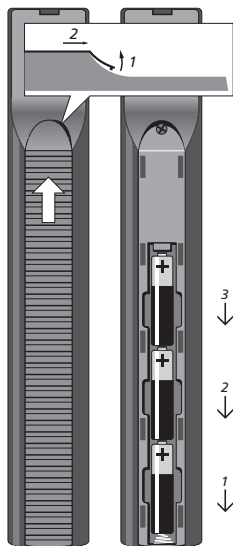
Temporary connections	You can connect headphones and listen to a programme, or you can connect a camera and watch your home movies on the TV.
Ethernet connection	Connect your television to the Internet to receive software updates and download Peripheral Unit Controller (PUC) tables. It is recommended that you set your television to update software automatically.
Online guide	The online guide includes more information about setup and connection of external equipment.

Waste Electrical and Electronic Equipment (WEEE) – Environmental protection



Electrical and electronic equipment, parts and batteries marked with this symbol must not be disposed of with normal household wastage; all electrical and electronic equipment, parts and batteries must be collected and disposed of separately. When disposing of electrical and electronic equipment and batteries by use of the collection systems available in your country, you protect the environment, human health and contribute to the prudent and rational use of natural resources.

Collecting electrical and electronic equipment, batteries and waste prevents the potential contamination of nature with the hazardous substances which may be present in electrical and electronic products and equipment. Your Bang & Olufsen retailer will advise you of the correct way of disposal in your country.



Beo4

This product complies with applicable environmental legislation throughout the world.

This product incorporates copyright protection technology that is protected by U.S. patents and other intellectual property rights. Use of this copyright protection technology must be authorized by Rovi Corporation, and is intended for home and other limited viewing uses only unless otherwise authorized by Rovi Corporation. Reverse engineering or disassembly is prohibited.

HDMI, the HDMI Logo and High-Definition Multimedia Interface are trademarks or registered trademarks of HDMI Licensing LLC.



Manufactured under license from Dolby Laboratories. Dolby and the double-D symbol are trademarks of Dolby Laboratories.



Manufactured under license under U.S. Patent Nos: 5,956,674; 5,974,380; 6,487,535 & other U.S. and worldwide patents issued & pending. DTS, the Symbol, & DTS and the Symbol together are registered trademarks & DTS Digital Surround and the DTS logos are trademarks of DTS, Inc. Product includes software. © DTS, Inc. All Rights Reserved.

For the US-market only!

Changes or modifications not expressly approved by the party responsible for compliance could void the user's authority to operate the equipment.

This device complies with Part 15 of the FCC Rules. Operation is subject to the following two conditions: (1) this device may not cause harmful interference, and (2) this device must accept any interference received, including interference that may cause undesired operation.

This equipment complies with FCC RF radiation exposure limits set forth for an uncontrolled environment. This equipment should be installed and operated with minimum distance 20 cm between the antenna and your body.

Tyco Puck 1551868-1 and Tyco UAM 1513472-7 antennas.

For the Canadian market only!

This device complies with Industry Canada licence-exempt RSS standard(s). Operation is subject to the following two conditions:

(1) this device may not cause interference, and
(2) this device must accept any interference, including interference that may cause undesired operation of the device.

Under Industry Canada regulations, this radio transmitter may only operate using an antenna of a type and maximum (or lesser) gain approved for the transmitter by Industry Canada. To reduce potential radio interference to other users, the antenna type and its gain should be so chosen that the equivalent isotropically radiated power (e.i.r.p.) is not more than that necessary for successful communication.

This radio transmitter (IC: 3775B-LBWA1ZZPD) has been approved by Industry Canada to operate with the antenna types listed below with the maximum permissible gain and required antenna impedance for each antenna type indicated. Antenna types not included in this list, having a gain greater than the maximum gain indicated for that type, are strictly prohibited for use with this device.

Antenna list:

Tyco Puck 1551868-1 and Tyco UAM 1513472-7 antennas.

Please note that high-power radars are allocated as primary users (i.e. priority users) of the bands 5250-5350 MHz and 5650-5850 MHz and these radars can cause interference and/or damage to LE-LAN (License-exempt Local Area Network) devices.

This equipment complies with IC RSS-102 radiation exposure limits set forth for an uncontrolled environment. This equipment should be installed and operated with minimum distance 20 cm between the antenna and your body.



35111512110002

