

1

PHASE
NEUTRAL

PHASE A
NEUTRAL

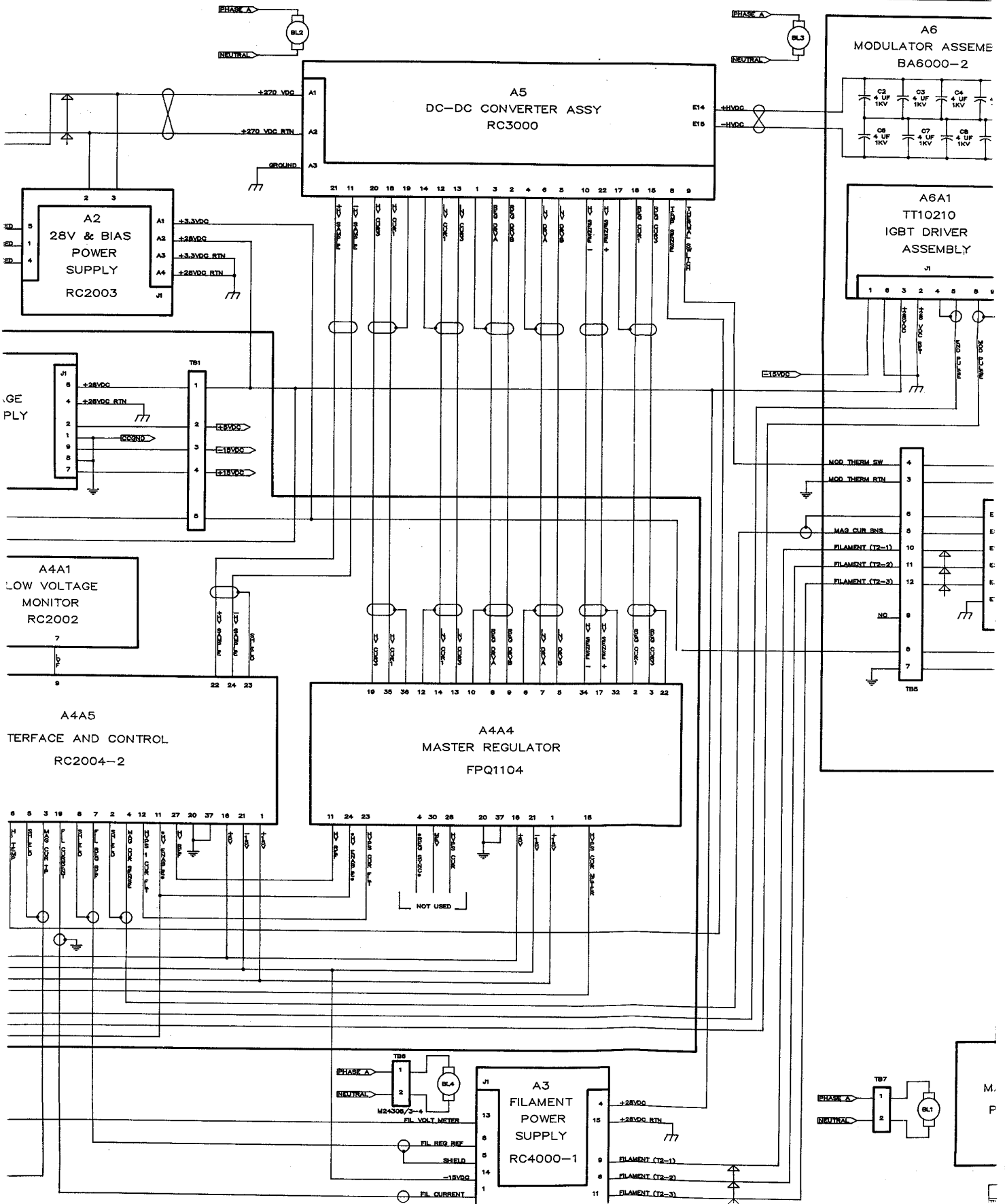
+28VDC
+28VDC RTN
+3.3VDC
+3.3VDC RTN

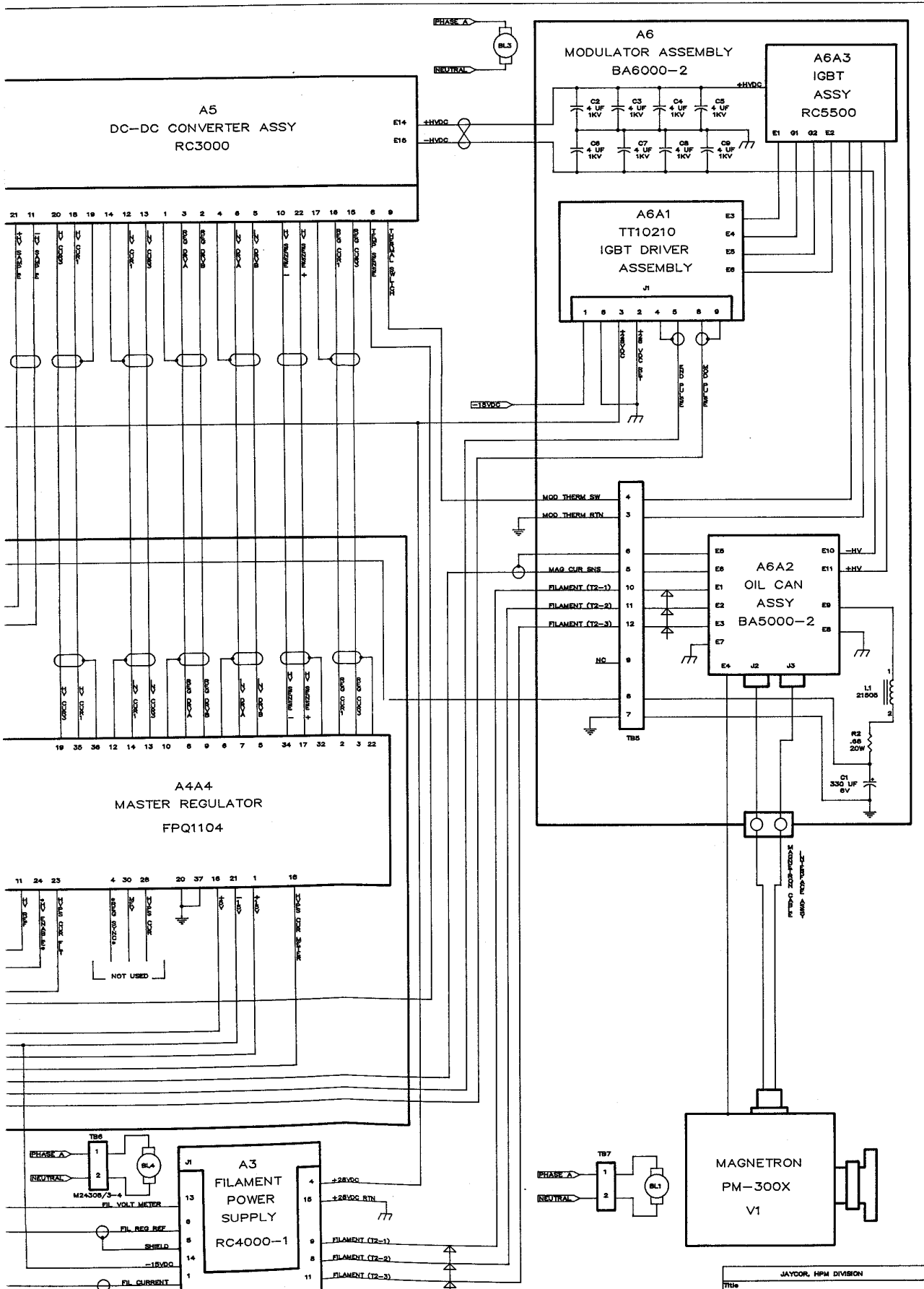
+28VDC
+3.3VDC
GROUND

BUS RTN
R HV ON
R FLT RST
VDC IN
RBUS COM
FIL_RDY
FAULT
PFG FLT

GROUND
+28VDC
+3.3VDC
GROUND

COMMAND PULSE
MAGNETRON CURRENT





JAYCOR, HPM DIVISION			
Title	BARON BLOCK DIAGRAM (X-BAND)		
Size	Document Number	REV	
D	BAR000-2	A	
Date:	March 6, 1999	Sheet	1 of 1