



BlueSoleil EcoSystem

BlueSoleil EcoSystem

**BlueSoleil** i40e Datasheet

February 20, 2014

Version 1.4

BlueSoleil EcoSystem

BlueSoleil EcoSystem

**VERSION HISTORY**

REVISION	AMENDMENT	DATE	AUTHOR
1.0	Initial version	2012-06-25	Wang Yuqiang Zhu Yong
1.1	Added certification, contact information, copyright	2012-08-06	Zhu Yong Huang Ruixue
1.2	Format update	2012-11-28	Li Li
1.3	Update package information. Refer to the chapter 11.	2012-12-12	Li Li
1.4	Add FCC & IC number	2014-2-20	Li Li

BlueSoleil EcoSystem

BlueSoleil EcoSystem

BlueSoleil EcoSystem

## Contents

1	Block Diagram and Descriptions.....	6
2	Electrical Characteristics .....	8
2.1	Absolute Maximum Ratings.....	8
2.2	Recommended Operating Conditions .....	8
2.3	Terminal Characteristics .....	8
2.4	Current Consumption .....	9
2.5	Radio Characteristics .....	10
2.5.1	Transmitter Radio Characteristics.....	10
2.5.2	Receiver Radio Characteristics.....	10
3	Pin Description .....	11
4	Physical Interfaces .....	15
4.1	UART Interface.....	15
4.1.1	UART Configuration While RESET is Active.....	16
4.2	SPI Interface.....	16
4.3	PCM Interface.....	17
4.3.1	PCM Interface Master/Slave.....	17
4.3.2	Long Frame Sync.....	18
4.3.3	Short Frame Sync.....	19
4.3.4	Multi Slot Operation .....	19
4.3.5	GCI Interface.....	20
4.3.6	Slots and Sample Formats .....	20
4.3.7	Additional Features .....	21
4.3.8	PCM Configuration .....	21
5	Software Stacks .....	23
5.1	BlueSoleil Stack.....	23
6	Enhanced Data Rate .....	24
6.1	Enhanced Data Rate Baseband.....	24
6.2	Enhanced Data Rate $\sqrt{4}$ DQPSK.....	24
6.3	8DQPSK.....	25
7	Re-flow Temperature-time profile.....	26
8	Reliability and Environmental Specification .....	27
8.1	Temperature test .....	27
8.2	Vibration Test.....	27
8.3	Desquamation test.....	27
8.4	Drop test.....	27
8.5	Packaging information .....	28
9	Layout and Soldering Considerations.....	28
9.1	Soldering Recommendations.....	28

9.2	Layout Guidelines .....	28
10	Physical Dimensions .....	29
11	Package .....	30
12	Certification.....	32
12.1	Bluetooth .....	32
12.2	Korea KCC .....	33
12.3	Japan TELEC .....	34
12.4	Bluetooth Technology Best Developed Corporation .....	35
13	Contacts .....	36
14	Copyright.....	37

BlueSoleil EcoSystem

BlueSoleil EcoSystem

BlueSoleil EcoSystem



### DESCRIPTION

BlueSoleil i40e is a *Bluetooth* 2.1 +EDR (Enhanced Data Rates) Class 2 module. i40e contains all the necessary elements from *Bluetooth* radio to antenna, and a fully implemented protocol stack.

By default, i40e module is equipped with powerful and easy-to-use BlueSoleil firmware. BlueSoleil firmware enables users to access *Bluetooth* functionality with simple ASCII commands delivered to the module over serial interface - it's just like a *Bluetooth* modem.

Therefore, i40e provides an ideal solution for developers who rapidly want to integrate *Bluetooth* wireless technology into their design.

### FEATURES

- Fully Qualified *Bluetooth* system v2.1 + EDR,
- BQB, KCC, TELEC
- Support both Master and Slave roles
- Integrated chip antenna
- Industrial temperature range from -40°C to +85°C
- RoHS Compliant
- Support for 802.11 Coexistence
- 8Mbits of Flash Memory
- Low power consumption

### APPLICATIONS

- Cable replacement
- Point-of-sales systems
- Barcode readers and pay terminals
- Telemetry and machine-to-machine devices
- Automotive inspection and measurement systems
- Medical systems
- Fitness and sports telemetry devices



Figure 1 BlueSoleil i40e

# 1 Block Diagram and Descriptions

BlueSoleil i40e's block diagram is illustrated in Figure 2 below.

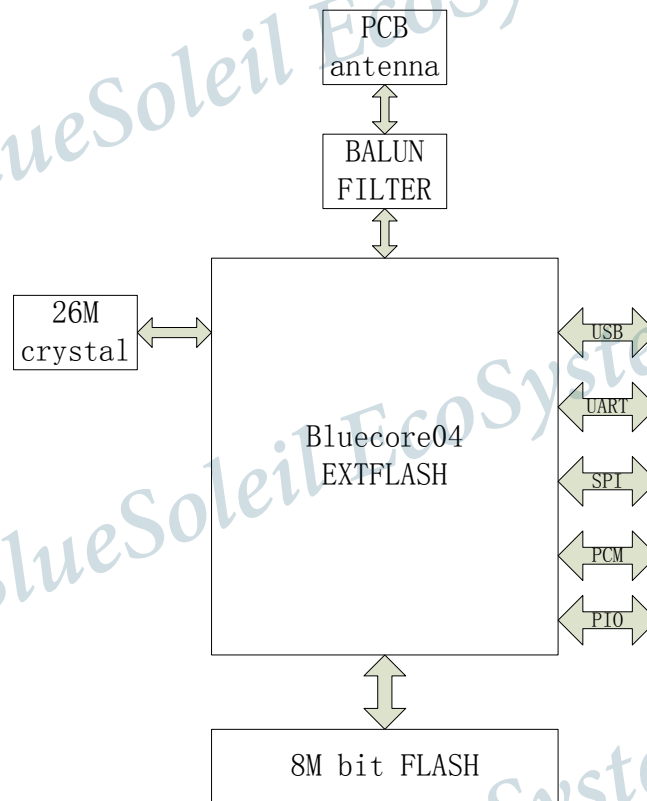


Figure 2 i40e Block Diagram

## BlueCore04

BlueCore4 is a single chip *Bluetooth* solution which implements the *Bluetooth* radio transceiver and also an on chip microcontroller. BlueCore4 implements *Bluetooth*® 2.1 + EDR (Enhanced Data Rate) and it can deliver data rates up to 3 Mbps.

The microcontroller (MCU) on BlueCore04 acts as interrupt controller and event timer run the *BlueSoleil* stack and control the radio and host interfaces. A 16-bit reduced instruction set computer (RISC) microcontroller is used for low power consumption and efficient use of memory.

BlueCore04 has 48Kbytes of on-chip RAM is provided to support the RISC MCU and is shared between the ring buffers used to hold voice/data for each active connection and the general purpose memory required by the *BlueSoleil* stack.

## Crystal

The crystal oscillates at 26MHz.

**Flash**

Flash memory is used for storing the *Bluetooth* protocol stack and Virtual Machine applications. It can also be used as an optional external RAM for memory intensive applications.

**Balun / filter**

Combined balun and filter changes the balanced input/output signal of the module to unbalanced signal of the monopole antenna. The filter is a band pass filter (ISM band).

**Matching**

Antenna matching components match the antenna to 50 Ohms.

**Antenna**

The antenna is meander PCB antenna.

**USB**

This is a full speed Universal Serial Bus (USB) interface for communicating with other compatible digital devices. i40e acts as a USB peripheral, responding to requests from a Master host controller such as a PC.

**Synchronous Serial Interface**

This is a synchronous serial port interface (SPI) for interfacing with other digital devices. The SPI port can be used for system debugging. It can also be used for programming the Flash memory.

**UART**

This is a standard Universal Asynchronous Receiver Transmitter (UART) interface for communicating with other serial devices.

**Audio PCM Interface**

The audio pulse code modulation (PCM) Interface supports continuous transmission and reception of PCM encoded audio data over *Bluetooth*.

**Programmable I/O**

i40e has a total of 9 digital programmable I/O terminals. These are controlled by firmware running on the device.

**RESETB**

This can be used to reset i40e. i40e is equipped with circuitry for generating Power ON Reset from the internal core voltage. A reset is generated when the core voltage falls below typically 1.5V and is released when it rises above typically 1.6V. Via Pin RESETB an external reset is generated by holding RESETB at  $\leq 0.3V$  for  $\geq 5ms$ .

### 802.11 Coexistence Interface

Dedicated hardware is provided to implement a variety of coexistence schemes. Channel skipping AFH (Adaptive Frequency Hopping), priority signaling, channel signaling and host passing of channel instructions are all supported. All mentioned features are configured in firmware.

## 2 Electrical Characteristics

### 2.1 Absolute Maximum Ratings

The module should not continuously run under extreme conditions. The absolute maximum ratings are summarized in Table 1 below. Exposure to absolute maximum rating conditions for extended periods of time may affect reliability and cause permanent damage to the device.

**Table 1** Absolute Maximum Ratings

	Min	Max	Unit
Storage temperature	-40	85	°C
Operating temperature	-40	85	°C
Supply voltage	-0.3	3.6	V
Terminal voltages	V <sub>ss</sub> -0.4	V <sub>dd</sub> +0.4	V

### 2.2 Recommended Operating Conditions

Recommended operating conditions are summarized in Table 2 below. BlueSoleil i40e operates as low as 2.7 V supply voltage. However, to safely meet the USB specification for minimum voltage for USB data lines, minimum of 3.1 V supply is required.

**Table 2** Recommended Operating Conditions

	Min	Typ	Max	Unit
Operating temperature	-40	20	85	°C
Supply voltage	3.1	3.3	3.6	V
Terminal voltages	0	-	V <sub>dd</sub>	V

### 2.3 Terminal Characteristics

BlueSoleil i40e's terminal characteristics are summarized in Table 3 below.

**Table 3** Terminal Characteristics



	Min	Typ	Max	Unit
<b>I/O voltage levels</b>				
VIL input logic level low	-0.4	-	0.8	V
VIH input logic level high	0.7Vdd	-	Vdd + 0.4	V
VOL output logic level low	-	-	0,2	V
VOH output logic level high	Vdd -0.2	-	-	V
<b>Reset terminal</b>				
VTH,res threshold voltage	0.64	0.85	1.5	V
RIRES input resistance	-	220	-	kΩ
CIRES input capacitance	-	220	-	nF
<b>Input and tri-state current with</b>				
Strong pull-up	-100	-40	-10	μA
Strong pull-down	10	40	100	μA
Weak pull-up	-5	-1	-0.2	μA
Weak pull-down	0.2	1	5	μA
I/O pad leakage current	-1	0	1	μA
<b>Vdd supply current</b>				
TX mode	-	-	70	mA
RX mode	-	-	70	mA

## 2.4 Current Consumption

BlueSoleil i40e's current consumption is summarized in Table 4 below.

**Table 4** Current Consumption

Operation Mode	Connection Type	UART Rate (kbps)	Average	Unit
Inquiry and Page scan	-		2.1	mA
ACL No traffic 500ms Sniff	Slave	9.6	1.9	mA
	Master	9.6	1.9	mA
ACL with file transfer	Slave	9.6	22.7	mA
	Master	9.6	11.5	mA
Stand by Host connection(a)	-	-	1.0	mA

## 2.5 Radio Characteristics

### 2.5.1 Transmitter Radio Characteristics

i40e meets the *Bluetooth* v2.1 + EDR specification between  $-40^{\circ}\text{C}$  and  $+85^{\circ}\text{C}$ . TX output is guaranteed to be unconditionally stable over the guaranteed temperature range. Refer to Table 5 below. Measurement conditions:  $T = 20^{\circ}\text{C}$ ,  $V_{\text{dd}} = 3,3\text{V}$

**Table 5** Transmitter Radio Characteristics at Basic Data Rate and Temperature  $20^{\circ}\text{C}$

Item	Typical Value	Bluetooth Specification	Unit
Maximum output power <sup>1,2</sup>	+2.5	-6 to 4 <sup>3</sup>	dBm
RF power control range	35	$\cong 16$	dB
20dB bandwidth for modulated carrier	780	$\cong 1000$	kHz
Adjacent channel transmit power $F = F_0 \pm 2\text{MHz}$	-40	$\cong 20$	dBm
Adjacent channel transmit power $F = F_0 \pm 3\text{MHz}$	-45	-40	dBm
Adjacent channel transmit power $F = F_0 \pm > 3\text{MHz}$	-50	-40	dBm
$\Delta f_{1\text{avg}}$ Maximum Modulation	165	$140 < f_{1\text{avg}} < 175$	kHz
$\Delta f_{2\text{max}}$ Maximum Modulation	150	115	kHz
$\Delta f_{1\text{avg}} / \Delta f_{2\text{avg}}$	0.97	$\cong 0.80$	-
Initial carrier frequency tolerance	6	$\cong 75$	kHz
Drift Rate	8	$\cong 20$	kHz/50 $\mu\text{s}$
Drift (single slot packet)	7	$\cong 25$	kHz
Drift (five slot packet)	9	$\cong 40$	kHz
2 <sup>nd</sup> Harmonic content	-65	$\cong -30$	dBm
3 <sup>rd</sup> Harmonic content	-45	$\cong -30$	dBm

NOTES:

1. I40E firmware maintains the transmit power to be within the *Bluetooth* v2.1 + EDR specification limits.
2. Measurement made using a PSKEY\_LC\_MAX\_TX\_POWER setting corresponds to a PSKEY\_LC\_POWER\_TABLE power table entry of 63.

### 2.5.2 Receiver Radio Characteristics

RX input is guaranteed to be unconditionally stable over the guaranteed temperature range.

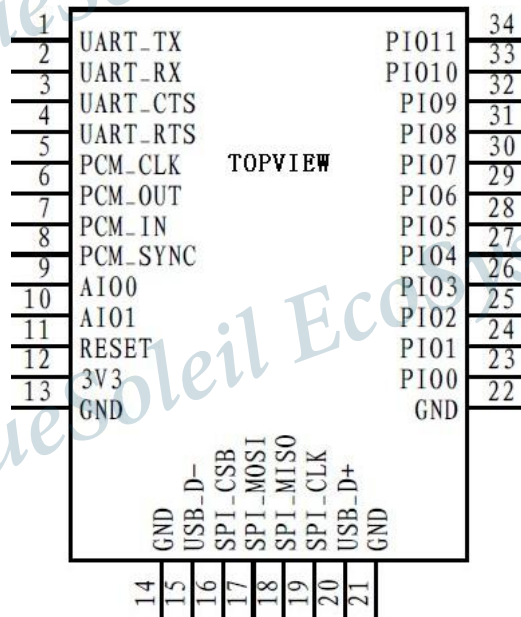
Refer to Table 6 below. Measurement conditions: T = 20°C, Vdd = 3,3V.

**Table 6** Receiver Radio Characteristics at Basic Data Rate and Temperature 20°C

	Frequency(GHz)	Typ.	Unit	Bluetooth Specification	Remark
Sensitivity@0.1% BER for all packet types	2.402	-85	dBm	<-75dBm	
	2.441	-84	dBm		
	2.480	-84	dBm		
BER@ Maximum received signal(-20dBm)	2.402	0	dBm	<0.1%	
	2.441	0	dBm		
	2.480	0	dBm		

### 3 Pin Description

BlueSoleil i40e's PIN description refers to Figure 3 and Table 7.



**Figure 3** i40e PIN Diagram

**Table 7** PIN Description

PIN NO.	NAME	TYPE	FUNCTION
1	UART-TX	CMOS Output	UART Data Output
2	UART-RX	CMOS Input	UART Data Input
3	UART-CTS	CMOS Input	UART Clear To Send Active Low
4	UART-RTS	CMOS Output	UART Request To Send Active Low

5	PCM-CLK	Bi-directional	Synchronous Data Clock
6	PCM-OUT	CMOS Output	Synchronous Data Output
7	PCM-IN	CMOS Input	Synchronous Data Input
8	PCM-SYNC	Bi-directional	Synchronous Data Sync
9	AIO(0)	Bi-directional	Programmable Input/Output Line
10	AIO(1)	Bi-directional	Programmable Input/Output Line
11	RESETB	CMOS Input	Reset if low. Input debounced so must be low for >5ms to cause a reset
12	VDD	POWER	+3.3V Supply
13	GND	GND	Ground
14	GND	GND	Ground
15	USBD-	Bi-directional	USB Data Minus
16	SPI-CSB	CMOS Input	Chip Select For Synchronous Serial Interface
17	SPI-MOSI	CMOS Input	Serial Peripheral Interface Data Input
18	SPI-MISO	CMOS Output	Serial Peripheral Interface Data Output
19	SPI-CLK	CMOS Input	Serial Peripheral Interface Clock
20	USB D+	Bi-directional	USB Data Plus with selectable internal 1.5KΩ
21	GND	GND	Ground
22	GND	GND	Ground
23	PIO(0)	Bi-directional with programmable strength	Control output for external LNA(if fitted)
24	PIO(1)	Bi-directional with programmable strength	Control output for external PA(if fitted)
25	PIO(2)	Bi-directional	Programmable Input/Output Line
26	PIO(3)	Bi-directional	Programmable Input/Output Line
27	PIO(4)	Bi-directional with programmable strength	Programmable Input/Output Line or optional BT_Priority/CH_Clk output for co-existence
28	PIO(5)	Bi-directional with programmable strength	Programmable Input/Output Line or optional BT_Active output for co-existence
29	NC	NC	
30	NC	NC	
31	NC	NC	
32	PIO(9)	Bi-directional	Programmable Input/Output Line
33	PIO(10)	Bi-directional	Programmable Input/Output Line
34	PIO(11)	Bi-directional	Programmable Input/Output Line

**GND**

Connect GND pins to the ground plane of PCB.

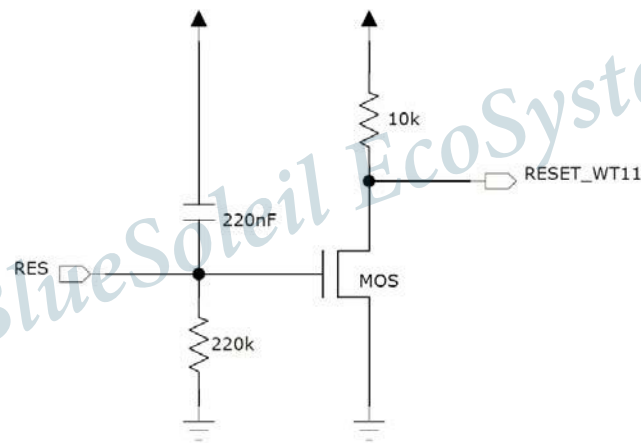
**VDD**

3.3 V supply voltage connection. i40e has an internal decoupling capacitor and LC filter to block high frequency disturbances. Thus external filtering is usually not needed. It is however recommended to leave an option for an external high Q 10pF decoupling capacitor in case EMC problems arise.

**RESETB**

The RESET pin is an active high reset and is internally filtered using the internal low frequency clock oscillator. A reset will be performed between 1.5 and 4.0ms following RESET being active. It is recommended that RESET be applied for a period greater than 5ms.

BlueSoleil i40e has an internal reset circuitry, which keeps reset pin active until supply voltage has reached stability in the start up. See Figure 4 below. This ensures that supply for the flash memory inside the i40e will reach stability before BC4 chip fetches instructions from it. Schematic of the reset circuitry is shown in figure 4. Rising supply voltage charges the capacitor, which will activate the reset of i40e. The capacitor discharges through 220k resistor, which eventually deactivates the reset. Time constant of the RC circuitry is set such that the supply voltage is safely stabilized before reset deactivates. Pull-up or pull-down resistor should not be connected to the reset pin to ensure proper start up of i40e.



**Figure 4** i40e Internal Reset Circuitry

**PIO0 – PIO5, PIO9 –PIO11**

Programmable digital I/O lines.

**NC**

Leave unconnected.

**RTS**

CMOS output with weak internal pull-up. Can be used to implement RS232 hardware flow control where RTS (request to send) is active low indicator. UART interface requires external RS232 transceiver chip.

**CTS**

CMOS input with weak internal pull-down. Can be used to implement RS232 hardware flow control where CTS (clear to send) is active low indicator. UART interface requires external RS232 transceiver chip.

**RXD**

CMOS input with weak internal pull-down. RXD is used to implement UART data transfer from another device to i40e.

**TXD**

CMOS output with weak internal pull-up. TXD is used to implement UART data transfer from i40e to another device.

**PCM\_OUT**

CMOS output with weak internal pull-down. Used in PCM (pulse code modulation) interface to transmit digitized audio.

**PCM\_IN**

CMOS input with weak internal pull-down. Used in PCM interface to receive digitized audio.

**PCM\_CLK**

Bi-directional synchronous data clock signal pin with weak internal pull-down. PCM\_CLK is used in PCM interface to transmit or receive CLK signal. When configured as a master, i40e generates clock signal for the PCM interface. When configured as a slave PCM\_CLK is an input and receives the clock signal from another device.

**PCM\_SYNC**

Bi-directional synchronous data strobe with weak internal pull-down. When configured as a master, i40e generates SYNC signal for the PCM interface. When configured as a slave PCM\_SYNC is an input and receives the SYNC signal from another device.

**USB\_D+**

Bi-directional USB data line with a selectable internal 1.5k pull-up implemented as a current source (compliant with USB specification v1.2) External series resistor is required to match the connection to the characteristic impedance of the USB cable.

**USB\_D-**

Bi-directional USB data line. External series resistor is required to match the connection to the characteristic impedance of the USB cable.

#### SPI\_CSB

CMOS input with weak internal pull-up. Active low chip select for SPI (serial peripheral interface).

#### SPI\_CLK

CMOS input for the SPI clock signal with weak internal pull-down. i40e is the slave and receives the clock signal from the device operating as a master.

#### SPI\_MISO

SPI data output with weak internal pull-down.

#### SPI\_MOSI

SPI data input with weak internal pull-down.

## 4 Physical Interfaces

### 4.1 UART Interface

BlueSoleil i40e Universal Asynchronous Receiver Transmitter (UART) interface provides a simple mechanism for communicating with other serial devices using the RS232 standard. i40e's UART interface uses voltage levels of 0 to V<sub>DD</sub> and thus external transceiver IC is required to meet the voltage level specifications of UART.

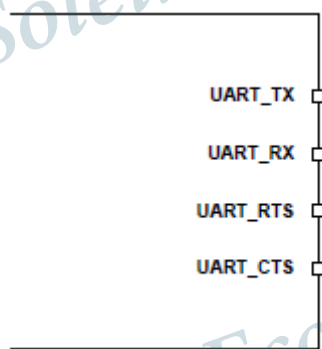


Figure 5 i40e UART Interface

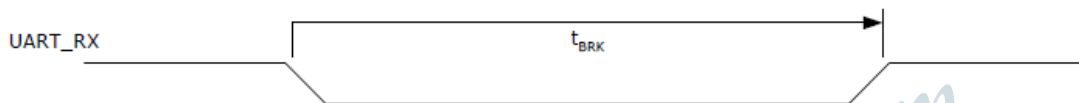
Four signals are used to implement the UART function, as shown in Figure 5 above. When i40e is connected to another digital device, UART\_RX and UART\_TX transfer data between the two devices. The remaining two signals, UART\_CTS and UART\_RTS, can be used to implement RS232 hardware flow control where both are active low indicators. All UART connections are implemented using CMOS technology and have signaling levels of 0V and V<sub>DD</sub>.

In order to communicate with the UART at its maximum data rate using a standard PC, an accelerated serial port adapter card is required for the PC. The possible UART settings are summarized in Table 8 below.

**Table 8** Possible UART Settings

UART Parameters		Possible Values
Baud rate	Minimum	1200 baud ( $\leq 2\%$ Error)
	Maximum	9600 baud ( $\leq 1\%$ Error)
Flow control		RTS/CTS, none
Parity		None, Odd, Even
Number of stop bits		1 or 2
Bits per channel		8

The UART interface is capable of resetting i40e upon reception of a break signal. A Break is identified by a continuous logic low (0V) on the UART\_RX terminal, as shown in Figure 5. If  $t_{BRK}$  is longer than the value, defined by the PS Key PSKEY\_HOST\_IO\_UART\_RESET\_TIMEOUT(0x1a4), a reset will occur. This feature allows a host to initialize the system to a known state. Also, i40e can emit a Break character that may be used to wake the Host. See Figure 6 below.



**Figure 6** Break Signal

Since UART\_RX terminal includes weak internal pull-down, it can't be left open unless disabling UART interface using PS\_KEY settings. If UART is not disabled, a pull-up resistor has to be connected to UART\_RX. UART interface requires external RS232 transceiver, which usually includes the required pull-up.

#### 4.1.1 UART Configuration While RESET is Active

The UART interface for i40e while the chip is being held in reset is tri-state. This will allow the user to daisy chain devices onto the physical UART bus. The constraint on this method is that any devices connected to this bus must tri-state when i40e reset is de-asserted and the firmware begins to run.

## 4.2 SPI Interface

The synchronous serial port interface (SPI) is for interfacing with other digital devices. The SPI port can be used for system debugging. It can also be used for programming the Flash memory. SPI



interface is connected using the MOSI, MISO, CSB and CLK pins.

The module operates as a slave and thus MISO is an output of the module. MISO is not in high impedance state when CSB is pulled high. Instead, the module outputs 0 if the processor is running and 1 if it is stopped.

## 4.3 PCM Interface

PCM is a standard method used to digitize audio (particularly voice) for transmission over digital communication channels. Through its PCM interface, i40e has hardware support for continual transmission and reception of PCM data, thus reducing processor overhead for wireless headset applications. i40e offers a bidirectional digital audio interface that routes directly into the baseband layer of the on-chip firmware. It does not pass through the HCI protocol layer.

Hardware on i40e allows the data to be sent to and received from a SCO connection. Up to three SCO connections can be supported by the PCM interface at any one time.

i40e can operate as the PCM interface master generating an output clock of 128, 256 or 512kHz. When configured as PCM interface slave, it can operate with an input clock up to 2048kHz. i40e is compatible with a variety of clock formats, including Long Frame Sync, Short Frame Sync and GCI timing environments.

It supports 13-bit or 16-bit linear, 8-bit  $\mu$ -law or A-law companded sample formats at 8ksamples/s and can receive and transmit on any selection of three of the first four slots following PCM\_SYNC. The PCM configuration options are enabled by setting PSKEY\_PCM\_CONFIG32(0x1b3).

### 4.3.1 PCM Interface Master/Slave

When configured as the Master of the PCM interface, i40e generates PCM\_CLK and PCM\_SYNC. See Figure 7 below.

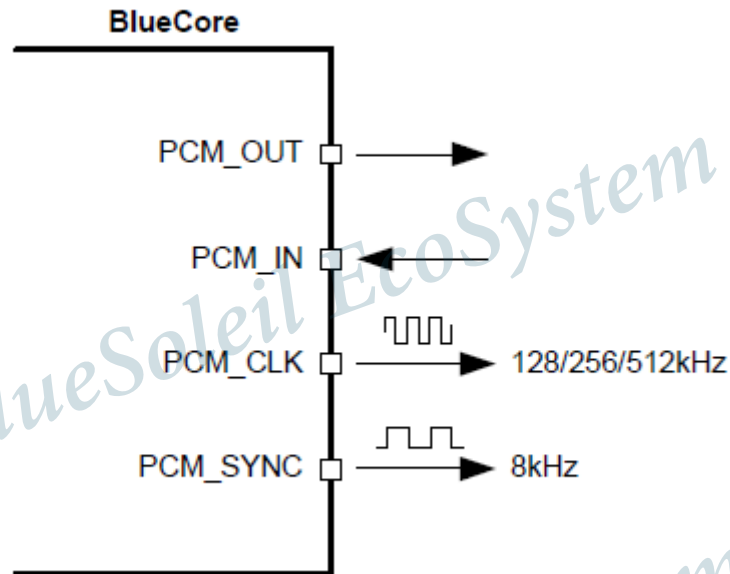


Figure 7 i40e as PCM Master

When configured as the Slave of the PCM interface, i40e accepts PCM\_CLK and PCM\_SYNC. PCM\_CLK rates up to 2048kHz are accepted. See Figure 8 below.

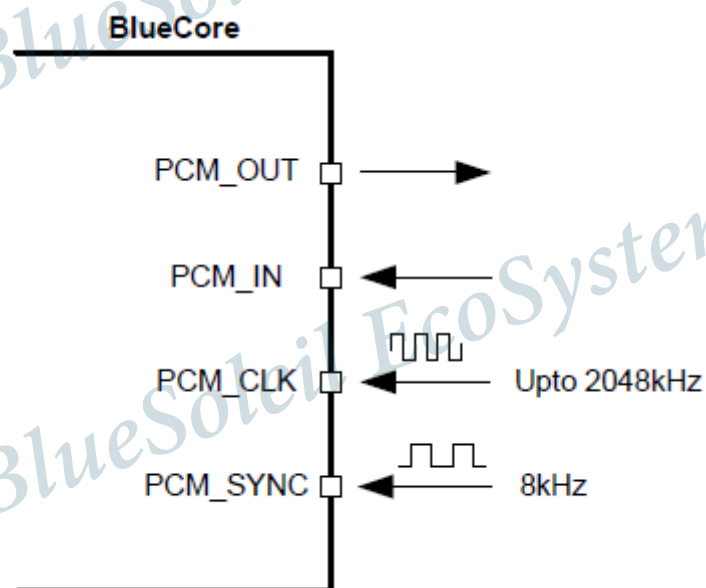


Figure 8 i40e as PCM Slave

### 4.3.2 Long Frame Sync

Long Frame Sync is the name given to a clocking format that controls the transfer of PCM data words or samples. In Long Frame Sync, the rising edge of PCM\_SYNC indicates the start of the PCM word. When i40e is configured as PCM Master, generating PCM\_SYNC and PCM\_CLK, then PCM\_SYNC is 8-bits long. When BlueCore4-External is configured as PCM Slave, PCM\_SYNC may be from two consecutive falling edges of PCM\_CLK to half the PCM\_SYNC rate, i.e. 62.5µs long. See Figure 9 below.

i40e samples PCM\_IN on the falling edge of PCM\_CLK and transmits PCM\_OUT on the rising edge. PCM\_OUT may be configured to be high impedance on the falling edge of PCM\_CLK in the LSB position or on the rising edge.

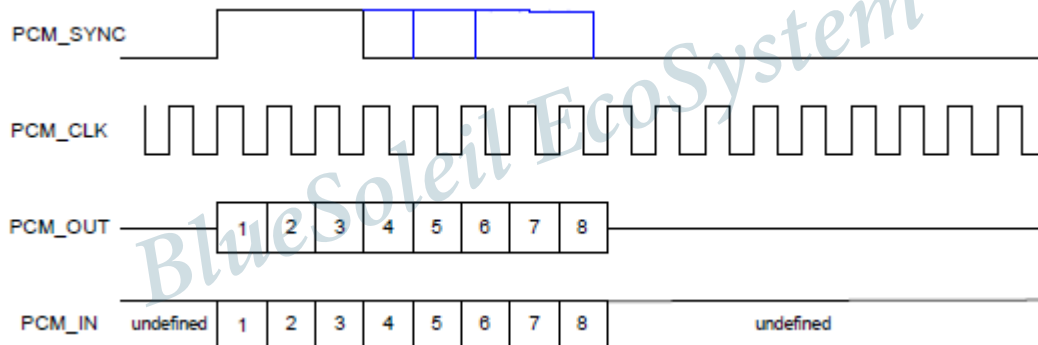


Figure 9 Long frame Sync (shown with 8-bit companded sample)

### 4.3.3 Short Frame Sync

In Short Frame Sync the falling edge of PCM\_SYNC indicates the start of the PCM word. PCM\_SYNC is always one clock cycle long. See Figure 10 below.

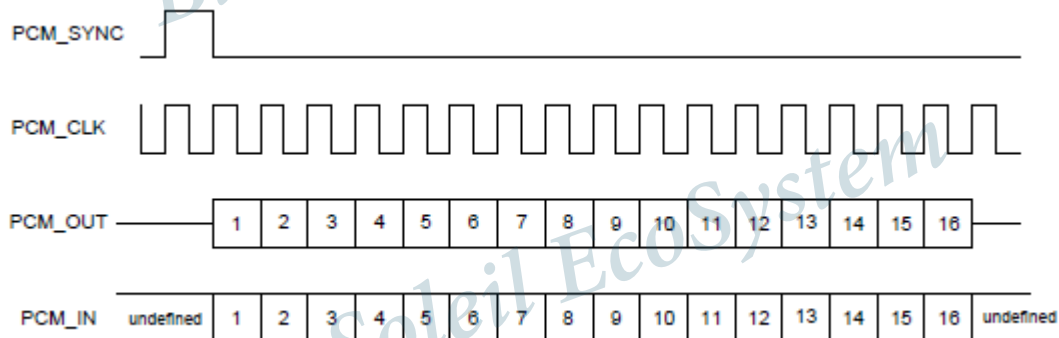
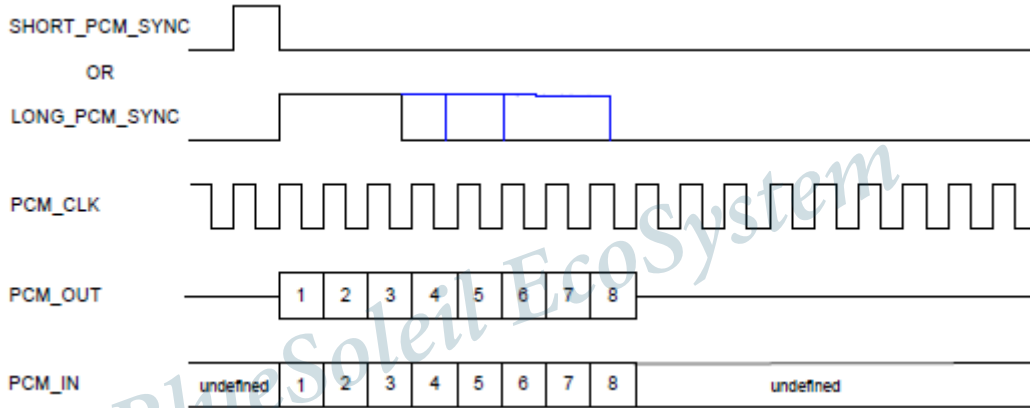


Figure 10 Short Frame Sync (shown with 16-bit companded sample)

As with Long Frame Sync, I40e samples PCM\_IN on the falling edge of PCM\_CLK and transmits PCM\_OUT on the rising edge. PCM\_OUT may be configured to be high impedance on the falling edge of PCM\_CLK in the LSB position or on the rising edge.

### 4.3.4 Multi Slot Operation

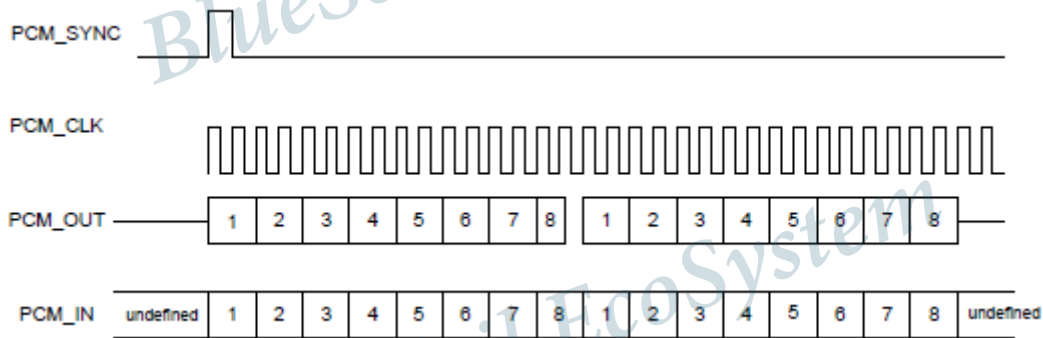
More than one SCO connection over the PCM interface is supported using multiple slots. Up to three SCO connections can be carried over any of the first four slots. See Figure 11 below.



**Figure 11** Multi Slot Operation (shown with two slots and 8-bit companded samples)

### 4.3.5 GCI Interface

i40e is compatible with the General Circuit Interface, a standard synchronous 2B+D ISDN timing interface. The two 64Kbps B channels can be accessed when this mode is configured. See Figure 12 below.



**Figure 12** GCI Interface

The start of frame is indicated by the rising edge of PCM\_SYNC and runs at 8K Hz. With i40e in Slave mode, the frequency of PCM\_CLK can be up to 4.096MHz.

### 4.3.6 Slots and Sample Formats

i40e can receive and transmit on any selection of the first four slots following each sync pulse. Slot durations can be either 8 or 16 clock cycles. Duration's of 8 clock cycles may only be used with 8-bit sample formats. Durations of 16 clocks may be used with 8, 13 or 16-bit sample formats.

i40e supports 13-bit linear, 16-bit linear and 8-bit  $\mu$ -law or A-law sample formats. The sample rate is 8ksamples/s. The bit order may be little or big endian. When 16-bit slots are used, the 3 or 8 unused bits in each slot may be filled with sign extension, padded with zeros or a programmable 3-bit audio attenuation compatible with some Motorola CODECs. See Figure 13

below.

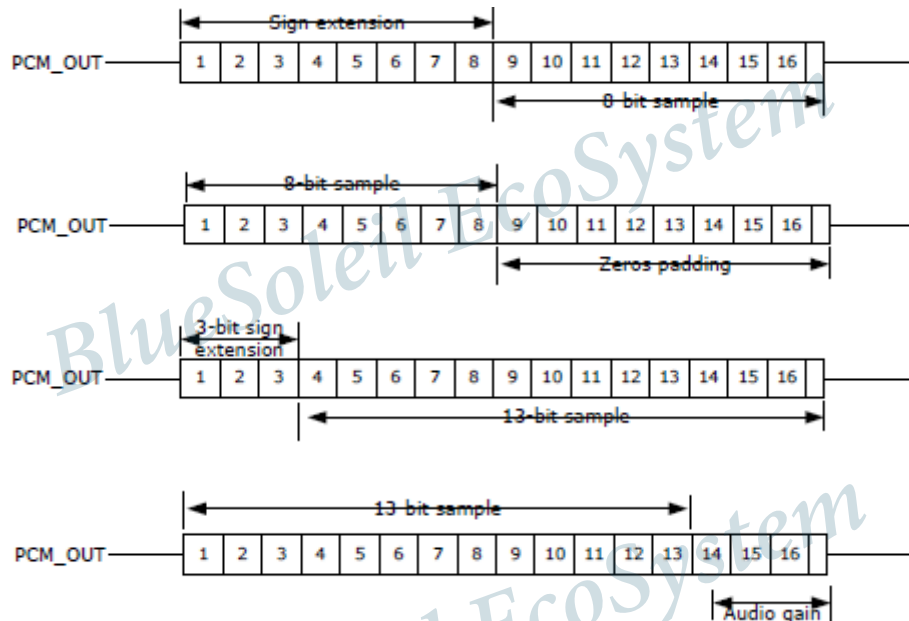


Figure 13 16-bit Slot with 13-bit Linear Sample and Audio Gain Selected

### 4.3.7 Additional Features

i40e has a mute facility that forces PCM\_OUT to be 0. In Master mode, PCM\_SYNC may also be forced to 0 while keeping PCM\_CLK running which some CODECS use to control power down.

### 4.3.8 PCM Configuration

The PCM configuration is set using two PS Keys, PSKEY\_PCM\_CONFIG32 and PSKEY\_PCM\_LOW\_JITTER\_CONFIG. They are summarized in Table 9 and Table 10 below. The default for PSKEY\_PCM\_CONFIG32 key is 0x00800000 i.e. first slot following sync is active, 13-bit linear voice format, long frame sync and interface master generating 256kHz PCM\_CLK from 4MHz internal clock with no tri-stating of PCM\_OUT.

Table 9 PSKEY\_PCM\_CONFIG32 Description

Name	Bit position	Description
-	0	Set to 0
SLAVE MODE EN	1	0 selects Master mode with internal generation of PCM_CLK and PCM_SYNC. 1 selects Slave mode requiring externally generated PCM_CLK and PCM_SYNC. This should be set to 1 if 48M_PCM_CLK_GEN_EN (bit 11) is set.
SHORT SYNC EN	2	0 selects long frame sync (rising edge indicates start of frame), 1 selects short frame sync (falling edge indicates start of frame).

-	3	Set to 0
SIGN EXTENDED EN	4	0 selects padding of 8 or 13-bit voice sample into a 16-bit slot by inserting extra LSBs, 1 selects sign extension. When padding is selected with 3-bit voice sample, the 3 padding bits are the audio gain setting; with 8-bit samples the 8 padding bits are zeroes.
LSB FIRST EN	5	0 transmits and receives voice samples MSB first, 1 uses LSB first.
TX TRISTATE EN	6	0 drives PCM_OUT continuously, 1 tri-states PCM_OUT immediately after the falling edge of PCM_CLK in the last bit of an active slot, assuming the next slot is not active.
TX TRISTATE RISING EDGE EN	7	0 tristates PCM_OUT immediately after the falling edge of PCM_CLK in the last bit of an active slot, assuming the next slot is also not active. 1 tristates PCM_OUT after the rising edge of PCM_CLK.
SYNC SUPPRESS EN	8	0 enables PCM_SYNC output when master, 1 suppresses PCM_SYNC whilst keeping PCM_CLK running. Some CODECS utilize this to enter a low power state.
GCI MODE EN	9	1 enables GCI mode.
MUTE EN	10	1 forces PCM_OUT to 0.
48M PCM CLK GEN EN	11	0 sets PCM_CLK and PCM_SYNC generation via DDS from internal 4 MHz clock, as for BlueCore4-External. 1 sets PCM_CLK and PCM_SYNC generation via DDS from internal 48 MHz clock.
LONG LENGTH SYNC EN	12	0 sets PCM_SYNC length to 8 PCM_CLK cycles and 1 sets length to 16 PCM_CLK cycles. Only applies for long frame sync and with 48M_PCM_CLK_GEN_EN set to 1.
-	[20:16]	Set to 0b00000.
MASTER CLK RATE	[22:21]	Selects 128 (0b01), 256 (0b00), 512 (0b10) kHz PCM_CLK frequency when master and 48M_PCM_CLK_GEN_EN (bit 11) is low.
ACTIVE SLOT	[26:23]	Default is 0001. Ignored by firmware
SAMPLE_FORMAT	[28:27]	Selects between 13 (0b00), 16 (0b01), 8 (0b10) bit sample with 16 cycle slot duration 8 (0b11) bit sample 8 cycle slot duration.

**Table 10** PSKEY\_PCM\_LOW\_JITTER\_CONFIG Description

Name	Bit position	Description
CNT LIMIT	[12:0]	Sets PCM_CLK counter limit
CNT RATE	[23:16]	Sets PCM_CLK count rate.
SYNC LIMIT	[31:24]	Sets PCM_SYNC division relative to PCM_CLK.

## 5 Software Stacks

BlueSoleil i40e is supplied with *Bluetooth* v2.1 + EDR compliant stack firmware, which runs on the internal RISC microcontroller. i40e’s software architecture allows *Bluetooth* processing and the application program to be shared in different ways between the internal RISC microcontroller and an external host processor (if any).

### 5.1 BlueSoleil Stack

The BlueSoleil stack is illustrated in Figure 14 below.

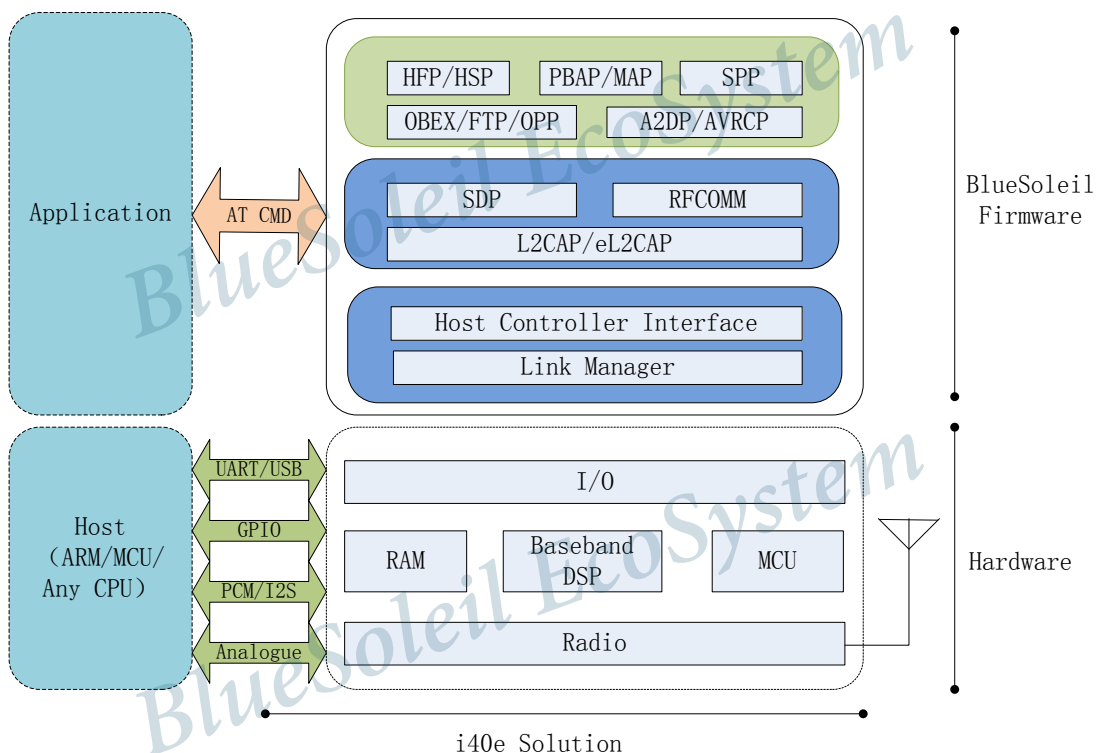


Figure 14 BlueSoleil Stack

In this version of the stack firmware shown no host processor is required to run the *Bluetooth* protocol stack. All BlueSoleil stack layers, including application software, run on the internal RISC processor.

The host processor interfaces to BlueSoleil stack via one or more of the physical interfaces. The most common interfacing is done via UART interface using the ASCII commands supported by the BlueSoleil stack. With these ASCII commands the user can access *Bluetooth* functionality without paying any attention to the complexity, which lies in the *Bluetooth* protocol stack.

The user may write applications code to run on the host processor to control BlueSoleil stack

with ASCII commands and to develop *Bluetooth* applications. Please refer to BlueSoleil i40e's programming manuals: BlueSoleil\_i40e\_SPP\_programming\_manual.pdf or BlueSoleil\_i40e\_Multi\_programming\_manual.pdf.

## 6 Enhanced Data Rate

EDR has been introduced to provide 2x and optionally 3x data rates with minimal disruption to higher layers of the *Bluetooth* stack. CSR supports both of the new data rates, with i40e. i40e is compliant with revision v2.0.E.2 of the specification.

### 6.1 Enhanced Data Rate Baseband

At the baseband level EDR uses the same 1.6kHz slot rate as basic data rate and therefore the packets can be 1, 3, or 5 slots long as per the basic data rate. Where EDR differs from the basic data rate is that in the same 1MHz symbol rate 2 or 3bits are used per symbol, compared to 1bit per symbol used by the basic data rate. To achieve the increase in number of bits symbol, two new modulation schemes have been introduced as summarized in Table 11 below, and the modulation schemes are explained in the further sections.

**Table 11** Data Rate Schemes

Scheme	Bits per symbol	Modulation
Basic data rate	1	GFSK
Enhanced data rate	2	P/4 DQPSK
Enhanced data rate	3	8DPSK (optional)

Although the EDR uses new packets Link establishment and management are unchanged and still use Basic Rate packets.

### 6.2 Enhanced Data Rate $\pi/4$ DQPSK

$\pi/4$  DQPSK includes the following features:

- 4-state Differential Phase Shift Keying.
- 4-state Differential Phase Shift Keying.
- 2 bits determine phase shift between consecutive symbols. Refer to Table 12 below.
- $S/4$  rotation avoids phase shift of  $S$ , which would cause large amplitude variation.
- Raised Cosine pulse shaping filter to further reduce side band emissions.

**Table 12** 2 bits Determine Phase Shift between Consecutive Symbols



Bit pattern	Phase shift
00	$\pi/4$
01	$3 \pi/4$
10	$-3 \pi/4$
11	$-\pi/4$

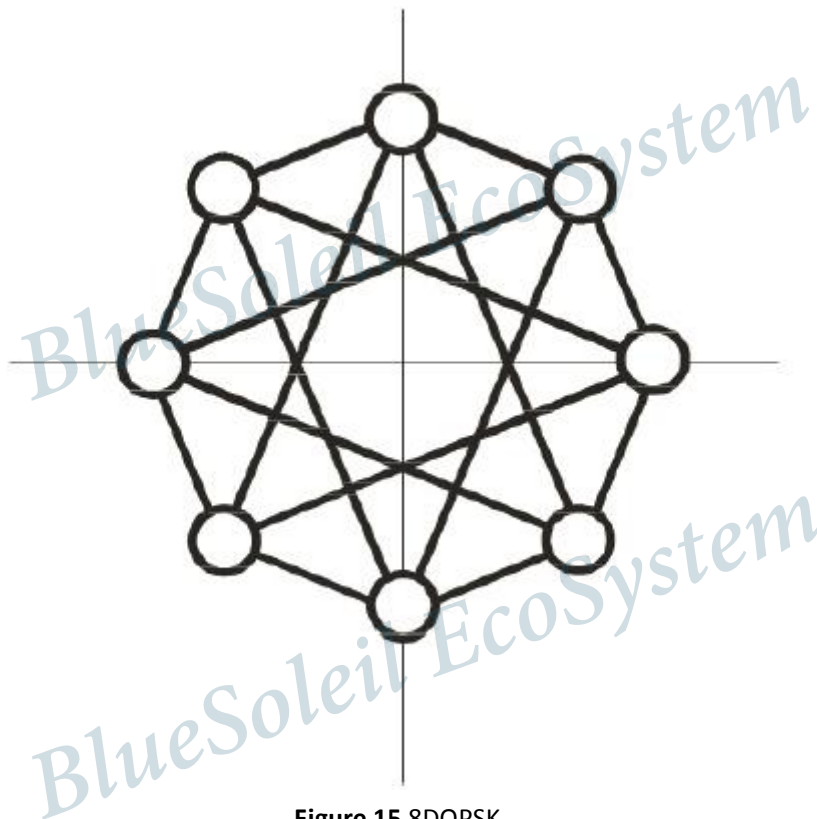
## 6.38DQPSK

8DQPSK includes the following features:

- 8-state Differential Phase-Shift Keying. Refer to Figure 15 below.
- Three bits determine phase shift between consecutive symbols. Refer to Table 13 below.

**Table 13** 3 bits Determine Phase Shift between Consecutive Symbols

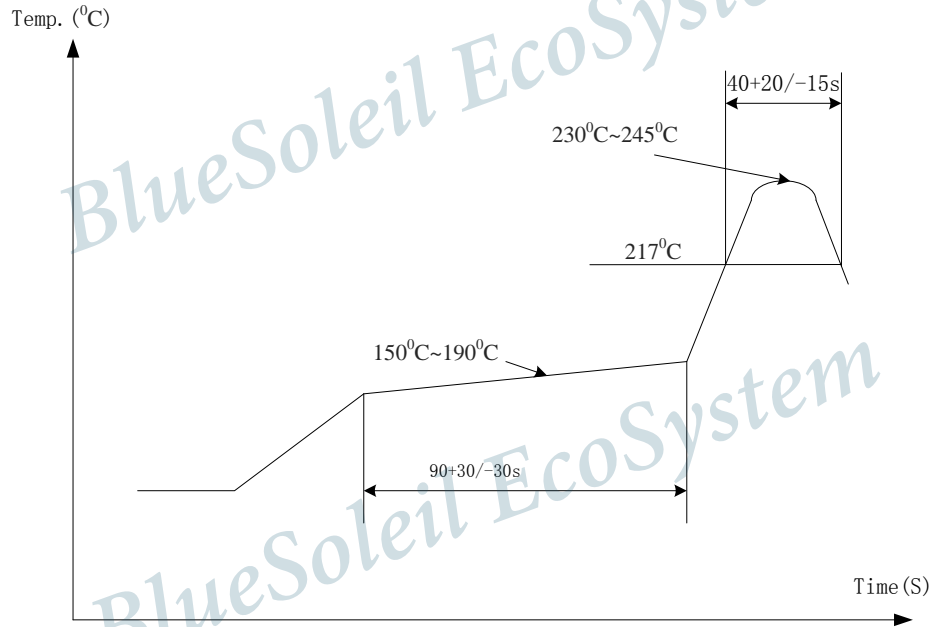
Bit pattern	Phase shift
000	0
001	$\pi/4$
011	$\pi/2$
010	$3 \pi/4$
110	$\pi$
111	$-3 \pi/4$
101	$-\pi/2$
100	$-\pi/4$



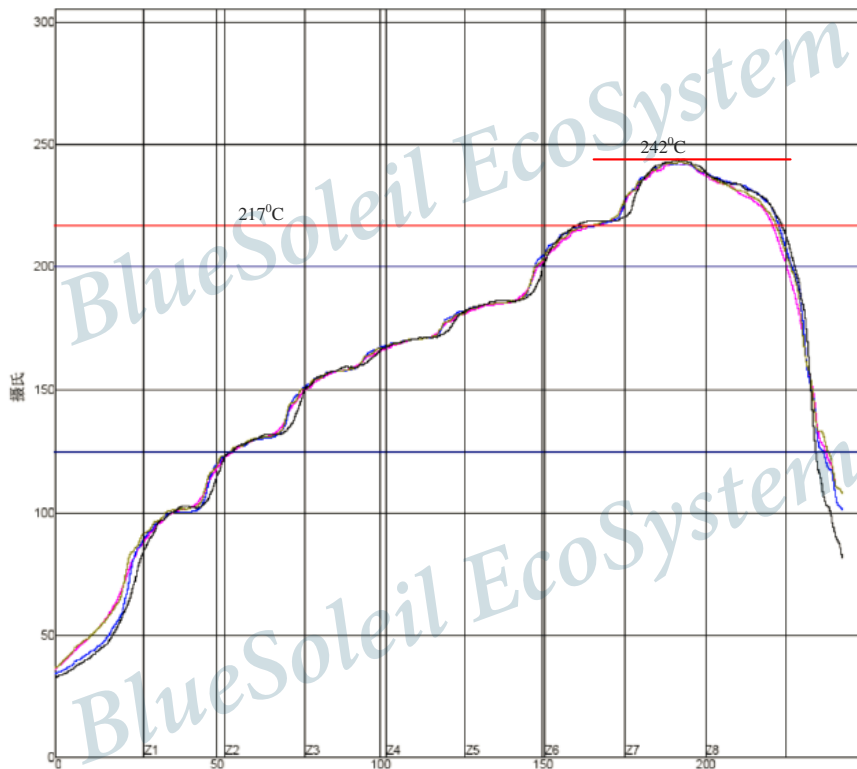
**Figure 15** 8DQPSK

## 7 Re-flow Temperature-time profile

The re-flow profiles are illustrated in Figure 16 and Figure 17 below.



**Figure 16** Typical Lead-free Re-flow Solder Profile



**Figure 17** Typical Lead-free Re-flow

The soldering profile depends on various parameters according to the use of different solder and material. The data here is given only for guidance on solder re-flow. i40e will withstand up to two re-flows to a maximum temperature of 245°C.

## 8 Reliability and Environmental Specification

### 8.1 Temperature test

Put the module in demo board which uses exit power supply, power on the module and connect to mobile. Then put the demo in the -40°C space for 1 hour and then move to +85°C space within 1minute, after 1 hour move back to -40°C space within1 minute. This is 1 cycle. The cycles are 32 times and the units have to pass the testing.

### 8.2 Vibration Test

The module is being tested without package. The displacement requests 1.5mm and sample is vibrated in three directions(X,Y,Z).Vibration frequency set as 0.5G , a sweep rate of 0.1 octave/min from 5Hz to 100Hz last for 90 minutes each direction. Vibration frequency set as 1.5G, a sweep rate of 0.25 octave/min from 100Hz to 500Hz last for 20 minutes each direction.

### 8.3 Desquamation test

Use clamp to fix the module, measure the pull of the component in the module, make sure the module`s soldering is good.

### 8.4 Drop test

Free fall the module (condition built in a wrapper which can defend ESD) from 150cm height to cement ground, each side twice, total twelve times.The appearance will not be damaged and all functions OK.

## 8.5 Packaging information

After unpacking, the module should be stored in environment as follows:

- Temperature:  $25^{\circ}\text{C} \pm 2^{\circ}\text{C}$
- Humidity: <60%
- No acidity, sulfur or chlorine environment

The module must be used in four days after unpacking.

## 9 Layout and Soldering Considerations

### 9.1 Soldering Recommendations

BlueSoleil i40e is compatible with industrial standard reflow profile for Pb-free solders. The reflow profile used is dependent on the thermal mass of the entire populated PCB, heat transfer efficiency of the oven and particular type of solder paste used. Consult the datasheet of particular solder paste for profile configurations.

IVT Corporation will give following recommendations for soldering the module to ensure reliable solder joint and operation of the module after soldering. Since the profile used is process and layout dependent, the optimum profile should be studied case by case. Thus following recommendation should be taken as a starting point guide.

### 9.2 Layout Guidelines

It is strongly recommended to use good layout practices to ensure proper operation of the module. Placing copper or any metal near antenna deteriorates its operation by having effect on the matching properties. Metal shield around the antenna will prevent the radiation and thus metal case should not be used with the module. Use grounding vias separated max 3 mm apart at the edge of grounding areas to prevent RF penetrating inside the PCB and causing an unintentional resonator. Use GND vias all around the PCB edges.

The mother board should have no bare conductors or vias in this restricted area, because it is not covered by stop mask print. Also no copper (planes, traces or vias) are allowed in this area, because of mismatching the on-board antenna.



Figure 18 i40e Restricted Area

Following recommendations helps to avoid EMC problems arising in the design. Note that each design is unique and the following list do not consider all basic design rules such as avoiding capacitive coupling between signal lines. Following list is aimed to avoid EMC problems caused by RF part of the module. Use good consideration to avoid problems arising from digital signals in the design.

Ensure that signal lines have return paths as short as possible. For example if a signal goes to an inner layer through a via, always use ground vias around it. Locate them tightly and symmetrically around the signal vias. Routing of any sensitive signals should be done in the inner layers of the PCB. Sensitive traces should have a ground area above and under the line. If this is not possible, make sure that the return path is short by other means (for example using a ground line next to the signal line).

## 10 Physical Dimensions

BlueSoleil i40e's dimension is 27mm(L)x13mm(W)x2.2mm(H).

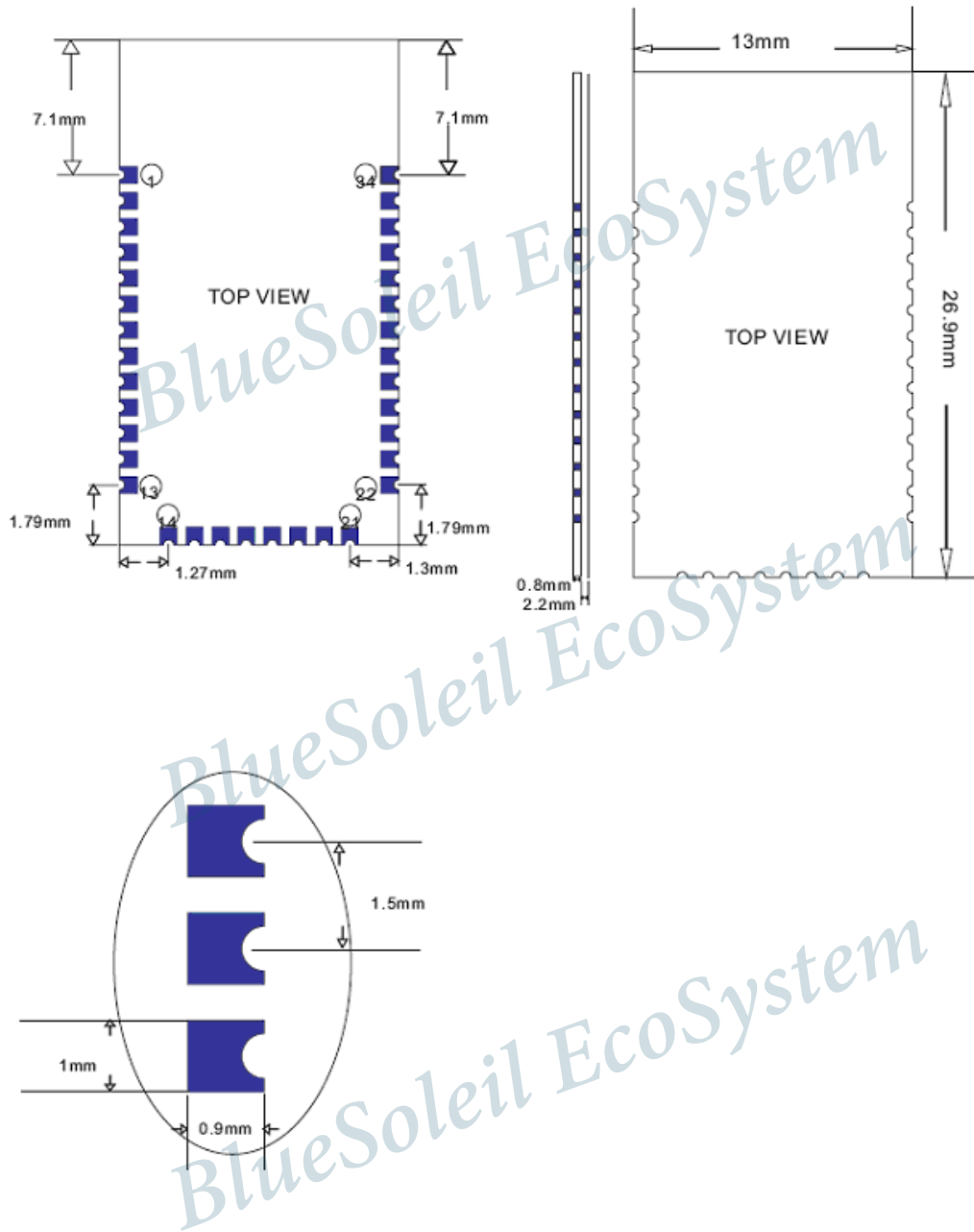
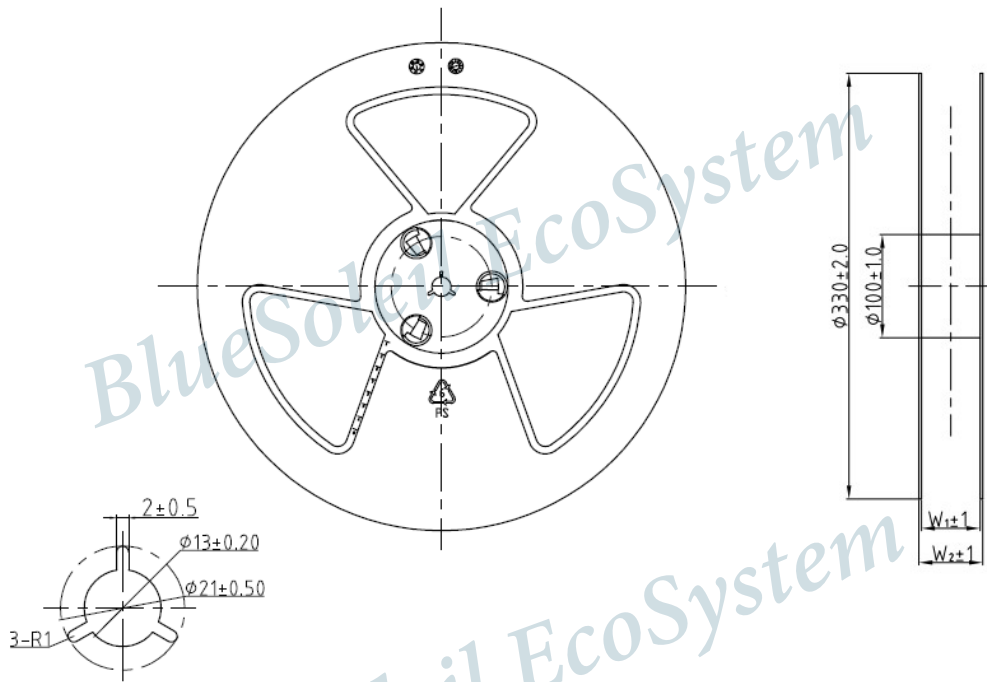


Figure 19 i40e Footprint

## 11 Package

BlueSoleil i40e package information is summarized in Figure 20 and Figure 21 below.



MATERIAL : PS COLOR : BLUE

Width	12mm	16mm	24mm	32mm	44mm	56mm	72mm	88mm
W1	13.5	17.5	25.5	33.5	45.5	57.5	74.0	90
W2	17.5	21.5	29.5	37.5	49.5	61.5	78.0	94

**Figure 20** Reel Information

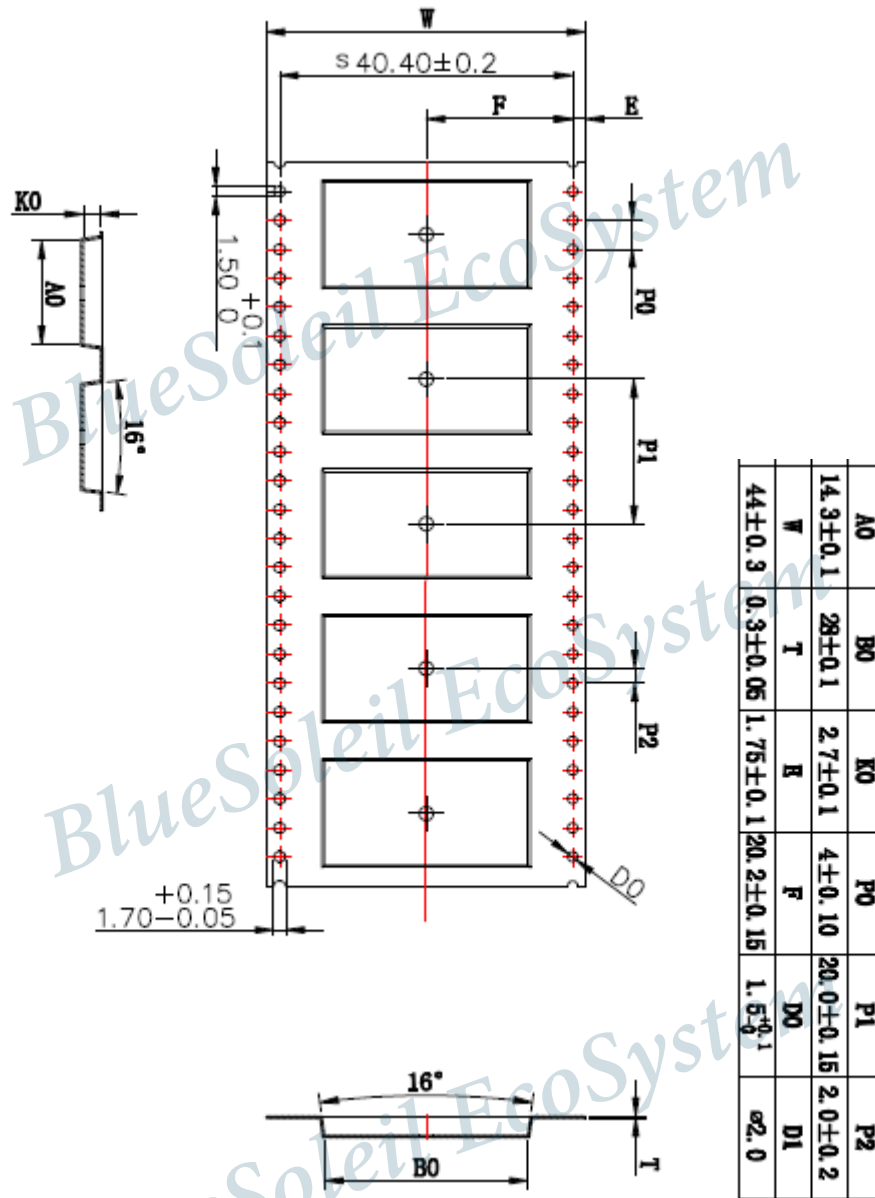


Figure 21 Tape Information

## 12 Certification

### 12.1 Bluetooth

BlueSoleil i40e is qualified as a *Bluetooth* controller subsystem and it fulfills all the mandatory requirements of *Bluetooth* 2.1 + EDR core specification. If not modified in any way, it is a complete *Bluetooth* entity, containing software and hardware functionality as well as the whole RF-part including the antenna. This practically translates to that if the module is used without modification of any kind, it does not need any *Bluetooth* approval work for evaluation on what needs to be tested.





Figure 22 B019398 Certificate

## 12.2 Korea KCC

According to Korean regulations the OEM integrator using a surface mountable module, such as i40e, will be responsible for re-evaluating the end product (including the transmitter) and obtaining a separate authorization for the radio. I40e is fully tested to meet the technical requirements of a radio for Korean market. The declaration is as follows:

**Certificate No.:** KCC-CRM-iVT-I40e

Trade Name or Applicant: IVT Corporation

Equipment Name of the Specified Radio: 특정소출력 무선기기(무선데이터통신시스템용 무선기기)

Equipment certified by Type Trademark: BlueSoleil

Basic Model Number: i40e

Serial Model Number: N/A

Manufacturer/Country of Origin: IVT Corporation / 중국

## 12.3 Japan TELEC

According to Japanese regulations the OEM integrator using a surface mountable module, such as i40e, will be responsible for re-evaluating the end product (including the transmitter) and obtaining a separate authorization for the radio. BlueSoleil i40e is fully tested to meet the technical requirements of a radio for Japanese market. The declaration is as follows:

Certificate No.: 204-240010

PHOENIX TESTLAB GmbH, operating as a Registered Certification Body (RCB ID:204) with respect to Japan, declares that the listed product complies with the Technical Regulations conformity Certification of Specified Radio Equipment (ordinance of MPT NO .37, 1981), Article 2, Paragraph 1, Item 19.

Product description: Bluetooth 2.1+EDR Module

Trademark/Model Name: BlueSoleil / i40e

Family name: --

Serial No: --

Software Release No: --

Type of emissions: F1D/G1D

Frequency and power: Bluetooth 2.1+EDR:2402~2480MHz;79 ch;0.09 mW/MHz

Manufacturer: IVT Corporation

Address: 5/F, Fa Zhan Building No. 12 Shang Di Xin Xi Road

City: Beijing 100085

Country: China

This Certificate is granted to:

Certificate holder: IVT Corporation

**Address:** 5/F, Fa Zhan Building No. 12 Shang Di Xin Xi Road  
**City:** Beijing 100085  
**Country:** China

## 12.4 FCC

**Host manufacturer:** IVT Corporation  
**Limited Host Brand name:** BlueSoleil  
**Host model number:** i40e  
**FCC ID:** S78-IVTI40E

## 12.5 IC

**Host manufacturer:** IVT Corporation  
**Host Brand name:** BlueSoleil  
**Host model number:** i40e  
**IC:** 11004A-IVTI40E

This device complies with Industry Canada licence-exempt RSS standard(s). Operation is subject to the following two conditions: (1) this device may not cause interference, and (2) this device must accept any interference, including interference that may cause undesired operation of the device.

This device complies with Part 15 of the FCC Rules and with RSS-210 of Industry Canada. Operation is subject to the following two conditions: (1) This device may not cause harmful interference, and (2) this device must accept any interference received, including interference that may cause undesired operation.

Le présent appareil est conforme aux CNR d'Industrie Canada applicables aux appareils radio exempts de licence.

L'exploitation est autorisée aux deux conditions suivantes : (1) l'appareil ne doit pas produire de brouillage, et (2) l'utilisateur de l'appareil doit accepter tout brouillage radioélectrique subi, même si le brouillage est susceptible d'en compromettre le fonctionnement.

This Class B digital apparatus complies with Canadian ICES-003.

Cet appareil numérique de la classe B est conforme à la norme NMB-003 du Canada.

NOTE: The manufacturer is not responsible for any radio or TV interference caused by unauthorized modifications or changes to this equipment. Such modifications or changes could void the user's authority to operate the equipment.

NOTE: This equipment has been tested and found to comply with the limits for a Class B digital

device, pursuant to part 15 of the FCC Rules. These limits are designed to provide reasonable protection against harmful interference in a residential installation. This equipment generates uses and can radiate radio frequency energy and, if not installed and used in accordance with the instructions, may cause harmful interference to radio communications. However, there is no guarantee that interference will not occur in a particular installation. If this equipment does cause harmful interference to radio or television reception, which can be determined by turning the equipment off and on, the user is encouraged to try to correct the interference by one or more of the following measures:

- Reorient or relocate the receiving antenna.
- Increase the separation between the equipment and receiver.
- Connect the equipment into an outlet on a circuit different from that to which the receiver is connected.
- Consult the dealer or an experienced radio/TV technician for help.

## 12.6 Bluetooth Technology Best Developed Corporation

IVT Corporation is one of *Bluetooth* technology BEST developed together which is authenticated by The Bluetooth SIG. See Figure 23 below.



Figure 23 IVT is One of *Bluetooth* Technology BEST Developed Together

## 13 Contacts

Contact: Mr. Zhu Yong

Mobile: +86 18910255873

Tel: +86 10 82898219

Fax: +86 10 62963059

Email: [embedded@ivtcorporation.com](mailto:embedded@ivtcorporation.com)

Address: IVT Corporation. 5/F, Fa Zhan Building No.12, Shang Di Xin Xi Road, Beijing, 100085 P.R. China

Company Site: [www.ivtcorporaiton.com](http://www.ivtcorporaiton.com)

Support: [support@ivtcorporation.com](mailto:support@ivtcorporation.com)

## 14 Copyright

**Copyright ©1999-2012 IVT Corporation**

All rights reserved.

IVT Corporation assumes no responsibility for any errors which may appear in the specification.

Furthermore, IVT Corporation reserves the right to alter the hardware, software, and/or specification detailed here at any time without notice and does not make any commitment to update the information contained here.

BlueSoleil is a registered trademark of IVT Corporation for *Bluetooth* production.

The *Bluetooth* trademark is owned by The Bluetooth SIG Inc., USA and is licensed to IVT Corporation.

All other trademarks listed herein are owned by their respective owners.