



BlueSoleil EcoSystem

BlueSoleil EcoSystem



i50e Datasheet

June 27, 2013

Version 1.9

BlueSoleil EcoSystem

BlueSoleil EcoSystem

## VERSION HISTORY

REVISION	AMENDMENT	DATE	AUTHOR
1.0	Initial version	2012-6-25	Wang Yuqiang Zhu Yong
1.1	Added certification, contact information, copyright	2012-8-08	Niu Chong Huang Ruixue
1.2	Revise chapter 2.1	2012-10-12	Li Li
1.3	Add chapter 2.5: add power consumption when i50e works as master	2012-11-16	Li Li
1.4	Update i50e footprint. Refer to Figure 30.	2012-11-22	Wan Zhifu Li Li
1.5	Update format	2012-11-29	Li Li
1.6	Update PIN description. See Table 9. Change UART_CTS to CMOS Input, change UART_RX to CMOS Input	2012-12-21	Li Li
1.7	Add package information	2013-3-4	Li Li
1.8	1. Update Figure2. 2. Add FCC, IC, CE certificate	2013-4-2	Li Li
1.8	Update designated antenna.	2013-4-16	Li Li
1.9	Update descrpitons.	2013-6-27	Li Li

## Contents

1	Block Diagram and Descriptions .....	6
2	Electrical Characteristics .....	8
2.1	Absolute maximum ratings .....	8
2.2	Recommended Operating Conditions.....	8
2.3	Terminal characteristics .....	8
2.4	Battery charger .....	9
2.5	CODEC Characteristics.....	10
2.6	Current Consumption.....	11
2.7	Radio Characteristics and General Specifications .....	11
3	Pin Description .....	12
4	Power Management.....	19
4.1	Power Management Block .....	19
4.2	Battery Charger .....	20
5	Serial Interfaces.....	21
5.1	UART Interface .....	21
5.1.1	UART Configuration While RESET is Active.....	23
5.1.2	UART Bypass Mode .....	23
5.2	SPI Interface .....	24
6	Audio Interfaces .....	24
6.1	Audio Interface.....	24
6.1.1	Audio Input and Output .....	25
6.2	Stereo Audio CODEC Interface .....	26
6.2.1	ADC.....	26
6.2.2	DAC.....	28
6.2.3	IEC 60958 Interface .....	30
6.2.4	Microphone Input .....	30
6.2.5	Line Input .....	32
6.2.6	Output Stage .....	33
6.2.6.1	Mono Operation .....	34
6.2.6.2	Side Tone .....	34
6.2.6.3	Integrated Digital Filter .....	34
6.3	Digital Audio Interface (I2S) .....	34
6.4	PCM Interface.....	38
6.4.1	PCM Interface Master/Slave .....	38
6.4.2	Long Frame Sync .....	39

6.4.3	Short Frame Sync .....	40
6.4.4	Multi Slot Operation.....	40
6.4.5	GCI Interface.....	41
6.4.6	Slots and Sample Formats .....	41
6.4.7	Additional Features .....	42
6.4.8	PCM Configuration .....	42
7	Software Stacks .....	43
7.1	BlueSoleil Stack .....	44
8	Enhanced Data Rate .....	45
8.1	Enhanced Data Rate Baseband .....	45
8.2	Enhanced Data Rate $\sqrt{4}$ DQPSK.....	45
8.3	8DQPSK .....	46
9	Re-flow Temperature-time Profile .....	47
10	Reliability and Environmental Specification .....	48
10.1	Temperature test.....	48
10.2	Vibration Test .....	48
10.3	Desquamation Test.....	48
10.4	Drop Test .....	48
10.5	Packaging Information.....	48
11	Layout and Soldering Considerations.....	49
11.1	Soldering Recommendations .....	49
11.2	Layout Guidelines.....	49
12	Physical Dimensions .....	50
13	Package .....	51
14	Certifications .....	54
14.1	Bluetooth.....	54
14.2	CE 0700 .....	54
14.3	FCC .....	54
14.4	IC .....	55
15	RoHS Statement with a List of Banned Materials.....	56
16	Bluetooth Technology Best Developed Corporation .....	57
17	Contact Information.....	57
18	Copyright.....	58



**DESCRIPTION**

BlueSoleil i50e is a *Bluetooth* 2.1 +EDR (Enhanced Data Rates) class 2 module. It contains all the necessary elements from *Bluetooth* radio to antenna and a fully implemented protocol stack.

By default i50e module is equipped with powerful and easy-to-use BlueSoleil firmware. BlueSoleil enables users to access *Bluetooth* functionality with simple ASCII commands delivered to the module over serial interface - it's just like a *Bluetooth* modem.

Therefore, i50e provides an ideal solution for developers who want to integrate *Bluetooth* wireless technology into their design.

**FEATURES**

- Fully Qualified *Bluetooth* system v2.1 + EDR
- BQB, KCC, TELEC Certification
- Industrial temperature range from -40°C to +85°C
- Integrated audio codec, acoustic echo cancellation algorithm
- Support for 802.11 Coexistence
- 8Mbits or 16Mbits of Flash Memory
- Low power consumption
- RoHS Compliant

**APPLICATIONS**

- High quality stereo headsets
- High quality mono headsets
- Hands-free car kits
- Wireless speakers
- IVI *Bluetooth* Solution



Figure 1 BlueSoleil i50e

# 1 Block Diagram and Descriptions

BlueSoleil i50e's block diagram is illustrated in Figure 2 below.

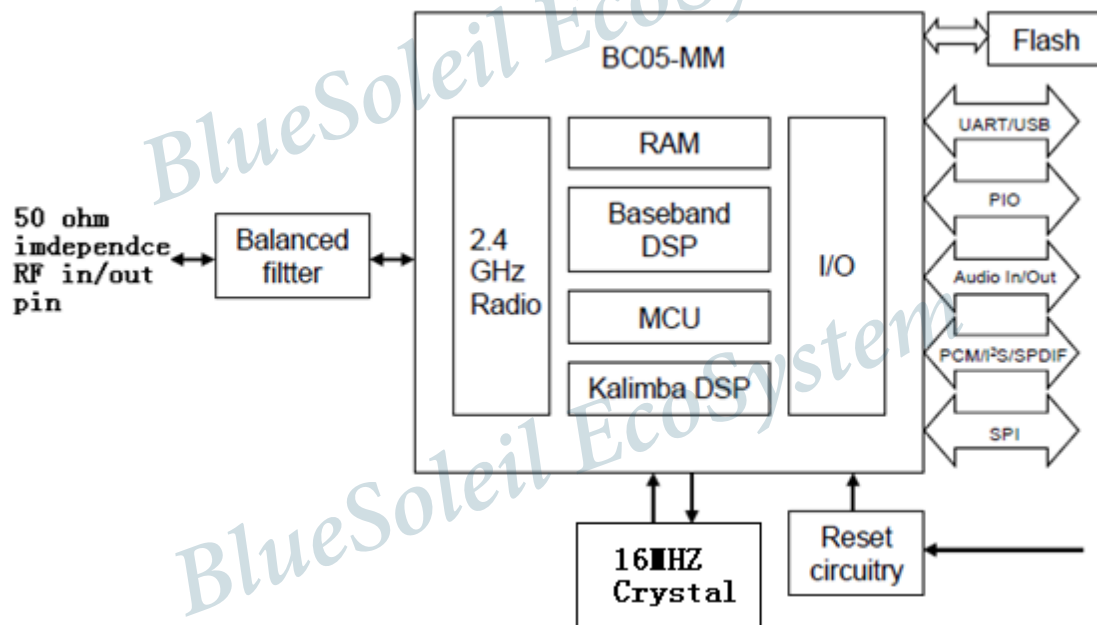


Figure 2 i50e Block Diagram

## BC05-MM

The BlueCore05-MM is a single-chip radio and baseband IC for *Bluetooth* 2.4GHz systems. It provides a fully compliant *Bluetooth* system to v2.1+EDR of the specification for data and voice. BlueCore05-MM contains the Kalimba DSP co-processor with double the MIPS of BlueCore03-MM, supporting enhanced audio applications. BlueCore05-MM integrates a 16-bit stereo codec and it has a fully differential audio interface with a low noise microphone bias.

## Crystal

The crystal oscillates at 16MHz.

## Flash

Flash memory is used for storing the *Bluetooth* protocol stack and Virtual Machine applications. It can also be used as an optional external RAM for memory-intensive applications.

## Balanced Filter

Combined balun and filter changes the balanced input/output signal of the module to unbalanced signal of the antenna. The filter is a band pass filter (ISM band).

### **RF in/out PIN**

i50e does not integrate antenna. The customers can only connect external RF-transceiver antenna to pin 54. It is not a standard antenna jack or connector. And only the PCB antenna, which is the designated antenna, can be connected to this pin. The antenna gain is no more than 1dBi. The designated PCB antenna manufacture is Walsin Technology Corporation. The model of the designated PCB antenna is RFANT3216120A5T Series. Any modifications or changes to the external designated antenna without permission is prohibited.

### **USB**

The USB interface is a full speed Universal Serial Bus (USB) interface for communicating with other compatible digital devices. i50e acts as a USB peripheral, responding to requests from a Master host controller such as a Personal Computer (PC).

### **Synchronous Serial Interface**

This interface is a synchronous serial port interface (SPI) for interfacing with other digital devices. The SPI port can be used for i50e debugging. It can also be used for programming the Flash memory.

### **UART**

This interface is a standard Universal Asynchronous Receiver Transmitter (UART) interface for communicating with other serial devices. UART is usually used to operate i50e by ASCII commands from MCU.

### **PCM / I2S / SPDIF Interface**

This interface is a bi-directional serial programmable audio interface supporting PCM, I2S and SPDIF formats.

### **Audio Interface**

The audio interface of i50e has fully differential inputs and outputs and a microphone bias output. A high-quality stereo audio *Bluetooth* application can be implemented with minimum amount of external components.

### **Programmable I/O**

i50e has a total of 14 digital programmable I/O terminals. These are controlled by the firmware running on the device.

### **Reset**

i50e has a reset circuitry that is used to reset the module in the startup to ensure proper operation of the flash memory. Alternatively, the reset can be externally driven by using a i50e reset pin.

## 2 Electrical Characteristics

### 2.1 Absolute maximum ratings

The module should not continuously run under extreme conditions. The absolute maximum ratings are summarized in Table 1 below. Exposure to absolute maximum rating conditions for extended periods of time may affect reliability and cause permanent damage to the device.

**Table 1** Absolute Maximum Ratings

	Min	Max	Unit
Storage temperature	-40	85	°C
Operating temperature	-40	85	°C
Supply voltage	-0.3	3.6	V
Terminal voltages	V <sub>ss</sub> -0.4	V <sub>dd</sub> + 0.4	V

### 2.2 Recommended Operating Conditions

Recommended operating conditions are summarized in Table 2 below.

**Table 2** Recommended Operating Conditions

	Min	Typ	Max	Unit
Operating temperature	-30	20	85	°C
VDD_IO	1.7	3.3	3.6	V
VDD_BAT	2.5	3.3	4.4	V
VDD_CHG	0	3.3	6.5	V
Terminal voltages	0		V <sub>dd</sub>	V

### 2.3 Terminal characteristics

BlueSoleil i50e's terminal characteristics are summarized in Table 3 below.

**Table 3** Terminal Characteristics

	Min	Typ	Max	Unit
<b>I/O voltage levels</b>				
VIL input logic level low	-0.4	-	0.8	V
VIH input logic level high	0.7×V <sub>dd</sub>	-	V <sub>dd</sub> + 0.4	V
VOL output logic level low	-	-	0.2	V
VOH output logic level high	0.75×V <sub>dd</sub>	-	V <sub>DD</sub>	V
<b>Reset terminal</b>				
V <sub>TH,res</sub> threshold voltage	0.64	0.85	1.5	V



RIRES input resistance		220		kΩ
CIRES input capacitance		220		nF
<b>Input and tri-state current with</b>				
Strong pull-up	-100	-40	-10	μA
Strong pull-down	10	40	100	μA
Weak pull-up	-5	-1	-0,2	μA
Weak pull-down	0,2	1	5	μA
I/O pad leakage current	-1	0	1	μA
<b>LED driver pad</b>				
Off current	-	1	2	μA
On resistance( $V_{pad}$ )	-	20	33	Ω
On resistance, pad enabled by battery charger( $V_{pad} < 0.5V$ )	-	20	50	Ω

## 2.4 Battery charger

BlueSoleil i50e's battery charger characteristics are summarized in Table 4 below.

**Table 4** Battery Charger Characteristic

		Min	Typ.	Max	Unit
VDD_CHG	-	4.5	-	6.5	V
Supply current (a)		-	4.5	6	mA
Battery trickle charge current (b) (c)	Maximum setting	-	14	-	mA
	Minimum setting	-	4	-	mA
Maximum battery fast charge current (d) (c)	Headroom > 0.7 V (e)	-	140	-	mA
HeadrooTHD+N 16Ω load		-		0.1	%
m = 0.3 V		-	120	-	mA
Minimum battery fast charge current (d) (c)	Headroom > 0.7 V	-	40	-	mA
	Headroom = 0.3 V	-	35	-	mA
Trickle charge voltage threshold		-	2.9	-	V
Float voltage (with correct trim value set), VFLOAT(f)		4.17	4.2	4.23	V
Float voltage trim step size (f)		-	50	-	mV
Battery charge termination current, as a percentage of the fast charge current		5	10	20	%
Supply current (a)		-	1.5	2	mA
Battery current		-	-5	-	μA
Battery recharge hysteresis (g)		100	-	200	mV
VDD_CHG under-voltage threshold	VDD_CHG rising	-	3.9	-	V
	VDD_CHG falling	-	3.7	-	V
VDD_CHG - BAT_P lockout	VDD_CHG rising	-	0.22	-	V

threshold	VDD_CHG falling	-	0.17	-	V
Supply current		-	1.5	2	mA
Battery current		-1	-	0	μA

- (a) Current into VDD\_CHG - does not include current delivered to battery ( $I_{VDD\_CHG} - I_{BAT\_P}$ )
- (b)  $BAT\_P < \text{Float voltage}$
- (c) Charge current can be set in 16 equally spaced steps
- (d) Trickle charge threshold  $< BAT\_P < \text{Float voltage}$
- (e) Where headroom =  $VDD\_CHG - BAT\_P$
- (f) Float voltage can be adjusted in 15 steps. Trim setting is determined in production test and must be loaded into the battery charger by firmware during boot-up sequence
- (g) Hysteresis of  $(V_{FLOAT} - BAT\_P)$  for charging to restart

## 2.5 CODEC Characteristics

BlueSoleil i50e's battery charger characteristics are summarized in Table 5 and Table 6 below.

**Table 5** Stereo CODEC ADC Characteristics

Parameter	Conditions	Min	Typ	Max	Unit	
Resolution		-	-	16	Bits	
Input Sample Rate, Fsample		8	-	48	kHz	
Signal to Noise Ratio, SNR	fin = 1kHz B/W = 20Hz→20kHz A-Weighted THD+N < 1% 150mVpk-pk input	Fsample	-	-	-	
		8 kHz	-	95	-	dB
		11.025 kHz	-	95	-	dB
		16 kHz	-	95	-	dB
		22.050 kHz	-	95	-	dB
		32 kHz	-	95	-	dB
44.1 kHz	-	95	-	dB		
Digital Gain	Digital Gain Resolution = 1/32dB	-24	-	21.5	dB	
Analogue Gain	Analogue Gain Resolution = 3dB	0	-	-21	dB	
Output voltage full scale swing (differential)		-	750	-	mV rms	
Allowed Load ResistiveCapacitive		16(8)	-	OC	Ω	
		-	-	500	pF	
THD+N 100kΩ load		-	-	0.01	%	
SNR (Load = 16Ω, 0dBFS input relative to digital silence)		-	95	-	dB	
<b>Stereo CODEC Digital to Analog Converter</b>						
Parameter	Conditions	Min	Typ	Max	Unit	
Resolution		-	-	16	Bits	
Input Sample Rate, Fsample		8	-	48	kHz	

**Table 6** Stereo CODEC DAC Characteristics

Parameters	Conditions	Min	Typ	Max	Unit
Resolution		-	-	16	Bits
Input Sample Rate, Fsample		8	-	44.1	kHz
Signal to Noise Ratio, SNR	Fsample	-	-	-	-
	8 kHz	-	82	-	dB
	11.025 kHz	-	81	-	dB
	16 kHz	-	80	-	dB
	22.050 kHz	-	79	-	dB
	32 kHz	-	79	-	dB
	44.1 kHz	-	78	-	dB
Digital Gain	Digital Gain Resolution = 1/32dB	-24	-	21.5	dB
Analogue Gain	Analogue Gain Resolution = 3dB	-3	-	42	dB
Input full scale at maximum gain (differential)		-	4	-	mV rms
Input full scale at minimum gain (differential)		-	800	-	mV rms
3dB Bandwidth		-	20	-	kHz
Microphone mode input impedance		-	6.0	-	k $\Omega$
THD+N (microphone input) @ 30mV rms input		-	0.04	-	%

## 2.6 Current Consumption

BlueSoleil i50's current consumption is summarized in Table 7 below.

**Table 7** Current Consumption

Operation Mode	Connection Type	UART Rate (kbps)	Average	Unit
Inquiry and Page scan	-	-	4	mA
No data traffic after connecting mobile phone	-	9.6	4.2	mA
Stereo music traffic	Slave	9.6	30	mA
	Master	115.2	28	mA
(e)SCO traffic, that is, hands-free	Slave	9.6	34.7	mA
	Master	115.2	29	mA

## 2.7 Radio Characteristics and General Specifications

BlueSoleil i50's radio characteristics and general specifications are summarized in Table 8 below.

**Table 8** Radio Characteristics and General Specifications

	Specification		Note
Operating frequency range	(2400 ... 2483,5) MHz		ISM Band
Lower guard band	2 MHz		
Upper guard band	3,5 MHz		
Carrier frequency	2402 MHz ... 2480 MHz		$f = 2402 + k$ , $k = 0...78$
Modulation method	GFSK (1 Mbps) P/4 DQPSK (2Mbps)		
Hopping	1600 hops/s, 1 MHz channel space		
Maximum data rate	GFSK	Asynchronous, 723.2 kbps / 57.6 kbps Synchronous: 433.9 kbps / 433.9 kbps	
	P/4 DQPSK	Asynchronous, 1448.5 kbps / 115.2 kbps Synchronous: 869.7 kbps / 869.7 kbps	
	8DQPSK	Asynchronous, 2178.1 kbps / 177.2 kbps Synchronous: 1306.9 kbps / 1306.9 kbps	
Receiving signal range	-82 to -20 dBm		Typical condition
Receiver IF frequency	1.5 MHz		Center frequency
Transmission power	Min	-11 ... -9 dBm	
	Max	+1 ... +3 dBm	
RF input impedance	50		
Compliance	Bluetooth specification, version 2.0 + EDR		
USB specification	USB specification, version 1.1 (USB 2.0 compliant)		

### 3 Pin Description

BlueSoleil i50e's PIN description refers to Figure 3 and Table 9.

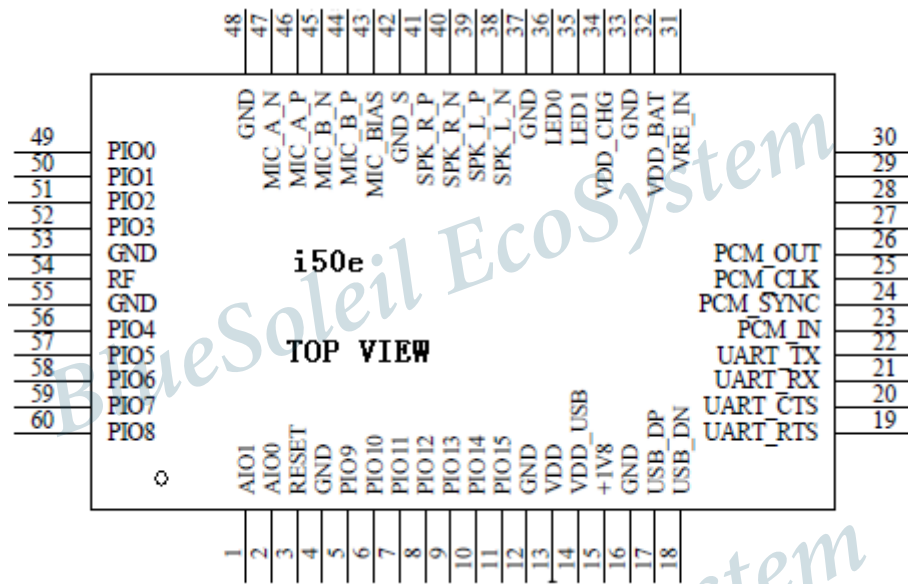


Figure 3 i50e PIN Diagram (Top View)

Table 9 PIN Definition

PIN NO.	Name	Type	Function
1	AIO1	Bi-directional	Programmable input/output line
2	AIO0	Bi-directional	Programmable input/output line
3	RESET	CMOS Input with weak internal pull-up	Reset if low. Input debounced so must be 5ms to cause a reset
4	GND	GND	Ground
5	PIO9	Bi-directional	Programmable input/output line
6	PIO10	Bi-directional	Programmable input/output line
7	PIO11	Bi-directional	Programmable input/output line
8	PIO12	Bi-directional	Programmable input/output line
9	PIO13	Bi-directional	Programmable input/output line

10	PIO14	Bi-directional	Programmable input/output line
11	PIO15	Bi-directional	Programmable input/output line
12	GND	GND	Ground
13	VDD_IO	Power	+3.3V power supply
14	VDD_USB	Power	Positive supply for UART/USB ports
15	VDD_1.8V_OUT	Power	+1.8V power output
16	GND	GND	Ground
17	USB_DP	Bi-directional	USB Data plus
18	USB_DN	Bi-directional	USB Data minus
19	UART_RTS	CMOS Output	UART Request to Send (active low)
20	UART_CTS	CMOS Input	UART Clear to Send (active low)
21	UART_RX	CMOS Input	UART Data input
22	UART_TX	CMOS Output	UART Data output
23	PCM_IN	CMOS Input	Synchronous data input
24	PCM_SYNC	Bi-directional	Synchronous data Sync
25	PCM_CLK	Bi-directional	Synchronous data clock
26	PCM_OUT	CMOS Output	Synchronous data output
27	NC		Used for manufactory
28	NC		Used for manufactory
29	NC		Used for manufactory
30	NC		Used for manufactory

31	VRE_IN	analogue	Take high to enable
32	VDD_BAT	Battery terminal +ve	Lithium ion/polymer battery positive terminal. Battery charger output and input to switch- mode regulator
33	GND	GND	Ground
34	VDD_CHG	Charger input	Lithium ion/polymer battery charger input
35	LED1	Open drain output	LED driver
36	LED0	Open drain output	LED driver
37	GND	GND	Ground
38	SPK_L_N	Analogue	Speaker output negative , left
39	SPK_L_P	Analogue	Speaker output positive , left
40	SPK_R_N	Analogue	Speaker output negative , right
41	SPK_R_P	Analogue	Speaker output positive , right
42	GND	GND	Ground
43	MIC_BIAS	Analogue	Microphone bias
44	MIC_B_P	Analogue	Microphone input positive , right
45	MIC_B_N	Analogue	Microphone input negative , right
46	MIC_A_P	Analogue	Microphone input positive , left
47	MIC_A_N	Analogue	Microphone input negative , left
48	GND	GND	Ground
49	PIO0	Bi-directional	Programmable input/output line

50	PIO1	Bi-directional	Programmable input/output line
51	PIO2	Bi-directional	Programmable input/output line
52	PIO3	Bi-directional	Programmable input/output line
53	GND	GND	Ground
54	RF I/O	RF	RF Interface
55	GND	GND	Ground
56	PIO4	Bi-directional	Programmable input/output line
57	PIO5	Bi-directional	Programmable input/output line
58	PIO6	Bi-directional	Programmable input/output line
59	PIO7	Bi-directional	Programmable input/output line
60	PIO8	Bi-directional	Programmable input/output line

#### **GND**

Connect GND pins to the ground plane of PCB.

#### **GND\_S**

Analog Ground .Connect GND\_S pin to the ground plane of PCB with ferrite bead.

#### **VDD\_IO**

Supply voltage connection for the digital I/Os of the module. Supply voltage at this pin can vary between 1.8 V and 3.3 V. Output voltage swing at the digital terminals of i50e is 0 to VDD\_IO.

#### **VDD\_USB**

Positive supply for UART/USB ports.

#### **VDD\_BAT**

Input for an internal 1.8 V switched mode regulator combined with output of the internal battery charger. See chapter 4.2 for detailed description for the charger. When not powered from a battery, VDD\_IO and VDD\_BAT can be combined to a single 3.3 V supply voltage.



**VRE\_IN**

Enable pin for the internal 1,8 V regulator. This pin should be combined to a 3.3V supply voltage.

**VDD\_CHG**

Charger input voltage. The charger will start operating when voltage to this pin is applied. When the charger is not used, this pin should be left floating. See chapter 4.2 for detailed description of the charger.

**RESET**

The RESET pin is an active low reset. A reset will be performed between 1.5 and 4.0ms following RESET being active. It is recommended that RESET be applied for a period greater than 5ms.

**PIO0 – PIO15**

Programmable digital I/O lines. All PIO lines can be configured through software to have either weak or strong pull-ups or pull-downs. Configuration for each PIO line depends on the application. Default configuration for unused PIO lines is low.

**AIO0 – AIO1**

AIOs can be used to monitor analogue voltages such as a temperature sensor for the battery charger. AIOs can also be configured to be used as digital I/Os. The voltage level at these pins is 0 V to 1.5 V.

**UART\_RTS**

CMOS output with weak internal pull-up. Can be used to implement RS232 hardware flow control where RTS (request to send) is active low indicator. UART interface requires external RS232 transceiver chip.

**UART\_CTS**

CMOS input with weak internal pull-down. Can be used to implement RS232 hardware flow control where CTS (clear to send) is active low indicator. UART interface requires external RS232 transceiver chip.

**UART\_RXD**

CMOS input with weak internal pull-down. UART\_RXD is used to implement UART data transfer from another device to i50e. UART interface requires external RS232 transceiver chip.

**UART\_TXD**

CMOS output with weak internal pull-up. TXD is used to implement UART data transfer from i50e to another device. UART interface requires external RS232 transceiver chip.

**PCM\_OUT**

CMOS output with weak internal pull-down. Used in PCM (pulse code modulation) interface to transmit digitized audio. The PCM interface is shared with the I2S interface.

**PCM\_IN**

CMOS input with weak internal pull-down. Used in PCM interface to receive digitized audio. The PCM interface is shared with the I2S interface.

**PCM\_CLK**

Bi-directional synchronous data clock signal pin with weak internal pull-down. PCM\_CLK is used in PCM interface to transmit or receive CLK signal. When configured as a master, i50e generates clock signal for the PCM interface. When configured as a slave PCM\_CLK is an input and receives the clock signal from another device.

**PCM\_SYNC**

A bi-directional synchronous data strobe with weak internal pull-down. When configured as a master, i50e generates SYNC signal for the PCM interface. When configured as a slave PCM\_SYNC is an input and receives the SYNC signal from another device.

**USB\_D+**

Bi-directional USB data line with a selectable internal 1.5 k pull-up implemented as a current source (compliant with USB specification v1.2) External series resistor is required to match the connection to the characteristic impedance of the USB cable.

**USB\_D-**

Bi-directional USB data line. External series resistor is required to match the connection to the characteristic impedance of the USB cable.

**RF**

Connect external RF-transceiver antenna to this pin.

**MIC\_B\_N and MIC\_B\_P**

Right channel audio inputs. This dual audio input can be configured to be either single-ended or fully differential and programmed for either microphone or line input. Route differential pairs close to each other and use a solid dedicated audio ground plane for the audio signals.

**MIC\_A\_N and MIC\_A\_P**

Left channel audio input. ESD protection and layout considerations similar to right channel audio should be used.

**SPK\_B\_N and SPK\_B\_P**

Right channel audio output. The audio output lines should be routed differentially to either the speakers or to the output amplifier, depending on whether or not a single-ended signal is

required. Use low impedance ground plane dedicated for the audio signals.

#### **SPK\_A\_N and SPK\_A\_P**

Left channel audio output. The same guidelines apply to this section as discussed previously.

#### **MIC\_BIAS**

Bias voltage output for a microphone. Use the same layout guidelines as discussed previously with other audio signals.

#### **LED0/1**

i50e includes a pad dedicated to driving LED indicators. This terminal may be controlled by firmware and it can also be set by the battery charger. The terminal is an open-drain output, so the LED must be connected from a positive supply rail to the pad in series with a current limiting resistor. It is recommended that the LED pad is operated with a pad voltage below 0.5V. In this case, the pad can be thought of as a resistor,  $R_{ON}$ . The resistance together with the external series resistor will set the current,  $I_{LED}$ , in the LED. Value for the external series resistance can be calculated from the Equation 1.

$$I_{LED} = \frac{V_{DD} - V_F}{R_{LED} + R_{ON}}$$

**Equation 1** LED Series Resistor

Where  $V_F$  is the forward voltage drop of the LED,  $I_{LED}$  is the forward current of the LED and  $R_{ON}$  is on resistance (typically 20  $\Omega$ ) of the LED driver.

## **4 Power Management**

### **4.1 Power Management Block**

BlueSoleil i50e contains an internal battery charger and a switch mode regulator that is mainly used for internal blocks of the module. See Figure 4 below. The module can be powered from a single 3.3 V supply provided that  $V_{DD\_CHG}$  is floating. Alternatively the module can be powered from a battery connected to  $V_{DD\_BAT}$  and using an external regulator for  $V_{DD\_IO}$ . 1.8 V to 3.3 V supply voltage for  $V_{DD\_IO}$  can be used to give desired signal levels for the digital interfaces of the module. USB, however, requires 3.3 V for proper operation and thus, when USB is in use, 3.3 V for  $V_{DD\_IO}$  is mandatory. AIO pins of the module use 1.8 V from the internal regulator and thus voltage level with these pins is within 0 V and 1.8 V.

$V_{RE\_IN}$  is used to enable the on-chip regulator of i50e and should be taken high.

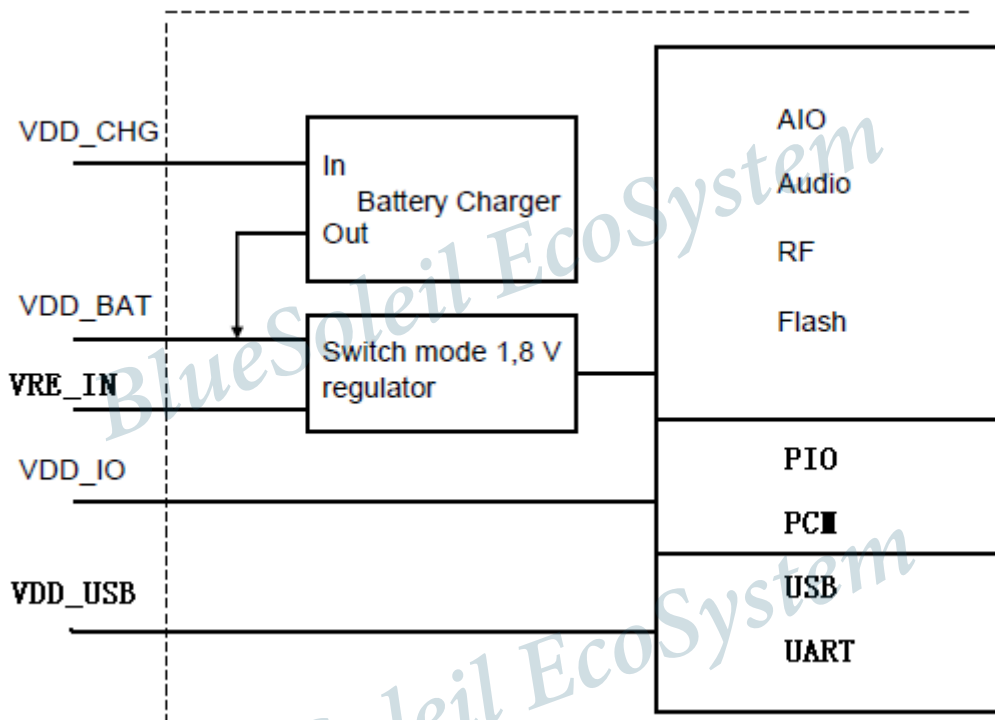


Figure 4 Power Management Block

## 4.2 Battery Charger

The battery charger is a constant current / constant voltage charger circuit, and is suitable for lithium ion/polymer batteries only. It shares a connection to the battery terminal, VDD\_BAT, with the switch-mode regulator.

The constant current level can be varied to allow charging of different capacity batteries. I50e allows a number of different currents to be used in the battery charger hardware. Values written to PS key 0x039b CHARGER\_CURRRENT in the range 1~15 specify the charger current from 40~135mA in even steps. Values outside the valid 0~15 range result in no change to the charging current. The default charging current (Key = 0) is nominally 40mA. Setting 0 is interpreted as “no-change” so will be ignored. The charger enters various states of operation as it charges a battery, including the following status:

- Off: entered when the charger is disconnected.
- Trickle Charge: entered when the battery voltage is below 2.9V.
- Fast Charge - Constant Current: entered when the battery voltage is above 2.9V.
- Fast Charge - Constant Voltage: entered when the battery has reached  $V_{float}$ , the charger switches mode to maintain the cell voltage at  $V_{float}$  voltage by adjusting the constant charge current.
- Standby: this is the state when the battery is fully charged and no charging takes place.

When a voltage is applied to the charger input terminal VDD\_CHG, and the battery is not fully charged, the charger will operate and a LED connected to the terminal LED0 will illuminate. By default, until the firmware is running, the LED will pulse at a low-duty cycle to minimize current consumption. The battery charger circuitry auto-detects the presence of a power source, allowing the firmware to detect, using an internal status bit, when the charger is powered. Therefore, when the charger supply is not connected to VDD\_CHG, the terminal must be left open circuit. The VDD\_CHG pin, when not connected, must be allowed to float and not be pulled to a power rail. When the battery charger is not enabled, this pin may float to a low undefined voltage. Any DC connection will increase current consumption of the device. Capacitive components such as diodes, FETs, and ESD protection, may be connected. The battery charger is designed to operate with a permanently connected battery. If the application permits the charger input to be connected while the battery is disconnected, the VDD\_BAT pin voltage may become unstable. This, in turn, may cause damage to the internal switch-mode regulator. Connecting a 470uF capacitor to VDD\_BAT limits these oscillations thus preventing damage.

## 5 Serial Interfaces

### 5.1 UART Interface

BlueSoleil i50e Universal Asynchronous Receiver Transmitter (UART) interface provides a simple mechanism for communicating with other serial devices using the RS232 standard. See Figure 5 below. The UART interface of i50e uses voltage levels of 0 to Vdd and thus external transceiver IC is required to meet the voltage level specifications of UART.

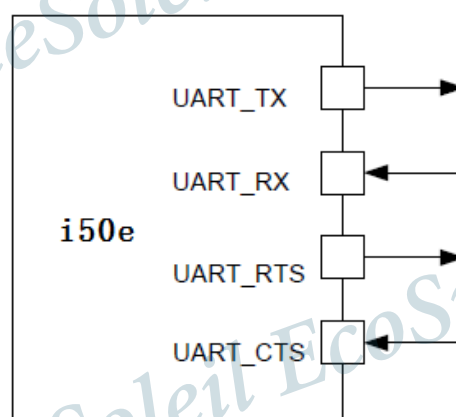


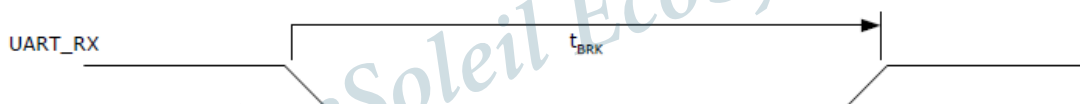
Figure 5 i50e UART interface

Table 10 Possible UART Settings

Parameters		Possible Values
Baud rate	Minimum	1200 baud ( $\leq 2\%$ Error) 9600 baud ( $\leq 1\%$ Error)
	Maximum	3.0Mbaud ( $\leq 1\%$ Error)
Flow control		RTS/CTS, none
Parity		None, Odd, Even
Number of stop bits		1 or 2
Bits per channel		8

Four signals are used to implement the UART function, as shown in Figure 5. When i50e is connected to another digital device, UART\_RX and UART\_TX transfer data between the two devices. The remaining two signals, UART\_CTS and UART\_RTS, can be used to implement RS232 hardware flow control where both are active low indicators. DTR, DSR and DCD signals can be implemented using PIO terminals of i50e. All UART connections are implemented using CMOS technology and have signaling levels of 0V and VDD. In order to communicate with the UART at its maximum data rate using a standard PC, an accelerated serial port adapter card is required for the PC.

The UART interface is capable of resetting i50e upon reception of a break signal. A Break is identified by a continuous logic low (0V) on the UART\_RX terminal, as shown in Figure 6. If  $t_{BRK}$  is longer than the value, defined by the PS Key PSKEY\_HOST\_IO\_UART\_RESET\_TIMEOUT, (0x1a4), a reset will occur. This feature allows a host to initialize the system to a known state. Also, i50e can emit a Break character that may be used to wake the Host. See Figure 6 below.



**Figure 6** Break Signal

Since UART\_RX terminal includes weak internal pull-down, it can't be left open unless disabling UART interface using PS\_KEY settings. If UART is not disabled, a pull-up resistor has to be connected to UART\_RX. UART interface requires external RS232 transceiver, which usually includes the required pull-up.

Table 11 shows a list of commonly used Baud rates and their associated values for the Persistent Store Key PSKEY\_UART\_BAUD\_RATE (0x204). There is no requirement to use these standard values. Any Baud rate within the supported range can be set in the Persistent Store Key according to the formula in Equation 2 below.

$$\text{Baud Rate} = \frac{\text{PSKEY\_UART\_BAUD\_RATE}}{0.004096}$$

**Equation 2** Baud Rate Calculation Formula

**Table 11** UART Baud Rates and Error Values

Baud Rate	Persistent store values		Error
	Hex	Dec	
1200	0x0005	5	1.73%
2400	0x000a	10	1.73%
4800	0x0014	20	1.73%
9600	0x0027	39	-0.82%
19200	0x004f	79	0.45%
38400	0x009d	157	-0.18%
57600	0x00ec	263	0.03%
76800	0x013b	315	0.14%
115200	0x01d8	472	0.03%
230400	0x03b0	944	0.03%
460800	0x075f	1887	-0.02%
921600	0x0ebf	3775	0.00%
1382400	0x161e	5662	-0.01%
1843200	0x1d7e	7550	0.00%
2765800	0x2c3d	11325	0.00%

### 5.1.1 UART Configuration While RESET is Active

The UART interface for i50e while the chip is being held in reset is tri-state. This will allow the user to daisy chain devices onto the physical UART bus. The constraint on this method is that any devices connected to this bus must tri-state when i50e reset is de-asserted and the firmware begins to run.

### 5.1.2 UART Bypass Mode

Alternatively, for devices that do not tri-state the UART bus, the UART bypass mode on i50e can be used. The default state of i50e after reset is de-asserted, this is for the host UART bus to be connected to the i50e UART, thereby allowing communication to i50e via the UART.

In order to apply the UART bypass mode, a BCCMD command will be issued to i50e upon this, it will switch the bypass to PIO[7:4] as shown in Figure 7. Once the bypass mode has been invoked, i50e will enter the deep sleep state indefinitely.

In order to re-establish communication with i50e, the chip must be reset so that the default configuration takes affect.

It is important for the host to ensure a clean *Bluetooth* disconnection of any active links before the bypass mode is invoked. Therefore it is not possible to have active *Bluetooth* links while operating the bypass mode.

The current consumption for a device in UART Bypass Mode is equal to the values quoted for a device in standby mode. See Figure 7 below.

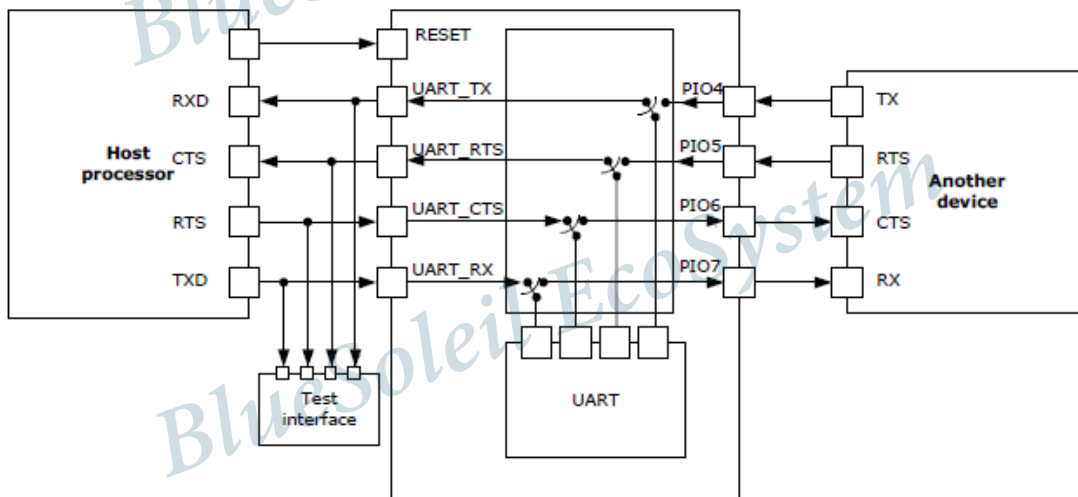


Figure 7 UART Bypass Mode

## 5.2 SPI Interface

The synchronous serial port interface (SPI) is for interfacing with other digital devices. The SPI port can be used for system debugging. It can also be used for programming the Flash memory. SPI interface is connected using the MOSI, MISO, CSB and CLK pins. SPI interface is only used for debugging and updating firmware.

# 6 Audio Interfaces

## 6.1 Audio Interface

The audio interface circuit consists of the following components.

- Stereo audio CODEC



- Dual audio inputs and outputs
- A configurable PCM, I2S or SPDIF interface

Figure 8 below outlines the functional blocks of the interface. The CODEC supports stereo playback and recording of audio signals at multiple sample rates with a resolution of 16-bit. The ADC and the DAC of the CODEC each contain two independent channels. Any ADC or DAC channel can be run at its own independent sample rate.

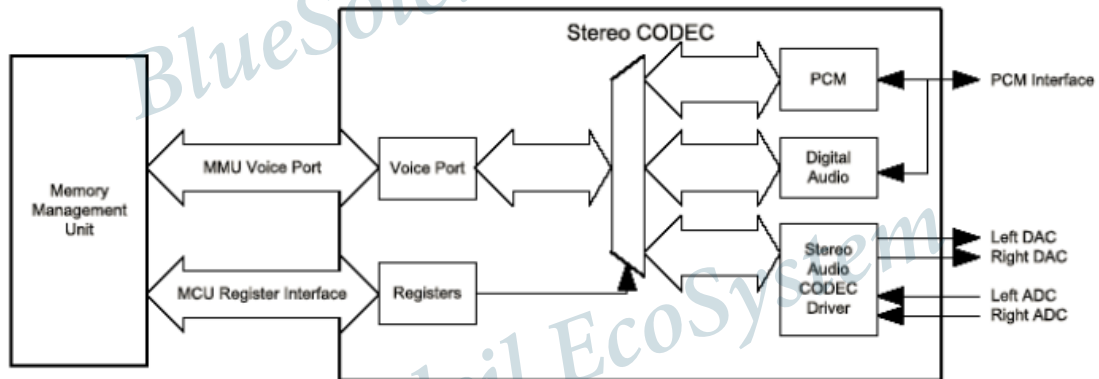


Figure 8 Audio Interface

The interface for the digital audio bus shares the same pins as the PCM CODEC interface, which means that each of the audio buses are mutually exclusive in their usage. These alternative functions are summarized in Table 12 below.

Table 12 Alternative functions of the digital audio bus interface on the PCM interface

PCM Interface	SPDIF Interface	I2S Interface
PCM_OUT	SPDIF_OUT	SD_OUT
PCM_IN	SPDIF_IN	SD_IN
PCM_SYNC		WS
PCM_CLK		SCK

### 6.1.1 Audio Input and Output

The audio input circuitry consists of a dual audio input that can be configured to be either single-ended or fully differential and programmed for either microphone or line input. It has an analogue and digital programmable gain stage for optimization of different microphones.

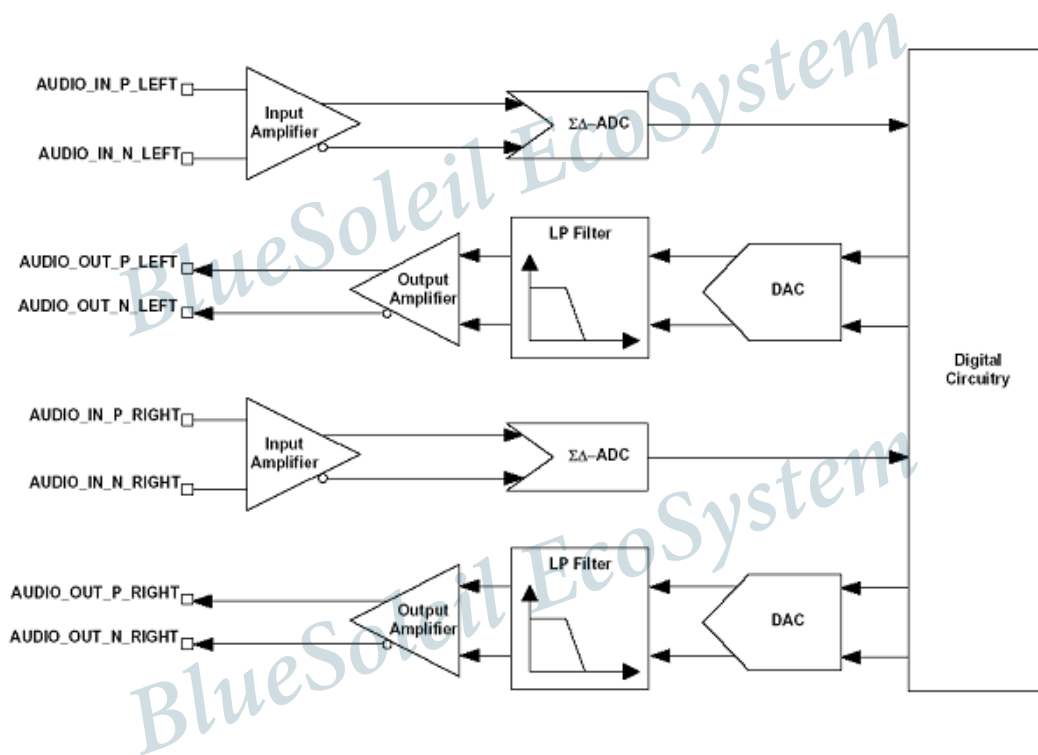
Audio signals are very sensitive to noise caused by the *Bluetooth* radio and it is highly recommended to always use fully differential signals.

The audio output circuitry consists of a dual differential class A-B output stage.

## 6.2 Stereo Audio CODEC Interface

The main features of the interface are as follows.

- Stereo and mono analogue input for voice band and audio band
- Stereo and mono analogue output for voice band and audio band
- Support for stereo digital audio bus standards such as I2S
- Support for IEC-60958 standard stereo digital audio bus standards, e.g. S/PDIF and AES3/EBU
- Support for PCM interfaces including PCM master CODECs that require an external system clock



**Figure 9** Stereo CODEC Audio Input and output Stages

The stereo audio CODEC uses a fully differential architecture in the analogue signal path, which results in low noise sensitivity and good power supply rejection while effectively doubling the signal amplitude. It operates from a single power-supply of 1.5V and uses a minimum of external components.

### 6.2.1 ADC

The ADC consists of two second-order Sigma Delta converters allowing two separate channels that are identical in functionality, as shown in Figure 10.

Each ADC supports the following sample rates:

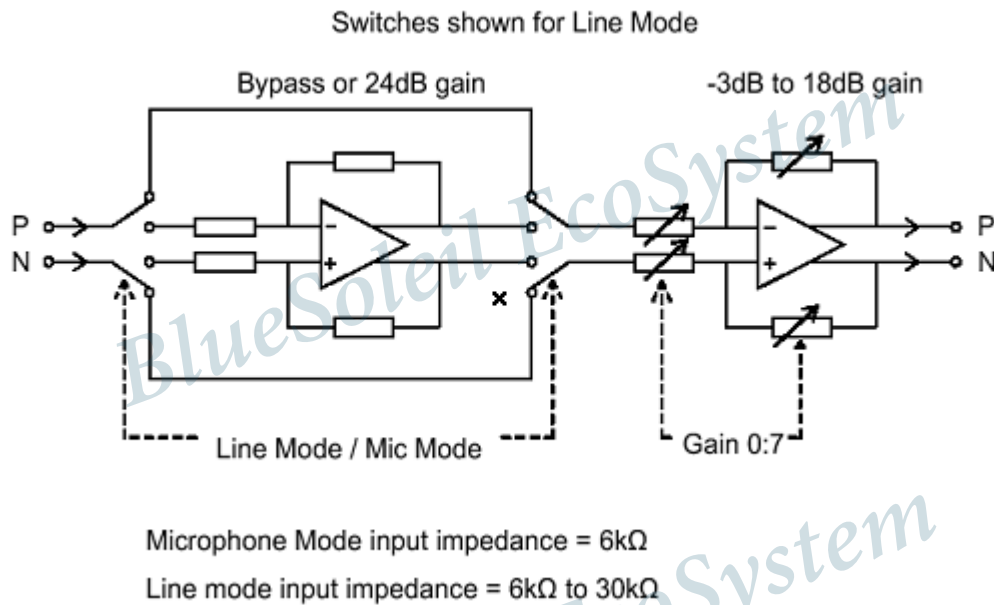
- 8kHz
- 11.025kHz
- 16kHz
- 22.05kHz
- 24kHz
- 32kHz
- 44.1kHz

The ADC contains two gain stages for each channel, an analogue and a digital gain stage. The digital gain stage has a programmable selection value in the range of 0 to 15 with the associated ADC gain settings summarized in Table 13 below. There is also a high resolution digital gain mode that allows the gain to be changed in 1/32dB steps. Please contact IVT Corporation for more information.

**Table 13** ADC Digital Gain Rate Selection

Gain Selection Value	ADC Digital Gain Setting (dB)
0	0
1	3.5
2	6
3	9.5
4	12
5	15.5
6	18
7	21.5
8	-24
9	-20.5
10	-18
11	-14.5
12	-12
13	-8.5
14	-6
15	-2.5

The ADC analogue amplifier is a two-stage amplifier. The first stage of the analogue amplifier is responsible for selecting the correct gain for either microphone input or line input and, therefore, has two gain settings, one for the microphone and one for the line input. Refer to the chapter 6.2.4 and 6.2.5. In simple terms, the first stage amplifier has a selectable 24dB gain stage for the microphone and this creates the dual programmable gain required for the microphone or the line input. The equivalent block diagram for the two stages is shown in Figure 10 below.



**Figure 10** ADC Analogue Amplifier Block Diagram

The second stage of the analogue amplifier shown in Figure 10 has a programmable gain with seven individual 3dB steps. In simple terms, by combining the 24dB gain selection of the microphone input with the seven individual 3dB gain steps, the overall range of the analogue amplifier is approximately -3dB to 42dB in 3dB steps. The overall gain control of the ADC is controlled by a VM function.

## 6.2.2 DAC

The DAC consists of two third-order Sigma Delta converters allowing two separate channels that are identical in functionality as shown in Figure 10 above. Each DAC supports the following samples rates:

- 8kHz
- 11.025kHz
- 16kHz
- 22.050kHz
- 24kHz
- 32kHz
- 44.1kHz
- 48kHz

The default setting for A2DP is 44.1 kHz and for HFP 8 kHz.

The DAC contains two gain stages for each channel: a digital and an analogue gain stage. The digital gain stage has a programmable selection value in the range of 0 to 15 with associated DAC gain settings. This is summarized in Table 14. There is also a high resolution digital gain mode that allows the gain to be changed in 1/32dB steps. Please contact IVT Corporation for more information.

**Table 14** DAC Digital Gain Rate Selection

Gain Selection Value	ADC Digital Gain Setting (dB)
0	0
1	3.5
2	6
3	9.5
4	12
5	15.5
6	18
7	21.5
8	-24
9	-20.5
10	-18
11	-14.5
12	-12
13	-8.5
14	-6
15	-2.5

The DAC analogue amplifier has a programmable gain with seven individual 3dB steps. The overall gain control of the DAC is controlled by a VM function. This setting is a combined function of the digital and analogue amplifier settings, therefore, for a 1V rms nominal digital output signal from the digital gain stage of the DAC, the following approximate output values of the analogue amplifier of the DAC can be expected:

**Table 15** DAC Analogue Gain Rate Selection

Analogue Gain Setting	DAC Gain Setting (dB)
7	3
6	0
5	-3
4	-6
3	-9
2	-12
1	-15
0	-18

### 6.2.3 IEC 60958 Interface

The IEC 60958 interface is a digital audio interface that uses bi-phase coding to minimize the DC content of the transmitted signal and allows the receiver to decode the clock information from the transmitted signal. The IEC 60958 specification is based on the two industry standards AES/EBU and the Sony and Philips interface specification SPDIF. The interface is compatible with IEC 60958-1, IEC 60958-3 and IEC 60958-4.

The SPDIF interface signals are SPDIF\_IN and SPDIF\_OUT and are shared on the PCM interface pins. The input and output stages of the SPDIF pins can interface either to a 75Ω Coaxial cable with an RCA connector. See Figure 11 below. Or there is an option to use an optical link that uses Toslink optical components. See Figure 12 below.

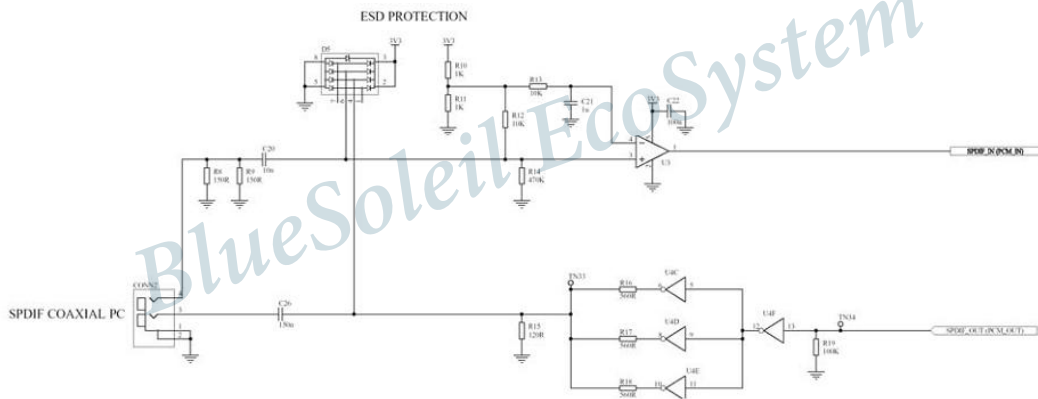


Figure 11 Example circuit for SPDIF interface (Co-Axial)



Figure 12 Example circuit for SPDIF interface (Optical)

### 6.2.4 Microphone Input

The audio-input is intended for use from 1μA@94dB SPL to about 10μA@94dB SPL. With biasing resistors R1 and R2 equal to 1kΩ, this requires microphones with sensitivity between about -40dBV and -60dBV.

The MIC\_BIAS is like any voltage regulator and requires a minimum load to maintain regulation. The MIC\_BIAS will maintain regulation within the limits 0.2~1.53 mA depending on the bias current setting. This means that if a microphone that sits below these limits is used, the microphone output must be pre-loaded with a large value resistor to ground.

MIC\_BIAS line either is used as an enable signal for an external biasing regulator. The default setting for the bias current in i50e is 0.2 mA and it is recommended to use an external low noise biasing regulator for the best noise performance. The recommended microphone biasing circuitry is shown in Figure 13 below.

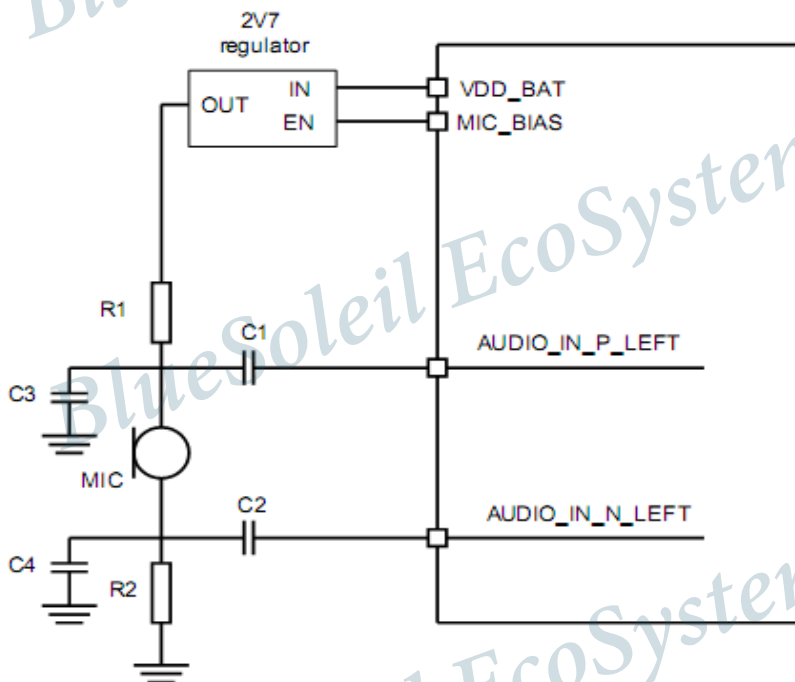


Figure 13 Recommended Microphone Biasing (left channel shown)

The input impedance at AUDIO\_IN\_N\_LEFT, AUDIO\_IN\_P\_LEFT, AUDIO\_IN\_N\_RIGHT and AUDIO\_IN\_P\_RIGHT is typically 6.0kΩ. C1 and C2 should be 150nF if bass roll-off is required to limit wind noise on the microphone. R1 sets the microphone load impedance and is normally in a range of 1 to 2kΩ. R2, C3 and C4 improve the supply rejection by decoupling supply noise from the microphone. Values should be selected as required. R1 may be connected to a convenient supply, in which case the bias network is permanently enabled, or to the output of the biasing regulator which may be configured to provide bias only when the microphone is required.

The microphone bias provides a 4-bit programmable output voltage with a 4-bit programmable output current, shown in Table 16 and Table 17.

Table 16 Voltage Output Step

Output Step	Typical Voltage Level (V)
0	1.71
1	1.76

2	1.82
3	1.87
4	1.95
5	2.02
6	2.10
7	2.18
8	2.32
9	2.43
10	2.56
11	2.69
12	2.9
13	3.08
14	3.33
15	3.57

**Table 17** Current Output Step

Output Step	Typical Current (mA)
0	0.199
1	0.284
2	0.336
3	0.419
4	0.478
5	0.529
6	0.613
7	0.672
8	0.754
9	0.809
10	0.862
11	0.948
12	1.004
13	1.091
14	1.142
15	1.229

### 6.2.5 Line Input

If the input analogue gain is set to less than 21dB, i50e automatically selects line input mode. In line input mode, the first stage of the amplifier is automatically disabled, providing additional power saving. In line input mode, the input impedance varies from 6k $\Omega$ -30k $\Omega$ , depending on the volume setting. Figure 14 and Figure 15 show two circuits for line input operation and show connections for either differential or single-ended inputs.



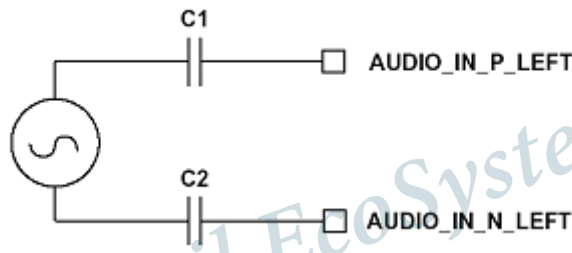


Figure 14 Differential input (left channel shown)

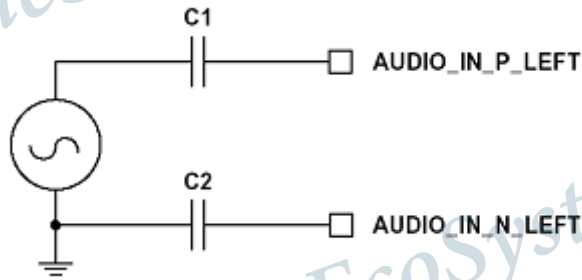


Figure 15 Single ended input (left channel shown)

### 6.2.6 Output Stage

The output digital circuitry converts the signal from 16-bit per sample, linear PCM of variable sampling frequency to a 2Mbits/s 5-bit multi-bit bit stream, which is fed into the analogue output circuitry.

The output circuit is comprised of a digital to analogue converter with gain setting and an output amplifier. Its class AB output stage is capable of driving a signal on both channels of up to 2Vpk-pk differential into a load of 16Ω. The output is available as a differential signal between AUDIO\_OUT\_N\_LEFT and AUDIO\_OUT\_P\_LEFT for the left channel. See Figure 16 below; and between AUDIO\_OUT\_N\_RIGHT and AUDIO\_OUT\_P\_RIGHT for the right channel. The output is capable of driving a speaker directly if its impedance is at least 8Ω at reduced output swing and if only one channel is connected or an external regulator is used.

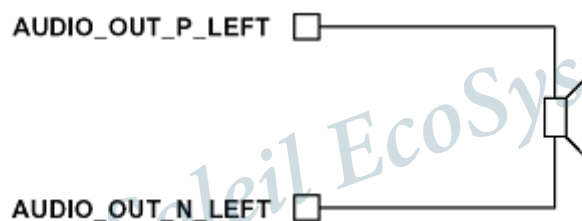


Figure 16 Speaker Output (left channel shown)

The analogue gain of the output stage is controlled by a 3-bit programmable resistive divider, which sets the gain in steps of approximately 3dB.

The multi-bit bit stream from the digital circuitry is low pass filtered by a third order filter with a pole at 20 kHz. The signal is then amplified in the fully differential output stage, which has a gain bandwidth of typically 1MHz.

### 6.2.6.1 Mono Operation

Mono operation is a single-channel operation of the stereo CODEC. The left channel represents the single mono channel for audio in and audio out. In mono operation, the right channel is an auxiliary mono channel that may be used in dual mono channel operation.

With single mono, the power consumption can be reduced by disabling the other channel.

### 6.2.6.2 Side Tone

In some applications, it is necessary to implement a side tone. This involves feeding an attenuated version of the microphone signal to the earpiece. The BlueCore5.Multimedia External CODEC contains a side tone circuitry to do this. The side tone hardware is configured through the following PS Keys:

PSKEY\_SIDE\_TONE\_ENABLE

PSKEY\_SIDE\_TONE\_GAIN

PSKEY\_SIDE\_TONE\_AFTER\_ADC

PSKEY\_SIDE\_TONE\_AFTER\_DAC

### 6.2.6.3 Integrated Digital Filter

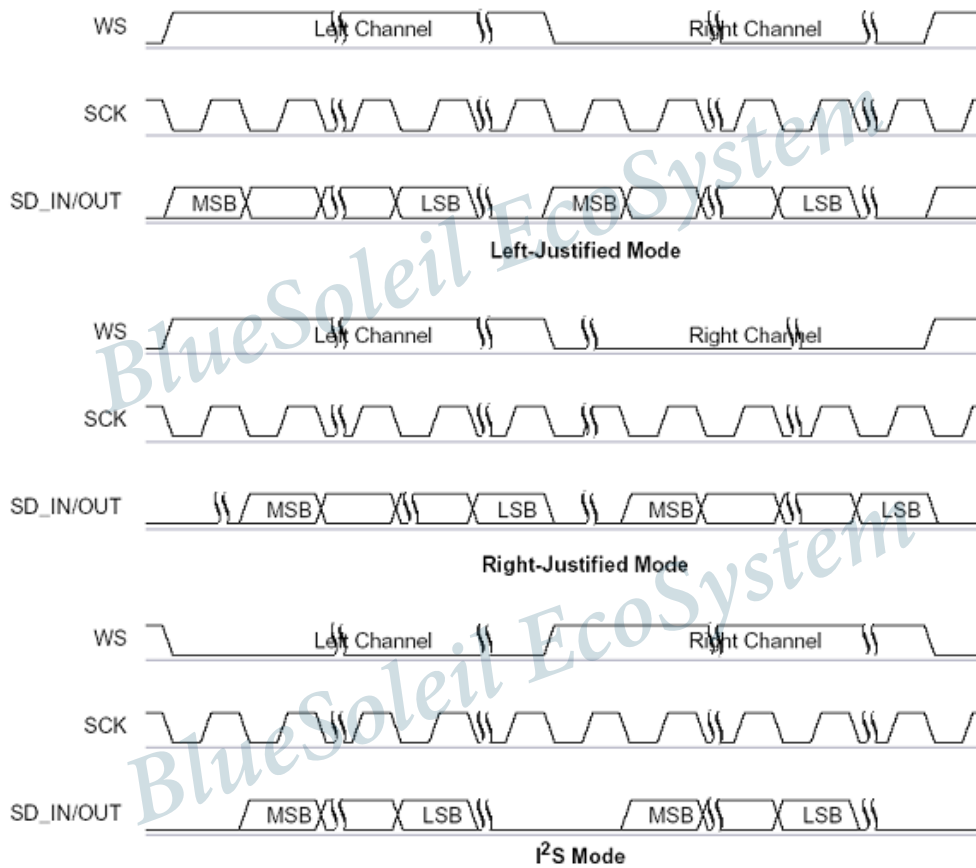
TBA

## 6.3 Digital Audio Interface (I2S)

The digital audio interface supports the industry standard formats for I2S, left-justified (LJ) or right-justified (RJ). The interface shares the same pins as the PCM interface, which means that each audio bus is mutually exclusive in its usage. These alternative functions are summarized in Table 18 below. Figure 17 shows the timing diagram.

**Table 18** Alternative Functions of the Digital Audio Bus Interface on the PCM Interface

PCM Interface	I2S Interface
PCM_OUT	SD_OUT
PCM_IN	SD_IN
PCM_SYNC	WS
PCM_CLK	SCK



**Figure 17** Digital Audio Interface Modes

Table 19 below introduces the values for the PS Key (PSKEY\_DIGITAL\_AUDIO\_CONFIG) that is used to set-up the digital audio interface. For example, to configure an I2S interface with 16-bit SD data set PSKEY\_DIGITAL\_CONFIG to 0x0406.

**Table 19** PSKEY\_DIGITAL\_AUDIO\_CONFIG

Bit	Mask	Name	Description
D[0]	0x0001	CONFIG_JUSTIFY_FORMAT	0 for left justified, 1 for right justified.
D[1]	0x0002	CONFIG_LEFT_JUSTIFY_DELAY	For left justified formats: 0 is MSB of SD data occurs in the first SCLK period following WS transition. 1 is MSB of SD data occurs in the second SCLK period.
D[2]	0x0004	CONFIG_CHANNEL_POLARITY	For 0, SD data is left channel when WS is high. For 1 SD data is right channel.
D[3]	0x0008	CONFIG_AUDIO_ATTEN_EN	For 0, 17 bit SD data is rounded down to 16 bits. For 1, the audio attenuation defined

			in CONFIG_AUDIO_ATTEN is applied over 24 bits with saturated rounding. Requires CONFIG_16_BIT_CROP_EN to be 0.
D[7:4]	0x00F0	CONFIG_AUDIO_ATTEN	Attenuation in 6 dB steps.
D[9:8]	0x0300	CONFIG_JUSTIFY_RESOLUTION	Resolution of data on SD_IN, 00=16 bit, 01=20 bit, 10=24 bit, 11=Reserved. This is required for right justified format and with left justified LSB first.
D[10]	0x0400	CONFIG_16_BIT_CROP_EN	For 0, 17 bit SD_IN data is rounded down to 16 bits. For 1 only the most significant 16 bits of data are received.

The internal representation of audio samples within BlueCore5.Multimedia External is 16-bit and data on SD\_OUT is limited to 16-bit per channel. Digital audio interface slave timing refers to Table 20 and Figure 18 below.

**Table 20** Digital Audio Interface Slave Timing

Symbol	Parameter	Min	Typ	Max	Unit
-	SCK Frequency	-	-	6.2	MHZ
-	WS Frequency	-	-	96	kHz
t <sub>ch</sub>	SCK high time	80	-	-	ns
t <sub>cl</sub>	SCK low time	80	-	-	ns
t <sub>opd</sub>	SCK to SD_OUT delay	-	-	20	ns
t <sub>ssu</sub>	WS to SCK set-up time	20	-	-	ns
t <sub>sh</sub>	WS to SCK hold time	20	-	--	ns
t <sub>isu</sub>	SD_IN to SCK set-up time	20	-	-	ns
t <sub>ih</sub>	SD_IN to SCK hole time	20	-	-	ns

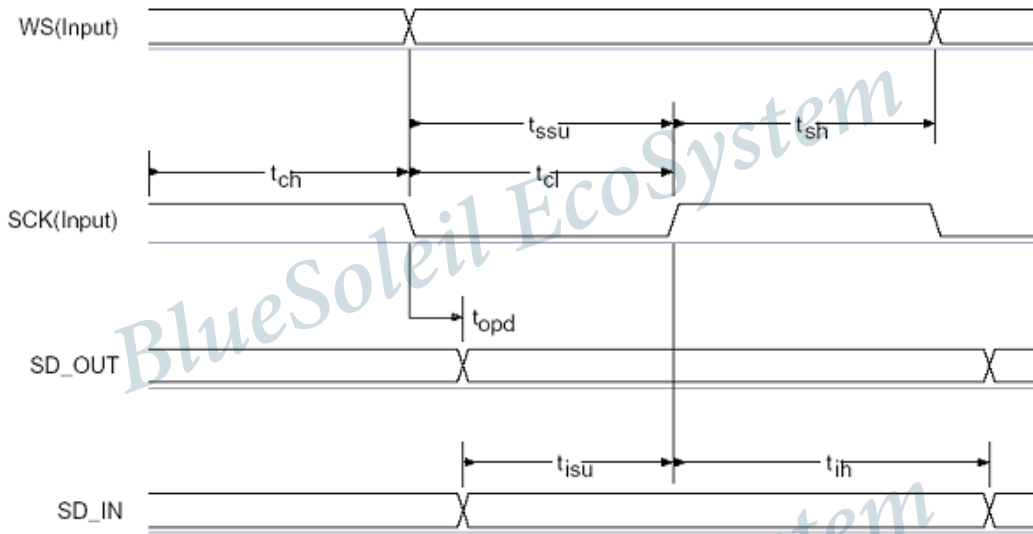


Figure 18 Digital Audio Interface Slave Timing

Digital audio interface slave timing refers to Table 21 and Figure 19 below.

Table 21 Digital Audio Interface Master Timing

Symbol	Parameter	Min	Typ	Max	Unit
-	SCK Frequency	-	-	6.2	MHZ
-	WS Frequency	-	-	96	kHz
$t_{opd}$	SCK to SD_OUT delay	-	-	20	ns
$t_{spd}$	SCK to WS delay	-	-	-	ns
$t_{isu}$	SD_IN to SCK set-up time	20	-	-	ns
$t_{ih}$	SD_IN to SCK hole time	20	-	-	ns

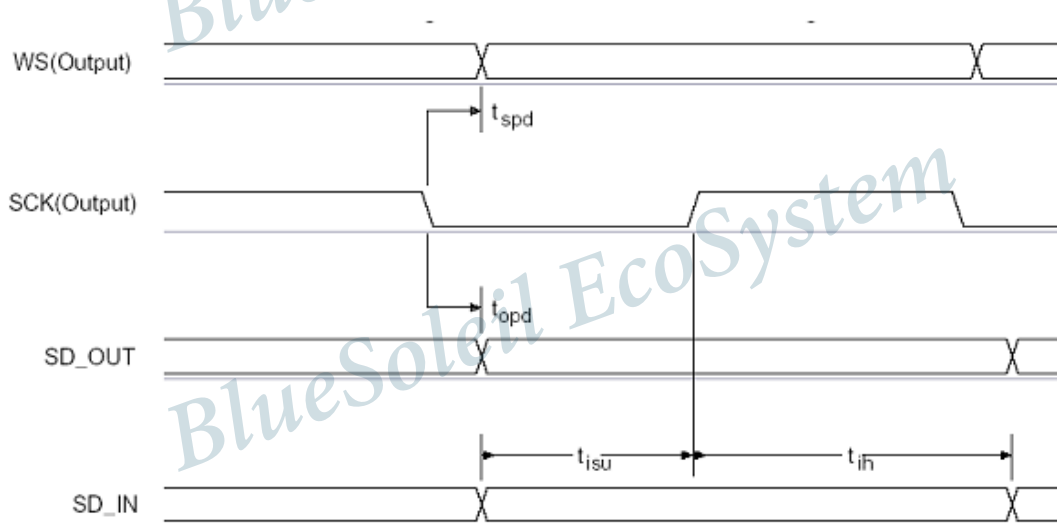


Figure 19 Digital Audio Interface Master Timing

## 6.4 PCM Interface

Pulse Code Modulation (PCM) is a standard method used to digitize audio (particularly voice) patterns for transmission over digital communication channels. Through its PCM interface, i50e has hardware support for continual transmission and reception of PCM data, thus reducing processor overhead for wireless headset applications. i50e offers a bi directional digital audio interface that routes directly into the baseband layer of the on chip firmware. It does not pass through the HCI protocol layer.

Hardware on i50e allows the data to be sent to and received from a SCO connection. Up to three SCO connections can be supported by the PCM interface at any one time.

i50e can operate as the PCM interface Master generating an output clock of 128, 256 or 512kHz. When configured as PCM interface slave it can operate with an input clock up to 2048kHz. i50e is compatible with a variety of clock formats, including Long Frame Sync, Short Frame Sync and GCI timing environments.

It supports 13 or 16-bit linear, 8-bit  $\mu$ -law or A-law companded sample formats at 8k samples/s and can receive and transmit on any selection of three of the first four slots following PCM\_SYNC. The PCM configuration options are enabled by setting the PS Key PS\_KEY\_PCM\_CONFIG32 (0x1b3). i50e interfaces directly to PCM audio devices are follows:

Qualcomm MSM 3000 series and MSM 5000 series CDMA baseband devices

OKI MSM7705 four channels A-law and  $\mu$ -law CODEC

Motorola MC145481 8-bit A-law and  $\mu$ -law CODEC

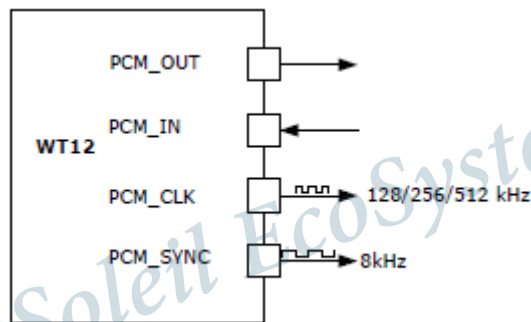
Motorola MC145483 13-bit linear CODEC

STW 5093 and 5094 14-bit linear CODECs

BlueCore4-External is also compatible with the Motorola SSI™ interface

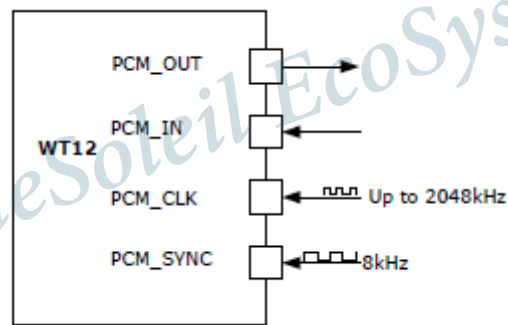
### 6.4.1 PCM Interface Master/Slave

When configured as the Master of the PCM interface, i50e generates PCM\_CLK and PCM\_SYNC. See Figure 20 below.



**Figure 20** i50e as PCM Master

When configured as the Slave of the PCM interface, i50e accepts PCM\_CLK and PCM\_SYNC. PCM\_CLK rates up to 2048kHz are accepted. See Figure 21 below.



**Figure 21** i50e as PCM slave

### 6.4.2 Long Frame Sync

Long Frame Sync is the name given to a clocking format that controls the transfer of PCM data words or samples. In Long Frame Sync, the rising edge of PCM\_SYNC indicates the start of the PCM word. When i50e is configured as PCM Master, generating PCM\_SYNC and PCM\_CLK, then PCM\_SYNC is 8-bits long. When BlueCore5 MM is configured as PCM Slave, PCM\_SYNC may be from two consecutive falling edges of PCM\_CLK to half the PCM\_SYNC rate, i.e. 62.5 $\mu$ s long.

i50e samples PCM\_IN on the falling edge of PCM\_CLK and transmits PCM\_OUT on the rising edge. PCM\_OUT may be configured to be high impedance on the falling edge of PCM\_CLK in the LSB position or on the rising edge. See Figure 22 below.

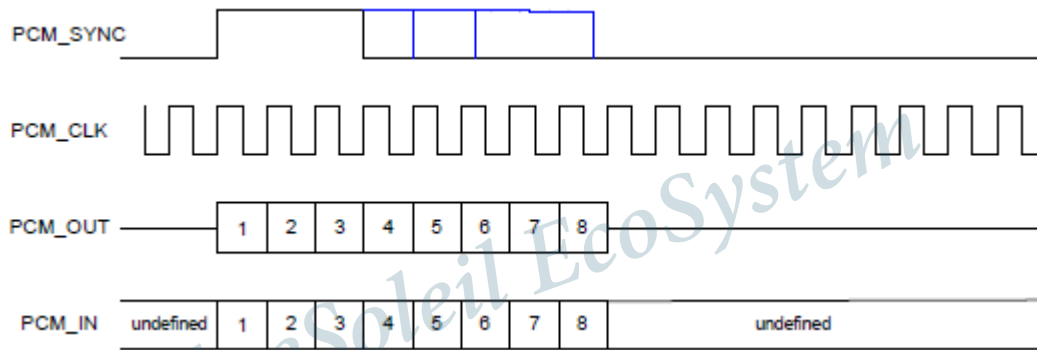


Figure 22 Long Frame Sync (shown with 8-bit Companded Sample)

### 6.4.3 Short Frame Sync

In Short Frame Sync the falling edge of PCM\_SYNC indicates the start of the PCM word. PCM\_SYNC is always one clock cycle long. See Figure 23 below.

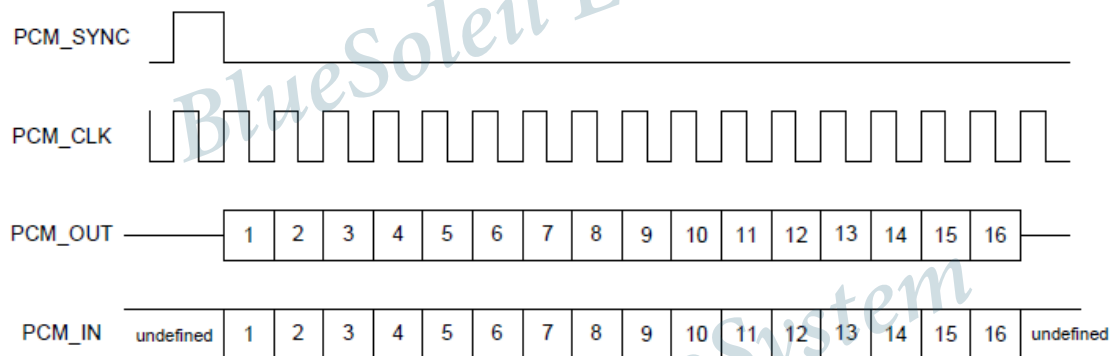


Figure 23 Short Frame Sync (shown with 16-bit Companded Sample)

As with Long Frame Sync, i50e samples PCM\_IN on the falling edge of PCM\_CLK and transmits PCM\_OUT on the rising edge. PCM\_OUT may be configured to be high impedance on the falling edge of PCM\_CLK in the LSB position or on the rising edge.

### 6.4.4 Multi Slot Operation

More than one SCO connection over the PCM interface is supported using multiple slots. Up to three SCO connections can be carried over any of the first four slots. See Figure 24 below.



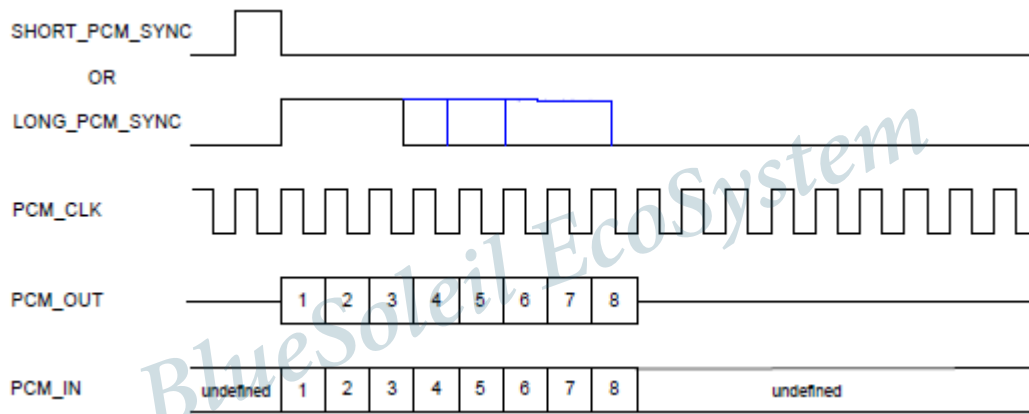


Figure 24 Multi Slot Operation with Two Slots and 8-bit Companded Samples

### 6.4.5 GCI Interface

i50e is compatible with the General Circuit Interface, a standard synchronous 2B+D ISDN timing interface. The two 64Kbps B channels can be accessed when this mode is configured. See Figure 25 below.

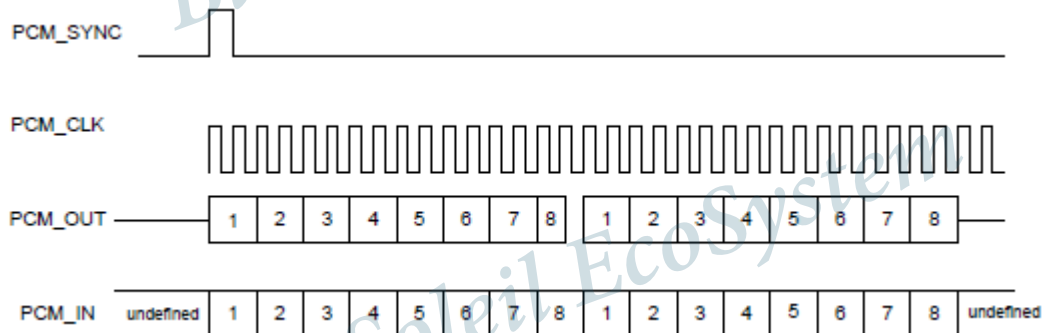


Figure 25 GCI Interface

The start of frame is indicated by the rising edge of PCM\_SYNC and runs at 8kHz. With i50e in Slave mode, the frequency of PCM\_CLK can be up to 4.096MHz.

### 6.4.6 Slots and Sample Formats

i50e can receive and transmit on any selection of the first four slots following each sync pulse. Slot durations can be either 8 or 16 clock cycles. Duration's of 8 clock cycles may only be used with 8-bit sample formats. Durations of 16 clocks may be used with 8, 13 or 16-bit sample formats.

i50e supports 13-bit linear, 16-bit linear and 8-bit  $\mu$ -law or A-law sample formats. The sample rate is 8ksamples/s. The bit order may be little or big Endian. When 16-bit slots are used,

the 3 or 8 unused bits in each slot may be filled with sign extension, padded with zeros or a programmable 3-bit audio attenuation compatible with some Motorola CODECs. See Figure 26 below.

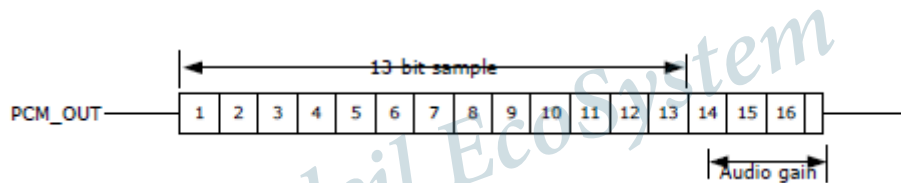


Figure 26 16-bit Slot with 13-bit Linear Sample and Audio Gain Selected

## 6.4.7 Additional Features

i50e has a mute facility that forces PCM\_OUT to be 0. In Master mode, PCM\_SYNC may also be forced to 0 while keeping PCM\_CLK running which some CODECS use to control power down.

## 6.4.8 PCM Configuration

The PCM configuration is set using two PS Keys, PSKEY\_PCM\_CONFIG32 and PSKEY\_PCM\_LOW\_JITTER\_CONFIG. They are summarized in Table 22 and Table 23 below. The default for PSKEY\_PCM\_CONFIG32 key is 0x00800000 i.e. first slot following sync is active, 13-bit linear voice format, long frame sync and interface master generating 256kHz PCM\_CLK from 4MHz internal clock with no tri-stating of PCM\_OUT.

Table 22 PSKEY\_PCM\_CONFIG32

Name	Bit position	Description
-	0	Set to 0
SLAVE MODE EN	1	0 selects Master mode with internal generation of PCM_CLK and PCM_SYNC. 1 selects Slave mode requiring externally generated PCM_CLK and PCM_SYNC. This should be set to 1 if 48M_PCM_CLK_GEN_EN (bit 11) is set.
SHORT SYNC EN	2	0 selects long frame sync (rising edge indicates start of frame), 1 selects short frame sync (falling edge indicates start of frame).
-	3	Set to 0
SIGN EXTENDED EN	4	0 selects padding of 8 or 13-bit voice sample into a 16-bit slot by inserting extra LSBs, 1 selects sign extension. When padding is selected with 3-bit voice sample, the 3 padding bits are the audio gain setting; with 8-bit samples the 8 padding bits are zeroes.
LSB FIRST EN	5	0 transmits and receives voice samples MSB first, 1 uses LSB first.

TX TRISTATE EN	6	0 drives PCM_OUT continuously, 1 tri-states PCM_OUT immediately after the falling edge of PCM_CLK in the last bit of an active slot, assuming the next slot is not active.
TX TRISTATE RISING EDGE EN	7	0 tristates PCM_OUT immediately after the falling edge of PCM_CLK in the last bit of an active slot, assuming the next slot is also not active. 1 tristates PCM_OUT after the rising edge of PCM_CLK.
SYNC SUPPRESS EN	8	0 enables PCM_SYNC output when master, 1 suppresses PCM_SYNC whilst keeping PCM_CLK running. Some CODECS utilize this to enter a low power state.
GCI MODE EN	9	1 enables GCI mode.
MUTE EN	10	1 forces PCM_OUT to 0.
48M PCM CLK GEN EN	11	0 sets PCM_CLK and PCM_SYNC generation via DDS from internal 4 MHz clock, as for BlueCore4-External. 1 sets PCM_CLK and PCM_SYNC generation via DDS from internal 48 MHz clock.
LONG LENGTH SYNC EN	12	0 sets PCM_SYNC length to 8 PCM_CLK cycles and 1 sets length to 16 PCM_CLK cycles. Only applies for long frame sync and with 48M_PCM_CLK_GEN_EN set to 1.
-	[20:16]	Set to 0b00000.
MASTER CLK RATE	[22:21]	Selects 128 (0b01), 256 (0b00), 512 (0b10) kHz PCM_CLK frequency when master and 48M_PCM_CLK_GEN_EN (bit 11) is low.
ACTIVE SLOT	[26:23]	Default is 0001. Ignored by firmware
SAMPLE_FORMAT	[28:27]	Selects between 13 (0b00), 16 (0b01), 8 (0b10) bit sample with 16 cycle slot duration 8 (0b11) bit sample 8 cycle slot duration.

**Table 23** PSKEY\_PCM\_LOW\_JITTER\_CONFIG

Name	Bit position	Description
CNT LIMIT	[12:0]	Sets PCM_CLK counter limit
CNT RATE	[23:16]	Sets PCM_CLK count rate.
SYNC LIMIT	[31:24]	Sets PCM_SYNC division relative to PCM_CLK.

## 7 Software Stacks

i50e is supplied with *Bluetooth* v2.1 + EDR compliant stack firmware, which runs on the internal RISC microcontroller. The i50e software architecture allows *Bluetooth* processing and the

application program to be shared in different ways between the internal RISC microcontroller and an external host processor (if any).

### 7.1 BlueSoleil Stack

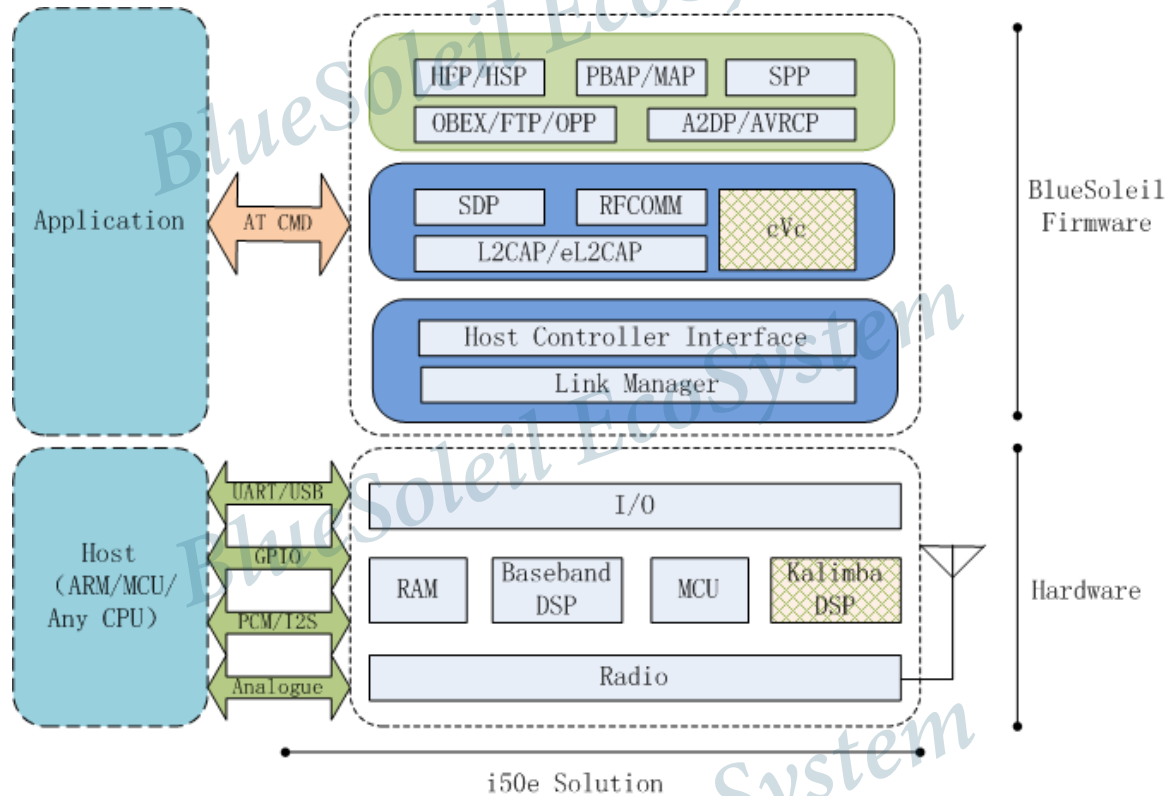


Figure 27 BlueSoleil Stack

As illustrated in Figure 27 above, no host processor is required to run the *Bluetooth* protocol stack. All BlueSoleil stack layers, including application software, run on the internal RISC processor.

The host processor interfaces to BlueSoleil stack of i50e via one or more of the physical interfaces, which are also shown in the figure 27. The most common interfacing is done via UART interface using the ASCII commands supported by the BlueSoleil stack. With these ASCII commands the user can access *Bluetooth* functionality without paying any attention to the complexity, which lies in the *Bluetooth* protocol stack.

The user may write applications code to run on the host processor to control BlueSoleil stack with ASCII commands and to develop *Bluetooth* powered applications. Please refer to BlueSoleil\_i50e\_Programming\_Manual.pdf.

## 8 Enhanced Data Rate

EDR has been introduced to provide 2x and optionally 3x data rates with minimal disruption to higher layers of the *Bluetooth* stack. CSR supports both of the new data rates, with i50e.

### 8.1 Enhanced Data Rate Baseband

At the baseband level EDR uses the same 1.6kHz slot rate as basic data rate and therefore the packets can be 1, 3, or 5 slots long as per the basic data rate. Where EDR differs from the basic data rate is that in the same 1MHz symbol rate 2 or 3bits are used per symbol, compared to 1bit per symbol used by the basic data rate. To achieve the increase in number of bits symbol, two new modulation schemes have been introduced as summarized in Table 24 presented below and the modulation schemes are explained in the further sections.

**Table 24** Data Rate Schemes

Scheme	Bits per symbol	Modulation
Basic data rate	1	GFSK
Enhanced data rate	2	P/4 DQPSK
Enhanced data rate	3	8DPSK (optional)

Although the EDR uses new packets Link establishment and management are unchanged and still use Basic Rate packets.

### 8.2 Enhanced Data Rate $\pi/4$ DQPSK

$\pi/4$  DQPSK includes the following features.

- 4-state Differential Phase Shift Keying.
- 2 bits determine phase shift between consecutive symbols. See Table 25 below.
- S/4 rotation avoids phase shift of S, which would cause large amplitude variation.
- Raised Cosine pulse shaping filter to further reduce side band emissions.

**Table 25** 2 bits Determine Phase Shift Between Consecutive Symbols

Bit pattern	Phase shift
00	$\pi/4$
01	$3 \pi/4$
10	$-3 \pi/4$
11	$-\pi/4$

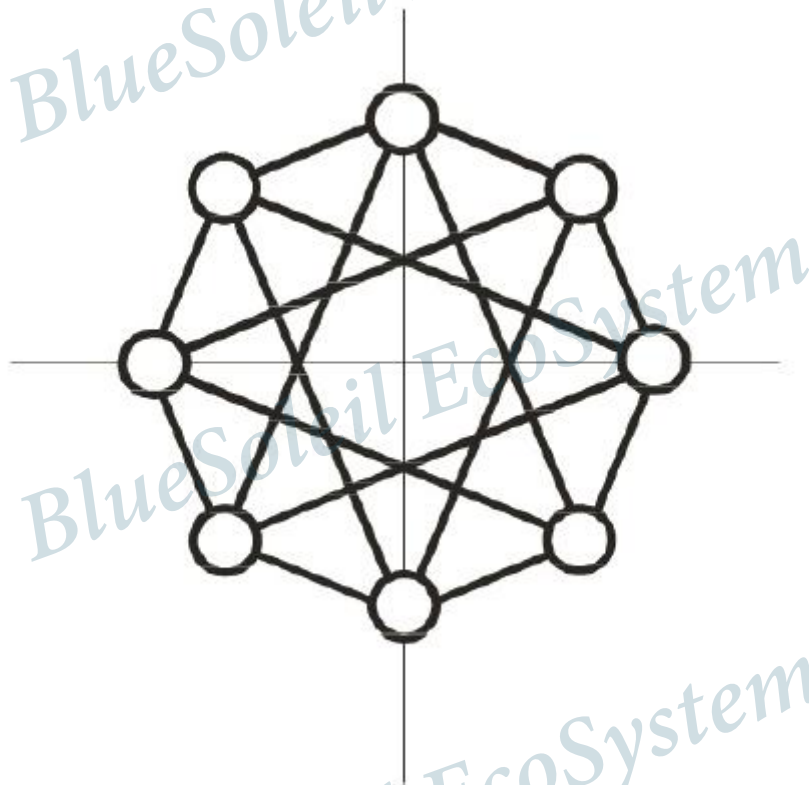
### 8.3 8DQPSK

8DQPSK includes the following features.

- 8-state Differential Phase-Shift Keying. See Figure 28 below.
- Three bits determine phase shift between consecutive symbols. See Table 26 below.

**Table 26** 3 bits Determine Phase Shift between Consecutive Symbols

Bit pattern	Phase shift
000	0
001	$\pi/4$
011	$\pi/2$
010	$3\pi/4$
110	$\pi$
111	$-3\pi/4$
101	$-\pi/2$
100	$-\pi/4$



**Figure 28** 8DQPSK

## 9 Re-flow Temperature-time Profile

The re-flow profiles are illustrated in Figure 29 and Figure 30 below.

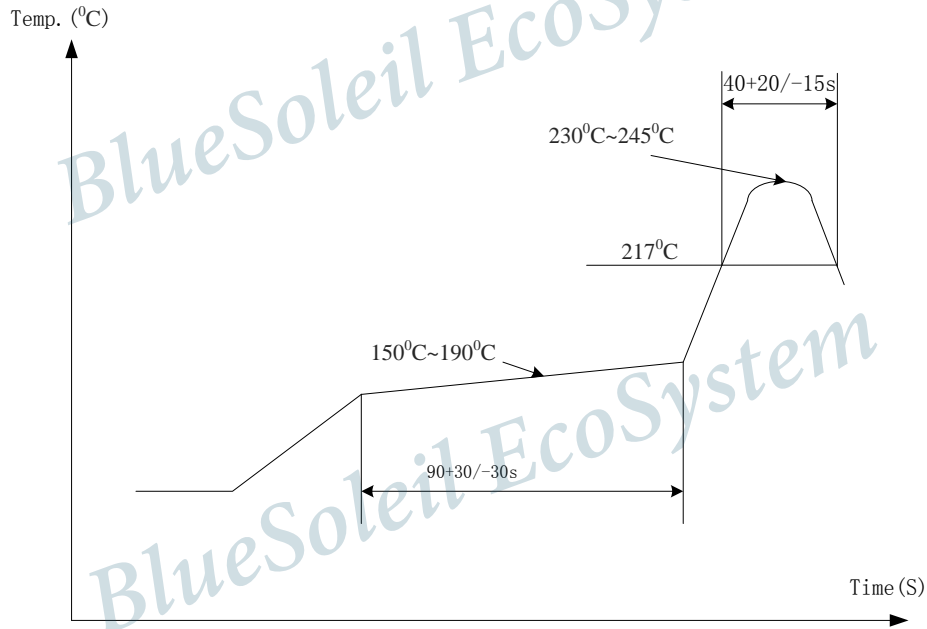


Figure 29 Typical Lead-Free Re-flow Solder Profile

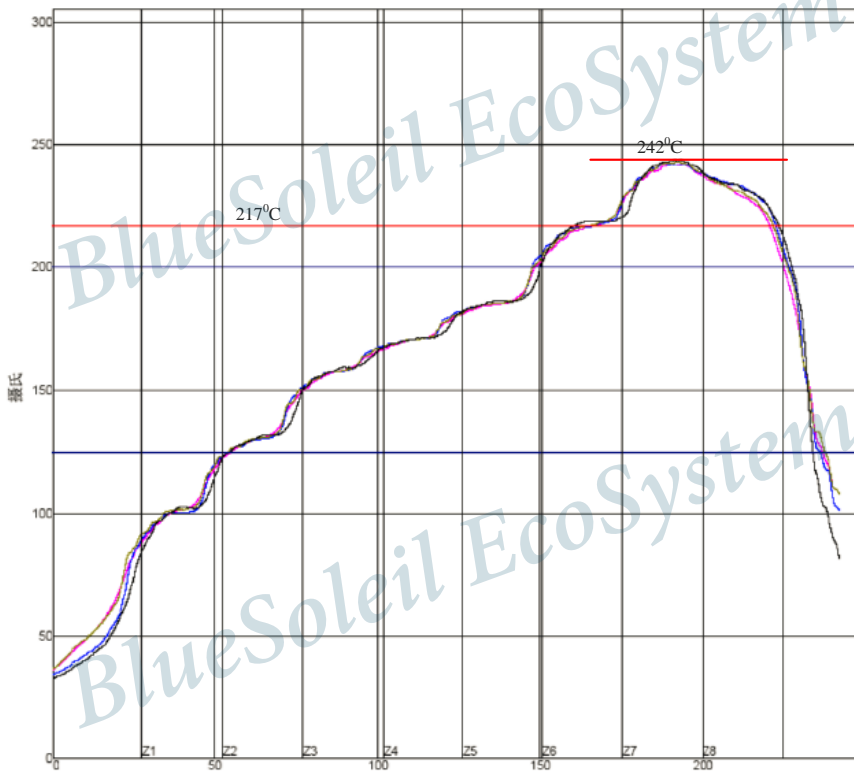


Figure 30 Typical Lead-free Re-flow

The soldering profile depends on various parameters according to the use of different solder and material. The data here is given only for guidance on solder re-flow. i50e will withstand up to two re-flows to a maximum temperature of 245°C.

## 10 Reliability and Environmental Specification

### 10.1 Temperature test

Put the module in demo board which uses exit power supply, power on the module and connect to mobile. Then put the demo in the -40°C space for 1 hour and then move to +85°C space within 1 minute, after 1 hour move back to -40°C space within 1 minute. This is 1 cycle. The cycles are 32 times and the units have to pass the testing.

### 10.2 Vibration Test

The module is being tested without package. The displacement requests 1.5mm and sample is vibrated in three directions(X,Y,Z). Vibration frequency set as 0.5G, a sweep rate of 0.1 octave/min from 5Hz to 100Hz last for 90 minutes each direction. Vibration frequency set as 1.5G, a sweep rate of 0.25 octave/min from 100Hz to 500Hz last for 20 minutes each direction.

### 10.3 Desquamation Test

Use clamp to fix the module, measure the pull of the component in the module, make sure the module's soldering is good.

### 10.4 Drop Test

Free fall the module (condition built in a wrapper which can defend ESD) from 150cm height to cement ground, each side twice, total twelve times. The appearance will not be damaged and all functions OK.

### 10.5 Packaging Information

After unpacking, the module should be stored in environment as follows.

- Temperature: 25°C ± 2°C



- Humidity: <60%
- No acidity, sulfur or chlorine environment

The module must be used in four days after unpacking.

## 11 Layout and Soldering Considerations

### 11.1 Soldering Recommendations

i50e is compatible with industrial standard reflow profile for Pb-free solders. The reflow profile used is dependent on the thermal mass of the entire populated PCB, heat transfer efficiency of the oven and particular type of solder paste used.

IVT Corporation will give following recommendations for soldering the module to ensure reliable solder joint and operation of the module after soldering. Since the profile used is process and layout dependent, the optimum profile should be studied case by case. Thus following recommendation should be taken as a starting point guide.

- Avoid using more than one flow.
- Reliability of the solder joint and self-alignment of the component are dependent on the solder volume. Minimum of 150um stencil thickness is recommended.
- Aperture size of the stencil should be 1:1 with the pad size.

A low residue, “no clean” solder paste should be used due to low mounted height of the component

### 11.2 Layout Guidelines

#### Audio Layout

Route audio lines as differential pairs. The positive and negative signals should run parallel and close to each other until they are converted to single-ended signals. Use dedicated audio ground plane for entire audio section.

#### Layout for i50e RF pin

The RF pin includes the signal pin surrounded by GND contact. It is important to make sure there is a good GND contact for the RF pin. 50 ohm trace is used to trace the RF signal to a SMA connector or similar. GND stitching vias must be used to avoid radiated emissions from the corners of the PCB.

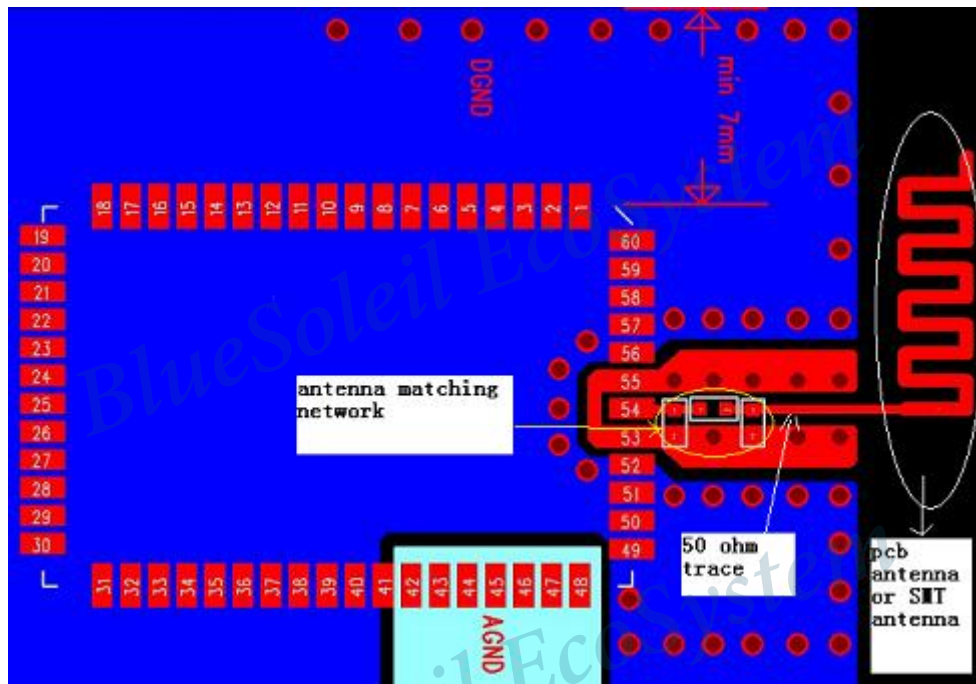


Figure 31 Recommended Layout

## 12 Physical Dimensions

BlueSoleil i50e's dimension is 21mm(L)x13.5mm(W)x2.5mm(H).

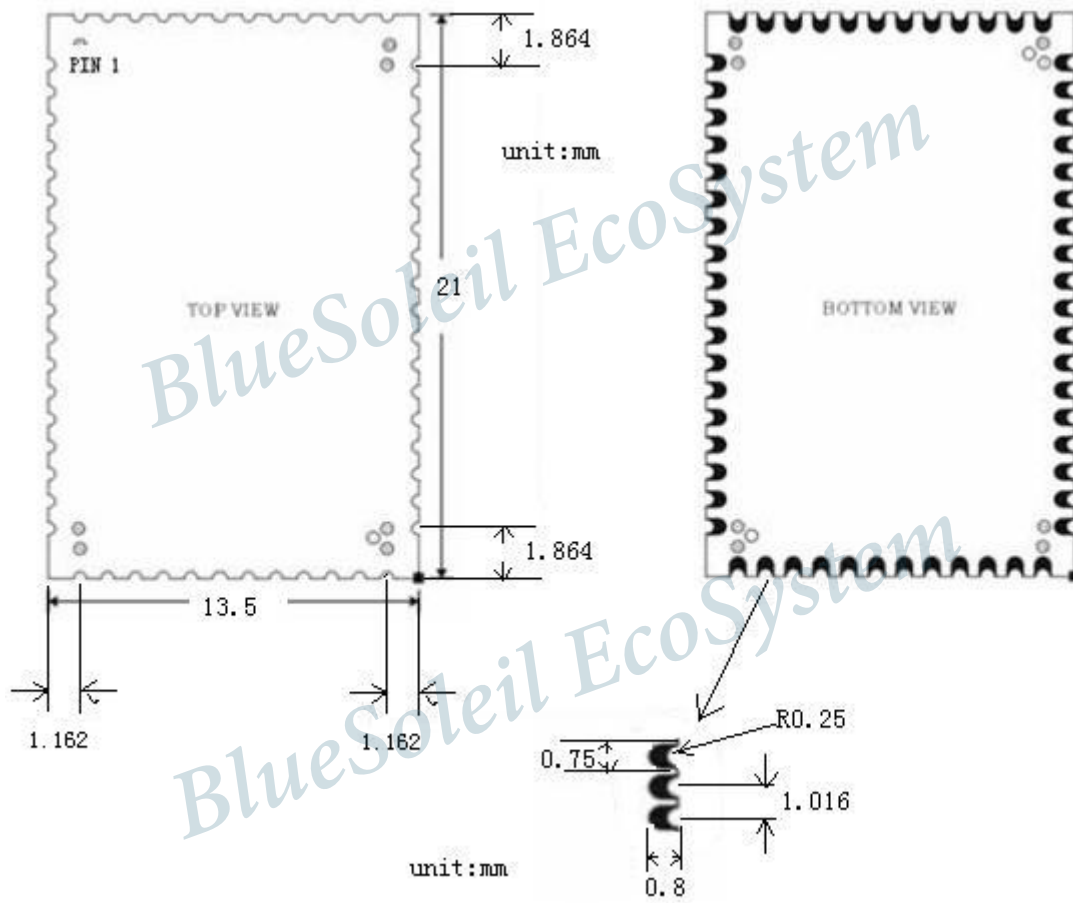
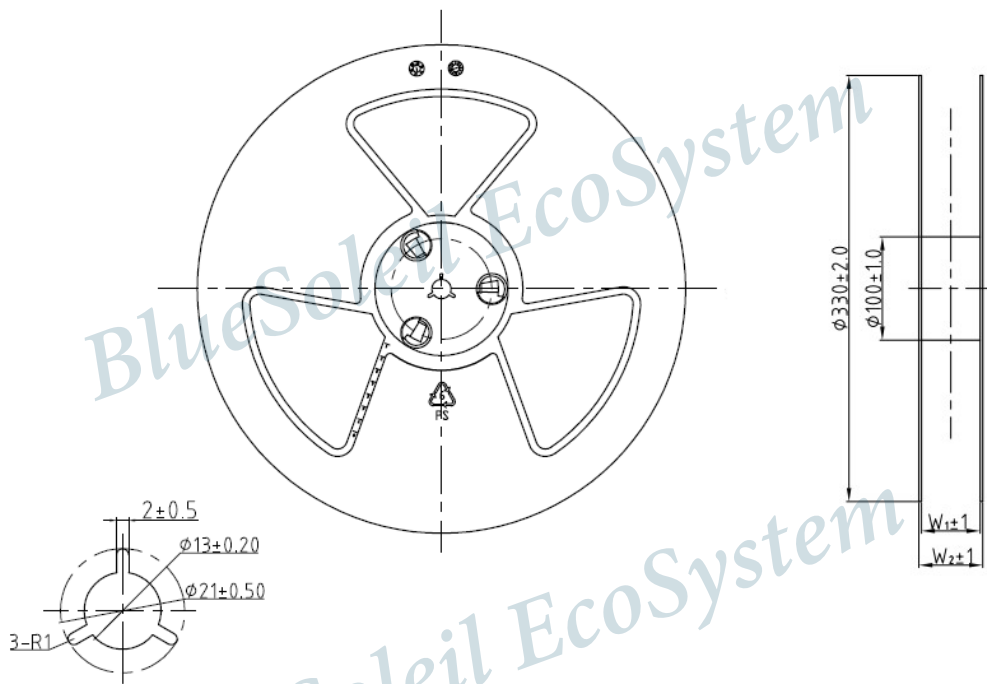


Figure 32 i50e Footprint

## 13 Package

BlueSoleil i50e package information is summarized in Figure 33 and Figure 34 below.



MATERIAL : PS COLOR : BLUE

Width	12mm	16mm	24mm	32mm	44mm	56mm	72mm	88mm
W1	13.5	17.5	25.5	33.5	45.5	57.5	74.0	90
W2	17.5	21.5	29.5	37.5	49.5	61.5	78.0	94

**Figure 33** Reel Information

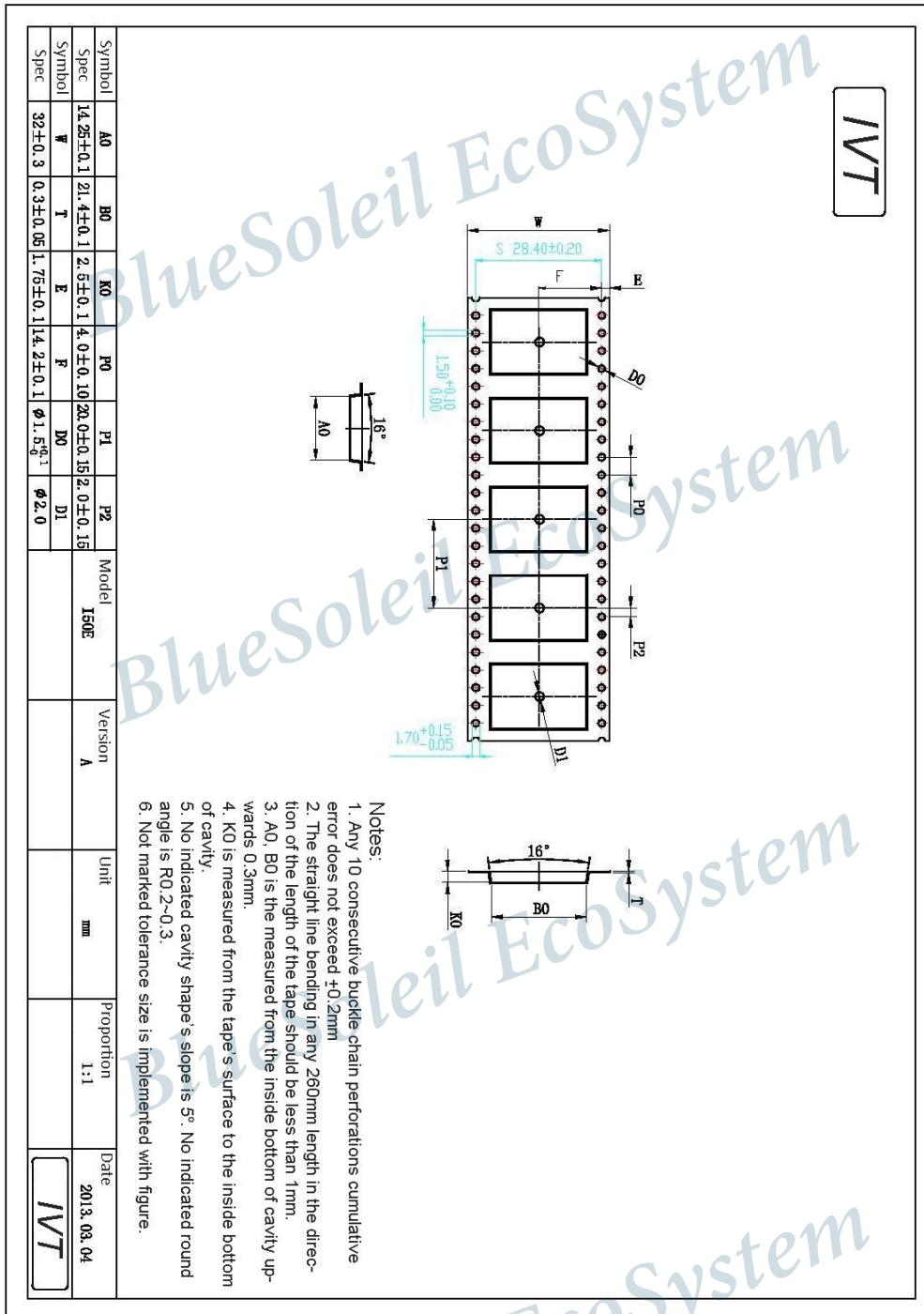


Figure 34 Tape Information

## 14 Certifications

i50e is compliant to the following specifications.

### 14.1 Bluetooth

BlueSoleil i50e module is qualified as a *Bluetooth* controller subsystem and it fulfills all the mandatory requirements of *Bluetooth* 2.1 + EDR core specification. If not modified in any way, it is a complete *Bluetooth* entity, containing software and hardware functionality as well as the whole RF-part excluding the antenna. This practically translates to that if the module is used without modification of any kind, it does not need any *Bluetooth* approval work for evaluation on what needs to be tested.

**I50e Qualified Design ID (QDID): B017206**

**I50e qualified listing details:**

[https://www.bluetooth.org/tpg/QLI\\_viewQDL.cfm?qid=17206](https://www.bluetooth.org/tpg/QLI_viewQDL.cfm?qid=17206)

**I50e PICS details:**

<https://www.bluetooth.org/tpg/showCorePICS.cfm?3A000A5A005C5043535E5214403B0C0D0E2405022413010E57503F202A5A705A564050>

**I50e End Product Detail:**

[https://www.bluetooth.org/tpg/EPL\\_Detail.cfm?ProductID=15034](https://www.bluetooth.org/tpg/EPL_Detail.cfm?ProductID=15034)

### 14.2 CE 0700

Hereby, IVT Corporation declares that this device is in compliance with the essential requirements and other relevant provisions of Directive 1999/5/EC.

**CE 0700**

### 14.3 FCC

Host manufacturer: IVT Corporation

Limited Host Brand name: BlueSoleil

Host model number: i50e

FCC ID: S78-IVTI50E

## 14.4 IC

Host manufacturer: IVT Corporation

Host Brand name: BlueSoleil

Host model number: i50e

IC: 11004A-IVTI50E

The limited modular approval is based on conditions established in the application such as car audio system, into which the module can be installed. The modular is integrated into the host mainboard according to the schematic application. See Figure 35 below.

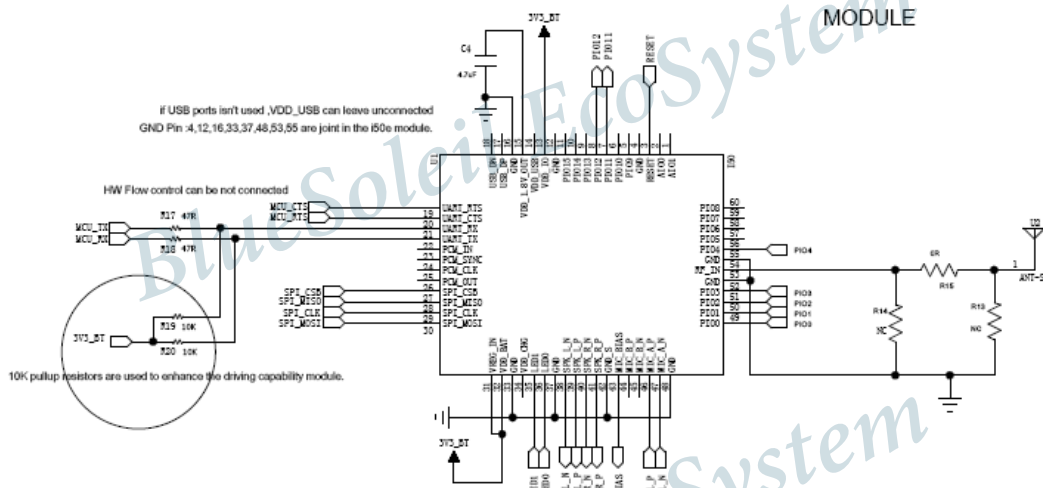


Figure 35 Schematic Application

The output power of this device is less than 20mW. The SAR test is not required. The host manufacture can only connect the external designated PCB antenna to pin 54. When using the host, ensure that the antenna of the host is at least 20cm away from all persons.

This device complies with Industry Canada licence-exempt RSS standard(s). Operation is subject to the following two conditions: (1) this device may not cause interference, and (2) this device must accept any interference, including interference that may cause undesired operation of the device.

This device complies with Part 15 of the FCC Rules and with RSS-210 of Industry Canada. Operation is subject to the following two conditions: (1) This device may not cause harmful interference, and (2) this device must accept any interference received, including interference that may cause undesired operation.

Le présent appareil est conforme aux CNR d'Industrie Canada applicables aux appareils radio

exempts de licence.

L'exploitation est autorisée aux deux conditions suivantes : (1) l'appareil ne doit pas produire de brouillage, et (2) l'utilisateur de l'appareil doit accepter tout brouillage radioélectrique subi, même si le brouillage est susceptible d'en compromettre le fonctionnement.

This Class B digital apparatus complies with Canadian ICES-003.

Cet appareil numérique de la classe B est conforme à la norme NMB-003 du Canada.

NOTE: The manufacturer is not responsible for any radio or TV interference caused by unauthorized modifications or changes to this equipment. Such modifications or changes could void the user's authority to operate the equipment.

NOTE: This equipment has been tested and found to comply with the limits for a Class B digital device, pursuant to part 15 of the FCC Rules. These limits are designed to provide reasonable protection against harmful interference in a residential installation. This equipment generates uses and can radiate radio frequency energy and, if not installed and used in accordance with the instructions, may cause harmful interference to radio communications. However, there is no guarantee that interference will not occur in a particular installation. If this equipment does cause harmful interference to radio or television reception, which can be determined by turning the equipment off and on, the user is encouraged to try to correct the interference by one or more of the following measures:

- Reorient or relocate the receiving antenna.
- Increase the separation between the equipment and receiver.
- Connect the equipment into an outlet on a circuit different from that to which the receiver is connected.
- Consult the dealer or an experienced radio/TV technician for help.

## 15 RoHS Statement with a List of Banned Materials

i50e meets the requirements of Directive 2002/95/EC of the European Parliament and of the Council on the Restriction of Hazardous Substance (RoHS).

The following banned substances are not present in i50e, which is compliant with RoHS:

- Cadmium
- Lead



- Mercury
- Hexavalent chromium
- PBB (Polybrominated Bi-Phenyl)
- PBDE (Polybrominated Diphenyl Ether)

## 16 Bluetooth Technology Best Developed Corporation

IVT Corporation is one of *Bluetooth* technology BEST developed together which is authenticated by The Bluetooth SIG. See Figure 36 below.



Figure 36 IVT is One of *Bluetooth* Technology BEST Developed Together

## 17 Contact Information

**Contact:** Mr. Zhu Yong

**Mobile:** +86 18910255873

**Tel:** +86 10 82898219

**Fax:** +86 10 62963059

**Email:** [embedded@ivtcorporation.com](mailto:embedded@ivtcorporation.com)

**Address:** IVT Corporation, 5/F, Fa Zhan Building No.12, Shang Di Xin Xi Road, Beijing, 100085 P.R. China

**Company Site:** [www.ivtcorporation.com](http://www.ivtcorporation.com)

**Support:** [support@ivtcorporation.com](mailto:support@ivtcorporation.com)

## 18 Copyright

Copyright ©1999-2013 IVT Corporation

All rights reserved.

IVT Corporation assumes no responsibility for any errors which may appear in the specification. Furthermore, IVT Corporation reserves the right to alter the hardware, software, and/or specifications detailed here at any time without notice and does not make any commitment to update the information contained here.

BlueSoleil is a registered trademark of IVT Corporation for *Bluetooth* production.

The *Bluetooth* trademark is owned by the Bluetooth SIG Inc., USA and is licensed to IVT Corporation.

All other trademarks listed herein are owned by their respective owners.

BlueSoleil EcoSystem

BlueSoleil EcoSystem