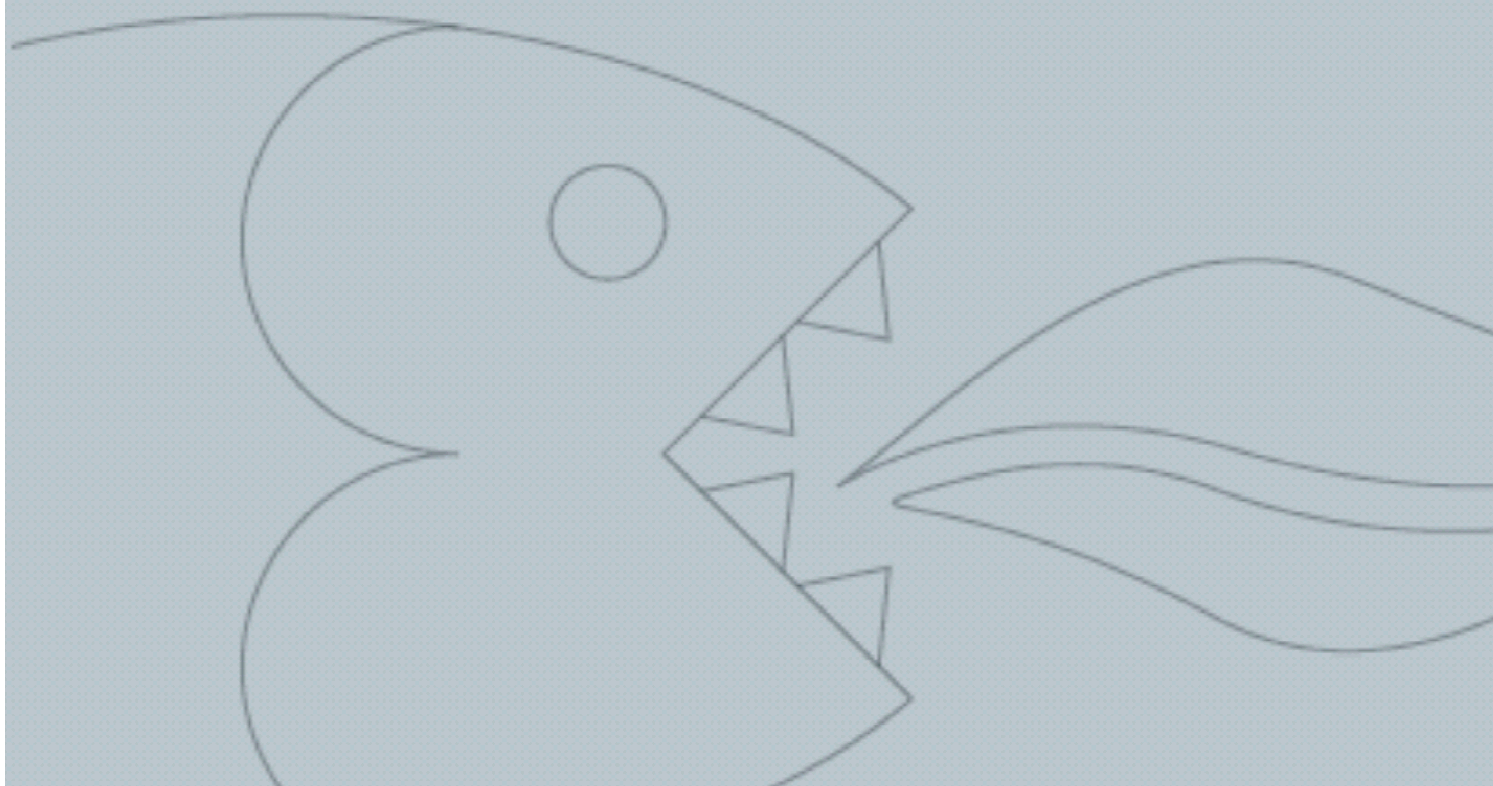
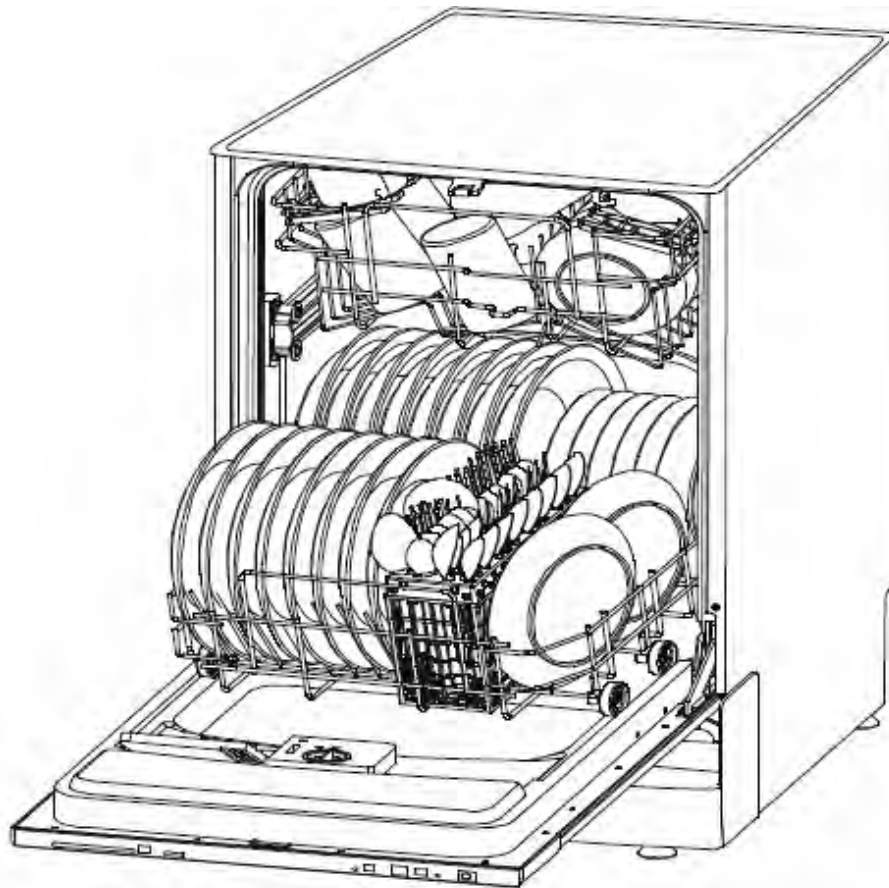


**BDW13 60 cm Fully integrated
full height electronic dishwasher**

Instruction manual



**BDW13 &
BDW14 DISHWASHER**
60CM FULL HEIGHT DISHWASHER



IMPORTANT!

PLEASE READ THIS MANUAL AND KEEP IT FOR FUTURE REFERENCE!
**THIS MANUAL CONTAINS SECTIONS OF SAFETY INSTRUCTIONS, OPERATING
INSTRUCTIONS & TROUBLESHOOTING TIPS, ETC.**



BEFORE CALLING FOR SERVICE

REVIEWING THE SECTION ON TROUBLESHOOTING TIPS WILL HELP YOU SOLVE SOME COMMON PROBLEMS WITHOUT THE NEED TO ASK FOR HELP FROM PROFESSIONAL TECHNICIANS.



PLEASE NOTE:
THE MANUFACTURER RESERVES THE RIGHT TO MAKE MODIFICATIONS TO PRODUCTS WITHOUT GIVING PRIOR NOTICE.

CONTENTS

• **SAFETY FIRST!**

SAFETY INFORMATION3
**Please read this before using your dishwasher!*

• **KNOWING YOUR DISHWASHER**

CONTROL PANEL4
DISHWASHER FEATURES4

• **USING YOUR DISHWASHER**

WATER SOFTENER5-6
DETERGENT6
RINSE AID7
LOADING YOUR DISHWASHER.....8-11
STARTING A WASH CYCLE12-14
UNLOADING AT THE END OF A CYCLE.....15
FILTERING SYSTEM16
CLEANING AND MAINTAINING YOUR DISHWASHER16-18

• **BEFORE YOU CALL FOR SERVICE...**

TROUBLESHOOTING19-23
ERROR CODES.....24

• **MISCELLANEOUS**

CHARACTERISTICS25
HOW TO INSTALL26-33
FINAL CHECKLIST BEFORE STARTING.....34
MINIMUM AND MAXIMUM PLATE SIZES...35
ENVIRONMENTAL NOTE.....36
CONTACT DETAILS.....37

IMPORTANT SAFETY INFORMATION**WARNING!*****READ BEFORE USING!*****ELECTRICAL SAFETY**

 This appliance complies with Directives 89/336/EEC, 73/23/EEC and following changes.

- **NOTE** - This appliance must be grounded. In the event of a malfunction or breakdown, grounding will reduce the risk of electric shock by providing a path of least resistance of electrical current. You will be able to tell if it is because a non-grounded appliance will give off an electrical discharge.
- **Manufacturer declines all responsibility for any damage due to non-grounding of appliance.**
- DURING THE GUARANTEE PERIOD ONLY BAUMATIC SERVICE ENGINEERS OR AN AUTHORISED AGENT OF BAUMATIC SHOULD CARRY OUT REPAIRS ON THIS UNIT.
- DO NOT USE IF THE SUPPLY CORD IS DAMAGED.
- FOR INSTALLATION PROCEDURE PLEASE CONSULT PAGES 26 – 33.

CHILD SAFETY

- DO NOT ABUSE OR FORCE THE DISHWASHER. DO NOT SIT ON OR STAND ON ITS DOOR OR DISH RACKS – TIPPING HAZARD.
- KEEP CHILDREN AWAY FROM DETERGENT, RINSE AID AND THE OPEN DOOR OF THE DISHWASHER AS THERE COULD BE DETERGENT LEFT INSIDE.
- SUPERVISE YOUNG CHILDREN TO ENSURE THEY DO NOT PLAY WITH THE APPLIANCE.
- SUPERVISE INFIRM PERSONS IF THEY MUST USE THE APPLIANCE.
- REMOVE THE DOOR TO WASHING COMPARTMENT OF YOUR OLD APPLIANCE BEFORE DISCARDING IT.

DURING USE

- DO NOT TOUCH THE HEATING ELEMENT DURING OR IMMEDIATELY AFTER USE.
- DO NOT USE YOUR DISHWASHER UNLESS ALL ENCLOSURE PANELS ARE PROPERLY IN PLACE. OPEN THE DOOR VERY CAREFULLY IF THE DISHWASHER IS OPERATING. THERE IS A RISK OF WATER SQUIRTING OUT.

BEFORE USING

SOME ITEMS ARE UNSUITABLE FOR WASHING IN YOUR DISHWASHER. PLEASE SEE PAGE 8 FOR A LIST OF THESE ITEMS.

DO NOT TAMPER WITH THE CONTROLS. WHEN LOADING ITEMS TO BE WASHED:

- 1) Keep sharp items like knives away from the door seal.
- 2) Load sharp knives with the handles up to prevent injuries.

ONLY USE AUTOMATIC DISHWASHER DETERGENT, NOT SOAP OR LAUNDRY DETERGENT. **NEVER USE SOLVENTS AS THIS COULD RESULT IN AN EXPLOSION!**

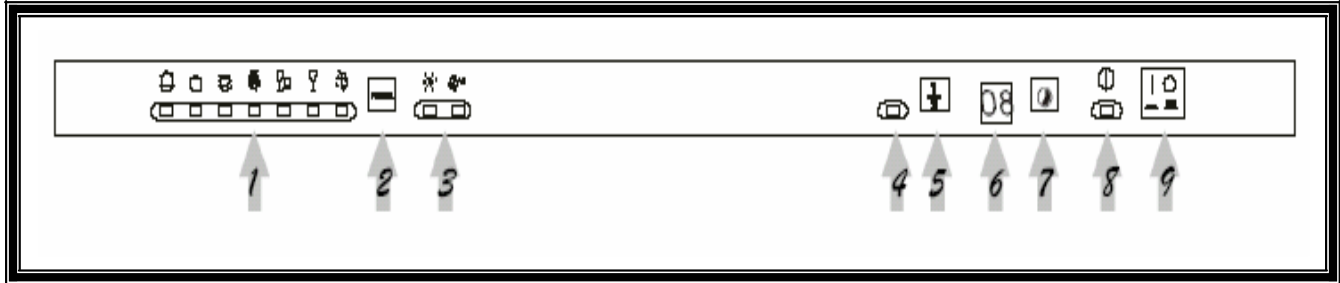
AFTER USE

- ALWAYS KEEP THE DOOR CLOSED TO AVOID DANGER OF TRIPPING.
- CHECK THAT THE DETERGENT DISPENSER IS EMPTY AFTER COMPLETION OF WASH CYCLE.
- IF LEAVING UNUSED FOR A LONG TIME, DISCONNECT THE WATER SUPPLY (SEE PP. 18, 30).

READ AND FOLLOW THIS SAFETY INFORMATION CAREFULLY BEFORE USING YOUR DISHWASHER FOR THE FIRST TIME!

CONTROL PANEL

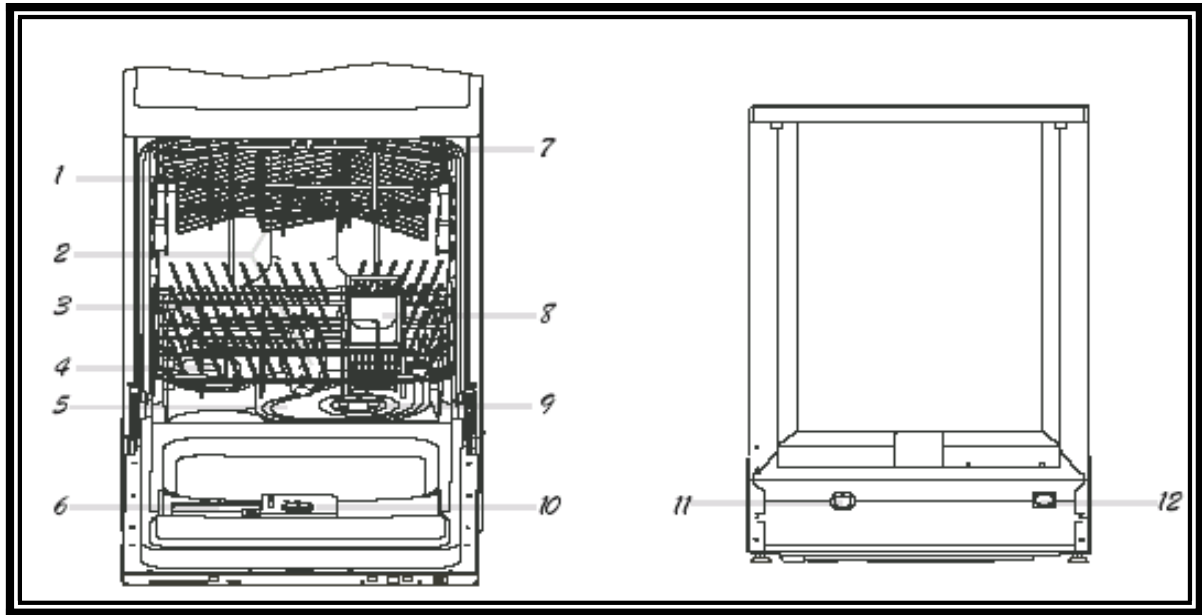
NOTE: YOUR DISHWASHER'S CONTROL PANEL IS ON THE TOP LIP OF THE DOOR. IF YOUR APPLIANCE IS BEING INSTALLED UNDER A WORKTOP, YOU WILL NEED TO OPEN THE DOOR TO SEE THE CONTROL PANEL.



- 1 **Program Indicator Light:** when you select a washing program, the corresponding light will display.
- 2 **Program Key:** Press to select a washing program. Multiple presses select different programs. See page 13 for how to program the washing cycle you want.
- 3 **Salt and Rinse Aid Warning Light:** Comes on when the softener or rinse aid dispenser needs refilling. **Note** that when you first use your dishwasher, the salt & rinse aid lights do not go out immediately.
- 4 **Half Washing Light:** Comes on when you select the 'Half wash' option.
- 5 **Half Washing Key:** Press to select 'Half wash' program. * (Optional half washing means that the lower spray arm does not run, so you should load the upper basket only).
- 6 **Delay Start Time:** Displays the delay start time, the water temperature & **ERROR CODES** (see p. 24).
- 7 **Delay Key:** Press this key to set the delay start time. You can delay starting your washing cycle up to 24 hours. One press on this delays the start of the washing cycle by one hour.
- 8 **Power On light:** Comes on when the 'ON / OFF' Button is pressed down.
- 9 **ON / OFF Button:** Turns the power supply on and off.

NOTE: YOUR DISHWASHER CAN RUN A TEST CYCLE. THIS HAPPENS WHEN YOU PRESS EITHER THE **PROGRAM KEY** OR THE **DELAY TIMER KEY** BEFORE PRESSING THE **ON / OFF BUTTON**. WHEN THIS HAPPENS, YOUR DISHWASHER WILL NOT RUN BUT WILL ENTER THIS TEST CYCLE INSTEAD. PLEASE SEE PAGE 19 (TROUBLESHOOTING SECTION) FOR MORE INFORMATION AND HOW TO CORRECT IT.

DISHWASHER FEATURES



- | | | |
|---|--|---|
| <ul style="list-style-type: none"> 1 ADJUSTABLE UPPER BASKET 2 SPRAY ARMS 3 LOWER BASKET 4 WATER SOFTENER | <ul style="list-style-type: none"> 5 MAIN FILTER 6 DETERGENT DISPENSER 7 CUP & GLASS SHELF (ADJUSTABLE) 8 CUTLERY BASKET | <ul style="list-style-type: none"> 9 COARSE FILTER 10 RINSE AID DISPENSER 11 DRAIN PIPE CONNECTOR 12 INLET PIPE CONNECTOR |
|---|--|---|

Note on chemicals used by the dishwasher

- Your dishwasher is equipped with an adjustable rinse aid and salt container. Using individual detergents, rinse aid and salt will give the best possible results as this will give the correct dosage of each chemical to suit your needs. Using Two-in-One or Three-in-One tablets may not give the best results when used in your appliance, and may not be suitable for the type of water supply in your home, as they contain pre-determined quantities of salt, rinse aid and detergent and cannot be adjusted to the individual requirements.

If you are going to use 3-in-1 (or 2-in-1) tablets, we suggest that you contact the manufacturer before use or if you experience poor results in the wash performance and ask for assistance from them.

WATER SOFTENING FEATURE

THE LIME IN HARD WATER MAKES DEPOSITS FORM ON DISHES AND UTENSILS. **YOUR DISHWASHER HAS A SPECIAL SOFTENING FEATURE THAT USES SALT SPECIFICALLY DESIGNED TO ELIMINATE LIME AND MINERALS FROM THE WATER.**

WARNING!

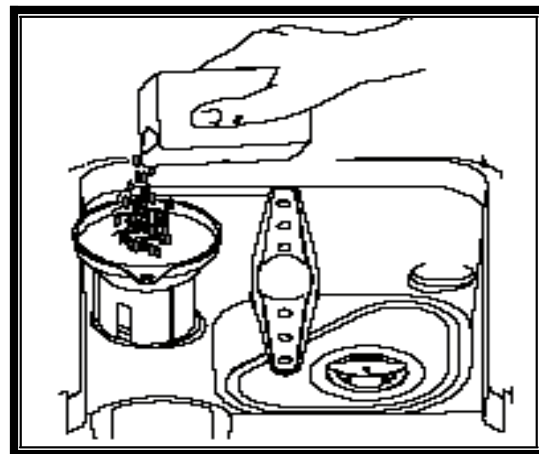
ONLY USE DISHWASHER SALT IN YOUR DISHWASHER.

NOTE:

IF YOU USE 3-IN-1 OR 2-IN-1 TABLETS, BE SURE NOT TO ADD SALT AND/OR RINSE AID TO THE APPLIANCE AS THESE TABLET TYPES ALREADY CONTAIN SALT AND/OR RINSE AID. **ADDING SALT AND RINSE AID TO YOUR DISHWASHER'S COMPARTMENTS IN A CYCLE INVOLVING A 3-IN-1 OR 2-IN-1 TABLET WILL RESULT IN OVERDOSING OF INDIVIDUAL CHEMICALS AND MAY CAUSE OVERFLOWING OF WATER AND SUDS.**

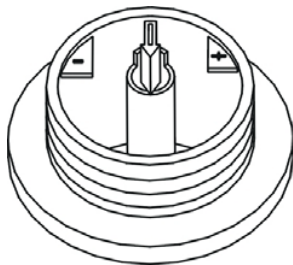
LOADING SALT INTO THE SALT CONTAINER

- REMOVE THE LOWER BASKET & THEN UNSCREW AND REMOVE THE CAP FROM THE SALT CONTAINER.
- IF YOU ARE FILLING THE CONTAINER FOR THE FIRST TIME, FILL WITH APPROX. 1 LITRE OF WATER.
- PLACE THE END OF THE SUPPLIED FUNNEL INTO THE HOLE & ADD 1.2 Kg OF SALT. **NOTE:** IT IS NORMAL FOR A SMALL AMOUNT OF WATER TO COME OUT OF THE CONTAINER.



SETTING THE WATER SOFTENER LEVEL

YOU CAN ADJUST THE AMOUNT OF SALT USED BY THE DISHWASHER TO SOFTEN WATER TO GET THE BEST WASHING RESULTS, BASED ON THE HARDNESS OF WATER IN YOUR AREA.



- 1 UNSCREW THE CAP FROM THE SALT CONTAINER.

- 2 THERE IS A RING ON THE NECK OF THE CONTAINER. ROTATE THE RING IN AN ANTICLOCKWISE DIRECTION FROM THE "-" SETTING TOWARDS THE "+" SETTING ACCORDING TO THE HARDNESS OF WATER IN USE. SEE TABLE BELOW.

NOTE

1. THE SALT CONTAINER MUST BE REFILLED WHEN THE SALT WARNING LIGHT COMES ON. ALTHOUGH THE SALT CONTAINER MAY BE FULL, THE INDICATOR LIGHT MAY NOT GO OUT UNTIL THE SALT HAS DISSOLVED.
 2. IF THERE ARE SALT SPILLS, A SOAK PROGRAM CAN BE RUN TO WASH AWAY SPILLAGE BEFORE USING THE MACHINE.
 3. CLEAR ANY SALT GRANULES AWAY FROM THE CONTAINER OPENING.

ADJUSTMENTS SHOULD BE MADE ACCORDING TO THE TABLE BELOW:

WATER HARDNESS			Selector Position	Salt consumption (grams/cycle)	Autonomy (cycles/1.2kgs)
Clarke Degrees	°dH	mmol/l			
0~14	0~18	0~1.8	/	0	/
14~36	18~44	1.8~4.4	-	20	60
36~71	44~89	4.4~8.9	MED	40	30
71	89	8.9	+	60	20

Contact your local water board for information on the hardness of your water supply.

DETERGENT "How much do I use?"

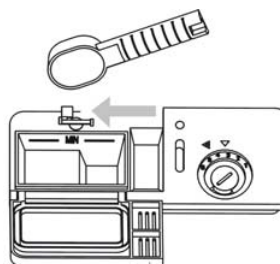
To OPEN the DETERGENT DISPENSER DOOR, use the CATCH on its LOWER SIDE.

***NOTE: SEE P.13 – WASH CYCLE TABLE for AMOUNT of DETERGENT to use.**

NOTE:

- ALWAYS CHECK THE WASH CYCLE TABLE FOR DOSAGE ADVICE. NEVER OVERFILL THE DISPENSER.
- DO NOT OVERDOSE TO PREVENT THE FORMATION OF DEPOSITS (THE WATER SOFTENING FEATURE ALREADY TAKES CARE OF THIS!).

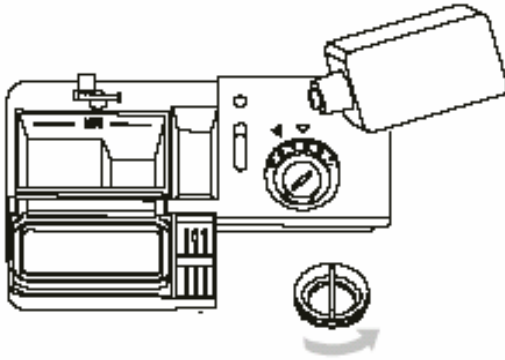
THE HARDER YOUR WATER, THE MORE DETERGENT YOU MAY NEED. ADJUST THE DOSE JUST BY SMALL AMOUNTS UNTIL YOU FIND THE CORRECT AMOUNT OF DETERGENT TO USE.



▲ WARNING!

Dishwasher detergent is corrosive! Take care to keep it out of reach of children.

RINSE AID



- TO OPEN THE DISPENSER, TURN THE CAP TO THE 'OPEN' (LEFT) ARROW AND LIFT IT OUT.
- POUR THE RINSE AID INTO THE DISPENSER. BE CAREFUL NOT TO OVERFILL.
- REPLACE CAP BY INSERTING IT ALIGNED WITH 'OPEN' ARROW & TURN IT TO THE CLOSED (RIGHT) ARROW.

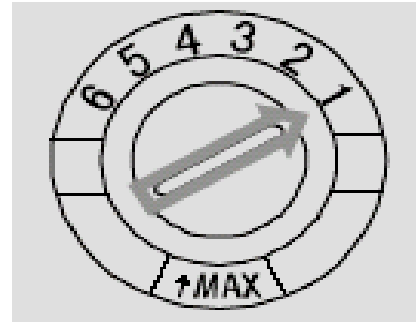
- THE RINSE AID IS RELEASED DURING THE FINAL RINSE TO PREVENT WATER FROM FORMING DROPLETS ON YOUR DISHES THAT CAN CAUSE SPOTS AND STREAKS. IT ALSO IMPROVES DRYING BY ALLOWING WATER TO FALL OFF THE DISHES.
- YOUR DISHWASHER IS DESIGNED TO USE LIQUID RINSE AIDS. THE RINSE AID DISPENSER CAN BE FOUND INSIDE THE DOOR NEXT TO THE DETERGENT DISPENSER. TO FILL THE DISPENSER, OPEN THE CAP AND POUR THE RINSE AID INTO THE DISPENSER UNTIL THE LEVEL INDICATOR TURNS COMPLETELY BLACK. THE DISPENSER HOLDS ABOUT 100ML OF LIQUID RINSE AID.
 - BE CAREFUL NOT TO OVERFILL THE DISPENSER – THIS COULD CAUSE FROTHING. WIPE AWAY SPILLS WITH A DAMP CLOTH. DON'T FORGET TO REPLACE THE CAP BEFORE YOU CLOSE THE DISHWASHER DOOR.

NOTE: IF YOU HAVE SOFT WATER, YOU MAY NOT NEED RINSE AID FOR IT MAY CAUSE A WHITE FILM TO DEVELOP ON YOUR DISHES.

ADJUSTING THE RINSE AID DISPENSER

As with detergent, the amount of rinse aid needed for your dishes depends on the hardness of the water in your area.

Too much rinse aid can result in foaming and cause cloudiness or streaks on your dishes. If your water is very soft, you may not need rinse aid. You can always dilute the rinse aid with an equal amount of water.

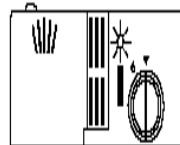


The rinse aid dispenser has six settings. ALWAYS START WITH THE DISPENSER SET ON "1". IF SPOTS & POOR DRYING ARE A PROBLEM, INCREASE THE AMOUNT OF RINSE AID DISPENSED BY REMOVING THE DISPENSER LID AND ROTATING THE DIAL TO "2". IF THE DISHES ARE STILL NOT DRYING PROPERLY OR ARE SPOTTED, ADJUST THE DIAL TO THE NEXT HIGHER NUMBER UNTIL YOUR DISHES ARE SPOT-FREE.

*****NOTE:** Please read the notes for detergent use on p. 13.

WHEN TO REFILL THE RINSE AID DISPENSER

- If the rinse aid warning light (SEE control panel) is not on, you can judge the rinse aid level by looking at the black dot on the rinse aid dispenser. As the rinse aid level decreases, the black dot shrinks. Never let the rinse aid get below ¼ full.



As the rinse aid diminishes, the size of the black dot on the rinse aid level indicator changes, as illustrated below.

- Full
- 3/4 full
- 1/2 full
- 1/4 full – Should refill to eliminate spotting
- Empty

LOADING YOUR DISHWASHER

NOTE:

FOR BEST PERFORMANCE, FOLLOW THESE LOADING GUIDELINES. FEATURES AND APPEARANCE OF RACKS & CUTLERY BASKETS MAY VARY FROM YOUR MODEL.

BEFORE LOADING!

- REMOVE ALL SCRAPS OF FOOD.
- EMPTY DRINKS & LIQUIDS FROM CUPS.
- SOFTEN BURNT-ON FOOD IN PANS BY SOAKING.

DO NOT PUT THESE ITEMS IN YOUR DISHWASHER:

- | | | |
|--|---|--|
| <ul style="list-style-type: none">• BRONZE CUTLERY• SAUCEPANS WITH WOODEN HANDLES• CUTLERY WITH WOODEN, HORN, CHINA OR MOTHER OF PEARL HANDLES• PLASTIC ITEMS THAT ARE NOT HEAT RESISTANT | <ul style="list-style-type: none">• OLDER CUTLERY WITH GLUED PARTS• BONDED CUTLERY ITEMS OR DISHES• PEWTER OR COPPER ITEMS• LEAD CRYSTAL GLASS | <ul style="list-style-type: none">• STEEL ITEMS SUBJECT TO RUSTING• WOODEN PLATTERS• ITEMS MADE FROM SYNTHETIC FIBRES (eg. SPONGES)• DELICATE, REPAIRED OR PAINT / PATTERN OVERLAID CHINA |
|--|---|--|

Note:

Do not wash stainless steel and silver cutlery together. Iron objects can rust and stain other items. Aluminium tends to go black. Copper, pewter & brass stain.

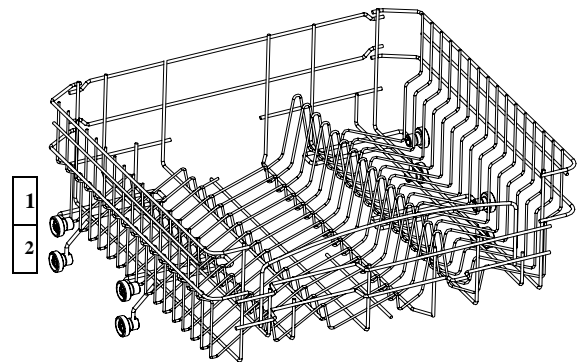
HOW TO USE THE UPPER RACK

THE UPPER RACK IS FOR MORE DELICATE AND LIGHTER DISHWARE SUCH AS GLASSES, COFFEE & TEA CUPS, SAUCERS, PLATES, BOWLS, AND SHALLOW PANS (PROVIDED THESE ARE NOT TOO DIRTY).

POSITION THE DISHES AND COOKWARE SO THAT THEY DO NOT GET MOVED BY THE SPRAY OF WATER. ALWAYS PLACE GLASSES, CUPS & BOWLS UPSIDE DOWN.

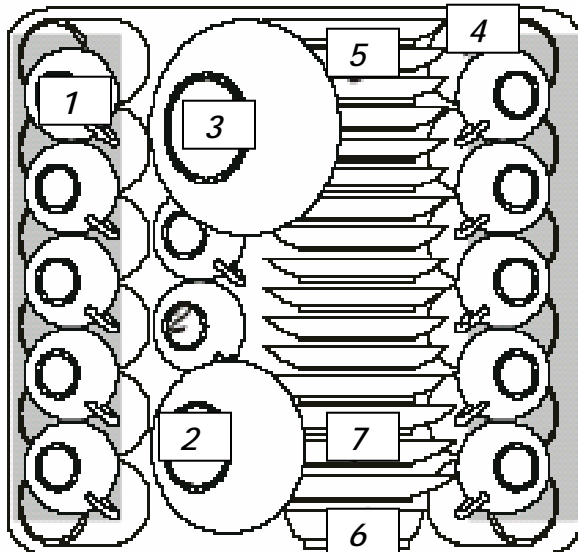
NOTE:

YOUR DISHWASHER COMES WITH AN ADJUSTABLE TOP RACK (BASKET) – PICTURED AT RIGHT. ITS HEIGHT CAN BE ADJUSTED BY UNDOING THE FRONT RAIL CLIPS, REMOVING THE RACK COMPLETELY AND LATCHING THE WHEELS OF THE LOWER LEVEL (POSITION '1' IN THE FIGURE ON THE RIGHT) OR THE HIGHER LEVEL (POSITION '2' IN THE FIGURE ON THE RIGHT) IN THE GROOVE OF THE RAIL.

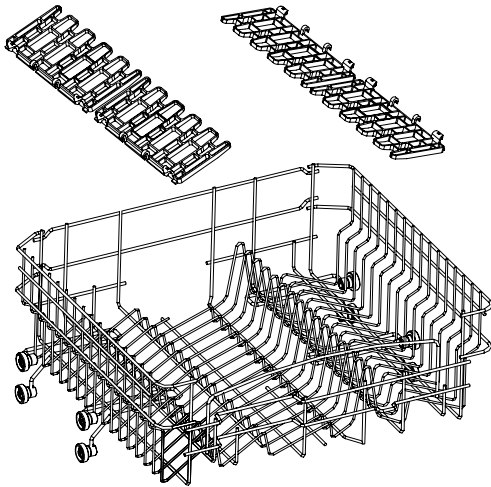


PLEASE NOTE: WHEN THE UPPER BASKET IS IN THE FULLY RAISED POSITION THE MAXIMUM PLATE SIZE THAT CAN BE ACCOMODATED IS 28 CM.

LOADING GUIDE (UPPER RACK):



- 1 Cups**
- 2 Small Serving Bowls**
- 3 Large Serving Bowls**
- 4 Glasses**
- 5 Saucers**
- 6 Dishes**
- 7 Plates**



*****NOTE***: THE UPPER RACK HAS SIDE FLAPS (PICTURED AT LEFT ABOVE BASKET). THERE ARE 4 (2 ON EACH SIDE). THESE CAN BE ADJUSTED INTO 2 POSITIONS = POSITION 1 (HIGH) AND POSITION 2 (LOW).**

TO MOVE THE FLAPS BETWEEN THESE POSITIONS, **FIND THE LARGE HINGES CLASPING EACH FLAP TO THE UPPER RACK**. THERE ARE TWO OF THESE AT EITHER END OF EACH FLAP. GENTLY PULL BOTH CLASPS OFF THE WIRE RACK AND MOVE THE FLAP TO THE DESIRED POSITION. **BE CAREFUL IF YOU HAVE LONG FINGERNAILS!**

POSITION 1

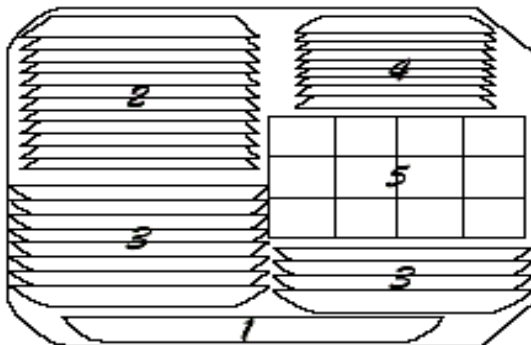
THE UPPER POSITION WILL ACCOMMODATE ITEMS SUCH AS GLASS TUMBLERS (PLACED BENEATH FLAP) AND WINE GLASSES. WINE GLASSES CAN BE PLACED UPSIDE DOWN SO THAT THE NECK NESTLES SNUGLY IN THE GROOVES AT SIDE OF FLAP WITH THE BASE OF THE GLASS FACING UPWARD.

POSITION 2

WHEN THE FLAPS ARE MOVED TO THE LOWER POSITION, THEY CAN BE USED TO HOLD ADDITIONAL TUMBLERS, CUPS AND MUGS. ALWAYS CHECK THAT YOU ARE ONLY PLACING ITEMS ON THE FLAPS THAT WILL CLEAR THE CEILING HEIGHT OF YOUR DISHWASHER WHEN YOU PUSH THE RACK BACK IN. BE PARTICULARLY CAREFUL WITH LONG-STEMMED GLASSWARE SUCH AS CHAMPAGNE GLASSES – **BREAKAGE HAZARD!**

HOW TO LOAD THE LOWER RACK:

PLACE LARGE ITEMS THAT ARE HARD TO CLEAN IN THE LOWER RACK: *eg.* **POTS, PANS, LIDS, SERVING DISHES, BOWLS.**

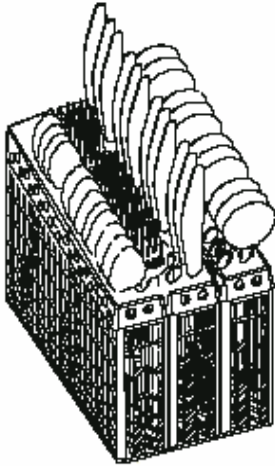


- 1. OVAL PLATTER.**
- 2. DINNER PLATES.**
- 3. SOUP PLATES.**
- 4. DESSERT DISHES.**
- 5. CUTLERY BASKET.**

- **POTS, SERVING BOWLS, ETC. MUST ALWAYS BE PLACED UPSIDE DOWN.**
- **DEEP POTS SHOULD BE SLANTED TO LET WATER FLOW OUT.**
- **THE BOTTOM RACK FEATURES FOLD DOWN BASKETS SO THAT LARGER OR MORE POTS & PANS CAN BE LOADED.**

CUTLERY BASKET

CUTLERY SHOULD BE PLACED IN THE CUTLERY BASKET WITH HANDLES ALWAYS POINTING DOWNWARD (AT THE BOTTOM). VERY LONG UTENSILS (LADLES, etc.) SHOULD BE PLACED HORIZONTALLY AT THE FRONT OF THE UPPER RACK.



4	1	5	3	3	2
4	1	5	3	3	2
4	1	5	3	3	2
4	1	5	3	3	2
4	1	5	3	3	2
4	1	5	3	3	2
4	1	5	6	8	2
4	1	5	7	6	2

- 1 Forks**
- 2 Soup Spoons**
- 3 Dessert Spoons**
- 4 Teaspoons**
- 5 Knives**
- 6 Serving Spoons**
- 7 Gravy Ladle**
- 8 Serving Fork**



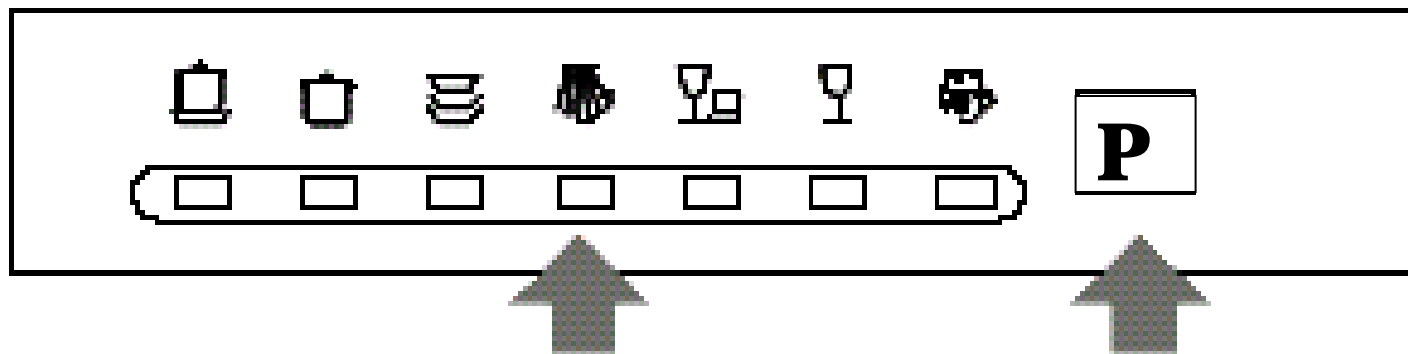
⚠ WARNING!

Do not let any item extend through bottom.

NOTE:

- WHEN YOU ARE SATISFIED YOU HAVE LOADED ALL THE UTENSILS AND DISHES YOU WANT TO WASH AND HAVE ADDED THE PROPER AMOUNT OF DETERGENT TO THE DISPENSER (REMEMBER TO CHECK THE TABLE ON PAGE 13 FOR THE DOSE THAT'S RIGHT FOR THE WASHING CYCLE YOU WANT), ENSURE THE RACKS ARE PUSHED ALL THE WAY BACK INTO YOUR DISHWASHER AND CLOSE THE DOOR.
- YOU ARE NOW READY TO START A WASH CYCLE (SEE NEXT PAGE).

STARTING A WASH CYCLE



Program indicator light

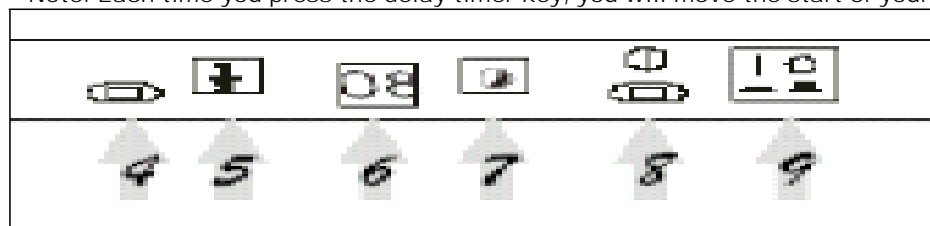
Program key-press

- 1) MAKE SURE THAT YOUR DISHWASHER'S PLUG HAS BEEN PUSHED ALL THE WAY INTO THE WALL SOCKET.
- 2) MAKE SURE THAT THE WATER SUPPLY IS TURNED ON TO FULL PRESSURE.
- 3) LOAD YOUR DISHWASHER (SEE THE SECTION ENTITLED 'LOADING YOUR DISHWASHER', PAGES 8-11).
- 4) POUR IN DETERGENT (SEE THE SECTION ENTITLED 'SALT, DETERGENT & RINSE AID', PAGES 5-7).
- 5) OPEN THE DOOR, PRESS THE 'ON/OFF' BUTTON AND THE 'ON/OFF' LIGHT WILL COME ON.
- 6) PRESS THE 'P' KEY (PROGRAM KEY) TO SELECT THE 'WASH CYCLE'. SEE TABLE ON NEXT PAGE FOR WASH CYCLE TYPES.
- 7) CLOSE THE DOOR. THE WASHING WILL START AFTER APPROXIMATELY TEN SECONDS.

**** **Note:** When you turn your dishwasher on, the number '00' should show on the display. If you see any other digits, such as '17' or '01', '02', '03', etc., please refer to the trouble-shooting section on page 19.

*** REMEMBER *:** YOU CAN PROGRAM YOUR DISHWASHER UP TO 24 HOURS IN ADVANCE BY PRESSING THE DELAY BUTTON MULTIPLE TIMES UNTIL THE DESIRED DELAY HAS BEEN SET.

* Note: Each time you press the delay timer key, you will move the start of your wash cycle forward by one hour.










Delay Timer Key (7)

Approximate Timing of Wash Cycles

<u>Intensive</u> (strong)	<u>Normal</u>	<u>Economy</u>	<u>Rinse</u>	<u>Glass</u>	<u>Rapid</u>	<u>Soap</u>
133	112	106	51	73	48	7
mins.	mins.	mins.	mins.	mins.	mins.	mins.

WASH CYCLE TABLE

Program	Cycle	Cycle Selection Information	Description of Cycle	Detergent pre/main	Rinse Aid
Normal	 (IEC-EN 50242)	For normally soiled loads, such as pots, plates, glasses and lightly soiled pans. standard daily cycle.	Pre-rinse Pre-rinse Wash (50 °C) Rinse Rinse (65 °C) Drying	5 grams (pre) / 22 grams (main)	★
Intensive		For the heaviest soiled loads, such as pots, pans, casserole dishes and dishes that have been sitting with dried food on them for a while.	Pre-rinse Pre-rinse(50 °C) Wash (60 °C) Rinse Rinse (70 °C) Drying	5 grams (pre) / 22 grams (main)	★
Economy		For lightly soiled loads, such as plates, glasses, bowls and lightly soiled pans.	Pre-rinse Wash (50 °C) Rinse Rinse (65 °C) Drying	22 grams	★
Rinse		For dishes that need to be rinsed and dried only.	Rinse Rinse (65 °C) Drying		★
Light		For lightly soiled loads, such as glasses, crystal and fine china.	Pre-rinse Wash (40 °C) Rinse Rinse (65 °C)	15 grams	★
Rapid		A shorter wash for lightly soiled loads that do not need drying.	Wash (40 °C) Rinse Rinse (55 °C)	15 grams	
Soak		To rinse dishes that you plan to wash later that day.	Pre-rinse		

OVERFLOW PROTECTION

YOUR BAUMATIC DISHWASHER HAS AN OVERFILL PROTECTION DEVICE WHICH AUTOMATICALLY SHUTS OFF THE INLET VALVE AND STARTS THE DRAIN PUMP IF THE WATER OVERFLOWS. IF THIS OCCURS THEN TURN OFF THE MAINS WATER SUPPLY BEFORE CALLING THE SERVICE DEPARTMENT. IF THERE IS WATER IN THE BASE PAN BECAUSE OF AN OVERFILL OR SMALL LEAK, THE WATER SHOULD BE REMOVED BEFORE RESTARTING THE DISHWASHER. A BUCKET AND A SPONGE ARE RECOMMENDED TO HAVE AT HAND FOR THIS PURPOSE.

FORGET TO ADD A DISH?

A FORGOTTEN DISH CAN BE ADDED AT ANY TIME BEFORE THE DETERGENT DISPENSER OPENS.

- OPEN THE DOOR A LITTLE TO STOP THE WASHING.
- WAIT ABOUT TEN SECONDS. AFTER THE SPRAY ARMS STOP WORKING, YOU CAN OPEN THE DOOR COMPLETELY.
- ADD FORGOTTEN DISHES.
- CLOSE THE DOOR, THE DISHWASHER WILL WORK AFTER TEN SECONDS.

NEED TO INTERRUPT A CYCLE?

If an emergency arises, you can stop the machine at any time. Remember to wait approx. 10 seconds before you open the door fully, as the spray arms continue to turn after the power has been cut and could spray hot water up at you.

DO NOT PRESS THE 'ON/OFF' BUTTON AS THIS WILL RESET THE WHOLE WASH CYCLE! YOU JUST NEED TO PULL THE DOOR OPEN – DO NOT TOUCH ANY BUTTONS!

SET THE WRONG CYCLE?

If you set the wrong wash program, you can always cancel the one the machine is working on by pressing the 'ON/OFF' button to switch your dishwasher off, waiting a few seconds before opening the door to change the cycle (see p.12 to recap on how to start a washing cycle). Don't forget to add detergent for the new cycle. Your dishwasher will automatically drain any water away and begin the new cycle.

▲ WARNING! TAKE CARE WHEN OPENING THE DOOR DURING WASHING. THE HOT WATER IN THERE MAY SCALD YOU IF YOU OPEN THE DOOR TOO QUICKLY!

AT THE END OF THE WASH CYCLE

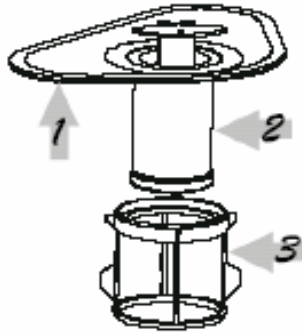
WHEN YOUR DISHWASHER'S WASHING CYCLE HAS FINISHED:

- ***THE ALARM WILL SOUND FOR EIGHT SECONDS.***
- ***OPEN THE DOOR OF YOUR DISHWASHER & SWITCH YOUR DISHWASHER OFF USING THE 'ON/OFF' KEY.***
- ***WAIT A FEW MINUTES BEFORE UNLOADING THE DISHWASHER TO AVOID HANDLING THE DISHES AND UTENSILS WHILE THEY ARE STILL HOT AND MORE SUSCEPTIBLE TO BREAKAGE.***
- ***THEY WILL ALSO DRY BETTER IF YOU LEAVE THEM IN FOR A WHILE.***

NOTE: THESE MODELS FEATURE BUILT-IN **RESIDUAL DRYING.**

FILTERING SYSTEM

FOR YOUR CONVENIENCE, WE HAVE PLACED THE FILTERING SYSTEM WITHIN EASY REACH INSIDE THE TUB. THE FILTER REMOVES BITS OF FOOD TRAPPED IN THE FILTER FROM THE WASH WATER SO IT CAN BE RECIRCULATED DURING THE CYCLE. THERE ARE THREE PARTS TO THE FILTERING SYSTEM: **1) The Main Filter, 2) The Coarse Filter & 3) The Fine Filter.**



1 MAIN FILTER

Food and soil particles trapped by this filter are pulverized by a special jet on the lower spray arm and washed down the drain.

2 COARSE FILTER

Larger items, such as pieces of bone or glass that could clog the drain are trapped in the coarse filter. To remove an item caught in this filter, **gently squeeze the tabs on top of this filter and lift it out.**

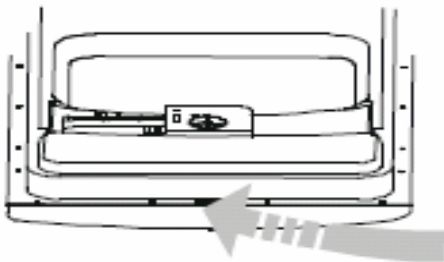
3 FINE FILTER

This filter holds soil and food residue in the sump area and prevents it from being re-deposited on the dishes during a cycle.

Caring for your Dishwasher

CLEANING THE OUTSIDE SURFACES OF YOUR APPLIANCE

- TO CLEAN THE EXTERIOR OF YOUR DISHWASHER (INCLUDING THE CONTROL PANEL), USE A LIGHTLY DAMPENED CLOTH THEN DRY THOROUGHLY. **NEVER USE SHARP OBJECTS, SCOURING PADS OR HARSH CLEANERS ON ANY PART OF THE APPLIANCE. SOME PAPER TOWELS CAN SCRATCH.**

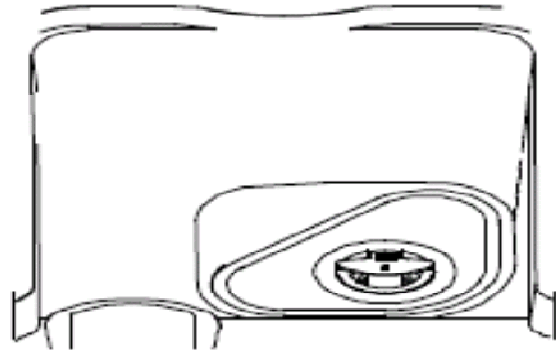


- TO CLEAN THE EDGE AROUND THE DOOR, ONLY EVER USE A SOFT WARM, DAMP RAG. DO NOT USE A SPRAY CLEANER HERE OR WHEN CLEANING THE DOOR PANEL AS THIS MAY HARM THE DOOR LOCK AND ELECTRICAL PARTS.

CLEANING THE SPRAY ARMS

THE SPRAY ARMS NEED REGULAR CLEANING AS HARD WATER RESIDUES WILL CLOG THEIR JETS & BEARINGS. TO REMOVE THE SPRAY ARM, SCREW OFF THE NUT TO TAKE OUT THE WASHER ON TOP OF THE SPRAY ARM AND REMOVE THE ARM. WASH THE ARMS IN SOAPY WARM WATER & USE A SOFT BRUSH TO CLEAN THE JETS. REPLACE THE SPRAY ARM AFTER RINSING IT THOROUGHLY.





CLEANING THE FILTERS

- THE FILTER ASSEMBLY MUST BE KEPT CLEAN FOR BEST PERFORMANCE. You should remove the larger bits of food trapped in the filter after each wash cycle by rinsing the semicircular filter and cup under running water. **To remove the filter assembly, pull up on the cup handle.**
- ***The entire filter assembly should be cleaned at least once a month.***
- To clear the coarse filter and the fine filter, use a cleaning brush. Then, reassemble the filter parts as shown in the figure above and reinsert the entire assembly in the dishwasher in its seat & press downward to secure it.
- Improper replacement of the filter may impair appliance performance and damage dishes and utensils.

- ***Warning - never run the dishwasher without the filters in place!***
- ***Warning - Before cleaning the inner cavity of the appliance always allow 30 minutes for the Element to cool down to avoid injury!***

HOW TO KEEP YOUR DISHWASHER IN SHAPE

AFTER EVERY WASH, leave the door slightly ajar so that moisture and odours are not trapped inside.

REMOVE THE PLUG before cleaning or performing maintenance. Never run the risk of electric shocks.

DO NOT USE SOLVENTS OR ABRASIVE CLEANING AGENTS to clean the exterior and the rubber parts of the dishwasher. Only use a cloth and warm soapy water. To remove spots or stains from the surface of the interior, use a cloth dampened with water and a little white vinegar, or a cleaning product made specifically for dishwashers.

WHEN YOU GO ON HOLIDAY, run a wash cycle with the dishwasher empty. Then unplug it, turn off the water supply and leave the door slightly ajar to prevent odours and mould from developing.

MOVING THE APPLIANCE is possible but **KEEP IT UPRIGHT**.

SEALS can trap food, which in turn will cause odours. Periodic cleaning with a damp cloth or sponge will prevent this from becoming a problem.

PROTECTING YOUR DISHWASHER AGAINST FREEZING

If your dishwasher is left in an unheated place during the winter, ask a service technician to:

- 1) **Cut off electrical power to the dishwasher. Remove fuses or trip circuit breaker.**
- 2) **Turn off the water supply and disconnect the water inlet pipe from the water valve & discharge hoses.**
- 3) **Drain water from the inlet pipe and water valve (Use a pan to catch the water).**
- 4) **Reconnect the water inlet pipe to the water valve.**
- 5) **Remove the plastic sump cover in the tub bottom and use a sponge to soak up water in the rubber boot.**

BEFORE YOU CALL FOR SERVICE ...

CHECKING AGAINST THE CHARTS BELOW MAY FIX YOUR PROBLEM.

<i>PROBLEM</i>	<i>POSSIBLE CAUSES</i>	<i>WHAT TO DO</i>
<i>Dishwasher doesn't run!</i>	<ul style="list-style-type: none"> Fuse blown, or the circuit breaker acted 	<ul style="list-style-type: none"> Replace fuse or reset circuit breaker. Remove any other appliances feeding from the same socket as the dishwasher.
	<ul style="list-style-type: none"> Power supply is not turned on 	<ul style="list-style-type: none"> Make sure the dishwasher is turned on and the door is closed securely.
	<ul style="list-style-type: none"> Water pressure is low 	<ul style="list-style-type: none"> Check that the water supply is connected properly and the water is turned on.
	<ul style="list-style-type: none"> ... And (situation A) the number 17 is showing on the display. This means that your dishwasher has entered Test Mode – a factory sequence which you need not concern yourself with. This happens because the Delay Timer key was pressed before the 'ON/OFF' key was pressed. ... Or (situation B) the display shows one of the following: 0A, 09, 08, 07, 06, 05, 04, 03, 02, 01, 00. 	<ul style="list-style-type: none"> For situation A, Press and hold down the Delay Timer key at the same time as you're pressing the 'ON/OFF' button to switch the dishwasher off. Wait a few seconds then press only the 'ON/OFF' button again. You are now ready to program your dishwasher for a washing cycle as per usual. For situation B, Press 'ON / OFF' button to turn the dishwasher off. Then, press and hold down the Program Key ('P') at the same time as you're pressing the 'ON / OFF' button to switch the dishwasher on again. You are now ready to program a cycle as per usual.
<i>Drain Pump doesn't stop!</i>	<ul style="list-style-type: none"> Overflow 	<ul style="list-style-type: none"> The system is designed to detect an overflow. When it does, it shuts off the circulation pump and turns on the drain pump. Call a Baumatic Ltd approved technician.

PROBLEM	POSSIBLE CAUSES	WHAT TO DO
<i>Noise!</i>	<ul style="list-style-type: none"> Some audible sounds are normal 	<ul style="list-style-type: none"> Sound from soft food shredding action and detergent cup opening. This is not a problem.
	<ul style="list-style-type: none"> Utensils are not secure in the baskets or something small has dropped into the basket and is loose 	<ul style="list-style-type: none"> Ensure everything is placed securely in the dishwasher.
	<ul style="list-style-type: none"> Motor Hums 	<ul style="list-style-type: none"> Dishwasher has not been used regularly. If you do not use it often, remember to set it to fill and pump out every week. (See Wash Cycle table). This will help keep the seal moist.
<i>Suds in the Tub!</i>	<ul style="list-style-type: none"> Improper detergent 	<ul style="list-style-type: none"> Use only special dishwasher detergent to avoid suds.
<i>Stained tub Interior!</i>	<ul style="list-style-type: none"> Spilled rinse agent 	<ul style="list-style-type: none"> Always wipe up rinse agent spills immediately.
	<ul style="list-style-type: none"> Detergent with colorant was used 	<ul style="list-style-type: none"> Make sure you use detergent without colorant.
<i>Dishes are not dried!</i>	<ul style="list-style-type: none"> Rinse agent dispenser is empty 	<ul style="list-style-type: none"> Make sure that the rinse agent dispenser is filled.
<i>Dishes and Flatware not Clean!</i>	<ul style="list-style-type: none"> Improper program 	<ul style="list-style-type: none"> Select stronger program.

PROBLEM	POSSIBLE CAUSES	WHAT TO DO
<i>Spots and Filming on Glasses and Flatware!</i>	<ul style="list-style-type: none"> Improper rack loading 	<ul style="list-style-type: none"> Make sure there are no large dishes blocking the action of the detergent dispenser and the spray arms.
	<ul style="list-style-type: none"> Extremely hard water Low inlet temperature Overloading the dishwasher Improper loading Old or damp powder detergent Empty rinse agent dispenser Incorrect dosage of detergent 	<p>To remove spots from glassware:</p> <ol style="list-style-type: none"> Take all metal utensils out of the dishwasher. Do not add detergent. Choose the longest cycle. Start the dishwasher and let it run for 18 - 22 minutes, then it will be in the main wash. Open the door and pour 2 cups of white vinegar into the bottom of the dishwasher. Close the door and let the dishwasher complete the cycle. If the vinegar does not work, repeat as above, only use ¼ cup (60ml) of citric acid crystals instead of vinegar.
<i>Cloudiness on glass!</i>	<ul style="list-style-type: none"> Combination of soft water and too much detergent 	<ul style="list-style-type: none"> Use less detergent if you have soft water and select a shorter cycle to clean the glassware.
<i>Yellow or brown film on inside surfaces!</i>	<ul style="list-style-type: none"> Tea or coffee stains 	<ul style="list-style-type: none"> Use a solution of ½ cup of bleach and 3 cups warm water to remove the stains by hand. Rinse thoroughly.
<i>White film on inside surface!</i>	<ul style="list-style-type: none"> Iron deposits in water can cause an overall film 	<ul style="list-style-type: none"> You have to call a water softener company for a special filter.
<i>Detergent cup lid won't latch!</i>	<ul style="list-style-type: none"> Hard water minerals 	<ul style="list-style-type: none"> To clean the interior, use a damp sponge with dishwasher detergent and wear rubber gloves. Never use any other cleaner than dishwasher detergent for the risk of foaming or suds.
	<ul style="list-style-type: none"> Button is not in the 'OFF' position 	<ul style="list-style-type: none"> Turn the Button to 'OFF' position and slide the door latch to the left.

PROBLEM	POSSIBLE CAUSES	WHAT TO DO
<i>Detergent left in dispenser cups!</i>	<ul style="list-style-type: none"> • Dishes block detergent cups 	<ul style="list-style-type: none"> • Reload the dishes properly.
<i>Steam!</i>	<ul style="list-style-type: none"> • Normal phenomenon 	<ul style="list-style-type: none"> • There is some steam coming through the vent by the door latch during drying and water draining.
<i>Black or grey marks on dishes!</i>	<ul style="list-style-type: none"> • Aluminium utensils have rubbed against dishes 	<ul style="list-style-type: none"> • Use a mild abrasive cleaner to eliminate those marks by hand.
<i>Water standing in the bottom of the tub!</i>	<ul style="list-style-type: none"> • This is normal 	<ul style="list-style-type: none"> • A small amount of clean water around the outlet on the tub bottom at the back of the tub keeps the water seal lubricated. No action needed.
<i>Dishwasher leaks!</i>	<ul style="list-style-type: none"> • Overfilled dispenser or rinse aid has spilled 	<ul style="list-style-type: none"> • Be careful not to overfill the rinse aid dispenser. • Spilled rinse aid could cause oversudsing and lead to overflowing. • Wipe away any spills with a damp cloth.
	<ul style="list-style-type: none"> • Dishwasher isn't level 	<ul style="list-style-type: none"> • Make sure the dishwasher is level.
	<ul style="list-style-type: none"> • 3-in-1 Tablets 	<ul style="list-style-type: none"> • Make sure if you're using 3-in-1 tablets that you do not put rinse aid and salt into the appliance as well.

PROBLEM	POSSIBLE CAUSES	WHAT TO DO
<i>Door popping open!</i>	<ul style="list-style-type: none"> • Appliance not level 	<ul style="list-style-type: none"> • Level appliance & ensure top screws attaching appliance to work surface are not lifting the weight of the dishwasher.
	<ul style="list-style-type: none"> • Door not fitted correctly 	<ul style="list-style-type: none"> • See pages 27-28 for information about correct fitting of door.
	<ul style="list-style-type: none"> • Door tension not adjusted 	<ul style="list-style-type: none"> • Adjust tension page 29.
	<ul style="list-style-type: none"> • Door lock failure – Weight of door 	<ul style="list-style-type: none"> • Refer to service. Maximum weight of the door is 5.5 kg.
<i>Wrong Reading of Cycle Time remaining!</i>	<ul style="list-style-type: none"> • Note that the control panel display shows the water temperature as the dishwasher starts a cycle 	<ul style="list-style-type: none"> • Understand what your appliance's control panel is displaying. <i>Do not confuse the water temperature with the number of minutes remaining in a wash cycle.</i>

ERROR CODES - WHAT THEY MEAN

** YOUR DISHWASHER MAY EXPERIENCE A FAULT. SHOULD THIS HAPPEN, A CODE CONSISTING OF 'E' & A NUMBER FROM 1-7 CAN BE DISPLAYED.*

USE THIS TABLE TO UNDERSTAND WHAT IS WRONG.

***NOTE*: ALWAYS CALL FOR A *Baumatic Ltd* ENDORSED / APPROVED SERVICE TECHNICIAN TO CARRY OUT REPAIRS.**

CODE	SYMPTOM:	CAUSE:	WHAT TO DO:
'E1'	LONGER FILL TIME.	FAUCET IS NOT OPENED.	Ensure that inlet hose is not kinked or crushed.
'E2'	LONGER or EXTENDED DRAINING TIME	THE DRAIN PIPE WAS PLACED TOO HIGH WHEN IT WAS INSTALLED.	Ensure drainage system is as per manual and not extended.
'E3'	LONGER HEATING TIME – NOT REACHING REQUIRED TEMPERATURE	MALFUNCTION OF TEMPERATURE SENSOR OR OF HEATING ELEMENT.	CALL FOR A QUALIFIED SERVICE TECHNICIAN.
'E4'	OVERFILLED	<p>TOO MUCH INLET WATER.</p> <p>*NOTE * - THERE ARE NUMEROUS CAUSES OF AN 'E4' MESSAGE. REFER TO APPLIANCE USAGE SECTION OF THIS MANUAL FOR GUIDELINES ON HOW TO PREVENT AN OVERFILL.</p>	<p>Overdosing. 3-in-1 put in with salt and/or rinse aid in the appliance = overdose.</p> <p>Could also be a Water Pressure problem.</p>
'E5' *	SWITCH CANNOT SHUT OFF AUTOMATICALLY – PROGRAM NOT FINISHING ITS CYCLE.	<p>LOW VOLTAGE OR POWER SWITCH FAILURE.</p> <p>*** NOTE – YOU WILL NOT RUN INTO THIS ERROR ON THE BDW13/14/15 MODELS ****</p>	CALL FOR A QUALIFIED SERVICE TECHNICIAN.
'E6'	OPEN CIRCUIT	THERMISTOR.	CALL FOR A QUALIFIED SERVICE TECHNICIAN.
'E7'	SHORT CIRCUIT	THERMISTOR.	CALL FOR A QUALIFIED SERVICE TECHNICIAN.

WARNING!

IF OVERFLOW OCCURS, TURN OFF THE MAIN WATER SUPPLY BEFORE CALLING A SERVICE TECHNICIAN. IF THERE IS WATER IN THE BASE OF THE TANK PAN BECAUSE OF AN OVERFILL OR SMALL LEAK, THE WATER SHOULD BE REMOVED BEFORE RESTARTING THE DISHWASHER.

DISHWASHER CHARACTERISTICS

The BAUMATIC BDW13 & BDW14 dishwasher models are based firmly on convenience. Apart from having the same general workings as other household dishwashers, they have several extra features.



Performance of

Dishwasher - Your dishwasher has a B rated wash performance, B rated drying performance and A rated energy efficiency.



Overflow protection - Your dishwasher has an overflow protection program which could automatically shut off the inlet valve and start the drain pump if the water Overflows.



Time delay feature

- This allows the start of the program to be delayed between 1 and 24 hours, enabling you to benefit fully from cheaper electricity! Or just to benefit from the convenience of the program finishing when you want it to.



Error Alarm - Fault

codes display will inform the user of any abnormal status of the machine.



Temperature

display - Displays the wash temperature at any moment. If you know the water temperature, you'll be less likely to be scalded when you open the door.



Stainless steel tub-

You need not worry about stains to the tub.



7 wash programs -

You can choose desired program according to the soiled level. Such as, intensive wash, normal wash, economy, rinse, glass, rapid and pre-wash, etc.



12 place settings -

Normal wash load of 12 place settings.



Adjustable upper

basket - Even if the dishware is large, you can load the dishes by adjusting the basket.



Salt Warning

Indicator - If the salt is running low, this signal will light up on the control panel to alert you to top the salt level up so the machine can keep at its optimum performance level.



Rinse aid Warning

Indicator - If the rinse aid is running low, this signal will light up on the control panel, alerting you to top the rinse aid level up so the machine can keep at its optimum performance level.



Broad applied

voltage - This appliance uses AC (alternating current) voltage. Please be aware that this will make its operation vulnerable to uneven current in your home and power surges.

INSTALLATION INSTRUCTIONS

NOTE: APPLIANCE SHOULD ONLY BE FITTED BY A TRAINED TECHNICIAN

INSTALLING YOUR DISHWASHER

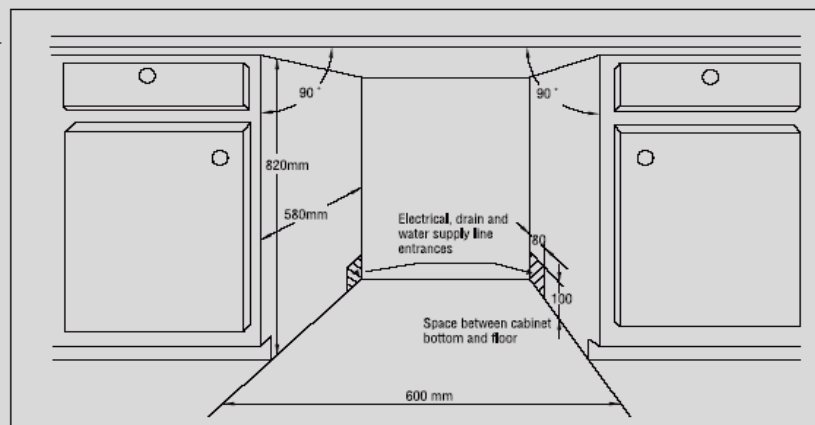
a) **PREPARATION**

Before you install your appliance, make sure that the place you have chosen to fit it is:

- Near the existing power socket.
- So that you can choose one side of the cabinet cavity to easily connect the dishwasher's drain hoses.
- Near your sink so you have easy access to the water inlet and drain hoses.
- If dishwasher is to be installed at the corner of cabinet area, make sure you have enough space when the door is opened.
- Is structured so that you have less than 5 mm between the top of the dishwasher and cabinet. Also check that the outer door is aligned to cabinet. (See figures below).

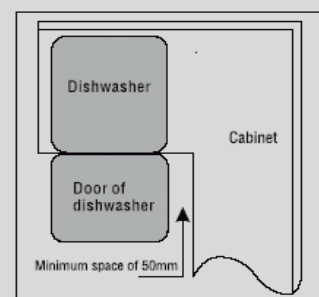
【 Figure1 】

Cabinet dimensions
Less than 5mm
between the top
of dishwasher and
cabinet and the
outer door aligned
to cabinet.



【 Figure2 】

Minimum space when
the door is opened

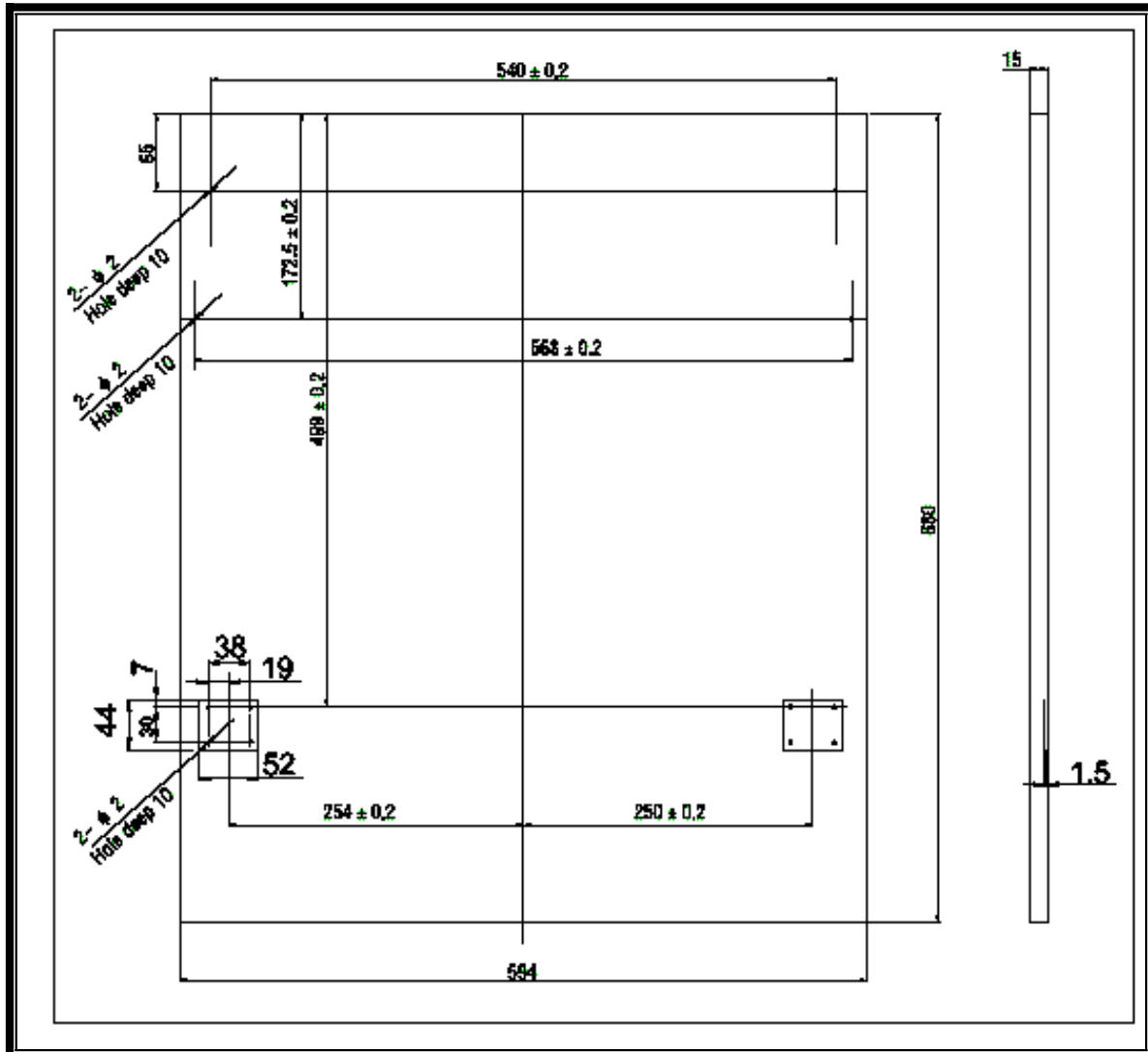


b) PLACING AND FITTING YOUR DISHWASHER'S OPTIONAL FURNITURE DOOR

1 The furniture door (an optional accessory fitted to match your kitchen décor available from your kitchen unit dealer) can be attached to the front of the dishwasher according to the following diagram. (Measurement is in millimetres):

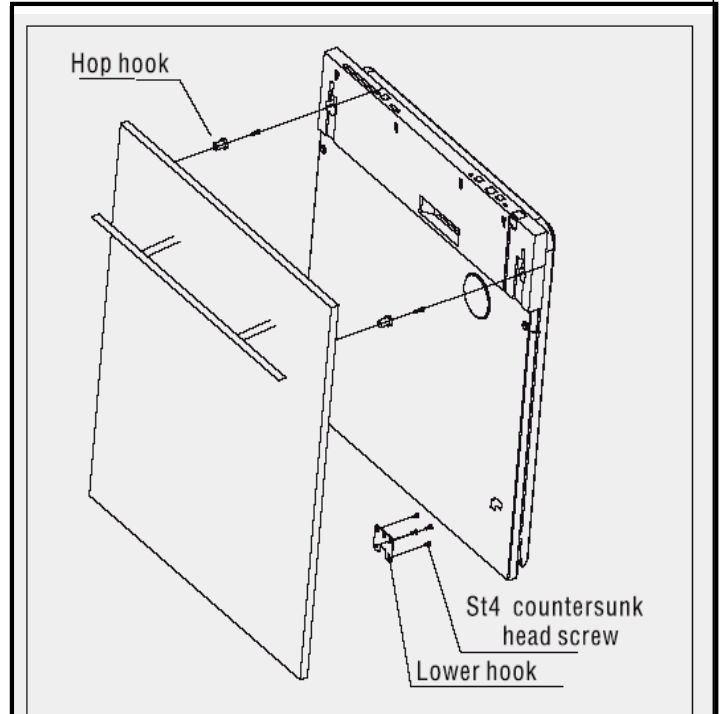
NOTE: THE MAXIMUM WEIGHT OF THE DOOR IS 5.5 KILOGRAMS.

- DO NOT INSTALL WITH SCREWS THROUGH THE DOOR ONLY.
- ONLY USE THE 2 SCREW HOLES AND BRACKETS AVAILABLE.
- FAILURE TO INSTALL DOOR CORRECTLY CAN CAUSE PROBLEMS WITH THE DOOR / PERFORMANCE OF YOUR APPLIANCE.



2

Install the hook on the furniture door and put the hook into the slot of the outer door of the dishwasher (see top figure). After positioning the panel, fix it onto the outer door using screws and bolts (see bottom figure).

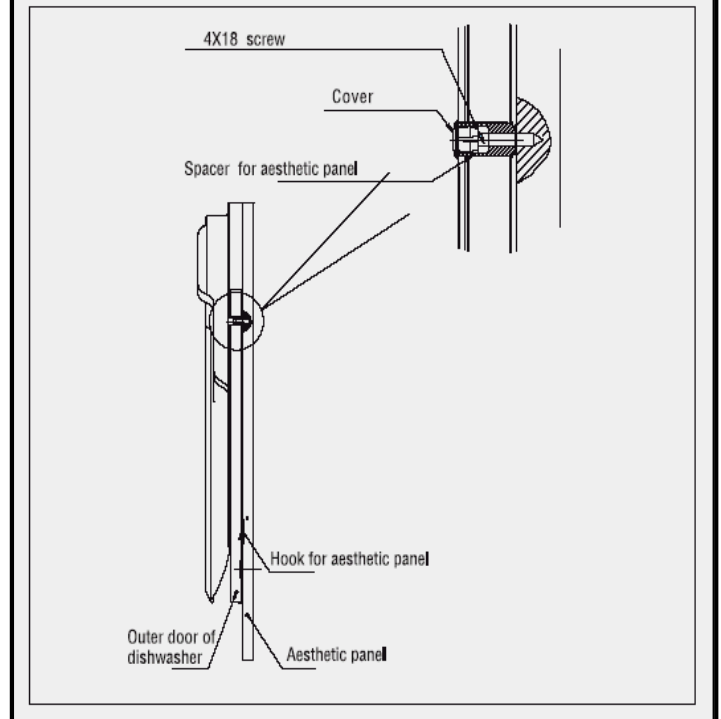


Installing the furniture door

NOTE: NAMED IN FIGURE AS 'AESTHETIC PANEL'

(PICTURED ON RIGHT)

1. Take away the cover.
2. Affix the screw.
3. Replace the cover.



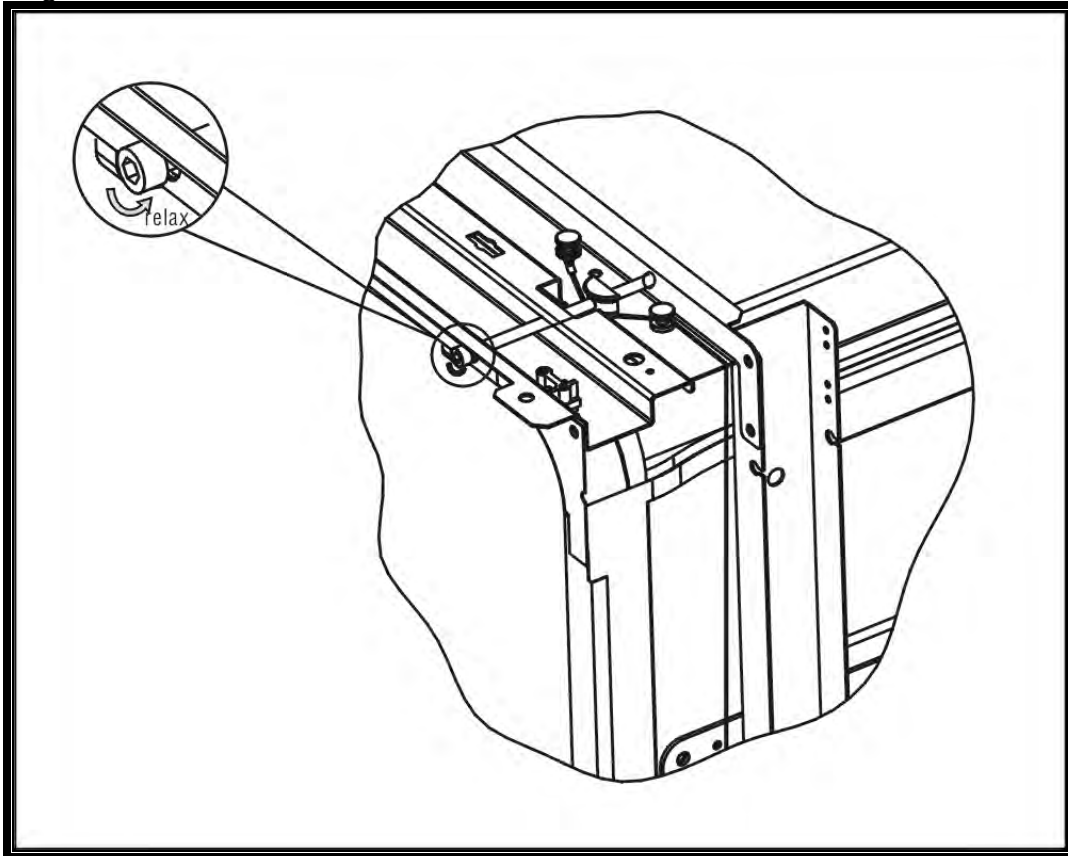
c) **TENSION ADJUSTMENT OF THE DOOR SPRING**

Your dishwasher's outer door is attached to springs. These are set at the factory to ensure they're at the proper tension so that the door can open and close smoothly and conveniently.

Note: If you have installed a cover panel over the door, you will have to adjust the door spring tension.

- **Using an Allen key, rotate the adjusting screw to tighten or slacken the steel cable. You must do this or damage to your dishwasher may result.**

The door's spring tension is good when the door remains horizontal in the fully opened position, yet rises to a close with the slight lift of a finger.



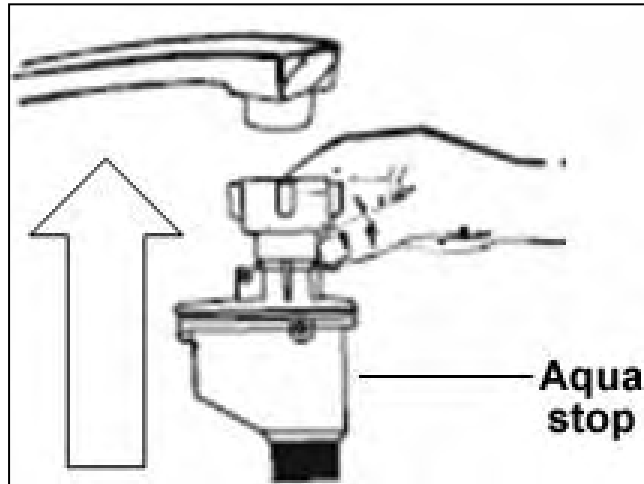
Warning: failure to adjust the door spring tension could result in damage to your dishwasher!

d) Connecting to the mains water supply



IMPORTANT: Do not connect the appliance to your mains water supply using an old or an existing water inlet hose. The inlet hose supplied with the dishwasher is the **ONLY** one that should be used.

DO NOT CONNECT THE WATER INLET HOSE TO A HOT WATER TAP.

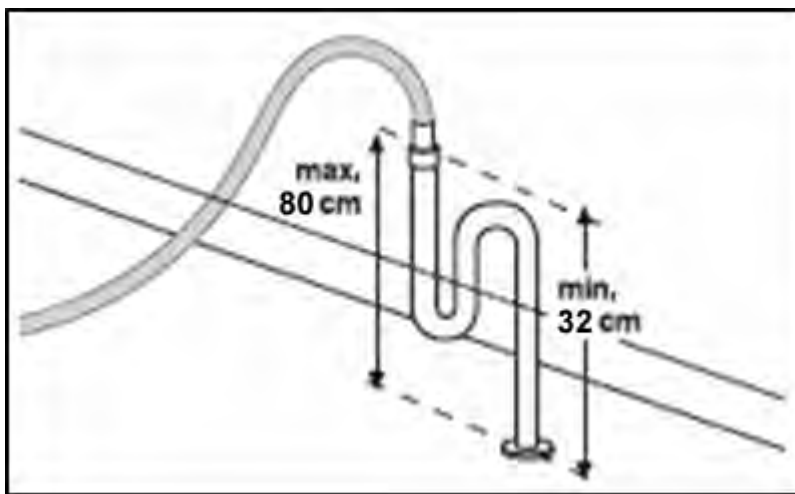


- The inlet hose will be located inside the cabinet of the dishwasher.
- Connect the water inlet hose to a threaded water tap that has a 3/4" thread.
- Fully tighten the inlet hose to the water tap.



IMPORTANT: If the inlet hose is fitted with an aqua stop. This **MUST** be fitted in the upright position, as shown in the above diagram.

e) Connecting the drain hose



- 9 Secure the drain hose, so that it cannot move whilst the dishwasher is in use.
- 9 Place the end of the drain hose on your drain pipe. Push it a short way down into your drain pipe.
- 9 **IMPORTANT:** Do not insert the drain hose too deeply into the water pipe, as this may cause siphoning.
- 9 **NEVER EXTEND THE DRAINAGE HOSE FROM ITS ORIGINAL LENGTH.**

f) NOW YOU ARE READY TO CONNECT THE POWER CORD.

WARNING!
ELECTRICITY CAN BE DANGEROUS. PLEASE READ THE FOLLOWING CAREFULLY:

ELECTRICAL CONNECTION

▲ WARNING!
Ensure proper ground exists before use

▲ CAUTION, for personal safety:

**DO NOT USE AN EXTENSION CORD OR AN ADAPTER PLUG WITH THIS APPLIANCE.
DO NOT, UNDER ANY CIRCUMSTANCES, CUT OR REMOVE THE THIRD GROUNDING PRONG FROM THE POWER CORD.**

Electrical Requirements

The dishwasher is designed for operation on an adequately wired individual **220-240V AC, 50Hz** system. The required fuse rating is **13amp**. Fused electrical supply is required – copper wire only. Time delay fuse or circuit breaker is recommended. **Make sure that this appliance runs off its own separate circuit.** Outlet should be placed in adjacent cabinet.

WARNING – ENSURE PROPER GROUND EXISTS BEFORE USE.

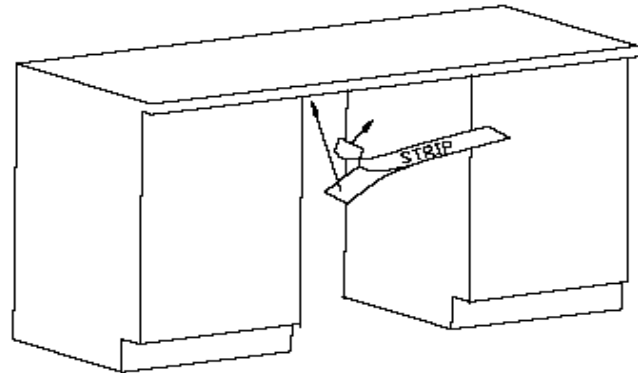
After making sure that the voltage and the frequency values for the current in your home correspond to those on the rating plate and that the electrical system is sized for the maximum voltage on the rating plate, insert the plug into an electrical socket which is earthed properly. If the electrical socket to which the appliance must be connected is **not right** for the plug, replace the socket, rather than using adaptors of the like as they could cause overheating and fire.

g) NOW, PUT THE DISHWASHER ON THE SLIDE RAILS (These are supplied so your appliance can be pushed into place easily and to protect your floor surface from pressure points). See figure at bottom of page.

h) THEN, APPLY THE CONDENSATION STRIP.

The Condensation Strip must be fitted to the underside of the worktop above your dishwasher to protect it against any moisture. Its purpose is to deflect steam rising from your appliance to protect your worktop's underside.

- The strip is located inside your dishwasher.
- Ensure the surface is clean prior to sticking to underside of the worktop.
- Separate the backing paper from the strip.
- Stick to the underside of the worktop.
Note: Failure to attach strip could result in damage to the underside of your work surface!



i) NOW YOU ARE READY TO PUSH THE DISHWASHER INTO POSITION (SEE FIGURE BELOW):

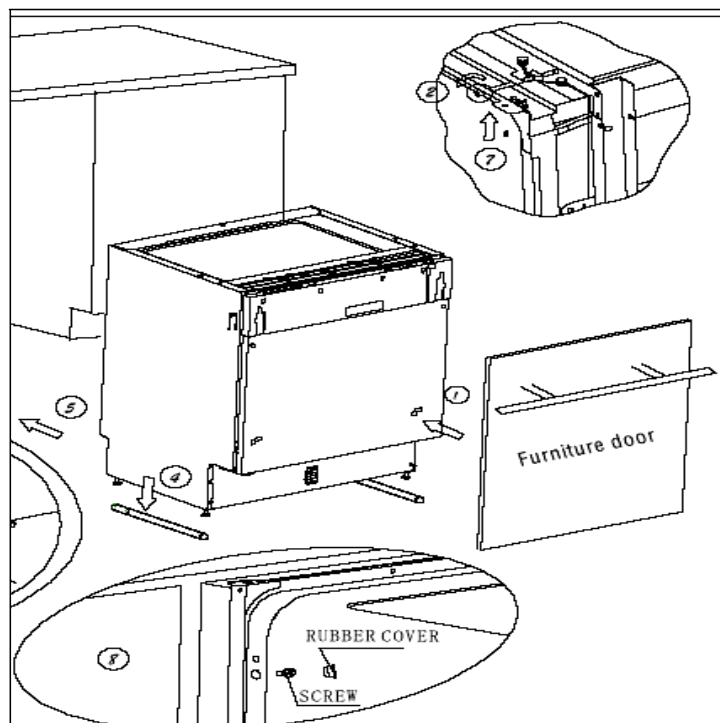
NOTE-

MAKE SURE YOU HAVE THE DISHWASHER ON ITS SLIDE RAILS (STEP 4 IN ILLUSTRATION ON RIGHT).

THEN MOVE IT INTO THE CABINET RECESS (AS PICTURED ON RIGHT). ENSURING THAT IT IS BACKED UP AGAINST THE WALL. ATTACH THE FURNITURE DOOR (STEP 1 AS PICTURED ON RIGHT) IF YOU HAVE NOT ALREADY DONE SO.

YOU ARE NOW READY TO SECURE YOUR APPLIANCE TO THE CABINET AREA (STEP 8 AS PICTURED ON RIGHT) & (STEPS 2 & 7 AS PICTURED ON RIGHT).

SEE p. 33 FOR FURTHER INSTRUCTIONS AS TO HOW TO ACCOMPLISH THESE.



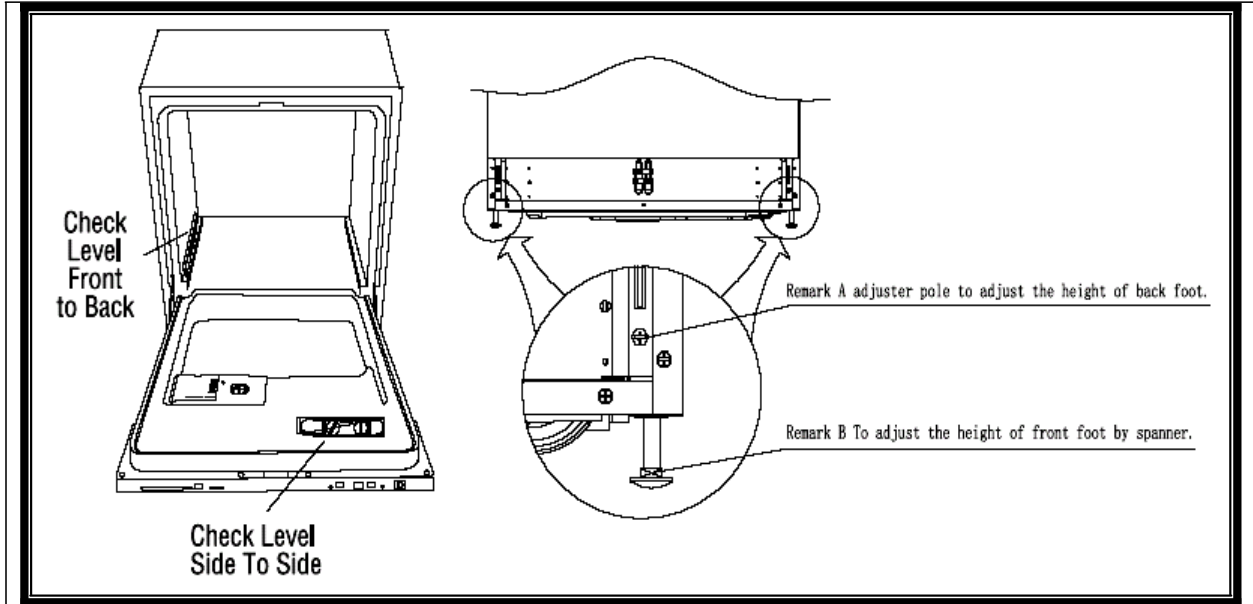
j) NOW GET THE DISHWASHER LEVEL.

NOTE: YOUR DISHWASHER MUST BE LEVEL FOR PROPER DISH RACK OPERATION AND WASH PERFORMANCE.

WARNING!

BE CAREFUL WHILE YOU ARE LEVELLING YOUR DISHWASHER IN PLACE – IT COULD TIP OVER AND INJURE YOU!

CONSULT THE FIGURE BELOW FOR HELP!



THE REAR FEET CAN BE ADJUSTED FROM THE FRONT OF THE DISHWASHER BY TURNING THE SCREWS ON THE LEFT AND RIGHT HAND SIDES OF THE CABINET. TO ADJUST THE FRONT FEET, USE A WRENCH / SPANNER AND TURN THE FRONT FEET UNTIL THE DISHWASHER IS LEVEL (PLEASE SEE 'REMARK B' IN THE ABOVE FIGURE). WHEN YOU ROTATE THE ADJUSTER POLE CLOCKWISE, THE BACK FOOT WILL DRIVE UP THE DISHWASHER. (PLEASE SEE 'REMARK A' IN THE ABOVE FIGURE). PLEASE NOTE THAT THE FRONT LEVELLING FEET ARE HELD TO THE APPLIANCE BY LOCKING NUTS. PLEASE HANDLE THESE WITH CARE WHEN INSTALLING.



CAUTION:

IT IS IMPORTANT THAT YOU RAISE THE BACK OF THE DISHWASHER WHILE YOU ARE LEVELLING THE REAR FEET. THIS CAN BE ACHIEVED USING A LEVER AND FULCRUM. TAKE GREAT CARE WHEN ATTEMPTING TO MOVE OR TILT YOUR DISHWASHER IN ANY WAY. **NOTE:** ***BAUMATIC WILL NOT BE LIABLE FOR ANY INJURY OR DAMAGE INCURRED WHILST YOU ATTEMPT TO MOVE YOUR DISHWASHER.***

k) ***THE DISHWASHER MUST NOW BE SECURED IN PLACE.***

THERE ARE TWO WAYS TO DO THIS, DEPENDING ON YOUR TYPE OF WORK SURFACE. REMEMBER THAT YOUR DISHWASHER'S WEIGHT MUST REST ON ITS FEET. THE FASTENINGS AT ITS TOP ARE TO GIVE STABILITY AND WILL PREVENT IT FROM TIPPING FORWARD:

NORMAL WORK SURFACE - SECURE TO THE WORK SURFACE'S UNDERSIDE BY USING TWO WOODSCREWS ENSURING THAT THE DISHWASHER CAN OPEN AND CLOSE COMFORTABLY.

MARBLE OR GRANITE WORK TOP – FOR THESE WORKTOPS, YOU WILL NOT BE ABLE TO SECURE THE TOP OF THE DISHWASHER TO THE UNDERSIDE OF THE SPECIAL WORK SURFACE. BECAUSE OF THIS, YOU WILL HAVE TO SECURE THE BRACKET TO THE SIDE PANELS OF THE DISHWASHER CABINET AND SECURE THE DISHWASHER TO THE FURNITURE HOUSING. PUT THE RUBBER CAP OVER THE SCREW.

NOTE: DO NOT PUT ANY WEIGHT FROM THE DISHWASHER ON THESE SCREWS – ENSURE YOUR DISHWASHER'S WEIGHT RESTS ENTIRELY ON ITS FEET.

FINAL CHECKLIST BEFORE OPERATING

NOTE: BEFORE YOU START USING YOUR DISHWASHER, PLEASE MAKE SURE YOU HAVE CHECKED:

- **WHETHER THE DISHWASHER IS LEVEL AND FIXED.**
- **WHETHER THE INLET VALVE IS OPENED.**
- **WHETHER THERE IS LEAKAGE AT THE CONNECTIONS OF THE CONDUCTS.**
- **WHETHER THE WIRES ARE TIGHTLY CONNECTED.**
- **WHETHER THE POWER IS SWITCHED ON.**
- **WHETHER THE INLET AND DRAIN HOSES ARE KNOTTED / KINKED.**
- **WHETHER ALL PACKING MATERIALS & PRINTED MATTER HAVE BEEN REMOVED FROM THE DISHWASHER.**

PLEASE KEEP THIS MANUAL FOR FUTURE REFERENCE

Minimum and maximum plate sizes

	Maximum height of dishes (upper basket)	Maximum height of dishes (lower basket)
With upper basket raised	19 cm	30 cm
With upper basket lowered	24 cm	25 cm

IMPORTANT: Care should be taken to make sure that the spray arms can move freely when items have been loaded into the baskets.



You will be mine ...

United Kingdom

Baumatic Ltd.,
Baumatic Buildings,
6 Bennet Road,
Reading, Berkshire
RG2 0QX
United Kingdom

Sales Telephone

(0118) 933 6900

Sales Fax

(0118) 931 0035

Service Telephone

(0118) 933 6911

Service Fax

(0118) 986 9124

Spares Telephone

(01235) 437244

Technical Advice Telephone

(0118) 933 6933

E-mail:

sales@baumatic.co.uk
technical@baumatic.co.uk

Website:

www.baumatic.co.uk

Republic of Ireland

01- 6266 798

Czech Republic

Baumatic CR spol s.r.o.
Amperova 495
46215, Librec
Czech Republic

+420 800 185 263

www.baumatic.cz

Slovak Republic

Baumatic Slovakia, s.r.o.
Skultetyho 1
831 04 Bratislava 3
Slovakia

+421 255 640 618

Germany

Baumatic GmbH
Janderstrasse 9
Mannheim, 68199
Germany

+4962 112 9190

www.baumatic.de

Italy

Baumatic Italia S.R.L.
Via Caltana 129
Campodarsego (Padova), 35011
Italy

+3904 9920 2297

www.baumatic.it

Holland


Baumatic Benelux B.V.
Grindzuigerstraat 22
1333 MS ALMERE
The Netherlands

+3136 549 1555

www.baumatic.nl

Environmental note

This appliance is marked according to the European directive 2002/96/EC on Waste electrical and Electronic Equipment (WEEE). By ensuring this product is disposed of correctly, you will help prevent potential negative consequences for the environment and human health, which could otherwise be caused by inappropriate waste handling of this product.

The symbol  on the product, or on the documents accompanying the product, indicates that this appliance may not be treated as household waste. Instead it shall be handed over to the applicable collection point for the recycling of electrical and electronic equipment.

Disposal must be carried out in accordance with local environmental regulations for waste disposal.

For more detailed information about treatment, recovery and recycling of this product, please contact your local city office, your household waste disposal service or the shop where you purchased the product.



- The packaging materials that Baumatic uses are environmentally friendly and can be recycled.
- Please discard all packaging material with due regard for the environment.

