

For support, please contact Bayan Audio via the website at:
www.bayanaudio.com
Or email support at: support@bayanaudio.com

Pour toute assistance, veuillez contacter Bayan Audio via le site Internet
du Groupe : www.bayanaudio.com
Ou envoyez un courriel à l'adresse : support@bayanaudio.com

Für Supportanfragen kontaktieren Sie bitte Bayan Audio über die Website:
www.bayanaudio.de
oder senden Sie eine E-Mail an: support@bayanaudio.de

Para obtener soporte, por favor contacte con Bayan Audio a través
del sitio web: www.bayanaudio.com
O por correo electrónico a: support@bayanaudio.com

Para obter assistência, contacte a Bayan Audio através do seguinte
sítio Web: www.bayanaudio.com
Ou por correio eletrónico em: support@bayanaudio.com

Per richieste di assistenza si prega di contattare Bayan Audio tramite
il sito web: www.bayanaudio.com
o via e-mail all'indirizzo: support@bayanaudio.com

Voor hulp kunt u contact opnemen met Bayan Audio via de website:
www.bayanaudio.com
of een e-mail versturen naar: support@bayanaudio.com

Для получения технической поддержки свяжитесь с Bayan Audio
через сайт в Интернете: www.bayanaudio.com
или по электронной почте: support@bayanaudio.com

请通过如下网站联络Bayan Audio以获取帮助:
www.bayanaudio.com
或者邮件到: support@bayanaudio.com

Bayan Audio soundbook X3



FCC ID: ROF-SOUNDBOOKX3

©2013 Bayan Audio

Important Safety Instructions

1. Please read these instructions and then keep them safely for future reference
2. Heed all warnings and follow all instructions in this manual
3. Do not use this product near water, or where it may become wet
4. Only clean this product with a dry, lint free cloth
5. Do not block any vents, and only install in accordance with the manufacturers instructions
6. Do not use this product near to any heat sources such as radiators, heaters, cookers or other devices (including amplifiers) that produce heat
7. Protect all cables from damage by avoiding sharp objects, bending around tight corners, and from friction or crushing damage caused for example by walking on them
8. Use only attachments or accessories as specified by the manufacturer
9. Unplug this product during lightning storms or in prolonged periods of disuse

10. Refer all servicing to qualified persons. Servicing may be required when the product has been damaged in any way, does not operate normally or has been dropped
11. Do not install this product in a confined or built-in space such as a bookcase or similar unit.
12. **WARNING:** Please refer to the information on the safety labels on the product or it's power supply before installing or operating the device
13. **WARNING:** To reduce the risk of fire or electrical shock, do not expose this product to rain or moisture. The product should not be exposed to dripping or splashing and objects filled with liquids should not be placed on the product
14. **CAUTION: This product contains a Lithium battery. Incorrect disposal of this battery may result in explosion.**
15. The recommended operating temperature range for this product is 5 – 40 degrees Celsius.

FCC Regulations

1. This device complies with Part 15 of the FCC Rules. Operation is subject to the following two conditions:

- (1) This device may not cause harmful interference.
- (2) This device must accept any interference received, including interference that may cause undesired operation.

2. Changes or modifications not expressly approved by the party responsible for compliance could void the user's authority to operate the equipment.
NOTE: This equipment has been tested and found to comply with the limits for a Class B digital device, pursuant to Part 15 of the FCC Rules. These limits are designed to provide reasonable protection against harmful interference in a residential installation.

This equipment generates uses and can radiate radio frequency energy and, if not installed and used in accordance with the instructions, may cause harmful interference to radio communications. However, there is no


guarantee that interference will not occur in a particular installation. If this equipment does cause harmful interference to radio or television reception, which can be determined by turning the equipment off and on, the user is encouraged to try to correct the interference by one or more of the following measures:

- Reorient or relocate the receiving antenna.
- Increase the separation between the equipment and receiver.
- Connect the equipment into an outlet on a circuit different from that to which the receiver is connected.
- Consult the dealer or an experienced radio/TV technician for help.

FCC Radiation Exposure Statement:

This equipment complies with FCC radiation exposure requirement. The device can be used in portable exposure condition without RF striction

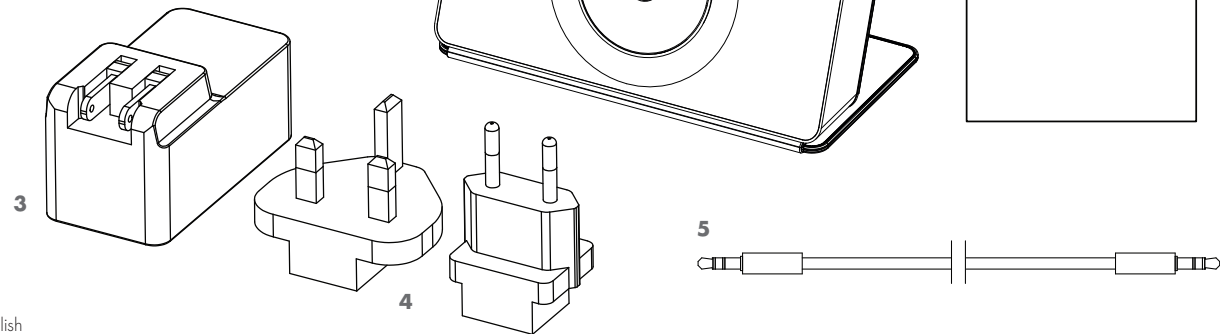
Recycling

 This product CAN be recycled. Products bearing this symbol must NOT be thrown away with normal household waste. At the end of the products life, take it to a collection point designated for recycling of electronic devices. Find out more about return and collection points through your local authority.

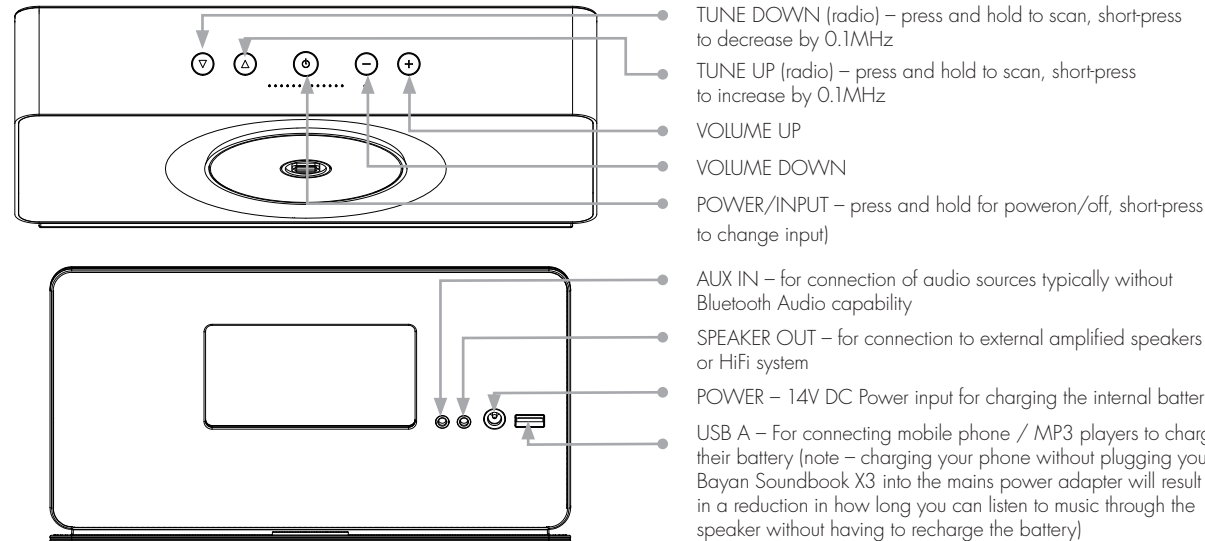
Getting Started

Check the box contents:

- 1 Bayan Audio Soundbook X3
- 2 This manual
- 3 Mains Power Charger
- 4 Country adapters for Mains Power Charger
- 5 3.5mm Stereo Audio cable



English



English

Charging the Battery

- Connect the mains power cable to your Soundbook X3.
- Plug the power adapter into a mains outlet.
- The first time you use your Soundbook X3, let it charge for 12 hours to ensure the built-in Lithium battery is properly conditioned.

When Soundbook X3 detects a low battery state it will display the word LOW on the front display.

Listening to Bluetooth Music:

- Turn on your Soundbook X3 (open the cover and if necessary press and hold the Power/input button until your Soundbook X3 turns on – it will remember the last selected input and go to this automatically).
- If necessary, change the input to BLUE (Bluetooth) – short-press the centre Power/input button to cycle through the inputs until the display shows BLUE

Connect by NFC – Automatic pairing



NFC

If your audio source supports NFC, you can use NFC Secure Simple Pairing to connect your phone to the Soundbook:¹

- Turn on your audio source and unlock the screen
- Ensure that NFC is enabled in the settings on your audio source
- Touch the back of your audio source to the back cover of your Soundbook X3 where the NFC logo is located – you will be asked to confirm that you wish to connect and pair with the Bayan Soundbook – select Yes/OK.
- You can disconnect by simply touching your audio source again to the back cover of your Soundbook X3.

Connect by Traditional Bluetooth Pairing



Bluetooth®

If your audio source does not support NFC but is Bluetooth enabled, you can use Bluetooth Secure Simple Pairing to connect and stream music:

- Consult your audio source user manual for instructions on how to pair with Bluetooth devices – generally you will need to go into your settings, Bluetooth, scan for new Bluetooth devices and select 'Bayan Soundbook' You will not be prompted for a passcode for pairing.

Note:

- For secure simple pairing to work, your MP3 /phone / tablet / laptop must be in close proximity to your Soundbook X3 when trying to pair (within a range of 1 metre)
- After pairing is successful, paired devices will remember each other – unless pairing information is deleted there is no need to carry out pairing again. Soundbook X3 can remember the last 4 audio sources that it was paired with
- Soundbook X3 will automatically connect to the last audio source it was connected to (if it is in range). If you want to connect to an alternate audio source, switch off Bluetooth on the current connected audio source, and then pair / connect with the alternate audio source according to the steps outlined above.

Note:

To achieve the best audio quality, ensure your MP3 recordings are sampled at a high bit rate (ideally 320kbps Stereo), and your source device supports aptX digital audio compression.

Bluetooth Status

The Soundbook X3 display additionally will show the current status of the Bluetooth connection. The Bluetooth status light (shown in the diagram) will flash when there is no Bluetooth audio source connected to the Bluetooth speaker, and will illuminate solid when a Bluetooth audio source is connected.

Note:

If you are trying to connect your audio source to your Soundbook X3 via Bluetooth and another device is already connected (e.g. the Bluetooth status light is illuminated solid), Soundbook X3 will reject your connection request – you must first disconnect the Bluetooth source that is already connected to your Soundbook X3.



Bluetooth Hands Free Calling

Soundbook X3 has an integrated microphone to enable you to make hands-free calls or use Soundbook X3 for conference calling as a speakerphone.

To make a call via Bluetooth, initiate the call from your mobile phone, and then on the phone, select Soundbook as the audio device for the call.

To answer a call via Bluetooth, accept the call from your mobile phone, and on the phone select Soundbook as the audio device for the call.

Connecting a source to the AUX input

Use the supplied 3.5mm stereo jack cable to connect the headphone output from your source device to the BLUE AUX input on the back of your Soundbook X3.

Select the AUX input by short-pressing the Power/input button until the display reads AUX (Auxiliary Input)

Controlling Volume for Bluetooth and AUX music playback:

- There are 2 volume controls available to adjust how loud your music is playing back – on the audio source itself, and on your Soundbook X3. You will not be able to get maximum volume unless the volume is turned up to maximum both on the audio source and your Soundbook X3.

Listening to FM Radio

Soundbook X3 has an integrated FM antenna located inside the cover/stand. In order to obtain a good FM radio signal it may be necessary to move your Soundbook X3 to an alternate location.

To listen to FM radio, short-press the Power/input button until the display shows FM (FM Radio Mode).

To tune the FM radio, either short press the TUNE UP/DOWN arrow keys to change the frequency in steps of 0.1MHz or press and hold to scan for the next station.

Soundbook X3 will remember the last tuned frequency when it is turned off for your convenience.

Charging a Phone / MP3 player from Soundbook X3

Using the USB cable supplied with your Phone / MP3 player you can charge your device from your Soundbook X3. Simply plug the cable into the back of your Soundbook X3. If you are using your Soundbook X3 on battery, or are away from the mains charger, your device will be charged from the internal battery on your Soundbook X3. If your Soundbook X3 is plugged in then your device will be charged from the mains and the capacity of the internal battery in your Soundbook X3 will be unaffected.

Troubleshooting

Soundbook X3 will not turn on

Ensure that the battery is charged – connect the mains power cable to the back of your Soundbook X3 and plug in. The charge indicator light will be ORANGE when Soundbook X3 is charging, and when fully charged will turn GREEN

I cannot hear any music

Ensure that the volume is turned up on both your source device (phone / mp3 player) and also on your Soundbook X3. Ensure that Soundbook X3 is switched to the correct input (AUX for cable connection, BLUE for Bluetooth music streaming). Ensure that your source device has the correct output selected (for Bluetooth, select the output as 'Bayan Soundbook')

I cannot pair my Bluetooth media player with my Soundbook X3

For secure simple pairing to function; your Bluetooth device needs to be in close proximity to your Soundbook X3 (nominally within 50cm). For NFC pairing to work, your source device (phone / mp3 player) needs to be turned on and the screen unlocked.

I cannot tune to any radio stations

Soundbook X3 uses an advanced integrated FM antenna. In certain circumstances (e.g. it is located indoors in the centre of a building, or is sitting on-top of an electrically noisy component) Soundbook X3 may not be able to tune to a radio station. Please try re-locating your Soundbook X3 to another position – normally close to a window will work well.

Specifications

Bluetooth Version: 4.0 (can pair with devices back to Bluetooth version 2.1)

Profile: A2DP, HFP

aptX high quality audio: yes

NFC Secure Simple Pairing for Bluetooth: yes

Effective Range: 10m (30 feet)

Dimensions: 240 x 120 x 40 mm

Weight: 1400 g

¹Note: Apple devices up to and including the iPhone 5 do not currently support NFC.