

BTC 3000 REMOTE CONTROLLER

User' s Guide

VERSION : 1.0

Federal Communications Commission (FCC) Statement

This Equipment has been tested and found to comply with the limits for a class B digital device, pursuant to Part 15 of the FCC rules. These limits are designed to provide reasonable protection against harmful interference in a residential installation. This equipment generates, uses and can radiate radio frequency energy and, if not installed and used in accordance with the instructions, may cause harmful interference to radio communications. However, there is no guarantee that interference will not occur in a particular installation. If this equipment does cause harmful interference to radio or television reception, which can be determined by turning the equipment off and on, the user is encouraged to try to correct the interference by one or more of the following measures:

- Reorient or relocate the receiving antenna.
- Increase the separation between the equipment and receiver.
- Connect the equipment into an outlet on a circuit different from that to which the receiver is connected.
- Consult the dealer or an experienced radio/TV technician for help.

Warning:

You are cautioned that changes or modifications not expressly approved by the party responsible for compliance could void your authority to operate the equipment.

This device complies with Part 15 of the FCC rules. Operation is subject to the following two conditions:
(1) This device may not cause harmful interference &
(2) This device must accept any interference received, including interference that may cause undesired operation.

Table of Contents

- 1. PURPOSE.....1**
- 1.1 General Description 1
- 2. GENERAL SPECIFICATIONS.....2**
- 2.1 Operation Temperature Range.....2
- 2.2 Operation Humidity Range.....2
- 2.3 Material Parts & UL Number2
- 3 LAYOUT3**
- 4 BLOCK DIAGRAM.....4**

1. PURPOSE

The following specifications is applied to this remote controller.

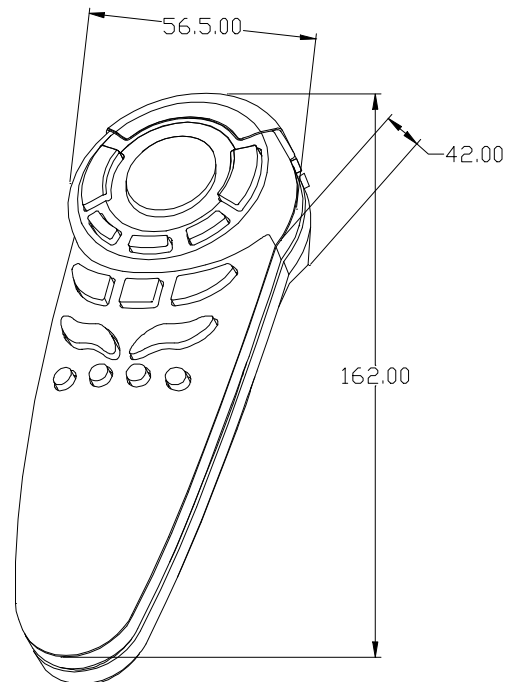
1.1 General Description

Length: 162 mm.

Width: 56.5 mm.

Height: 42 mm.

Weight: 86 g.



2. GENERAL SPECIFICATIONS

2.1 Operation Temperature Range

Operation Temperature Range : 0°C ~ 45°C
 Storage Temperature Range : -20°C ~ 60°C

2.2 Operation Humidity Range

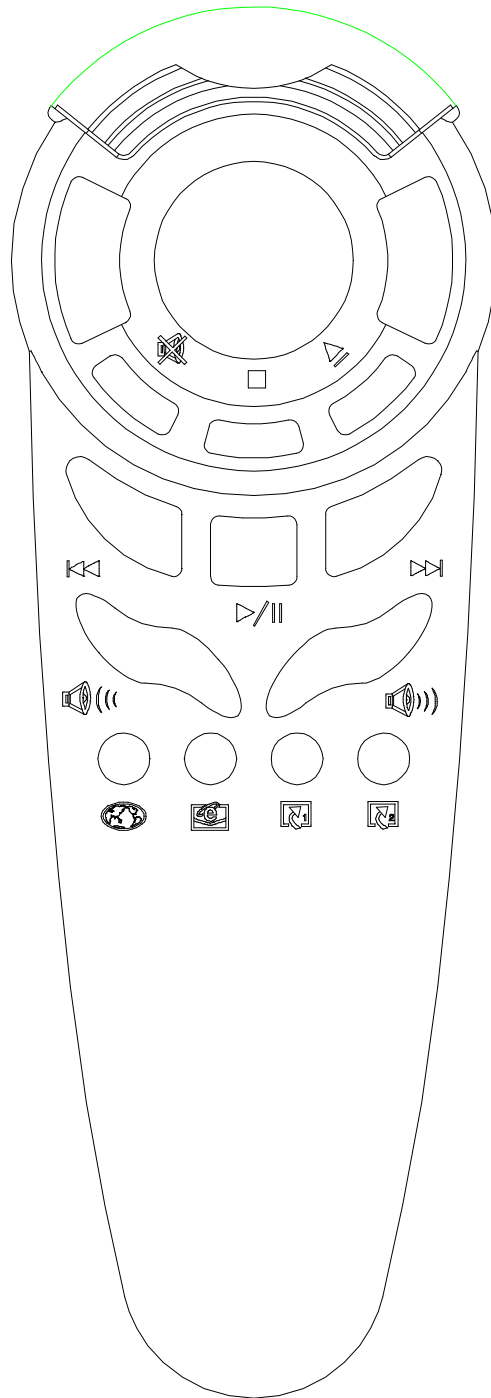
Operation Humidity Range : 20% ~ 90%
 Storage Humidity Range : 90%RH or less (Non-Condensing)

2.3 Material Parts & UL Number

Component	Material	Type of Material	Flame Class	UL No.	Manufacturer of Material
Enclosure & Base cover	HIPS	PH-88	94HB	E56070	Chi Mei Industrial Co., Ltd.
	HIPS	HR-1360+	94HB	E115797	Cheil Industries Inc.
	HIPS	350	94HB	E115332A	Gppc Chemical Corp.
Battery Cover	HIPS	PH-88	94HB	E56070	Chi Mei Industrial Co., Ltd.
	HIPS	HR-1360+	94HB	E115797	Cheil Industries Inc.
	HIPS	350	94HB	E115332A	Gppc Chemical Corp.
LED Cover	PC	PCVM-112	94V2	E118859	Mobay Corp.
	PC	8B35	94V2	E61257	General Electric.
Rubber Dome	Silicone	DY35-840	94HB	E55519	Dow Ccooling Trray Silicon Co., Ltd.
	Silicone	KE-951	94HB	E48923	Shin-Etsu Chemical Co., Ltd.
P.C.B	XPC	ETL-601	94HB	E95862	Eternal Chemical Co., Ltd.
Connector Socket (Wafer)	Nylon 66	A3K	94V2	E41871	Basf Aktiengesellschaft
	Nylon 66	JP2411	94V2	E127691	Just Make Terminal & Machine Co., Ltd.

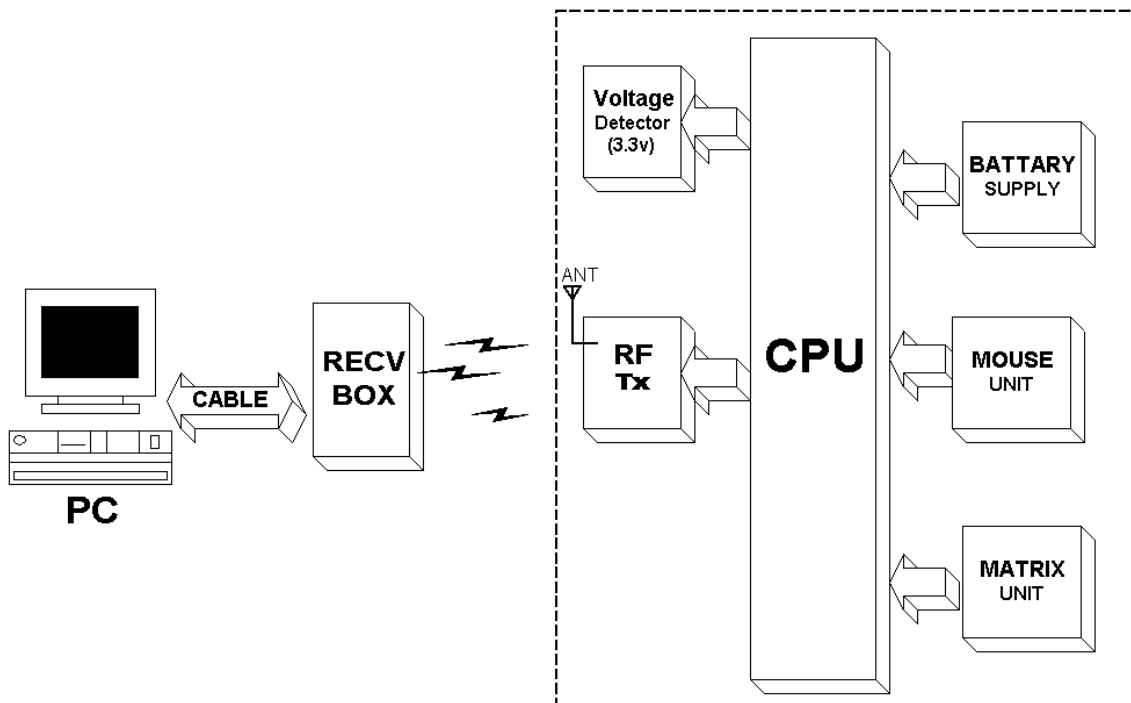
3 LAYOUT

3000 LAYOUT



4 BLOCK DIAGRAM

Keyboard



Receiver

