

GENERAL MANUAL

1 SPECIFICATIONS

- ◆ One channel, 4095ID
- ◆ Cordless Technology: Radio frequency
- ◆ Frequency: Keyboard 27.145MHz
Mouse 27.045MHz
- ◆ Unmodulation: Keyboard take out R16
Mouse take out L8
- ◆ Keyboard output power: 0.125mV@3m
- ◆ Mouse output power: 0.026mV@3m
- ◆ Cable: USB connector
- ◆ Cable Length: 1850mm

2 KEYBOARD

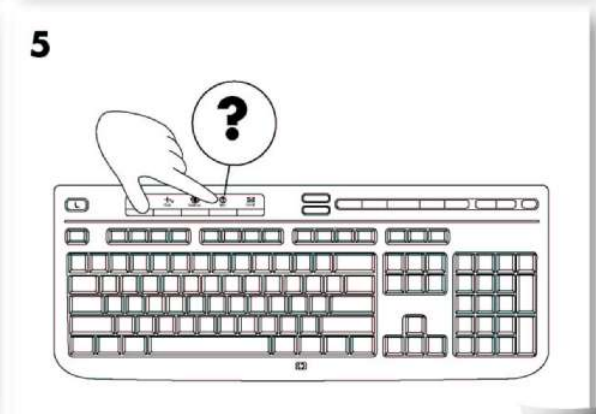
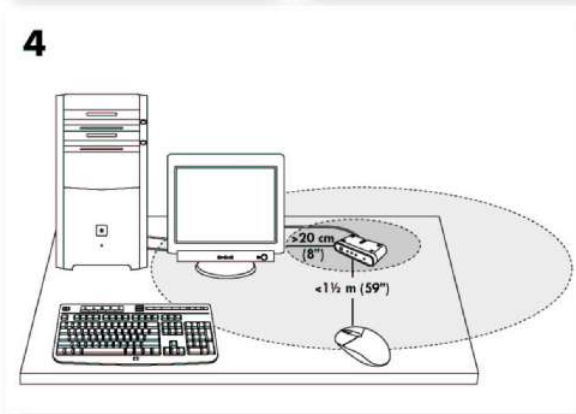
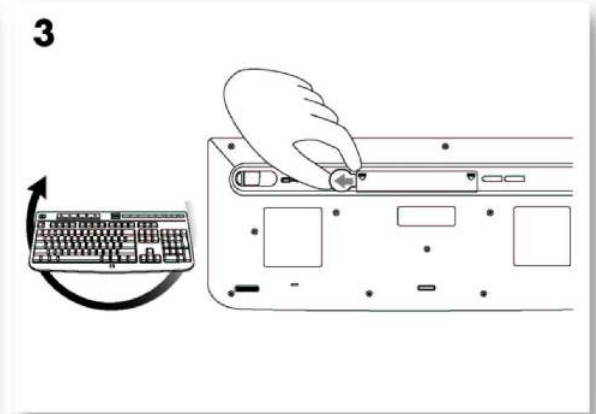
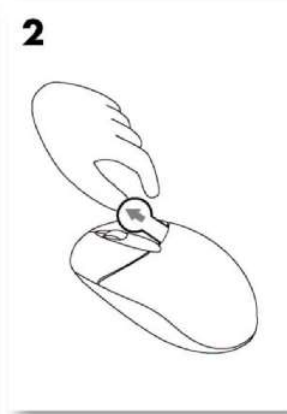
- ◆ Effective distance: 27MHz: 2M ± 0.2M
- ◆ Battery life: ≒ 7.5 months (4hrs/day)
- ◆ Input power: 3Vdc (2 x AA alkaline)
- ◆ Rated output power level (Max): -16dbm
- ◆ Switch activation mechanism: membrane
- ◆ Travel distance: 3.85 ± 0.5mm
- ◆ Peak load before make (normal key): 55 ± 20g
- ◆ Dimension: 464 (L) x 187 (W) x 43 (H) mm
- ◆ Weight (including batteries): 0.82kg

3 MOUSE

- ◆ Effective distance: 27MHz: 1.5M ± 0.2M
- ◆ Battery life: 1.3 months (4hrs/day)
- ◆ Input power: 3Vdc (2 x AA alkaline)
- ◆ Rated output power level (Max): -16dbm
- ◆ Buttons: 2 buttons, scroll button (3-button Type)
- ◆ Tracking: Optical sensor
- ◆ Resolution: 800 DPI
- ◆ Tracking speed: 5 inch/sec
- ◆ Accuracy: 10%
- ◆ Dimension: 119.64 (L) x 64.08 (W) x 40.29 (H) mm
- ◆ Weight (including batteries): 0.09kg

4 SYSTEM REQUIREMENTS

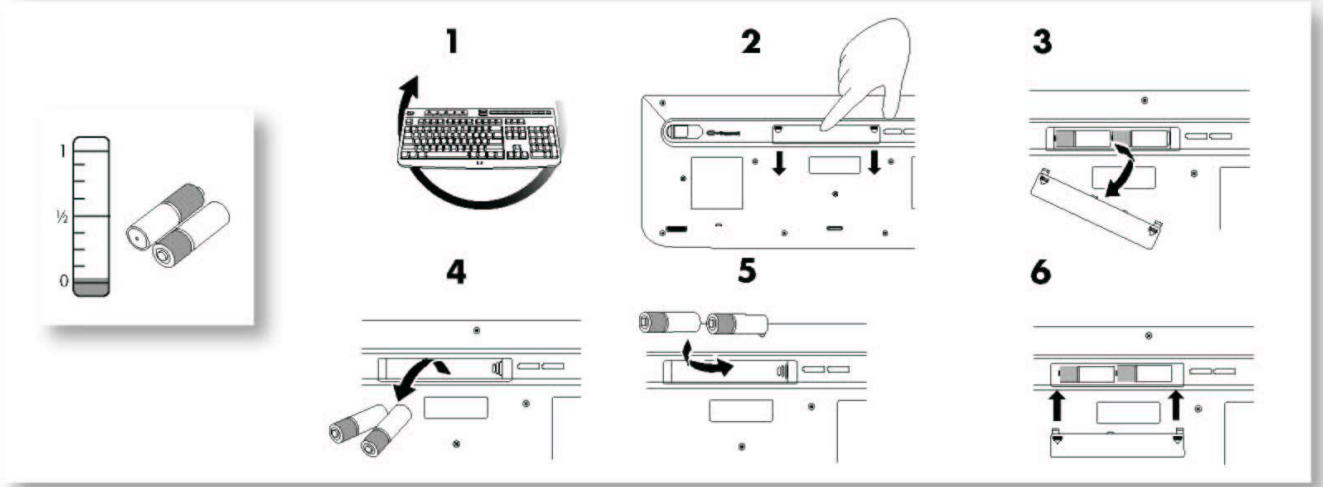
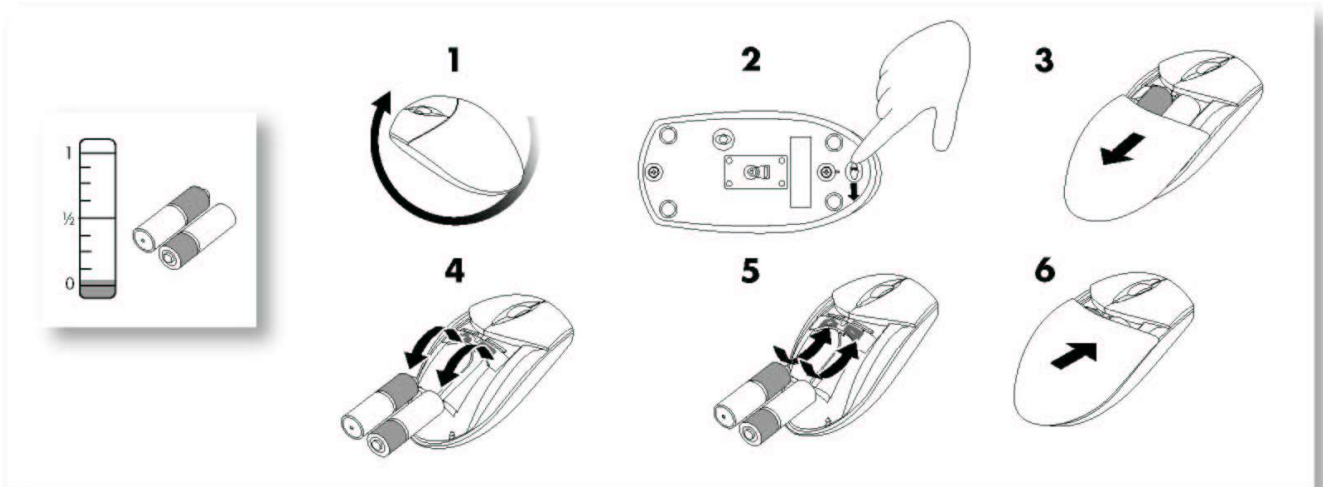
- ◆ IBM PC or compatible
- ◆ Available USB port.
- ◆ CD-ROM drive or DVD drive
- ◆ Microsoft® Windows® 98, Windows® ME, Windows® 2000 or Windows® XP operating system



3100506651
© 2005 Hewlett-Packard Development Company, L.P.
Printed in China

CONFIDENTIAL

Confidential



GO ✓

Confidential

FCC GUIDELINES

This equipment has been tested and found to comply with the limits for a Class B digital device, pursuant to Part 15 of the FCC Rules. These limits are designed to provide reasonable protection against harmful interference in a residential installation. This equipment generates, uses and can radiate radio frequency energy and, if not installed and used in accordance with the instructions may cause harmful interference to radio communications. However, there is no guarantee that interference will not occur in a particular installation. If this equipment does cause harmful interference to radio or television reception, which can be determined by turning the equipment off and on, the user is encouraged to try to correct the interference by one or more of the following measures:

- Reorient or relocate the receiving antenna
- Increase the separation between the equipment and receiver
- Connect the equipment into an outlet on a circuit different from that to which the receiver is connected.
- Consult the dealer or an experienced radio/TV technician for help.

The Class B digital apparatus meets all requirements of the Canadian Interference-Causing Equipment Regulation.

Cet appareil numérique de la class B respecte toutes les exigences du Règlement sur le matériel brouilleur du Canada.

This device complies with Part 15 of the FCC Rules. Operation is subject to the following two conditions: (1) This device may not cause harmful interference. (2) This device must accept any interference received, including interference that may cause undesired operation.

This equipment is intended for use in the following countries EU 15 countries: Austria, Belgium, Denmark, Finland, France, Germany, Ireland, Italy, Luxembourg, Netherlands, Spain, Sweden, United Kingdom, Portugal, Greece. And other non-EU countries: Switzerland, Norway, and Iceland.

低功率電波輻射性電機管理辦法：

第十二條：經型式認證合格之低功率射頻電機，非經許可，公司、商號或使用者均不得擅自變更頻率、加大功率或變更原設計之特性及功能。

第十四條：低功率射頻電機之使用不得影響飛航安全及干擾合法通信；經發現有干擾現象時，應立即停用，並改善至無干擾時方得繼續使用。

前項合法通信，指依電信法規定作業之無線電信。

低功率射頻電機需忍受合法通信或工業、科學及醫療用電波輻射性電機設備之干擾。

Caution:

Any changes or modifications not expressly approved by the party responsible for compliance could void the user's authority to operate this equipment. Shielded interface cable, if any, must be used in order to comply with emission limits.

The information in this document is subject to change without notice and does not represent a commitment on the part of the vendor.

No warranty of representation, either expressed or implied, is made with respect to the quality, accuracy or fitness for any particular purpose of this document. The manufacturer reserves the right to make changes to the content of this document and/or the products associated with it at any time without obligation to notify any person or organisation of such changes.

In no event will the manufacturer be liable for direct, indirect, special, incidental or consequential damages arising out of the use or inability to use this product or documentation, even if advised of the possibility of such damages.

Copyright © 2003. All rights reserved

IBM, PC/AT and PS/2 are registered trademarks of International Business Machines Corporation.

Microsoft, Windows, and Windows NT are registered trademarks of Microsoft Corporation in the United States of America and/or other countries.

All other trademarks are trademarks of their respective holders.