

W150W USER MANUAL

SPECIFICATION

1. Power source:24V/AC(18~30V).
2. Static current ≤ 13 MA/AC24V
3. Backlight current ≤ 23 MA/AC24V
4. Blue backlight
5. Backlight brightness: 15—55 LUX
6. Modulation mode: ASK
7. Frequency:916MHz
8. Transmission distance: 120 meter

OPERATION

1. Connect it to power, LCD will show full display. Repeater stays in transmission mode (this is TX testing mode). Press key once and reference number will display, it enters into receiving mode (this is RX testing mode).
2. Press the key to select reference number (1- 4), blue back light turn on. Without further pressing on key, the number will flash 5 seconds and stop flashing. Blue backlight will turn on in 15 seconds without key pressing.
3. When W150W received signal from TX, symbol will flash 3 times, then red LED flash, LCD display symbol 6 times, it means W150W has been transmitted the received data.
4. Repeat models with reference number.

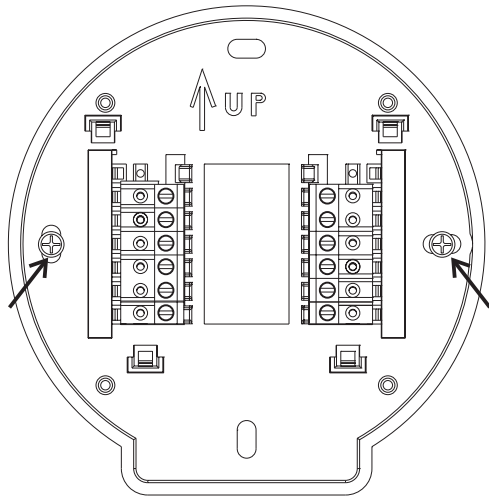
Reference Number	Repeat models
1	Z270W, Z260W.
2	R250W, ZDA250W, R251W, Z251W.
3	B270W, B270WH.
4	W160W

FCC ID UX2W150W

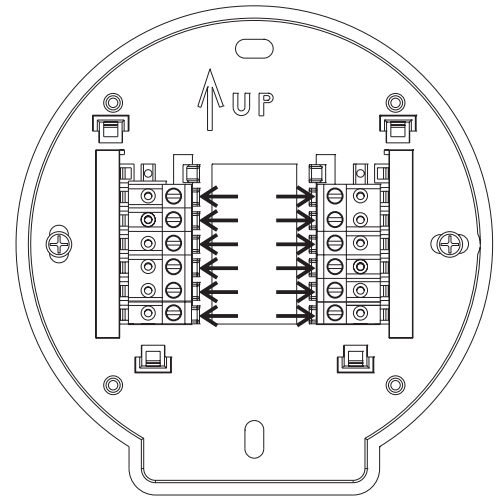
This device complies with Part 15 of the FCC Rules. Operation is subject to the following two conditions: (1) this device may not cause harmful interference, and (2) this device must accept any interference received, including interference that may cause undesired operation.

NOTE:THE MANUFACTURER IS NOT RESPONSIBLE FOR ANY RADIO OR TV INTERFERENCE CAUSED BY UNAUTHORIZED MODIFICATIONS TO THIS EQUIPMENT. SUCH MODIFICATIONS COULD VOID THE USER'S AUTHORITY TO OPERATE THE EQUIPMENT.

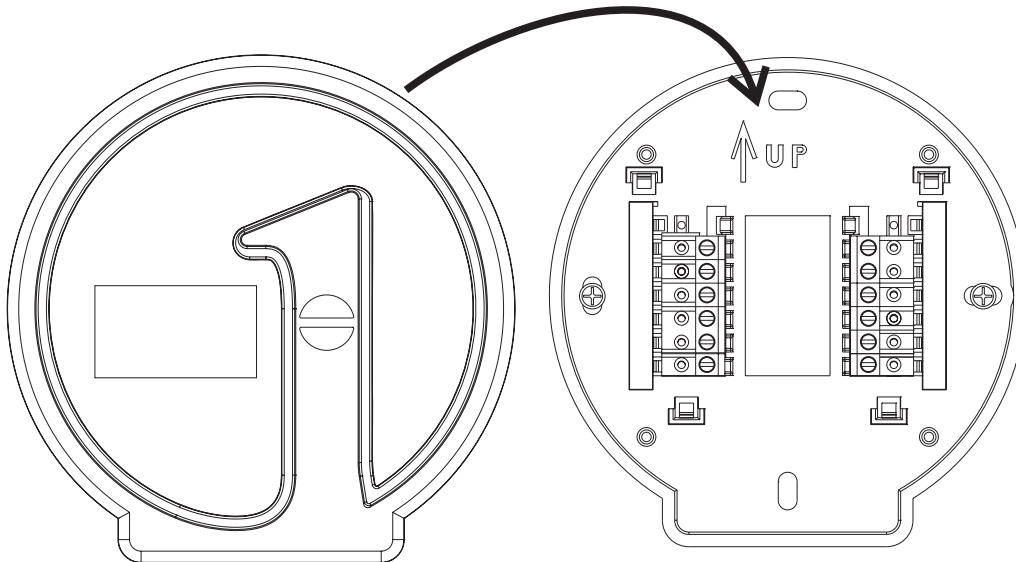
W150W INSTALLATION GUIDE



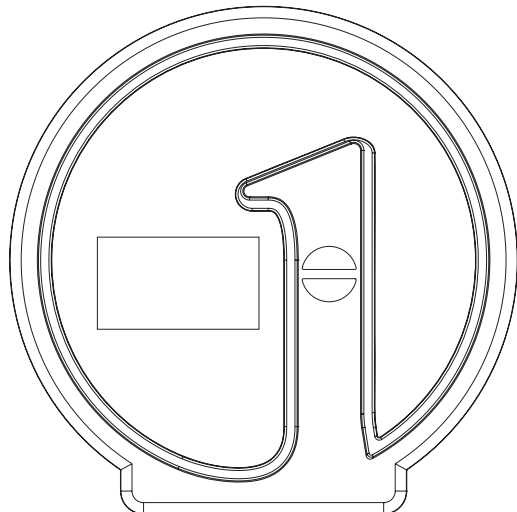
1. Fix the bottom panel on the wall with screw



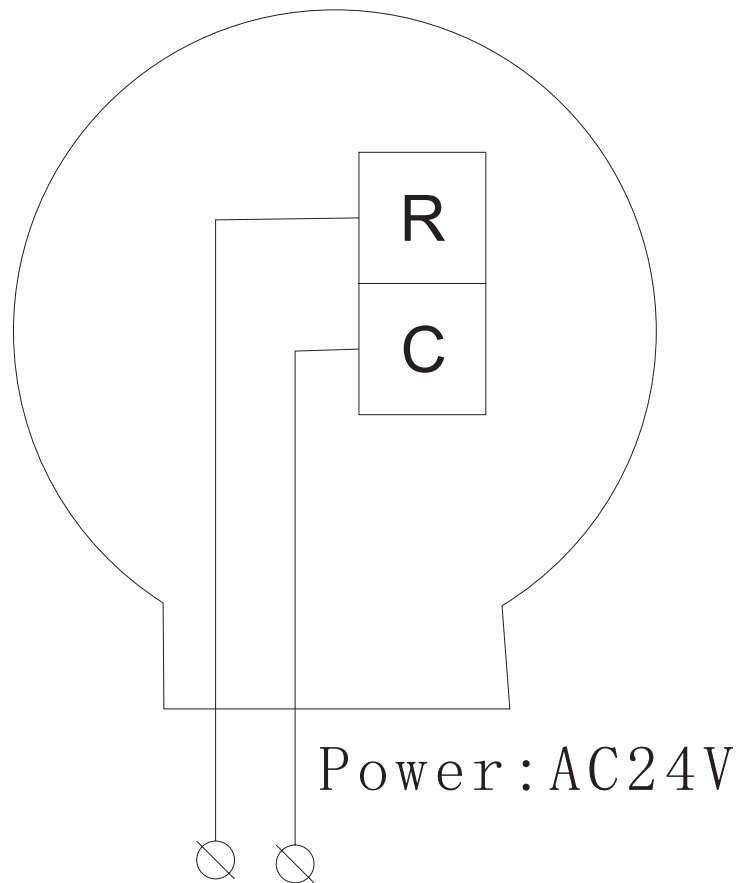
2. Connect all wires properly.



3. Install the product on the bottom panel.



4. Installation completion;



- The control is for installed by expert technician and in accordance with the writing diagram,during installation the application electrical safety regulation and the local electricity supply company regulations must be observed
- Not to be exposed to dripping or splashing
- For installation,no metal conduit or of cable provided with a metal sheath
- The thermostat must be mounted on clean,dry indoor place
- The unit is for fixed wiring conductors with current carried by terminal up 1A
- Disconnect from supply before open
- Recommend to add fuse of 6A in the line circuit
- The size of wire connect to the terminal is to 1.5mm²

- The thermostat must be placed in circuits of over-voltage category 1 with a maximum working voltage not exceeding 24VAC.those places are:
 - 1) the secondary side if transformer
 - 2) 2)protected circuits
 - 3) The curent should not exceed:1A
 - 4) Symbol indicating separate collextion for electrical and electronic equipment.



You can help protect the environment!
Please remember to respect the local regulations: hand in the non-working electrical equipments to an appropriate waste disposal center.