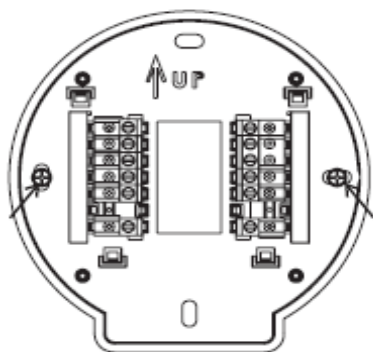
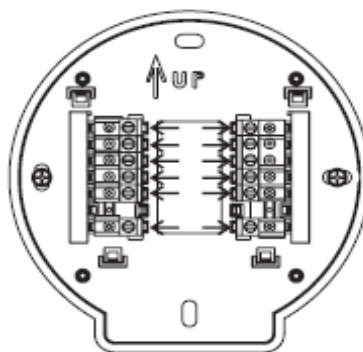


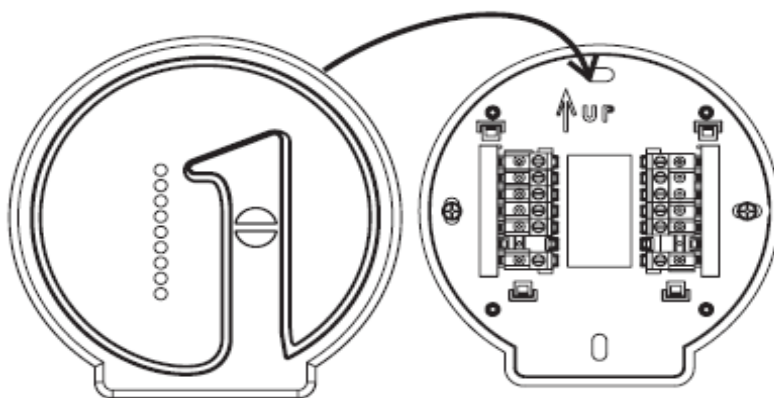
WW160W INSTALLATION GUIDE



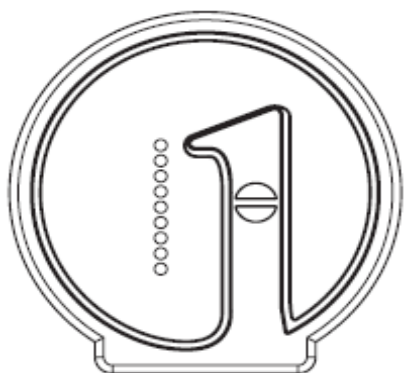
1. Fix the bottom panel on the wall with screw



2. Connect all wires properly




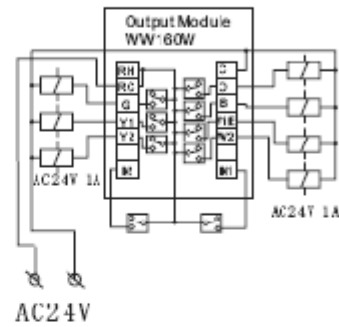
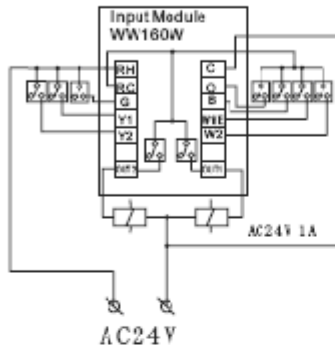
3. Install the product on the bottom panel.



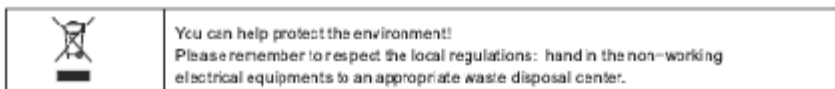
4. Installation completion;

WW160W

 **LOADING: MAX**
24VAC-50Hz 1A



- The control is for installed by expert technician and in accordance with the wiring diagram, during installation the application electrical safety regulation and the local electricity supply company regulations must be observed
- Not to be exposed to dripping or splashing
- For installation, no metal conduit or of cable provided with a metal sheath
- The thermostat must be mounted on clean, dry indoor place
- The unit is for fixed wiring conductors with current carried by terminal up to 1A
- Disconnect from supply before open
- Recommend to add fuse of 1A in the line circuit
- The size of wire connect to the terminal is to 1.5mm²
- The thermostat must be placed in circuits of over-voltage category 1 with a maximum working voltage not exceeding 24VAC, those places are:
 - 1) the secondary side of transformer
 - 2) protected circuits
 - 3) The current should not exceed 1A
 - 4) Symbol indicating separate collection for electrical and electronic equipment.



Caution: Any changes or modifications to this device not explicitly approved by manufacturer could void your authority to operate this equipment.

This device complies with part 15 of the FCC Rules. Operation is subject to the following two conditions:
(1) This device may not cause harmful interference, and (2) this device must accept any interference received, including interference that may cause undesired operation.