

Inlet Check Valve

The inlet check valve may be used on naturally aspirated compressors to prevent oil misting during the unloaded cycle. **Do Not** use the inlet check valve if the compressor inlet is connected to the pressure side of the supercharger or turbocharger.

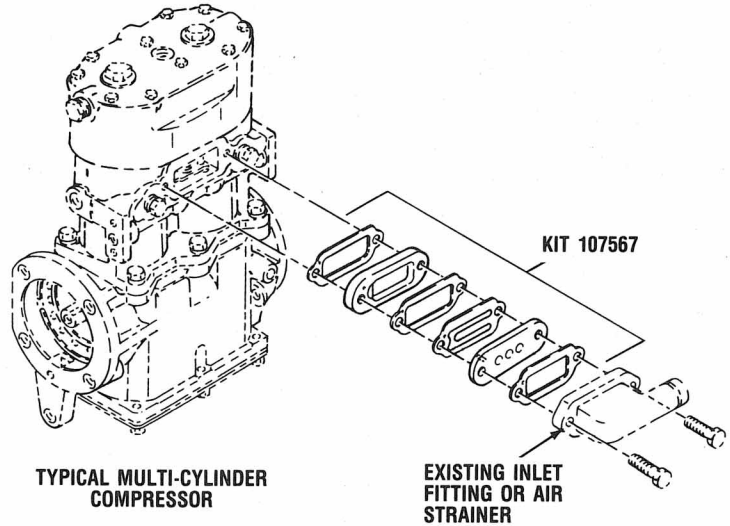
Important

Installation of the inlet check valve assembly **must** be as shown in all illustrations.

VMRS - 13-009-007
Device Code 3408

Applications & Kits

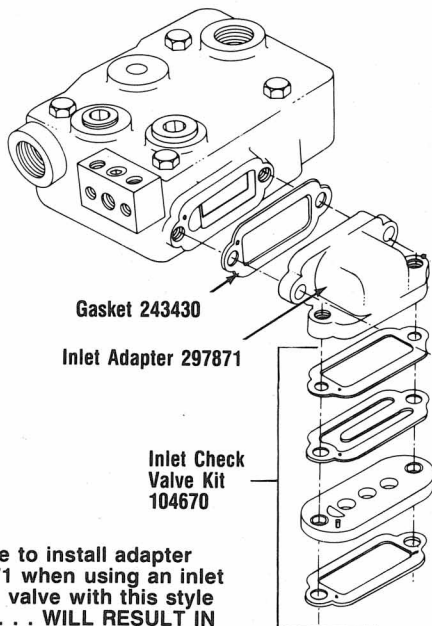
Comp. Model	Kit	Comments
TF 300	—	Not available for TF300
TF400	107567	
BX2150	See Illustration & Notes Below	
500	107567	
501	107567	
550	107567	
700	107567	
750	107567	
1000	107567	Two kits required
1400	107567	Two kits required



BX-2150 Cylinder Heads

Old Style

**Kit 104670
Adapter 297871 REQUIRED**



New Style

Kit 104670 Adapter NOT REQUIRED

