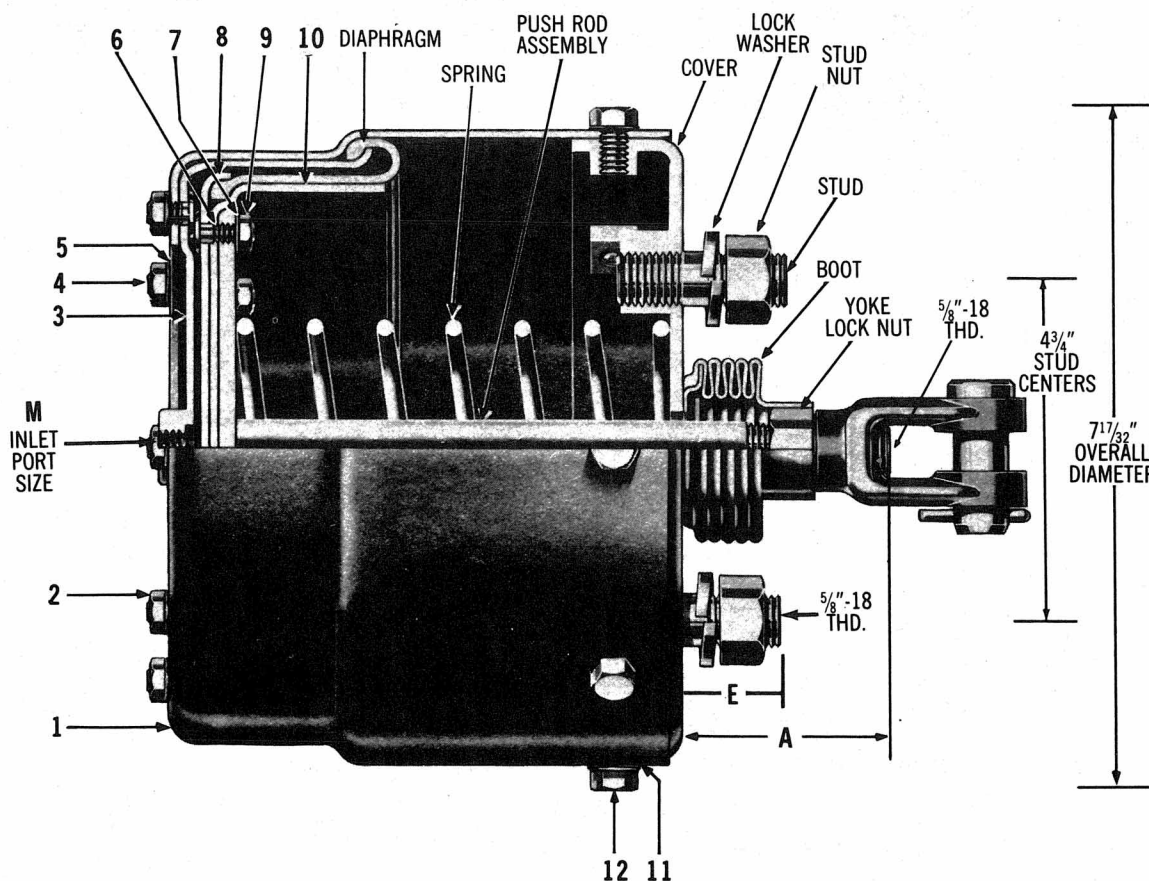


**TYPE 30 SERVICE ROTOCHAMBERS  
3 INCH STROKE**

A Rotochamber is an actuator which converts the energy of air pressure into a mechanical force. The various sizes available provide a wide range of output forces. The rolling type diaphragm provides long life and gives a constant output force throughout the entire stroke.

For further information regarding installation and maintenance, consult Instruction & Service Data Sheet SD-9.



EFFECTIVE DIAPHRAGM AREA — 30 SQUARE INCHES

No.	Pc. No.	Quan.	Description	No.	Pc. No.	Quan.	Description
1	231542	1	Body	7	202981	8	Lock Washer
2	203145	8	Nut	8	222262	1	Inner Diaphragm Clamp
3	222264	1	Outer Diaphragm Clamp	9	203147	8	Nut
4	231512	8	Bolt	10	231545	1	Diaphragm Guide
5	202982	8	Lock Washer	11	201318	8	Lock Washer
6	231474	8	Bolt	12	214858	8	Cap Screw

SEE SCHEDULE OF SERVICE PC. NO'S. AND  
CONVERSION LIST ON BACK OF PAGE.

ROTOCHAMBERS NOT AVAILABLE IN  
REMANUFACTURED EXCHANGE.

SEE OTHER SIDE

**TYPE 30 SERVICE ROTOCHAMBERS  
3 INCH STROKE**

TYPE 30 SERVICE ROTOCHAMBER PC. NO.	PUSH ROD ASSEMBLY PC. NO.	YOKE LOCK NUT PC. NO.	STUD (2 REQ'D.) PC. NO.	STUD NUT (2 REQ'D.) PC. NO.	LOCK WASHER PC. NO.	SPRING PC. NO.	COVER COMPLETE PC. NO.	DIAPHRAGM PC. NO.	A PUSH ROD TO COVER (INCHES)	E STUD END TO COVER (INCHES)	M INLET PORT SIZE	FEATURES
C 224178	222710	204781	212360	204781	202986	231549	222265	231543	2 <sup>5</sup> / <sub>16</sub>	2 <sup>5</sup> / <sub>16</sub>	1/4" NPT	LONG MTG. BOLTS
A 283944	284890	NONE	NONE	NONE	NONE	248390	223335	231543	4 <sup>1</sup> / <sub>4</sub>	—	1/2"	HVY. SPRING LARGE INLET
DB 288024	223210	235420	231844	204781	202986	231549	225590	231543	10 <sup>1</sup> / <sub>16</sub>	1 <sup>3</sup> / <sub>8</sub> & 1 <sup>5</sup> / <sub>8</sub>	3/8"	WEATHERPROOF LARGE INLET
288829	288830	204781	230675	204781	202986	231549	222265	231543	11 <sup>1</sup> / <sub>16</sub>	1 <sup>9</sup> / <sub>16</sub>	1/4"	STD. UNIT
288831	288830	204781	230675	204781	202986	231549	222265	236529	11 <sup>1</sup> / <sub>16</sub>	1 <sup>9</sup> / <sub>16</sub>	1/4"	NEOPRENE DIAPH.

A-SUBSTITUTE OUTER DIAPHRAGM CLAMP, 281417 FOR ITEM 3 (1/2" P.T. INLET)  
 B-SUBSTITUTE OUTER DIAPHRAGM CLAMP, 275872 FOR ITEM 3 (3/8" P.T. INLET) ADD SPRING GUIDE, 245413 & GROMMET, 235678.  
 C-INCLUDES YOKE ASSY. 228790.  
 D-INCLUDES YOKE ASSY. 225591.

NOTE: ALL SERVICE ROTOCHAMBERS ARE FURNISHED WITH LONG THREADED PUSH ROD, LESS YOKE.

**TYPE 30 SERVICE ROTOCHAMBERS  
CONVERSION LIST**

ORIG. EQUIP. PC. NO.	SERVICE REPLACEMENT	
	ROTO-CHAMBER PC. NO.	YOKE ASSY. PC. NO.
222261	288829	228798
222578	288829	228798
222709	288829	228798
223112	288829	228790
223209	288829	228798
223308	288829	228790
224178	224178	228790
224233	224178	228790
224646	288829	228798
225908	288829	228790
226712	288829	228798
229052	288831	229496

ORIG. EQUIP. PC. NO.	SERVICE REPLACEMENT	
	ROTO-CHAMBER PC. NO.	YOKE ASSY. PC. NO.
* 229819	288829	NONE
275736	288839	239151
276770	288831	229496
283060	288829	228798
283407	288831	NONE
284898	288831	NONE
283944	283944	NONE
285576	288829	228798
286783	288831	NONE
288024	288024	225591
288040	288829	NONE

\* ONLY PC. NO. 229819 AVAILABLE IN REMANUFACTURED EXCHANGE