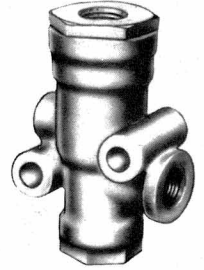
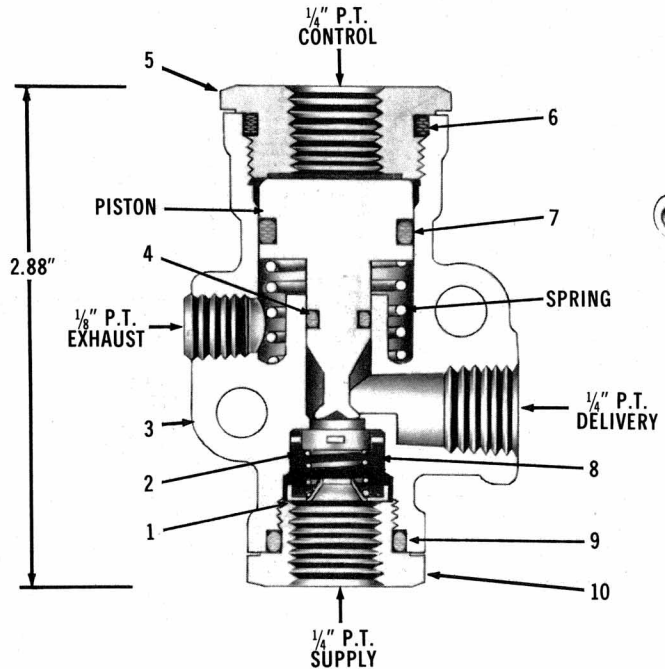


TYPE SS-1 SHUT OFF-VALVE

The SS-1 Shut-off valve is an air operated on-off valve and is non-exhausting. The valve may be remotely mounted and opened and closed using air pressure. The SS-1 is similar in operation to an air starter valve except that it is lower in capacity.

WEIGHT - .562 lbs.
VMRS NO. 13-010-016
DEVICE CODE IS 4010



COMMON SERVICE PARTS			
NO.	PC. NO.	QUAN.	DESCRIPTION
1	243646	1	VALVE STOP
2	249534	1	VALVE
3	243641	1	BODY
4	240542	1	GROMMET, 3/8" O.D.
5	243644	1	CAP NUT
6	234045	1	GROMMET, 1 1/16" O.D.
7	235063	1	GROMMET, 7/8" O.D.
8	241205	1	VALVE SPRING
9	214747	1	GROMMET, 1 3/16" O.D.
10	202620	1	CAP

SUB ASSY. AND DETAIL REFERENCE

SS-1 SHUT OFF VALVE PC. NO.	FOR SERVICE USE PC. NO.	SPRING PC. NO.	PIPE PLUG PC. NO.	PORT DESIGNATIONS				A P.S.I. APPROX.	B P.S.I. APPROX.
				P 1	P 2	P 3	P 4		
278824	278824	243642	NONE	CONTROL	VENT	SUPPLY	DELIVERY	42	31
279163	279163	243956	210050	EMERGENCY RESERVOIR	VENT	AUXILIARY DIAPHRAGM	HAND BRAKE DELIVERY	65	53
A284181	284181	243642	NONE	CONTROL	VENT	SUPPLY	DELIVERY	42	31

SS-1 NOT AVAILABLE IN REMFR. EXCH.

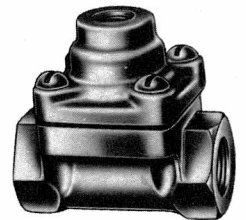
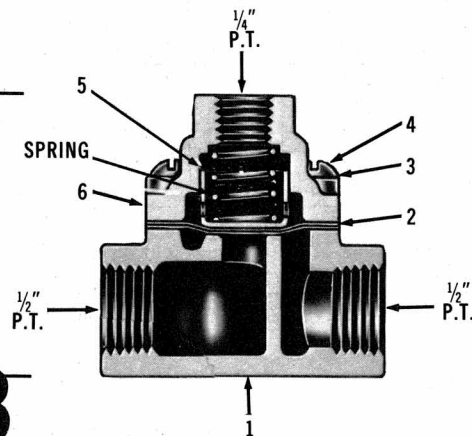
A — ADD CHECK VALVE, 284352 IN P 2.

WITH COMMON PRESSURE AT PORTS 1 & P 3 INLET OPENS AT A P.S.I. & CLOSES AT B P.S.I.

SUB ASSY. AND DETAIL REFERENCE

SS-2 CUT-OFF VALVE PC. NO.	FOR SERVICE USE PC. NO.	SPRING PC. NO.
226298	226298	235332
228970	228970	NONE
286513	286513	31183

CUT-OFF VALVE TYPE SS-2



COMMON SERVICE PARTS			
NO.	PC. NO.	QUAN.	DESCRIPTION
1	2364	1	BODY
2	236850	1	DIAPHRAGM
3	202678	1	WASHER
4	245543	4	MACHINE SCREW
5	360	1	SPRING PLATE
6	360	1	COVER

SS-2 NOT AVAILABLE IN REMFR. EXCH.

VMRS NO. 13-010-016

OBsolete REFERENCE ONLY FEB. 83

PRINTED IN U.S.A.