

RELAY EMERGENCY VALVE 229434

RE-4

CATALOG
03-B-6

Relay Emergency Valves are generally used on converter "dollies", Pre-1975 trailers and on some off highway equipment. Like the relay valve, the relay emergency valve is a high capacity, air operated, graduating, directional control valve. In addition to its relay function, it incorporates an emergency feature which automatically applies the service brakes in the event that supply air pressure is lost.

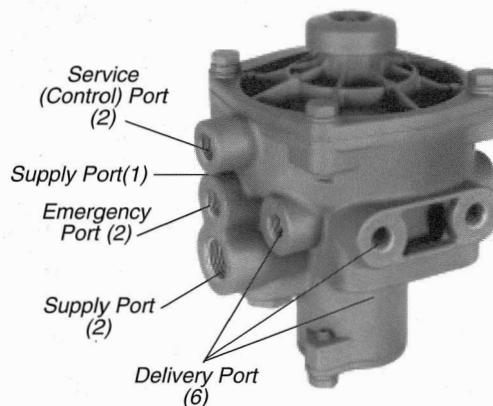
The two RE-4 valves differ only in body style and will easily interchange with each other as well as competitive valves. Both RE-4 valves will interchange with the newer RE-6 as well.

Either RE-4 can be nipple or flange mounted directly on a reservoir or remote mounted to a frame rail or cross member.

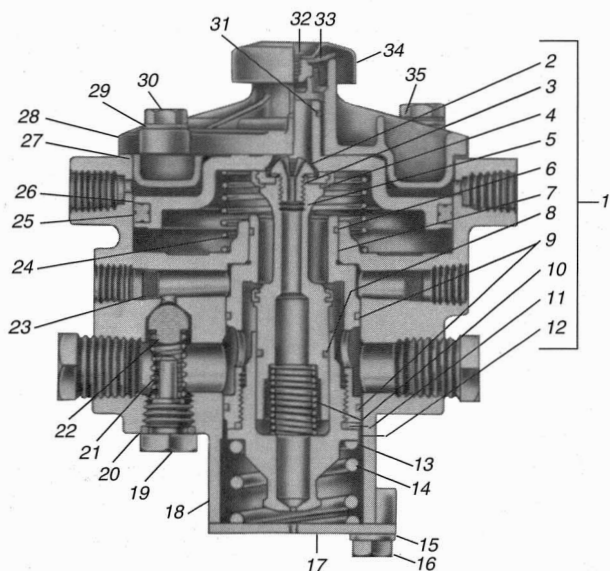
For additional information on RE-4 installation and maintenance, obtain a copy of Service Data Sheet SD-03-41.

IMPORTANT

Part number 229434 is available Remanufactured Exchange Only. All other RE-4 part numbers are obsolete and can be replaced using 229434.



229434



228499
Emg. Piston

Air Connection	229434
Horizontal Delivery Ports (No. & Size)	4 - 1/4" P.T.
Vertical Delivery Ports (No. & Size)	2 - 1/4" P.T.
Supply Ports (No. & Size)	2 - 1/2" P.T. & 1 - 3/4" P.T.
Service or Control Ports (No. & Size)	2 - 1/4" P.T.
Emergency Ports (No. & Size)	2 - 1/4" P.T.

Maintenance Kit Description

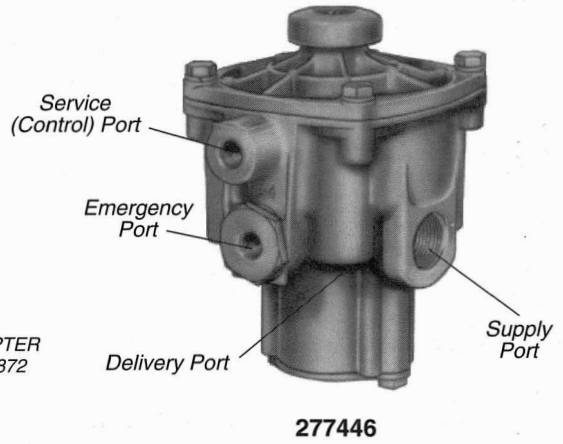
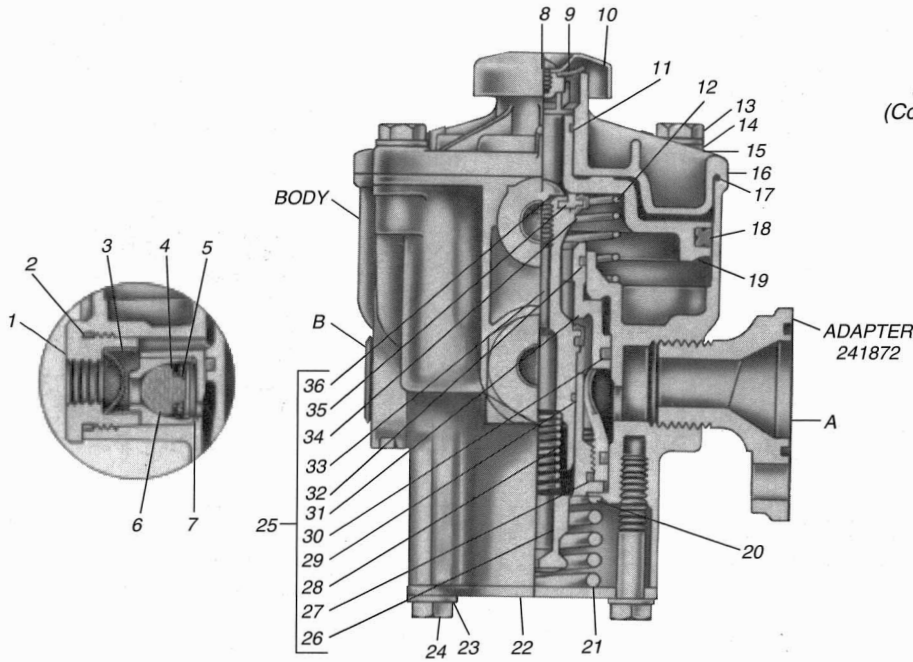
229585 - Maintenance kit (complete valve)

229586 - Maintenance kit Emg. Piston insert (228499)

Maintenance Kits and their contents are listed below. Individual detail parts are generally not available unless their part numbers are shown elsewhere on this page.

Key	Description	Qty.	Kit 229585	Kit 229586
1	Piston Assy.	1		
2	Screw	1		
3	Washer	1		
4	Exhaust Vlv.	1		X
5	Inlet Vlv.	1		X
6	O-Ring 1 1/8" OD	1		X
7	Piston	1		
8	O-Ring 15/16" OD	1		X
9	O-Ring 1 3/4" OD	1		X
10	Spring	1		
11	O-Ring 1 7/16" OD	1		X
12	Emergency Cap Nut	1		
13	Shim (.010" + .020")	*		
14	Spring	1		
15	Lock Washer	2		
16	Cap Screw	2		
17	Cover Plate	1		
18	Body	1		

Key	Description	Qty.	Kit 229585	Kit 229586
19	Cap Screw	1		
20	O-Ring 3/4" OD	1	X	
21	Check Vlv. Spring	1		
22	Check Vlv.	1	X	
23	Filter	2		
24	Spring	1		
25	Quad Ring	1	X	
26	Relay Piston	1		
27	O-Ring 4 1/8" OD	1	X	
28	Cover	1		
29	Lock Washer	4		
30	Cap Screw	4		
31	O-Ring 3/4" OD	1	X	
32	Screw	1		
33	Diaphragm	1	X	
34	Exhaust Cover	1		
35	Washer	2		



Air Connection	277446
Horizontal Delivery Ports (No. & Size)	None
Vertical Delivery Ports (No. & Size)	4 - 1/4" P.T. (or 2 - 1/4" + 2 - 3/8" P.T.)
Supply Ports (No. & Size)	2 - 3/4" P.T.
Service or Control Ports (No. & Size)	1 - 1/4" P.T.
Emergency Ports (No. & Size)	1 - 1/4" P.T.

IMPORTANT

Part number 277446 is available Remanufactured Exchange Only. All other RE-4 part numbers are obsolete and can be replaced using 277446.

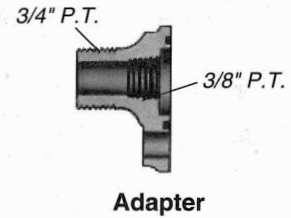
Maintenance Kit Description

- 279553 - Maintenance kit (complete valve)
- 279554 - O-Ring kit (complete valve)

Maintenance Kits and their contents are listed below. Individual detail parts are generally not available unless their part numbers are shown elsewhere on this page.



228499
Emg. Piston



Adapter Kit 109759

- 1 Adapter
- 1 3/8" P.T. Pipe Plug
- 1 O-Ring
- 1 Gasket

Key	Description	Qty.	Kit 229586	Kit 279553
1	Cap Screw	1		
2	O-Ring 1 1/8" OD	1		
3	Filter	1		X
4	Check Vlv. Seat	1		
5	Check Vlv. Spring	1		
6	Check Vlv.	1		X
7	O-Ring 13/16" OD	1		X
8	Screw	1		
9	Diaphragm	1		X
10	Exhaust Cover	1		
11	O-Ring 3/4" OD	1		X
12	Spring	1		
13	Cap Screw	4		
14	Lock Washer	4		
15	Washer	2		
16	Cover	1		
17	O-Ring 4 1/4" OD	1		X
18	Quad Ring	1		X

Key	Description	Qty.	Kit 229586	Kit 279553
19	Relay Piston	1		
20	Shim (.010" + .020")	*		
21	Spring	1		
22	Cover Plate	1		
23	Lock Washer	2		
24	Cap Screw	2		
25	Piston Assy.	1		
26	Cap Nut	1		
27	O-Ring 1 7/16" OD	1	X	X
28	Spring	1		
29	O-Ring 15/16" OD	1	X	X
30	O-Ring 1 3/4" OD	2	X	X
31	Piston	1		
32	O-Ring 1 1/8" OD	1	X	X
33	Inlet Vlv.	1	X	X
34	Exhaust Vlv.	1	X	X
35	Washer	1		
36	Screw	1		