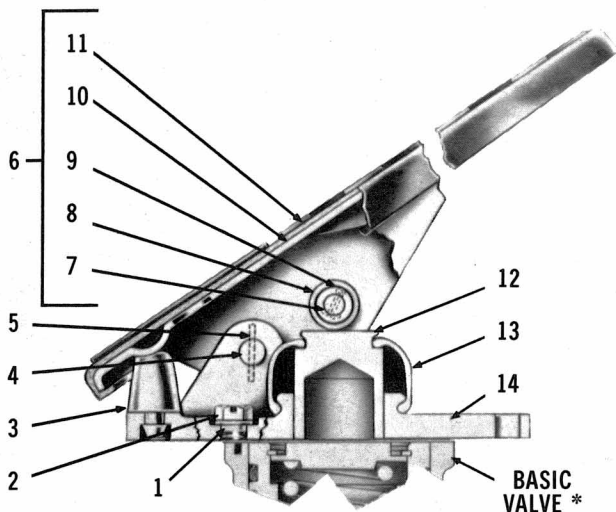


**TYPE E-10 DUAL BRAKE VALVE**

**WITH TREADLE, LEVER/BRACKET OR ADAPTER PLATE**

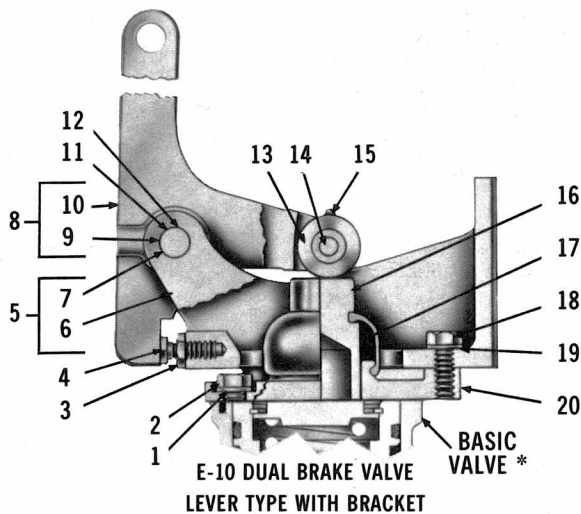


**E-10 DUAL BRAKE VALVE  
WITH TREADLE AND MOUNTING PLATE**

**PC. NO. 101285**

NO.	PC. NO.	QTY.	DESCRIPTION
1	202982	3	LOCK WASHER
2	236729	3	CAP SCREW
3	236980	1	STOP BUTTON
4	238888	1	PIN
5	235212	1	ROLL PIN
6	281309	1	TREADLE ASSY.
7	238474	1	PIN
8	239124	1	ROLLER
9	210492	1	COTTER PIN
10	229939	1	TREADLE
11	240069	1	TREADLE COVER
12	241501	1	PLUNGER
13	236982	1	BOOT
14	241500	1	MOUNTING PLATE
—	101100	1	BASIC VALVE*

\*SEE FRONT OF PAGE FOR DETAILS

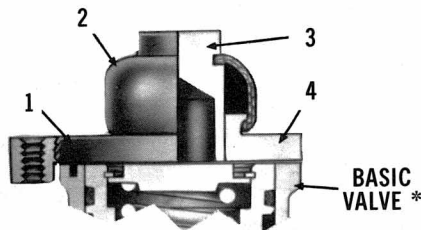


**E-10 DUAL BRAKE VALVE  
LEVER TYPE WITH BRACKET**

**PC. NO. 101270**

NO.	PC. NO.	QTY.	DESCRIPTION
1	202982	3	LOCK WASHER
2	236729	3	CAP SCREW
3	230903	1	LOCK NUT
4	232419	1	ADJUSTING SCREW
5	222090	1	MOUNTING BRACKET ASSY.
6	231231	1	MOUNTING BRACKET
7	210636	2	BUSHING
8	223258	1	LEVER ASSY.
9	211332	2	BUSHING
10	232731	1	LEVER
11	238547	1	PIN
12	210492	1	COTTER PIN
13	211026	1	ROLLER
14	238479	1	PIN
15	231664	1	COTTER PIN
16	237078	1	PLUNGER
17	236982	1	BOOT
18	203414	1	CAP SCREW
19	203505	1	WASHER
20	237221	1	ADAPTER PLATE
—	101100	1	BASIC VALVE*

\*SEE FRONT OF PAGE FOR DETAILS



**E-10 DUAL BRAKE VALVE  
WITH ADAPTER PLATE**

**PC. NO. 101305**

NO.	PC. NO.	QTY.	DESCRIPTION
1	291195	1	ADAPTER PLATE
2	236982	1	BOOT
3	237548	1	PLUNGER
4	293322	3	MACH. SCREW
—	101100	1	BASIC VALVE*

\*SEE FRONT OF PAGE FOR DETAILS