

The PP-DC park control valve is a push-pull, manually operable on/off valve. It is dashboard-mounted and provides in-cab control of truck or bus parking brakes.

The valve is pressure sensitive—it automatically moves from the applied to the exhaust position if total system pressure drops below 20 to 30 psi. Also, manually pulling the button will apply the parking brakes.

The PP-DC body is made of molded black acetal copolymer, and the cover is available in two mounting variations. The valve is designed to accept 1/4" P.T. fittings or push-to-connect (P.T.C.) fittings that use SAE J844D nonmetallic air brake tubing.

Port

Primary Reservoir Supply
Secondary Reservoir Supply
Delivery
Exhaust

Embossed I.D.

Supply 11
Supply 12
Delivery 21
Exhaust 3

Operating pressure: 150 psig max.

Operating temperature: -40° to 200° F

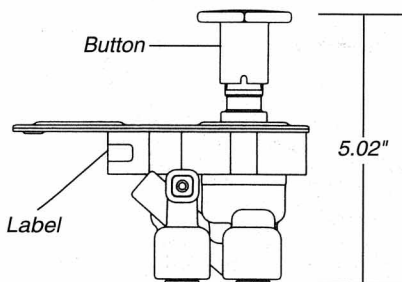
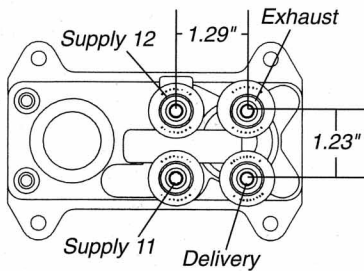
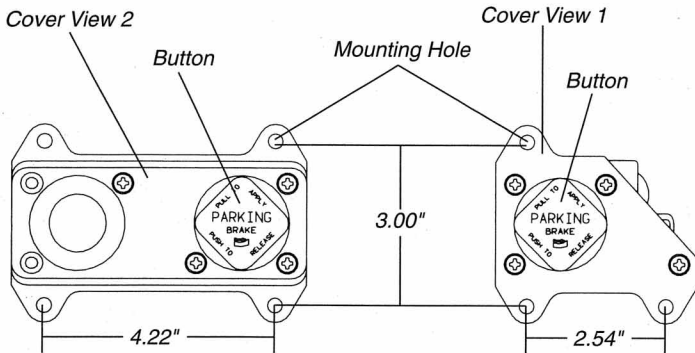
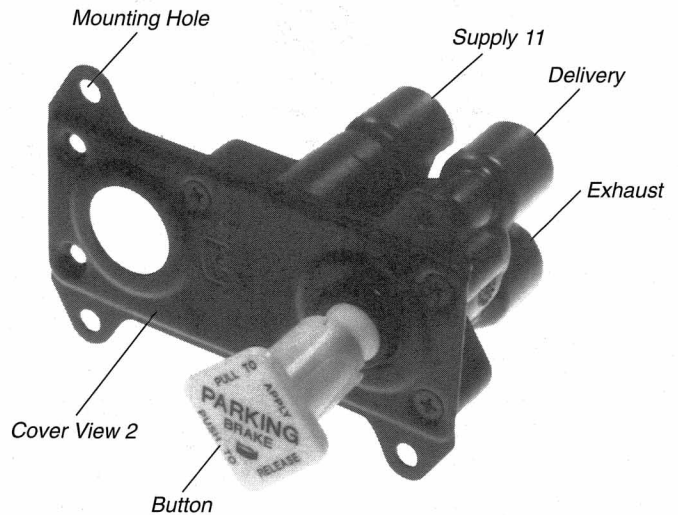
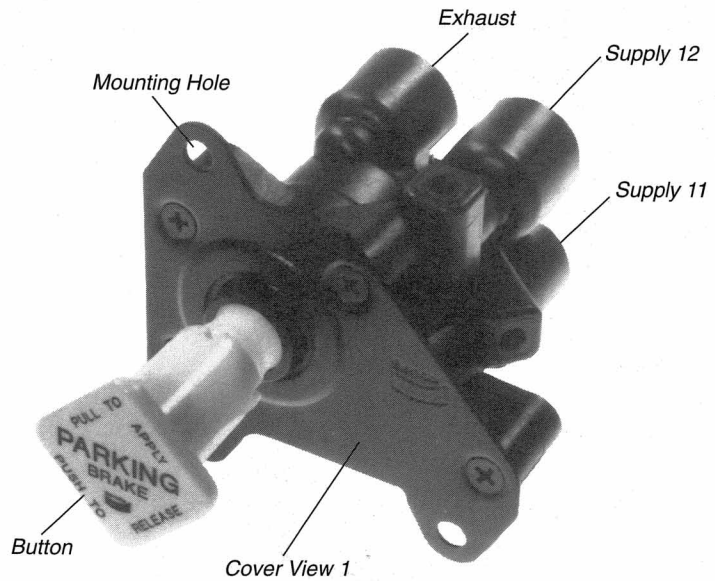
Basic valve weight: Approximately .8 lbs.

Service manual: SD-03-3619 (BW 1739)

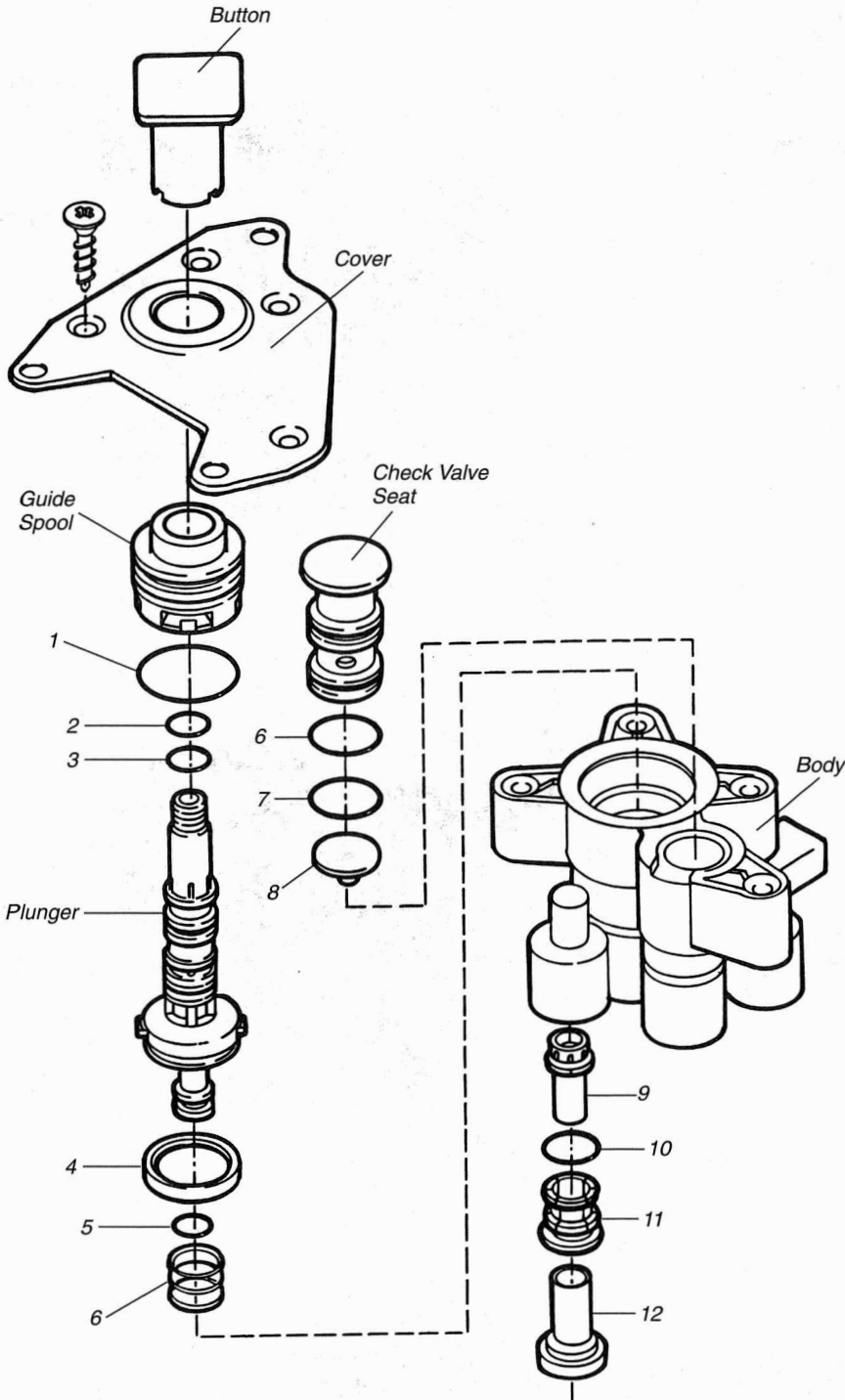
Maintenance kit: 109660

P.T.C. fitting tubing parts kit: 5000030

P.T.C. fitting tool kit: 5000034



PP-DC PC. NO.		CUSTOMER IDENTIFICATION	COVER VIEW	MOUNTING HOLE	PORT TYPE
OE	SVC				
109636	065643	Navistar 2014412C91	2	.27" DIA.	Push-to-connect (3/8" O.D. Tubing)
109795	065661	Navistar 2032342C91	1	1/4"-20 THD.	Push-to-connect (3/8" O.D. Tubing)
109881	065690	—	1	.27" DIA.	Push-to-connect (3/8" O.D. Tubing)
5000054	800004	Ford F81A-2A622-BA	2	#10-24 THD.	Push-to-connect (3/8" O.D. Tubing)
5000360	800034	—	2	.27" DIA.	1/4"-18 N.P.T.

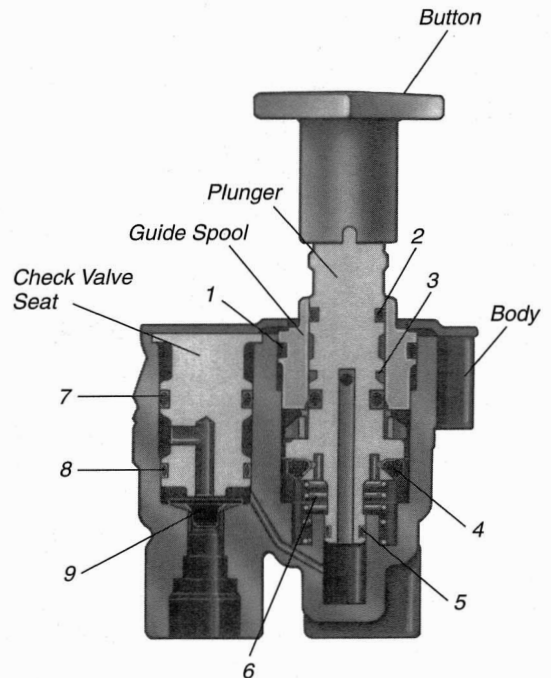


Maintenance kit 109660 contents:

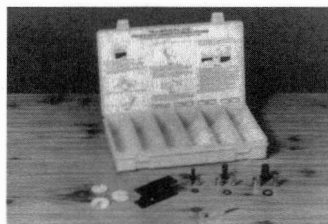
Key No.	Qty.	Description
1	1	O-ring
2	1	O-ring
3	1	O-ring
4	1	Exhaust seal
5	1	O-ring
6	1	O-ring
7	1	O-ring
8	1	Check valve
-	1	Silicone Grease
-	1	Instruction Sheet

Push-to-connect Fitting Tubing Parts
Kit 5000030 contents:

Key No.	Qty.	Description
9	1	Tube Support
10	1	O-ring
11	1	Collet
12	1	Assembly Plug



Tool Kit 5000034



Push-to-connect Fitting
Tool Kit 5000034 contents:

- Plug pullers
- Tubing cutter
- Tubing
- Collet and O-ring removers
- Carrying case

NOTE: Kit supplies tools for 1/4", 3/8", 1/2", 5/8" and 3/4" push-in fittings.