

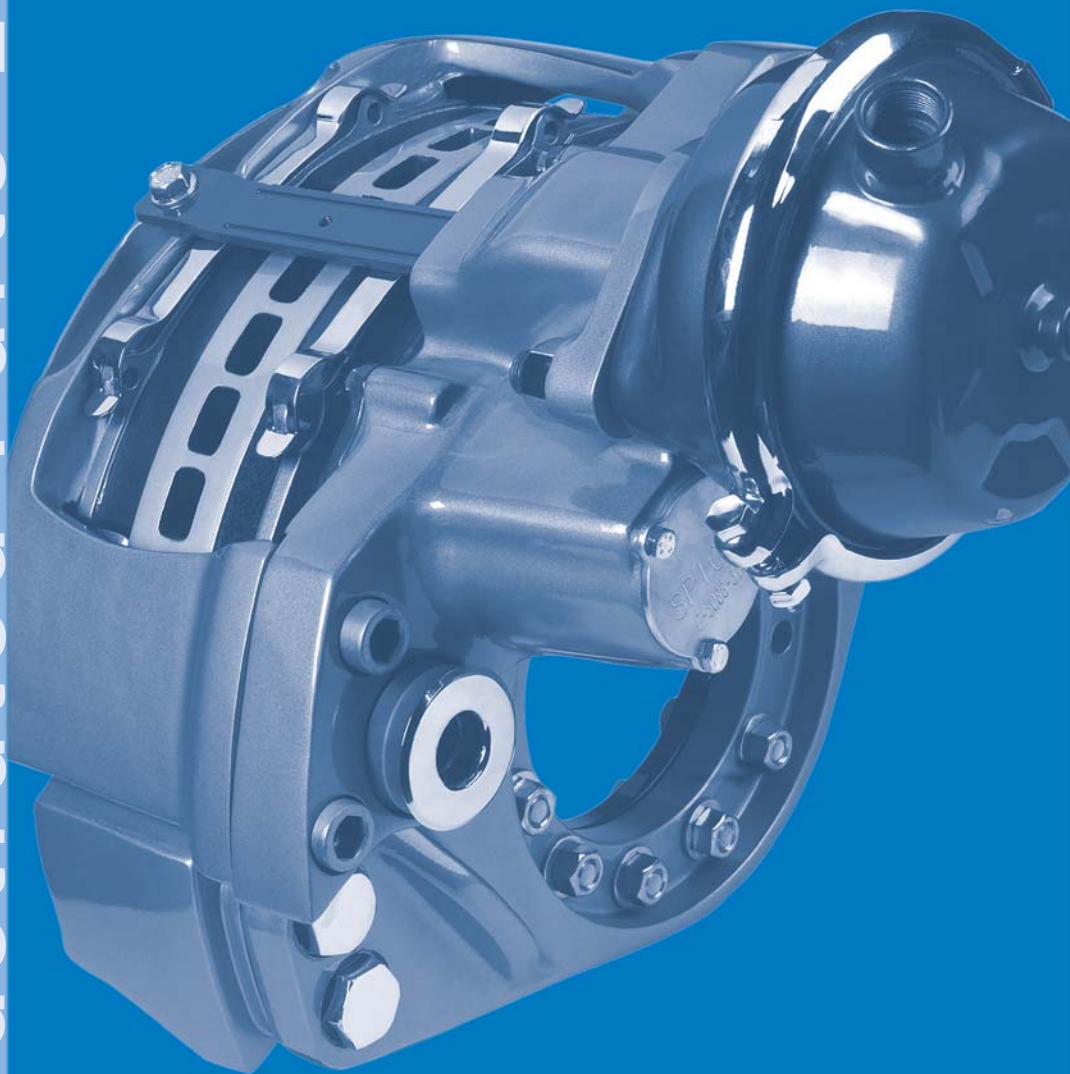


Premium wheel-end brake products

Bendix® ESD-225™ Air Disc Brake

Supplement to BW7253

Illustrated Parts List



**Bendix Spicer
Foundation Brake LLC**

A Bendix Commercial Vehicle Systems
and Dana Corporation Joint Venture

Table of Contents

Introduction

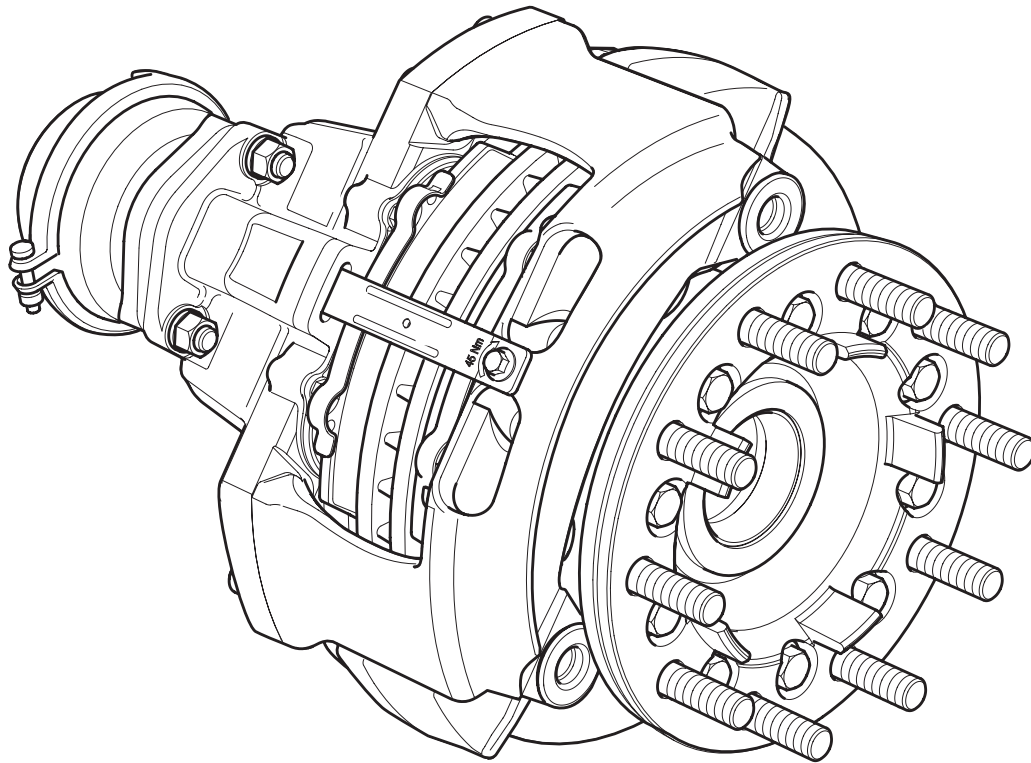
About this Parts Book.....	2
Abbreviations.....	2
Genuine Bendix® Parts.....	2
Ordering Bendix® Parts	2
How to use this Parts Book	
Bendix® Kits.....	2

Specifications

Model Identification	3
----------------------------	---

Air Disc Brake Components

Bendix® ESD-225™ 571.5 mm (22.5 in.) Exploded View	4
Bendix® ESD-225™ 571.5 mm (22.5 in.) Parts List.....	5
Torque Plates	6



About this Parts Book

Bendix Spicer Foundation Brake LLC presents this Parts Book as an aid in the identification and procurement of replacement parts for Bendix® Air Disc Brakes. The information included covers the most commonly used parts.

Exploded views are used to illustrate the parts and show their relationship to other parts on the brake. Each part is identified by an item number, which in turn, leads to a list containing part name and part number.

For convenience, part numbers have been included for all pieces of the brake assembly, (however, some of these parts are serviced only in kits or assemblies.) Part numbers are for your reference only. Those parts not serviced separately are identified with NSS.

Abbreviations

AR-As Required: Parts that vary in quantity with each brake.

NSS-Not Serviced Separately: Items which can only be purchased in sets, kit form, or service assemblies.

Genuine Bendix® Parts

When you buy genuine Bendix replacement parts, you receive the same high quality and exacting tolerances you find in the original brake components.

Only genuine Bendix parts have the latest Bendix engineering improvements and assure equal or better performance than the original parts.

Bendix also backs you up with a responsive and capable service organization strategically located to provide you with emergency parts and service when you need them.

Insist on Bendix quality. Use genuine Bendix replacement parts.

Ordering Bendix Parts

Place all your parts orders through your authorized Bendix distributor, truck dealer or original equipment manufacturer.

Do not order parts directly from Bendix.

How to use this Parts Book

1. Models covered in this publication are listed on the opposite page.
2. For ease of service, Bendix recommends the use of kits.

Bendix Kits

Bendix kits give you an economical, convenient way to stock Bendix replacement parts. They contain all the parts you need to do a complete, professional job of overhauling or repairing your Bendix® Air Disc Brake and you have only one part number in one easily stored package to order, stock, identify, and satisfy your customer's needs.

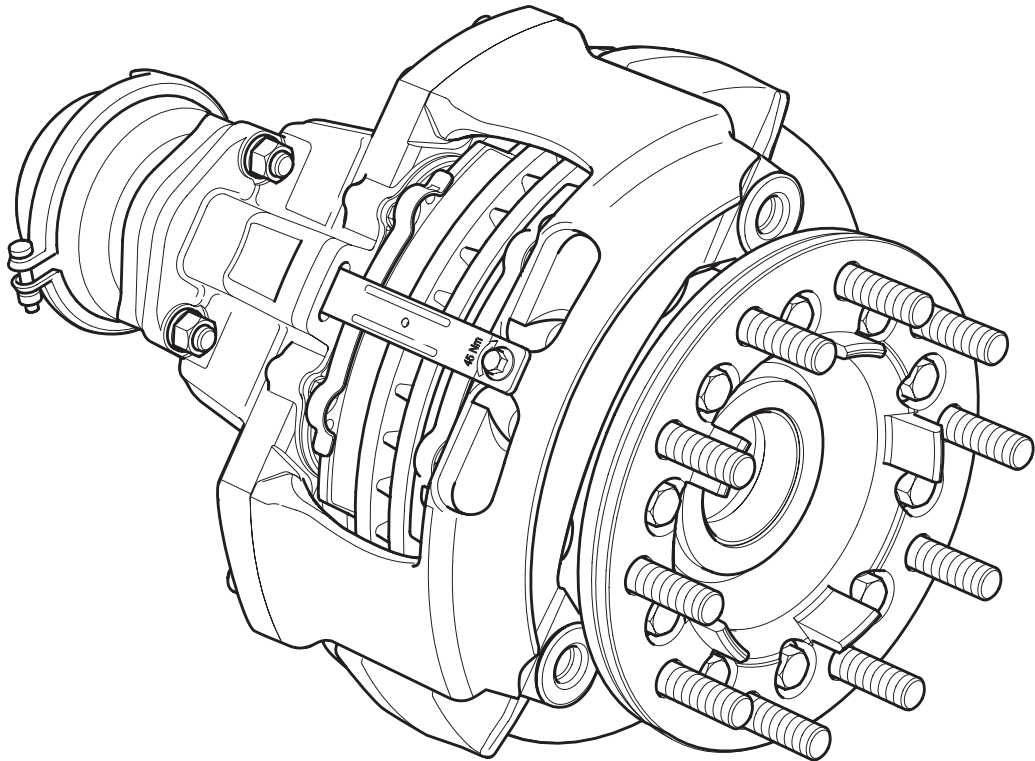
Model Identification

Bendix® ESD - 225™

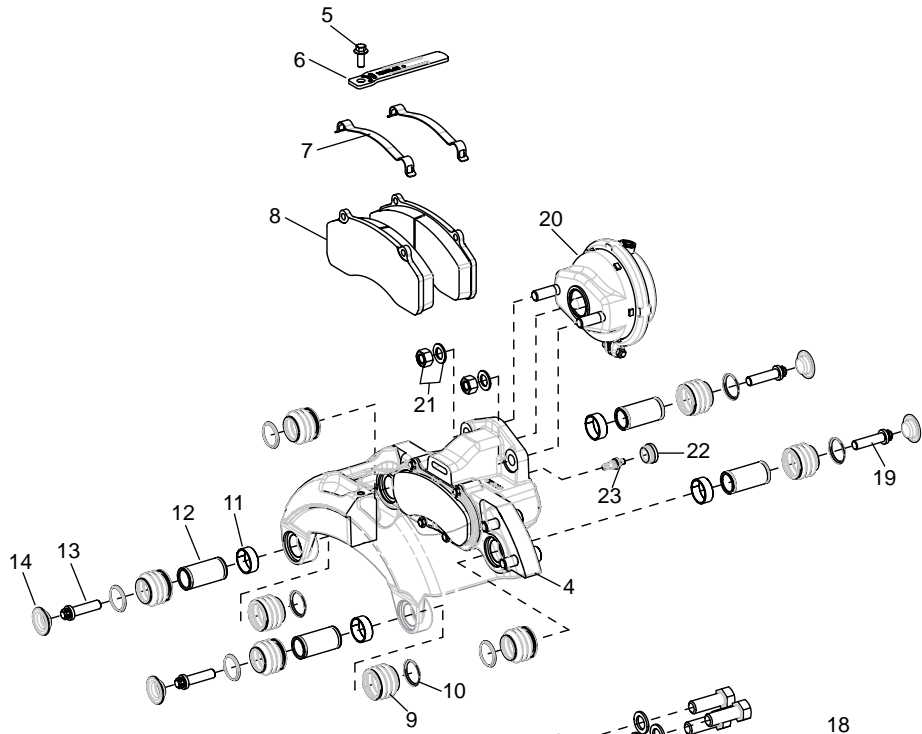
Extended Service

Disc Brake

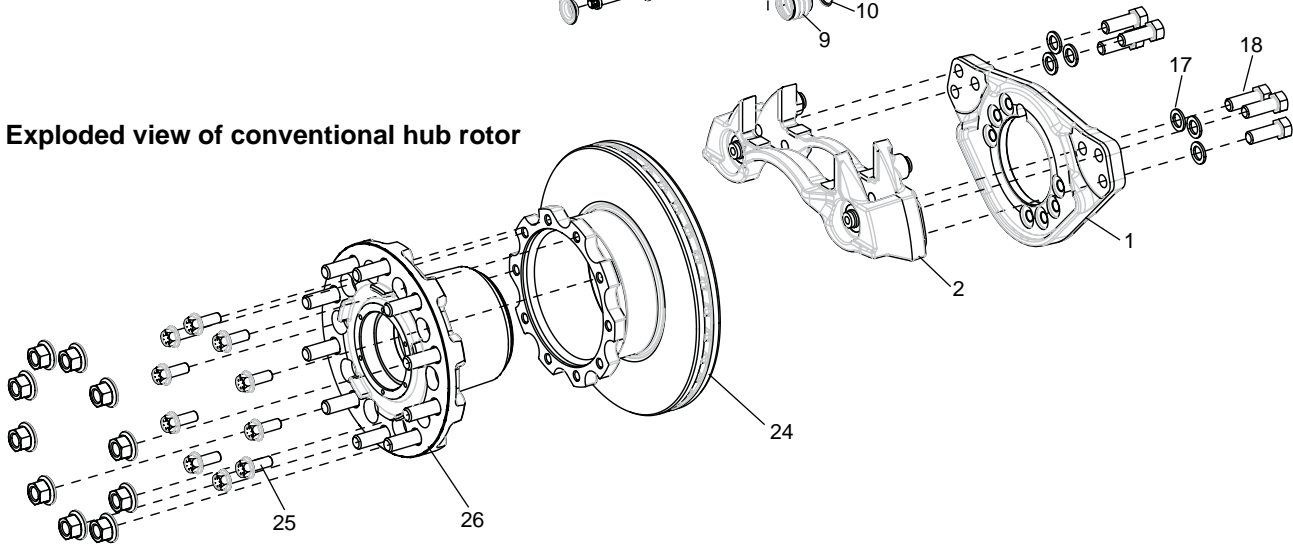
Wheel Size



Bendix® ESD-225™ Air Disc Brake Parts Explode



Exploded view of conventional hub rotor



Brake Kits (Services One Wheel End)

Brake Pad Kit	328863	Incls: Items 5, 7 & 8
Major Overhaul Kit	328862	Incls: Items 5, 7, 8, 9, 10, 11, 12, 13 & 14
Air Chamber Kits	see page 5	Incls: Items 20 & 21
Rotor Kits	see page 5	Incls: Items 24 & 25

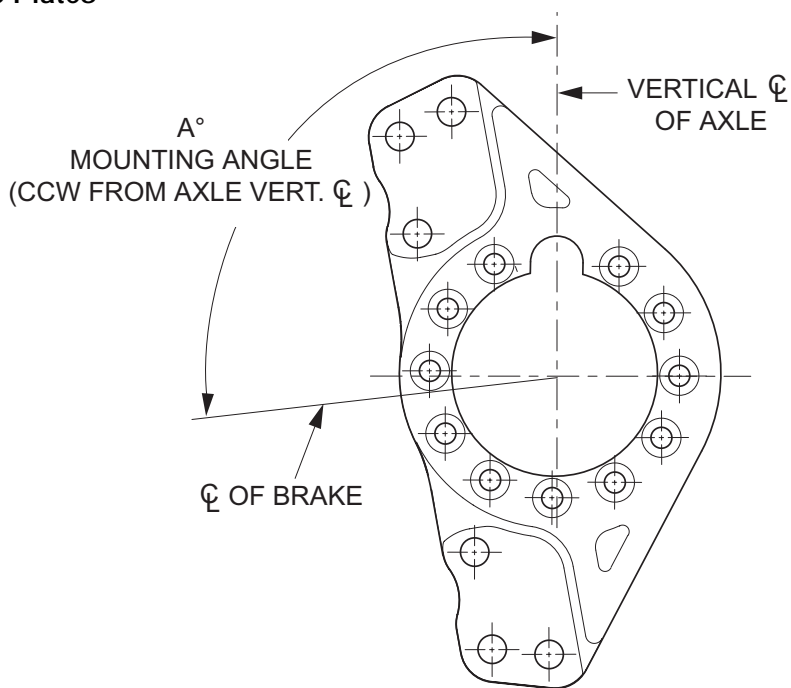
Bendix® ESD-225™ Air Disc Brake Parts List

Item	Description	Part Number	Quantity per Wheel End	Notes
1	Torque Plate	See Page 6	1	
2	Bridge - NSS			Order Kit #K022919
4	Caliper - NSS			Order Kit #K022919
5	Retaining Bar Screw		1	Order Kit #328863
6	Pad Retaining Bar	976085	1	
7	Pad Retaining Spring		2	Order Kit #328863
8	Pad (Lining)		2	Order Kit #328863
9	Slider Boot - NSS		8	Order Kit #328862
10	Boot Retaining Ring - NSS		8	Order Kit #328862
11	Slider Bushing - NSS		4	Order Kit #328862
12	Slider Pin - NSS		4	Order Kit #328862
13	Slider Pin Bolt - NSS		4	Order Kit #328862
14	Slider Pin Cap - NSS		4	Order Kit #328862
17	Flat Washer - NSS		6	20 mm [0.79 in.]
18	Hex Head Screw - NSS		6	M20 x 1.5 - 50
20	Air Chamber - NSS			Order Kit #:
	20" Chamber	975334	1	329190
	24" Chamber	975335	1	329191
	24 / 30" Chamber	975336	1	329192
21	Air Chamber Mounting Nut and Washer		2 ea.	Included in Air Chamber Kits above
22	Actuator Plug	976107	1	
23	Actuator Extension Assembly	976116	1	
24	Conventional Disc Brake Rotor (U-Shape) - NSS		1	Order Kit #977699
	Flat Disc Brake Rotor - NSS			802934
25	Hex Head Cap Screw - NSS		10	0.62-11 x 1.62

Bendix® ESD-225™ Air Disc Brake Torque Plates

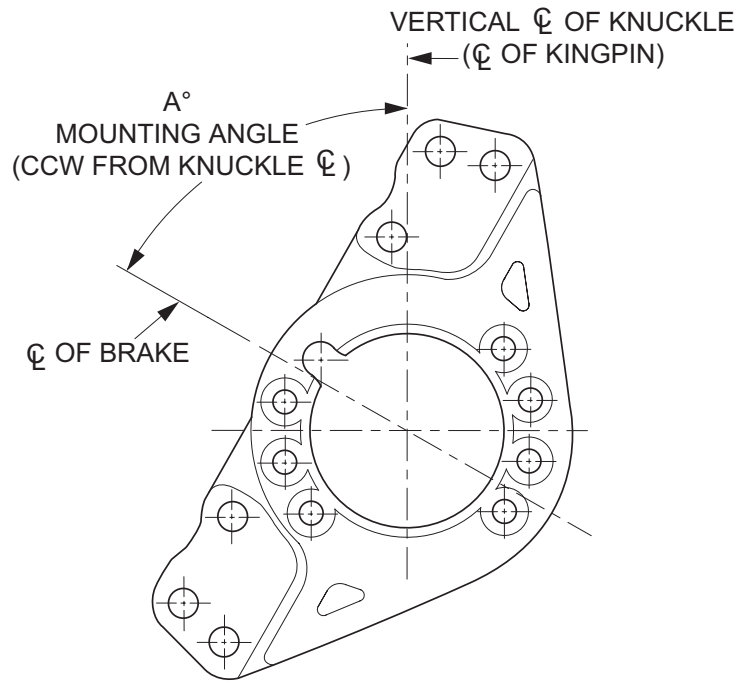
Torque Plates (Drive Axle)

Part Number	Mounting Index Angle	OEM
976012	100°	
976013	260°	
976014	110°	Kenworth
976015	250°	Kenworth
976016	98°	Peterbilt
976017	262°	Peterbilt
976018	105°	Peterbilt
976019	255°	Peterbilt
976020	124°	Kenworth
976021	236°	Kenworth
976048	285°	Sutphen
976049	75°	Sutphen
976050	150°	Various
976051	210°	Various
976052	90°	Freightliner & Sutphen
976053	270°	Freightliner & Sutphen
976064	85°	Freightliner
976065	275°	Freightliner
976138	95°	Various
976139	265°	Various
976140	103°	Various
976141	257°	Various
976144	359°	Monaco
976145	1°	Monaco
976148	250°	Peterbilt
976149	110°	Peterbilt
976172	128°	Kenworth
976173	232°	Kenworth
976174	240°	Kenworth
976175	120°	Kenworth



Torque Plates (Steer Axle)

Part Number	Mounting Index Angle	OEM
976010	60°	
976011	300°	
976058	235°	Sutphen
976059	125°	Sutphen
976066	267°	12K Steer Rear Mount
976067	93°	12K Steer Rear Mount
976132	10°	12K Steer Rear Mount
976133	350°	12K Steer Rear Mount
976134	20°	12K Steer Rear Mount
976135	340°	12K Steer Rear Mount
976136	0°	12K Steer Rear Mount
976137	360°	12K Steer Rear Mount



*For more information, talk to your Bendix or Roadranger
representative, call 1-866-610-9709 or visit
www.foundationbrakes.com.*



Bendix Spicer
Foundation Brake LLC

A Bendix Commercial Vehicle Systems
and Dana Corporation Joint Venture

Roadranger

The Roadranger® System features
Bendix® brand foundation brakes.

901 Cleveland Street • Elyria, Ohio 44035 • 1-866-610-9709 • www.foundationbrakes.com

BW7264 ©2008 Bendix Spicer Foundation Brake LLC • 01/08 • All Rights Reserved • Printed in U.S.A.