

Bendix® Air Disc Brake Chamber Service Information

As fleets continue to experience the advantages of Bendix® Air Disc Brakes and the number of vehicles with this technology grows, there is an increasing need to have information on the brake chambers that are used on this equipment.

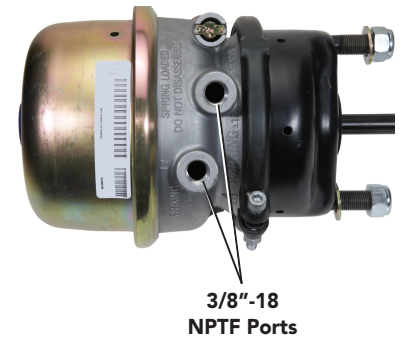
To make it easier for you to service your vehicle(s), below is some key information on service part numbers, maintenance kits, and a cross reference guide.

A. Universal Replacement Chamber Guide

There are many OEM air disc brake chamber part numbers utilized by truck fleets. However, as with S-Cam chambers, the recommended service replacement part is provided in a “universal” configuration by Type and Size of the chamber itself. This greatly simplifies stocking requirements. Here is the Bendix Air Disc Brake Chamber universal part number quick reference guide.

Bendix® EverSure® Air Disc Brake Spring Brake Chamber

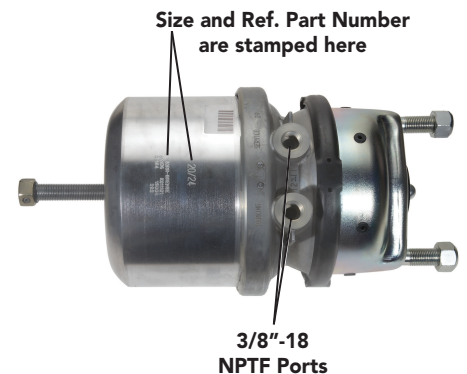
Type*	Stroke	Spring Brake Universal Replacement Part No.	Diaphragm Kit	Clamp Ring Kit	Dust Plug	Bellows Kit
T16/24	2.25" (57mm)	K042457	K052484	K090235	K034202	K090594
T18/24		K043329	K052484			
T20/24	2.50" (63mm)	K041960	K052486	K090236		
T22/24		K043148	K052487	K090237		
T24/24		K043270	K052488			



*The chamber type is noted as TXX/5.6kN on the chamber bar code label. Note that 5.6kN refers to the force of the power spring. Air Disc Brake spring brake chamber for trailers part number K026451 has been replaced by part number K043329.

NG-3™ Piston Style Spring Brake Chamber

Type	Stroke	Spring Brake Universal Replacement Part No.	Diaphragm Kit	Clamp Ring Kit	Bellows Kit
T14/24	2.25" (57mm)	K026735	—	—	K090594
T16/24		K026731	K052484	K090235	
T18/16		K027557	K052485		
T18/24	2.50" (63mm)	K025670	K052486	K090236	
T20/24		K025669	K052486	K090237	
T22/24		K026737	K052488		
T24/24		K026734	K052488		



Air Disc Brake Service Chambers

Type	Stroke	Service New Universal Replacement Pc. No.	Diaphragm Kit	Clamp Ring Kit	Bellows Kit
T12	2.25" (57mm)	K028227	—	—	K090594
T14		K028039			
T16		K028226			
T18	2.50" (63mm)	K028022	K052486	K090236	
T20		K028225	K052486	K090237	
T22		K028238	K052487		
T24		K028252	K052488		

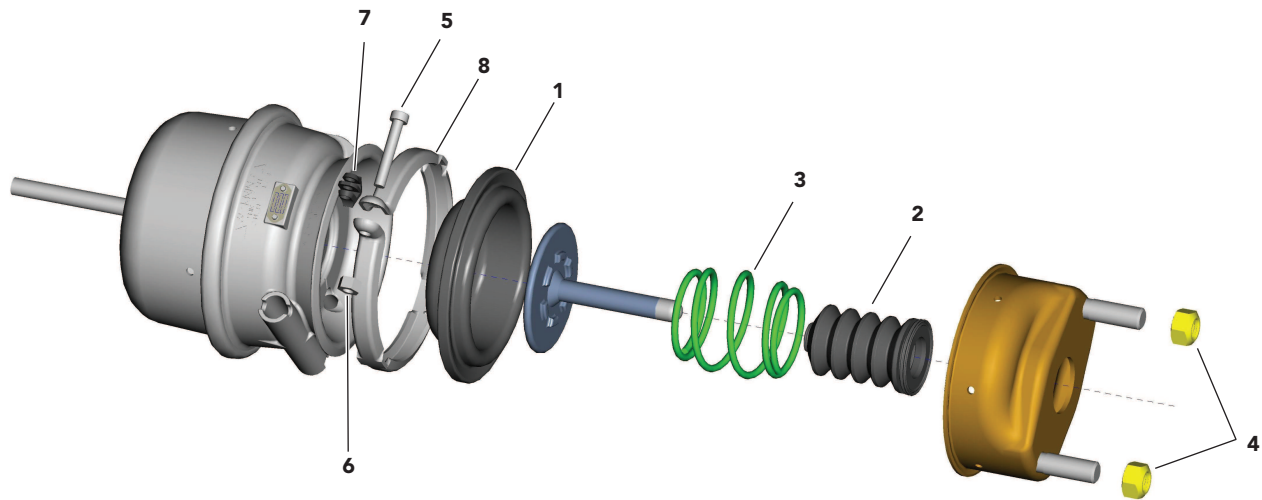


Universal replacements may require re-clocking of the clamp band. See Bendix Service Data Sheet SD-02-4525 for instructions on re-clocking.

B. Bendix Air Disc Brake Chamber Maintenance Kit Contents

The following describes the components included in the maintenance kits referenced in Section A (Diaphragm Kit, Clamp Ring Kit, Bellows Kit):

Maintenance Kits for Air Disc Brake Chambers



Item No.	Description	Kit Contents		
		Diaphragm Kit	Clamp Ring Kit	Bellows Kit
1	Diaphragm	1	—	—
2	Bellow	1	—	1
3	Spring	1	—	—
4	Lock Nut	2	—	2
5	Screw	1	1	—
6	Hex Nut	1	1	—
7	Spacing Sleeve	1	1	—
8	Clamp Ring	—	1	—
9	Grease Packet (not shown)	1	—	1

Caution: Be sure to follow the instruction sheet included in the kit when servicing.

The replacement diaphragm must match the original diaphragm.

The clamp band torque is 20 ft-lbs. (28 Nm.)

The mounting nut torque is 133 ft-lbs. (180 Nm.)

For Specific Part No. information, please see section A.

C. Bendix Air Disc Brake Chamber – OEM to Universal AM Replacement Cross-Reference Information

Bendix Air Disc Brake Service Chambers

OEM Part No.	Size	Stroke	Universal AM Replacement Kit
5016147	T20	2.50" (64mm)	K028225
5016148			
5016149			
5016150			
5016151			
5016152			
5016153			
5016154			
5016155			
5016156			
5016157			
5016158			
5016159			
5016160			
5016161			
5016162			
5017775			
5017776			
5018500			
5018501			
5019682			
5019683			
K025439			
K025440			
K026449			
K026450			
K034179			
K034180			
5016179	T16	2.25" (57mm)	K028226
5016180			
5016183			
5016184			
5016185			
5016186			
5016187			
5016188			
5016189			
5016190			
5016191			
5016192			
5017995			
5017996			
5018299			
5018300			
5020042			
5020043			

OEM Part No.	Size	Stroke	Universal AM Replacement Kit
5020282	T16	2.25" (57mm)	K028226
5020283			
K031541			
K031542			
K034062			
K034063			
5016736	T18	2.50" (64mm)	K028022
5016737			
5016738			
5016739			
5016756			
5016757			
5018616			
5017617			
5019418			
5019419			
5019420			
5019421			
5019724			
5019725			
K031569			
K031570			
K034105			
K034106			
K044753	T20	2.50" (64mm)	K028225
K044754	T22	2.50" (64mm)	K028238
K044755			
K044756			
5016691	T24	2.50" (64mm)	K028252
5016692			
5016693			
5016694			
5016695			
5016696			
5019385			
5019386			
K035714			
K035715			
5017180*	T18	2.25" (57mm)	K028022
5017181*			
5017773*			
5017774*			
5017787*			
5017788*			
5017789*			
5017790*			

*OE PN had 57mm stroke and is no longer in production. All of these chambers can be serviced by Universal replacement T18 (64mm) part number K028022, but they should always be replaced in pairs across axle due to the stroke differences.

Universal replacements may require re-clocking of the clamp band. See Bendix Service Data Sheet SD-02-4525 for instructions on re-clocking.

Bendix Air Disc Brake Service Chambers, continued

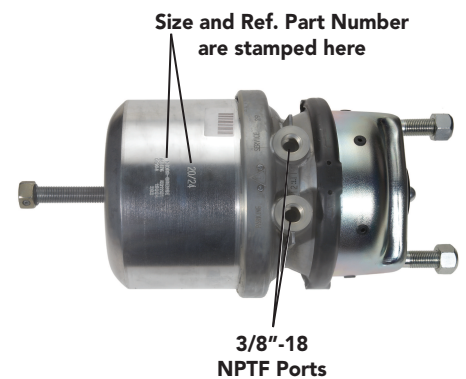
OEM Part No.	Size	Stroke	Universal AM Replacement Kit
5016678	T22	2.50" (64mm)	K028238
5016679			
5016680			
5016681			
5016710			
5016711			
5017096			
5017097			
5016665	T12	2.25" (57mm)	K028227
5016666			
5016667			
5016668			
5019740			

OEM Part No.	Size	Stroke	Universal AM Replacement Kit
5016650	T14	2.25" (57mm)	K028039
5016651			
5016652			
5016653			
5016654			
5016655			
5016656			
5016657			
5020018	T16	2.25" (57mm)	K028226
5020019			
K031902	T18	2.50" (64mm)	K028022
K031901			
K025442			
K025443			

Universal replacements may require re-clocking of the clamp band. See Bendix Service Data Sheet SD-02-4525 for instructions on re-clocking.

NG-3 Piston Style Spring Brakes

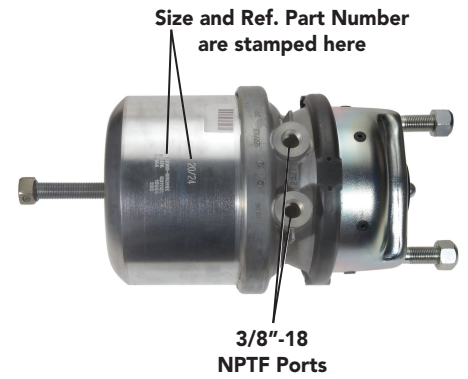
OEM Part No.	Size	Stroke	Universal Replacement AM Part No. (Piston Style)	Ref PN	
5017187	T18/16	2.25" (57mm)	K027557	K012314	
5017188					
5017758					
5017759					
5017760					
5017761					
5016450	T16/24	2.25" (57mm)	K026731	K011097	
5016451					
5016452					
5016453					
5016454					
5016455					
5016941					
5016942					
5016722			2.50" (64mm)	K025670	K011236
5016723					
5016724					
5016725					
5016726					
5016727					
5016770					
5016771					
5018434					
5018435					



Universal replacements may require re-clocking of the clamp band. See Bendix Service Data Sheet SD-02-4525 for instructions on re-clocking.

NG-3 Piston Style Spring Brakes, continued

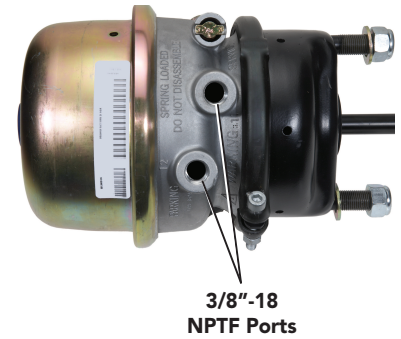
OEM Part No.	Size	Stroke	Universal Replacement AM Part No. (Piston Style)	Ref PN
5018436	T18/24	2.50" (64mm)	K025670	K011236
5018437				
5018450				
5018451				
5019734				
5019735				
K025437				
K025438				
5016264	T20/24	2.50" (64mm)	K025669	K011101
5016265				
5016279				
5016280				
5016281				
5016282				
5016283				
5016284				
5016285				
5016286				
5016287				
5016288				
5016289				
5016290				
5016775				
5016776				
5016784				
5016785				
K025435				
K025436				
5016463	T24/24	2.50" (64mm)	K026734	K011109
5016464				
5016465				
5016466				
5016467				
5016468				
5016469				
5016470				
K029173				
K029174				
5016933	T22/24	2.50" (64mm)	K026737	K011106
5016934				
5017710				
5017711				



Universal replacements may require re-clocking of the clamp band. See Bendix Service Data Sheet SD-02-4525 for instructions on re-clocking.

Bendix EverSure® Double Diaphragm ADB Spring Brakes

OEM Part No.	Size	Stroke	Universal Replacement AM PN – EverSure® ADB
K042441	T16/24	2.25" (57mm)	K042457
K042442			
K042443			
K042444			
K042445			
K042446			
K042447			
K042448	T18/24	2.25" (57mm)	K043329
K043290			
K043291			
K043294			
K043295			
K043296			
K043297			
K043302			
K043303			
K043304			
K043305	T16/24	2.25" (57mm)	K042457
K057415			
K057416			
K057417			
K057418			
K059879			
K059880			
K065798	T18/24	2.25" (57mm)	K043329
K059884			
K059885			
K065541			
K066986			
K066987			
K066988	T20/24	2.50" (64mm)	K041960
K066989			
K039215			
K039219			
K039220			
K039221			
K039222			
K039225			
K039227			
K039229			
K039230			
K039231			
K039232			
K057413			

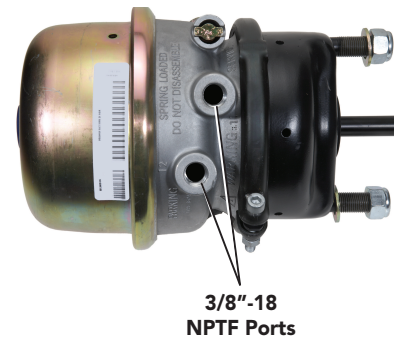


**3/8" -18
NPTF Ports**

Universal replacements may require re-clocking of the clamp band. See Bendix Service Data Sheet SD-02-4525 for instructions on re-clocking.

Bendix EverSure® Double Diaphragm ADB Spring Brakes, continued

OEM Part No.	Size	Stroke	Universal Replacement AM PN – EverSure® ADB
K057414	T20/24	2.50" (64mm)	K041960
K059877			
K059878			
K065543			
K043136	T22/24	2.50" (64mm)	K043148
K043137			
K043138			
K043139			
K059882			
K059883			
K072251			
K043250			
K043251		K043270	
K043252			
K043253			
K043254			
K043255			
K043256			
K043257			
K043258			
K043259			
5017127	T18/5.4	2.25" (57mm)	K043329
5017128			
5017129			
5017130			
5017661			
5017662			
5020487			
5020488			
5020489			
K026129			
K026128			
K026127			
K026453			



**3/8\"-18
NPTF Ports**

Universal replacements may require re-clocking of the clamp band. See Bendix Service Data Sheet SD-02-4525 for instructions on re-clocking.

Log-on and Learn from the Best

On-line training that's available when you are –24/7/365.
Visit www.brake-school.com.

