

GPS Tracker

(GPS+SMS+GPRS+GSM)

User Manual

(Version 2.3)

1. Appearance Design



(PIC. 1)

2. Specification

- GSM 850/900/1800/1900 Quad band for global world
- GPRS: CLASS12,TCP/IP
- Voltage input range: 9–100V
- Sleeping Current: 2.0mA@12V
- GPS positioning time: Cold start -38S (OPEN SKY)
Hot start -2S (OPEN SKY)
- GPS positioning precision: 10m (2DRMS)
- Temperature : -20°C ~ +70°C
- Humidity: 20% - 80% RH
- Dimension: 67(L)mm*38.8(W)mm*11.5(H)mm
- Weight: 0.125kg

Please read this manual carefully before attempting installation and online activation. Pictures are for indication and illustration purposes only.

3.Function

- ◇ GPS satellite & LBS base station dual model positioning
- ◇ Vibration alarm (sensitivity is adjustable from 1 to 5 grade)
- ◇ GEO-fence
- ◇ Max voltage 100V, Support battery voltage-detection
- ◇ Low current consumption sleep mode.
- ◇ ACC detection
- ◇ Remote control cut-off/on engine (petrol / electricity) (need extra add relay)
- ◇ Cut off power alarm (built-in battery ,optional)
- ◇ Waterproof

4. Indicating Led Light



(PIC.2)

NOTE: For covert protective , the LED status will be invisible after installing the back cover.

(1).Red Led -Power status indicator

Led status	Meaning
Quick flashing	Working normally (working by backup car battery).
Slow plashing	Working normally (working by battery of device) the device will change to work by own battery while backup battery had been cut down and it will alarm .
Continuously in bright status	Device error

(2).Blue LED-GSM status indicator

LED Status	Meaning
Quick flashing	Working normally ,uploading GPRS data to platform server
Slow flashing	Working normally ,receive GSM signal normally
Continuously in bright status	No GSM signal

(3).Green LED- GPS status indicator

LED Status	Meaning
Quick flashing	Working normally , GPS Located
Continuously in bright status	Searching GPS signal

5. Installation:

5.1 preparation before installation :

5.1.1 Open the packing box to check whether the type of device is correct and whether the accessories are included ,or else please contact with your distributor.

5.1.2 To test SIM card, please install it into a normal GSM mobile and ensure it can send and receive SMS, and enables for GPRS.

5.1.3 SIM installation, refer to below pictures.

Note: Power off before installing or removing the SIM card.



(PIC.3)

5.2 Notice of Installation:

To prevent theft of the Device, the device should be installed as covertly as possible. Notice as following:

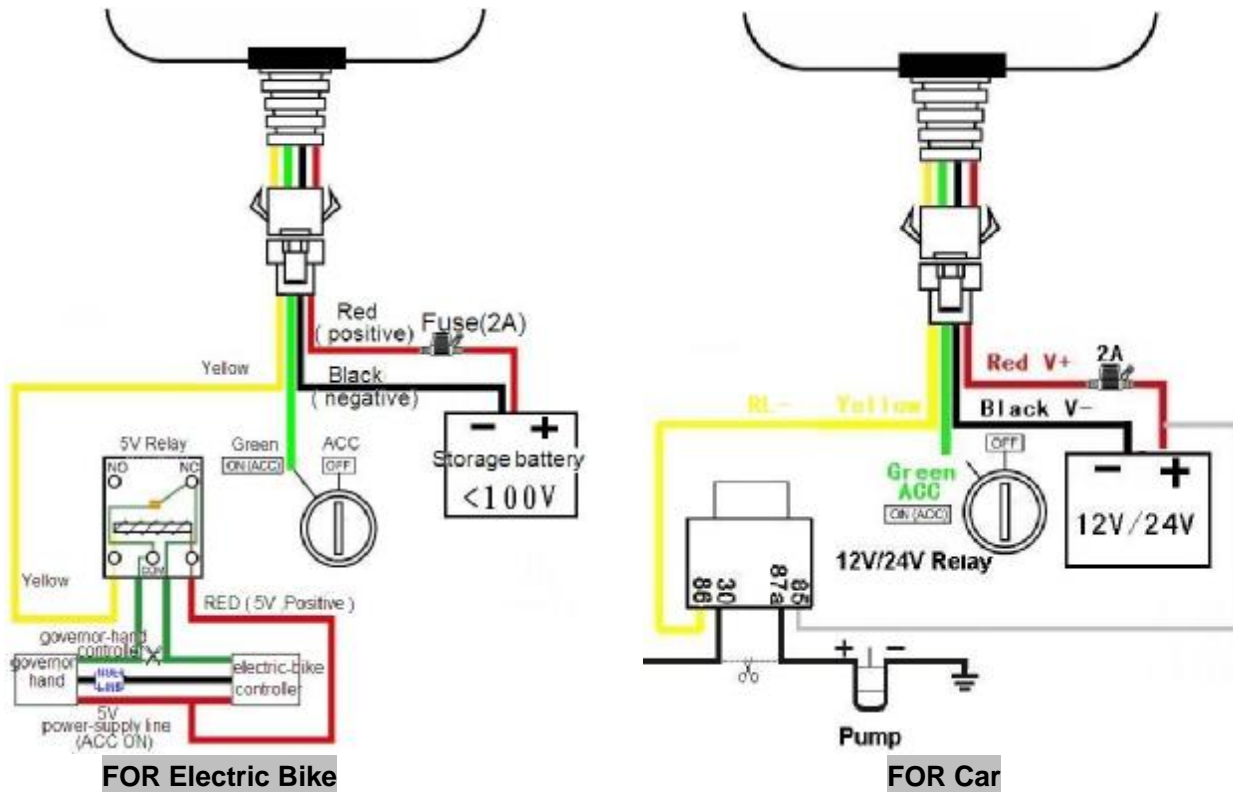
5.2.1 Avoid placing the Device close to higher power electrical devices ,such as reversing radar, anti-theft device or other vehicle communication equipment.

5.2.2 The Device should be fixed into position with cable ties or wide double-side tape.

5.2.3 Device has built-in GSM antenna and GPS antenna. During installation, please make sure the receiving side face is up, with no metal object above the device to interfere with GPS reception.

5.2.4 For safety , do NOT remove the fuse of device cable.

5.3 Device wiring diagram



(PIC.4)

5.4 Steps of installation

- 5.4.1 Open the back cover ,insert a SIM card to SIM card slot .
- 5.4.2 Switch power button up(power on) .
- 5.4.3 Connect the power code with the interface of device. Now three LED lights will lighting .Make sure the receiving side face up,without any metal object shelter. The LED lights will flashing after 1 to 5mins. It shows working normally.
- 5.4.4 Close the back cover.
- 5.4.5 Please ask professional technical to connect wires and install to the vehicle. After correct installation, the RED led will flashing, 1 min. Later the BLUE led will flashing too. That shows installing completely.

6. Cautions of device wiring:

6.1 Power code wiring:

The standard voltage is 9V-100V. Please use the power line which provided by the manufacturer. The red line is the positive. The black line is the negative. The negative should earth alone or link iron during installing. Do not connect it to other ground wire. And please make sure the device is powered on status. (Power button on down position)

Red Led light will flashing while device installed correctly, GSM blue led light and GPS Green led light will flashing around 1 minutes later after getting signal.

6.2 Usage of Device

Our GPS Tracker is used for motorcycle, electric-bike two wheels,electric-bike three wheels. As well as for car ,truck etc four wheels vehicle.

7. Message commends:

User can set different kinds of function commands via sending message, including check position, cut engine, etc., Below commands and punctuation marks must be putted under English status. All commands will get auto replies according to the message sent.

Note device with initial password 6666

NO	Features	Commands	Replies from device	Remarks
1	Add administrator No 1	#6666#AAD#1#Cell No#	ADD admin account 1 ok!	For example: #6666#AAD#1#15988888888#
2	Add administrator No 2	#6666#AAD#2#Cell No#	ADD admin account 2 ok!	Means administrator1 number is : 159888888888, can add 2 administrator total
3	Delete Administrator No 1	#6666#DAD#1#	Delete admin account 1 OK!	For example: #6666#DAD#1# for delet the administrator
4	Delete Administrator No 2	#6666#DAD#2#	Delete admin account 2 OK!	1 ;#6666#DAD#2# for delet the administrator 2
5	Cut engine	#6666#CF#	Fuel cut has already been completed,OK!	For example: #6666#CF# , only apply for administrator
6	Restore engine	#6666#OF#	Open fuel has already been completed,OK!	For example: #6666#OF# ,Start engine only apply for administrator.
7	Setting time distance in moving status	#6666#SMT#sendcon ds#	Set movement upload time,OK!	#6666#SMT#30# For example: #6666#SMT#10#. Here the unit is senconds 10 to 200s
8	Setting time distance in steady status	#6666#SST#minutes#	#6666#sst#3#ok!	For example: #6666#SST#3#, Here the unit is minutes

9	Setting sleep mode time	#6666#SLEEP#TIME#		For example: #6666#SLEEP#10# this mean setting sleep mode and every 10 minutes device will exit sleep mode and send a data to server , time rang:1-99999, 0=disable sleep mode
10	Active vibration alarm	#6666#SSA#levels#	Set alarm level, OK!	For example: #6666#SSA#1#. Here Levels, 1: most flexible 2: standard level 3. lowest level .
11	Cancel vibration alarm	#6666#CSA#	Close vibration Alarm, OK!	For example: #6666#CSA#, cancel vibration alarm
12	SMS Alarm	#6666#SMSA#1#		1= allow sms alarm 0=Disable sms alarm, For example: #6666#SMSA#1#
13	Call Alarm	#6666#CALLA#1#		1= allow call alarm 0=Disable call alarm
14	Re-start device	#6666#Reset#	Start Reset System, OK!	For example: #6666#RESET#, The device will restart after 8~18 mins. Device will not reply message to administrator again .
15	Set APN	#0613#sapr#apn name#user#password###		For example: #6666#sapr#CMNET##### if user name and password are blank, Or #6666#sapr#CMNET#AA#123456### ,# can not be missed

Simply Commands: In order to make the steps easy, below you can find our simply commands, the function is same as per above detailed commands. Remarks: SMS must be text under English status.

Features	Simple commands	Remarks:	Authority
Getting Location of longitude and latitude	1234	Reply with google links of longitude and latitude	Anybody
Engine engine	DY	Cut off the engine	Only administrator
	RELAY,1#		
Restore engine	KY	Restore the engine	Only administrator
	RELAY,0#		
View information	CS	Checking IMEI,IP, Etc,	Anybody
	PARAM#		
	STATUS#		
Re-start	CQ	Re-start the device	Anybody

Vibration alarm specifications:

If you need vibration alarm, please follow below instructions:

- 1) Add admin number: please use your mobile phone to send a SMS to the device according to the 1st command as above commands list(make sure to text the SMS under English status). After add your number as administrator, device will reply you a SMS with OK or failed.
- 2) Setting vibrate alert level: text a SMS to active vibration alarm and send to the device(make sure to text the SMS under English status), and set the vibration alert level, detailed please refer the 10th command as above commands list.
- 3) After finished above 2 steps, vibration alarm had been activated. As long as the car stopped for more than 1minute, if somebody gets in touch with the car and didnt turn on the ACC in 10seconds(ACC=0), the device will send SMS and call the administrator. If the ACC was turned on in 10seconds, the device will judge it as the car owner himself and will not alert the car owner. This is for not sending wrong vibration alert, active and close the vibration alarm smartly.

Sleeping Mode with power saving Specifications:

The sleeping mode had been activated and defaulted inside the device in the factory: After the car has switched off more than 5 minutes, the device will shut off all the led lights, turn off GPS module and goes to sleeping mode to save the power of the vehicle's battery. There are 2 methods to exit the sleeping mode:
1), Switch on the ACC, at this time , the green ACC cable is high level up, this will lead device exit sleeping mode. If ACC is always on high level up,(means ACC is always on) the device will not goes to sleeping mode.
2), Shake the device to make it exit from sleeping mode.

During the first time testing, it is better to connect the ACC wire to high level up to locate the GPS signal fast in the opening area as well as to avoid the device goes to sleeping mode and could not locate the GPS after 5 minutes. (note: please do not test in room as no GPS signal inside room). If client need to turn off the sleeping mode, please send SMS to the device #6666#SLEEP#0# to close this function.

8. Logging on platform to track devices via Internet globally

Platform Web domain:

If you are registered user already, you can logging in platform directly, or please contact with your distributor to open an account for you.

Please contact your distributor and get the platform user manual.

Please enter your user name and password to logging in.

9.Trouble shooting :

9.1 After installing it in the first time, if device can not get connected with platform server, at this time it is "logged off" status in platform. Please check the installation of device:

- 1) Check whether the connection of power-line is correct, please do not connect it with the car control line.
- 2) Check whether SIM card is installed correctly, please refer to the installation manual;
- 3) Check whether the power switch is toggled to "ON", the switch is in the left of the SIM card's slot.

- 4) Whether ACC ignition cable is connected, please turn on the ACC with key after it is connected.
- 5) Check the LEDs' status. In normal working status, the red LED is in solid bright or flashing; green LED and blue LED are both in solid bright.
- 6) Check whether GPS is located, if not, please drive to the open areas for positioning.

9.2 If it is "offline" status in platform:

First of all, check the three LED's status. If it is not convenient to check that, please check the SIM card status :

- 1) Call the SIM card number of the device to check whether you can get through;
- 2) Check whether the vehicle is in no GSM area, such as basement;
- 3) Check the GSM/GPS disconnection area, whether it is all disconnected or few of them disconnected, to make sure whether it is the fault of operator's internet.
- 4) Check whether your SIM card charge is overdue;
- 5) Check whether the SIM card supports GPRS;
- 6) Check the parameter setup, whether the device IMEI number, GPRS sending interval is correct;

9.3 If the device' GPS function is normal, but can not locate for a long time, please check whether the installation setup of device is correct:

- 1) Please make sure the GPS antenna face is up;
- 2) Please make sure there is no electromagnetic wave- absorbent object (metal) above the device, especially the thermal-protective coating on the windshield, it may affect the GPS reception of the device;

9.4 If GPS can not receive the signals normally (there is high building around to interfere with GPS reception), please drive to the open areas for positioning. Generally, it needs 1-2 minutes to receive the first coordinates.

9.5 If GSM can not receive the signals normally, please check whether SIM card is installed correctly or there is no GSM signal at the location you are, such as basement parking, please drive to a place covered by GSM signal reception.

9.6 When cellphone with special number receives tele- cutoff alarm sms, please make sure whether it is illegal wire cutoff, or the FUSE on power line is blown. If the FUSE in it is blown, please contact your distributor to exchange with the same model FUSE, after the internal trouble is shoot, it can be power on to work again.

FCC Radiation Exposure Statement:

This equipment complies with FCC radiation exposure limits set forth for an uncontrolled environment. This equipment should be installed and operated with minimum distance 20cm between the radiator & your body.

FCC Warning

This device complies with Part 15 of the FCC Rules. Operation is subject to the following two conditions:

(1) This device may not cause harmful interference, and (2) this device must accept any interference received, including interference that may cause undesired operation.

NOTE: Any changes or modifications to this unit not expressly approved by the party responsible for compliance could void the user's authority to operate the equipment.