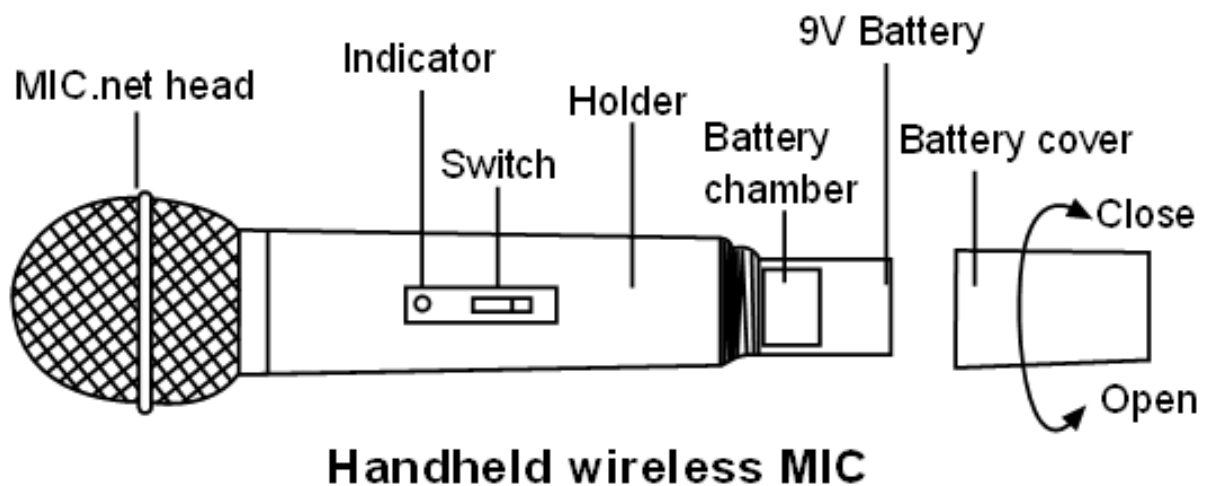


# Wireless Microphone Transmitter Model: X-011

## How to use the handheld wireless MIC

1. Insert a 9V battery by turning the rear battery compartment in a counter clockwise direction.
2. Slide the switch to ON position.
  - a. An LED Indicator will flash once, confirming the unit is now ready.
  - b. If the LED light up steadily, this indicates that the battery is already LOW, replace it with new one accordingly.
3. When the microphone is not in use for a long period of time, make sure to remove the battery to avoid leakage that may result to damage of the unit.



## **Technical data:**

1. Frequency range: VHF 174.2-215.8MHz
2. Transmitter power: 10.8dBm
3. Band width: no need for Fixed frequency
4. Modulation Mode: FM
5. Frequency span: no need for Fixed frequency

### Warning Statement

#### **§ 15.19 Labelling requirements.**

This device complies with Part 15 of the FCC Rules. Operation is subject to the condition that this device does not cause harmful interference.

#### **§ 15.21 Information to user.**

Any Changes or modifications not expressly approved by the party responsible for compliance could void the user's authority to operate the equipment.

#### **\* RF warning for Portable device:**

The device has been evaluated to meet general RF exposure requirement. The device can be used in portable exposure condition without restriction.