

Doc Title	: User's Guide	Revision	: 1.0
Model	: Motorola L70×CBT	Page(s)	: 1 of 40



User's Guide

L702CBT / L703CBT / L704CBT / L705CBT

DECT 6.0 Digital Cordless/Corded Phones with Bluetooth[®] Wireless Technology and Answering Machine

Warning

Use only the adapter and telephone line cord provided in the box.

Doc Title :	User's Guide	Revision :	1.0
Model :	Motorola L70×CBT	Page(s) :	2 of 40

Welcome to your new Motorola Phone!

Please retain your original dated sales receipt for your records. For warranty service of your Motorola product, you will need to provide a copy of your dated sales receipt to confirm warranty status. Registration is not required for warranty coverage.

For product-related questions, please call:

US and Canada: 1-888-331-3383
On the Web: www.motorola.com

- 200 name and number phonebook for cordless handset and corded base totally.
- Answering machine with up to 15 minutes digital recording time. *
- Caller ID shows you who is calling and includes details of the last 30 callers in a calls list for cordless handset, and 28 callers in a calls list for the corded base. **
- Register up to 5 cordless handsets to the corded base.
- Make internal calls, transfer external home calls, hold 3-way conversation between two internal callers and an external caller.

*The recording time includes the pre-recorded voice menu and outgoing announcements.

**You must subscribe to your network provider's Caller ID or Call Waiting service for these features to work.

Please note that only the corded phone operates during power outage (with limited functions).

Doc Title :	User's Guide	Revision :	1.0
Model :	Motorola L70×CBT	Page(s) :	3 of 40

This User's Guide provides you with all the information you need to get the most from your phone.

Before you make your first call you will need to set up your phone.

Follow the simple instructions in 'Getting Started', on the next few pages.

IMPORTANT

Use only the supplied telephone line cord.

Got everything?

- Cordless Handset
- Cordless Charger
- NiMH Rechargeable Battery Pack
- Power Adapter for the Cordless Charger
- Corded Base
- Corded Handset
- Power Adapter for the Corded Base
- Wall-mount Bracket
- Telephone Line Cords (one for connecting the corded base and handset)
- User's Guide
- Quick Start Guide

In multi-handset packs, you will find one or more additional cordless handsets, cordless chargers with power adapters, additional rechargeable battery packs and battery doors.

Doc Title	: User's Guide	Revision	: 1.0
Model	: Motorola L70×CBT	Page(s)	: 4 of 40

TABLE OF CONTENTS

1	<u>GETTING STARTED</u>	7
1.1	INSTALLING AND CHARGING THE CORDLESS HANDSET BATTERY PACK	7
1.2	INSTALLING THE CORDLESS CHARGER	8
1.3	CONNECTING THE CORDED BASE	8
1.4	WALL MOUNTING ON CORDED BASE	8
1.5	SETTING THE DISPLAY LANGUAGE	9
1.6	SETTING DATE AND TIME	9
2	<u>GETTING TO KNOW YOUR PHONE</u>	10
2.1	OVERVIEW OF YOUR CORDED BASE	10
2.2	CORDED BASE LCD DISPLAY	11
2.3	OVERVIEW OF YOUR CORDLESS HANDSET	12
2.4	CORDLESS HANDSET LCD DISPLAY	14
	<u>ENJOY YOUR CORDED BASE PHONE</u>	14
3	<u>BLUETOOTH®</u>	14
3.1	INTRODUCING BLUETOOTH	14
3.2	SETUP CELLULAR	15
3.3	PAIRED DEVICES	15
3.3.1	CONNECTING/REMOVING A PAIRED DEVICE	15
3.3.2	REPLACING A PAIRED DEVICE	16
3.4	ACTIVE DEVICES	16
3.4.1	ADDING AN ACTIVE DEVICE	17
3.4.2	CONNECTING/REMOVING AN ACTIVE DEVICE	17
3.4.3	REPLACING AN ACTIVE DEVICE	ERROR! BOOKMARK NOT DEFINED.
3.5	PHONEBOOK TRANSFER	17
4	<u>USING YOUR PHONE</u>	18
4.1	MAKING A HOME CALL USING YOUR LANDLINE	18
4.2	MAKING A CELLULAR CALL USING YOUR CORDED BASE PHONE	18
4.3	SPEED DIAL CALLING	18
4.4	ANSWERING A HOME CALL	18
4.5	ANSWERING A CELLULAR CALL	18
4.6	RECEIVING A CELLULAR CALL WHILE ON A HOME CALL	18
4.7	RECEIVING A HOME CALL WHILE ON A CELLULAR CALL	18
4.8	ENDING A HOME CALL	19
4.9	ENDING A CELLULAR CALL	19
4.10	ADJUSTING VOLUME	19
4.11	MUTING A CALL	ERROR! BOOKMARK NOT DEFINED.
4.12	DIALING FROM THE REDIAL LIST	19
4.13	DIALING FROM THE CALLS LIST	19
4.14	ADDING AN ENTRY TO THE PHONEBOOK	19
4.15	STORING A PHONEBOOK ENTRY AS A ONE TOUCH NUMBER	19
4.16	DIALING FROM THE PHONEBOOK	19

Doc Title :	User's Guide	Revision :	1.0
Model :	Motorola L70×CBT	Page(s) :	5 of 40

4.17 CALLER ID	20
4.17.1 CALLS LIST.....	20
4.17.2 VIEWING THE CALLS LIST.....	20
4.17.3 SAVING A NUMBER FROM THE CALLS LIST TO THE PHONEBOOK.....	20
4.17.4 DELETING A CALLS LIST ENTRY	20
4.17.5 DELETING THE ENTIRE CALLS LIST	21
4.18 PERSONAL SETTINGS	21
4.19 INTERCOM	21
4.19.1 CALLING ANOTHER CORDLESS HANDSET OR ALL HANDSETS	21
4.19.2 TRANSFERRING AN EXTERNAL HOME CALL TO ANOTHER CORDLESS HANDSET	21
4.19.3 THREE-PARTY CONFERENCE CALL	21
4.20 SETTING THE DIAL MODE	22
4.21 SETTING THE FLASH TIME	22
4.22 SETTING THE AREA CODE	22
4.23 RESETTING ALL SETTINGS	22
4.24 USING YOUR ANSWERING MACHINE	22
4.24.1 PLAYING MESSAGES	22
4.24.2 TURNING ON OR OFF THE ANSWERING MACHINE	23
4.24.3 SETTING THE ANNOUNCEMENT MODE.....	23
4.24.4 SETTING THE RINGS TO ANSWER	23
4.24.5 ANNOUNCEMENT	23
4.24.5.1 Recording the announcement.....	23
4.24.5.2 Playing the announcement	23
4.24.6 RECORDING A MEMO.....	23
4.24.7 CALL SCREENING ON/OFF.....	24
4.24.8 DELETING ALL OLD MESSAGES	24
4.24.9 REMOTE ACCESS	24
4.24.10 SETTING THE SECURITY CODE.....	24

ENJOY YOUR CORDLESS HANDSET **25**

5 BLUETOOTH® **25**

5.1 SETUP CELLULAR	25
5.2 PAIRED DEVICES	25
5.2.1 CONNECTING/REMOVING A PAIRED DEVICE.....	25
5.2.2 REPLACING A PAIRED DEVICE	26
5.3 ACTIVE DEVICES	26
5.3.1 ADDING AN ACTIVE DEVICE	26
5.3.2 CONNECTING/REMOVING AN ACTIVE DEVICE	27
5.3.3 REPLACING AN ACTIVE DEVICE.....	ERROR! BOOKMARK NOT DEFINED.

6 USING THE PHONE..... **27**

6.1 MAKING A HOME CALL USING YOUR LANDLINE	27
6.2 MAKING A CELLULAR CALL USING YOUR CORDLESS DECT HANDSET	27
6.3 SPEED DIAL CALLING	27
6.4 ANSWERING A HOME CALL	27
6.5 ANSWERING A CELLULAR CALL	27
6.6 RECEIVING A CELLULAR CALL WHILE ON A HOME CALL	27
6.7 RECEIVING A HOME CALL WHILE ON A CELLULAR CALL	28
6.8 ENDING A HOME CALL	28

Doc Title :	User's Guide	Revision :	1.0
Model :	Motorola L70×CBT	Page(s) :	6 of 40

6.9	ENDING A CELLULAR CALL	28
6.10	ADJUSTING VOLUME	28
6.11	MUTING A CALL	28
6.12	DIALING FROM THE REDIAL LIST	28
6.13	DIALING FROM THE CALLS LIST	28
6.14	ADDING AN ENTRY TO THE PHONEBOOK	28
6.15	STORING A PHONEBOOK ENTRY AS A ONE TOUCH NUMBER	29
6.16	DIALING FROM THE PHONEBOOK	29
6.17	CALLER ID	29
6.17.1	CALLS LIST	29
6.17.2	VIEWING THE CALLS LIST	29
6.17.3	SAVING A NUMBER FROM THE CALLS LIST TO THE PHONEBOOK	30
6.17.4	DELETING A CALLS LIST ENTRY	30
6.17.5	DELETING THE ENTIRE CALLS LIST	30
6.18	PERSONAL SETTINGS	30
6.19	INTERCOM	30
6.19.1	CALLING ANOTHER CORDLESS HANDSET OR CORDED BASE	31
6.19.2	TRANSFERRING AN EXTERNAL HOME CALL TO ANOTHER CORDLESS HANDSET OR CORDED BASE	31
6.19.3	THREE-PARTY CONFERENCE CALL	31
6.20	SETTING THE DIAL MODE	31
6.21	SETTING THE FLASH TIME	31
6.22	SETTING THE AREA CODE	31
6.23	REGISTRATION	32
6.23.1	REGISTERING A CORDLESS HANDSET	32
6.24	RESETTING ALL SETTINGS	32
6.25	USING YOUR ANSWERING MACHINE	32
6.25.1	PLAYING MESSAGES	32
6.25.2	TURNING ON OR OFF THE ANSWERING MACHINE	32
6.25.3	SETTING THE ANNOUNCEMENT MODE	32
6.25.4	SETTING THE RINGS TO ANSWER	32
6.25.5	ANNOUNCEMENT	33
6.25.5.1	Recording the announcement	33
6.25.5.2	Playing the announcement	33
6.25.6	RECORDING A MEMO	33
6.25.7	CALL SCREENING ON/OFF	33
6.25.8	DELETING ALL OLD MESSAGES	33
6.25.9	REMOTE ACCESS	34
6.25.10	SETTING THE SECURITY CODE	34
7	<u>HELP</u>	<u>34</u>
8	<u>GENERAL INFORMATION</u>	<u>35</u>

Doc Title :	User's Guide	Revision :	1.0
Model :	Motorola L70×CBT	Page(s) :	7 of 40

1 GETTING STARTED

WARNING

- Do not place your phone in the bathroom or other humid areas.

Location

When choosing a location for your new phone, here are some important guidelines you should consider:

- Avoid sources of noise and heat, such as motors, fluorescent lighting, microwave ovens, heating appliances and direct sunlight.
- Avoid areas of excessive dust, moisture, and low temperature.
- Avoid other cordless telephones or personal computers.
- Never install telephone wiring during a lightning storm.
- Never install telephone jacks in wet locations unless the jack is specifically designed for wet locations.
- Never touch non-insulated telephone wires or terminals unless the telephone line has been disconnected at the network interface.
- Use caution when installing or modifying telephone lines.

HANDSET RANGE

Optimal range is reached when there are no other electrical appliances working within the range area. Any obstruction between the corded base and cordless handset will also reduce the range significantly.

SIGNAL STRENGTH

When out of range of the corded base, the screen shows **OUT OF RANGE**. If you are on a call, the line will hang up. Move back within range of the corded base. The cordless handset will automatically re-connect to the corded base.

Setting up

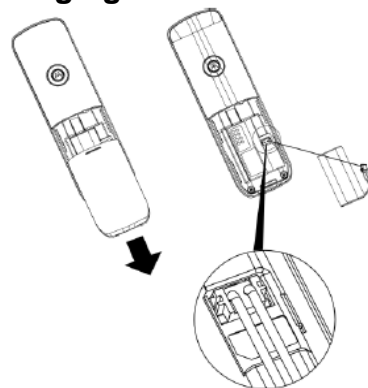
IMPORTANT

The corded base must be plugged into an electrical outlet at all times. Do not connect the telephone line cord into the telephone wall jack until the cordless handset is fully charged. Use only the adapter and telephone line cord supplied with the product.

WHICH POWER ADAPTER

The power adapter with the red crystal DC plug is for the corded base unit and the power adapter with the small round DC plug is for the cordless charger unit.

1.1 Installing and charging the cordless handset battery pack

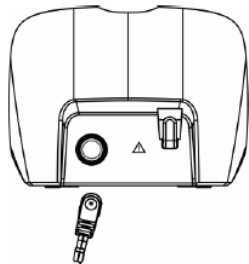


1. Slide off the battery compartment cover to remove it.
2. Place the supplied rechargeable battery pack in the battery compartment, and insert the plug of the battery pack into the socket, as shown above.
3. Slide the battery compartment cover back on.
4. Put the cordless handset on the cordless charger to charge for at least 24 hours. Once charging completed, the <Battery full icon> will indicate that the handset is fully charged.

Doc Title :	User's Guide	Revision :	1.0
Model :	Motorola L70×CBT	Page(s) :	8 of 40

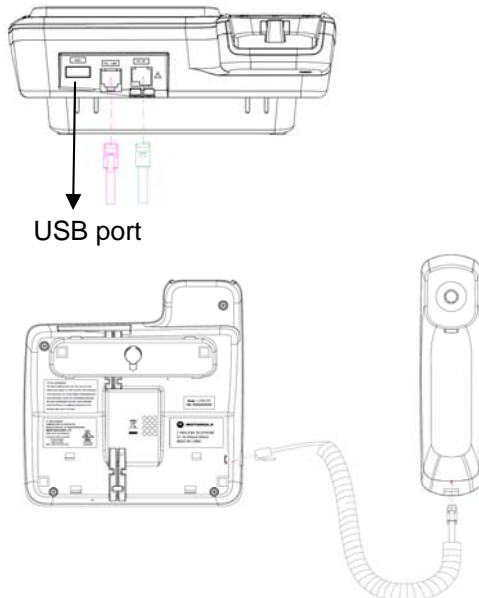
5. Use only the rechargeable battery pack provided with the product.

1.2 Installing the cordless charger



1. Insert the small round DC plug of the power adapter into the cordless charger.
2. Insert the other end of the power adapter into the wall jack.
3. Use only the supplied power adapter.

1.3 Connecting the corded base

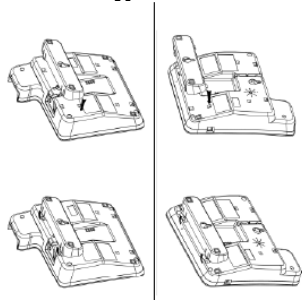


1. Connect the corded handset to the corded base with the supplied coiled line cord.
2. Insert the crystal DC plug of the power adapter and the telephone line cord into the corded base, as shown above. The power adapter with the small round DC plug is for the cordless charger. (only in multi-handset packs)
3. Insert the other end of the power adapter into a power outlet and the telephone line cord into a telephone wall jack.
4. Always use the telephone line cord provided in the box.
5. Use only the supplied power adapter.

NOTE

The USB port in the base unit is used to charge other device only.

1.4 Wall mounting on corded base



Doc Title :	User's Guide	Revision :	1.0
Model :	Motorola L70×CBT	Page(s) :	9 of 40

This phone can be mounted on any standard wall plate.

1. Insert the crystal DC plug of the power adapter and telephone line cord into the corded base, as shown above.
2. Snap the wall-mount bracket into the notches on the corded base's back.
3. Insert the other end of the power adapter into a power outlet and the telephone line cord into a telephone wall jack.
4. Align the mounting slots on the corded base with the mounting posts on the wall. Then push in and down until the phone is firmly seated.

1.5 Setting the display language

On the corded base:

1. Press <MENU> and then <+/-> to select SETTINGS.
2. Press <MENU> and then <+/-> to select LANGUAGE.
3. Press <MENU> and then <+/-> to select the desired language.
4. Press <MENU> to save the setting.

On the cordless handset:

1. Press <MENU> and then <VOL+> or <REDIAL/VOL-> to select SETUP HS.
2. Press <MENU> and then <VOL+> or <REDIAL/VOL-> to select LANGUAGE.
3. Press <MENU> and then <VOL+> or <REDIAL/VOL-> to select the desired language.
4. Press <MENU> to save the setting.

1.6 Setting date and time

On the corded base:

1. Press <MENU> to select DATE & TIME.
2. Press <MENU> and then <+/-> to change the year setting.
3. Press <MENU> and then <+/-> to change the date setting. Repeat to set the time continuously.
4. Press <+/-> to toggle AM/PM settings
5. Press <MENU> to save the settings.

On the cordless handset:

1. Press <MENU> to select DATE & TIME.
2. Press <MENU> and then use the keypad to edit the year and the date.
3. Press <VOL+> or <REDIAL/VOL-> or <PHONEBOOK> or <RIGHT/CALLS LIST> to move between the input fields YEAR and DATE.
4. Press <MENU> and then use the keypad to edit the time in 12HR format.
5. Press <VOL+> or <REDIAL/VOL-> to toggle AM/PM settings. And use <PHONEBOOK> or <RIGHT/CALLS LIST> to move the cursor to the target input field.
6. Press <MENU> to save the settings.

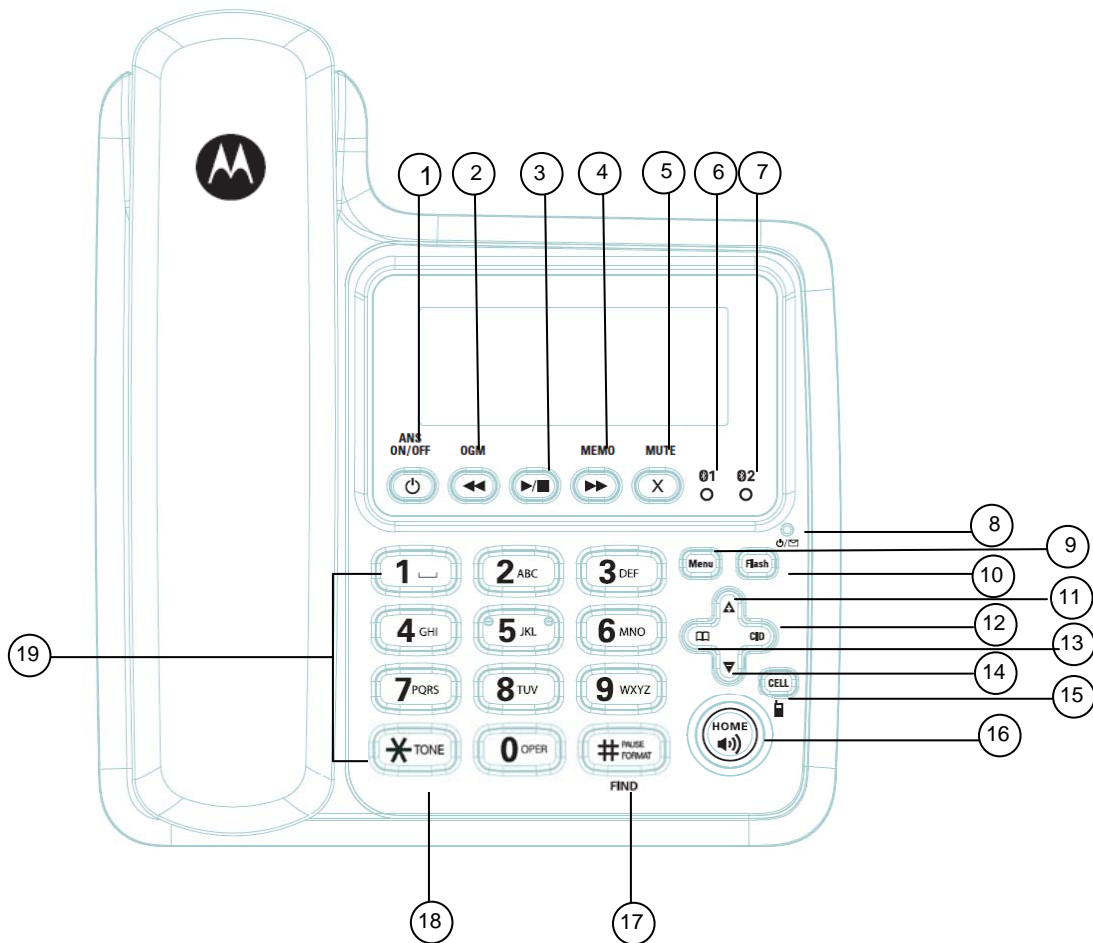
NOTE

If you have subscribed to your network provider's Caller ID service, date and time will be automatically set when a call is received.

Your phone is now ready for use.

2 GETTING TO KNOW YOUR PHONE

Overview of your corded base

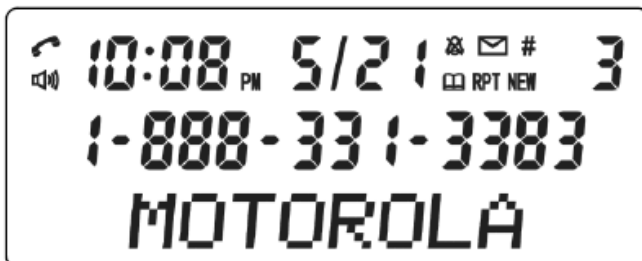


1	ANS ON/OFF a) In idle mode: Press to turn on or off the answering machine.
2	SKIP BACKWARD/OGM a) In idle mode: Press to play the current announcement of the current announcement mode. b) In idle mode: Press and hold to start recording a user outgoing message of the current announcement mode c) In answering machine message playing mode: Press to repeat the message from the beginning. Press twice to play the previous message.
3	PLAY/STOP a) In idle mode: Press to play the message(s) in answering machine b) In answering machine message playing mode: Press to stop message playback
4	SKIP FORWARD/MEMO a) In idle mode: Press and hold to hear a voice prompt for recording a memo and then start to record a memo. b) In answering machine message playing mode: Press to skip to play the next message
5	MUTE/CLEAR/BACK/X a) In menu/calls list/phonebook/redial list mode: Press to exit to the previous menu level. Press and hold to go back to idle screen. b) In pre-dial/editing mode: Press to delete one digit/character. Press and hold to delete all characters/digits. c) During a call: Press to mute/resume the call. d) In answering machine message playing mode: Press to delete the current message playback e) In outgoing message playing mode: Press to delete the current outgoing message playback (if applicable).
6	CELL 1 LED-BLUE a) Steadily on when Bluetooth device #1 is paired and connected to the base. b) Flashes when Bluetooth device #1 is in the pairing up process. c) Off when Bluetooth device #1 is disconnected.
7	CELL 2 LED-BLUE a) Steadily on when Bluetooth device #2 is paired and connected to the base. b) Flashes when Bluetooth device #2 is in the pairing up process. c) Off when Bluetooth device #2 is disconnected.
8	TAM ON/OFF LED a) Steadily on when answering machine is activated. b) Flashes when new answering machine message is received (even though answering machine is off). c) Off when answering machine is deactivated.








Doc Title :	User's Guide	Revision :	1.0
Model :	Motorola L70×CBT	Page(s) :	11 of 40

9	MENU/SELECT a) In idle mode: Press to access menu list. b) In menu/editing mode: Press to confirm and save the settings. c) During a home call: Press to transfer the call to another cordless handset d) In pre-dial: Press to save the entry to the phonebook. e) Calls list/phonebook/redial list: Press to go to sub-menus of the selected list respectively. f) In answering machine message playing mode: Press to stop the current answering machine message playback. g) In outgoing message playing mode: Press to stop the current outgoing message playback.
10	FLASH a) During a call: Press to switch to another call
11	SCROLL UP/VOLUME UP a) In menu mode: Press to scroll up. b) During a call: Press to increase the volume. c) Calls list/phonebook/redial list: Press to scroll up the list. d) In answering machine message playing mode: Press to increase the volume of answering machine message playback. e) In outgoing message playing mode: Press to increase the volume of outgoing message playback.
12	RIGHT/CALLS LIST a) In idle mode/pre-dial/during a call: Press to access calls list. b) In editing mode: Press to move the cursor to the right.
13	PHONEBOOK a) In idle/pre-dial/during a call: Press to access the phonebook. b) In editing mode: Press to move the cursor to the left.
14	SCROLL DOWN/VOLUME DOWN/REDIAL LIST a) In menu mode: Press to scroll down. b) In idle/pre-dial mode: Press to access redial list. c) During a call: Press to decrease the volume. d) Calls list/phonebook/redial list: Press to scroll down the list. e) In answering machine message playing mode: Press to decrease the volume of answering machine message playback. f) In outgoing message playing mode: Press to decrease the volume of outgoing message playback.
15	CELL a) In pre-dial/ calls list/phonebook/redial list: Press to make a cellular call. b) During cellular line ringing: Press to answer the cellular call with speakerphone/earpiece. c) During a cellular call: Press to end the cellular call.
16	HOME/SPEAKER a) In idle/pre-dial/ calls list/phonebook/redial list: Press to make a home call with speakerphone. b) During home line ringing: Press to answer the home call with speakerphone/earpiece. c) During a home call: Press to end the home call
17	#/PAUSE/FORMAT/FIND a) In idle mode: Press and hold to enter registration mode. b) In idle/pre-dial/number editing mode/during a call: Press to insert a #, press and hold to insert a pause (P). c) In calls list entry: Press to toggle the Caller ID display format among 7, 8, 10 and 11 digits when returning calls from Caller ID list.
18	*/TONE a) In pre-dial/ editing mode: Press to insert a "***". b) During a call: Press to switch from pulse to tone dialing temporarily if pulse mode was selected before. After the call has been ended, the dial mode will change back to pulse automatically.
19	ALPHANUMERIC KEYPAD a) In idle/pre-dial/editing mode/during a call: Press to enter characters/numbers. b) In idle mode: Press and hold to activate speed dial (from <key 1> to <key 9>).

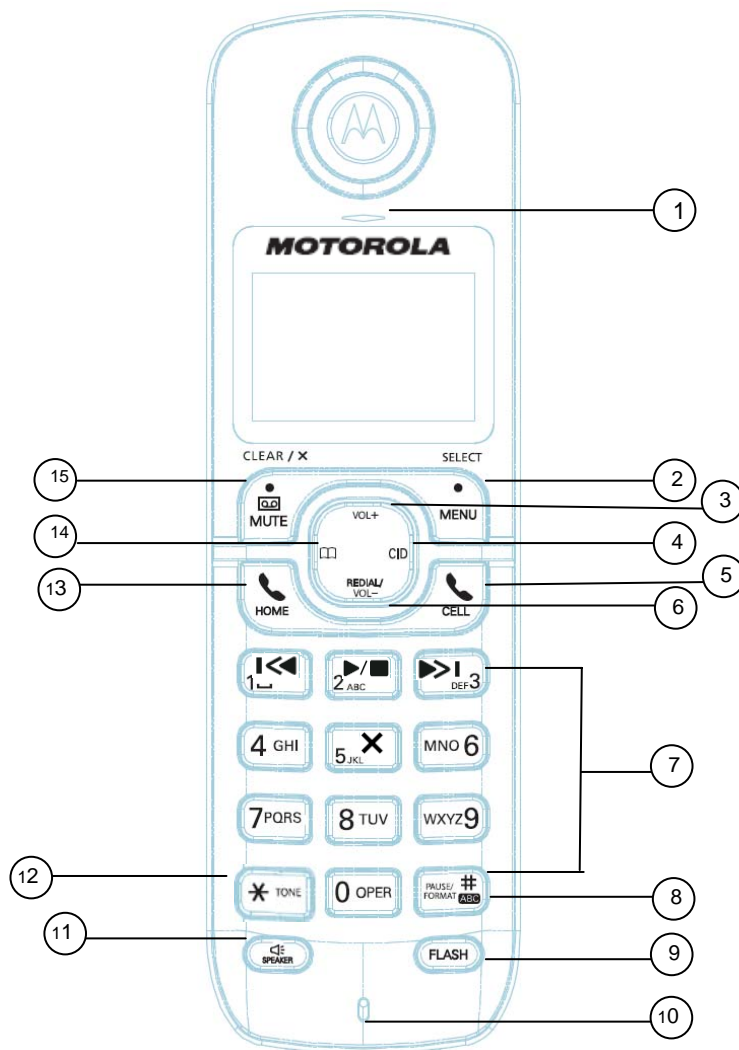
Corded base LCD display



Display icons

NEW	On when a new call has been received.
	On when the line is in use.
	On when you are in the phonebook menu.
RPT	On when there are repeat calls from the same number.
	On when the speakerphone is turned on.
#	Indicates together with the sequential number of the calls list or redial list entry.
	On when the ringer volume is turned off.
AM/PM	Indicates the time format. (Option: If default time format is 24 hour, AM/PM will not display).
	On when a new voice mail message is received, if a voice mail service is being used (For home line only).
	In idle mode, the current time is displayed. In Caller ID mode, the time of call is displayed.
	In idle mode the current date is displayed. In Caller ID mode, the date of the call is displayed.

Overview of your cordless handset



Doc Title :	User's Guide	Revision :	1.0
Model :	Motorola L70×CBT	Page(s) :	13 of 40

Get acquainted with the following 15 buttons on your handset and their multi-function tasks.

1	EARPIECE
2	MENU/ SELECT a) In idle mode: Press to access menu list. b) In menu/editing mode: Press to confirm and save the settings. c) During a home call: Press to transfer the call to another handset. d) In calls list entry: Press to save the entry to the phonebook. e) In phonebook entry: Press to go to sub-menus of phonebook.
3	SCROLL UP/VOLUME UP a) In menu mode: Press to scroll up. b) In editing mode: Press to move the cursor to the left. c) During a call: Press to increase the volume. d) Calls list/phonebook/redial list: Press to scroll up the list. e) In answering machine message playing mode: Press to increase the volume.
4	RIGHT/CALLS LIST a) In idle mode/during a call: Press to access calls list. b) In editing mode: Press to move the cursor to the right.
5	CELL a) In pre-dial mode: Press to make a cellular call. b) Calls list/phonebook/redial list: Press to make a cellular call to the selected entry. c) During cellular line ringing: Press to answer the cellular call. d) During a cellular call: Press to end the cellular call.
6	SCROLL DOWN/VOLUME DOWN/REDIAL LIST a) In idle mode: Press to access redial list. b) In menu mode: Press to scroll down. c) In editing mode: Press to move the cursor to the right. d) During a call: Press to decrease the volume. e) Calls list/phonebook/redial list: Press to scroll down the list. f) In answering machine message playing mode: press to decrease the volume.
7	ALPHANUMERIC KEYPAD a) In idle/pre-dial/editing mode/during a call: Press to enter characters/numbers. b) In idle mode: Press and hold to activate speed dial (from <key 1> to <key 9>).
8	#/ PAUSE/ ABC/ FORMAT a) In idle/pre-dial/number editing mode/during a call: Press to insert a "#", press and hold to insert a pause (P). b) In name editing mode: Toggle ABC/abc format. Press and hold to insert a space. c) In calls list entry: Press to toggle the Caller ID display format among 7, 8, 10 and 11 digits when returning calls from Caller ID list. d) In phonebook entry: If the number is more than 15 digits, press to view the next page of remaining digits.
9	FLASH a) In pre-dial/number editing mode: Press to insert a flash. b) During a call: Press to switch to another call.
10	MICROPHONE
11	SPEAKER a) In idle/pre-dial mode: Press to make a home call with speakerphone. b) During a call: Press to toggle between the speakerphone and the earpiece. c) Calls list/phonebook/redial list: Press to make a home call to the selected entry with speakerphone. d) During ringing: Press to answer a call with speakerphone. e) In answering machine message playing mode: Press to toggle the message playback with earpiece/speakerphone
12	*/ TONE a) In idle/pre-dial/editing mode: Press to insert a "*" . b) During a call: Press to switch from pulse to tone dialing temporarily if pulse mode was selected before. After the call has been ended, the dial mode will change back to pulse automatically. c) In phonebook entry: If the number is more than 15 digits, press to view the previous page of remaining digits.
13	HOME a) In idle/pre-dial mode: Press to make a home call with earpiece. b) Calls list/phonebook/redial list: Press to make a home call to the selected entry with earpiece. c) During home line ringing: Press to answer the home call. d) During a home call: Press to end the home call.
14	PHONEBOOK a) In idle mode/during a call: Press to access the phonebook. b) In editing mode: Press to move the cursor to the left.
15	ANSWERING MACHINE/ MUTE/ CLEAR/ BACK/ X a) In idle mode: Press to play message from the answering machine. b) In menu mode/calls list/phonebook: Press to exit to the previous menu level. c) In menu/pre-dial mode/calls list/phonebook: Press and hold to go back to idle screen. d) In pre-dial/editing mode: Press to delete one character/digit. e) In pre-dial/editing mode: Press and hold to delete all characters/digits. f) During a call: Press to mute/resume the call. g) In answering machine message playing mode: Press to delete the current message playback.

Cordless handset LCD display



Display icons

	On when the speakerphone is turned on.
	On when the answering machine is turned on. Flashes when a new answering machine message is received.
NEW	On when a new call has been received.
	On when the ringer volume is turned off.
	On when a new voice mail message is received, if a voice mail service is being used (For home line only).
MUTE	On when a call is muted.
	Full battery power level.
	2/3 battery power level.
	1/3 battery power level.
	Flashes when low battery level is detected and the handset needs to be charged.
	Internal bars cycling indicates the battery is charging.
	In idle mode, the current time is displayed. In Caller ID mode, the time of call is displayed.
	On when the Home line is in use. Flashes when the Home line is put on hold.
	On when the Cellular line is in use. Flashes when the Cellular line is put on hold.
	On when the Bluetooth feature is activated.
	On when Bluetooth device 1 or 2 is connected with the telephone base.
	In idle mode the current date is displayed. In Caller ID mode, the date of the call is displayed.

ENJOY YOUR CORDED BASE PHONE

3 BLUETOOTH[®]

3.1 Introducing Bluetooth

Your new telephone system with Bluetooth wireless technology has the following features:

- Pairing a Bluetooth enabled mobile phone with the telephone base. Up to four Bluetooth enabled mobile phones can be paired up and connected.
- Connecting a Bluetooth enabled mobile phone to make and receive CELLULAR calls. Up to two mobile phones can be connected but only one of them can be used at a time.
- Making and receiving calls using your Bluetooth enabled mobile phone plan while benefiting from the ease and comfort of your home telephone system.

Doc Title :	User's Guide	Revision :	1.0
Model :	Motorola L70×CBT	Page(s) :	15 of 40

Glossary of terms

Below are some terms used in this User's Guide to help you become familiar with using your Bluetooth devices and your new telephone system.

Bluetooth mobile phone - Refers to a Bluetooth enabled mobile telephone.

CELLULAR line - The communications service provided through your Bluetooth enabled mobile telephone.

HOME line - Your conventional telephone land line.

Pairing - This refers to the process of two Bluetooth devices registering device information with each other. The telephone base must be paired with a Bluetooth enabled mobile phone before the Bluetooth device can be used.

IMPORTANT INFORMATION

- Refer to the User's Guide of your mobile phone for more information about its Bluetooth function.
- Make sure that your Bluetooth enabled mobile phone is between one to twelve feet away from the telephone base in order to maintain a clear and consistent connection among your Bluetooth mobile phone, telephone base and cell tower.
- Make sure that your Bluetooth enabled mobile phone has sufficient signal strength. You may need to move the Bluetooth enabled mobile phone and telephone base to a location where the cellular signal may be stronger.
- Charge your Bluetooth mobile phone while it is connected to the telephone base because your mobile phone's battery will discharge faster while it is connected wirelessly to the telephone base.
- Monitor your mobile phone's usage because airtime is deducted from your cellular plan for the duration of the CELLULAR calls.

3.2 Setup Cellular

To pair and connect a Bluetooth enabled mobile phone, place your mobile phone near the corded base phone.

1. Press <MENU> and then <+/-> to select BLUETOOTH.
2. Press <MENU> and then <+/-> to select SETUP CELL.
3. Press <MENU> and display will show CELL READY?

NOTE

If there are already four mobile phones paired up:

- 1) The corded base displays 4 CELLS MAX., and then REPLACE?
 - 2) Press <MENU> and then <+/-> to select a device on the paired list to be replaced.
 - 3) Press <Menu> and REMOVED displays, and then CELL READY?
4. Press <MENU> and display will show DISCOVERABLE. The Bluetooth feature will be activated.
 5. Using your Bluetooth enabled mobile phone, turn on the Bluetooth feature and search for a new device.
 6. Once your Bluetooth enabled mobile phone has found the **Motorola L702CBT / L703CBT / L704CBT / L705CBT** telephone, select it.
 7. Using your Bluetooth enabled mobile phone, enter the PIN code of the telephone (the default PIN code is 0000) to continue the pairing process.
 8. Pairing will be confirmed when you hear a tone and the <Bluetooth icon> and <device #1 icon> / <#2 icon> appear on the cordless handset. The corded base displays COMPLETED.

Refer to the User's Guide of your Bluetooth enabled mobile phone to learn how to search for or add new Bluetooth devices.

NOTE

- Paired device(s) will be connected automatically and stored into the paired devices list and the active devices list.
- When a device is successfully connected, the corresponding <device #1 icon> or <#2 icon> will be displayed.
- If you would like to pair up another Bluetooth device, please repeat the steps as above.

3.3 Paired devices

3.3.1 Connecting/removing a paired device

The cellular(s) paired up will be displayed in the paired devices list, no matter whether it(they) is(are) connected or not. You can choose to connect or remove the cellular from this menu.

1. Press <MENU> and then <+/-> to select BLUETOOTH.
2. Press <MENU> and then <+/-> to select PAIRED LIST.

Doc Title :	User's Guide	Revision :	1.0
Model :	Motorola L70×CBT	Page(s) :	16 of 40

3. Press <MENU> and then display will show the Cellular name(s) of paired device(s).

NOTE

Display will show NO PAIRED if there is no device paired up.

4. Press <+/-> to select the desired cellular device.

For an active device (shown in active devices list) and connected:

5. Press <MENU> and corded base displays REMOVE?

6. Press <MENU> to confirm. The corded base displays REMOVED.

For an active device (shown in active devices list) but not connected:

5. Press <MENU> and then <+/-> to select CONNECT or REMOVE.

If you select CONNECT:

Press <MENU> and the telephone will start to connect the selected cellular device.

If you select REMOVE:

Follow the steps as above.

For an inactive device (not shown in active devices list) and there is still free slot in active devices list:

5. Press <MENU> and then <+/-> to select ADD ACTIVE or REMOVE

If you select ADD ACTIVE:

Press <MENU> and display will show DEVICE ADDED, and then the telephone will start to connect the selected cellular device.

If you select REMOVE:

Follow the steps as above.

For an inactive device (not shown in active devices list) but there is no free slot in active devices list (already two active devices):

5. Press <MENU> and then <+/-> to select REPLACE or REMOVE.

If you select REPLACE:

6. Press <MENU> and then <+/-> to select a device on the active list to be replaced.

7. Press <MENU> and display will show DEVICE ADDED, and then the telephone will start to connect the selected cellular device.

If you select REMOVE:

Follow the steps as above.

NOTE

- When the connected cellular is removed, the corresponding <device #1 icon> or <#2 icon> will be off.
- When the disconnected cellular is connected, the corresponding <device #1 icon> or <#2 icon> will be on.
- When the cellular is removed, the device name will be removed and EMPTY will be displayed instead in the paired devices list.

3.3.2 Replacing a paired device

If you have already paired up four Bluetooth enabled mobile devices, you will need to replace one of them if you would like to pair up another device. Follow the steps below to replace and pair up a new device.

1. Press <MENU> and then <+/-> to select BLUETOOTH.

2. Press <MENU> and then <+/-> to select SETUP CELL.

3. Display will show 4 CELLS MAX., and then REPLACE?

4. Press <MENU> to confirm. Display will show the four Cellular names of the paired devices.

5. Press <+/-> to select the cellular device you would like to replace.

6. Press <MENU> to confirm. Display will show REMOVED, and then CELLULAR READY?

7. Refer to section 3.2 to proceed with the next steps.

NOTE

When pairing up new cellular, the connected cellular will be disabled temporarily.

3.4 Active devices

Only devices on the active devices list can establish a Bluetooth connection with the telephone base. Although two paired devices can be connected to the telephone base, only one Bluetooth mobile phone can be on a call at a time.

Doc Title :	User's Guide	Revision :	1.0
Model :	Motorola L70×CBT	Page(s) :	17 of 40

NOTE

When adding, removing, or replacing a Bluetooth enabled mobile device on the active devices list, all connected devices will be disabled temporarily until the procedure is completed.

3.4.1 Adding an active device

You can have a maximum of two devices on the active devices list.

1. Press <MENU> and then <+/-> to select BLUETOOTH.
2. Press <MENU> and then <+/-> to select ACTIVE LIST.
3. Press <MENU> and then <+/-> to select empty position.
4. Press <MENU>. The display will show ADD DEVICE?

NOTE

Display will show NO PAIRED if there is no device paired up.

If one paired device has already been set as an active device and shown in the active devices list, display will show PAIR 1 MORE.

5. Press <MENU> and then <+/-> to select a desired device from the paired devices list.
6. Press <MENU>. The corded base displays DEVICE ADDED and starts to connect the selected cellular device.
7. Depending on your mobile phone settings, you may need to press a key on your mobile phone to confirm the connection. When you successfully add and connect an active device, the corded base displays CONNECTED. And cellular name will be displayed in the active devices list.

3.4.2 Connecting/removing an active device

While in the active devices menu, you can choose to connect or remove the cellular from this menu.

1. Press <MENU> and then <+/-> to select BLUETOOTH.
2. Press <MENU> and then <+/-> to select ACTIVE LIST.
3. Press <MENU> and then <+/-> to select a desired device when necessary.

NOTE

For the cellular device that is not connected:

4. Press <MENU> and then <+/-> to select CONNECT or REMOVE.

If you select CONNECT:

5. Press <MENU> and the telephone starts to connect the selected cellular device.

If you select REMOVE:

5. Press <MENU> and corded base displays REMOVE?
6. Press <MENU> to confirm and the corded base displays REMOVED.

NOTE

For the connected cellular device:

4. Press <MENU> and corded base displays REMOVE?
5. Press <MENU> to confirm. The corded base displays REMOVED.

NOTE

- If the device(s) is (are) connected, the corresponding <device #1 icon> or <#2 icon> will be displayed. Or else, only the Bluetooth icon will be displayed.
- Even though the active device is removed from the active devices list, it is still on the paired devices list.

3.5 Phonebook transfer

The telephone system can receive phonebook entries sent from your Bluetooth enabled mobile phone which is paired up and connected to the base unit.

Phonebook transfer operates only when the telephone system is in idle mode.

When receiving entries from Bluetooth enabled mobile phone, the corded base will display ##### RECEIVING PB...(##### refers to the counter for the number of entries downloaded), and then ##### PB RECEIVED (##### refers to the total number of entries downloaded successfully) after phonebook transfer is completed.

NOTE

- After the phonebook transfer is completed, all received entries will be stored into the phonebook list like the phonebook entries created in the telephone system.

Doc Title :	User's Guide	Revision :	1.0
Model :	Motorola L70×CBT	Page(s) :	18 of 40

- If the phonebook capacity is full during the transferring process, the phonebook transfer will be ended automatically. The corded base will display MEMORY FULL, and then ##### PB RECEIVED (##### refers to the total number of entries downloaded successfully).

4 USING YOUR PHONE

4.1 Making a home call using your landline

1. Enter the phone number and pick up the corded handset or press <HOME/SPEAKER> on corded base to dial the phone number.

4.2 Making a cellular call using your corded base phone

If there is only one Bluetooth enabled mobile phone paired up and connected,

1. Enter the phone number, and then press <CELL> to dial out.

If there are two Bluetooth enabled mobile phones paired up and connected,

1. Enter the phone number, press <CELL> and then <+/-> to select the desired cellular device.
2. Press <MENU> or <CELL> to dial out.

NOTE

If the cellular device is paired up but not connected, you should connect the cellular device before making an external cellular call.

4.3 Speed dial calling

1. In idle mode, press and hold a key from <1> to <9> until the number is displayed and dialed.

4.4 Answering a home call

1. Pick up the corded handset or press <HOME/SPEAKER> on corded base to answer the incoming home call.

4.5 Answering a cellular call

1. Pick up the corded handset or press <CELL> on the corded base to answer the incoming cellular call.

4.6 Receiving a cellular call while on a home call

A short beep during a HOME call indicates that there is an incoming CELLULAR call and the screen will display the caller ID.

To answer the incoming cellular call:

- Press <CELL> on the corded base. The home call will be placed on hold automatically and CELL IN USE and HOME ON HOLD will display on the screen alternately.

To swap the line to a home call:

- While talking on a cellular call, press <HOME/SPEAKER> on the corded base to swap to the home call. The cellular call will be placed on hold automatically and HOME IN LINE and CELL ON HOLD will display on the screen alternately.

To end the cellular call:

- Put the corded handset on the corded base cradle.

4.7 Receiving a home call while on a cellular call

A short beep during a CELLULAR call indicates that there is an incoming HOME call and the screen will display the caller ID.

To answer the incoming home call:

- Press <HOME/SPEAKER> on the corded base. The cellular line call will be placed on hold automatically and HOME IN LINE and CELL ON HOLD will display on the screen alternately.

To swap the line to a cellular call:

- While talking on a home call, press <CELL> on the corded base to swap to the cellular call. The home call will be placed on hold automatically and CELL IN USE and HOME ON HOLD will display on the screen alternately.

To end the home call:

- Put the corded handset on the corded base cradle.

4.8 Conference home and cellular calls

When you have calls established on the home and cellular lines, you can create a 3-way conference call.

To conference both home and cellular line calls:

Doc Title :	User's Guide	Revision :	1.0
Model :	Motorola L70×CBT	Page(s) :	19 of 40

- Press <MENU> on the corded base to establish the conference call.

To end a conference call:

- Press <HOME/SPEAKER> or put the corded handset on the cradle to end the conference call.

4.9 Ending a home call

1. During a home call, press <HOME/SPEAKER> or put the corded handset on the corded base cradle.

4.10 Ending a cellular call

1. During a cellular call, press <CELL> or put the corded handset on the corded base cradle.

4.11 Adjusting volume

1. During a call, press <+/-> to adjust the volume.

4.12 Dialing from the redial list

1. Press <-> and then <+/-> to scroll and select the entry you want to redial.
2. Pick up the corded handset or press <HOME/SPEAKER> to dial the number from the home line.
OR
2. Press <CELL> to dial the number from the cellular line.

4.13 Dialing from the calls list

1. Press <RIGHT/CALLS LIST> and then <+/-> to scroll and select the entry you want to dial.
2. Press <#/PAUSE/FORMAT> to toggle the format of the dialing number.
3. Pick up the corded handset or press <HOME/SPEAKER> to dial the number from the home line.
OR
3. Press <CELL> to dial the number from the cellular line.

4.14 Muting a call

1. During a call, press <MUTE> to mute the microphone and "**MUTED**" will be displayed on the screen. You can talk to someone else in the room without your caller hearing you.
2. Press <MUTE> again to resume the microphone.

4.15 Adding an entry to the phonebook

1. Press <MENU> and then <+/-> to scroll and select PHONEBOOK.
2. Press <MENU> and then <+/-> to scroll and select ADD.
3. Press <MENU> and then enter the name.
4. Press <MENU> and then enter the number.
5. Press <MENU> to save the entry.

NOTE

- Numbers can be up to 24 digits long and names up to 12 characters long. Entries are stored in alphabetical order.
- Up to 200 phonebook entries can be stored into the base, including the entries created in the base/handset and entries received from Bluetooth enabled mobile phone.

4.16 Storing a phonebook entry as a one touch number

1. Press <MENU> and then <+/-> to scroll and select PHONEBOOK.
2. Press <MENU> and then <+/-> to select SPEED DIAL.
3. Press <MENU> and then <+/-> to select the speed dial key from <KEY 1> to <KEY 9>.
4. Press <MENU> and then <+/-> to scroll to the entry you want.
5. Press <MENU> to save the setting.

4.17 Dialing from the phonebook

1. Press <PHONEBOOK> and then <+/-> to scroll and select the entry you want to dial. Or press <MENU> to access phonebook from menu options.
2. Pick up the corded handset or press <HOME/SPEAKER> to dial the number from the home line.
OR
2. Press <CELL> to dial the number from the cellular line.

Doc Title :	User's Guide	Revision :	1.0
Model :	Motorola L70×CBT	Page(s) :	20 of 40

TIPS

Instead of scrolling to browse the phonebook entries, press the numeric key corresponding to the first letter of the entry you wish to locate. For example, pressing <KEY 2> will show the entries starting with A. Pressing <KEY 2> again will show the entries starting with B, etc.

4.18 Caller ID

If you have subscribed to Caller ID service, and provided the identity of the caller is not withheld, the number of the caller will be displayed together with the date and time of the call (if provided by the network).

NOTE

- If the telephone number is not available for incoming calls, the handset will display UNAVAILABLE.
- If the incoming call is from a withheld telephone number, the handset will display PRIVATE.
- Information about incoming calls will vary by country and network operator. Some operators may charge the subscription for their Caller ID service.

4.18.1 Calls List

The calls list contains details of missed and received calls. Details include the date and time of the call. Entries are displayed in chronological order with the most recent call at the top of the list.

NOTE

- When the calls list is full, a new call will replace the oldest one in the list.
- Details of up to 28 calls may be stored in the corded base.
- If you receive more than one call from the same number, only the most recent call is stored in the calls list.

When you have missed calls (incoming calls that you have not answered), the <NEW icon> will be displayed on the screen of the corded base and all cordless handsets registered to the base. If one handset is used to view the calls list, the <NEW icon> on the other cordless handset will remain on (for multi-pack use only).

4.18.2 Viewing the calls list

1. Press <RIGHT/CALLS LIST> to enter the calls list.
2. Press <+/-> to browse the calls list.

NOTE

- When reviewing an entry from the calls list, press <#/PAUSE/FORMAT/FIND> repeatedly to display the number in different formats.

For example, if a caller number is displayed as 888-331-3383, the various formats will be:

331-3383
1-331-3383
888-331-3383
1-888-331-3383

You may choose the desired number format for local or long distance numbers before dialing or saving it into the phonebook.

- The <NEW icon> is removed once the new call has been viewed.

4.18.3 Saving a number from the calls list to the phonebook

1. Press <RIGHT/CALLS LIST> to enter the calls list.
2. Press <+/-> to select the entry you want.
3. Press <MENU> to select SAVE TO PB.
4. Press <MENU> and then enter the name if desired.
5. Press <MENU> and then edit the number if desired.
6. Press <MENU> to save the entry.

4.18.4 Deleting a calls list entry

1. Press <RIGHT/CALLS LIST> to enter the calls list.
2. Press <+/-> to scroll to the entry you want.
3. Press <MENU> and then <+/-> to select DELETE.
4. Press <MENU> to confirm and the entry will be deleted.

Doc Title :	User's Guide	Revision :	1.0
Model :	Motorola L70×CBT	Page(s) :	21 of 40

4.18.5 Deleting the entire calls list

1. Press <RIGHT/CALLS LIST> to enter the calls list.
2. Press <MENU> and then <+/-> to select DELETE ALL.
3. Press <MENU> and then DELETE ALL? will be displayed.
4. Press <MENU> to confirm. All entries will be deleted.

NOTE

You need to review a call before you delete the record from the calls list.

4.19 Personal Settings

Menu Map

MAIN MENU	DATE & TIME	PHONEBOOK	INTERCOM	RING SETUP	SETTINGS	BLUETOOTH	ANS. MACHINE	RESET
SUB MENU	YEAR DATE TIME	ADD VIEW EDIT DELETE DELETE ALL PB CAPACITY SPEED DIAL		MELODY VOLUME KEY TONE	DIAL MODE FLASH TIME AREA CODE LANGUAGE	SETUP CELL ACTIVE LIST PAIRED LIST	ANSWERER ON (if answering machine is off) Or ANSWERER OFF (if answering machine is on) ANSWER MODE RINGS TO ANS ANNOUNCEMENT RECORD MEMO BS SCREENING DEL ALL OLD REMOTE ACC. REMOTE CODE	CLEAR VMAIL ALL SETTING S

1. Press <MENU>.
2. Press <+/-> to scroll through the menu.
3. Press <MENU> to open sub-menus and/or save settings.
Press <MUTE/CLEAR/BACK/×/FIND> to go back to the previous menu level or cancel an action.

If you do not press any button on the corded base for 30 seconds, the display will automatically return to standby.

4.20 Intercom

This feature allows you to make internal calls, transfer external home calls between the corded base and cordless handset or other cordless handset extensions, and use the conference option.

NOTE

Cellular call cannot be transferred.

4.20.1 Calling another cordless handset or all handsets

1. Press <MENU> and then <+/-> to select INTERCOM.
2. Press <MENU> and then <+/-> to select the cordless handset you want to call or select ALL HANDSETS.
3. Press <MENU> to call the cordless handset or all handsets.
4. Put the corded handset on the base cradle, or press<HOME/SPEAKER> if you are in handsfree mode to hang up.

NOTE

If the cordless handset is not within the valid operation range, this function may not be available. During an intercom call, you will hear an alert tone if there is an incoming external call. You need to hang up the intercom call before answering the incoming external call.

4.20.2 Transferring an external home call to another cordless handset

1. During an external home call, press <MENU>.Your call will be put on hold.
2. Press <+/-> to select the cordless handset you want to call.
3. Press <MENU> to call the cordless handset.
4. When the cordless handset answers by pressing<HOME> or <SPEAKER>, put the corded handset on the base cradle or press <HOME/SPEAKER> on the corded base to transfer the call. If the cordless handset does not answer, press <MUTE/CLEAR/BACK/X /FIND> to talk to your caller again.

4.20.3 Three-party conference call

1. During an external home call, press <MENU>. Your call will be put on hold.
2. Press <+/-> to select the cordless handset you want to call.
3. Press <MENU> to call the cordless handset.
4. When the cordless handset answers the intercom call, press <MENU> on the corded base to join the

conference call.

- Press <HOME/SPEAKER> on the corded base or put the corded handset on the base cradle to end a three-party conference call and leave the cordless handset engaged with the caller.

4.21 Setting the dial mode

The default dialing mode is suitable for your country and network operator. It is unlikely that you should need to change this setting unless advised to do so.

- Press <MENU> and then <+/-> to select SETTINGS.
- Press <MENU> and then <+/-> to select DIAL MODE.
- Press <MENU> and <+/-> to select TONE or PULSE.
- Press <MENU> to save the setting.

NOTE

If pulse mode is selected, press <*/TONE> to switch from pulse to tone dialing temporarily when dialing out. After the call is ended, the dial mode will change back to pulse automatically.

4.22 Setting the flash time

The default flash time is suitable for your country and network operator. It is unlikely that you should need to change this setting unless advised to do so.

- Press <MENU> and then <+/-> to select SETTINGS.
- Press <MENU> and then <+/-> to select FLASH TIME.
- Press <MENU> and then <+/-> to the flash time you want. (8 options are available: 90MS, 100MS, 110MS, 250MS, 300MS, 400MS, 600MS, and 700MS)
- Press <MENU> to save the setting.

4.23 Setting the area code

- Press <MENU> and then <+/-> to select SETTINGS.
- Press <MENU> and then <+/-> to select AREA CODE.
- Press <MENU> and enter the area code.
- Press <MENU> to save the setting.

4.24 Resetting all settings

- Press <MENU> and then <+/-> to select RESET.
- Press <MENU> and then <+/-> to select ALL SETTINGS.
- Press <MENU> to select YES. All personalized settings will be reset to default.

NOTE







All of your phonebook entries, calls list and redial list will remain unchanged after resetting.

4.25 Using your answering machine

4.25.1 Playing messages

- Press <PLAY/STOP> on the corded base from idle mode. New messages will be played followed by any older messages.

- During message playback, press the keys below on the corded base to perform the following functions:

	Press to repeat the current message from the beginning. Press twice to play the previous message.
	Press to stop the current message playback.
	Press to skip to play the next message.
	Press to delete the current message and the next message will be played.
	Press to increase the volume.
	Press to decrease the volume.

NOTE

When you are on either a cellular call or a home call, the answering system will not answer the second incoming call.

Doc Title :	User's Guide	Revision :	1.0
Model :	Motorola L70×CBT	Page(s) :	23 of 40

4.25.2 Turning on or off the answering machine

1. Press <MENU> and then <+/-> to select ANS. MACHINE.
 2. Press <MENU> and <+/-> to select ANSWERER ON or ANSWERER OFF. If the answering machine is turned on originally, ANSWERER OFF will be displayed. If the answering machine is turned off originally, ANSWERER ON will be displayed.
 3. Press <MENU> to confirm the setting.
- OR
3. Press <ANS. ON/OFF> to toggle between answering machine on and answering machine off.

4.25.3 Setting the announcement mode

1. Press <MENU> and then <+/-> to select ANS. MACHINE.
2. Press <MENU> and then <+/-> to select ANSWER MODE.
3. Press <MENU> and then <+/-> to select the announcement modes:
 - ANNC & REC invites your callers to leave a message.
 - ANNC ONLY lets callers hear your announcement but they cannot leave a message.
4. Press <MENU> to save the setting.

4.25.4 Setting the rings to answer

1. Press <MENU> and then <+/-> to select ANS. MACHINE.
2. Press <MENU> and then <+/-> to select RINGS TO ANS.
3. Press <MENU> and then <+/-> to select the rings to answer. (4 options are available: TOLL SAVER, 3 RINGS, 4 RINGS, and 5 RINGS).
4. Press <MENU> to save the setting.

NOTE

If TOLL SAVER setting is selected, the answering machine will pick up after three rings if there are new messages, and after five rings if there is no message.

4.25.5 Announcement

This is the message your callers hear on the answering machine. There are two pre-recorded outgoing messages, or you can record your own message.

4.25.5.1 Recording the announcement

1. Press <MENU> and then <+/-> to select ANS. MACHINE.
2. Press <MENU> and then <+/-> to select ANNOUNCEMENT.
3. Press <MENU> to select RECORD.
4. Press <MENU> and then <+/-> to select the answer mode ANNC & REC or ANNC ONLY.
5. Press <MENU> to start recording after the beep.
6. Press <MENU> again to stop recording and save the message. The just saved message is played automatically.

NOTE

You can also record the announcement by pressing and holding <Skip Backward/OGM> to start recording after a beep sound is heard. Press <MENU> to stop recording and save the message.

NOTE

When playing the recorded message, press <MUTE/CLEAR/BACK/X/FIND> to delete it and the pre-recorded message will be set automatically.

4.25.5.2 Playing the announcement

1. Press <MENU> and then <+/-> to select ANS. MACHINE.
2. Press <MENU> and then <+/-> to select ANNOUNCEMENT.
3. Press <MENU> and then <+/-> to select PLAYBACK.
4. Press <MENU> and then <+/-> to select the answer mode ANNC & REC or ANNC ONLY.
5. Press <MENU> and the message will be played.

4.25.6 Recording a memo

You can record a memo which is stored in your answering machine and played back like a normal message.

1. Press <MENU> and then <+/-> to select ANS. MACHINE.

Doc Title :	User's Guide	Revision :	1.0
Model :	Motorola L70×CBT	Page(s) :	24 of 40

2. Press <MENU> and then <+/-> to select RECORD MEMO.
3. Press <MENU> to start recording.
4. Press <MENU> again to stop recording and save the message. The just saved message is played automatically.

NOTE

You can also record a memo by pressing and holding <Skip Forward/MEMO> to start recording after a beep sound is heard. Press <MENU> to stop recording and save the message.

NOTE

When playing the message, press <MUTE/CLEAR/BACK/X/FIND> to delete it.

4.25.7 Call screening on/off

Call screening allows you to hear the message being recorded, and if you want, you may interrupt the message recording and take the call.

If call screening is set to be ON, you can listen to the caller leaving the message through the base speaker when the answering machine is recording, the corded base displays SCREENING and the <speaker icon> lights on. You can lift up the corded handset to talk to the caller through earpiece.

If call screening is set to be OFF, the answering machine is just recording the message. When the answering machine is recording, the corded base displays RECORDING.

You can turn on/off base screening as follows:

1. Press <MENU> and then <+/-> to select ANS. MACHINE.
2. Press <MENU> and then <+/-> to select BS SCREENING.
3. Press <MENU> and then <+/-> to turn on/off call screening.
4. Press <MENU> to save the setting.

4.25.8 Deleting all old messages

1. Press <MENU> and then <+/-> to select ANS. MACHINE.
2. Press <MENU> and then <+/-> to select DEL ALL OLD.
3. Press <MENU> to confirm and display will show DELETE ALL?
4. Press <MENU> to confirm the setting.

4.25.9 Remote access

Remote access allows you to operate your answering machine and listen to your messages by calling from external line.

To turn the remote access on/off

1. Press <MENU> and then <+/-> to select ANS. MACHINE.
2. Press <MENU> and then <+/-> to select REMOTE ACC.
3. Press <MENU> and then <+/-> to select ON or OFF.
4. Press <MENU> to confirm the setting.

To remotely access your answering system from external line, you need to key in 4-digit security code at the external terminal (default code is 0000).

After entering the remote access mode, press the following keys to carry out your desired function.

Press...	To...
1	Press once to repeat the current message from the beginning. Press twice to play the previous message.
2	Play/Stop the current message playback.
3	Skip forward to the next message
4	Toggle Answer Off/Announce Only/Announce and Record modes
5	Delete the message
7	Listen to the Main Menu (for Full Voice prompts only)

4.25.10 Setting the security code

This is used to change the remote access PIN if necessary.

1. Press <MENU> and then <+/-> to select ANS. MACHINE.
2. Press <MENU> and then <+/-> to select REMOTE CODE.
3. Press <MENU> and then enter the 4-digit remote code.

Doc Title :	User's Guide	Revision :	1.0
Model :	Motorola L70×CBT	Page(s) :	25 of 40

4. Press <MENU> to save the setting.

ENJOY YOUR CORDLESS HANDSET

5 BLUETOOTH®

5.1 Setup Cellular

To pair and connect a Bluetooth enabled mobile phone, place your mobile phone near the cordless handset and corded base phone.

1. Press <MENU> and then <VOL+> or <REDIAL/VOL-> to select BLUETOOTH.
2. Press <MENU> and then <VOL+> or <REDIAL/VOL-> to select SETUP CELLULAR.
3. Press <MENU> and display will show CELLULAR READY?

NOTE

If there are already four mobile phones paired up:

- 1) The cordless handset displays MAXIMUM OF 4 PAIRED DEVICES, and then REPLACE A PAIRED DEVICE?
- 2) Press <MENU> and then <VOL+> or <REDIAL/VOL-> to select a device on the paired devices list to be replaced.
- 3) Press <MENU> and DEVICE REMOVED FROM PAIRED LIST displays, and then CELLULAR READY?
4. Press <MENU> and display will show DISCOVERABLE MODE. The Bluetooth feature will be activated.
5. Using your Bluetooth enabled mobile phone, turn on the Bluetooth feature and search for a new device.
6. Once your Bluetooth enabled mobile phone has found the **Motorola L702CBT / L703CBT / L704CBT / L705CBT** telephone, select it.
7. Using your Bluetooth enabled mobile phone, enter the PIN code of the telephone (the default PIN code is 0000) to continue the pairing process.
8. Pairing will be confirmed when you hear a tone and the <Bluetooth icon> and <device # 1icon>/ <#2 icon> appear on the cordless handset. The cordless handset displays COMPLETED.

Refer to the User's Guide of your Bluetooth enabled mobile phone to learn how to search for or add new Bluetooth devices.

NOTE

- Paired device(s) will be connected automatically and stored into the paired devices list and the active devices list.
- When a device is successfully connected, the corresponding <device #1 icon> or <#2 icon> will be displayed.
- If you would like to pair up another Bluetooth device, please repeat the steps as above.

5.2 Paired devices

5.2.1 Connecting/removing a paired device

The cellular(s) paired up will be displayed in the paired devices list, no matter whether it(they) is(are) connected or not. You can choose to connect or remove the cellular from this menu.

1. Press <MENU> and then <VOL+> or <REDIAL/VOL-> to select BLUETOOTH.
2. Press <MENU> and then <VOL+> or <REDIAL/VOL-> to select PAIRED LIST.
3. Press <MENU> and then display will show the Cellular name of paired device(s).

NOTE

Display will show NO PAIRED DEVICE if there is no device paired up.

4. Press <VOL+> or <REDIAL/VOL-> to select the desired cellular device.

For an active device (shown in active devices list) and connected:

5. Press <MENU> and cordless handset displays REMOVE THE CELLULAR?
6. Press <MENU> to confirm. The cordless handset displays REMOVED.

For an active device (shown in active devices list) but not connected:

5. Press <MENU> and then <VOL+> or <REDIAL/VOL-> to select CONNECT or REMOVE PAIRED.

If you select CONNECT:

Press <MENU> and the telephone will start to connect the selected cellular device.

If you select REMOVE PAIRED:

Follow the steps as above.

For an inactive device (not shown in active devices list) and there is still free slot in active devices list:

Doc Title :	User's Guide	Revision :	1.0
Model :	Motorola L70×CBT	Page(s) :	26 of 40

5. Press <MENU> and then <VOL+> or <REDIAL/VOL-> to select ADD TO ACTIVE or REMOVE PAIRED.

If you select ADD TO ACTIVE:

Press <MENU> and display shows DEVICE ADDED TO ACTIVE LIST, and then the telephone will start to connect the selected cellular device.

If you select REMOVE PAIRED:

Follow the steps as above.

For an inactive device (not shown in active devices list) but there is no free slot in active devices list (already two active devices):

5. Press <MENU> and then <VOL+> or <REDIAL/VOL-> to select REPLACE ACTIVE or REMOVE PAIRED.

If you select REPLACE ACTIVE:

6. Press <MENU> and then <VOL+> or <REDIAL/VOL-> to select a device on the active devices list to be replaced.

7. Press <MENU> and display shows DEVICE ADDED TO ACTIVE LIST, and then the telephone will start to connect the selected cellular device.

If you select REMOVE PAIRED:

Follow the steps as above.

NOTE

- When the connected cellular is removed, the corresponding <device #1 icon> or <#2 icon> will be off.
- When the disconnected cellular is connected, the corresponding <device #1 icon> or <#2 icon> will be on.
- When the cellular is removed, the device name will be removed and EMPTY will be displayed instead in the paired devices list.

5.2.2 Replacing a paired device

If you have already paired up four Bluetooth enabled mobile devices, you will need to replace one of them if you would like to pair up another device. Follow the steps below to replace and pair up a new device.

1. Press <MENU> and then <VOL+> or <REDIAL/VOL-> to select BLUETOOTH.
2. Press <MENU> and then <VOL+> or <REDIAL/VOL-> to select SETUP CELLULAR.
3. Display will show MAXIMUM OF 4 PAIRED DEVICES, and then REPLACE A PAIRED DEVICE?
4. Press <MENU> to confirm. Display will show the four Cellular names of the paired devices.
5. Press <VOL+> or <REDIAL/VOL-> to select the cellular device you would like to replace.
6. Press <MENU> to confirm. Display will show DEVICE REMOVED FROM PAIRED LIST, and then CELLULAR READY?
7. Refer to section 5.1 to proceed with the next steps.

NOTE

When pairing a new cellular, the connected cellular will be disabled temporarily.

5.3 Active devices

Only devices on the active devices list can establish a Bluetooth connection with the telephone base. Although two paired devices can be connected to the telephone base, only one Bluetooth mobile phone can be on a call at a time.

NOTE

When adding, removing, or replacing a Bluetooth enabled mobile device on the active devices list, all connected devices will be disabled temporarily until the procedure is completed.

5.3.1 Adding an active device

You can have a maximum of two devices on the active devices list.

1. Press <MENU> and then <VOL+> or <REDIAL/VOL-> to select BLUETOOTH.
2. Press <MENU> and then <VOL+> or <REDIAL/VOL-> to select ACTIVE LIST.
3. Press <MENU> and then <VOL+> or <REDIAL/VOL-> to select empty position.
4. Press <MENU>. The display will show ADD PAIRED DEVICE?

NOTE

Display will show NO PAIRED DEVICE if there is no device paired up.

If one paired device has already been set as an active device and shown in the active devices list, the display will show PLEASE PAIR MORE DEVICES.

5. Press <MENU> and then <VOL+> or <REDIAL/VOL-> to select a desired device from the paired devices list.
6. Press <MENU>. The handset displays DEVICE ADDED TO ACTIVE LIST and then starts to connect the selected cellular device.
7. Depending on your mobile phone settings, you may need to press a key on your mobile phone to confirm the

Doc Title :	User's Guide	Revision :	1.0
Model :	Motorola L70×CBT	Page(s) :	27 of 40

connection. When you successfully add and connect an active device, the handset displays CONNECTED. And cellular name will be displayed in the active devices list.

5.3.2 Connecting/removing an active device

While in the active devices menu, you may connect or remove your active device.

1. Press <MENU> and then <VOL+> or <REDIAL/VOL-> to select BLUETOOTH.
2. Press <MENU> and then <VOL+> or <REDIAL/VOL-> to select ACTIVE LIST.
3. Press <MENU> and then <VOL+> or <REDIAL/VOL-> to select a desired device when necessary.

NOTE

For the cellular device that is not connected:

4. Press <MENU> and then <VOL+> or <REDIAL/VOL-> to select CONNECT or REMOVE ACTIVE.

If you select CONNECT:

5. Press <MENU> and the telephone starts to connect the selected cellular device.

If you select REMOVE ACTIVE:

5. Press <MENU> and cordless handset displays REMOVE THE CELLULAR?
6. Press <MENU> to confirm and the cordless handset displays REMOVED.

NOTE

For the connected cellular device:

4. Press <MENU> and cordless handset displays REMOVE THE CELLULAR?
5. Press <MENU> to confirm. The cordless handset displays REMOVED.

NOTE

- If the device(s) is (are) connected, the corresponding <device #1 icon> or <#2 icon> will be displayed. Or else, only the Bluetooth icon will be displayed.
- Even though the active device is removed from the active devices list, it is still on the paired devices list.

6 USING THE PHONE

6.1 Making a home call using your landline

1. Enter the phone number and then press <HOME> or <SPEAKER> to dial the phone number.

6.2 Making a cellular call using your cordless DECT handset

If there is only one Bluetooth enabled mobile phone paired up and connected,

1. Enter the phone number, and then press <CELL> to dial out.

If there are two Bluetooth enabled mobile phones paired up and connected,

2. Enter the phone number, press <CELL> and then <VOL+> or <REDIAL/VOL-> to select the desired cellular device.
3. Press <MENU> or <CELL> to dial out.

NOTE

If the cellular device is paired up but not connected, you should connect the cellular device before making an external cellular call.

6.3 Speed dial calling

1. In idle mode, press and hold a key from <1> to <9> until the number is displayed and dialed.

6.4 Answering a home call

1. Press <HOME> or <SPEAKER> to answer the incoming home call.

6.5 Answering a cellular call

1. Press <CELL> or <SPEAKER> to answer the incoming cellular call.

6.6 Receiving a cellular call while on a home call

A short beep during a HOME call indicates that there is an incoming CELLULAR call and the screen will display the caller ID.

To answer the incoming cellular call:

- Press <CELL> on the cordless handset. The home call will be placed on hold automatically and <HOME LINE ICON> will start flashing.

Doc Title :	User's Guide	Revision :	1.0
Model :	Motorola L70×CBT	Page(s) :	28 of 40

To swap the line to a home call:

- While talking on a cellular call, press <HOME> on the cordless handset to swap to the home call. The cellular call will be placed on hold automatically and <CELLULAR LINE ICON> will start flashing.

To end the cellular call:

- Press <CELL> on the cordless handset. The home call will be resumed automatically.

6.7 Receiving a home call while on a cellular call

A short beep during a CELLULAR call indicates that there is an incoming HOME call and the screen will display the caller ID.

To answer the incoming home call:

- Press <HOME> on the cordless handset. The cellular line call will be placed on hold automatically and <CELLULAR LINE ICON> will start flashing.

To swap the line to a cellular call:

- While talking on a home call, press <CELL> on the cordless handset to swap to the cellular call. The home call will be placed on hold automatically and <HOME LINE ICON> will start flashing.

To end the home call:

- Press <HOME> on the cordless handset. The cellular call will be resumed automatically.

6.8 Conference home and cellular calls

When you have calls established on the home and cellular lines, you can create a 3-way conference call.

To conference both home and cellular line calls:

- Press <MENU> on the cordless handset to establish the conference call.

To end a conference call:

- Press <HOME> or <CELL> to end the conference call.

6.9 Ending a home call

1. During a home call, press <HOME> or put the cordless handset on the charger.

6.10 Ending a cellular call

1. During a cellular call, press <CELL> or put the cordless handset on the charger.

6.11 Adjusting volume

1. During a call, press <VOL+> or <REDIAL/VOL-> to adjust the volume.

6.12 Muting a call

1. During a call, press <MUTE> to mute the microphone and "**MUTED**" will be displayed on the screen. You can talk to someone else in the room without your caller hearing you.
2. Press <MUTE> again to resume the microphone.

6.13 Dialing from the redial list

1. Press <REDIAL/VOL-> and then <VOL+> or <REDIAL/VOL-> to scroll and select the entry you want to redial.
2. Press <HOME> or <SPEAKER> to dial the number from the home line.
OR
2. Press <CELL> to dial the number from the cellular line.

6.14 Dialing from the calls list

1. Press <RIGHT/CALLS LIST> and then <VOL+> or <REDIAL/VOL-> to scroll and select the entry you want to dial.
2. Press <#/ABC/PAUSE/FORMAT> to toggle the format of the dialing number.
3. Press <HOME> or <SPEAKER> to dial the number from the home line.
OR
3. Press <CELL> to dial the number from the cellular line.

6.15 Adding an entry to the phonebook

1. Press <PHONEBOOK>.
2. Press <MENU> and then <VOL +> or <REDIAL/VOL-> to scroll and select ADD.

Doc Title :	User's Guide	Revision :	1.0
Model :	Motorola L70×CBT	Page(s) :	29 of 40

3. Press <MENU> and then enter the name.
4. Press <MENU> and then enter the number.
5. Press <MENU> to save the entry.

NOTE

- Numbers can be up to 24 digits long and names up to 16 characters long. Entries are stored in alphabetical order.

6.16 Storing a phonebook entry as a one touch number

1. Press <PHONEBOOK>.
2. Press <MENU> and then <VOL+> or <REDIAL/VOL-> to select SPEED DIAL.
3. Press <MENU> and then <VOL+> or <REDIAL/VOL-> to select the speed dial key from <KEY 1> to <KEY 9>.
4. Press <MENU> and then <VOL+> or <REDIAL/VOL-> to scroll to the entry you want.
5. Press <MENU> to save the setting.

6.17 Dialing from the phonebook

1. Press <PHONEBOOK> and then <VOL+> or <REDIAL/VOL-> to scroll and select the entry you want to dial.
Or press <MENU> to access phonebook from menu options.
 2. Press <HOME> or <SPEAKER> to dial the number from the home line.
- OR
2. Press <CELL> to dial the number from the cellular line.

TIPS

Instead of scrolling to browse the phonebook entries, press the numeric key corresponding to the first letter of the entry you wish to locate. For example, pressing <KEY 2> will show the entries starting with A. Pressing <KEY 2> again will show the entries starting with B, etc.

6.18 Caller ID

If you have subscribed to Caller ID service, and provided the identity of the caller is not withheld, the number of the caller will be displayed together with the date and time of the call (if provided by the network).

NOTE

- If the telephone number is not available for incoming calls, the handset will display UNAVAILABLE.
- If the incoming call is from a withheld telephone number, the handset will display PRIVATE.
- Information about incoming calls will vary by country and network operator. Some operators may charge the subscription for their Caller ID service.

6.18.1 Calls List

The calls list contains details of missed and received calls. Details include the date and time of the call. Entries are displayed in chronological order with the most recent call at the top of the list.

NOTE

- When the calls list is full, a new call will replace the oldest one in the list.
- Details of up to 30 calls may be stored in the cordless handset.
- If you receive more than one call from the same number, only the most recent call is stored in the calls list.
When you have missed calls (incoming calls that you have not answered), the <NEW icon> will be displayed on the screen of the corded base and all cordless handsets registered to the base. If one cordless handset is used to view the calls list, the <NEW icon> on the other cordless handsets will still remain on (For multi-pack use only).

6.18.2 Viewing the calls list

1. Press <RIGHT/CALLS LIST> to enter the calls list.
2. Press <VOL+> or <REDIAL/VOL-> to browse the calls list.

NOTE

- When reviewing an entry from the calls list, press <#/ ABC/PAUSE/FORMAT> repeatedly to display the number in different formats.
For example, if a caller number is displayed as 888-331-3383, the various formats will be:

331-3383
1-331-3383

888-331-3383
1-888-331-3383

You may choose the desired number format for local or long distance numbers before dialing or saving it into the phonebook.

- The <NEW icon> is removed once the new call has been viewed.

6.18.3 Saving a number from the calls list to the phonebook

1. Press <RIGHT/CALLS LIST> to enter the calls list.
2. Press <VOL+> or <REDIAL/VOL-> to select the entry you want.
3. Press <MENU> to select SAVE TO PB.
4. Press <MENU> and then enter the name if desired.
5. Press <MENU> and then edit the number if desired.
6. Press <MENU> to save the entry.

6.18.4 Deleting a calls list entry

1. Press <RIGHT/CALLS LIST> to enter the calls list.
2. Press <VOL+> or <REDIAL/VOL-> to scroll to the entry you want.
3. Press <MENU> and then <VOL+> or <REDIAL/VOL-> to select DELETE.
4. Press <MENU> to confirm and the entry will be deleted.

6.18.5 Deleting the entire calls list

1. Press <RIGHT/CALLS LIST> to enter the calls list.
2. Press <MENU> and then <VOL+> or <REDIAL/VOL-> to select DELETE ALL.
3. Press <MENU> and DELETE ALL CALL LOG ENTRIES? will be displayed.
4. Press <MENU> to confirm. All entries will be deleted.

NOTE

You need to review a call before you delete the record from the calls list.

6.19 Personal Settings

Menu Map

MAIN MENU	DATE & TIME	PHONEBOOK	INTERCOM	SETUP HS	SETUP BS	BLUETOOTH	ANSWER MACHINE	RESET SETTINGS
SUB MENU	YEAR DATE TIME	VIEW ADD EDIT DELETE DELETE ALL PB CAPACITY SPEED DIAL		RINGER TONE RINGER VOLUME KEY TONE LOW BATT TONE OUT RANGE TONE HANDSET NAME LANGUAGE LCD CONTRAST REGISTRATION	DIAL MODE FLASH TIME AREA CODE	SETUP CELLULAR ACTIVE LIST PAIRED LIST	ANSWERER ON (if answering machine is off) Or ANSWERER OFF (if answering machine is on) ANSWERER MODE RINGS TO ANSWER ANNOUNCEMENT RECORD MEMO CALL SCREENING DEL ALL OLD MSG REMOTE ACCESS SECURITY CODE	CLR VOICE MAIL ALL SETTINGS

1. Press <MENU>.
2. Press <VOL+> or <REDIAL/VOL-> to scroll through the menu.
3. Press <MENU> to open sub-menus and/or save settings.
4. Press <MUTE/CLEAR/BACK/X> to go back to previous menu level or cancel an action.

If you do not press any button on the cordless handset for 30 seconds, the display will automatically return to standby. It will also return to standby when the handset is placed on the charger.

6.20 Intercom

This feature allows you to make internal calls, transfer external home calls between the cordless handset and the corded base or other cordless handset extensions, and use the conference option.

NOTE

Cellular calls cannot be transferred.

Doc Title :	User's Guide	Revision :	1.0
Model :	Motorola L70×CBT	Page(s) :	31 of 40

6.20.1 Calling another cordless handset or corded base

1. Press <MENU> and then <VOL+> or <REDIAL/VOL-> to select INTERCOM.
2. Press <MENU> and then <VOL+> or <REDIAL/VOL-> to select the cordless handset or corded base you want to call.
3. Press <MENU> to make the call.
4. Press <HOME> to hang up.

NOTE

If the cordless handset is not within the valid operation range, this function may not be available. During an intercom call, you will hear an alert tone if there is an incoming external call. You need to press <HOME> to hang up the intercom call before answering the incoming external call.

6.20.2 Transferring an external home call to another cordless handset or corded base

1. During an external home call, press <MENU>. -Your call will be put on hold.
2. Press <VOL+> or <REDIAL/VOL-> to select the cordless handset or corded base you want to call.
3. Press <MENU> to make the call.
4. When the other cordless handset answers by pressing <HOME> or <SPEAKER>, or the corded base answers by pressing <HOME/SPEAKER>, press <HOME> on the calling cordless handset to transfer the call. If the other cordless handset or corded base does not answer, press <MUTE/CLEAR/BACK/X> on the calling cordless handset to talk to your caller again.

6.20.3 Three-party conference call

1. During an external home call, press <MENU>. -Your call will be put on hold.
2. Press <VOL+> or <REDIAL/VOL-> to select the cordless handset or corded base you want to call.
3. Press <MENU> to make the call.
4. When the other cordless handset or the corded base answers the intercom call, press <MENU> on the calling cordless handset to set up the conference call.
5. Press <HOME> on any cordless handset to end a three-party conference call and leave the other cordless handset or corded base engaged with the caller.

NOTE

During an external call, pressing <HOME> or <SPEAKER> on any cordless handset will join in the call and set up a conference call.

6.21 Setting the dial mode

The default dialing mode is suitable for your country and network operator. It is unlikely that you should need to change this setting unless advised to do so.

1. Press <MENU> and then <VOL+> or <REDIAL/VOL-> to select SETUP BS.
2. Press <MENU> to select DIAL MODE.
3. Press <MENU> and then <VOL+> or <REDIAL/VOL-> to select TONE or PULSE.
4. Press <MENU> to save the setting.

NOTE

If pulse mode is selected, press <*/TONE> to switch from pulse to tone dialing temporarily when dialing out. After the call is ended, the dial mode will change back to pulse automatically.

6.22 Setting the flash time

The default flash time is suitable for your country and network operator. It is unlikely that you should need to change this setting unless advised to do so.

1. Press <MENU> and then <VOL+> or <REDIAL/VOL-> to select SETUP BS.
2. Press <MENU> and then <VOL+> or <REDIAL/VOL-> to select FLASH TIME.
3. Press <MENU> and then <VOL+> or <REDIAL/VOL-> to the flash time you want. (8 options are available: 90, 100, 110, 250, 300, 400, 600 and 700MS)
4. Press <MENU> to save the setting.

6.23 Setting the area code

1. Press <MENU> and then <VOL+> or <REDIAL/VOL-> to select SETUP BS.
2. Press <MENU> and then <VOL+> or <REDIAL/VOL-> to select AREA CODE.
3. Press <MENU> and enter the area code.
4. Press <MENU> to save the setting.

6.24 Registration

6.24.1 Registering a cordless handset

Up to 5 cordless handsets can be registered to a corded base. The original cordless handset is pre-registered to use. Additional cordless handsets must be registered to the corded base before you can use them.

To register an additional cordless handset,

1. Press <MENU> and then <VOL+> or <REDIAL/VOL-> to select SETUP HS.
2. Press <MENU> and then <VOL+> or <REDIAL/VOL-> to select REGISTRATION.
3. Press <MENU> and then <VOL+> or <REDIAL/VOL-> to select YES or NO.
4. Select YES and then press <Menu> to enter the registration procedure as follows:
 - 1) Press and hold <#/PAUSE/FORMAT/FIND> for around 4 seconds on the corded base.
 - 2) Place the unregistered cordless handset on the charger.
 - 3) A confirmation tone is generated if registration is successful. Handset X is displayed where X denotes the number of handsets, and then the phone returns to idle.

To register an originally unregistered cordless handset, follow steps 1) through 3) above.

6.25 Resetting all settings

1. Press <MENU> and then <VOL+> or <REDIAL/VOL-> to select RESET SETTINGS.
2. Press <MENU> and then <VOL+> or <REDIAL/VOL-> to select ALL SETTINGS.
3. Press <MENU> to select YES. All personalized settings will be reset to default.

NOTE

All of your phonebook entries, calls list and redial list will remain unchanged after resetting.

6.26 Using your answering machine

6.26.1 Playing messages

1. Press <ANSWERING MACHINE/MUTE/CLEAR/BACK/X> on the cordless handset from idle mode. New messages will be played followed by any older messages.
2. During message playback, press the keys below on the cordless handset to perform the following functions:

⏮/1	Press to repeat the current message from the beginning. Press twice to play the previous message.
▶/ABC/2	Press to stop the current message playback.
▶▶/DEF/3	Press to skip to play the next message.
<KEY 5> or <MUTE/ CLEAR/ BACK/X>	Press to delete the current message and the next message will be played.
VOL+	Press to increase the volume.
REDIAL/VOL-	Press to decrease the volume.
🔊/SPEAKER	Press to toggle the message playback with earpiece/speakerphone.

NOTE

When you are on either a cellular call or a home call, the answering system will not answer the second incoming call.

6.26.2 Turning on or off the answering machine

1. Press <MENU> and then <VOL+> or <REDIAL/VOL-> to select ANSWER MACHINE.
2. Press <MENU> and <VOL+> or <REDIAL/VOL-> to select ANSWERER ON or ANSWERER OFF. If the answering machine is turned on originally, ANSWERER OFF will be displayed. If the answering machine is turned off originally, ANSWERER ON will be displayed.
3. Press <MENU> to confirm the setting.

6.26.3 Setting the announcement mode

1. Press <MENU> and then <VOL+> or <REDIAL/VOL-> to select ANSWER MACHINE.
2. Press <MENU> and then <VOL+> or <REDIAL/VOL-> to select ANSWERER MODE.
3. Press <MENU> and then <VOL+> or <REDIAL/VOL-> to select the announcement modes:
 - ANNC & RECORD invites your callers to leave a message.
 - ANNOUNCE ONLY lets callers hear your announcement but they cannot leave a message.
4. Press <MENU> to save the setting.

6.26.4 Setting the rings to answer

1. Press <MENU> and then <VOL+> or <REDIAL/VOL-> to select ANSWER MACHINE.
2. Press <MENU> and then <VOL+> or <REDIAL/VOL-> to select RINGS TO ANSWER

Doc Title :	User's Guide	Revision :	1.0
Model :	Motorola L70×CBT	Page(s) :	33 of 40

3. Press <MENU> and then <VOL+> or <REDIAL/VOL-> to select the rings to answer. (4 options are available: TOLL SAVER, 3, 4, or 5 RINGS).
4. Press <MENU> to save the setting.

NOTE

If Toll Saver setting is selected, the answering machine will pick up after two rings if there are new messages, and after four rings if there is no message.

6.26.5 Announcement

This is the message your callers hear on the answering machine. There are two pre-recorded outgoing messages, or you can record your own message.

6.26.5.1 Recording the announcement

1. Press <MENU> and then <VOL+> or <REDIAL/VOL-> to select ANSWER MACHINE.
2. Press <MENU> and then <VOL+> or <REDIAL/VOL-> to select ANNOUNCEMENT.
3. Press <MENU> to select RECORD.
4. Press <MENU> and then <VOL+> or <REDIAL/VOL-> to select the answer mode ANNC & RECORD or ANNOUNCE ONLY.
5. Press <MENU> to start recording after the beep.
6. Press <MENU> again to stop recording and save the message. The just saved message is played automatically.

NOTE

When playing the recorded message, press <MUTE/CLEAR/BACK/X> to delete it and the pre-recorded message will be set automatically.

6.26.5.2 Playing the announcement

1. Press <MENU> and then <VOL+> or <REDIAL/VOL-> to select ANSWER MACHINE.
2. Press <MENU> and then <VOL+> or <REDIAL/VOL-> to select ANNOUNCEMENT.
3. Press <MENU> and then <VOL+> or <REDIAL/VOL-> to select PLAY.
4. Press <MENU> and then <VOL+> or <REDIAL/VOL-> to select the answer mode ANNC & RECORD or ANNOUNCE ONLY.
5. Press <MENU> and the message will be played.

6.26.6 Recording a memo

You can record a memo which is stored in your answering machine and played back like a normal message.

1. Press <MENU> and then <VOL+> or <REDIAL/VOL-> to select ANSWER MACHINE.
2. Press <MENU> and then <VOL+> or <REDIAL/VOL-> to select RECORD MEMO.
3. Press <MENU> to start recording.
4. Press <MENU> again to stop recording and save the message. The just saved message is played automatically.

NOTE

When playing the message, press <MUTE/CLEAR/BACK/X> to delete it.

6.26.7 Call screening on/off

Call screening allows you to hear the message being recorded, and if you want, you may interrupt the message recording and take the call.

1. When the answering machine is recording, the cordless handset displays SCREENING?.
2. Press <MENU> to listen to the caller through the handset earpiece, the handset displays CALL SCREENING.
3. Press <SPEAKER> to listen with the handset loudspeaker.
4. Press <MUTE/CLEAR/BACK/X> to stop screening and leave the answering machine to record the message.
5. Press <HOME> to talk to the caller and stop recording.

6.26.8 Deleting all old messages

1. Press <MENU> and then <VOL+> or <REDIAL/VOL-> to select ANSWER MACHINE.
2. Press <MENU> and then <VOL+> or <REDIAL/VOL-> to select DEL ALL OLD MSG.
3. Press <MENU>. DELETE ALL OLD MESSAGES? will be displayed.
4. Press <MENU> to confirm the setting.

NOTE

When the answering machine is full, <TAM Icon> will flash if there are new messages. ERASE SOME

Doc Title :	User's Guide	Revision :	1.0
Model :	Motorola L70×CBT	Page(s) :	34 of 40

ANSWERER MSG will toggle within 2 seconds with MEMORY FULL. At this point, delete some messages to free up the memory.

6.26.9 Remote access

Remote access allows you to operate your answering machine and listen to your messages by calling from external line.

To turn the remote access on/off

1. Press <MENU> and then <VOL+> or <REDIAL/VOL-> to select ANSWER MACHINE.
2. Press <MENU> and then <VOL+> or <REDIAL/VOL-> to select REMOTE ACCESS.
3. Press <MENU> and then <VOL+> or <REDIAL/VOL-> to select ON or OFF.
4. Press <MENU> to confirm the setting.

To remotely access your answering system from external line, you need to key in 4-digit security code at the external terminal (default code is 0000).

After entering the remote access mode, press the following keys to carry out your desired function.

Press...	To...
1	Press once to repeat the current message from the beginning. Press twice to play the previous message.
2	Play/Stop the current message playback.
3	Skip forward to the next message
4	Toggle Answer Off/Announce Only/Announce and Record modes
5	Delete the message
7	Listen to the Main Menu (for Full Voice prompts only)

6.26.10 Setting the security code

This is used to change the remote access PIN if necessary.

1. Press <MENU> and then <VOL+> or <REDIAL/VOL-> to select ANSWER MACHINE.
2. Press <MENU> and then <VOL+> or <REDIAL/VOL-> to select SECURITY CODE.
3. Press <MENU> and then enter the 4-digit security code.
4. Press <MENU> to save the setting.

7 HELP

I cannot pair my mobile phone to the telephone base

- Make sure the Bluetooth function of your Bluetooth enabled mobile phone is turned on. See the User's Guide of your mobile phone for more information.
- Make sure the cordless handset, corded base and mobile phone are located near each other.
- Remove the **Motorola L702CBT / L703CBT / L704CBT / L705CBT** from your mobile phone's Bluetooth device history list (see the User's Guide of your mobile phone for more information).
- Carefully follow the pairing instructions in the User's Guide, make sure that your mobile phone is not connected to any other Bluetooth device(s).
- Turn off your mobile phone, and then turn it on again.
- Reset the telephone base. Unplug the unit's electrical power. Wait for approximately 15 seconds, and then plug it back in. Repeat the above suggestions.

The <Battery> icon is not scrolling when the cordless handset is placed on the charger

- Handset not properly seated on the charger –readjust the handset on the charger.
- Dirty contact – clean the charge contacts by wiping with an alcohol moistened cloth.
- Battery is full –charging is not necessary at this time.

No dial tone

- If there is no base power, check the connections. Reset the phone by unplugging then plugging it back into an electrical outlet.
- If the cordless handset batteries are empty, recharge the battery pack for at least 24 hours.
- Move the cordless handset closer to the corded base.

Doc Title :	User's Guide	Revision :	1.0
Model :	Motorola L70×CBT	Page(s) :	35 of 40

- Be sure to use only the provided telephone cords.

Poor audio quality

- If the corded base is too close to electrical appliances, reinforced concrete walls, or metal door frames, move the corded base from these areas.

No ring tone

- The ringer may be off.
- The volume may need to be increased.

Caller ID does not work

- Check your subscription with your network operator.
- If you subscribe to high-speed internet service (Digital Subscriber Line – DSL) through your telephone lines, you must install a DSL filter between the telephone base and the telephone wall jack. The filter will prevent noise and caller ID problems caused by DSL interference. Please contact your DSL service provider for more information about DSL filters.

A phonebook entry cannot be stored

- The phonebook is full. Delete an entry to free memory.

No display

- Try recharging or replacing the rechargeable battery pack.
- Reset the corded base. Unplug the unit's electrical, then plug it back in.
- If the LED is not lit up, then try to unplug the unit's electrical power, and then plug it back in.

If the cordless handset disconnects from the corded base during a phone call

- Check that the power cord is connected properly into the corded base.
- Check that the power adapter is connected properly into the electrical outlet.
- Move the cordless handset closer to the corded base. It may be out of range.
- Reset the corded base by unplugging the unit's electrical power.
- Reset the cordless handset by unplugging and re-plugging its battery pack. Wait for around 15 seconds and re-plug the power again. Allow up to one minute for the cordless handset to synchronize with the registered corded base again.

Noise interference on your radio or television

- Your corded base or cordless charger may be too close. Move it as far away as possible.

8 GENERAL INFORMATION

If your product is not working properly...

1. Read this User's Guide.
2. Visit our website: www.motorola.com
3. Contact Customer Service in the US and Canada at 1-888-331-3383.

To order a replacement battery pack, contact customer service or visit our website.

Important safety instructions

Follow these safety precautions when using your phone to reduce the risk of fire, electric shock, and injury to persons or property:

1. Keep all vents and openings of the phone unblocked. Do not set the phone on a heating register or over a radiator. Ensure that proper ventilation is provided at the installation site.
2. Do not use while wet or while standing in water.
3. Do not use this product near water (for example, near a bath tub, kitchen sink, or swimming pool).
4. Do not allow anything to rest on the power cord. Place the power cord so that it will not be walked on.
5. Never insert objects of any kind into the product vents as that may result in fire or electric shock.

Doc Title :	User's Guide	Revision :	1.0
Model :	Motorola L70×CBT	Page(s) :	36 of 40

6. Unplug this product from the electrical outlet before cleaning. Do not use liquid cleaners or aerosol cleaners. Use a damp cloth for cleaning.
7. Do not disassemble this product. If service or repair work is required, contact the customer service helpline found in this User's Guide.
8. Do not overload wall outlets and extension cords.
9. Avoid using during an electrical storm. Use a surge protector to protect the equipment.
10. Do not use this phone to report a gas leak, especially if you are in the vicinity of the gas line.

CAUTION

To reduce the risk of fire, use only No. 26 AWG or larger UL Listed or CSA Certified Telecommunication Line Cord.

Unplug this cordless phone immediately from an outlet if:

- The power cord or plug is damaged or frayed.
- Liquid has been spilled on the product.
- The product has been exposed to rain or water. Do not retrieve the handset or base until after you have unplugged the power and phone from the wall. Then retrieve the unit by the unplugged cords.
- The product has been dropped or the cabinet has been damaged.
- The product exhibits a distinct change in performance.

Installation Guidelines

1. Read all instructions and save them for future reference.
2. Follow all warnings and instructions marked on the product.
3. Do not install this product near a bath tub, sink, or shower.
4. Operate this phone using only the power source that is indicated on the marking label. If you are unsure of the power supply to your home, consult with your dealer or local power company.
5. Do not place this product on an unstable cart, stand, or table. This product may fall, causing serious damage to the product.
6. Adjust only those controls that are covered by the operating instructions. Improper adjustment of other controls may result in damage and will often require extensive work to restore the product to normal operation.
7. Clean this product with a soft, damp cloth. Do not use chemicals or cleaning agents to clean this phone.
8. Use only the power supply that came with this unit. Using other power supplies may damage the unit.
9. Because this phone operates on electricity, you should have at least one phone in your home that operates without electricity in case of a power outage.
10. To avoid interference to nearby appliances, do not place the base of the phone on or near a TV, microwave oven, or VCR.

CAUTION

To maintain compliance with the FCC's RF exposure guidelines, place the base unit at least 20 cm from nearby persons.

Battery Safety Instructions

- Do not burn, disassemble, mutilate, or puncture the battery. The battery contains toxic materials that could be released, resulting in injury.

CAUTION

There is a risk of explosion if you replace the battery with an incorrect battery type. Use only the battery pack that came with your phone or an authorized replacement recommended by the manufacturer.

- Keep battery packs out of the reach of children.
- Remove battery packs if storing over 30 days.
- Do not dispose of battery packs in fire, which could result in explosion.
- The rechargeable battery packs that power this product must be disposed of properly and may need to be recycled. Refer to your battery label for battery type. Contact your local recycling center for proper disposal methods.

SAVE THESE INSTRUCTIONS

Consumer Products and Accessories Limited Warranty ("Warranty")

Thank you for purchasing this Motorola branded product manufactured under license by Binatone Electronics International LTD ("BINATONE").

Doc Title :	User's Guide	Revision :	1.0
Model :	Motorola L70×CBT	Page(s) :	37 of 40

What Does this Warranty Cover?

Subject to the exclusions contained below, BINATONE warrants that this Motorola branded product ("Product") or certified accessory ("Accessory") sold for use with this product that it manufactured to be free from defects in materials and workmanship under normal consumer usage for the period outlined below. This Warranty is your exclusive warranty and is not transferable.

Who is covered?

This Warranty extends only to the first consumer purchaser, and is not transferable.

What will BINATONE do?

BINATONE or its authorized distributor at its option and within a commercially reasonable time, will at no charge repair or replace any Products or Accessories that does not conform to this Warranty. We may use functionally equivalent reconditioned/ refurbished/ pre-owned or new Products, Accessories or parts.

What Other Limitations Are There?

ANY IMPLIED WARRANTIES, INCLUDING WITHOUT LIMITATION THE IMPLIED WARRANTIES OF MERCHANTABILITY AND FITNESS FOR A PARTICULAR PURPOSE, SHALL BE LIMITED TO THE DURATION OF THIS LIMITED WARRANTY, OTHERWISE THE REPAIR OR REPLACEMENT PROVIDED UNDER THIS EXPRESS LIMITED WARRANTY IS THE EXCLUSIVE REMEDY OF THE CONSUMER, AND IS PROVIDED IN LIEU OF ALL OTHER WARRANTIES, EXPRESS OF IMPLIED. IN NO EVENT SHALL MOTOROLA OR BINATONE BE LIABLE, WHETHER IN CONTRACT OR TORT (INCLUDING NEGLIGENCE) FOR DAMAGES IN EXCESS OF THE PURCHASE PRICE OF THE PRODUCT OR ACCESSORY, OR FOR ANY INDIRECT, INCIDENTAL, SPECIAL OR CONSEQUENTIAL DAMAGES OF ANY KIND, OR LOSS OF REVENUE OR PROFITS, LOSS OF BUSINESS, LOSS OF INFORMATION OR OTHER FINANCIAL LOSS ARISING OUT OF OR IN CONNECTION WITH THE ABILITY OR INABILITY TO USE THE PRODUCTS OR ACCESSORIES TO THE FULL EXTENT THESE DAMAGES MAY BE DISCLAIMED BY LAW.

Some jurisdictions do not allow the limitation or exclusion of incidental or consequential damages, or limitation on the length of an implied warranty, so the above limitations or exclusions may not apply to you. This Warranty gives you specific legal rights, and you may also have other rights that vary from one jurisdiction to another.

Products Covered	Length of Coverage
Consumer Products	One (1) year from the date of the products original purchase by the first consumer purchaser of the product.
Consumer Accessories	Ninety (90) days from the date of the accessories original purchase by the first consumer purchaser of the product.
Consumer Products and Accessories that are Repaired or Replaced	The balance of the original warranty or for ninety (90) days from the date returned to the consumer, whichever is longer.

Exclusions

Normal Wear and Tear. Periodic maintenance, repair and replacement of parts due to normal wear and tear are excluded from coverage.

Batteries. Only batteries whose fully charged capacity falls below 80% of their rated capacity and batteries that leak are covered by this Warranty.

Abuse & Misuse. Defects or damage that result from: (a) improper operation, storage, misuse or abuse, accident or neglect, such as physical damage (cracks, scratches, etc.) to the surface of the product resulting from misuse; (b) contact with liquid, water, rain, extreme humidity or heavy perspiration, sand, dirt or the like, extreme heat, or food; (c) use of the Products or Accessories for commercial purposes or subjecting the Product or Accessory to abnormal usage or conditions; or (d) other acts which are not the fault of MOTOROLA or BINATONE are excluded from coverage.

Doc Title :	User's Guide	Revision :	1.0
Model :	Motorola L70×CBT	Page(s) :	38 of 40

Use of Non-Motorola branded Products and Accessories. Defects or damage that result from the use of Non-Motorola branded or certified Products or Accessories or other peripheral equipment are excluded from coverage. Unauthorized Service or Modification. Defects or damages resulting from service, testing, adjustment, installation, maintenance, alteration, or modification in any way by someone other than MOTOROLA, BINATONE or its authorized service centers, are excluded from coverage.

Altered Products. Products or Accessories with (a) serial numbers or date tags that have been removed, altered or obliterated; (b) broken seals or that show evidence of tampering; (c) mismatched board serial numbers; or (d) nonconforming or non-Motorola branded housings, or parts, are excluded from coverage.

Communication Services. Defects, damages, or the failure of Products or Accessories due to any communication service or signal you may subscribe to or use with the Products or Accessories is excluded from coverage.

How to Obtain Warranty Service or Other Information?

To obtain service or information, please call:

US and Canada: 1-888-331-3383

You will receive instructions on how to ship the Products or Accessories at your expense and risk, to a BINATONE Authorized Repair Center.

To obtain service, you must include: (a) the Product or Accessory; (b) the original proof of purchase (receipt) which includes the date, place and seller of the Product; (c) if a warranty card was included in your box, a completed warranty card showing the serial number of the Product; (d) a written description of the problem; and, most importantly; (e) your address and telephone number.

These terms and conditions constitute the complete warranty agreement between you and BINATONE regarding the Products or Accessories purchased by you, and supersede any prior agreement or representations, including representations made in any literature publications or promotional materials issued by BINATONE or representations made by any agent employee or staff of BINATONE, that may have been made in connection with the said purchase.

FCC, ACTA and IC regulations

FCC Part 15

This equipment has been tested and found to comply with the requirements for a Class B digital device under Part 15 of the Federal Communications Commission (FCC) rules. These requirements are intended to provide reasonable protection against harmful interference in a residential installation.

This equipment generates, uses and can radiate radio frequency energy and, if not installed and used in accordance with the instructions, may cause harmful interference to radio communications. However, there is no guarantee that interference will not occur in a particular installation. If this equipment does cause harmful interference to radio or television reception, which can be determined by turning the equipment off and on, the user is encouraged to try to correct the interference by one or more of the following measures:

- Reorient or relocate the receiving antenna.
- Increase the separation between the equipment and receiver.
- Connect the equipment into an outlet on a circuit different from that to which the receiver is connected.
- Consult the dealer or an experienced radio/TV technician for help.

Changes or modifications to this equipment not expressly approved by the party responsible for compliance could void the user's authority to operate the equipment.

This device complies with Part 15 of the FCC rules. Operation is subject to the following two conditions: (1) this device may not cause harmful interference, and (2) this device must accept any interference received, including interference that may cause undesired operation. Privacy of communications may not be ensured when using this telephone.

To ensure safety of users, the FCC has established criteria for the amount of radio frequency energy that can be safely absorbed by a user or bystander according to the intended usage of the product. This product has been tested and found to comply with the FCC criteria. The handset may be safely held against the ear of the user. The telephone base shall be installed and used such that parts of the user's body other than the hands are maintained at a distance of approximately 20 cm (8 inches) or more.

This Class B digital apparatus complies with Canadian ICES-003.

FCC Part 68 and ACTA

Doc Title :	User's Guide	Revision :	1.0
Model :	Motorola L70×CBT	Page(s) :	39 of 40

This equipment complies with Part 68 of the FCC rules and with technical requirements adopted by the Administrative Council for Terminal Attachments (ACTA). The label on the back or bottom of this equipment contains, among other things, a product identifier in the format US: AAEEQ##TXXXX. This identifier must be provided to your local telephone company upon request.

The plug and jack used to connect this equipment to premises wiring and the telephone network must comply with applicable Part 68 rules and technical requirements adopted by ACTA. A compliant telephone cord and modular plug is provided with this product. It is designed to be connected to a compatible modular jack that is also compliant. An RJ11 jack should normally be used for connecting to a single line and an RJ14 jack for two lines. See Installation Instructions in the User's Guide.

The Ringer Equivalence Number (REN) is used to determine how many devices you may connect to your telephone line and still have them ring when you are called. The REN for this product is encoded as the 6th and 7th characters following the US: in the product identifier (e.g., if ## is 03, the REN is 0.3). In most, but not all areas, the sum of all RENs should be five (5.0) or less. For more information, please contact your local telephone company.

This equipment may not be used with Party Lines. If you have specially wired alarm dialing equipment connected to your telephone line, ensure the connection of this equipment does not disable your alarm equipment. If you have questions about what will disable alarm equipment, consult your telephone company or a qualified installer.

If this equipment is malfunctioning, it must be unplugged from the modular jack until the problem has been corrected. Repairs to this telephone equipment can only be made by the manufacturer or its authorized agents. For repair procedures, follow the instructions outlined under the Limited Warranty.

If this equipment is causing harm to the telephone network, the telephone company may temporarily discontinue your telephone service. The telephone company is required to notify you before interrupting service. If advance notice is not practical, you will be notified as soon as possible. You will be given the opportunity to correct the problem and the telephone company is required to inform you of your right to file a complaint with the FCC. Your telephone company may make changes in its facilities, equipment, operation, or procedures that could affect the proper functioning of this product. The telephone company is required to notify you if such changes are planned. If this product is equipped with a corded or cordless handset, it is hearing aid compatible.

If this product has memory dialing locations, you may choose to store emergency telephone numbers (e.g., police, fire, medical) in these locations. If you do store or test emergency numbers, please:

- Remain on the line and briefly explain the reason for the call before hanging up.
- Perform such activities in off-peak hours, such as early morning or late evening.

Industry Canada

Operation is subject to the following two conditions: (1) this device may not cause harmful interference, and (2) this device must accept any interference, including interference that may cause undesired operation.

The term "IC: " before the certification/registration number only signifies that the Industry Canada technical specifications were met.

The Ringer Equivalence Number (REN) for this terminal equipment is 0.5. The REN is an indication of the maximum number of devices allowed to be connected to a telephone interface. The termination on an interface may consist of any combination of devices subject only to the requirement that the sum of the RENs of all the devices does not exceed five.

This product meets the applicable Industry Canada technical specifications.

Technical Specifications

RF frequency band	1921.536 MHz - 1928.448 MHz
Channels	5
Operating temperature	5°C to 45°C
Corded base voltage (AC voltage, 60Hz)	96 - 130 Vms
Corded base voltage (Adapter output)	6VDC , 450mA/300mA
Cordless handset voltage	2.4V 500mAh Ni-MH battery pack

Doc Title :	User's Guide	Revision :	1.0
Model :	Motorola L70×CBT	Page(s) :	40 of 40

Charger voltage (Adapter output)	6VAC, 300mA
---	-------------



Manufactured, distributed or sold by Binatone Electronics International LTD., official licensee for this product. MOTOROLA and the Stylized M Logo are trademarks or registered trademarks of Motorola Trademark Holdings, LLC. and are used under license. The Bluetooth trademarks and all other trademarks are the property of their respective owners.

© 2012 Motorola Mobility, Inc. All rights reserved.



Version 1.0
Printed in China