

Doc Title	: User's Guide	Revision	: 1.0
Model	: Motorola S70×BT	Page(s)	: 1 of 29



User's Guide

S701BT / S702BT / S703BT / S704BT / S705BT

DECT 6.0 Digital Cordless Phone with Bluetooth[®] Wireless Technology,
Speaker Pod and Answering Machine

Warning

*Use only the adapter and telephone line cord provided
in the box.*

Doc Title :	User's Guide	Revision :	1.0
Model :	Motorola S70×BT	Page(s) :	2 of 29

Welcome to your new Motorola Phone!

Please retain your original dated sales receipt for your records. For warranty service of your Motorola product, you will need to provide a copy of your dated sales receipt to confirm warranty status. Registration is not required for warranty coverage.

For product-related questions, please call:

US and Canada: 1-888-331-3383
On the Web: www.motorola.com

- 30 name and number phonebook.
- Answering machine with up to 15 minutes digital recording time. *
- Caller ID shows you who is calling and includes details of the last 30 callers in a calls list. **
- Register up to 5 handsets or speaker pods to a single base.
- Make internal calls, transfer external home calls, hold 3-way conversation between two internal callers and an external caller.

*The recording time includes the pre-recorded voice menu and outgoing announcements.

**You must subscribe to your network provider's Caller ID or Call Waiting service for these features to work.

Please note that this equipment is not designed for making emergency telephone calls when the power fails. Alternative arrangements should be made if emergency telephone call is necessary.



This ENERGY STAR[®] program (www.energystar.gov) recognizes and encourages the use of products that save energy and help protect our environment. We are proud to mark this product with the ENERGY STAR[®] label indicating it meets the latest energy efficiency guidelines.

Doc Title :	User's Guide	Revision :	1.0
Model :	Motorola S70×BT	Page(s) :	3 of 29

This User's Guide provides you with all the information you need to get the most from your phone.

Before you make your first call you will need to set up your phone.

Follow the simple instructions in 'Getting Started', on the next few pages.

IMPORTANT

Use only the supplied telephone line cord.

This equipment is not designed to make emergency telephone calls during power failures. Alternative arrangements should be made for access to emergency services.

Got everything?

- Handset
- Base
- Power Adapters × 2
- NiMH Rechargeable Battery Packs × 2
- Battery Door
- Speaker Pod
- NiMH Rechargeable Battery Pack for Speaker Pod
- Charging Cradle for Speaker Pod
- Mobile Phone Stand
- Telephone Line Cord
- User's Guide
- Quick Start Guide

In multi-handset packs, you will find one or more additional handsets, chargers with power adapters, additional rechargeable battery packs and battery doors.

Doc Title :	User's Guide	Revision :	1.0
Model :	Motorola S70×BT	Page(s) :	4 of 29

TABLE OF CONTENTS

1 GETTING STARTED..... 4

1.1 CONNECTING THE BASE..... 4

1.2 INSTALLING AND CHARGING THE HANDSET BATTERY PACK 4

1.3 INSTALLING AND CHARGING THE SPEAKER POD BATTERY PACK..... 4

1.4 SETTING THE DISPLAY LANGUAGE 4

1.5 SETTING DATE AND TIME..... 4

2 GETTING TO KNOW YOUR PHONE..... 4

3 USING THE PHONE..... 4

3.1 INTRODUCING BLUETOOTH..... 4

3.2 BLUETOOTH SETUP 4

3.2.1 SETUP CELLULAR..... 4

3.2.2 REPLACING A PAIRED DEVICE 4

3.2.3 PAIRED DEVICES..... 4

3.3 MAKING A HOME CALL USING YOUR LANDLINE 4

3.4 MAKING A CELLULAR CALL USING YOUR CORDLESS DECT HANDSET..... 4

3.5 SPEED DIAL CALLING 4

3.6 ANSWERING A HOME CALL..... 4

3.7 ANSWERING A CELLULAR CALL..... 4

3.8 RECEIVING A CELLULAR CALL WHILE ON A HOME CALL 4

3.9 RECEIVING A HOME CALL WHILE ON A CELLULAR CALL 4

3.10 ENDING A HOME CALL 4

3.11 ENDING A CELLULAR CALL 4

3.12 ADJUSTING VOLUME..... 4

3.13 MUTING A CALL 4

3.14 DIALING FROM THE REDIAL LIST..... 4

3.15 DIALING FROM THE CALLS LIST 4

3.16 ADDING AN ENTRY TO THE PHONEBOOK..... 4

3.17 STORING A PHONEBOOK ENTRY AS A ONE TOUCH NUMBER..... 4

3.18 DIALING FROM THE PHONEBOOK 4

3.19 CALLER ID 4

3.19.1 CALLS LIST..... 4

3.19.2 VIEWING THE CALLS LIST..... 4

3.19.3 SAVING A NUMBER FROM THE CALLS LIST TO THE PHONEBOOK..... 4

3.19.4 DELETING A CALLS LIST ENTRY 4

3.19.5 DELETING THE ENTIRE CALLS LIST 4

3.20 PERSONAL SETTINGS..... 4

3.21 INTERCOM..... 4

3.21.1 CALLING ANOTHER HANDSET OR THE SPEAKER POD 4

3.21.2 TRANSFERRING AN EXTERNAL HOME CALL TO ANOTHER HANDSET OR THE SPEAKER POD 4

3.21.3 THREE-PARTY CONFERENCE CALL 4

3.22 SETTING THE DIAL MODE 4

3.23 SETTING THE FLASH TIME 4

3.24 SETTING THE AREA CODE..... 4

3.25 REGISTRATION..... 4

Doc Title :	User's Guide	Revision :	1.0
Model :	Motorola S70×BT	Page(s) :	5 of 29

3.25.1	REGISTERING A HANDSET	4
3.25.2	REGISTERING A SPEAKER POD	4
3.26	RESETTING ALL SETTINGS	4
3.27	PAGING/FINDING HANDSETS AND/OR A SPEAKER POD	4
3.28	USING YOUR ANSWERING MACHINE	4
3.28.1	PLAYING MESSAGES	4
3.28.2	TURNING ON OR OFF THE ANSWERING MACHINE	4
3.28.3	SETTING THE ANNOUNCEMENT MODE.....	4
3.28.4	SETTING THE RINGS TO ANSWER	4
3.28.5	ANNOUNCEMENT	4
3.28.5.1	Recording the announcement.....	4
3.28.5.2	Playing the announcement	4
3.28.6	RECORDING A MEMO	4
3.28.7	CALL SCREENING ON/OFF	4
3.28.8	DELETING ALL OLD MESSAGES	4
3.28.9	REMOTE ACCESS	4
3.28.10	SETTING THE SECURITY CODE.....	4
<u>4</u>	<u>HELP</u>	<u>4</u>
<u>5</u>	<u>GENERAL INFORMATION.....</u>	<u>4</u>

Doc Title :	User's Guide	Revision :	1.0
Model :	Motorola S70×BT	Page(s) :	6 of 29

1 GETTING STARTED

WARNING

Do not place your phone in the bathroom or other humid areas.

Location

When choosing a location for your new phone, here are some important guidelines you should consider:

- Avoid sources of noise and heat, such as motors, fluorescent lighting, microwave ovens, heating appliances and direct sunlight.
- Avoid areas of excessive dust, moisture, and low temperature.
- Avoid other cordless telephones or personal computers.
- Never install telephone wiring during a lightning storm.
- Never install telephone jacks in wet locations unless the jack is specifically designed for wet locations.
- Never touch non-insulated telephone wires or terminals unless the telephone line has been disconnected at the network interface.
- Use caution when installing or modifying telephone lines.

HANDSET RANGE

Optimal range is reached when there are no other electrical appliances working within the range area. Any obstruction between the base and handset will also reduce the range significantly.

SIGNAL STRENGTH

When out of range of the base, the screen shows OUT OF RANGE. If you are on a call, the line will hang up. Move back within range of the base. The handset will automatically re-connect to the base.

Setting up

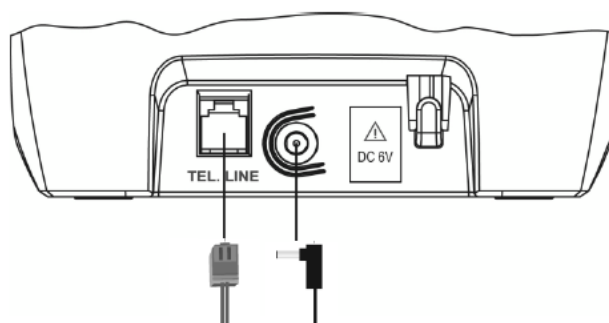
IMPORTANT

The base must be plugged into an electrical outlet at all times. Do not connect the telephone line cord into the telephone wall jack until the handset is fully charged. Use only the adapter and telephone line cord supplied with the product.

WHICH POWER ADAPTER

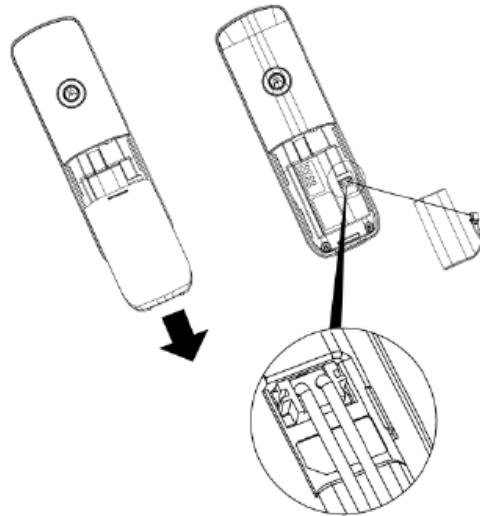
The power adapter with the smaller DC plug is for the base unit and the power adapter with the larger DC plug is for the charger unit (only in multi-handset packs).

1.1 Connecting the base



1. Insert the DC plug of the power adapter and the telephone line cord into the base, as shown above. The power adapter with the larger DC plug is for the charger (only in multi-handset packs).
2. Insert the other end of the power adapter into a power outlet and the telephone line cord into a telephone wall jack.
3. Use only the supplied power adapter.

1.2 Installing and charging the handset battery pack

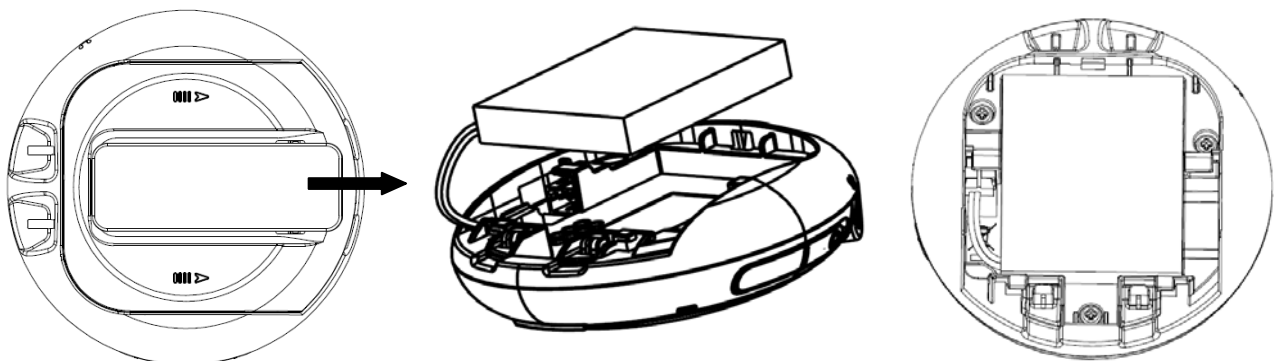


1. Slide off the battery compartment cover to remove it. Place the supplied rechargeable battery pack in the battery compartment, and insert the plug of the battery pack into the socket, as shown above.
2. Slide the battery compartment cover back on.
3. Put the handset on the base to charge for at least 24 hours. Once charging completed, the <Battery full icon> will indicate that the handset is fully charged.

IMPORTANT

Use only the rechargeable battery pack provided with the product.

1.3 Installing and charging the battery pack of speaker pod



1. Slide off the battery compartment cover to remove it. Place the supplied rechargeable battery pack in the battery compartment, and insert the plug of the battery pack into the socket, as shown above.
2. Slide the battery compartment cover back on.
3. Put the speaker pod on the charging cradle for charging. When the speaker pod is properly placed on the charging cradle, the light on the speaker pod will turn on red steadily.

NOTE

With the clip on the back of speaker pod, you can wear it for convenient use when necessary.

IMPORTANT

Use only the rechargeable battery pack provided with the product.

1.4 Setting the display language

1. Press <MENU> and then <VOL+> or <REDIAL/VOL-> to select SETUP HS.
2. Press <MENU> and then <VOL+> or <REDIAL/VOL-> to select LANGUAGE.
3. Press <MENU> and then <VOL+> or <REDIAL/VOL-> to select the desired language.
4. Press <MENU> to save the setting.

Doc Title :	User's Guide	Revision :	1.0
Model :	Motorola S70×BT	Page(s) :	8 of 29

1.5 Setting date and time

1. Press <MENU> to select DATE & TIME.
2. Press <MENU> and then use the keypad to edit the year and the date.
3. Press <VOL+> or <REDIAL/VOL-> or <PHONEBOOK> or <RIGHT/CALLS LIST> to move between the input fields YEAR and DATE.
4. Press <MENU> and then use the keypad to edit the time in 12 HR format.
Press <VOL+> or <REDIAL/VOL-> to toggle AM/PM settings. And use <PHONEBOOK> or <RIGHT/CALLS LIST> to move the cursor to the target input field.
5. Press <MENU> to save the settings.

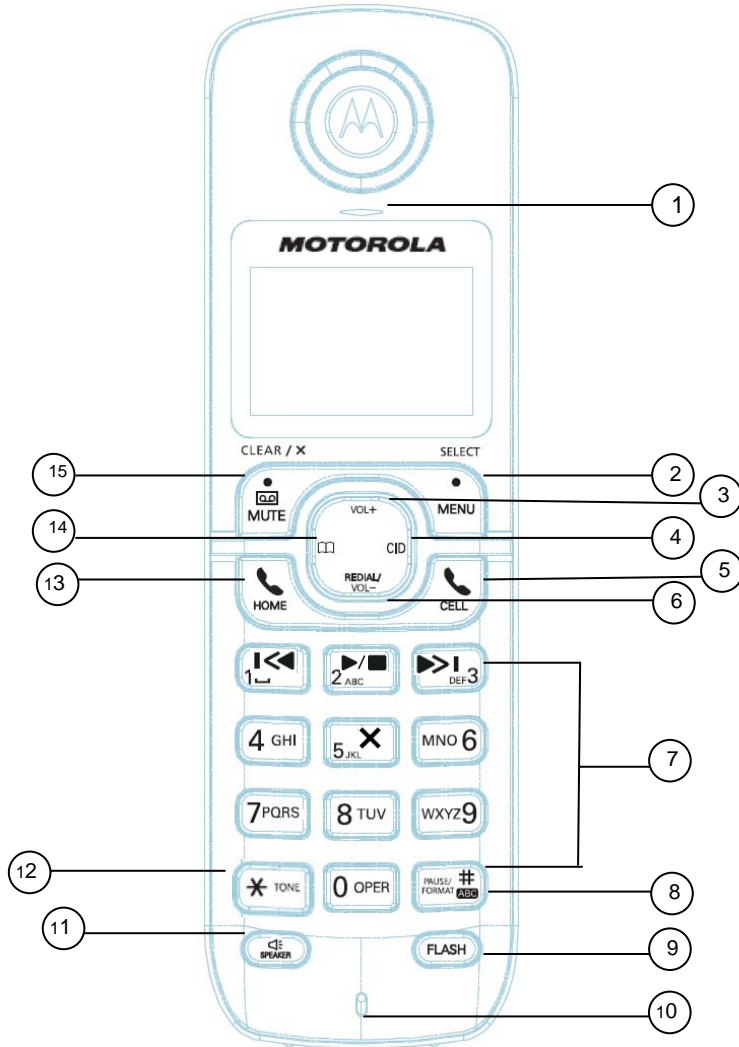
NOTE

If you have subscribed to your network provider's Caller ID service, date and time will be automatically set when a call is received.

Your phone is now ready for use.

2 GETTING TO KNOW YOUR PHONE

Overview of your handset



Doc Title :	User's Guide	Revision :	1.0
Model :	Motorola S70×BT	Page(s) :	10 of 29

Get acquainted with the following 15 buttons on your handset and their multi-function tasks.

1	EARPIECE
2	MENU/ SELECT a) In idle mode: Press to access menu list. b) In menu/editing mode: Press to confirm and save the settings. c) During a home call: Press to transfer the call to another handset or the speaker pod. d) In calls list entry: Press to save the entry to the phonebook. e) In phonebook entry: Press to go to sub-menus of phonebook.
3	SCROLL UP/VOLUME UP a) In menu mode: Press to scroll up. b) In editing mode: Press to move the cursor to the left. c) During a call: Press to increase the volume. d) Calls list/phonebook/redial list: Press to scroll up the list. e) In answering machine message playing mode: Press to increase the volume.
4	RIGHT/CALLS LIST a) In idle mode/during a call: Press to access calls list. b) In editing mode: Press to move the cursor to the right.
5	CELLULAR a) In pre-dial mode: Press to make a cellular call. b) Calls list/phonebook/redial list: Press to make a cellular call to the selected entry. c) During cellular line ringing: Press to answer the cellular call. d) During a cellular call: Press to end the cellular call.
6	SCROLL DOWN/VOLUME DOWN/REDIAL LIST a) In idle mode: Press to access redial list. b) In menu mode: Press to scroll down. c) In editing mode: Press to move the cursor to the right. d) During a call: Press to decrease the volume. e) Calls list/phonebook/redial list: Press to scroll down the list. f) In answering machine message playing mode: press to decrease the volume.
7	ALPHANUMERIC KEYPAD a) In idle/pre-dial/editing mode/during a call: Press to enter characters/numbers. b) In idle mode: Press and hold to activate speed dial (from <key 1> to <key 9>).
8	#/ PAUSE/ ABC/ FORMAT a) In idle/pre-dial/number editing mode/during a call: Press to insert a "#", press and hold to insert a pause (P). b) In name editing mode: Toggle ABC/abc format. Press and hold to insert a space. c) In calls list entry: Press to toggle the Caller ID display format among 7, 8, 10 and 11 digits when returning calls from Caller ID list. d) In phonebook entry: If the number is more than 15 digits, press to view the next page of remaining digits.
9	FLASH a) In pre-dial/number editing mode: Press to insert a flash. b) During a call: Press to switch to another call.
10	MICROPHONE
11	SPEAKER a) In idle/pre-dial mode: Press to make a home call with speakerphone. b) During a call: Press to toggle between the speakerphone and the earpiece. c) Calls list/phonebook/redial list: Press to make a home call to the selected entry with speakerphone. d) During ringing: Press to answer a call with speakerphone. e) In answering machine message playing mode: Press to toggle the message playback with earpiece/speakerphone
12	*/ TONE a) In idle/pre-dial/editing mode: Press to insert a "*" . b) During a call: Press to switch from pulse to tone dialing temporarily if pulse mode was selected before. After the call has been ended, the dial mode will change back to pulse automatically. c) In phonebook entry: If the number is more than 15 digits, press to view the previous page of remaining digits.
13	HOME a) In idle/pre-dial mode: Press to make a home call with earpiece. b) Calls list/phonebook/redial list: Press to make a home call to the selected entry with earpiece. c) During home line ringing: Press to answer the home call. d) During a home call: Press to end the home call.
14	PHONEBOOK a) In idle mode/during a call: Press to access the phonebook. b) In editing mode: Press to move the cursor to the left.
15	ANSWERING MACHINE/ MUTE/ CLEAR/ BACK/ X a) In idle mode: Press to play message from the answering machine. b) In menu mode/calls list/phonebook: Press to exit to the previous menu level. c) In menu/pre-dial mode/calls list/phonebook: Press and hold to go back to idle screen. d) In pre-dial/editing mode: Press to delete one character/digit. e) In pre-dial/editing mode: Press and hold to delete all characters/digits. f) During a call: Press to mute/resume the call. g) In answering machine message playing mode: Press to delete the current message.

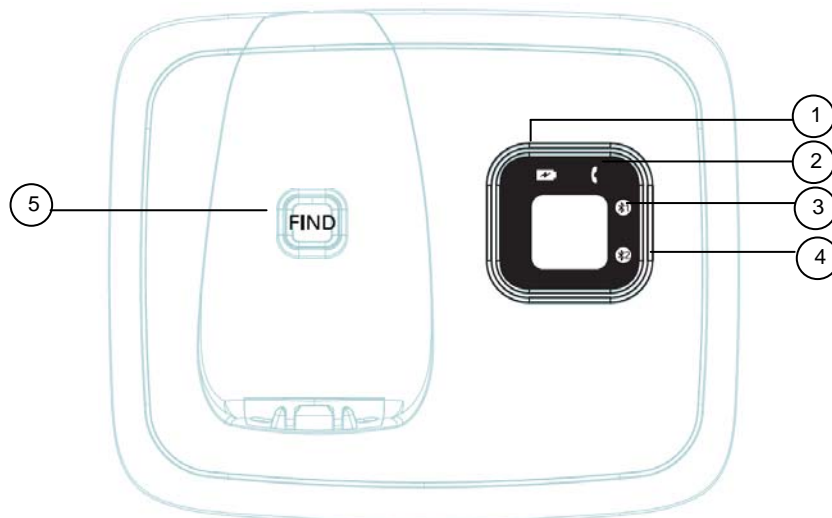
Handset LCD display



Display icons

	On when the speakerphone is turned on.
	On when the answering machine is turned on. Flashes when a new answering machine message is received.
NEW	On when a new call has been received.
	On when the ringer volume is turned off.
	On when a new voice mail message is received, if a voice mail service is being used (For home line only).
MUTE	On when a call is muted.
	Full battery power level.
	2/3 battery power level.
	1/3 battery power level.
	Flashes when low battery level is detected and the handset needs to be charged.
	Internal bars cycling indicates the battery is charging.
	In idle mode, the current time is displayed. In Caller ID mode, the time of call is displayed.
	On when the Home line is in use. Flashes when the Home line is put on hold.
	On when the Cellular line is in use. Flashes when the Cellular line is put on hold.
	On when the Bluetooth feature is activated.
	On when Bluetooth device 1 or 2 is connected with the telephone base.
	In idle mode, the current date is displayed. In Caller ID mode, the date of the call is displayed.

Overview of the base

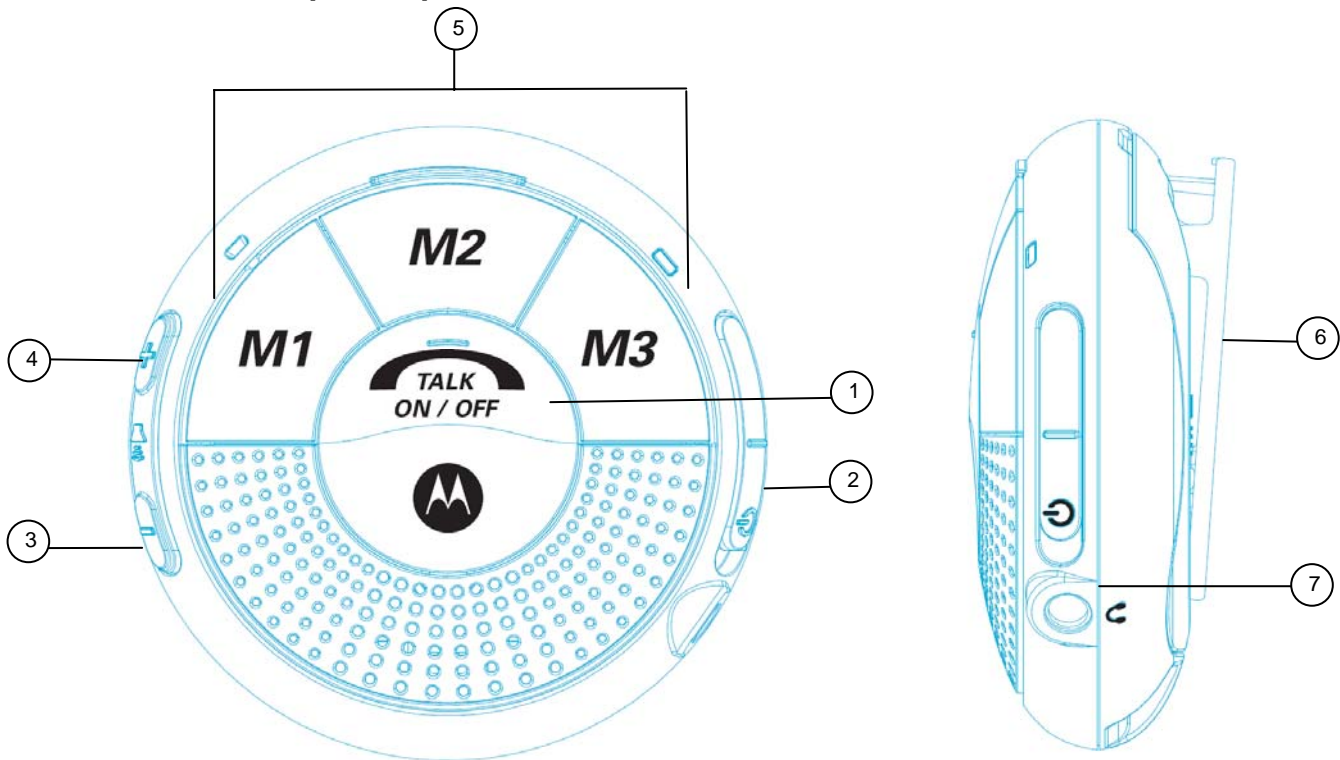


1	CHARGING LED-GREEN a) Steadily On: When the handset is put into base cradle for charging.
2	IN USE LED-RED a) Steadily On: During a call or when an extension phone (another registered handset or speaker pod) is engaged. b) Flashing at a rate similar to the incoming ring pattern: During an incoming call. c) Flashing briefly on and off for around 2 minutes: During paging or registration.
3	CELL 1 LED-BLUE a) Steadily on: When Bluetooth device #1 is paired and connected to the base. b) Flashes: When Bluetooth device #1 is disconnected.
4	CELL 2 LED-BLUE a) Steadily on: When Bluetooth device #2 is paired and connected to the base. b) Flashes: When Bluetooth device #2 is disconnected.
5	FIND a) Press to find/page all registered handsets or the speaker pod. Press the button again, or any key on the handset or press <TALK ON/OFF> on the speaker pod, to stop paging. b) Press and hold to enter registration mode.

Base LED indicators

7-SEG LED DISPLAY	
--	Answering machine is OFF.
00	There is no message in the answering machine.
09	Flash in idle: Indicates the number of new answering machine messages. (e.g. there are 9 answering machine messages in total, with a capacity of 59.) Steadily On: All the new messages have been listened to and there are 9 answering machine messages in total.
FF	Flashing: The memory of the answering machine is full.
An/09	Flashing: Indicates an incoming call/recording of an incoming call. The number (e.g. 09) indicates the total number of new messages.
LA	Flashing: Indicates the handset or line remote access is in progress.

Overview of the speaker pod



1	TALK ON/OFF a) In idle mode/during charging: Press to go off-hook or join the conference call with another handset if a call has already been answered on the handset. b) During ringing: Press to answer the call. c) During a call: Press to end the call.
2	POWER SWITCH a) Slide to power on/off the speaker pod.
3	VOLUME DOWN/FLASH a) In idle mode/during charging: Press and hold together with VOLUME UP key for about 10 seconds to initiate the registration mode. (if the speaker pod is not registered) b) In idle mode/during charging/during ringing: Press to decrease the ringer volume. c) During a call: Press to decrease the speaker volume. Press and hold to insert a flash.
4	VOLUME UP a) In idle mode/during charging: Press and hold together with VOLUME DOWN/FLASH key for about 10 seconds to initiate the registration mode. (if the speaker pod is not registered) b) In idle mode/during charging/during ringing: Press to increase the ringer volume. c) During a call: Press to increase the speaker volume.
5	MEMORY KEYS (M1/M2/M3) a) In idle mode/during charging: Press to make a call to the stored number. b) During a call: Press to dial the stored number.(Optional)
6	CLIP
7	HEADSET JACK

Speaker pod LED indicators

COLOR	STATUS	DESCRIPTION
Purple	Flashing slowly:	Indicates that the speaker pod is unregistered or out of range.
Blue	Steadily on	Indicates that the speaker pod is off hook.
	Steadily on for 3 seconds and then goes off	Indicates that the speaker pod has completed registration successfully.
	Long flashing	Indicates that the speaker pod is in idle mode and off the base cradle.
	Flashing continuously	Indicates that the speaker pod is ringing.
Red	Steadily on	Indicates that the speaker pod is charging on the base cradle.
	Double flashing	Indicates that the battery is low.
Red/Blue	Toggle display	Indicates that the speaker pod is in registration mode.

Doc Title :	User's Guide	Revision :	1.0
Model :	Motorola S70×BT	Page(s) :	14 of 29

3 USING THE PHONE

3.1 Introducing Bluetooth

Your new telephone system with Bluetooth wireless technology has the following features:

- Pairing a Bluetooth enabled mobile phone with the telephone base. Up to two Bluetooth enabled mobile phones can be paired up and connected.
- Connecting a Bluetooth enabled mobile phone to make and receive CELLULAR calls. Up to two mobile phones can be connected but only one of them can be used at a time.
- Making and receiving calls using your Bluetooth enabled mobile phone plan while benefiting from the ease and comfort of your home telephone system.

Glossary of terms

Below are some terms used in this User's Guide to help you become familiar with using your Bluetooth devices and your new telephone system.

Bluetooth mobile phone - Refers to a Bluetooth enabled mobile telephone.

CELLULAR line - The communications service provided through your Bluetooth enabled mobile telephone.

HOME line - Your conventional telephone land line.

Pairing - This refers to the process of two Bluetooth devices registering device information with each other. The telephone base must be paired with a Bluetooth enabled mobile phone before the Bluetooth device can be used.

IMPORTANT INFORMATION

- Refer to the User's Guide of your mobile phone for more information about its Bluetooth function.
- Make sure that your Bluetooth enabled mobile phone is between one to twelve feet away from the telephone base in order to maintain a clear and consistent connection among your Bluetooth mobile phone, telephone base and cell tower.
- Make sure that your Bluetooth enabled mobile phone has sufficient signal strength. You may need to move the Bluetooth enabled mobile phone and telephone base to a location where the cellular signal may be stronger.
- Charge your Bluetooth mobile phone while it is connected to the telephone base because your mobile phone's battery will discharge faster while it is connected wirelessly to the telephone base.
- Monitor your mobile phone's usage because airtime is deducted from your cellular plan for the duration of the CELLULAR calls.

3.2 Bluetooth Setup

3.2.1 Setup Cellular

To pair and connect a Bluetooth enabled mobile phone:

- Place your mobile phone near the handset and base unit.
- Press <MENU> and then <VOL+> or <REDIAL/VOL-> to select BLUETOOTH.
- Press <MENU> and then <VOL+> or <REDIAL/VOL-> to select SETUP CELLULAR.
- Press <MENU> and display will show CELLULAR READY?
- Press <MENU> and display will show DISCOVERABLE MODE. The Bluetooth feature will be activated.
- Using your Bluetooth enabled mobile phone, turn on the Bluetooth feature and search for a new device.
- Once your Bluetooth enabled mobile phone has found the **Motorola S701BT / S702BT / S703BT / S704BT / S705BT** telephone, select it.
- Using your Bluetooth enabled mobile phone, enter the PIN code of the telephone (the default PIN code is 0000) to continue the pairing process.
- Pairing will be confirmed when you hear a tone and the Bluetooth icon appears on the handset. The handset displays COMPLETED.

Refer to the User's Guide of your Bluetooth enabled mobile phone to learn how to search for or add new Bluetooth devices.

NOTE

- Paired device(s) will be connected automatically and stored into the paired devices list.
- When a device is successfully connected, the corresponding <device #1 icon> or <#2 icon> will be displayed.

Doc Title :	User's Guide	Revision :	1.0
Model :	Motorola S70×BT	Page(s) :	15 of 29

- If you would like to pair up another Bluetooth device, please repeat the steps as above.

3.2.2 Replacing a paired device

If you have already paired up two Bluetooth enabled mobile devices, you will need to replace one of them if you would like to pair up another device. Follow the steps below to replace and pair up a new device.

- Press <MENU> and then <VOL+> or <REDIAL/VOL-> to select BLUETOOTH.
- Press <MENU> and then <VOL+> or <REDIAL/VOL-> to select SETUP CELLULAR.
- Display will show the two cellular names of the paired devices.
- Press <VOL+> or <REDIAL/VOL-> to select the cellular device you would like to replace.
- Press <MENU> to confirm. Display will show REPLACE THE CELLULAR?
- Press <MENU> to confirm. Display will show CELLULAR READY?
- Refer to section 3.2.1 to proceed with the next steps.

NOTE

When pairing a new cellular, the connected cellular will be disabled temporarily.

3.2.3 Paired devices

The cellular(s) paired up will be displayed in the paired devices list, no matter whether it(they) is(are) connected or not. You can choose to connect, or remove the cellular from this menu.

1. Press <MENU> and then <VOL+> or <REDIAL/VOL-> to select BLUETOOTH.
2. Press <MENU> and then <VOL+> or <REDIAL/VOL-> to select PAIRED LIST.
3. Press <MENU> and then display will show the Cellular name(s) of paired device(s).

NOTE

Display will show NO PAIRED DEVICE if there is no device paired up.

4. Press <VOL+> or <REDIAL/VOL-> to select the desired cellular device.

For the connected cellular device:

5. Press <MENU> to remove the cellular device. Display will show REMOVE THE CELLULAR?
6. Press <MENU> to confirm.

For the cellular device that is not connected:

5. Press <MENU> and then <VOL+> or <REDIAL/VOL-> to select CONNECT or REMOVE CELLULAR.
6. Press <MENU> to confirm. If you select REMOVE CELLULAR, press <MENU> again to confirm.

NOTE

- When the connected cellular is removed, the corresponding <device #1 icon> or <#2 icon> will be off.
- When the disconnected cellular is connected, the corresponding <device #1 icon> or <#2 icon> will be on.
- When the cellular is removed, the device name will be removed and EMPTY will be displayed instead in the paired devices list.

3.3 Making a home call using your landline

1. Enter the phone number and press <HOME> or <SPEAKER> to dial the phone number.

3.4 Making a cellular call using your cordless DECT handset

If there is only one Bluetooth enabled mobile phone paired up and connected,

1. Enter the phone number, and then press <CELLULAR> to dial out.

If there are two Bluetooth enabled mobile phones paired up and connected,

1. Enter the phone number, press <CELLULAR> and then <VOL+> or <REDIAL/VOL-> to select the desired cellular device.
2. Press <MENU> or <CELLULAR> to dial out.

NOTE

If the cellular device is paired up but not connected, you should connect the cellular device before making an external cellular call.

Doc Title :	User's Guide	Revision :	1.0
Model :	Motorola S70×BT	Page(s) :	16 of 29

3.5 Speed dial calling

1. In idle mode, press and hold a key from <1> to <9> until the number is displayed and dialed.

3.6 Answering a home call

Through the handset:

1. Press <HOME> or <SPEAKER> to answer the incoming home call.

Through the speaker pod:

1. If the speaker pod is off the charging cradle, press <TALK ON/OFF> to answer the incoming home call.

OR

1. If the speaker pod is on the charging cradle, lift the speaker pod from the cradle to answer the incoming home call.

3.7 Answering a cellular call

1. Press <CELLULAR> or <SPEAKER> to answer the incoming cellular call.

NOTE

The speaker pod cannot be used to answer the cellular call.

3.8 Receiving a cellular call while on a home call

A short beep during a HOME call indicates that there is an incoming CELLULAR call and the screen will display the caller ID.

To answer the incoming cellular call:

- Press <CELLULAR> on the handset. The home call will be placed on hold automatically and <HOME LINE ICON> will start flashing.

To swap the line to a home call:

- While talking on a cellular call, press <HOME> on the handset to swap to the home call. The cellular call will be placed on hold automatically and <CELLULAR LINE ICON> will start flashing.

To end the cellular call:

- Press <CELLULAR> on the handset. The home call will be resumed automatically.

3.9 Receiving a home call while on a cellular call

A short beep during a CELLULAR call indicates that there is an incoming HOME call and the screen will display the caller ID.

To answer the incoming home call:

- Press <HOME> on the handset. The cellular line call will be placed on hold automatically and <CELLULAR LINE ICON> will start flashing.

To swap the line to a cellular call:

- While talking on a home call, press <CELLULAR> on the handset to swap to the cellular call. The home call will be placed on hold automatically and <HOME LINE ICON> will start flashing.

To end the home call:

- Press <HOME> on the handset. The cellular call will be resumed automatically.

3.10 Ending a home call

Through the handset:

1. During a home call, press <HOME> or put the handset on the base.

Through the speaker pod:

1. During a home call, press <TALK ON/OFF> or put the speaker pod on the charging cradle.

3.11 Ending a cellular call

1. During a cellular call, press <CELLULAR> or put the handset on the base.

3.12 Adjusting volume

Through the handset:

1. During a call, press <VOL+> or <REDIAL/VOL-> to adjust the volume.

Through the speaker pod:

1. During a call, press <VOL+> or <VOL-/FLASH> to adjust the speaker volume.

Doc Title :	User's Guide	Revision :	1.0
Model :	Motorola S70×BT	Page(s) :	17 of 29

3.13 Muting a call

1. During a call, press <MUTE> to mute the microphone and "**MUTED**" will be displayed on the screen. You can talk to someone else in the room without your caller hearing you.
2. Press <MUTE> again to resume the microphone.

3.14 Dialing from the redial list

1. Press <REDIAL/VOL-> and then <VOL+> or <REDIAL/VOL-> to scroll and select the entry you want to redial.
 2. Press <HOME> or <SPEAKER> to dial the number from the home line.
- OR
2. Press <CELLULAR> to dial the number from the cellular line.

3.15 Dialing from the calls list

1. Press <RIGHT/CALLS LIST> and then <VOL+> or <REDIAL/VOL-> to scroll and select the entry you want to dial.
 2. Press <#/ABC/PAUSE/FORMAT> to toggle the format of the dialing number.
 3. Press <HOME> or <SPEAKER> to dial the number from the home line.
- OR
3. Press <CELLULAR> to dial the number from the cellular line.

3.16 Adding an entry to the phonebook

1. Press <PHONEBOOK>.
2. Press <MENU> and then <VOL+> or <REDIAL/VOL-> to scroll and select ADD.
3. Press <MENU> and then enter the name.
4. Press <MENU> and then enter the number.
5. Press <MENU> to save the entry.

NOTE

Numbers can be up to 24 digits long and names up to 16 characters long. Entries are stored in alphabetical order.

3.17 Storing a phonebook entry as a one touch number

1. Press <PHONEBOOK>.
2. Press <MENU> and then <VOL+> or <REDIAL/VOL-> to select SPEED DIAL.
3. Press <MENU> and then <VOL+> or <REDIAL/VOL-> to select the speed dial key from <KEY 1> to <KEY 9>.
4. Press <MENU> and then <VOL+> or <REDIAL/VOL-> to scroll to the entry you want.
5. Press <MENU> to save the setting.

3.18 Dialing from the phonebook

1. Press <PHONEBOOK> and then <VOL+> or <REDIAL/VOL-> to scroll and select the entry you want to dial.
 2. Press <HOME> or <SPEAKER> to dial the number from the home line.
- OR
2. Press <CELLULAR> to dial the number from the cellular line.

TIPS

Instead of scrolling to browse the phonebook entries, press the numeric key corresponding to the first letter of the entry you wish to locate. For example, pressing <KEY 2> will show the entries starting with A. Pressing <KEY 2> again will show the entries starting with B, etc.

3.19 Caller ID

If you have subscribed to Caller ID service, and provided the identity of the caller is not withheld, the number of the caller will be displayed together with the date and time of the call (if provided by the network).

NOTE

- If the telephone number is not available for incoming calls, the handset will display UNAVAILABLE.
- If the incoming call is from a withheld telephone number, the handset will display PRIVATE.
- Information about incoming calls will vary by country and network operator. Some operators may charge the subscription for their Caller ID service.

Doc Title :	User's Guide	Revision :	1.0
Model :	Motorola S70×BT	Page(s) :	18 of 29

3.19.1 Calls List

The calls list contains details of missed and received calls. Details include the date and time of the call. Entries are displayed in chronological order with the most recent call at the top of the list.

NOTE

- When the calls list is full, a new call will replace the oldest one in the list.
- Details of up to 30 calls may be stored.
- If you receive more than one call from the same number, only the most recent call is stored in the calls list.
When you have missed calls (incoming calls that you have not answered), the <NEW icon> will be displayed on the screen of all handsets registered to the base. If one handset is used to view the calls list, the <NEW icon> on other handsets will still remain on (For multi-pack use only).

3.19.2 Viewing the calls list

1. Press <RIGHT/CALLS LIST> to enter the calls list.
2. Press <VOL+> or <REDIAL/VOL-> to browse the calls list.

NOTE

- When reviewing an entry from the calls list, press <#/ ABC/PAUSE/FORMAT> repeatedly to display the number in different formats.

For example, if a caller number is displayed as 888-331-3383, the various formats will be:

331-3383

1-331-3383

888-331-3383

1-888-331-3383

You may choose the desired number format for local or long distance numbers before dialing or saving it into the phonebook.

- The <NEW icon> is removed once the new call has been viewed.

3.19.3 Saving a number from the calls list to the phonebook

1. Press <RIGHT/CALLS LIST> to enter the calls list.
2. Press <VOL+> or <REDIAL/VOL-> to select the entry you want.
3. Press <MENU> to select SAVE TO PB.
4. Press <MENU> and then enter the name if desired.
5. Press <MENU> and then edit the number if desired.
6. Press <MENU> to save the entry.

3.19.4 Deleting a calls list entry

1. Press <RIGHT/CALLS LIST> to enter the calls list.
2. Press <VOL+> or <REDIAL/VOL-> to scroll to the entry you want.
3. Press <MENU> and then <VOL+> or <REDIAL/VOL-> to select DELETE.
4. Press <MENU> to confirm and the entry will be deleted.

3.19.5 Deleting the entire calls list

1. Press <RIGHT/CALLS LIST> to enter the calls list.
2. Press <MENU> and then <VOL+> or <REDIAL/VOL-> to select DELETE ALL.
3. Press <MENU> and DELETE ALL CALL LOG ENTRIES? will be displayed.
4. Press <MENU> to confirm. All entries will be deleted.

NOTE

You need to review a call before you delete the record from the calls list.

3.20 Personal Settings

Menu Map

MAIN MENU	DATE & TIME	PHONEBOOK	INTERCOM	SETUP HS	SETUP BS	MEMORY KEYS	BLUETOOTH	ANSWER MACHINE	RESET SETTINGS
SUB MENU	YEAR DATE TIME	VIEW ADD EDIT DELETE DELETE ALL PB CAPACITY SPEED DIAL		RINGER TONE RINGER VOLUME KEY TONE LOW BATT TONE OUT RANGE TONE HANDSET NAME LANGUAGE LCD CONTRAST REGISTRATION	DIAL MODE FLASH TIME AREA CODE	M1 M2 M3	SETUP CELLULAR PAIRED LIST	ANSWERER ON (if answering machine is off) Or ANSWERER OFF (if answering machine is on) ANSWERER MODE RINGS TO ANSWER ANNOUNCEMENT RECORD MEMO CALL SCREENING DEL ALL OLD MSG REMOTE ACCESS SECURITY CODE	CLR VOICE MAIL ALL SETTINGS

1. Press <MENU>.
 2. Press <VOL+> or <REDIAL/VOL-> to scroll through the menu.
 3. Press <MENU> to open sub-menus and/or save settings.
- Press <MUTE/CLEAR/BACK/X> to go back to previous menu level or cancel an action.

If you do not press any button on the handset for 30 seconds, the display will automatically return to standby. It will also return to standby when the handset is placed on the base or charger.

3.21 Intercom

This feature is only available when there are at least two registered handsets or a handset and a speaker pod. It allows you to make internal calls, transfer external home calls from one handset to another handset or the speaker pod, and use the conference option.

NOTE

Cellular call cannot be transferred.

3.21.1 Calling another handset or the speaker pod or all handsets

1. Press <MENU> and then <VOL+> or <REDIAL/VOL-> to select INTERCOM.
2. Press <MENU> and then <VOL+> or <REDIAL/VOL-> to select the handset or the speaker pod you want to call or select ALL HANDSETS.
3. Press <MENU> to make the call.
4. Press <HOME> to hang up.

NOTE

If the handset is not within the valid operation range, this function may not be available.

During an intercom call, you will hear an alert tone if there is an incoming external call. You need to press <HOME> to hang up the intercom call before answering the incoming external call.

3.21.2 Transferring an external home call to another handset or the speaker pod

1. During an external home call, press <MENU>.-Your call will be put on hold.
2. Press <VOL+> or <REDIAL/VOL-> to select the handset or the speaker pod you want to call.
3. Press <MENU> to call the handset or the speaker pod.
4. When the other handset answers by pressing <HOME> or <SPEAKER> or the speaker pod answers by pressing <TALK ON/OFF>, press <HOME> on the calling handset to transfer the call. If the other handset or the speaker pod does not answer, press <MUTE/CLEAR/BACK/X> to talk to your caller again.

NOTE

- You are not allowed to use the speaker pod to initiate an intercom call.
- To transfer the call from handset to speaker pod, you can also press <TALK ON/OFF> on the speaker pod to join the call, and then hang up the call on handset.

Doc Title :	User's Guide	Revision :	1.0
Model :	Motorola S70×BT	Page(s) :	20 of 29

3.21.3 Three-party conference call

1. During an external home call, press <MENU>. -Your call will be put on hold.
2. Press <VOL+> or <REDIAL/VOL-> to select the handset or the speaker pod you want to call.
3. Press <MENU> to call the handset or the speaker pod.
4. When the other handset or the speaker pod answers the intercom call, press <MENU> on the calling handset to set up the conference call.
5. Press <HOME> on any handset to end a three-party conference call and leave the other handset or the speaker pod engaged with the caller, or press <TALK ON/OFF> on the speaker pod to hang up and leave the other handset engaged with the caller.

NOTE

During an external call, pressing <HOME> or <SPEAKER> on any handset, or pressing <TALK ON/OFF> on the speaker pod will join in the call and set up a conference call.

3.22 Setting the dial mode

The default dialing mode is suitable for your country and network operator. It is unlikely that you should need to change this setting unless advised to do so.

1. Press <MENU> and then <VOL+> or <REDIAL/VOL-> to select SETUP BS.
2. Press <MENU> to select DIAL MODE.
3. Press <MENU> and then <VOL+> or <REDIAL/VOL-> to select TONE or PULSE.
4. Press <MENU> to save the setting.

NOTE

If pulse mode is selected, press <*/TONE> to switch from pulse to tone dialing temporarily when dialing out. After the call is ended, the dial mode will change back to pulse automatically.

3.23 Setting the flash time

The default flash time is suitable for your country and network operator. It is unlikely that you should need to change this setting unless advised to do so.

1. Press <MENU> and then <VOL+> or <REDIAL/VOL-> to select SETUP BS.
2. Press <MENU> and then <VOL+> or <REDIAL/VOL-> to select FLASH TIME.
3. Press <MENU> and then <VOL+> or <REDIAL/VOL-> to the flash time you want. (8 options are available: 90, 100, 110, 250, 300, 400, 600 and 700MS)
4. Press <MENU> to save the setting.

3.24 Setting the area code

1. Press <MENU> and then <VOL+> or <REDIAL/VOL-> to select SETUP BS.
2. Press <MENU> and then <VOL+> or <REDIAL/VOL-> to select AREA CODE.
3. Press <MENU> and enter the area code.
4. Press <MENU> to save the setting.

3.25 Registration

3.25.1 Registering a handset

Up to 5 handsets or speaker pods can be registered to one base. The original handset is pre-registered to use. Additional handsets must be registered to the base before you can use them.

To register an additional handset,

1. Press <MENU> and then <VOL+> or <REDIAL/VOL-> to select SETUP HS.
2. Press <MENU> and then <VOL+> or <REDIAL/VOL-> to select REGISTRATION.
3. Press <MENU> and then <VOL+> or <REDIAL/VOL-> to select YES or NO.
4. Select YES and press <MENU> to enter the registration procedure as follows:
 - 1) Press and hold <FIND> for around 4 seconds on the base, release once **IN USE LED** is flashing.
 - 2) Place the unregistered handset on the base or charger.
 - 3) A confirmation tone is generated if registration is successful. Handset X is displayed where X denotes the number of handsets, and then the phone returns to idle.

To register an originally unregistered handset, follow steps 1) through 3) above.

3.25.2 Registering a speaker pod

The speaker pod is pre-registered at the factory. If the speaker pod is unregistered, the light on it will turn on purple and start flashing slowly.

To register a speaker pod,

1. Press and hold <FIND> for around 4 seconds on the base, release once **IN USE LED** is flashing.
2. Press and hold <VOL+> together with <VOL-/FLASH> until the light on the speaker pod start toggling between red and blue.
3. If the registration is successful, the light on the speaker pod will turn on blue and remain steadily on for 3 seconds.

3.26 Resetting all settings

1. Press <MENU> and then <VOL+> or <REDIAL/VOL-> to select RESET SETTINGS.
2. Press <MENU> and then <VOL+> or <REDIAL/VOL-> to select ALL SETTINGS.
3. Press <MENU> to select YES. All personalized settings will be reset to default.

NOTE

All of your phonebook entries, calls list and redial list will remain unchanged after resetting.

3.27 Paging/Finding handsets and/or a speaker pod



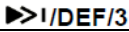
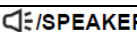
Press <FIND> on the base. All handsets and the speaker pod registered to the base will ring or beep.

To stop the paging, press <FIND> again, or press any key on the handset or press <TALK ON/OFF> on the speaker pod, or place the handset on the base.

3.28 Using your answering machine

3.28.1 Playing messages

1. Press <ANSWERING MACHINE/MUTE/CLEAR/BACK/X> on the handset from idle mode. New messages will be played followed by any older messages.
2. During message playback, press the keys below on the handset to perform the following functions:

 /1	Press to repeat the current message from the beginning. Press twice to play the previous message.
 /ABC/2	Press to stop the current message playback.
 /DEF/3	Press to skip to play the next message.
<KEY 5> or <MUTE/ CLEAR/BACK/X>	Press to delete the current message and the next message will be played.
VOL+	Press to increase the volume.
REDIAL/VOL-	Press to decrease the volume.
 /SPEAKER	Press to toggle the message playback with earpiece/speakerphone.

NOTE

When you are on either a cellular call or a home call, the answering system will not answer the second incoming call.

3.28.2 Turning on or off the answering machine

1. Press <MENU> and then <VOL+> or <REDIAL/VOL-> to select ANSWER MACHINE.
2. Press <MENU> and then <VOL+> or <REDIAL/VOL-> to select ANSWERER ON or ANSWERER OFF. If the answering machine is turned on originally, ANSWERER OFF will be displayed. If the answering machine is turned off originally, ANSWERER ON will be displayed.
3. Press <MENU> to confirm the setting.

3.28.3 Setting the announcement mode

1. Press <MENU> and then <VOL+> or <REDIAL/VOL-> to select ANSWER MACHINE.
2. Press <MENU> and then <VOL+> or <REDIAL/VOL-> to select ANSWERER MODE.
3. Press <MENU> and then <VOL+> or <REDIAL/VOL-> to select the announcement modes:
 - ANNC & RECORD invites your callers to leave a message.
 - ANNOUNCE ONLY lets callers hear your announcement but they cannot leave a message.
4. Press <MENU> to save the setting.

Doc Title :	User's Guide	Revision :	1.0
Model :	Motorola S70×BT	Page(s) :	22 of 29

3.28.4 Setting the rings to answer

1. Press <MENU> and then <VOL+> or <REDIAL/VOL-> to select ANSWER MACHINE.
2. Press <MENU> and then <VOL+> or <REDIAL/VOL-> to select RINGS TO ANSWER.
3. Press <MENU> and then <VOL+> or <REDIAL/VOL-> to select the rings to answer. (4 options are available: TOLL SAVER, 3, 4, or 5 RINGS).
4. Press <MENU> to save the setting.

NOTE

If Toll Saver setting is selected, the answering machine will pick up after two rings if there are new messages, and after four rings if there is no message.

3.28.5 Announcement

This is the message your callers hear on the answering machine. There are two pre-recorded outgoing messages, or you can record your own message.

3.28.5.1 Recording the announcement

1. Press <MENU> and then <VOL+> or <REDIAL/VOL-> to select ANSWER MACHINE.
2. Press <MENU> and then <VOL+> or <REDIAL/VOL-> to select ANNOUNCEMENT.
3. Press <MENU> to select RECORD.
4. Press <MENU> and then <VOL+> or <REDIAL/VOL-> to select the answer mode ANNC & RECORD or ANNOUNCE ONLY.
5. Press <MENU> to start recording after the beep.
6. Press <MENU> again to stop recording and save the message. The just saved message is played automatically.

NOTE

When playing the recorded message, press <MUTE/CLEAR/BACK/X> to delete it and the pre-recorded message will be set automatically.

3.28.5.2 Playing the announcement

1. Press <MENU> and then <VOL+> or <REDIAL/VOL-> to select ANSWER MACHINE.
2. Press <MENU> and then <VOL+> or <REDIAL/VOL-> to select ANNOUNCEMENT.
3. Press <MENU> and then <VOL+> or <REDIAL/VOL-> to select PLAY.
4. Press <MENU> and then <VOL+> or <REDIAL/VOL-> to select the answer mode ANNC & RECORD or ANNOUNCE ONLY.
5. Press <MENU> and the message will be played.

3.28.6 Recording a memo

You can record a memo which is stored in your answering machine and played back like a normal message.

1. Press <MENU> and then <VOL+> or <REDIAL/VOL-> to select ANSWER MACHINE.
2. Press <MENU> and then <VOL+> or <REDIAL/VOL-> to select RECORD MEMO.
3. Press <MENU> to start recording.
4. Press <MENU> again to stop recording and save the message. The just saved message is played automatically.

NOTE

When playing the message, press <MUTE/CLEAR/BACK/X> to delete it.

3.28.7 Call screening on/off

Call screening allows you to hear the message being recorded, and if you want, you may interrupt the message recording and take the call.

1. When the answering machine is recording, the handset displays SCREENING?.
2. Press <MENU> to listen to the caller through the handset earpiece, the handset displays CALL SCREENING.
3. Press <SPEAKER> to listen with the handset loudspeaker.
4. Press <MUTE/CLEAR/BACK/X> to stop screening and leave the answering machine to record the message.
5. Press <HOME> to talk to the caller and stop recording.

3.28.8 Deleting all old messages

1. Press <MENU> and then <VOL+> or <REDIAL/VOL-> to select ANSWER MACHINE.

Doc Title :	User's Guide	Revision :	1.0
Model :	Motorola S70×BT	Page(s) :	23 of 29

2. Press <MENU> and then <VOL+> or <REDIAL/VOL-> to select DEL ALL OLD MSG.
3. Press <MENU>. DELETE ALL OLD MESSAGES? will be displayed.
4. Press <MENU> to confirm the setting.

NOTE

When the answering machine is full, <TAM Icon> will flash if there are new messages. ERASE SOME ANSWERER MSG will toggle within 2 seconds with MEMORY FULL. At this point, delete some messages to free up the memory.

3.28.9 Remote access

Remote access allows you to operate your answering machine and listen to your messages by calling from external line.

To turn the remote access on/off,

1. Press <MENU> and then <VOL+> or <REDIAL/VOL-> to select ANSWER MACHINE.
2. Press <MENU> and then <VOL+> or <REDIAL/VOL-> to select REMOTE ACCESS.
3. Press <MENU> and then <VOL+> or <REDIAL/VOL-> to select ON or OFF.
4. Press <MENU> to confirm the setting.

To remotely access your answering system from external line, you need to key in 4-digit security code at the external terminal (default code is 0000).

After entering the remote access mode, press the following keys to carry out your desired function.

Press...	To...
1	Press once to repeat the current message from the beginning. Press twice to play the previous message.
2	Play/Stop the current message playback.
3	Skip forward to the next message
4	Toggle Answer Off/Announce Only/Announce and Record modes
5	Delete the message
7	Listen to the Main Menu (for Full Voice prompts only)

3.28.10 Setting the security code

This is used to change the remote access PIN if necessary.

1. Press <MENU> and then <VOL+> or <REDIAL/VOL-> to select ANSWER MACHINE.
2. Press <MENU> and then <VOL+> or <REDIAL/VOL-> to select SECURITY CODE.
3. Press <MENU> and then enter the 4-digit security code.
4. Press <MENU> to save the setting.

4 HELP

I cannot pair my mobile phone to the telephone base

- Make sure the Bluetooth function of your Bluetooth enabled mobile phone is turned on. See the User's Guide of your mobile phone for more information.
- Make sure the handset, base unit and mobile phone are located near each other.
- Remove the **Motorola S701BT / S702BT / S703BT / S704BT / S705BT** from your mobile phone's Bluetooth device history list (see the User's Guide of your mobile phone for more information).
- Carefully follow the pairing instructions in the User's Guide, make sure that your mobile phone is not connected to any other Bluetooth device(s).
- Turn off your mobile phone, and then turn it on again.
- Reset the telephone base. Unplug the unit's electrical power. Wait for approximately 15 seconds, and then plug it back in. Repeat the above suggestions.

The <Battery> icon is not scrolling when the handset is placed on the base

- Handset not properly seated on the base cradle –readjust the handset on the base.
- Dirty contact – clean the charge contacts by wiping with an alcohol moistened cloth.
- Battery is full –charging is not necessary at this time.

Doc Title :	User's Guide	Revision :	1.0
Model :	Motorola S70×BT	Page(s) :	24 of 29

No dial tone

- If there is no base power, check the connections. Reset the phone by unplugging then plugging it back into an electrical outlet.
- If the handset batteries are empty, recharge the battery pack for at least 24 hours.
- Move the handset closer to the base.
- Be sure to use only the provided telephone cords.

Poor audio quality

- If the base is too close to electrical appliances, reinforced concrete walls, or metal door frames, move the base from these areas.

No ring tone

- The ringer may be off.
- The volume may need to be increased.

Caller ID does not work

- Check your subscription with your network operator.
- If you subscribe to high-speed internet service (Digital Subscriber Line – DSL) through your telephone lines, you must install a DSL filter between the telephone base and the telephone wall jack. The filter will prevent noise and caller ID problems caused by DSL interference. Please contact your DSL service provider for more information about DSL filters.

A phonebook entry cannot be stored

- The phonebook is full. Delete an entry to free memory.

No display

- Try recharging or replacing the rechargeable battery pack.
- Reset the base. Unplug the unit's electrical, then plug it back in.
- If the LED is not lit up, then try to unplug the unit's electrical power, and then plug it back in.

If the handset/speaker pod disconnects from the base during a phone call

- Check that the power cord is connected properly into the base.
- Check that the power adapter is connected properly into the electrical outlet.
- Move the handset/speaker pod closer to the base. It may be out of range.
- Reset the base by unplugging the unit's electrical power. Reset the handset by unplugging and re-plugging its battery pack. Wait for around 15 seconds and re-plug the power again. Allow up to one minute for the handset/speaker pod to synchronize with the registered base again.

Noise interference on your radio or television

- Your base or charger may be too close. Move it as far away as possible.

5 GENERAL INFORMATION

If your product is not working properly...

1. Read this User's Guide.
2. Visit our website: www.motorola.com
3. Contact Customer Service in the US and Canada at 1-888-331-3383.

To order a replacement battery pack, contact customer service or visit our website.

Important safety instructions

Follow these safety precautions when using your phone to reduce the risk of fire, electric shock, and injury to persons or property:

Doc Title :	User's Guide	Revision :	1.0
Model :	Motorola S70×BT	Page(s) :	25 of 29

1. Keep all vents and openings of the phone unblocked. Do not set the phone on a heating register or over a radiator. Ensure that proper ventilation is provided at the installation site.
2. Do not use while wet or while standing in water.
3. Do not use this product near water (for example, near a bath tub, kitchen sink, or swimming pool).
4. Do not allow anything to rest on the power cord. Place the power cord so that it will not be walked on.
5. Never insert objects of any kind into the product vents as that may result in fire or electric shock.
6. Unplug this product from the electrical outlet before cleaning. Do not use liquid cleaners or aerosol cleaners. Use a damp cloth for cleaning.
7. Do not disassemble this product. If service or repair work is required, contact the customer service helpline found in this User's Guide.
8. Do not overload wall outlets and extension cords.
9. Avoid using during an electrical storm. Use a surge protector to protect the equipment.
10. Do not use this phone to report a gas leak, especially if you are in the vicinity of the gas line.

CAUTION

To reduce the risk of fire, use only No. 26 AWG or larger UL Listed or CSA Certified Telecommunication Line Cord.

Unplug this cordless phone immediately from an outlet if:

- The power cord or plug is damaged or frayed.
- Liquid has been spilled on the product.
- The product has been exposed to rain or water. Do not retrieve the handset or base until after you have unplugged the power and phone from the wall. Then retrieve the unit by the unplugged cords.
- The product has been dropped or the cabinet has been damaged.
- The product exhibits a distinct change in performance.

Installation Guidelines

1. Read all instructions and save them for future reference.
2. Follow all warnings and instructions marked on the product.
3. Do not install this product near a bath tub, sink, or shower.
4. Operate this phone using only the power source that is indicated on the marking label. If you are unsure of the power supply to your home, consult with your dealer or local power company.
5. Do not place this product on an unstable cart, stand, or table. This product may fall, causing serious damage to the product.
6. Adjust only those controls that are covered by the operating instructions. Improper adjustment of other controls may result in damage and will often require extensive work to restore the product to normal operation.
7. Clean this product with a soft, damp cloth. Do not use chemicals or cleaning agents to clean this phone.
8. Use only the power supply that came with this unit. Using other power supplies may damage the unit.
9. Because this phone operates on electricity, you should have at least one phone in your home that operates without electricity in case of a power outage.
10. To avoid interference to nearby appliances, do not place the base of the phone on or near a TV, microwave oven, or VCR.

CAUTION

To maintain compliance with the FCC's RF exposure guidelines, place the base unit at least 20 cm from nearby persons.

*For body worn operation, the speaker pod has been tested and meets the FCC RF exposure guidelines when used with the **BINATONE** accessories supplied or designated for this product. Use of other accessories may not ensure compliance with FCC RF exposure guidelines.*

Battery Safety Instructions

- Do not burn, disassemble, mutilate, or puncture the battery. The battery contains toxic materials that could be released, resulting in injury.

CAUTION

There is a risk of explosion if you replace the battery with an incorrect battery type. Use only the battery pack that came with your phone or an authorized replacement recommended by the manufacturer.

- Keep battery packs out of the reach of children.
- Remove battery packs if storing over 30 days.

Doc Title :	User's Guide	Revision :	1.0
Model :	Motorola S70×BT	Page(s) :	26 of 29

- Do not dispose of battery packs in fire, which could result in explosion.
- The rechargeable battery packs that power this product must be disposed of properly and may need to be recycled. Refer to your battery label for battery type. Contact your local recycling center for proper disposal methods.

SAVE THESE INSTRUCTIONS

Consumer Products and Accessories Limited Warranty ("Warranty")

Thank you for purchasing this Motorola branded product manufactured under license by Binatone Electronics International LTD ("BINATONE").

What Does this Warranty Cover?

Subject to the exclusions contained below, BINATONE warrants that this Motorola branded product ("Product") or certified accessory ("Accessory") sold for use with this product that it manufactured to be free from defects in materials and workmanship under normal consumer usage for the period outlined below. This Warranty is your exclusive warranty and is not transferable.

Who is covered?

This Warranty extends only to the first consumer purchaser, and is not transferable.

What will BINATONE do?

BINATONE or its authorized distributor at its option and within a commercially reasonable time, will at no charge repair or replace any Products or Accessories that does not conform to this Warranty. We may use functionally equivalent reconditioned/ refurbished/ pre-owned or new Products, Accessories or parts.

What Other Limitations Are There?

ANY IMPLIED WARRANTIES, INCLUDING WITHOUT LIMITATION THE IMPLIED WARRANTIES OF MERCHANTABILITY AND FITNESS FOR A PARTICULAR PURPOSE, SHALL BE LIMITED TO THE DURATION OF THIS LIMITED WARRANTY, OTHERWISE THE REPAIR OR REPLACEMENT PROVIDED UNDER THIS EXPRESS LIMITED WARRANTY IS THE EXCLUSIVE REMEDY OF THE CONSUMER, AND IS PROVIDED IN LIEU OF ALL OTHER WARRANTIES, EXPRESS OR IMPLIED. IN NO EVENT SHALL MOTOROLA OR BINATONE BE LIABLE, WHETHER IN CONTRACT OR TORT (INCLUDING NEGLIGENCE) FOR DAMAGES IN EXCESS OF THE PURCHASE PRICE OF THE PRODUCT OR ACCESSORY, OR FOR ANY INDIRECT, INCIDENTAL, SPECIAL OR CONSEQUENTIAL DAMAGES OF ANY KIND, OR LOSS OF REVENUE OR PROFITS, LOSS OF BUSINESS, LOSS OF INFORMATION OR OTHER FINANCIAL LOSS ARISING OUT OF OR IN CONNECTION WITH THE ABILITY OR INABILITY TO USE THE PRODUCTS OR ACCESSORIES TO THE FULL EXTENT THESE DAMAGES MAY BE DISCLAIMED BY LAW.

Some jurisdictions do not allow the limitation or exclusion of incidental or consequential damages, or limitation on the length of an implied warranty, so the above limitations or exclusions may not apply to you. This Warranty gives you specific legal rights, and you may also have other rights that vary from one jurisdiction to another.

Products Covered	Length of Coverage
Consumer Products	One (1) year from the date of the products original purchase by the first consumer purchaser of the product.
Consumer Accessories	Ninety (90) days from the date of the accessories original purchase by the first consumer purchaser of the product.
Consumer Products and Accessories that are Repaired or Replaced	The balance of the original warranty or for ninety (90) days from the date returned to the consumer, whichever is longer.

Exclusions

Normal Wear and Tear. Periodic maintenance, repair and replacement of parts due to normal wear and tear are excluded from coverage.

Doc Title :	User's Guide	Revision :	1.0
Model :	Motorola S70×BT	Page(s) :	27 of 29

Batteries. Only batteries whose fully charged capacity falls below 80% of their rated capacity and batteries that leak are covered by this Warranty.

Abuse & Misuse. Defects or damage that result from: (a) improper operation, storage, misuse or abuse, accident or neglect, such as physical damage (cracks, scratches, etc.) to the surface of the product resulting from misuse; (b) contact with liquid, water, rain, extreme humidity or heavy perspiration, sand, dirt or the like, extreme heat, or food; (c) use of the Products or Accessories for commercial purposes or subjecting the Product or Accessory to abnormal usage or conditions; or (d) other acts which are not the fault of MOTOROLA or BINATONE are excluded from coverage.

Use of Non-Motorola branded Products and Accessories. Defects or damage that result from the use of Non-Motorola branded or certified Products or Accessories or other peripheral equipment are excluded from coverage. Unauthorized Service or Modification. Defects or damages resulting from service, testing, adjustment, installation, maintenance, alteration, or modification in any way by someone other than MOTOROLA, BINATONE or its authorized service centers, are excluded from coverage.

Altered Products. Products or Accessories with (a) serial numbers or date tags that have been removed, altered or obliterated; (b) broken seals or that show evidence of tampering; (c) mismatched board serial numbers; or (d) nonconforming or non-Motorola branded housings, or parts, are excluded from coverage.

Communication Services. Defects, damages, or the failure of Products or Accessories due to any communication service or signal you may subscribe to or use with the Products or Accessories is excluded from coverage.

How to Obtain Warranty Service or Other Information?

To obtain service or information, please call:

US and Canada: 1-888-331-3383

You will receive instructions on how to ship the Products or Accessories at your expense and risk, to a BINATONE Authorized Repair Center.

To obtain service, you must include: (a) the Product or Accessory; (b) the original proof of purchase (receipt) which includes the date, place and seller of the Product; (c) if a warranty card was included in your box, a completed warranty card showing the serial number of the Product; (d) a written description of the problem; and, most importantly; (e) your address and telephone number.

These terms and conditions constitute the complete warranty agreement between you and BINATONE regarding the Products or Accessories purchased by you, and supersede any prior agreement or representations, including representations made in any literature publications or promotional materials issued by BINATONE or representations made by any agent employee or staff of BINATONE, that may have been made in connection with the said purchase.

FCC, ACTA and IC regulations

FCC Part 15

This equipment has been tested and found to comply with the requirements for a Class B digital device under Part 15 of the Federal Communications Commission (FCC) rules. These requirements are intended to provide reasonable protection against harmful interference in a residential installation.

This equipment generates, uses and can radiate radio frequency energy and, if not installed and used in accordance with the instructions, may cause harmful interference to radio communications. However, there is no guarantee that interference will not occur in a particular installation. If this equipment does cause harmful interference to radio or television reception, which can be determined by turning the equipment off and on, the user is encouraged to try to correct the interference by one or more of the following measures:

- Reorient or relocate the receiving antenna.
- Increase the separation between the equipment and receiver.
- Connect the equipment into an outlet on a circuit different from that to which the receiver is connected.
- Consult the dealer or an experienced radio/TV technician for help.

Changes or modifications to this equipment not expressly approved by the party responsible for compliance could void the user's authority to operate the equipment.

This device complies with Part 15 of the FCC rules. Operation is subject to the following two conditions: (1) this device may not cause harmful interference, and (2) this device must accept any interference received, including

Doc Title :	User's Guide	Revision :	1.0
Model :	Motorola S70×BT	Page(s) :	28 of 29

interference that may cause undesired operation. Privacy of communications may not be ensured when using this telephone.

To ensure safety of users, the FCC has established criteria for the amount of radio frequency energy that can be safely absorbed by a user or bystander according to the intended usage of the product. This product has been tested and found to comply with the FCC criteria. The handset may be safely held against the ear of the user. The telephone base shall be installed and used such that parts of the user's body other than the hands are maintained at a distance of approximately 20 cm (8 inches) or more.

This Class B digital apparatus complies with Canadian ICES-003.

FCC Part 68 and ACTA

This equipment complies with Part 68 of the FCC rules and with technical requirements adopted by the Administrative Council for Terminal Attachments (ACTA). The label on the back or bottom of this equipment contains, among other things, a product identifier in the format US: AAAEQ##TXXXX. This identifier must be provided to your local telephone company upon request.

The plug and jack used to connect this equipment to premises wiring and the telephone network must comply with applicable Part 68 rules and technical requirements adopted by ACTA. A compliant telephone cord and modular plug is provided with this product. It is designed to be connected to a compatible modular jack that is also compliant. An RJ11 jack should normally be used for connecting to a single line and an RJ14 jack for two lines. See Installation Instructions in the User's Guide.

The Ringer Equivalence Number (REN) is used to determine how many devices you may connect to your telephone line and still have them ring when you are called. The REN for this product is encoded as the 6th and 7th characters following the US: in the product identifier (e.g., if ## is 03, the REN is 0.3). In most, but not all areas, the sum of all RENs should be five (5.0) or less. For more information, please contact your local telephone company.

This equipment may not be used with Party Lines. If you have specially wired alarm dialing equipment connected to your telephone line, ensure the connection of this equipment does not disable your alarm equipment. If you have questions about what will disable alarm equipment, consult your telephone company or a qualified installer.

If this equipment is malfunctioning, it must be unplugged from the modular jack until the problem has been corrected. Repairs to this telephone equipment can only be made by the manufacturer or its authorized agents. For repair procedures, follow the instructions outlined under the Limited Warranty.

If this equipment is causing harm to the telephone network, the telephone company may temporarily discontinue your telephone service. The telephone company is required to notify you before interrupting service. If advance notice is not practical, you will be notified as soon as possible. You will be given the opportunity to correct the problem and the telephone company is required to inform you of your right to file a complaint with the FCC. Your telephone company may make changes in its facilities, equipment, operation, or procedures that could affect the proper functioning of this product. The telephone company is required to notify you if such changes are planned. If this product is equipped with a corded or cordless handset, it is hearing aid compatible.

If this product has memory dialing locations, you may choose to store emergency telephone numbers (e.g., police, fire, medical) in these locations. If you do store or test emergency numbers, please:

- Remain on the line and briefly explain the reason for the call before hanging up.
- Perform such activities in off-peak hours, such as early morning or late evening.

Industry Canada

Operation is subject to the following two conditions: (1) this device may not cause harmful interference, and (2) this device must accept any interference, including interference that may cause undesired operation.

The term "IC: " before the certification/registration number only signifies that the Industry Canada technical specifications were met.

The Ringer Equivalence Number (REN) for this terminal equipment is 0.0. The REN is an indication of the maximum number of devices allowed to be connected to a telephone interface. The termination on an interface may consist of any combination of devices subject only to the requirement that the sum of the RENs of all the devices does not exceed five.

This product meets the applicable Industry Canada technical specifications.

Doc Title :	User's Guide	Revision :	1.0
Model :	Motorola S70×BT	Page(s) :	29 of 29

Technical Specifications

RF frequency band	1921.536 MHz - 1928.448 MHz
Channels	5
Operating temperature	5°C - 45°C
Telephone base voltage (AC voltage, 60Hz)	96 - 130 Vms
Telephone base voltage (Adapter output)	6VDC, 400mA
Handset voltage	2.4V 500mAh Ni-MH battery pack
Charger voltage (Adapter output)	6VAC, 300mA
Speaker pod voltage (Adapter output)	6VDC, 300mA
Speaker pod voltage (Battery pack)	2.4V 600mAh Ni-MH



Manufactured, distributed or sold by Binatone Electronics International LTD., official licensee for this product. MOTOROLA and the Stylized M Logo are trademarks or registered trademarks of Motorola Trademark Holdings, LLC. and are used under license. The Bluetooth trademarks and all other trademarks are the property of their respective owners.

© 2012 Motorola Mobility, Inc. All rights reserved.



Version 1.0
Printed in China