

Doc Title :	User's Guide	Revision :	1.0
Model :	Motorola M80×C	Page(s) :	1 of 32



motorola

User's Guide

M802C / M803C / M804C / M805C

DECT 6.0 Digital Cordless/Corded Phones with Answering Machine

Warning

Use only the adapter and telephone line cord provided in the box.

Doc Title :	User's Guide	Revision :	1.0
Model :	Motorola M80×C	Page(s) :	2 of 32

Welcome to your new Motorola Phone!

Please retain your original dated sales receipt for your records. For warranty service of your Motorola product, you will need to provide a copy of your dated sales receipt to confirm warranty status. Registration is not required for warranty coverage.

For product-related questions, please call:

US and Canada: 1-888-331-3383
On the Web: www.motorola.com

- 200 name and number phonebook for cordless handset and corded base totally.
- Answering machine with up to 15 minutes digital recording time. *
- Caller ID shows you who is calling and includes details of the last 30 callers in a calls list for cordless handset, and 28 callers in a calls list for the corded base. **
- Register up to 5 cordless handsets to the corded base.
- Make internal calls, transfer external home calls, hold 3-way conversation between two internal callers and an external caller.

*The recording time includes the pre-recorded voice menu and outgoing announcements.

**You must subscribe to your network provider's Caller ID or Call Waiting service for these features to work.

Please note that only the corded phone operates during power outage (with limited functions).

Doc Title :	User's Guide	Revision :	1.0
Model :	Motorola M80×C	Page(s) :	3 of 32

This User's Guide provides you with all the information you need to get the most from your phone.

Before you make your first call you will need to set up your phone.

Follow the simple instructions in 'Getting Started', on the next few pages.

IMPORTANT

Use only the supplied telephone line cord.

Got everything?

- Cordless Handset
- Cordless Charger
- NiMH Rechargeable Battery Pack
- Power Adapter for the Cordless Charger
- Corded Base
- Corded Handset
- Power Adapter for the Corded Base
- Wall-mount Bracket
- Telephone Line Cords (one for connecting the corded base and handset)
- User's Guide
- Quick Start Guide

In multi-handset packs, you will find one or more additional cordless handsets, cordless chargers with power adapters, additional rechargeable battery packs and battery doors.

Doc Title :	User's Guide	Revision :	1.0
Model :	Motorola M80×C	Page(s) :	4 of 32

TABLE OF CONTENTS

1 GETTING STARTED 7

1.1 INSTALLING AND CHARGING THE CORDLESS HANDSET BATTERY PACK 7

1.2 INSTALLING THE CORDLESS CHARGER 8

1.3 CONNECTING THE CORDED BASE 8

1.4 WALL MOUNTING ON CORDED BASE 8

1.5 SETTING THE DISPLAY LANGUAGE 9

1.6 SETTING DATE AND TIME 9

2 GETTING TO KNOW YOUR PHONE 10

ENJOY YOUR CORDED BASE PHONE 14

3 USING YOUR PHONE 14

3.1 MAKING A CALL 14

3.2 SPEED DIAL CALLING 14

3.3 ANSWERING A CALL 14

3.4 ENDING A CALL 14

3.5 ADJUSTING VOLUME 15

3.6 DIALING FROM THE REDIAL LIST 15

3.7 DIALING FROM THE CALLS LIST 15

3.8 MUTING A CALL 15

3.9 ADDING AN ENTRY TO THE PHONEBOOK 15

3.10 STORING A PHONEBOOK ENTRY AS A ONE TOUCH NUMBER 15

3.11 DIALING FROM THE PHONEBOOK 15

3.12 CALLER ID 15

3.12.1 CALLS LIST 16

3.12.2 VIEWING THE CALLS LIST 16

3.12.3 SAVING A NUMBER FROM THE CALLS LIST TO THE PHONEBOOK 16

3.12.4 DELETING A CALLS LIST ENTRY 16

3.12.5 DELETING THE ENTIRE CALLS LIST 16

3.13 PERSONAL SETTINGS 17

3.14 INTERCOM 17

3.14.1 CALLING ANOTHER CORDLESS HANDSET OR ALL HANDSETS 17

3.14.2 TRANSFERRING AN EXTERNAL HOME CALL TO ANOTHER CORDLESS HANDSET 17

3.14.3 THREE-PARTY CONFERENCE CALL 17

3.15 SETTING THE DIAL MODE 18

3.16 SETTING THE FLASH TIME 18

3.17 SETTING THE AREA CODE 18

3.18 RESETTING ALL SETTINGS 18

3.19 USING YOUR ANSWERING MACHINE 18

3.19.1 PLAYING MESSAGES 18

3.19.2 TURNING ON OR OFF THE ANSWERING MACHINE 19

3.19.3 SETTING THE ANNOUNCEMENT MODE 19

3.19.4 SETTING THE RINGS TO ANSWER 19

Doc Title :	User's Guide	Revision :	1.0
Model :	Motorola M80×C	Page(s) :	5 of 32

3.19.5	ANNOUNCEMENT	19
3.19.5.1	Recording the announcement	19
3.19.5.2	Playing the announcement.....	19
3.19.6	RECORDING A MEMO	20
3.19.7	CALL SCREENING ON/OFF	20
3.19.8	DELETING ALL OLD MESSAGES.....	20
3.19.9	REMOTE ACCESS	20
3.19.10	SETTING THE SECURITY CODE	21

ENJOY YOUR CORDLESS HANDSET **21**

4 USING THE PHONE **21**

4.1	MAKING A CALL	21
4.2	SPEED DIAL CALLING	21
4.3	ANSWERING A CALL	21
4.4	ENDING A CALL.....	21
4.5	ADJUSTING VOLUME	21
4.6	MUTING A CALL.....	21
4.7	DIALING FROM THE REDIAL LIST	21
4.8	DIALING FROM THE CALLS LIST	21
4.9	ADDING AN ENTRY TO THE PHONEBOOK	21
4.10	STORING A PHONEBOOK ENTRY AS A ONE TOUCH NUMBER	21
4.11	DIALING FROM THE PHONEBOOK.....	22
4.12	CALLER ID.....	22
4.12.1	CALLS LIST	22
4.12.2	VIEWING THE CALLS LIST	22
4.12.3	SAVING A NUMBER FROM THE CALLS LIST TO THE PHONEBOOK	22
4.12.4	DELETING A CALLS LIST ENTRY	23
4.12.5	DELETING THE ENTIRE CALLS LIST	23
4.13	PERSONAL SETTINGS	23
4.14	INTERCOM.....	23
4.14.1	CALLING ANOTHER CORDLESS HANDSET OR CORDED BASE	23
4.14.2	TRANSFERRING AN EXTERNAL HOME CALL TO ANOTHER CORDLESS HANDSET OR CORDED BASE.....	23
4.14.3	THREE-PARTY CONFERENCE CALL	24
4.15	SETTING THE DIAL MODE.....	24
4.16	SETTING THE FLASH TIME	24
4.17	SETTING THE AREA CODE	24
4.18	REGISTRATION	24
4.18.1	REGISTERING A CORDLESS HANDSET	24
4.19	RESETTING ALL SETTINGS	25
4.20	USING YOUR ANSWERING MACHINE.....	25
4.20.1	PLAYING MESSAGES	25
4.20.2	TURNING ON OR OFF THE ANSWERING MACHINE.....	25
4.20.3	SETTING THE ANNOUNCEMENT MODE	25
4.20.4	SETTING THE RINGS TO ANSWER	25
4.20.5	ANNOUNCEMENT	25
4.20.5.1	Recording the announcement	26
4.20.5.2	Playing the announcement.....	26
4.20.6	RECORDING A MEMO	26
4.20.7	CALL SCREENING ON/OFF	26
4.20.8	DELETING ALL OLD MESSAGES.....	26
4.20.9	REMOTE ACCESS	26

Doc Title :	User's Guide	Revision :	1.0
Model :	Motorola M80×C	Page(s) :	6 of 32

4.20.10 SETTING THE SECURITY CODE 27

5 HELP **27**

6 GENERAL INFORMATION **28**

Doc Title :	User's Guide	Revision :	1.0
Model :	Motorola M80×C	Page(s) :	7 of 32

1 GETTING STARTED

WARNING

- Do not place your phone in the bathroom or other humid areas.

Location

When choosing a location for your new phone, here are some important guidelines you should consider:

- Avoid sources of noise and heat, such as motors, fluorescent lighting, microwave ovens, heating appliances and direct sunlight.
- Avoid areas of excessive dust, moisture, and low temperature.
- Avoid other cordless telephones or personal computers.
- Never install telephone wiring during a lightning storm.
- Never install telephone jacks in wet locations unless the jack is specifically designed for wet locations.
- Never touch non-insulated telephone wires or terminals unless the telephone line has been disconnected at the network interface.
- Use caution when installing or modifying telephone lines.

HANDSET RANGE

Optimal range is reached when there are no other electrical appliances working within the range area. Any obstruction between the corded base and cordless handset will also reduce the range significantly.

SIGNAL STRENGTH

*When out of range of the corded base, the screen shows **OUT OF RANGE**. If you are on a call, the line will hang up. Move back within range of the corded base. The cordless handset will automatically re-connect to the corded base.*

Setting up

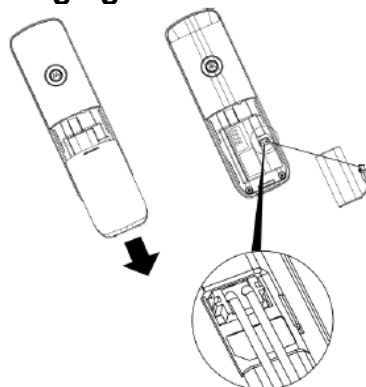
IMPORTANT

The corded base must be plugged into an electrical outlet at all times. Do not connect the telephone line cord into the telephone wall jack until the cordless handset is fully charged. Use only the adapter and telephone line cord supplied with the product.

WHICH POWER ADAPTER

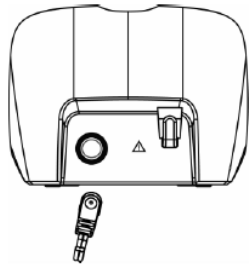
The power adapter with the red crystal DC plug is for the corded base unit and the power adapter with the small round DC plug is for the cordless charger unit.

1.1 Installing and charging the cordless handset battery pack



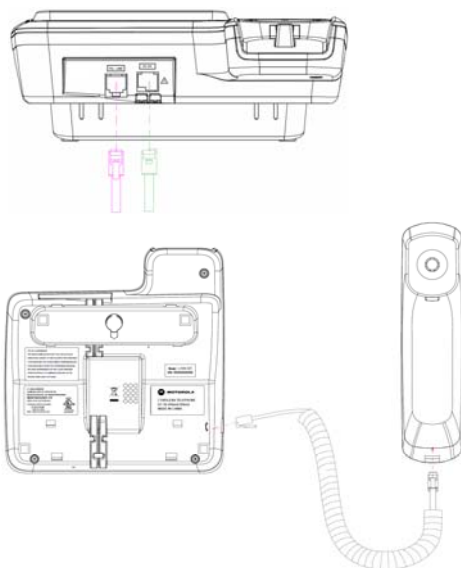
1. Slide off the battery compartment cover to remove it.
2. Place the supplied rechargeable battery pack in the battery compartment, and insert the plug of the battery pack into the socket, as shown above.
3. Slide the battery compartment cover back on.
4. Put the cordless handset on the cordless charger to charge for at least 24 hours. Once charging completed, the <Battery full icon> will indicate that the handset is fully charged.
5. Use only the rechargeable battery pack provided with the product.

1.2 Installing the cordless charger



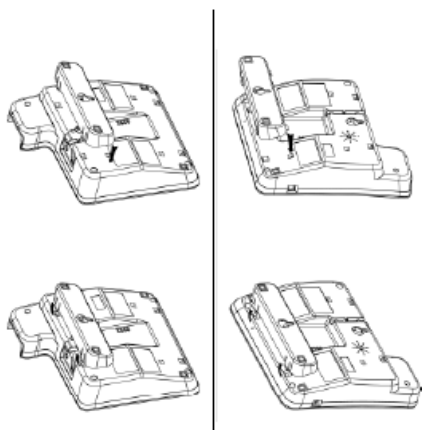
1. Insert the small round DC plug of the power adapter into the cordless charger.
2. Insert the other end of the power adapter into the wall jack.
3. Use only the supplied power adapter.

1.3 Connecting the corded base



1. Connect the corded handset to the corded base with the supplied coiled line cord.
2. Insert the crystal DC plug of the power adapter and the telephone line cord into the corded base, as shown above. The power adapter with the small round DC plug is for the cordless charger.(only in multi-handset packs)
3. Insert the other end of the power adapter into a power outlet and the telephone line cord into a telephone wall jack.
4. Always use the telephone line cord provided in the box.
5. Use only the supplied power adapter.

1.4 Wall mounting on corded base



This phone can be mounted on any standard wall plate.

Doc Title :	User's Guide	Revision :	1.0
Model :	Motorola M80×C	Page(s) :	9 of 32

1. Insert the crystal DC plug of the power adapter and telephone line cord into the corded base, as shown above.
2. Snap the wall-mount bracket into the notches on the corded base's back.
3. Insert the other end of the power adapter into a power outlet and the telephone line cord into a telephone wall jack.
4. Align the mounting slots on the corded base with the mounting posts on the wall. Then push in and down until the phone is firmly seated.

1.5 Setting the display language

On the corded base:

1. Press <MENU> and then <+/-> to select SETTINGS.
2. Press <MENU> and then <+/-> to select LANGUAGE.
3. Press <MENU> and then <+/-> to select the desired language.
4. Press <MENU> to save the setting.

On the cordless handset:

1. Press <MENU> and then <VOL+> or <REDIAL/VOL-> to select SETUP HS.
2. Press <MENU> and then <VOL+> or <REDIAL/VOL-> to select LANGUAGE.
3. Press <MENU> and then <VOL+> or <REDIAL/VOL-> to select the desired language.
4. Press <MENU> to save the setting.

1.6 Setting date and time

On the corded base:

1. Press <MENU> to select DATE & TIME.
2. Press <MENU> and then <+/-> to change the year setting.
3. Press <MENU> and then <+/-> to change the date setting. Repeat to set the time continuously.
4. Press <+/-> to toggle AM/PM settings
5. Press <MENU> to save the settings.

On the cordless handset:

1. Press <MENU> to select DATE & TIME.
2. Press <MENU> and then use the keypad to edit the year and the date.
3. Press <VOL+> or <REDIAL/VOL-> or <PHONEBOOK> or <RIGHT/CALLS LIST> to move between the input fields YEAR and DATE.
4. Press <MENU> and then use the keypad to edit the time in 12HR format.
5. Press <VOL+> or <REDIAL/VOL-> to toggle AM/PM settings. And use <PHONEBOOK> or <RIGHT/CALLS LIST> to move the cursor to the target input field.
6. Press <MENU> to save the settings.

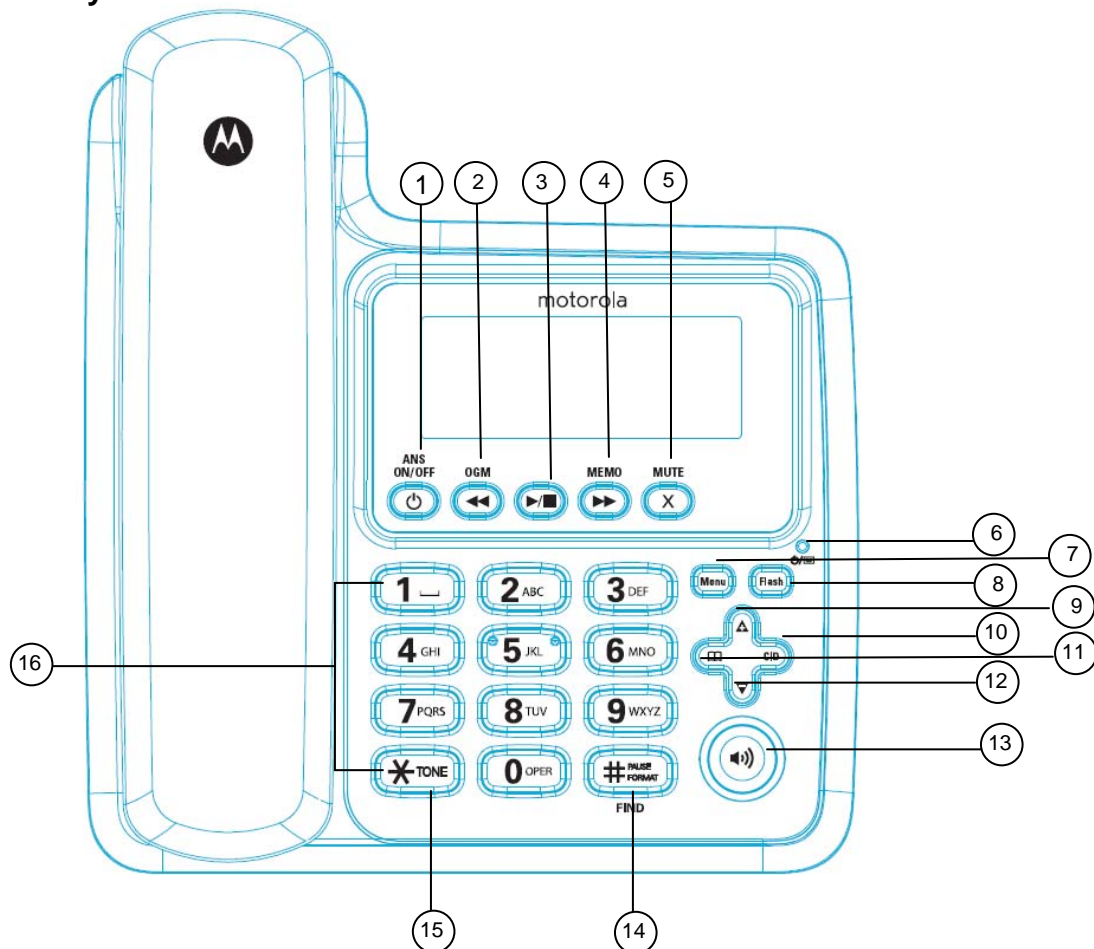
NOTE

If you have subscribed to your network provider's Caller ID service, date and time will be automatically set when a call is received.

Your phone is now ready for use.

2 GETTING TO KNOW YOUR PHONE

Overview of your corded base










1	ANS ON/OFF a) In idle mode: Press to turn on or off the answering machine.
2	SKIP BACKWARD/OGM a) In idle mode: Press to play the current announcement of the current announcement mode. b) In idle mode: Press and hold to start recording a user outgoing message of the current announcement mode c) In answering machine message playing mode: Press to repeat the message from the beginning. Press twice to play the previous message.
3	PLAY/STOP a) In idle mode: Press to play the message(s) in answering machine b) In answering machine message playing mode: Press to stop message playback
4	SKIP FORWARD/MEMO a) In idle mode: Press and hold to hear a voice prompt for recording a memo and then start to record a memo. b) In answering machine message playing mode: Press to skip to play the next message
5	MUTE/CLEAR/BACK/X a) In menu/calls list/phonebook/redial list mode: Press to exit to the previous menu level. Press and hold to go back to idle screen. b) In pre-dial/editing mode: Press to delete one digit/character. Press and hold to delete all characters/digits. c) During a call: Press to mute/resume the call. d) In answering machine message playing mode: Press to delete the current message playback e) In outgoing message playing mode: Press to delete the current outgoing message playback (if applicable).
6	TAM ON/OFF LED a) Steadily on when answering machine is activated. b) Flashes when new answering machine message is received (even though answering machine is off). c) Off when answering machine is deactivated.

7	MENU/SELECT a) In idle mode: Press to access menu list. b) In menu/editing mode: Press to confirm and save the settings. c) During a home call: Press to transfer the call to another cordless handset d) In pre-dial: Press to save the entry to the phonebook. e) Calls list/phonebook/redial list: Press to go to sub-menus of the selected list respectively. f) In answering machine message playing mode: Press to stop the current answering machine message playback. g) In outgoing message playing mode: Press to stop the current outgoing message playback.
8	FLASH a) During a call: Press to switch to another call
9	SCROLL UP/VOLUME UP a) In menu mode: Press to scroll up. b) During a call: Press to increase the volume. c) Calls list/phonebook/redial list: Press to scroll up the list. d) In answering machine message playing mode: Press to increase the volume of answering machine message playback. e) In outgoing message playing mode: Press to increase the volume of outgoing message playback.
10	RIGHT/CALLS LIST a) In idle mode/pre-dial/during a call: Press to access calls list. b) In editing mode: Press to move the cursor to the right.
11	PHONEBOOK a) In idle/pre-dial/during a call: Press to access the phonebook. b) In editing mode: Press to move the cursor to the left.
12	SCROLL DOWN/VOLUME DOWN/REDIAL LIST a) In menu mode: Press to scroll down. b) In idle/pre-dial mode: Press to access redial list. c) During a call: Press to decrease the volume. d) Calls list/phonebook/redial list: Press to scroll down the list. e) In answering machine message playing mode: Press to decrease the volume of answering machine message playback. f) In outgoing message playing mode: Press to decrease the volume of outgoing message playback.
13	HOME/SPEAKER a) In idle/pre-dial/ calls list/phonebook/redial list: Press to make a home call with speakerphone. b) During home line ringing: Press to answer the home call with speakerphone/earpiece. c) During a home call: Press to end the home call
14	#/PAUSE/FORMAT/FIND a) In idle mode: Press and hold to enter registration mode. b) In idle/pre-dial/number editing mode/during a call: Press to insert a #, press and hold to insert a pause (P). c) In calls list entry: Press to toggle the Caller ID display format among 7, 8, 10 and 11 digits when returning calls from Caller ID list.
15	*/TONE a) In pre-dial/ editing mode: Press to insert a ""*" b) During a call: Press to switch from pulse to tone dialing temporarily if pulse mode was selected before. After the call has been ended, the dial mode will change back to pulse automatically.
16	ALPHANUMERIC KEYPAD a) In idle/pre-dial/editing mode/during a call: Press to enter characters/numbers. b) In idle mode: Press and hold to activate speed dial (from <key 1> to <key 9>).

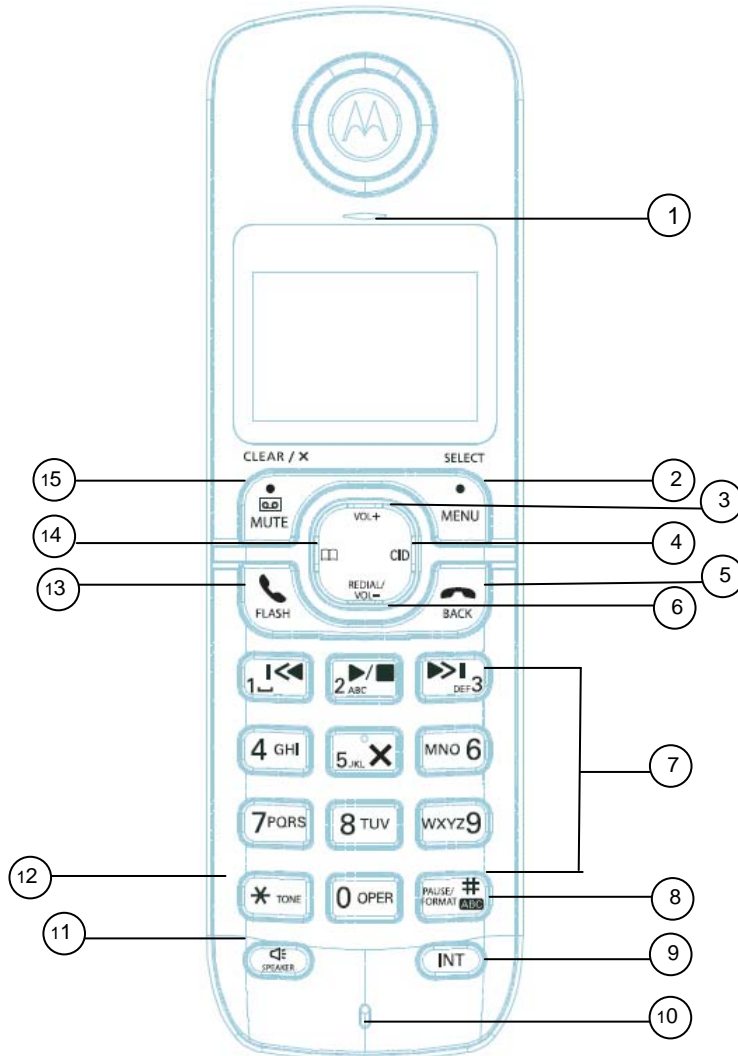
Corded base LCD display



Display icons

NEW	On when a new call has been received.
	On when the line is in use.
	On when you are in the phonebook menu.
RPT	On when there are repeat calls from the same number.
	On when the speakerphone is turned on.
#	Indicates together with the sequential number of the calls list or redial list entry.
	On when the ringer volume is turned off.
AM/PM	Indicates the time format. (Option: If default time format is 24 hour, AM/PM will not display).
	On when a new voice mail message is received, if a voice mail service is being used (For home line only).
	In idle mode, the current time is displayed. In Caller ID mode, the time of call is displayed.
	In idle mode the current date is displayed. In Caller ID mode, the date of the call is displayed.

Overview of your cordless handset



Doc Title :	User's Guide	Revision :	1.0
Model :	Motorola M80×C	Page(s) :	13 of 32

Get acquainted with the following 15 buttons on your handset and their multi-function tasks.

1	EARPIECE
2	MENU/ SELECT a) In idle mode: Press to access menu list. b) In menu/editing mode: Press to confirm and save the settings. c) During a home call: Press to transfer the call to another handset. d) In calls list entry: Press to save the entry to the phonebook. e) In phonebook entry: Press to go to sub-menus of phonebook.
3	SCROLL UP/VOLUME UP a) In menu mode: Press to scroll up. b) In editing mode: Press to move the cursor to the left. c) During a call: Press to increase the volume. d) Calls list/phonebook/redial list: Press to scroll up the list. e) In answering machine message playing mode: Press to increase the volume.
4	RIGHT/CALLS LIST a) In idle mode/during a call: Press to access calls list. b) In editing mode: Press to move the cursor to the right.
5	BACK/CANCEL a) In menu mode/calls list/phonebook: Press to exit to the previous menu level. b) In menu/pre-dial mode/calls list/phonebook: Press and hold to go back to idle screen.
6	SCROLL DOWN/VOLUME DOWN/REDIAL LIST a) In idle mode: Press to access redial list. b) In menu mode: Press to scroll down. c) In editing mode: Press to move the cursor to the right. d) During a call: Press to decrease the volume. e) Calls list/phonebook/redial list: Press to scroll down the list. f) In answering machine message playing mode: press to decrease the volume.
7	ALPHANUMERIC KEYPAD a) In idle/pre-dial/editing mode/during a call: Press to enter characters/numbers. b) In idle mode: Press and hold to activate speed dial (from <key 1> to <key 9>).
8	#/ PAUSE/ ABC/ FORMAT a) In idle/pre-dial/number editing mode/during a call: Press to insert a "#", press and hold to insert a pause (P). b) In name editing mode: Toggle ABC/abc format. Press and hold to insert a space. c) In calls list entry: Press to toggle the Caller ID display format among 7, 8, 10 and 11 digits when returning calls from Caller ID list. d) In phonebook entry: If the number is more than 15 digits, press to view the next page of remaining digits.
9	INT a) In pre-dial/number editing mode: Press to start an intercom conversation b) During a call: Press to start an intercom conversation
10	MICROPHONE
11	SPEAKER a) In idle/pre-dial mode: Press to make a home call with speakerphone. b) During a call: Press to toggle between the speakerphone and the earpiece. c) Calls list/phonebook/redial list: Press to make a home call to the selected entry with speakerphone. d) During ringing: Press to answer a call with speakerphone. e) In answering machine message playing mode: Press to toggle the message playback with earpiece/speakerphone
12	*/ TONE a) In idle/pre-dial/editing mode: Press to insert a "*" . b) During a call: Press to switch from pulse to tone dialing temporarily if pulse mode was selected before. After the call has been ended, the dial mode will change back to pulse automatically. c) In phonebook entry: If the number is more than 15 digits, press to view the previous page of remaining digits.
13	HOME a) In idle/pre-dial mode: Press to make a home call with earpiece. b) Calls list/phonebook/redial list: Press to make a home call to the selected entry with earpiece. c) During home line ringing: Press to answer the home call. d) During a home call: Press to end the home call.
14	PHONEBOOK a) In idle mode/during a call: Press to access the phonebook. b) In editing mode: Press to move the cursor to the left.
15	ANSWERING MACHINE/ MUTE/ CLEAR/ X a) In idle mode: Press to play message from the answering machine. b) In pre-dial/editing mode: Press to delete one character/digit. c) In pre-dial/editing mode: Press and hold to delete all characters/digits. d) During a call: Press to mute/resume the call. e) In answering machine message playing mode: Press to delete the current message playback.

Cordless handset LCD display



Display icons

	On when the speakerphone is turned on.
	On when the answering machine is turned on. Flashes when a new answering machine message is received.
NEW	On when a new call has been received.
	On when the ringer volume is turned off.
	On when a new voice mail message is received, if a voice mail service is being used (For home line only).
MUTE	On when a call is muted.
	Full battery power level.
	2/3 battery power level.
	1/3 battery power level.
	Flashes when low battery level is detected and the handset needs to be charged.
	Internal bars cycling indicates the battery is charging.
	In idle mode, the current time is displayed. In Caller ID mode, the time of call is displayed.
	On when the Home line is in use. Flashes when the Home line is put on hold.
	In idle mode the current date is displayed. In Caller ID mode, the date of the call is displayed.

ENJOY YOUR CORDED BASE PHONE

3 USING YOUR PHONE

3.1 Making a call

1. Enter the phone number and pick up the corded handset or press <HOME/SPEAKER> on corded base to dial the phone number.

3.2 Speed dial calling

1. In idle mode, press and hold a key from <1> to <9> until the number is displayed and dialed.

3.3 Answering a call

1. Pick up the corded handset or press <HOME/SPEAKER> on corded base to answer the incoming home call.

3.4 Ending a call

1. During a home call, press <HOME/SPEAKER> or put the corded handset on the corded base cradle.

Doc Title :	User's Guide	Revision :	1.0
Model :	Motorola M80×C	Page(s) :	15 of 32

3.5 Adjusting volume

1. During a call, press <+/-> to adjust the volume.

3.6 Dialing from the redial list

1. Press <-> and then <+/-> to scroll and select the entry you want to redial.
2. Pick up the corded handset or press <HOME/SPEAKER> to dial the number from the home line.

3.7 Dialing from the calls list

1. Press <RIGHT/CALLS LIST> and then <+/-> to scroll and select the entry you want to dial.
2. Press <#/PAUSE/FORMAT> to toggle the format of the dialing number.
3. Pick up the corded handset or press <HOME/SPEAKER> to dial the number from the home line.

3.8 Muting a call

1. During a call, press <MUTE> to mute the microphone and "**MUTED**" will be displayed on the screen. You can talk to someone else in the room without your caller hearing you.
2. Press <MUTE> again to resume the microphone.

3.9 Adding an entry to the phonebook

1. Press <MENU> and then <+/-> to scroll and select PHONEBOOK.
2. Press <MENU> and then <+/-> to scroll and select ADD.
3. Press <MENU> and then enter the name.
4. Press <MENU> and then enter the number.
5. Press <MENU> to save the entry.

NOTE

- Numbers can be up to 24 digits long and names up to 12 characters long. Entries are stored in alphabetical order.
- Up to 200 phonebook entries can be stored, including the entries created in the base and handset.

3.10 Storing a phonebook entry as a one touch number

1. Press <MENU> and then <+/-> to scroll and select PHONEBOOK.
2. Press <MENU> and then <+/-> to select SPEED DIAL.
3. Press <MENU> and then <+/-> to select the speed dial key from <KEY 1> to <KEY 9>.
4. Press <MENU> and then <+/-> to scroll to the entry you want.
5. Press <MENU> to save the setting.

3.11 Dialing from the phonebook

1. Press <PHONEBOOK> and then <+/-> to scroll and select the entry you want to dial. Or press <MENU> to access phonebook from menu options.
2. Pick up the corded handset or press <HOME/SPEAKER> to dial the number from the home line.

TIPS

Instead of scrolling to browse the phonebook entries, press the numeric key corresponding to the first letter of the entry you wish to locate. For example, pressing <KEY 2> will show the entries starting with A. Pressing <KEY 2> again will show the entries starting with B, etc.

3.12 Caller ID

If you have subscribed to Caller ID service, and provided the identity of the caller is not withheld, the number of the caller will be displayed together with the date and time of the call (if provided by the network).

NOTE

- If the telephone number is not available for incoming calls, the handset will display UNAVAILABLE.
- If the incoming call is from a withheld telephone number, the handset will display PRIVATE.
- Information about incoming calls will vary by country and network operator. Some operators may charge the subscription for their Caller ID service.

Doc Title :	User's Guide	Revision :	1.0
Model :	Motorola M80×C	Page(s) :	16 of 32

3.12.1 Calls List

The calls list contains details of missed and received calls. Details include the date and time of the call. Entries are displayed in chronological order with the most recent call at the top of the list.

NOTE

- When the calls list is full, a new call will replace the oldest one in the list.
- Details of up to 28 calls may be stored in the corded base.
- If you receive more than one call from the same number, only the most recent call is stored in the calls list.

When you have missed calls (incoming calls that you have not answered), the <NEW icon> will be displayed on the screen of the corded base and all cordless handsets registered to the base. If one handset is used to view the calls list, the <NEW icon> on the other cordless handset will remain on (for multi-pack use only).

3.12.2 Viewing the calls list

1. Press <RIGHT/CALLS LIST> to enter the calls list.
2. Press <+/-> to browse the calls list.

NOTE

- When reviewing an entry from the calls list, press <#/PAUSE/FORMAT/FIND> repeatedly to display the number in different formats.

For example, if a caller number is displayed as 888-331-3383, the various formats will be:

331-3383
1-331-3383
888-331-3383
1-888-331-3383

You may choose the desired number format for local or long distance numbers before dialing or saving it into the phonebook.

- The <NEW icon> is removed once the new call has been viewed.

3.12.3 Saving a number from the calls list to the phonebook

1. Press <RIGHT/CALLS LIST> to enter the calls list.
2. Press <+/-> to select the entry you want.
3. Press <MENU> to select SAVE TO PB.
4. Press <MENU> and then enter the name if desired.
5. Press <MENU> and then edit the number if desired.
6. Press <MENU> to save the entry.

3.12.4 Deleting a calls list entry

1. Press <RIGHT/CALLS LIST> to enter the calls list.
2. Press <+/-> to scroll to the entry you want.
3. Press <MENU> and then <+/-> to select DELETE.
4. Press <MENU> to confirm and the entry will be deleted.

3.12.5 Deleting the entire calls list

1. Press <RIGHT/CALLS LIST> to enter the calls list.
2. Press <MENU> and then <+/-> to select DELETE ALL.
3. Press <MENU> and then DELETE ALL? will be displayed.
4. Press <MENU> to confirm. All entries will be deleted.

NOTE

You need to review a call before you delete the record from the calls list.

3.13 Personal Settings

Menu Map

MAIN MENU	DATE & TIME	PHONEBOOK	INTERCOM	RING SETUP	SETTINGS	ANS. MACHINE	RESET
SUB MENU	YEAR DATE TIME	ADD VIEW EDIT DELETE DELETE ALL PB CAPACITY SPEED DIAL		MELODY VOLUME KEY TONE	DIAL MODE FLASH TIME AREA CODE LANGUAGE	ANSWERER ON (if answering machine is off) Or ANSWERER OFF (if answering machine is on) ANSWER MODE RINGS TO ANS ANNOUNCEMENT RECORD MEMO BS SCREENING DEL ALL OLD REMOTE ACC. REMOTE CODE	CLEAR VMAIL ALL SETTING S

1. Press <MENU>.
2. Press <+/-> to scroll through the menu.
3. Press <MENU> to open sub-menus and/or save settings.
Press <BACK> to go back to the previous menu level or cancel an action.

If you do not press any button on the corded base for 30 seconds, the display will automatically return to standby.

3.14 Intercom

This feature allows you to make internal calls, transfer external home calls between the corded base and cordless handset or other cordless handset extensions, and use the conference option.

3.14.1 Calling another cordless handset or all handsets

1. Press <MENU> and then <+/-> to select INTERCOM.
2. Press <MENU> and then <+/-> to select the cordless handset you want to call or select ALL HANDSETS.
3. Press <MENU> to call the cordless handset or all handsets.
4. Put the corded handset on the base cradle, or press<HOME/SPEAKER> if you are in handsfree mode to hang up.

NOTE

If the cordless handset is not within the valid operation range, this function may not be available. During an intercom call, you will hear an alert tone if there is an incoming external call. You need to hang up the intercom call before answering the incoming external call.

3.14.2 Transferring an external home call to another cordless handset

1. During an external home call, press <MENU>.Your call will be put on hold.
2. Press <+/-> to select the cordless handset you want to call.
3. Press <MENU> to call the cordless handset.
4. When the cordless handset answers by pressing<HOME> or <SPEAKER>, put the corded handset on the base cradle or press <HOME/SPEAKER> on the corded base to transfer the call. If the cordless handset does not answer, press <INT> to talk to your caller again.

3.14.3 Three-party conference call

1. During an external home call, press <MENU>. Your call will be put on hold.
2. Press <+/-> to select the cordless handset you want to call.
3. Press <MENU> to call the cordless handset.
4. When the cordless handset answers the intercom call, press <MENU> on the corded base to join the conference call.
5. Press <HOME/SPEAKER> on the corded base or put the corded handset on the base cradle to end a three-party conference call and leave the cordless handset engaged with the caller.

3.15 Setting the dial mode

The default dialing mode is suitable for your country and network operator. It is unlikely that you should need to change this setting unless advised to do so.

1. Press <MENU> and then <+/-> to select SETTINGS.
2. Press <MENU> and then <+/-> to select DIAL MODE.
3. Press <MENU> and <+/-> to select TONE or PULSE.
4. Press <MENU> to save the setting.

NOTE

If pulse mode is selected, press <*/TONE> to switch from pulse to tone dialing temporarily when dialing out. After the call is ended, the dial mode will change back to pulse automatically.

3.16 Setting the flash time

The default flash time is suitable for your country and network operator. It is unlikely that you should need to change this setting unless advised to do so.

1. Press <MENU> and then <+/-> to select SETTINGS.
2. Press <MENU> and then <+/-> to select FLASH TIME.
3. Press <MENU> and then <+/-> to the flash time you want. (8 options are available: 90MS, 100MS, 110MS, 250MS, 300MS, 400MS, 600MS, and 700MS)
4. Press <MENU> to save the setting.

3.17 Setting the area code

1. Press <MENU> and then <+/-> to select SETTINGS.
2. Press <MENU> and then <+/-> to select AREA CODE.
3. Press <MENU> and enter the area code.
4. Press <MENU> to save the setting.

3.18 Resetting all settings

1. Press <MENU> and then <+/-> to select RESET.
2. Press <MENU> and then <+/-> to select ALL SETTINGS.
3. Press <MENU> to select YES. All personalized settings will be reset to default.

NOTE






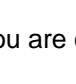
All of your phonebook entries, calls list and redial list will remain unchanged after resetting.

3.19 Using your answering machine

3.19.1 Playing messages

1. Press <PLAY/STOP> on the corded base from idle mode. New messages will be played followed by any older messages.

2. During message playback, press the keys below on the corded base to perform the following functions:

	Press to repeat the current message from the beginning. Press twice to play the previous message.
	Press to stop the current message playback.
MEMO 	Press to skip to play the next message.
MUTE 	Press to delete the current message and the next message will be played.
	Press to increase the volume.
	Press to decrease the volume.

NOTE

When you are on either a call, the answering system will not answer the second incoming call.

Doc Title :	User's Guide	Revision :	1.0
Model :	Motorola M80×C	Page(s) :	19 of 32

3.19.2 Turning on or off the answering machine

1. Press <MENU> and then <+/-> to select ANS. MACHINE.
2. Press <MENU> and <+/-> to select ANSWERER ON or ANSWERER OFF. If the answering machine is turned on originally, ANSWERER OFF will be displayed. If the answering machine is turned off originally, ANSWERER ON will be displayed.
3. Press <MENU> to confirm the setting.

OR

3. Press <ANS. ON/OFF> to toggle between answering machine on and answering machine off.

3.19.3 Setting the announcement mode

1. Press <MENU> and then <+/-> to select ANS. MACHINE.
2. Press <MENU> and then <+/-> to select ANSWER MODE.
3. Press <MENU> and then <+/-> to select the announcement modes:
 - ANNC & REC invites your callers to leave a message.
 - ANNC ONLY lets callers hear your announcement but they cannot leave a message.
4. Press <MENU> to save the setting.

3.19.4 Setting the rings to answer

1. Press <MENU> and then <+/-> to select ANS. MACHINE.
2. Press <MENU> and then <+/-> to select RINGS TO ANS.
3. Press <MENU> and then <+/-> to select the rings to answer. (4 options are available: TOLL SAVER, 3 RINGS, 4 RINGS, and 5 RINGS).
4. Press <MENU> to save the setting.

NOTE

If TOLL SAVER setting is selected, the answering machine will pick up after three rings if there are new messages, and after five rings if there is no message.

3.19.5 Announcement

This is the message your callers hear on the answering machine. There are two pre-recorded outgoing messages, or you can record your own message.

3.19.5.1 Recording the announcement

1. Press <MENU> and then <+/-> to select ANS. MACHINE.
2. Press <MENU> and then <+/-> to select ANNOUNCEMENT.
3. Press <MENU> to select RECORD.
4. Press <MENU> and then <+/-> to select the answer mode ANNC & REC or ANNC ONLY.
5. Press <MENU> to start recording after the beep.
6. Press <MENU> again to stop recording and save the message. The just saved message is played automatically.

NOTE

You can also record the announcement by pressing and holding <Skip Backward/OGM> to start recording after a beep sound is heard. Press <MENU> to stop recording and save the message.

NOTE

When playing the recorded message, press <MUTE/CLEAR/X/FIND> to delete it and the pre-recorded message will be set automatically.

3.19.5.2 Playing the announcement

1. Press <MENU> and then <+/-> to select ANS. MACHINE.
2. Press <MENU> and then <+/-> to select ANNOUNCEMENT.
3. Press <MENU> and then <+/-> to select PLAYBACK.
4. Press <MENU> and then <+/-> to select the answer mode ANNC & REC or ANNC ONLY.
5. Press <MENU> and the message will be played.

3.19.6 Recording a memo

You can record a memo which is stored in your answering machine and played back like a normal message.

1. Press <MENU> and then <+/-> to select ANS. MACHINE.
2. Press <MENU> and then <+/-> to select RECORD MEMO.
3. Press <MENU> to start recording.
4. Press <MENU> again to stop recording and save the message. The just saved message is played automatically.

NOTE

You can also record a memo by pressing and holding <Skip Forward/MEMO> to start recording after a beep sound is heard. Press <MENU> to stop recording and save the message.

NOTE

When playing the message, press <MUTE/CLEAR/X/FIND> to delete it.

3.19.7 Call screening on/off

Call screening allows you to hear the message being recorded, and if you want, you may interrupt the message recording and take the call.

If call screening is set to be ON, you can listen to the caller leaving the message through the base speaker when the answering machine is recording, the corded base displays SCREENING and the <speaker icon> lights on. You can lift up the corded handset to talk to the caller through earpiece.

If call screening is set to be OFF, the answering machine is just recording the message. When the answering machine is recording, the corded base displays RECORDING.

You can turn on/off base screening as follows:

1. Press <MENU> and then <+/-> to select ANS. MACHINE.
2. Press <MENU> and then <+/-> to select BS SCREENING.
3. Press <MENU> and then <+/-> to turn on/off call screening.
4. Press <MENU> to save the setting.

3.19.8 Deleting all old messages

1. Press <MENU> and then <+/-> to select ANS. MACHINE.
2. Press <MENU> and then <+/-> to select DEL ALL OLD.
3. Press <MENU> to confirm and display will show DELETE ALL?
4. Press <MENU> to confirm the setting.

3.19.9 Remote access

Remote access allows you to operate your answering machine and listen to your messages by calling from external line.

To turn the remote access on/off

1. Press <MENU> and then <+/-> to select ANS. MACHINE.
2. Press <MENU> and then <+/-> to select REMOTE ACC.
3. Press <MENU> and then <+/-> to select ON or OFF.
4. Press <MENU> to confirm the setting.

To remotely access your answering system from external line, you need to key in 4-digit security code at the external terminal (default code is 0000).

After entering the remote access mode, press the following keys to carry out your desired function.

Press...	To...
1	Press once to repeat the current message from the beginning. Press twice to play the previous message.
2	Play/Stop the current message playback.
3	Skip forward to the next message
4	Toggle Answer Off/Announce Only/Announce and Record modes
5	Delete the message
7	Listen to the Main Menu (for Full Voice prompts only)

Doc Title :	User's Guide	Revision :	1.0
Model :	Motorola M80×C	Page(s) :	21 of 32

3.19.10 Setting the security code

This is used to change the remote access PIN if necessary.

1. Press <MENU> and then <+/-> to select ANS. MACHINE.
2. Press <MENU> and then <+/-> to select REMOTE CODE.
3. Press <MENU> and then enter the 4-digit remote code.
4. Press <MENU> to save the setting.

ENJOY YOUR CORDLESS HANDSET

4 USING THE PHONE

4.1 Making a call

1. Enter the phone number and then press <HOME> or <SPEAKER> to dial the phone number.

4.2 Speed dial calling

1. In idle mode, press and hold a key from <1> to <9> until the number is displayed and dialed.

4.3 Answering a call

1. Press <HOME> or <SPEAKER> to answer the incoming home call.

4.4 Ending a call

1. During a home call, press <HOME> or put the cordless handset on the charger.

4.5 Adjusting volume

1. During a call, press <VOL+> or <REDIAL/VOL-> to adjust the volume.

4.6 Muting a call

1. During a call, press <MUTE> to mute the microphone and "**MUTED**" will be displayed on the screen. You can talk to someone else in the room without your caller hearing you.
2. Press <MUTE> again to resume the microphone.

4.7 Dialing from the redial list

1. Press <REDIAL/VOL-> and then <VOL+> or <REDIAL/VOL-> to scroll and select the entry you want to redial.
2. Press <HOME> or <SPEAKER> to dial the number from the home line.

4.8 Dialing from the calls list

1. Press <RIGHT/CALLS LIST> and then <VOL+> or <REDIAL/VOL-> to scroll and select the entry you want to dial.
2. Press <#/ABC/PAUSE/FORMAT> to toggle the format of the dialing number.
3. Press <HOME> or <SPEAKER> to dial the number from the home line.

4.9 Adding an entry to the phonebook

1. Press <PHONEBOOK>.
2. Press <MENU> and then <VOL+> or <REDIAL/VOL-> to scroll and select ADD.
3. Press <MENU> and then enter the name.
4. Press <MENU> and then enter the number.
5. Press <MENU> to save the entry.

NOTE

- Numbers can be up to 24 digits long and names up to 16 characters long. Entries are stored in alphabetical order.

4.10 Storing a phonebook entry as a one touch number

1. Press <PHONEBOOK>.
2. Press <MENU> and then <VOL+> or <REDIAL/VOL-> to select SPEED DIAL.
3. Press <MENU> and then <VOL+> or <REDIAL/VOL-> to select the speed dial key from <KEY 1> to <KEY 9>.
4. Press <MENU> and then <VOL+> or <REDIAL/VOL-> to scroll to the entry you want.
5. Press <MENU> to save the setting.

Doc Title :	User's Guide	Revision :	1.0
Model :	Motorola M80×C	Page(s) :	22 of 32

4.11 Dialing from the phonebook

1. Press <PHONEBOOK> and then <VOL+> or <REDIAL/VOL-> to scroll and select the entry you want to dial.
Or press <MENU> to access phonebook from menu options.
2. Press <HOME> or <SPEAKER> to dial the number from the home line.

TIPS

Instead of scrolling to browse the phonebook entries, press the numeric key corresponding to the first letter of the entry you wish to locate. For example, pressing <KEY 2> will show the entries starting with A. Pressing <KEY 2> again will show the entries starting with B, etc.

4.12 Caller ID

If you have subscribed to Caller ID service, and provided the identity of the caller is not withheld, the number of the caller will be displayed together with the date and time of the call (if provided by the network).

NOTE

- If the telephone number is not available for incoming calls, the handset will display UNAVAILABLE.
- If the incoming call is from a withheld telephone number, the handset will display PRIVATE.
- Information about incoming calls will vary by country and network operator. Some operators may charge the subscription for their Caller ID service.

4.12.1 Calls List

The calls list contains details of missed and received calls. Details include the date and time of the call. Entries are displayed in chronological order with the most recent call at the top of the list.

NOTE

- When the calls list is full, a new call will replace the oldest one in the list.
- Details of up to 30 calls may be stored in the cordless handset.
- If you receive more than one call from the same number, only the most recent call is stored in the calls list.
When you have missed calls (incoming calls that you have not answered), the <NEW icon> will be displayed on the screen of the corded base and all cordless handsets registered to the base. If one cordless handset is used to view the calls list, the <NEW icon> on the other cordless handsets will still remain on (For multi-pack use only).

4.12.2 Viewing the calls list

1. Press <RIGHT/CALLS LIST> to enter the calls list.
2. Press <VOL+> or <REDIAL/VOL-> to browse the calls list.

NOTE

- When reviewing an entry from the calls list, press <#/ ABC/PAUSE/FORMAT> repeatedly to display the number in different formats.

For example, if a caller number is displayed as 888-331-3383, the various formats will be:

331-3383

1-331-3383

888-331-3383

1-888-331-3383

You may choose the desired number format for local or long distance numbers before dialing or saving it into the phonebook.

- The <NEW icon> is removed once the new call has been viewed.

4.12.3 Saving a number from the calls list to the phonebook

1. Press <RIGHT/CALLS LIST> to enter the calls list.
2. Press <VOL+> or <REDIAL/VOL-> to select the entry you want.
3. Press <MENU> to select SAVE TO PB.
4. Press <MENU> and then enter the name if desired.
5. Press <MENU> and then edit the number if desired.
6. Press <MENU> to save the entry.

4.12.4 Deleting a calls list entry

1. Press <RIGHT/CALLS LIST> to enter the calls list.
2. Press <VOL+> or <REDIAL/VOL-> to scroll to the entry you want.
3. Press <MENU> and then <VOL+> or <REDIAL/VOL-> to select DELETE.
4. Press <MENU> to confirm and the entry will be deleted.

4.12.5 Deleting the entire calls list

1. Press <RIGHT/CALLS LIST> to enter the calls list.
2. Press <MENU> and then <VOL+> or <REDIAL/VOL-> to select DELETE ALL.
3. Press <MENU> and DELETE ALL CALL LOG ENTRIES? will be displayed.
4. Press <MENU> to confirm. All entries will be deleted.

NOTE

You need to review a call before you delete the record from the calls list.

4.13 Personal Settings

Menu Map

MAIN MENU	DATE & TIME	PHONEBOOK	INTERCOM	SETUP HS	SETUP BS	ANSWER MACHINE	RESET SETTINGS
SUB MENU	YEAR DATE TIME	VIEW ADD EDIT DELETE DELETE ALL PB CAPACITY SPEED DIAL		RINGER TONE RINGER VOLUME KEY TONE LOW BATT TONE OUT RANGE TONE HANDSET NAME LANGUAGE LCD CONTRAST REGISTRATION	DIAL MODE FLASH TIME AREA CODE	ANSWERER ON (if answering machine is off) Or ANSWERER OFF (if answering machine is on) ANSWERER MODE RINGS TO ANSWER ANNOUNCEMENT RECORD MEMO CALL SCREENING DEL ALL OLD MSG REMOTE ACCESS SECURITY CODE	CLR VOICE MAIL ALL SETTINGS

1. Press <MENU>.
2. Press <VOL+> or <REDIAL/VOL-> to scroll through the menu.
3. Press <MENU> to open sub-menus and/or save settings.
4. Press <BACK> to go back to previous menu level or cancel an action.

If you do not press any button on the cordless handset for 30 seconds, the display will automatically return to standby. It will also return to standby when the handset is placed on the charger.

4.14 Intercom

This feature allows you to make internal calls, transfer external home calls between the cordless handset and the corded base or other cordless handset extensions, and use the conference option.

4.14.1 Calling another cordless handset or corded base

1. Press <MENU> and then <VOL+> or <REDIAL/VOL-> to select INTERCOM.
2. Press <MENU> and then <VOL+> or <REDIAL/VOL-> to select the cordless handset or corded base you want to call.
3. Press <MENU> to make the call.
4. Press <HOME> to hang up.

NOTE

If the cordless handset is not within the valid operation range, this function may not be available.

During an intercom call, you will hear an alert tone if there is an incoming external call. You need to press <HOME> to hang up the intercom call before answering the incoming external call.

4.14.2 Transferring an external home call to another cordless handset or corded base

1. During an external home call, press <MENU>.-Your call will be put on hold.
2. Press <VOL+> or <REDIAL/VOL-> to select the cordless handset or corded base you want to call.
3. Press <MENU> to make the call.
4. When the other cordless handset answers by pressing <HOME> or <SPEAKER>, or the corded base answers by pressing <HOME/SPEAKER>, press <HOME> on the calling cordless handset to transfer the call. If the other cordless handset or corded base does not answer, press <INT> on the calling cordless handset to talk to your caller again.

Doc Title :	User's Guide	Revision :	1.0
Model :	Motorola M80×C	Page(s) :	24 of 32

4.14.3 Three-party conference call

1. During an external home call, press <MENU>. -Your call will be put on hold.
2. Press <VOL+> or <REDIAL/VOL-> to select the cordless handset or corded base you want to call.
3. Press <MENU> to make the call.
4. When the other cordless handset or the corded base answers the intercom call, press <MENU> on the calling cordless handset to set up the conference call.
5. Press <HOME> on any cordless handset to end a three-party conference call and leave the other cordless handset or corded base engaged with the caller.

NOTE

During an external call, pressing <HOME> or <SPEAKER> on any cordless handset will join in the call and set up a conference call.

4.15 Setting the dial mode

The default dialing mode is suitable for your country and network operator. It is unlikely that you should need to change this setting unless advised to do so.

1. Press <MENU> and then <VOL+> or <REDIAL/VOL-> to select SETUP BS.
2. Press <MENU> to select DIAL MODE.
3. Press <MENU> and then <VOL+> or <REDIAL/VOL-> to select TONE or PULSE.
4. Press <MENU> to save the setting.

NOTE

If pulse mode is selected, press <*/TONE> to switch from pulse to tone dialing temporarily when dialing out. After the call is ended, the dial mode will change back to pulse automatically.

4.16 Setting the flash time

The default flash time is suitable for your country and network operator. It is unlikely that you should need to change this setting unless advised to do so.

1. Press <MENU> and then <VOL+> or <REDIAL/VOL-> to select SETUP BS.
2. Press <MENU> and then <VOL+> or <REDIAL/VOL-> to select FLASH TIME.
3. Press <MENU> and then <VOL+> or <REDIAL/VOL-> to the flash time you want. (8 options are available: 90, 100, 110, 250, 300, 400, 600 and 700MS)
4. Press <MENU> to save the setting.

4.17 Setting the area code

1. Press <MENU> and then <VOL+> or <REDIAL/VOL-> to select SETUP BS.
2. Press <MENU> and then <VOL+> or <REDIAL/VOL-> to select AREA CODE.
3. Press <MENU> and enter the area code.
4. Press <MENU> to save the setting.

4.18 Registration

4.18.1 Registering a cordless handset

Up to 5 cordless handsets can be registered to a corded base. The original cordless handset is pre-registered to use. Additional cordless handsets must be registered to the corded base before you can use them.

To register an additional cordless handset,

1. Press <MENU> and then <VOL+> or <REDIAL/VOL-> to select SETUP HS.
2. Press <MENU> and then <VOL+> or <REDIAL/VOL-> to select REGISTRATION.
3. Press <MENU> and then <VOL+> or <REDIAL/VOL-> to select YES or NO.
4. Select YES and then press <Menu> to enter the registration procedure as follows:
 - 1) Press and hold <#/PAUSE/FORMAT/FIND> for around 4 seconds on the corded base.
 - 2) Place the unregistered cordless handset on the charger.
 - 3) A confirmation tone is generated if registration is successful. Handset X is displayed where X denotes the number of handsets, and then the phone returns to idle.

To register an originally unregistered cordless handset, follow steps 1) through 3) above.

4.19 Resetting all settings

1. Press <MENU> and then <VOL+> or <REDIAL/VOL-> to select RESET SETTINGS.
2. Press <MENU> and then <VOL+> or <REDIAL/VOL-> to select ALL SETTINGS.
3. Press <MENU> to select YES. All personalized settings will be reset to default.

NOTE

All of your phonebook entries, calls list and redial list will remain unchanged after resetting.

4.20 Using your answering machine

4.20.1 Playing messages

1. Press <ANSWERING MACHINE/MUTE/CLEAR/BACK/X> on the cordless handset from idle mode. New messages will be played followed by any older messages.
2. During message playback, press the keys below on the cordless handset to perform the following functions:

⏮/1	Press to repeat the current message from the beginning. Press twice to play the previous message.
▶/ABC/2	Press to stop the current message playback.
▶▶/DEF/3	Press to skip to play the next message.
<KEY 5> or <MUTE/ CLEAR/ BACK/X>	Press to delete the current message and the next message will be played.
VOL+	Press to increase the volume.
REDIAL/VOL-	Press to decrease the volume.
📞/SPEAKER	Press to toggle the message playback with earpiece/speakerphone.

NOTE

When you are on either a call, the answering system will not answer the second incoming call.

4.20.2 Turning on or off the answering machine

1. Press <MENU> and then <VOL+> or <REDIAL/VOL-> to select ANSWER MACHINE.
2. Press <MENU> and <VOL+> or <REDIAL/VOL-> to select ANSWERER ON or ANSWERER OFF. If the answering machine is turned on originally, ANSWERER OFF will be displayed. If the answering machine is turned off originally, ANSWERER ON will be displayed.
3. Press <MENU> to confirm the setting.

4.20.3 Setting the announcement mode

1. Press <MENU> and then <VOL+> or <REDIAL/VOL-> to select ANSWER MACHINE.
2. Press <MENU> and then <VOL+> or <REDIAL/VOL-> to select ANSWERER MODE.
3. Press <MENU> and then <VOL+> or <REDIAL/VOL-> to select the announcement modes:
 - ANNC & RECORD invites your callers to leave a message.
 - ANNOUNCE ONLY lets callers hear your announcement but they cannot leave a message.
4. Press <MENU> to save the setting.

4.20.4 Setting the rings to answer

1. Press <MENU> and then <VOL+> or <REDIAL/VOL-> to select ANSWER MACHINE.
2. Press <MENU> and then <VOL+> or <REDIAL/VOL-> to select RINGS TO ANSWER.
3. Press <MENU> and then <VOL+> or <REDIAL/VOL-> to select the rings to answer. (4 options are available: TOLL SAVER, 3, 4, or 5 RINGS).
4. Press <MENU> to save the setting.

NOTE

If Toll Saver setting is selected, the answering machine will pick up after two rings if there are new messages, and after four rings if there is no message.

4.20.5 Announcement

This is the message your callers hear on the answering machine. There are two pre-recorded outgoing messages, or you can record your own message.

Doc Title :	User's Guide	Revision :	1.0
Model :	Motorola M80×C	Page(s) :	26 of 32

4.20.5.1 Recording the announcement

1. Press <MENU> and then <VOL+> or <REDIAL/VOL-> to select ANSWER MACHINE.
2. Press <MENU> and then <VOL+> or <REDIAL/VOL-> to select ANNOUNCEMENT.
3. Press <MENU> to select RECORD.
4. Press <MENU> and then <VOL+> or <REDIAL/VOL-> to select the answer mode ANNC & RECORD or ANNOUNCE ONLY.
5. Press <MENU> to start recording after the beep.
6. Press <MENU> again to stop recording and save the message. The just saved message is played automatically.

NOTE

When playing the recorded message, press <MUTE/CLEAR/BACK/X> to delete it and the pre-recorded message will be set automatically.

4.20.5.2 Playing the announcement

1. Press <MENU> and then <VOL+> or <REDIAL/VOL-> to select ANSWER MACHINE.
2. Press <MENU> and then <VOL+> or <REDIAL/VOL-> to select ANNOUNCEMENT.
3. Press <MENU> and then <VOL+> or <REDIAL/VOL-> to select PLAY.
4. Press <MENU> and then <VOL+> or <REDIAL/VOL-> to select the answer mode ANNC & RECORD or ANNOUNCE ONLY.
5. Press <MENU> and the message will be played.

4.20.6 Recording a memo

You can record a memo which is stored in your answering machine and played back like a normal message.

1. Press <MENU> and then <VOL+> or <REDIAL/VOL-> to select ANSWER MACHINE.
2. Press <MENU> and then <VOL+> or <REDIAL/VOL-> to select RECORD MEMO.
3. Press <MENU> to start recording.
4. Press <MENU> again to stop recording and save the message. The just saved message is played automatically.

NOTE

When playing the message, press <MUTE/CLEAR/BACK/X> to delete it.

4.20.7 Call screening on/off

Call screening allows you to hear the message being recorded, and if you want, you may interrupt the message recording and take the call.

1. When the answering machine is recording, the cordless handset displays SCREENING?.
2. Press <MENU> to listen to the caller through the handset earpiece, the handset displays CALL SCREENING.
3. Press <SPEAKER> to listen with the handset loudspeaker.
4. Press <MUTE/CLEAR/BACK/X> to stop screening and leave the answering machine to record the message.
5. Press <HOME> to talk to the caller and stop recording.

4.20.8 Deleting all old messages

1. Press <MENU> and then <VOL+> or <REDIAL/VOL-> to select ANSWER MACHINE.
2. Press <MENU> and then <VOL+> or <REDIAL/VOL-> to select DEL ALL OLD MSG.
3. Press <MENU>. DELETE ALL OLD MESSAGES? will be displayed.
4. Press <MENU> to confirm the setting.

NOTE

When the answering machine is full, <TAM Icon> will flash if there are new messages. ERASE SOME ANSWERER MSG will toggle within 2 seconds with MEMORY FULL. At this point, delete some messages to free up the memory.

4.20.9 Remote access

Remote access allows you to operate your answering machine and listen to your messages by calling from external line.

To turn the remote access on/off

1. Press <MENU> and then <VOL+> or <REDIAL/VOL-> to select ANSWER MACHINE.
2. Press <MENU> and then <VOL+> or <REDIAL/VOL-> to select REMOTE ACCESS.
3. Press <MENU> and then <VOL+> or <REDIAL/VOL-> to select ON or OFF.
4. Press <MENU> to confirm the setting.

Doc Title :	User's Guide	Revision :	1.0
Model :	Motorola M80×C	Page(s) :	27 of 32

To remotely access your answering system from external line, you need to key in 4-digit security code at the external terminal (default code is 0000).

After entering the remote access mode, press the following keys to carry out your desired function.

Press...	To...
1	Press once to repeat the current message from the beginning. Press twice to play the previous message.
2	Play/Stop the current message playback.
3	Skip forward to the next message
4	Toggle Answer Off/Announce Only/Announce and Record modes
5	Delete the message
7	Listen to the Main Menu (for Full Voice prompts only)

4.20.10 Setting the security code

This is used to change the remote access PIN if necessary.

1. Press <MENU> and then <VOL+> or <REDIAL/VOL-> to select ANSWER MACHINE.
2. Press <MENU> and then <VOL+> or <REDIAL/VOL-> to select SECURITY CODE.
3. Press <MENU> and then enter the 4-digit security code.
4. Press <MENU> to save the setting.

5 HELP

The <Battery> icon is not scrolling when the cordless handset is placed on the charger

- Handset not properly seated on the charger –readjust the handset on the charger.
- Dirty contact – clean the charge contacts by wiping with an alcohol moistened cloth.
- Battery is full –charging is not necessary at this time.

No dial tone

- If there is no base power, check the connections. Reset the phone by unplugging then plugging it back into an electrical outlet.
- If the cordless handset batteries are empty, recharge the battery pack for at least 24 hours.
- Move the cordless handset closer to the corded base.
- Be sure to use only the provided telephone cords.

Poor audio quality

- If the corded base is too close to electrical appliances, reinforced concrete walls, or metal door frames, move the corded base from these areas.

No ring tone

- The ringer may be off.
- The volume may need to be increased.

Caller ID does not work

- Check your subscription with your network operator.
- If you subscribe to high-speed internet service (Digital Subscriber Line – DSL) through your telephone lines, you must install a DSL filter between the telephone base and the telephone wall jack. The filter will prevent noise and caller ID problems caused by DSL interference. Please contact your DSL service provider for more information about DSL filters.

A phonebook entry cannot be stored

- The phonebook is full. Delete an entry to free memory.

Doc Title :	User's Guide	Revision :	1.0
Model :	Motorola M80×C	Page(s) :	28 of 32

No display

- Try recharging or replacing the rechargeable battery pack.
- Reset the corded base. Unplug the unit's electrical, then plug it back in.
- If the LED is not lit up, then try to unplug the unit's electrical power, and then plug it back in.

If the cordless handset disconnects from the corded base during a phone call

- Check that the power cord is connected properly into the corded base.
- Check that the power adapter is connected properly into the electrical outlet.
- Move the cordless handset closer to the corded base. It may be out of range.
- Reset the corded base by unplugging the unit's electrical power.
- Reset the cordless handset by unplugging and re-plugging its battery pack. Wait for around 15 seconds and re-plug the power again. Allow up to one minute for the cordless handset to synchronize with the registered corded base again.

Noise interference on your radio or television

- Your corded base or cordless charger may be too close. Move it as far away as possible.

6 GENERAL INFORMATION

If your product is not working properly...

1. Read this User's Guide.
2. Visit our website: www.motorola.com
3. Contact Customer Service in the US and Canada at 1-888-331-3383.

To order a replacement battery pack, contact customer service or visit our website.

Important safety instructions

Follow these safety precautions when using your phone to reduce the risk of fire, electric shock, and injury to persons or property:

1. Keep all vents and openings of the phone unblocked. Do not set the phone on a heating register or over a radiator. Ensure that proper ventilation is provided at the installation site.
2. Do not use while wet or while standing in water.
3. Do not use this product near water (for example, near a bath tub, kitchen sink, or swimming pool).
4. Do not allow anything to rest on the power cord. Place the power cord so that it will not be walked on.
5. Never insert objects of any kind into the product vents as that may result in fire or electric shock.
6. Unplug this product from the electrical outlet before cleaning. Do not use liquid cleaners or aerosol cleaners. Use a damp cloth for cleaning.
7. Do not disassemble this product. If service or repair work is required, contact the customer service helpline found in this User's Guide.
8. Do not overload wall outlets and extension cords.
9. Avoid using during an electrical storm. Use a surge protector to protect the equipment.
10. Do not use this phone to report a gas leak, especially if you are in the vicinity of the gas line.

CAUTION

To reduce the risk of fire, use only No. 26 AWG or larger UL Listed or CSA Certified Telecommunication Line Cord.

Unplug this cordless phone immediately from an outlet if:

- The power cord or plug is damaged or frayed.
- Liquid has been spilled on the product.
- The product has been exposed to rain or water. Do not retrieve the handset or base until after you have unplugged the power and phone from the wall. Then retrieve the unit by the unplugged cords.
- The product has been dropped or the cabinet has been damaged.
- The product exhibits a distinct change in performance.

Doc Title :	User's Guide	Revision :	1.0
Model :	Motorola M80×C	Page(s) :	29 of 32

Installation Guidelines

1. Read all instructions and save them for future reference.
2. Follow all warnings and instructions marked on the product.
3. Do not install this product near a bath tub, sink, or shower.
4. Operate this phone using only the power source that is indicated on the marking label. If you are unsure of the power supply to your home, consult with your dealer or local power company.
5. Do not place this product on an unstable cart, stand, or table. This product may fall, causing serious damage to the product.
6. Adjust only those controls that are covered by the operating instructions. Improper adjustment of other controls may result in damage and will often require extensive work to restore the product to normal operation.
7. Clean this product with a soft, damp cloth. Do not use chemicals or cleaning agents to clean this phone.
8. Use only the power supply that came with this unit. Using other power supplies may damage the unit.
9. Because this phone operates on electricity, you should have at least one phone in your home that operates without electricity in case of a power outage.
10. To avoid interference to nearby appliances, do not place the base of the phone on or near a TV, microwave oven, or VCR.

CAUTION

To maintain compliance with the FCC's RF exposure guidelines, place the base unit at least 20 cm from nearby persons.

Battery Safety Instructions

- Do not burn, disassemble, mutilate, or puncture the battery. The battery contains toxic materials that could be released, resulting in injury.

CAUTION

There is a risk of explosion if you replace the battery with an incorrect battery type. Use only the battery pack that came with your phone or an authorized replacement recommended by the manufacturer.

- Keep battery packs out of the reach of children.
- Remove battery packs if storing over 30 days.
- Do not dispose of battery packs in fire, which could result in explosion.
- The rechargeable battery packs that power this product must be disposed of properly and may need to be recycled. Refer to your battery label for battery type. Contact your local recycling center for proper disposal methods.

SAVE THESE INSTRUCTIONS

Consumer Products and Accessories Limited Warranty ("Warranty")

Thank you for purchasing this Motorola branded product manufactured under license by Binatone Electronics International LTD ("BINATONE").

What Does this Warranty Cover?

Subject to the exclusions contained below, BINATONE warrants that this Motorola branded product ("Product") or certified accessory ("Accessory") sold for use with this product that it manufactured to be free from defects in materials and workmanship under normal consumer usage for the period outlined below. This Warranty is your exclusive warranty and is not transferable.

Who is covered?

This Warranty extends only to the first consumer purchaser, and is not transferable.

What will BINATONE do?

BINATONE or its authorized distributor at its option and within a commercially reasonable time, will at no charge repair or replace any Products or Accessories that does not conform to this Warranty. We may use functionally equivalent reconditioned/ refurbished/ pre-owned or new Products, Accessories or parts.

What Other Limitations Are There?

ANY IMPLIED WARRANTIES, INCLUDING WITHOUT LIMITATION THE IMPLIED WARRANTIES OF MERCHANTABILITY AND FITNESS FOR A PARTICULAR PURPOSE, SHALL BE LIMITED TO THE DURATION OF THIS LIMITED WARRANTY, OTHERWISE THE REPAIR OR REPLACEMENT PROVIDED UNDER THIS EXPRESS LIMITED WARRANTY IS THE EXCLUSIVE

Doc Title :	User's Guide	Revision :	1.0
Model :	Motorola M80×C	Page(s) :	30 of 32

REMEDY OF THE CONSUMER, AND IS PROVIDED IN LIEU OF ALL OTHER WARRANTIES, EXPRESS OF IMPLIED. IN NO EVENT SHALL MOTOROLA OR BINATONE BE LIABLE, WHETHER IN CONTRACT OR TORT (INCLUDING NEGLIGENCE) FOR DAMAGES IN EXCESS OF THE PURCHASE PRICE OF THE PRODUCT OR ACCESSORY, OR FOR ANY INDIRECT, INCIDENTAL, SPECIAL OR CONSEQUENTIAL DAMAGES OF ANY KIND, OR LOSS OF REVENUE OR PROFITS, LOSS OF BUSINESS, LOSS OF INFORMATION OR OTHER FINANCIAL LOSS ARISING OUT OF OR IN CONNECTION WITH THE ABILITY OR INABILITY TO USE THE PRODUCTS OR ACCESSORIES TO THE FULL EXTENT THESE DAMAGES MAY BE DISCLAIMED BY LAW.

Some jurisdictions do not allow the limitation or exclusion of incidental or consequential damages, or limitation on the length of an implied warranty, so the above limitations or exclusions may not apply to you. This Warranty gives you specific legal rights, and you may also have other rights that vary from one jurisdiction to another.

Products Covered	Length of Coverage
Consumer Products	One (1) year from the date of the products original purchase by the first consumer purchaser of the product.
Consumer Accessories	Ninety (90) days from the date of the accessories original purchase by the first consumer purchaser of the product.
Consumer Products and Accessories that are Repaired or Replaced	The balance of the original warranty or for ninety (90) days from the date returned to the consumer, whichever is longer.

Exclusions

Normal Wear and Tear. Periodic maintenance, repair and replacement of parts due to normal wear and tear are excluded from coverage.

Batteries. Only batteries whose fully charged capacity falls below 80% of their rated capacity and batteries that leak are covered by this Warranty.

Abuse & Misuse. Defects or damage that result from: (a) improper operation, storage, misuse or abuse, accident or neglect, such as physical damage (cracks, scratches, etc.) to the surface of the product resulting from misuse; (b) contact with liquid, water, rain, extreme humidity or heavy perspiration, sand, dirt or the like, extreme heat, or food; (c) use of the Products or Accessories for commercial purposes or subjecting the Product or Accessory to abnormal usage or conditions; or (d) other acts which are not the fault of MOTOROLA or BINATONE are excluded from coverage.

Use of Non-Motorola branded Products and Accessories. Defects or damage that result from the use of Non-Motorola branded or certified Products or Accessories or other peripheral equipment are excluded from coverage. Unauthorized Service or Modification. Defects or damages resulting from service, testing, adjustment, installation, maintenance, alteration, or modification in any way by someone other than MOTOROLA, BINATONE or its authorized service centers, are excluded from coverage.

Altered Products. Products or Accessories with (a) serial numbers or date tags that have been removed, altered or obliterated; (b) broken seals or that show evidence of tampering; (c) mismatched board serial numbers; or (d) nonconforming or non-Motorola branded housings, or parts, are excluded from coverage.

Communication Services. Defects, damages, or the failure of Products or Accessories due to any communication service or signal you may subscribe to or use with the Products or Accessories is excluded from coverage.

How to Obtain Warranty Service or Other Information?

To obtain service or information, please call:

US and Canada: 1-888-331-3383

You will receive instructions on how to ship the Products or Accessories at your expense and risk, to a BINATONE Authorized Repair Center.

Doc Title :	User's Guide	Revision :	1.0
Model :	Motorola M80×C	Page(s) :	31 of 32

To obtain service, you must include: (a) the Product or Accessory; (b) the original proof of purchase (receipt) which includes the date, place and seller of the Product; (c) if a warranty card was included in your box, a completed warranty card showing the serial number of the Product; (d) a written description of the problem; and, most importantly; (e) your address and telephone number.

These terms and conditions constitute the complete warranty agreement between you and BINATONE regarding the Products or Accessories purchased by you, and supersede any prior agreement or representations, including representations made in any literature publications or promotional materials issued by BINATONE or representations made by any agent employee or staff of BINATONE, that may have been made in connection with the said purchase.

FCC, ACTA and IC regulations

FCC Part 15

This equipment has been tested and found to comply with the requirements for a Class B digital device under Part 15 of the Federal Communications Commission (FCC) rules. These requirements are intended to provide reasonable protection against harmful interference in a residential installation.

This equipment generates, uses and can radiate radio frequency energy and, if not installed and used in accordance with the instructions, may cause harmful interference to radio communications. However, there is no guarantee that interference will not occur in a particular installation. If this equipment does cause harmful interference to radio or television reception, which can be determined by turning the equipment off and on, the user is encouraged to try to correct the interference by one or more of the following measures:

- Reorient or relocate the receiving antenna.
- Increase the separation between the equipment and receiver.
- Connect the equipment into an outlet on a circuit different from that to which the receiver is connected.
- Consult the dealer or an experienced radio/TV technician for help.

Changes or modifications to this equipment not expressly approved by the party responsible for compliance could void the user's authority to operate the equipment.

This device complies with Part 15 of the FCC rules. Operation is subject to the following two conditions: (1) this device may not cause harmful interference, and (2) this device must accept any interference received, including interference that may cause undesired operation. Privacy of communications may not be ensured when using this telephone.

To ensure safety of users, the FCC has established criteria for the amount of radio frequency energy that can be safely absorbed by a user or bystander according to the intended usage of the product. This product has been tested and found to comply with the FCC criteria. The handset may be safely held against the ear of the user. The telephone base shall be installed and used such that parts of the user's body other than the hands are maintained at a distance of approximately 20 cm (8 inches) or more.

This Class B digital apparatus complies with Canadian requirement: **CAN ICES-003(B)/NMB-3(B)**.

FCC Part 68 and ACTA

This equipment complies with Part 68 of the FCC rules and with technical requirements adopted by the Administrative Council for Terminal Attachments (ACTA). The label on the back or bottom of this equipment contains, among other things, a product identifier in the format US: AA#EQ##TXXXX. This identifier must be provided to your local telephone company upon request.

The plug and jack used to connect this equipment to premises wiring and the telephone network must comply with applicable Part 68 rules and technical requirements adopted by ACTA. A compliant telephone cord and modular plug is provided with this product. It is designed to be connected to a compatible modular jack that is also compliant. An RJ11 jack should normally be used for connecting to a single line and an RJ14 jack for two lines. See Installation Instructions in the User's Guide.

The Ringer Equivalence Number (REN) is used to determine how many devices you may connect to your telephone line and still have them ring when you are called. The REN for this product is encoded as the 6th and 7th characters following the US: in the product identifier (e.g., if ## is 03, the REN is 0.3). In most, but not all areas, the sum of all RENs should be five (5.0) or less. For more information, please contact your local telephone company.

This equipment may not be used with Party Lines. If you have specially wired alarm dialing equipment connected to your telephone line, ensure the connection of this equipment does not disable your alarm equipment. If you have questions about what will disable alarm equipment, consult your telephone company or a qualified installer. If this equipment is malfunctioning, it must be unplugged from the modular jack until the problem has been corrected. Repairs to this telephone equipment can only be made by the manufacturer or its authorized agents. For repair procedures, follow the instructions outlined under the Limited Warranty.

Doc Title :	User's Guide	Revision :	1.0
Model :	Motorola M80×C	Page(s) :	32 of 32

If this equipment is causing harm to the telephone network, the telephone company may temporarily discontinue your telephone service. The telephone company is required to notify you before interrupting service. If advance notice is not practical, you will be notified as soon as possible. You will be given the opportunity to correct the problem and the telephone company is required to inform you of your right to file a complaint with the FCC. Your telephone company may make changes in its facilities, equipment, operation, or procedures that could affect the proper functioning of this product. The telephone company is required to notify you if such changes are planned. If this product is equipped with a corded or cordless handset, it is hearing aid compatible. If this product has memory dialing locations, you may choose to store emergency telephone numbers (e.g., police, fire, medical) in these locations. If you do store or test emergency numbers, please:

- Remain on the line and briefly explain the reason for the call before hanging up.
- Perform such activities in off-peak hours, such as early morning or late evening.

Industry Canada

This device complies with Industry Canada licence-exempt RSS standards(s).

Operation is subject to the following two conditions: (1) this device may not cause harmful interference, and (2) this device must accept any interference, including interference that may cause undesired operation.

Privacy of communication may not be ensured when using this telephone.

The term "IC: " before the certification/registration number only signifies that the Industry Canada technical specifications were met.

The Ringer Equivalence Number (REN) for this terminal equipment is 0.5. The REN is an indication of the maximum number of devices allowed to be connected to a telephone interface. The termination on an interface may consist of any combination of devices subject only to the requirement that the sum of the RENs of all the devices does not exceed five.

This product meets the applicable Industry Canada technical specifications.

Technical Specifications

RF frequency band	1921.536 MHz - 1928.448 MHz
Channels	5
Operating temperature	5°C to 40°C
Base voltage	Input: 100 - 120 Vrms Dual output: 6VDC , 450mA/300mA
Cordless handset voltage	2.4V 500mAh Ni-MH battery pack
Charger voltage	Input: 100 - 120 Vrms Output: 6VDC , 300mA



motorola

Manufactured, distributed or sold by Binatone Electronics International LTD., official licensee for this product. MOTOROLA and the Stylized M Logo are trademarks or registered trademarks of Motorola Trademark Holdings, LLC. and are used under license. All other trademarks are the property of their respective owners.
© 2014 Motorola Mobility, Inc. All rights reserved.



Version 1.0
Printed in China