



motorola

User’s Guide

Video Baby Monitor

Model: MBP140 / MBP140-2

Doc Title	: Product Data – User’s Guide	Revision	: R.00
Model	: MBP140	Page(s)	: 2 of 14

Welcome...

to your new Motorola Baby monitor!

Thank you for purchasing the MBP140. Now you can monitor the sound of your baby from another room.

Please retain your original dated sales receipt for your records. For warranty service of your Motorola product, you will need to provide a copy of your dated sales receipt to confirm warranty status. Registration is not required for warranty coverage.

For product-related questions, please call:

US and Canada: 1-888-331-3383
Couriel: support@motorolahome.com

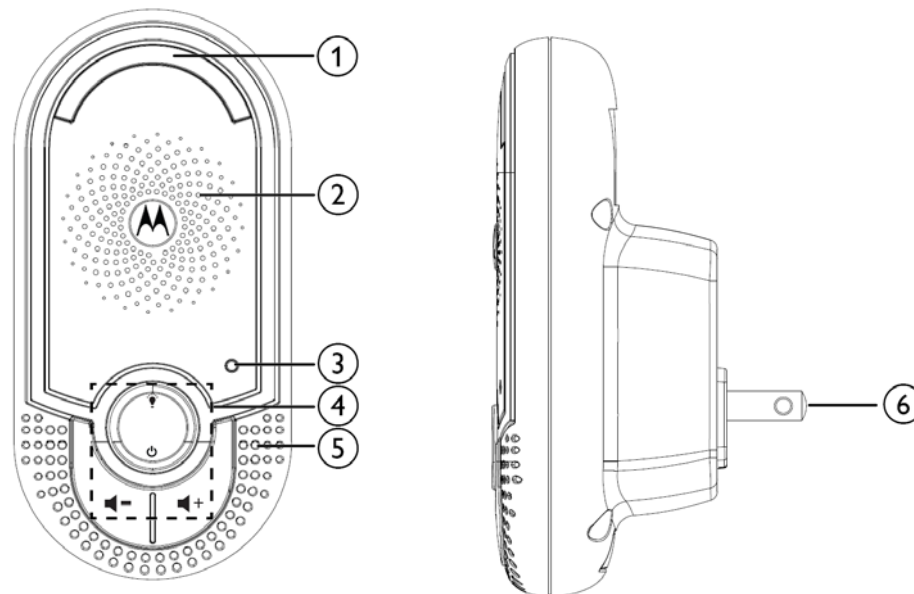
This User’s Guide provides you with all the information you need to get the most from your product.

Before you use the baby monitor, we recommend you insert and fully charge the battery in the parent unit, so that it continues to work if you disconnect it from the mains power to carry it to another location. Please read the Safety Instructions on page 6 before you install the units.

Got everything?

- 1 x Parent unit and battery door
- 1 x Baby unit
- 1 x Parent unit charger with adaptor
- 1 x AAx2 Ni-MH battery pack
- 1 x User's guide

Overview of your Baby unit



1 Nightlight Output

- On when the nightlight is turned on.
- Off when the nightlight is turned off.

2 Speaker

3 Power indicator

- On when the baby unit is powered on.
- Off when the baby unit is powered off.

4 Control key panel

Nightlight ON/OFF button

- Press to turn on/off the nightlight.

Power ON/OFF button

- Press and hold to turn the baby unit on or off.

Volume

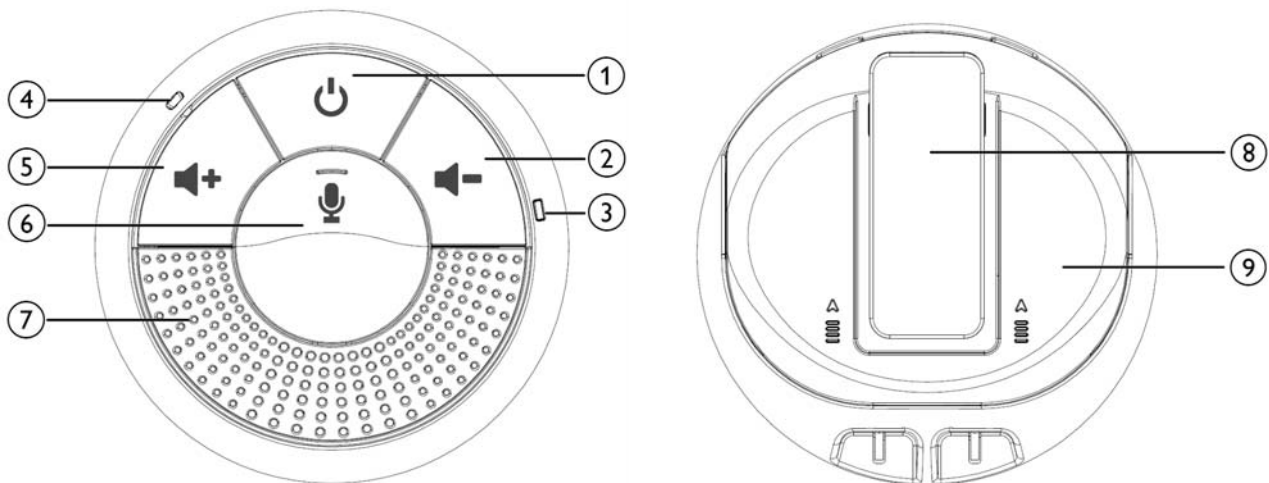
- Press to adjust the speaker volume.

5 Microphone

- Transmit sound to the baby unit speaker.

6 Power adaptor

Overview of the Parent unit



1 Power ON/OFF button

- Press and hold to turn the parent unit on or off.

2 Volume

- Press to decrease the speaker volume.

3 Power/link indicator

- On in green when the parent unit is powered on and linked to the baby unit.
- On in orange when the parent unit battery is charging while linked to the baby unit.
- Alternates in orange and red when the parent unit battery is charging while not linked to the baby unit.
- Alternates in orange and green when the battery is low while linked to the baby unit.
- Flashes in orange when the battery is low while not linked to the baby unit.
- Off when the parent unit is powered off.

4 Microphone

- Transmit sound to the baby unit speaker.

5 Volume

- Press to increase the speaker volume.

6 Talk

- Press and hold to talk to comfort the baby.

7 Speaker

8 Belt clip

9 Battery compartment cover

Doc Title :	Product Data – User’s Guide	Revision :	R.00
Model :	MBP140	Page(s) :	5 of 14

Important guidelines for installing your Baby Monitor

- To use your baby unit and parent unit together, you must be able to establish a radio link between them, and the range will be affected by environmental conditions.
- Any large metal object, like a refrigerator, a mirror, a filing cabinet, metallic doors or reinforced concrete, between the baby and parent unit may block the radio signal.
- The signal strength may also be reduced by other solid structures, like walls, or by radio or electrical equipment, such as TVs, computers, cordless or mobile phones, fluorescent lights or dimmer switches.
- Use of other wireless products, such as wireless networks, Bluetooth systems or microwave ovens may cause interference with this product, so keep the baby monitor away from these types of products, or turn them off if they appear to be causing interference.
- If the signal is poor, try moving the parent and/or the baby unit to different positions in the rooms.
- It is recommended to place the baby unit about 5 feet from the Crib to ensure sound can be received and heard.
- It is essential to ensure sufficient clear space around the baby unit.

Doc Title :	Product Data – User’s Guide	Revision :	R.00
Model :	MBP140	Page(s) :	6 of 14

TABLE OF CONTENTS

1	SAFETY INSTRUCTIONS	7
2	GETTING STARTED	8
2.1	CONNECTING BABY UNIT TO POWER	8
2.2	INSTALLING BATTERY AND CONNECTING PARENT UNIT TO POWER	9
3	USING YOUR BABY MONITOR	10
3.1	POWER ON OR OFF THE BABY UNIT.....	10
3.2	POWER ON OR OFF THE PARENT UNIT.....	10
3.3	SET NIGHTLIGHT	10
3.4	ADJUST THE SPEAKER VOLUME FOR PARENT UNIT.....	10
4	DISPOSAL OF THE DEVICE (ENVIRONMENT)	10
5	CLEANING	10
6	TROUBLESHOOTING	11
7	GENERAL INFORMATION	11
8	TECHNICAL SPECIFICATIONS	14

Doc Title : Product Data – User’s Guide	Revision : R.00
Model : MBP140	Page(s) : 7 of 14

1 SAFETY INSTRUCTIONS



Presence of un-insulated dangerous voltage within the product’s enclosure that may be of sufficient magnitude to constitute a risk of electric shock to persons.



WARNING:

Presence of important operating and maintenance (servicing) instructions in the literature accompanying the appliance.

This Baby Monitor is compliant with all relevant standards regarding electromagnetic fields and is, when handled as described in the User’s Guide, safe to use. Therefore, always read the instructions in this User’s Guide carefully before using the device.

- The socket outlet shall be installed near the equipment and shall be easily accessible. •
- Determine a location for the baby monitor that will provide the best audio reception of your baby in his crib.
- NEVER place the baby monitor within the crib.
- Adult assembly is required. Keep small parts away from children when assembling.
- This product is not a toy. Do not allow children to play with it.
- This baby monitor is not a substitute for responsible adult supervision.
- Keep this User’s Guide for future reference.
- Do not cover the baby monitor with a towel or blanket.
- Test this monitor and all its functions so that you are familiar with it prior to actual use.
- Do not use the baby monitor near water.
- Do not install the baby monitor near a heat source.

CAUTION

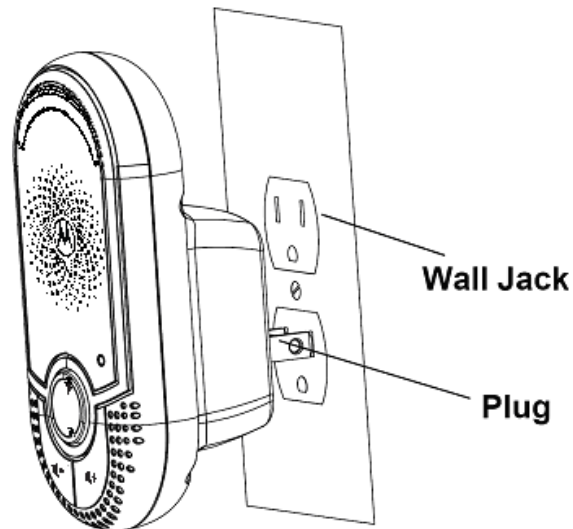
In order to reduce the risk of fire or electrical shock, do not expose the device to water or humidity. Never disassemble the device. Opening the casing is dangerous and will invalidate the warranty.

The electrical plug is used to disconnect the device and it should remain readily operable during use. In order to disconnect the apparatus from power completely, the outlet plug should be disconnected from the electrical outlet completely.

You chance the risk of explosion if battery is replaced by an incorrect type. Dispose of used batteries according to their instructions. Use only the provided rechargeable battery pack.

2 GETTING STARTED

2.1 Connecting baby unit to power

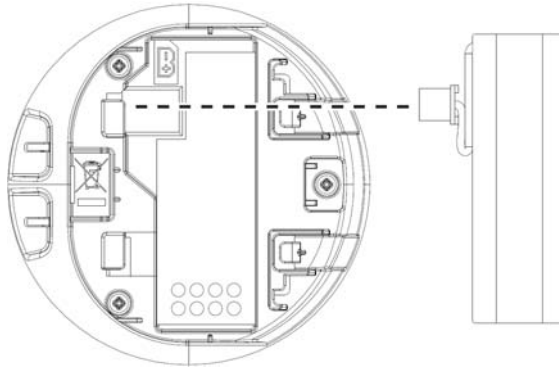


1. Choose a proper location with easy access to a power outlet.
2. Plug the baby unit into the power outlet in your baby's room. Ensure sufficient clearance is given for it to detect sound and place it not more than 5 feet away from the baby's crib.
3. Plug in the parent unit where you want to monitor your baby.

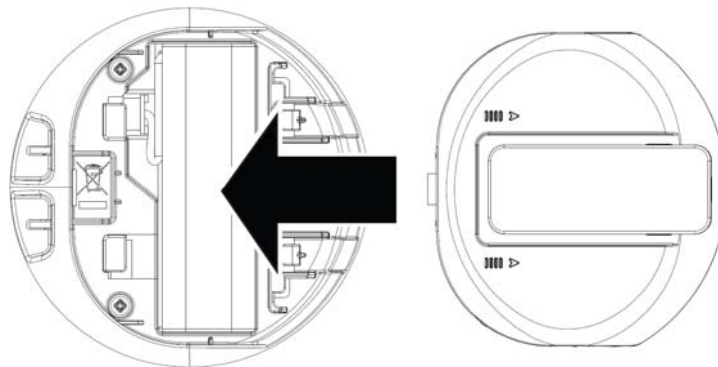
2.2 Installing battery and connecting parent unit to power

A rechargeable battery pack is supplied and should be fitted, so that the parent unit can be moved without losing the link and picture from the baby unit(s). Charge the parent unit before you use it for the first time or when the parent unit indicates that the battery is low.

1. Slide off the battery compartment cover
2. Insert the plug of the battery pack into the jack inside the battery compartment, and fit the battery pack into the compartment.



3. Slide the battery compartment cover back until it securely clicks into place.



4. Place the parent unit onto the charger.
5. Connect the power adaptor of the charger to a suitable power outlet.



NOTE



Only use the provided battery pack.

Doc Title :	Product Data – User’s Guide	Revision :	R.00
Model :	MBP140	Page(s) :	10 of 14



3 USING YOUR BABY MONITOR

Please read these instructions carefully, and be aware that this baby monitor is only intended as an aid. It is not a substitute for responsible, correct parental supervision.

3.1 Power on or off the baby unit

- Press and hold  to turn on the baby unit. The **Power indicator** turns on.
- Press and hold  again to turn off the baby unit. The **Power indicator** light turns off.

3.2 Power on or off the parent unit

- Press and hold  to turn on the parent unit. The **Power/link indicator** turns on.
- Press and hold  again to turn off the parent unit. The **Power/link indicator** turns off.

NOTE

Do not place the parent and baby units too close together or you may hear a high pitched noise. This is audio feedback, not a defect in the unit. The units are designed to be operated at some distance apart, e.g. in separate rooms.

3.3 Set nightlight

The nightlight feature is for giving the room a soft glow so the baby can be observed without disrupting it with bright lights.

1. When the nightlight is off, press  on the baby unit turn it on.
2. When the nightlight is on, press  on the baby unit to turn it off.

3.4 Adjust the speaker volume for parent unit

You can adjust the speaker volume from **Volume 1** to **Volume 5**, or turn it off.

- Press  or  on the parent unit when it is not in use.

4 DISPOSAL OF THE DEVICE (ENVIRONMENT)

At the end of the product lifecycle, you should not dispose of this product with normal household waste. Take this product to a collection point for the recycling of electrical and electronic equipment. The symbol on the product, user’s guide and/or box indicates this.



Some of the product materials can be re-used if you take them to a recycling point. By reusing some parts or raw materials from used products you make an important contribution to the protection of the environment.

Please contact your local authorities in case you need more information on the collection points in your area.

Dispose of the battery pack in an environmentally-friendly manner according to your local regulations.

5 CLEANING

Clean your MBP140 with a slightly damp cloth or with an anti-static cloth. Never use cleaning agents or abrasive solvents.

Cleaning and care

- Do not clean any part of the MBP140 with thinners or other solvents and chemicals – this may cause permanent damage to the product which is not covered by the warranty.
- Keep your MBP140 away from hot, humid areas or strong sunlight, and do not let it get wet.
- Every effort has been made to ensure high standards of reliability for your MBP140. However, if something does go wrong, please do not try to repair it yourself – contact Customer Service for assistance.


IMPORTANT

Always switch off and disconnect the power adaptor before cleaning your baby monitor.


Doc Title :	Product Data – User’s Guide	Revision :	R.00
Model :	MBP140	Page(s) :	11 of 14

6 TROUBLESHOOTING


Power/link Indicator on the parent unit does not come on

- The parent baby unit may be switched off. Press the  button to switch on the baby unit.
- Check whether the supplied battery pack is correctly installed and that they are not drained.
- Recharge the parent unit by connecting it to the power supply.

Power Indicator on the baby unit flashes

- The baby unit may be switched off. Press the  button to switch on the baby unit.
- The parent unit and the baby unit may be out of range with each other. Reduce the distance between the units, but not closer than 5 feet.

The parent unit beeps

- The parent unit may have lost connection with the monitoring baby unit. Reduce the distance between the parent unit and the baby unit, but not closer than 5 feet.
- The baby unit may be switched off. Press the  button to switch on the baby unit.
- Battery pack in parent unit is running low. Connect the parent unit to the mains power with the supplied power adaptor for recharging.

Cannot hear sound or baby cry from the parent unit

- The volume level in the parent unit may be set too low, increase the volume level of the parent unit. Refer to section 3.4 for volume level settings
- The parent unit and the monitoring baby unit may be out of range with each other. Reduce the distance between the units, but not closer than 5 feet.

The baby monitor system produces a high-pitched noise

- The parent unit and the baby unit are too close to each other. Make sure the parent unit and baby unit is at least 5 feet away from each other.
- The speaker volume of the parent unit maybe set too high. Decrease the volume of the parent unit.

Battery pack in the parent unit is running low quickly

- The volume level of the parent unit may be set too high which consumes power. Decrease the volume level of the parent unit. Refer to section 3.4 for volume level settings.

7 GENERAL INFORMATION

If your product is not working properly...

1. Read this User’s Guide.
2. Visit our website: www.motorola.com
3. Contact Customer Service at
US and Canada: 1-888-331-3383
Courriel : support@motorolahome.com

To order a replacement battery pack for parent unit, contact customer service.

Consumer Products and Accessories Limited Warranty (“Warranty”)

Thank you for purchasing this Motorola branded product manufactured under license by Binatone Electronics International LTD ("BINATONE")

What Does this Warranty Cover?

Subject to the exclusions contained below, BINATONE warrants that this Motorola branded product ("Product") or certified accessory ("Accessory") sold for use with this product that it manufactured to be free from defects in materials and workmanship under normal consumer usage for the period outlined below. This Warranty is your exclusive warranty and is not transferable.

Who is covered?

This Warranty extends only to the first consumer purchaser, and is not transferable.

What will BINATONE do?

BINATONE or its authorized distributor at its option and within a commercially reasonable time, will at no charge repair or replace any Products or Accessories that does not conform to this Warranty. We may use functionally equivalent reconditioned/ refurbished/ pre-owned or new Products, Accessories or parts.

What Other Limitations Are There?

ANY IMPLIED WARRANTIES, INCLUDING WITHOUT LIMITATION THE IMPLIED WARRANTIES OF MERCHANTABILITY AND FITNESS FOR A PARTICULAR PURPOSE, SHALL BE LIMITED TO THE DURATION OF THIS LIMITED WARRANTY, OTHERWISE THE REPAIR OR REPLACEMENT PROVIDED UNDER THIS EXPRESS LIMITED WARRANTY IS THE EXCLUSIVE REMEDY OF THE CONSUMER, AND IS PROVIDED IN LIEU OF ALL OTHER WARRANTIES, EXPRESS OR IMPLIED. IN NO EVENT SHALL MOTOROLA OR BINATONE BE LIABLE, WHETHER IN CONTRACT OR TORT (INCLUDING NEGLIGENCE) FOR DAMAGES IN EXCESS OF THE PURCHASE PRICE OF THE PRODUCT OR ACCESSORY, OR FOR ANY INDIRECT, INCIDENTAL, SPECIAL OR CONSEQUENTIAL DAMAGES OF ANY KIND, OR LOSS OF REVENUE OR PROFITS, LOSS OF BUSINESS, LOSS OF INFORMATION OR OTHER FINANCIAL LOSS ARISING OUT OF OR IN CONNECTION WITH THE ABILITY OR INABILITY TO USE THE PRODUCTS OR ACCESSORIES TO THE FULL EXTENT THESE DAMAGES MAY BE DISCLAIMED BY LAW.

Some jurisdictions do not allow the limitation or exclusion of incidental or consequential damages, or limitation on the length of an implied warranty, so the above limitations or exclusions may not apply to you. This Warranty gives you specific legal rights, and you may also have other rights that vary from one jurisdiction to another.

Products Covered	Length of Coverage
Consumer Products	One (1) year from the date of the products original purchase by the first consumer purchaser of the product.
Consumer Accessories	Ninety (90) days from the date of the accessories original purchase by the first consumer purchaser of the product.
Consumer Products and Accessories that are Repaired or Replaced	The balance of the original warranty or for ninety (90) days from the date returned to the consumer, whichever is longer.

Exclusions

Normal Wear and Tear. Periodic maintenance, repair and replacement of parts due to normal wear and tear are excluded from coverage.

Batteries. Only batteries whose fully charged capacity falls below 80% of their rated capacity and batteries that leak are covered by this Warranty.

Abuse & Misuse. Defects or damage that result from: (a) improper operation, storage, misuse or abuse, accident or neglect, such as physical damage (cracks, scratches, etc.) to the surface of the product resulting from misuse; (b) contact with liquid, water, rain, extreme humidity or heavy perspiration, sand, dirt or the like, extreme heat, or food; (c) use of the Products or Accessories for commercial purposes or subjecting the Product or Accessory to abnormal usage or conditions; or (d) other acts which are not the fault of MOTOROLA or BINATONE., are excluded from coverage.

Use of Non-Motorola branded Products and Accessories. Defects or damage that result from the use of Non-Motorola branded or certified Products or Accessories or other peripheral equipment are excluded from coverage.

Unauthorized Service or Modification. Defects or damages resulting from service, testing, adjustment, installation, maintenance, alteration, or modification in any way by someone other than MOTOROLA, BINATONE or its authorized service centers, are excluded from coverage.

Altered Products. Products or Accessories with (a) serial numbers or date tags that have been removed, altered or obliterated; (b) broken seals or that show evidence of tampering; (c) mismatched board serial numbers; or (d) nonconforming or non-Motorola branded housings, or parts, are excluded from coverage.

Communication Services. Defects, damages, or the failure of Products or Accessories due to any communication service or signal you may subscribe to or use with the Products or Accessories is excluded from coverage.

Doc Title :	Product Data – User’s Guide	Revision :	R.00
Model :	MBP140	Page(s) :	13 of 14

How to Obtain Warranty Service or Other Information?

To obtain service or information, please call:

US and Canada: 1-888-331-3383

Courriel: support@motorolahome.com

You will receive instructions on how to ship the Products or Accessories at your expense and risk, to a BINATONE Authorized Repair Center.

To obtain service, you must include: (a) the Product or Accessory; (b) the original proof of purchase (receipt) which includes the date, place and seller of the Product; (c) if a warranty card was included in your box, a completed warranty card showing the serial number of the Product; (d) a written description of the problem; and, most importantly; (e) your address and telephone number.

These terms and conditions constitute the complete warranty agreement between you and BINATONE. regarding the Products or Accessories purchased by you, and supersede any prior agreement or representations, including representations made in any literature publications or promotional materials issued by BINATONE. or representations made by any agent employee or staff of BINATONE, that may have been made in connection with the said purchase.

FCC, ACTA and Industry Canada (IC) Regulations

Warning: Changes or modifications to this equipment not expressly approved by the party responsible for compliance could void the user’s authority to operate the equipment.

NOTE: This equipment has been tested and found to comply with the limits for a Class B digital device, pursuant to Part 15 of the FCC Rules. These limits are designed to provide reasonable protection against harmful interference in a residential installation. This equipment generates, uses and can radiate radio frequency energy and, if not installed and used in accordance with the instructions, may cause harmful interference to radio communications.

However, there is no guarantee that interference will not occur in a particular installation. If this equipment does cause harmful interference to radio or television reception, which can be determined by turning the equipment off and on, the user is encouraged to try to correct the interference by one or more of the following measures:

- Reorient or relocate the receiving antenna.
- Increase the separation between the equipment and receiver.
- Connect the equipment into an outlet on a circuit different from that to which the receiver is connected.
- Consult the dealer or an experienced radio/TV technician for help.

This device complies with part 15 of the FCC Rules. Operation is subject to the following two conditions: (1) This device may not cause harmful interference, and (2) this device must accept any interference received, including interference that may cause undesired operation.

This device complies with Industry Canada license-exempt RSS standard(s). Operation is subject to the following two conditions: (1) this device may not cause interference, and (2) this device must accept any interference, including interference that may cause undesired operation of the device.

This Class B digital apparatus complies with Canadian CAN ICES-3/NMB-3 (B)

Caution: To maintain the compliance with the FCC’s RF exposure guideline, place the baby unit at least 20 cm from nearby persons."

For body worn operation, the parent unit has been tested and meets the FCC RF exposure guidelines when used with the belt clip supplied or designated for this product. Use of other accessories may not ensure compliance with FCC RF exposure guide lines.

Doc Title :	Product Data – User’s Guide	Revision :	R.00
Model :	MBP140	Page(s) :	14 of 14

8 TECHNICAL SPECIFICATIONS

BABY UNIT :

Frequency	1921.536 MHz – 1928.448 MHz
Channels	5
Operating temperature	5°C - 45°C
Power supply adaptor	Input 100-240VAC, 50/60Hz.
Rating	Output 6VDC, 450mA.

PARENT UNIT :

Frequency	1921.536 MHz – 1928.448 MHz
Channels	5
Operating temperature	5°C - 45°C
Battery rating	2.4V, 400mAh Ni-MH battery pack (EU- COSLIGHT: VT40AAAALH2BMXZ) (US- COSLIGHT: LH040-4A52C2B / GPI: VTRHC04RN003)
Power supply adaptor	Input 100-240VAC, 60Hz. (US: RJ-AS060400U001 / TP: S003AKU0600040) (UK: RJ-AS060400B001 / TP: S003GB0600040) (EU: RJ-AS060400E001 / TP: S003GV0600040)
Rating	Output 6VDC, 400MA

For pluggable equipment, the socket-outlet (power adaptor) shall be installed near the equipment and shall be easily accessible.

Specifications are subject to change without prior notice.



motorola

Manufactured, distributed or sold by Binatone Electronics International LTD., official licensee for this product. MOTOROLA and the Stylized M Logo are trademarks or registered trademarks of Motorola Trademark Holdings, LLC. and are used under license. All other trademarks are the property of their respective owners.
© 2016 Motorola Mobility, LLC. All rights reserved.

Version 1.0
Printed in China