

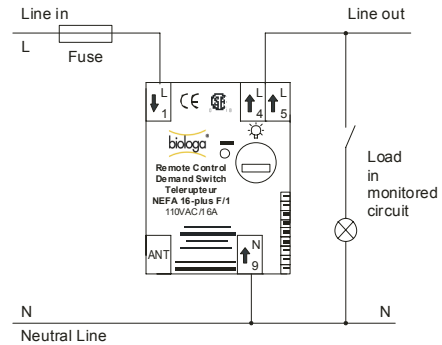
## Biologa Electronic Remote Control Demand Switch >>NEFA 16-plus F/1<<



### Circuit diagram

Order #:

**NEFA16-plus F/1**



### Installation Instructions

The demand switch NEFA 16-plus F/1 must be installed by a licensed electrician according to the electrical code of each Province (Canada) or State (USA).

#### Installation:

The switch is added to an existing circuit just after the circuit breaker and switches the hot or black wire in that circuit. The switch is mounted in its own, separate approved electrical box beside the main panel or a sub panel. Please note that the circuit will still be protected by the circuit breaker. The switch is **by no means a circuit breaker replacement** but an additional in-line device. Each switch controls a single circuit.

**For proper connections see schematic drawing on top.**

#### Installation:

1. Turn off the breaker of the desired circuit
2. Install the NEFA 16-plus F/1 in a separate electrical box according to the above shown wire diagram and electrical code.
3. After installing the receiver switch, mount the antenna on top of the box and connect to the socket @ the bottom of the F/1  
**Note:** Antenna must not be obstructed
4. Plug in the control light (included in scope of supply) into a visible receptacle in the monitored circuit and test for proper function of the switch.
5. **Stick the red warning sticker with breaker number and circuit name on the fuse box and on the box where the demand switch is installed, as well as on all monitored outlets**

#### Safety features:

The **NEFA 16-plus F/1** has an integrated electronic breaker to protect itself (not a replacement for the regular breaker of the circuit).

In the case of lightning or surge the F/1 shuts off. To reset the proper function turn the main breaker for that circuit off for 30 seconds and on again.

This resets the integrated breaker of the F/1 and brings it back to its normal function.

#### Remote control unit

small dimension handheld RF transmitter with HCS rolling code encoder. High security level, safe and easy to use. The RF transmitter allows the user to manually turn **on** or **off** desired circuits

By pressing the blue button the unit sends a short analog signal to the base unit and turns desired circuits **on** or **off**.

Low energy consumption lithium battery.

Biologa IC: 6454A-NEFA16F1	Model No.: NEFA 16 PLUS F/1 FCC ID: TZE-NEFA16PLUSF-1
-------------------------------	----------------------------------------------------------

\* This device complies with Part 15 of the FCC Rules. Operation is subject to the following two conditions: (1) This device may not cause harmful interference, and (2) This device must accept any interference received, including interference that may cause undesired operation.

"The user's manual or instruction manual for an intentional or unintentional radiator shall caution the user that changes or modifications not expressly approved by the party responsible for compliance could void the user's authority to operate the equipment"