



BISSELL®

WE MEAN CLEAN

Earn BISSELL Rewards!

Register your
product today!

See details on
page 2

EASY sweep™

USER'S GUIDE
15D1 SERIES

- 2 Thank You
- 2 Product registration
- 3 Safety instructions
- 4 Product view
- 4-5 Assembly
- 5 Operations
- 6 Maintenance and care
- 7 Troubleshooting
- 7 Replacement parts
- 8 Warranty



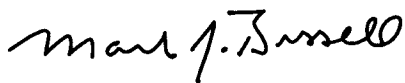
Thanks for buying a BISSELL EasySweep™

We're glad you purchased a BISSELL EasySweep. Everything we know about floor care went into the design and construction of this complete, high-tech home cleaning system.

Your BISSELL EasySweep is well made, and we back it with a limited one year warranty. We also stand behind it with a knowledgeable, dedicated Consumer Services department, so, should you ever have a problem, you'll receive fast, considerate assistance.

My great-grandfather invented the floor sweeper in 1876. Today, BISSELL is a global leader in the design, manufacture, and service of high quality homecare products like your BISSELL EasySweep.

Thanks again, from all of us at BISSELL.



Mark J. Bissell
Chairman, President & CEO

Don't forget to register your product!

Registering is quick, easy and offers you benefits over the lifetime of your product. You'll receive:

BISSELL Rewards Points

Automatically earn points for discounts and free shipping on future purchases.

Faster Service

Supplying your information now saves you time should you need to contact us with questions regarding your product.

Product Support Reminders and Alerts

We'll contact you with any important product maintenance reminders and alerts.

Special Promotions

Optional: Register your email to receive notice of offers, contests, cleaning tips and more!

Visit www.bissell.com/registration now!

IMPORTANT SAFETY INSTRUCTIONS

READ ALL INSTRUCTIONS BEFORE USING YOUR EASYSWEEP™ SWEEPER.

When using an electrical appliance, basic precautions should be observed, including the following:

WARNING: To

reduce the risk of fire, electric shock, or injury:

- Do not use or charge EasySweep outdoors.
- Do not allow EasySweep to be used as a toy. Close attention is necessary when used by or near children.
- Do not immerse or use on wet surfaces.
- Do not handle charger, including charger plug and charger terminals, with wet hands.
- Do not use EasySweep if it has been dropped, damaged, left outdoors or dropped into water – take it to a Service Center.
- Do not damage the charging cord or use with damaged cord or plug. Never carry or pull by the cord, use cord as a handle, close door on cord, or pull cord around sharp edges or corners. Keep cord away from heated surfaces.
- Do not unplug charger by pulling cord. To unplug, grasp the plug, not the cord.
- Do not use an extension cord. Charger should plug directly into electrical outlet.
- Do not put any object into appliance openings.
- Do not use with an opening blocked; keep free of dust, lint, hair and anything that may restrict airflow.
- Do not contact moving parts.
- Do not pick up hot, burning or smoking objects such as cigarettes, matches or hot ashes.
- Do not pick up flammable or combustible materials (lighter fluid, gasoline, kerosene, etc.) or use in the presence of explosive liquids or vapor.
- Do not use appliance in an enclosed space filled with vapors given off by oil base paint, paint thinner, some moth proofing substances, flammable dust, or other explosive or toxic vapors.
- Do not pick up toxic material (chlorine bleach, ammonia, drain cleaner, gasoline, etc.).
- Do not use for any purpose other than

described in the User's Guide.

- Use only the charger supplied by BISSELL to recharge your EasySweep.
- Use charger unit only in standard electrical outlet (120v – 60hz).
- Use extra care when cleaning on stairs.
- Disconnect EasySweep from charger before maintenance or cleaning.

This product contains rechargeable nickel cadmium batteries. Do not incinerate batteries or they will explode when exposed to high temperatures.

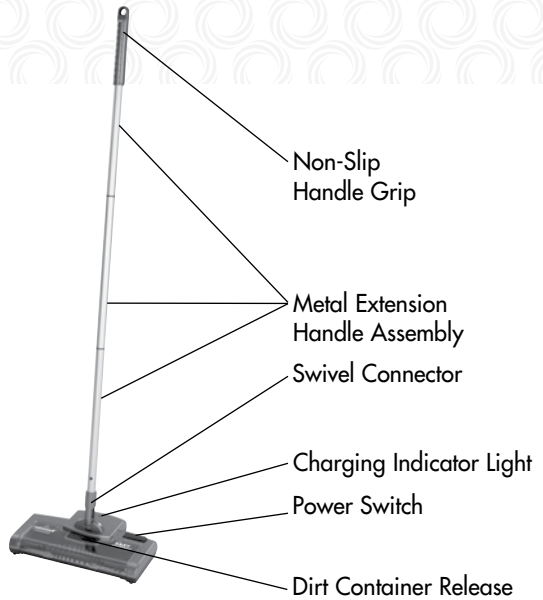
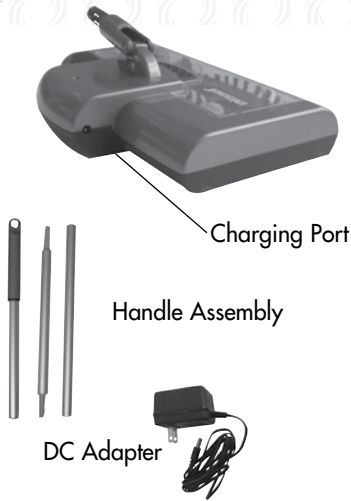
Battery cell leaks can occur under extreme conditions. If battery cell contents come in contact with the skin, wash immediately with soap and water, then neutralize with a mild acid such as vinegar or lemon juice.

If battery cell contents get into the eyes, flush immediately with clean water for a minimum of 15 minutes. Seek medical attention.

SAVE THESE INSTRUCTIONS

THIS MODEL IS FOR HOUSEHOLD USE ONLY.

Product view

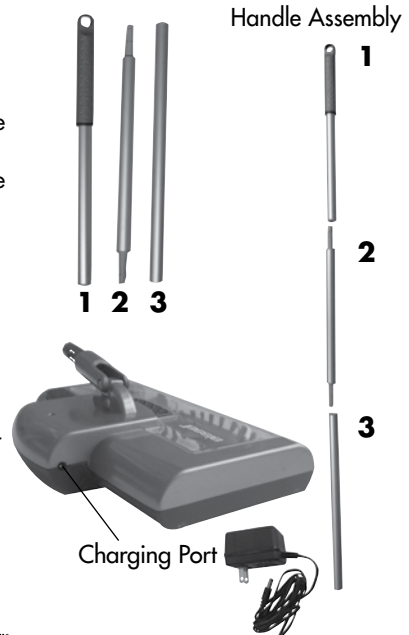


Assembly

The EasySweep requires very little assembly. Remove it from the box and check it against the illustration to familiarize yourself with the components listed. The exploded view diagram with part names will also be helpful if you should need to order a part at a later time.

1. Assemble the handle by taking the section with the non-slip grip (1) and the middle section which has grey connector pieces on each end (2). Insert the middle section (2) into the grip section (1) and twist to tighten into place. Next, take this assembled section and insert into the bottom section with a hole (3). Twist to tighten into place.
2. Take the assembled handle and line up the bottom hole with the button on the swivel connector on top of the EasySweep. Push the button on the swivel connector down while pushing the assembled handle over the button, locking the handle into place.
3. The EasySweep must be fully charged before using. To charge the unit, plug the charger into a standard electrical outlet (120v-60hz); plug the opposite end into the charging port on the back side of your EasySweep. The charging indicator light will illuminate when properly connected and will not turn off when fully charged. The EasySweep is now charging.

Note: The Power Switch must be in the OFF position when charging.



Assembly

Charging the battery

1. When completely charged, the EasySweep provides up to 45 minutes of cleaning time.
2. When charging for the first time, allow to charge uninterrupted for at least 16 hours. Thereafter, charge at least 16 hours to fully renew the EasySweep battery. The charging indicator light will illuminate when properly connected and will not turn off when fully charged.
Note: The Power Switch must be in the OFF position when charging.
3. Decreased operating time may indicate the battery has built up a resistance. To recharge, first completely exhaust the battery, recharge it, and then exhaust it again before recharging a second time. This procedure may be required more than once.
4. When charging is complete, be sure to unplug the EasySweep from the charger.

Operations

Using your EasySweep

The EasySweep is a quick and easy way to clean your bare floors, low pile rugs and carpet.

1. Tip back the handle into typical use position and gently tap the power switch on the sweeper with your foot.
Note: The unit will continue to run even if the dirt container door is not closed.
2. The handle swivels for easy maneuvering to clean your bare floors, low pile rugs and carpet.
3. When done, turn off the unit by gently tapping the power switch with your foot and store for the next use.

Attention:

If your battery still fails to recharge or does not hold a charge of normal duration, call:

BISSELL Consumer Services

1-800-237-7691

Monday – Friday 8 a.m. – 10 p.m. ET

Saturday 9 a.m. – 8 p.m. ET

Or visit our website at:

www.bissell.com



WARNING:

EasySweep will not pick up crayons, marbles, and other large or hard objects.

Maintenance and care

Emptying dirt cup

The Dirt Cup should be emptied after each use.

1. Make sure the EasySweep is in the "OFF" position.
2. Hold the base of the unit over a waste can to empty.
3. Press the dirt container release button and empty the contents into the waste can.

Note: The dirt container opens from the bottom of the EasySweep.

4. Push the dirt container door gently back into place.
5. Clean exterior surfaces with a soft cloth dampened with water only. Do not use a strong detergent or other cleaner – this may damage the finish. Always unplug the EasySweep from the charger before cleaning the surface.



Disposal of batteries

See the following instructions to dispose of the batteries after they have exceeded the battery life.



WARNING: This product contains a nickel-cadmium (Ni-Cd) rechargeable battery pack. According to Federal and State regulations, removal and proper disposal of Ni-Cd batteries is required. For removal of the battery pack in your EasySweep, see instructions below:

1. **IMPORTANT:** Unplug charger.
2. Remove handle then pry 4 wheels from bottom of sweeper.
3. Remove (6) Phillips head screws on the bottom cover as shown in picture.
4. Separate top and bottom cover.
5. Remove wire connectors from the battery pack.
6. Keep Battery Pack together – DO NOT separate individual batteries. For specific disposal instructions of batteries, please contact: RBRC (Rechargeable Battery Recycling Corporation) **1-800-822-8837 or visit www.rbrc.com**
7. Discard remainder of product.

Caution: Disconnecting the battery will destroy the appliance and invalidate the warranty.



6 Screws

Troubleshooting

No power

Possible causes

1. EasySweep is not charged thoroughly

Remedies

1. Make sure EasySweep has been properly plugged into an outlet for the recommended amount of time. See "Charging the Battery" on page 5

EasySweep operating but not picking up mess

Possible causes

1. The dirt container may be full
2. Debris may be lodged in the EasySweep or may be too heavy for the sweeper to pick up

Remedies

1. Empty out the dirt container (see Maintenance and Care on page 6)
2. Empty out the dirt container (see Maintenance and Care on page 6) or avoid picking up large items with the EasySweep

Dirt Container door won't open

Possible causes

1. A dirt jam gap between the dirt container door and the bottom cover

Remedies

1. Clean the gap thoroughly so the dirt container door can drop smoothly

Dirt Container Release button won't function

Possible causes

1. Dirt build-up in the dirt container

Remedies

1. Push the dirt container release door on the bottom of the unit and the release button on the top of the unit at the same time

Other maintenance or service not included in the manual should be performed by an authorized service representative.

Thank you for selecting a BISSELL product.

Please do not return this product to the store.

For any questions or concerns, BISSELL is happy to be of service. Contact us directly at 1-800-237-7691.

Replacement parts - BISSELL EasySweep

You may purchase replacement parts by calling BISSELL Consumer Services or by visiting our website. See page 8 for contact information.

Item	Part No.	Part Name
1.	203-1090	Handle Assembly
2.	203-1092	Charger



Warranty- BISSELL EasySweep

This warranty gives you specific legal rights, and you may also have other rights which may vary from state to state. If you need additional instruction regarding this warranty or have questions regarding what it may cover, please contact BISSELL Consumer Services by E-mail, telephone, or regular mail as described below.

Limited One Year Warranty

Subject to the *EXCEPTIONS AND EXCLUSIONS identified below, upon receipt of the product BISSELL Homecare, Inc. will repair or replace (with new or remanufactured components or products), at BISSELL's option, free of charge from the date of purchase by the original purchaser, for one year any defective or malfunctioning part.

See information below on "If your BISSELL product should require service".

This warranty applies to product used for personal, and not commercial or rental service. This warranty does not apply to fans or routine maintenance components such as filters, belts, or brushes. Damage or malfunction caused by negligence, abuse, neglect, unauthorized repair, or any other use not in accordance with the User's Guide is not covered.

If your BISSELL product should require service:

Contact BISSELL Consumer Services to locate a BISSELL Authorized Service Center in your area.

If you need information about repairs or replacement parts, or if you have questions about your warranty, contact BISSELL Consumer Services.

Website or E-mail:

www.bissell.com

Or Call:

BISSELL Consumer Services

1-800-237-7691

Monday - Friday 8 a.m. - 10 p.m. ET

Saturday 9 a.m. - 8 p.m. ET

Or Write:

BISSELL Homecare, Inc.

PO Box 3606

Grand Rapids, MI 49501

ATTN: Consumer Services

BISSELL HOMECARE, INC. IS NOT LIABLE FOR INCIDENTAL OR CONSEQUENTIAL DAMAGES OF ANY NATURE ASSOCIATED WITH THE USE OF THIS PRODUCT. BISSELL'S LIABILITY WILL NOT EXCEED THE PURCHASE PRICE OF THE PRODUCT.

Some states do not allow the exclusion or limitation of incidental or consequential damages, so the above limitation or exclusion may not apply to you.

*EXCEPTIONS AND EXCLUSIONS FROM THE TERMS OF THE LIMITED WARRANTY

THIS WARRANTY IS EXCLUSIVE AND IN LIEU OF ANY OTHER WARRANTIES EITHER ORAL OR WRITTEN. ANY IMPLIED WARRANTIES WHICH MAY ARISE BY OPERATION OF LAW, INCLUDING THE IMPLIED WARRANTIES OF MERCHANTABILITY AND FITNESS FOR A PARTICULAR PURPOSE, ARE LIMITED TO THE ONE YEAR DURATION FROM THE DATE OF PURCHASE AS DESCRIBED ABOVE.

Some states do not allow limitations on how long an implied warranty last so the above limitation may not apply to you.

NOTE: Please keep your original sales receipt. It provides proof of date of purchase in the event of a warranty claim.



©2010 BISSELL Homecare, Inc.
Grand Rapids, Michigan
All rights reserved. Printed in China
Part Number 150-4011
Rev 8/10
Visit our website at:
www.bissell.com