



IP3 1356 Portable RFID Reader



Revision	Date	By	Comment
A	17 Jan 2005	G A Price	Original Issue

Packing List

Check to ensure that you receive these items:

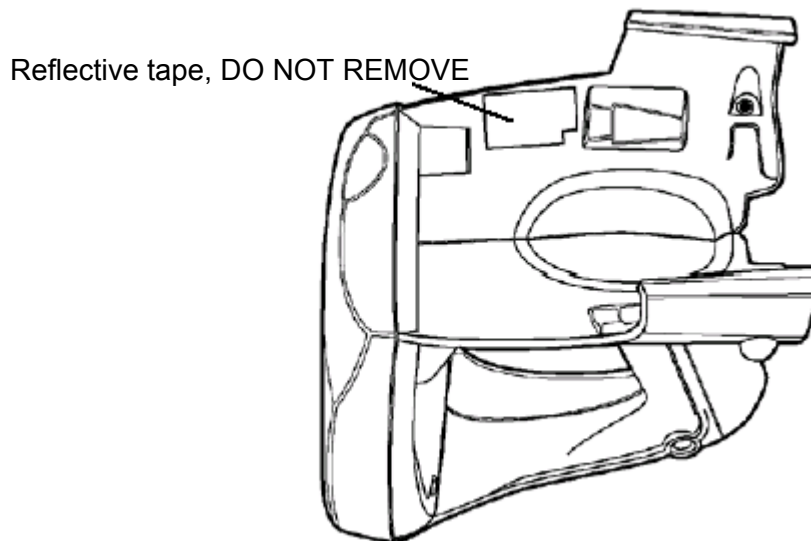
- Blackroc IP3 1356 Portable Reader (9005-0001)
- Battery Pack (318-014-001)
- IR Reflector For Colour 700 (075115-001)

Setting up your 700 colour mobile computer

Install you Pocket PC application in accordance with the application instructions.

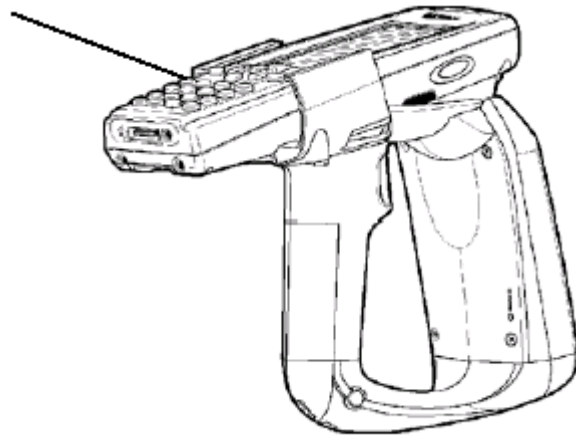
Connecting the portable reader to the 700 series colour mobile computer

Note: DO NOT remove the reflective tape from the inside of the portable reader. This reflective tape aids in the communication of the IrDA signal between the portable reader and your mobile computer.

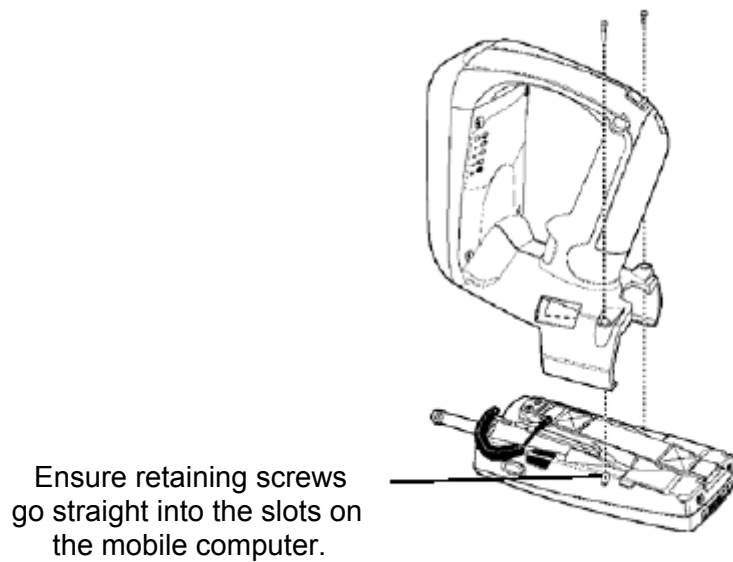


1. Slide your mobile computer into your portable reader.
2. Ensure it slides in all the way. Your mobile computer communicates with the reader via the IrDA. Therefore, the IrDA signal passing from the portable reader must have a good IrDA acceptance on the side of the mobile computer. You will hear a click when you have the mobile computer completely inserted into the portable reader.

Mobile Computer fully engaged into Portable Reader

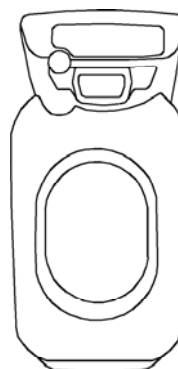


3. Attach two retaining screws. Ensure that they go straight into the mobile computer openings.



Ensure retaining screws go straight into the slots on the mobile computer.

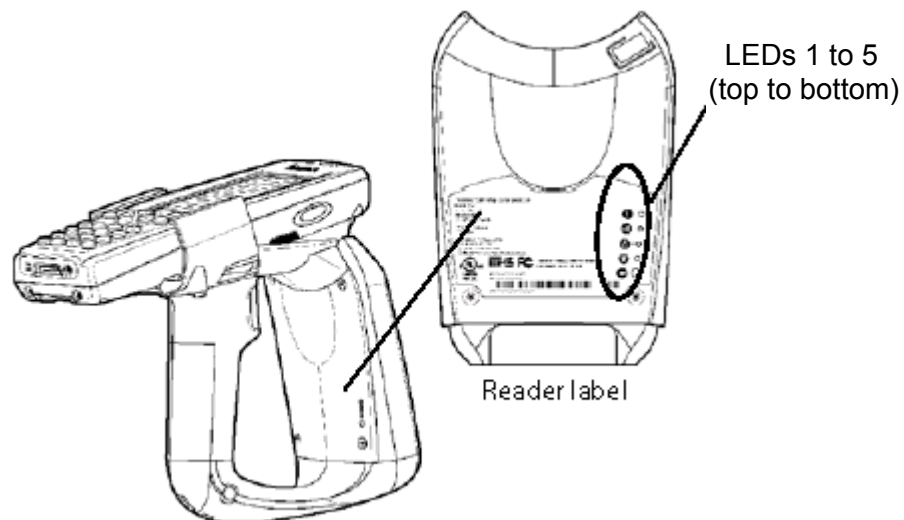
4. Ensure that the colour 700 and the mobile reader are vertically aligned, so that an imaginary vertical line would run through the centre of both units.



Removing the 700 colour mobile computer from portable reader

5. Remove the two retaining screws.
6. Grasp the 700 colour mobile computer at the display end, and simultaneously lift up (away from the reader), then pull forward.

Portable reader LED location and explanation

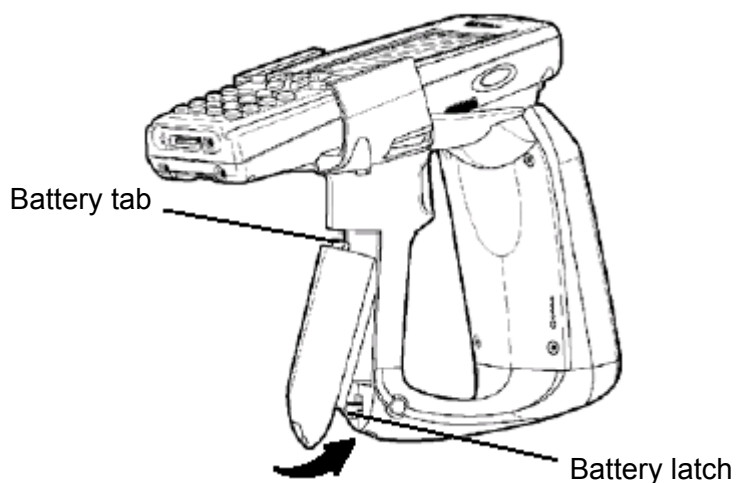


LED	Name	Description
1	1	Application controllable LED 1
2	2	Application controllable LED 2
3	IR TX	Reader is transmitting Infrared data
4	IR RX	Reader is receiving Infrared data
5	Battery	Indicates remaining battery capacity; Green, more than 80% Orange, between 80 and 20% Red, less than 20%

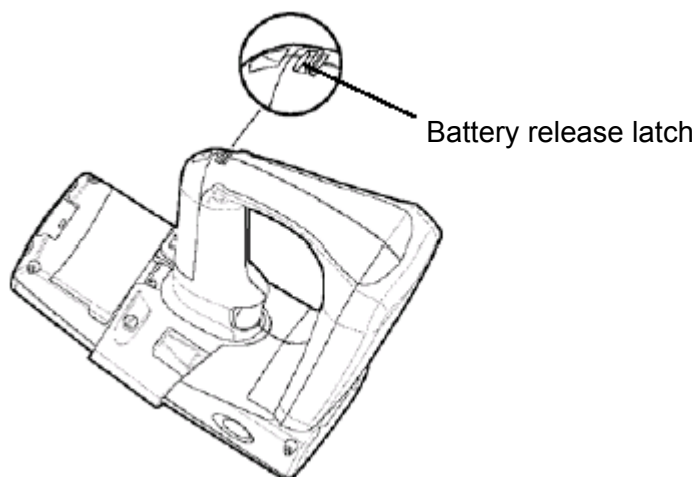
Battery installation and removal

To charge the battery contained in your portable reader, it is necessary to remove the battery from the handle and place it in the IP3U Dual Battery Pack Charger. This charging unit charges the battery in four hours.

1. To install the battery into the portable reader, insert the battery (tilt to fit into notch) into the compartment opening and press in until the latch on the bottom of the battery snaps closed. The battery tab on the top of the battery pack fits into the notch in the compartment.



2. To **remove** the battery pack, push the battery release latch forward and remove the battery pack from the handle.



Using the portable reader

1. Charge battery for at least four hours before using for the first time.
2. Inset the battery into the reader.
3. After 5 seconds the battery indicator will settle and show the battery condition
4. Use the reader in accordance with the software application.

Specifications

Frequency	13.56MHz.
Output power	250mW.
Communication Interface	Infrared to Colour 700 series of mobile computers.
Antenna	Internal loop.
Read range	Dependant on tag size, environment and orientation but up to 150mm to an ISO card size tag.
Power	Removable Lithium-Ion battery pack
Tags supported	ISO 15693, Texas Tag-it, Philips I-Code and Tagsys tags