



P25M Bluetooth Printer Quick Installation Guide

FCC compliance statement

“This device complies with part 15 of the FCC Rules. Operation is subject to the following two conditions: (1) This device may not cause harmful interference, and (2) this device must accept any interference received, including interference that may cause undesired operation.”

Industry Canada Standard

"This Class (B) digital apparatus complies with Canadian ICES-003."

Cet appareil numérique de la classe (B) est conforme à la norme NMB-003 du Canada.

Changes or modifications not expressly approved by the party responsible for compliance could void the user`s authority to operate the equipment.

SAR INFORMATION

FCC ID:UWJP25M which this declaration relates is in conformity with the article C95.1-1999 of essential requirements and other relevant requirements of the ANSI The product is desktop based and the radio part is about 20cm far away from human body in common using. Simulation of MPE (Maximum permissible exposure) for the product indicates that the product is compliant with the following standards and/or other normative documents:

SAR (art C95.1-1999): ANSI

It is a registered trademark of BLUEBAMBOO

All other trademark is the properties of their respective companies.

Certification:

The production has approved by FCC ID: UWJP25M

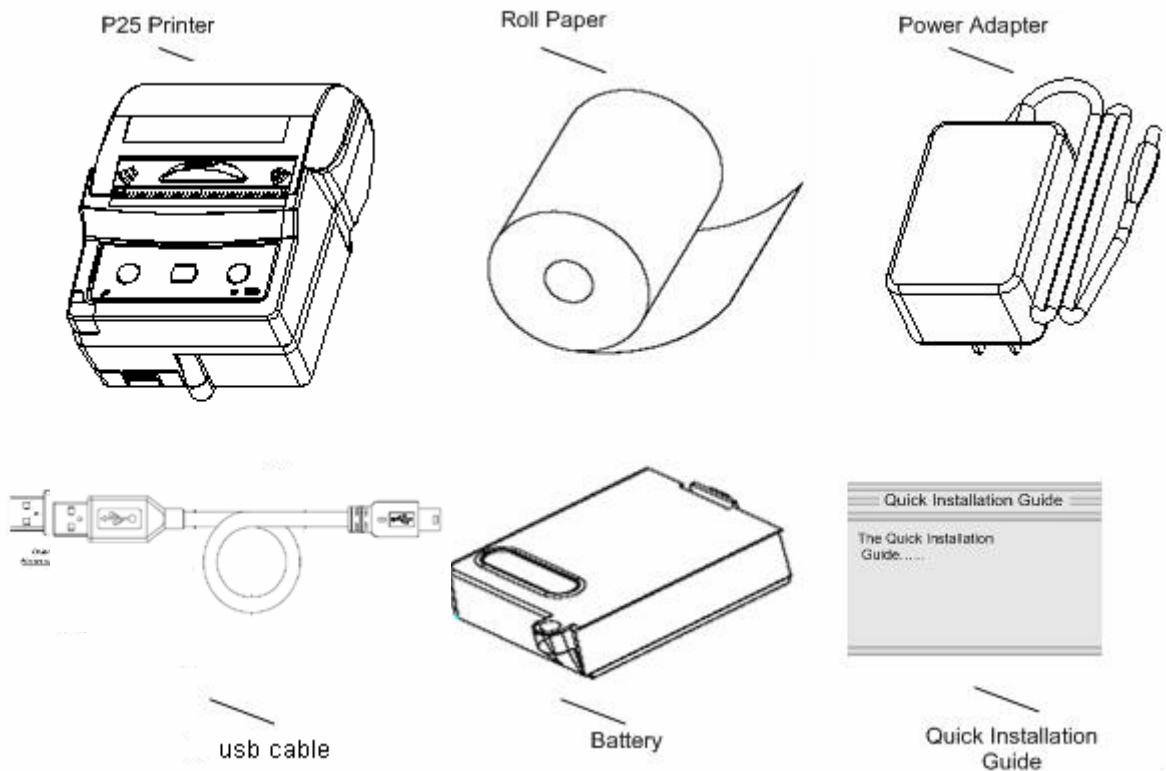
Li-ion Battery has approved by UN.DOT and CE certification.

Power charge has approved by CCC, TUV GS, cULus, CE and FCC certification

1 Unpacking P25 Printer

When opening the original shipping carton, carefully inspect the contents. It should include the following items listed below. If any items are damaged or missing, please contact your dealer.

Figure 1: Unpacking P25 Printer



2 Installation

2.1 Hardware features

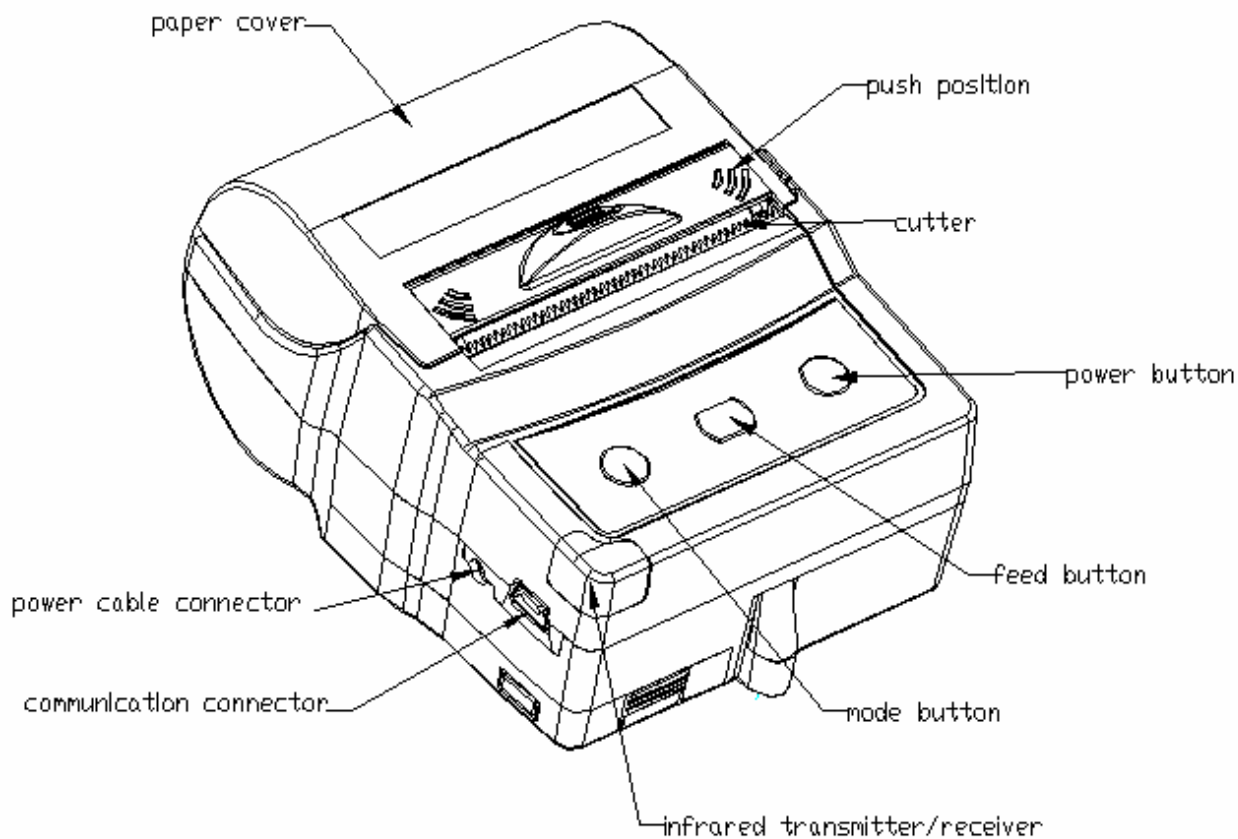


Figure 2: Hardware features

2.2 Inserting the paper roll

To install the paper roll in the printer, follow these steps:

1. Open the paper cover by applying your finger pressure to both sides of the printer cover, squeeze to release the lock.
2. Rotate the paper cover up and back. Note that the cover is fixed. It is not necessary to remove it from the printer.

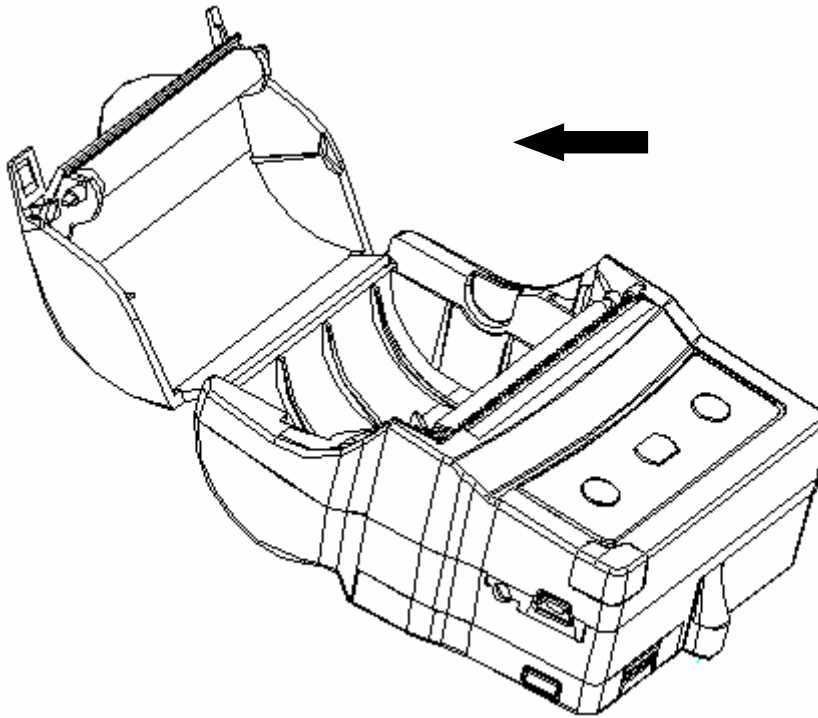


Figure 3: Open the paper cover

3. Remove the paper roll and insert to a new roll, paper feeds from the bottom and allowing the free paper to extend outside the printer door.
4. Insert the paper roll in the printer as the picture shows:

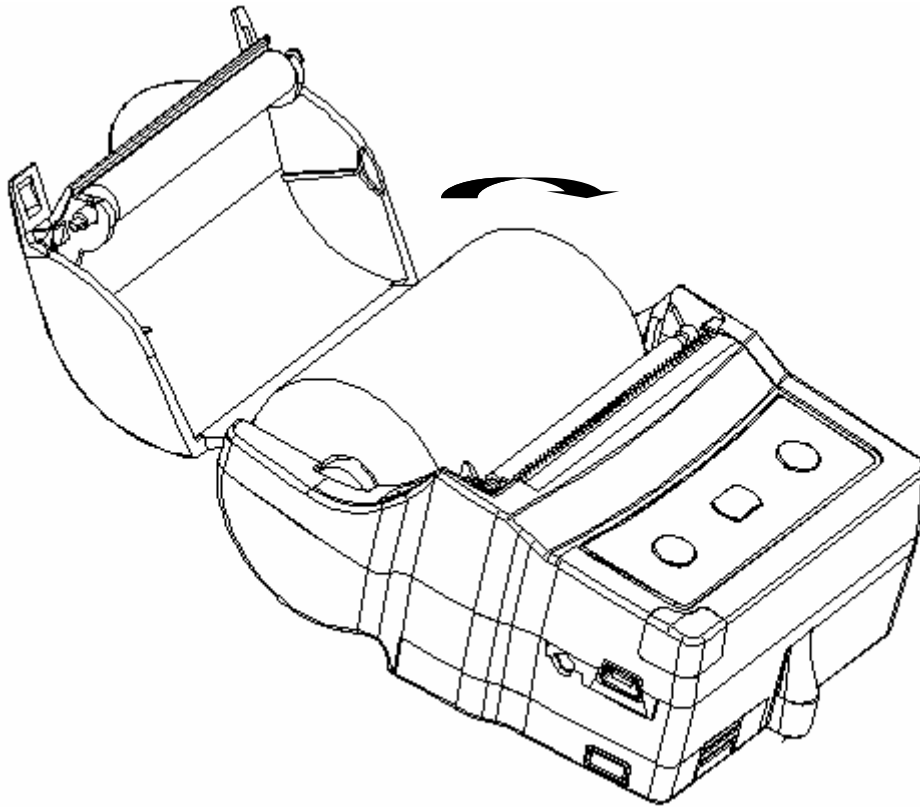


Figure 4: Install paper roll

5. Press the cover down until it snaps in place. Allow a small amount of paper to extend outside the cover.

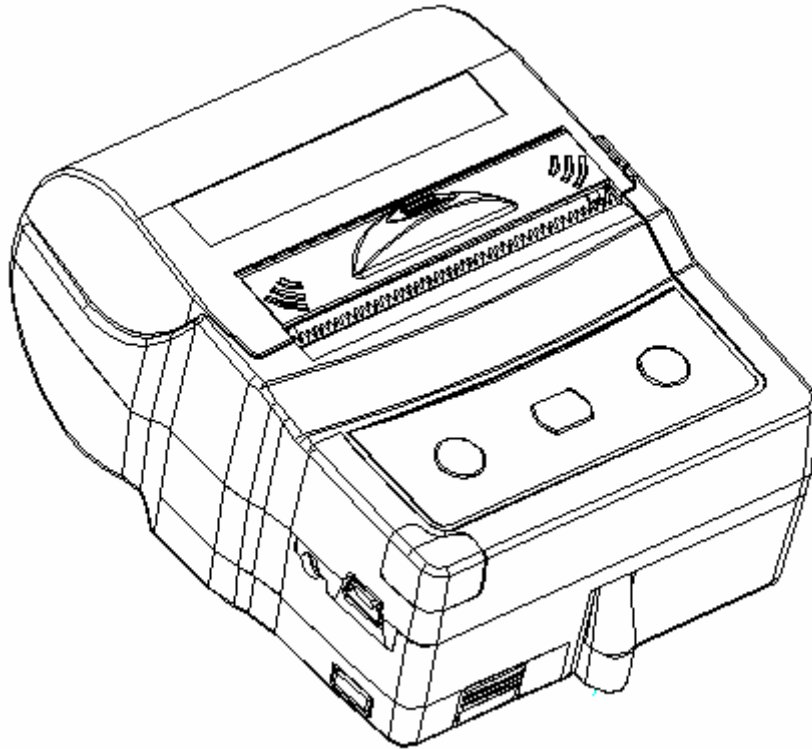


Figure 5: Pull out a small amount of paper

2.3 Battery supply

2.3.1 Installing/ Removing the battery pack

Installing:

The battery pack is located at the bottom of the printer. To install it please follow these steps:

1. Remove the isolation film on battery if the battery is a new one.
2. Place the battery pack as shown:

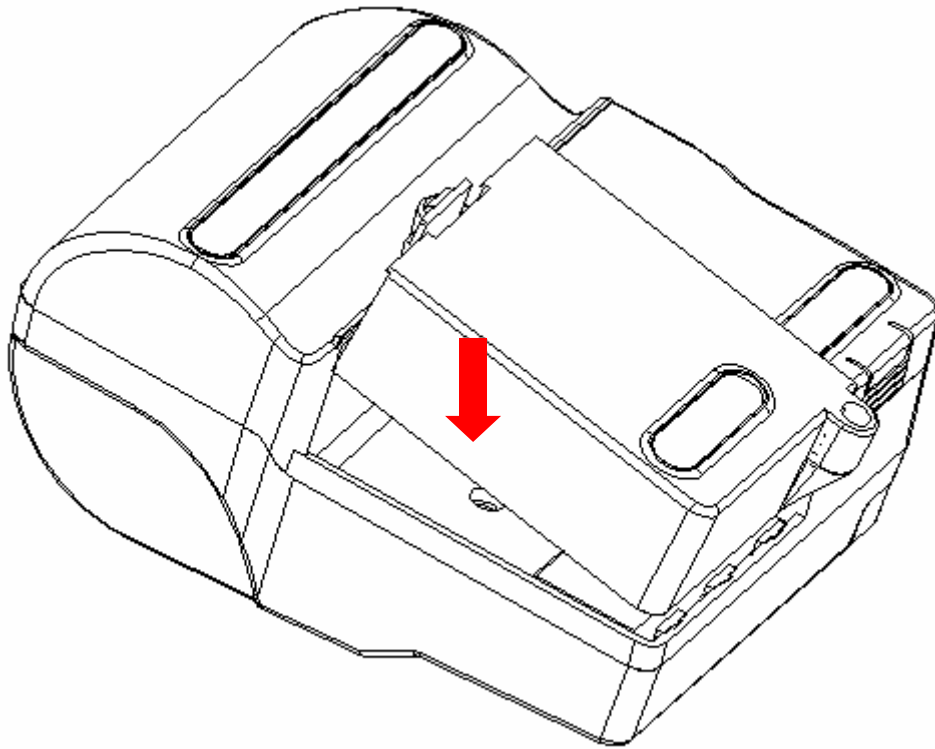


Figure 6: Arrow to show the direction

3. Insert the battery pack, and press until it clicks into place.

Removal:

1. Release the battery pack by pressing the lock tab.

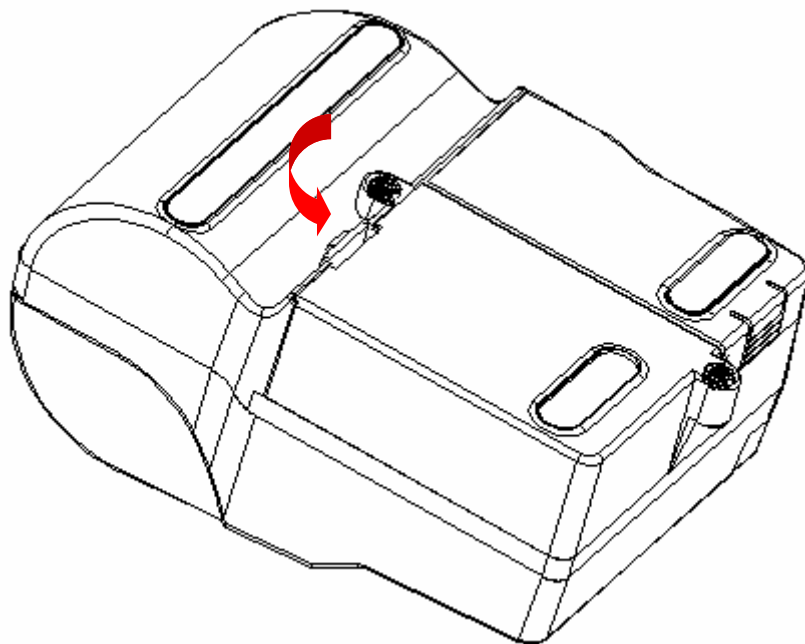


Figure 7: Remove battery

2. Remove the battery pack.

2.3.2 Battery and charge

1. Insert the DC plug of power adaptor into the power jack of printer;
2. Insert the AC plug of power adaptor into AC power supply;
3. Start battery charge, and red LED light continuously;
4. Finish charging, the red LED turn off.

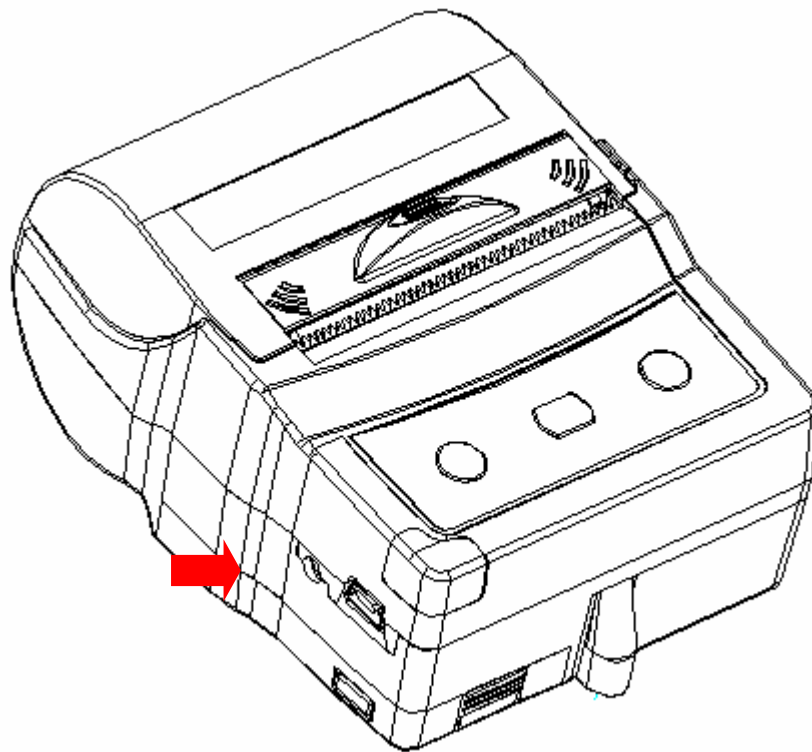


Figure 8: Battery recharge



Warning:

Notice:

1. If the red LED turns on for a short time and then turn off quickly when starting the battery charge procedure, there are two probable reason: first is you have completed battery charging, no need to charge again, second is this battery doesn't work, please change it.
2. The red LED should turn on during charging and turn off after charging, please care for its status is right or not.

3 Using the printer

3.1 Control panel

Buttons

- The POWER button switches the power on/off. *In order to power off the power, you should press the POWER button for more than 1s.*
- The FEED button advances the paper roll. Paper is advanced continuously until the button is released.
- The Mode button prints the self-test sample paper when pressed together with feed button.
- The Feed button enter into boot loader mode when pressed together with power button

LED

There is a tricolor LED indicator only:blue, green, red

Blue	Constantly lit	Bluetooth module is available
	Flashing	data transaction via Bluetooth
Green	Constantly lit	Power on, normal status
	Flashing	data transaction via USB
Red	Constantly lit	Charging
	Flashing intermittently with Blue LED	An error has occurred
	Off	Charging finished

Error description	Remedy	Check Steps	flashing type
There is no more paper	Add paper	1	B,R,B,R....
The paper cover is open	Close the paper cover	2	
An transmission error occurred	Check the transmission status	3	B,R,R,B,R,R....
An overheat error occurred	Wait until the print head cools down	4	B,R,R,R,B,R,R,R....
Battery voltage is too low	Charge the battery	5	B,R,R,R,R,B,R,R,R,R....

Version History

Version	Author	Date	Description
1.0			Initial Version
1.1	Simon	2006-12-19	Modified 3.1, the part of LED