



Bluetooth® Stereo Transmitter

BT450Tx Quick Setup Guide

<i>Index</i>	Page
English	2

Trademarks

"Bluetake" name and logo are trademarks of Bluetake Technology Co., Ltd. "Bluetooth" word mark and logos are owned by the Bluetooth SIG, Inc. and any use of such marks by Bluetake Technology Co., Ltd. is under license. "Apple", "Mac", "Mac OS" and "iPod" word marks and logos are registered trademarks of Apple Computer, Inc.

Copyrights

© Copyright 2005 Bluetake Technology Co., Ltd. All Rights Reserved.



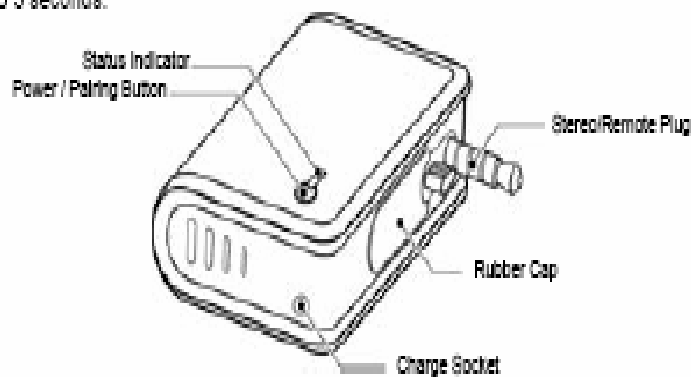
BLUETOOTH STEREO TRANSMITTER – QUICK SETUP GUIDE

[Turning On/Off]

< If this is the first time you use the Bluetooth stereo transmitter BT450Tx, please refer to the next lesson to FULLY charge the devices in advance. >

Turn On: Press and hold the Power/Pairing Button until the Status Indicator flashes Blue. The holding duration is approximate to 2 seconds.

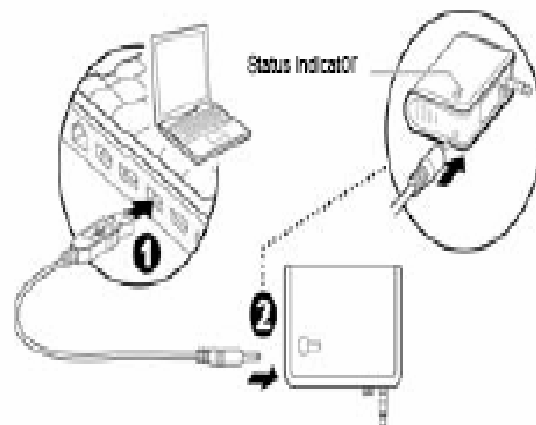
Turn Off: Press and hold the Power/Pairing Button until the Status Indicator flashes Red. The holding duration is approximate to 5 seconds.



[Charging]

Step-1: Please make sure the computer is on with power supply in advance, and then plug the USB Power Cable into the USB socket of computer.

Step-2: Plug the pipe-shaped terminal of the USB Power Cable into the charge socket of stereo transmitter directly.



BLUETOOTH STEREO TRANSMITTER – QUICK SETUP GUIDE



Notice:

- DO NOT use the USB Power Cable with your electronic appliances except the Bluetooth stereo transmitter.
- Please charge the stereo transmitter singly because the computer's USB power output current is weak to charge both the devices simultaneously.
- The actual USB power charging time may vary due to the different computers due to the USB output current of every computer may be different.

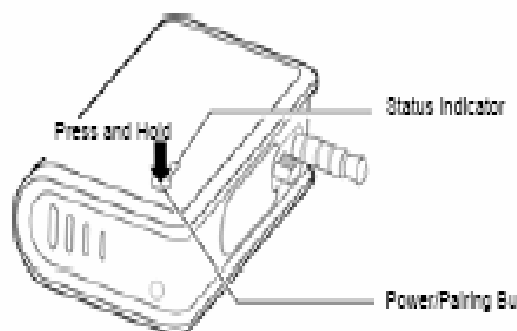
Function	Status Indicator
Turn on / Active	Blinking Blue
Pairing Mode	Red / Blue alternately
Low Battery	Blinking Red
Charging Mode	Constant Red
Fully Charged	Constant Blue

[Pairing]

Step-1: Turn off both the I-PHONO mini headphone and stereo transmitter in advance, and then put the I-PHONO mini headphone in the pairing mode.

Step-2: Afterward, put the stereo transmitter in the pairing mode. Press and hold the stereo transmitter's Power/Pairing Button until its Status Indicator flashes Blue and Red alternately.

Step-3: Once the stereo transmitter is putting in the pairing mode, it will begin to search and pair with the headphone automatically. After the pairing is completed, both the devices' Status Indicators will flash Blue regularly.



Notice:

- Please go to <http://www.bluetake.com/products/BT450Rx.htm> to know more information about I-PHONO mini headphone.

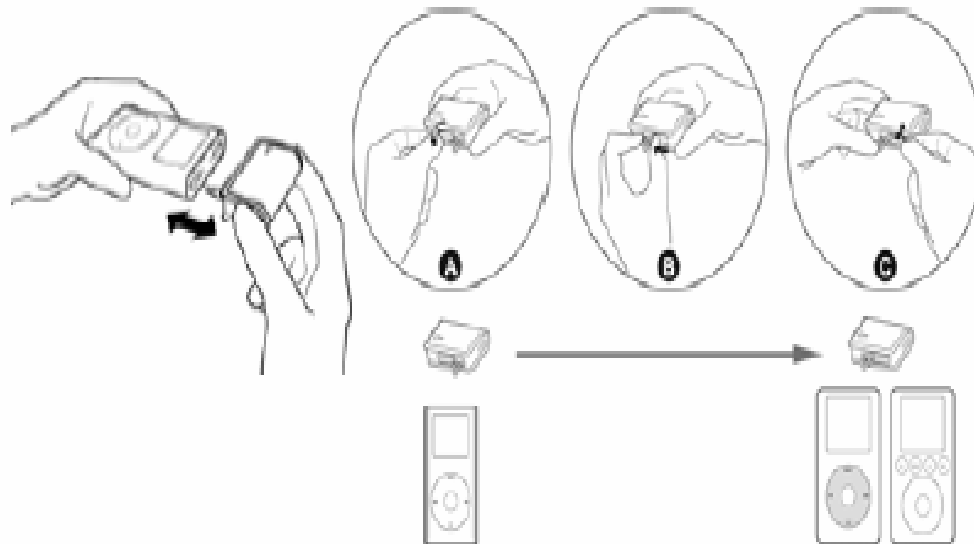
[Install Bluetooth Stereo Transmitter with I-Pod]

Step-1: Consult the following figure to adjust the Remote/Stereo Plug of I-PHONO mini stereo transmitter to the proper position for fitting your iPod.

Step-2: Consult the following figure to plug the Remote/Stereo Plug of I-PHONO mini stereo transmitter to the iPod remote and headphone ports.

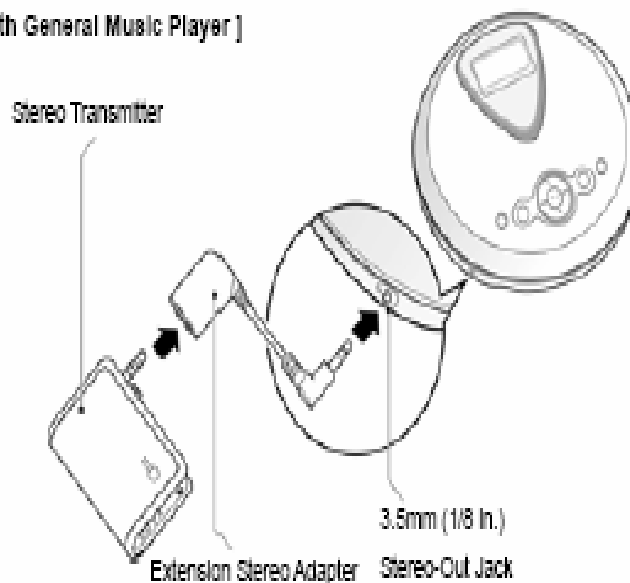


BLUETOOTH STEREO TRANSMITTER - QUICK SETUP GUIDE



[Using Bluetooth Stereo Transmitter with General Music Player]

You can enjoy the stereo music transmitted wirelessly from the music player which is installed the I-PHONO mini Bluetooth Stereo Transmitter (P/N: BT450Tx), the music player can be a CD Player, MP3 Player, Mini Hi-Fi system, Handheld Game Console, Portable Media Player, Non-Bluetooth supported computer, etc.



Step-1: Pair the I-PHONO mini headphone with the stereo transmitter in advance.

Step-2: Install the stereo transmitter to the music player. The installation is effortless and no driver or software is necessary. You only need to connect the stereo transmitter with its exclusive Extension Stereo Adapter, and then connect the Extension Stereo Adapter to the 3.5mm (1/8 in.) stereo out jack of the music player.

Step-3: Play Music.

Federal Communications Commission (FCC) Statement

15.21

You are cautioned that changes or modifications not expressly approved by the part responsible for compliance could void the user's authority to operate the equipment.

15.105(b)

This equipment has been tested and found to comply with the limits for a Class B digital device, pursuant to part 15 of the FCC rules. These limits are designed to provide reasonable protection against harmful interference in a residential installation. This equipment generates, uses and can radiate radio frequency energy and, if not installed and used in accordance with the instructions, may cause harmful interference to radio communications. However, there is no guarantee that interference will not occur in a particular installation. If this equipment does cause harmful interference to radio or television reception, which can be determined by turning the equipment off and on, the user is encouraged to try to correct the interference by one or more of the following measures:

- Reorient or relocate the receiving antenna.
- Increase the separation between the equipment and receiver.
- Connect the equipment into an outlet on a circuit different from that to which the receiver is connected.
- Consult the dealer or an experienced radio/TV technician for help.

Operation is subject to the following two conditions:

- 1) this device may not cause interference and
- 2) this device must accept any interference, including interference that may cause undesired operation of the device.

FCC RF Radiation Exposure Statement:

This equipment complies with FCC radiation exposure limits set forth for an uncontrolled environment. End users must follow the specific operating instructions for satisfying RF exposure compliance. This transmitter must not be co-located or operating in conjunction with any other antenna or transmitter.