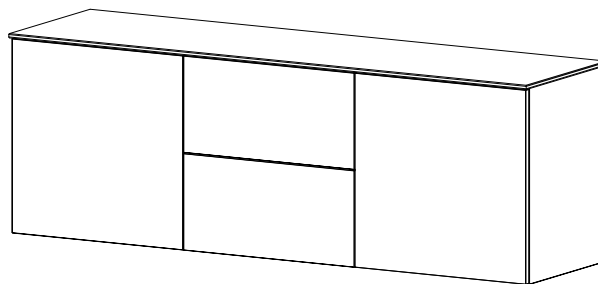


Occa

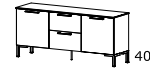
Design by BoConcept

Samvejledning - Assembly Instructions - Montageanleitung - Instructions d'assemblage - Instrucciones de montaje



2950

52,5x154,1x41,7 / max. 60 kg



Korpus - Korpus - Carcase - Carcasse

| | | |
|---|--|--|
| col.1 | col.2 | col.3 |
| <p>002630 1</p> <p>002622 2</p> <p>002623 3</p> <p>000195 6</p> <p>002628 4 x2</p> | <p>002626 7</p> <p>002624 5 x3</p> | <p>001847 12 x2</p> <p>002631 13 x2</p> <p>001850 8 x2</p> <p>001848 9 x2</p> <p>001849 10 x2</p> <p>002632 11 x2</p> <p>1925505008 14 x2</p> |

Beslag - Fittings - Beschläge - Set de Montage

| | | | | | | |
|--------------------------|-------------------------------------|--------------------------------------|-------------------------------------|---------------------------------|------------------------------------|--|
| col.1 | | | | | | |
| A X 22 1972000014 | B X 11 1972000009 | C X 22 1979110830 | D X 11 1972000034 3x7,5mm | E X 12 970000808 M4 | F X 12 970001261 M4x27mm | G X 12 970000711 white 970000712 black 970000599 valnut |
| col.3 | | | | | | |
| B X 8 1972000009 | H X 8 1978054240 4,2x45mm | J X 8 970001056 | K X 4 1972020105 | L X 2 970000615 | M X 2 970000614 | N X 8 1978204210 4,2x9,5mm |
| P X 4 970001146 | Q X 4 970001004 | R X 8 970001027 13,5x4,2mm | S X 2 970001016 left | T X 2 970001017 right | U X 8 1973010100 | V X 2 1979000000 |

Værktøj - Werkzeuge - Tools - Outils

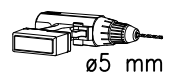
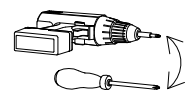


FIG. 1

A X 22 C X 18

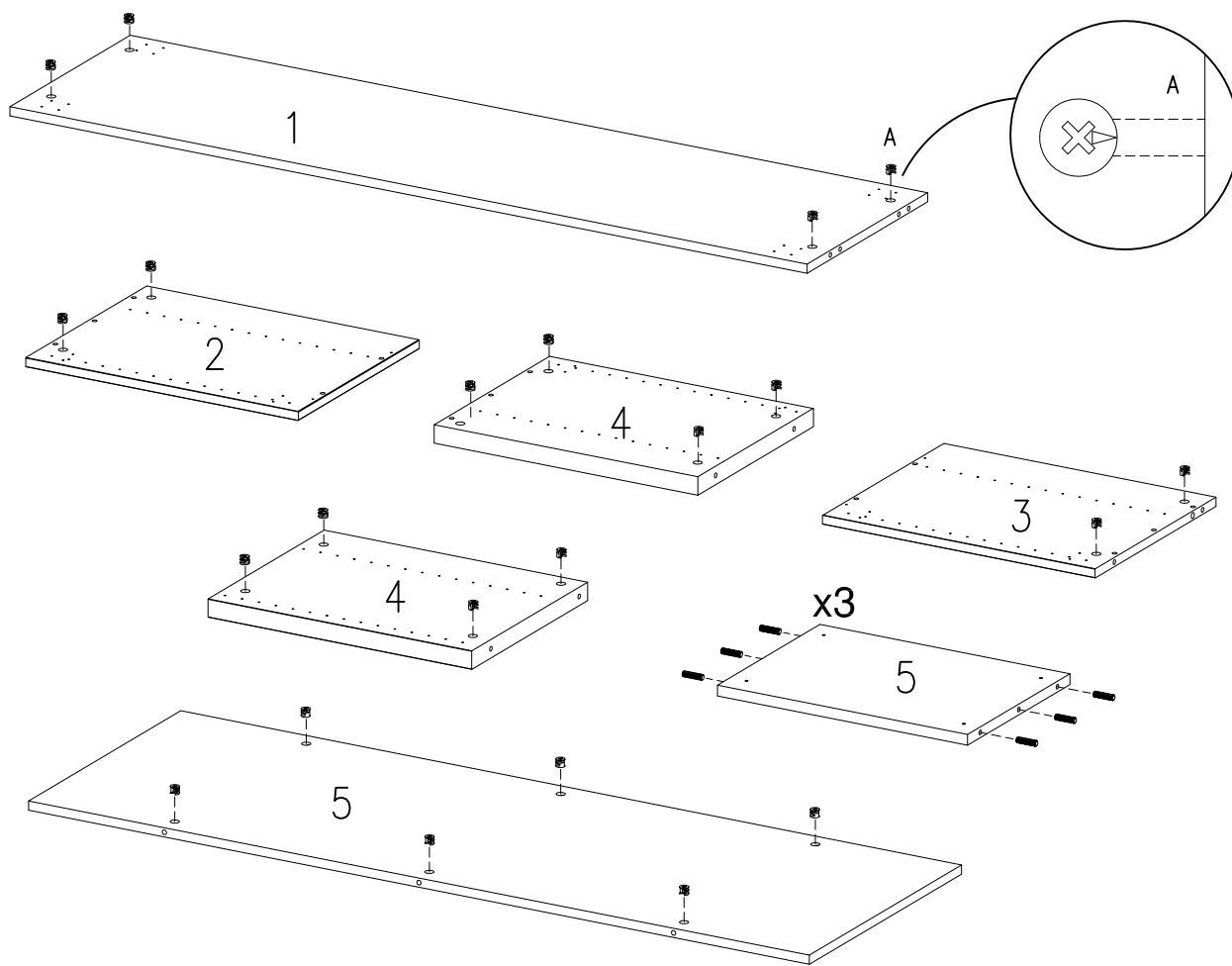
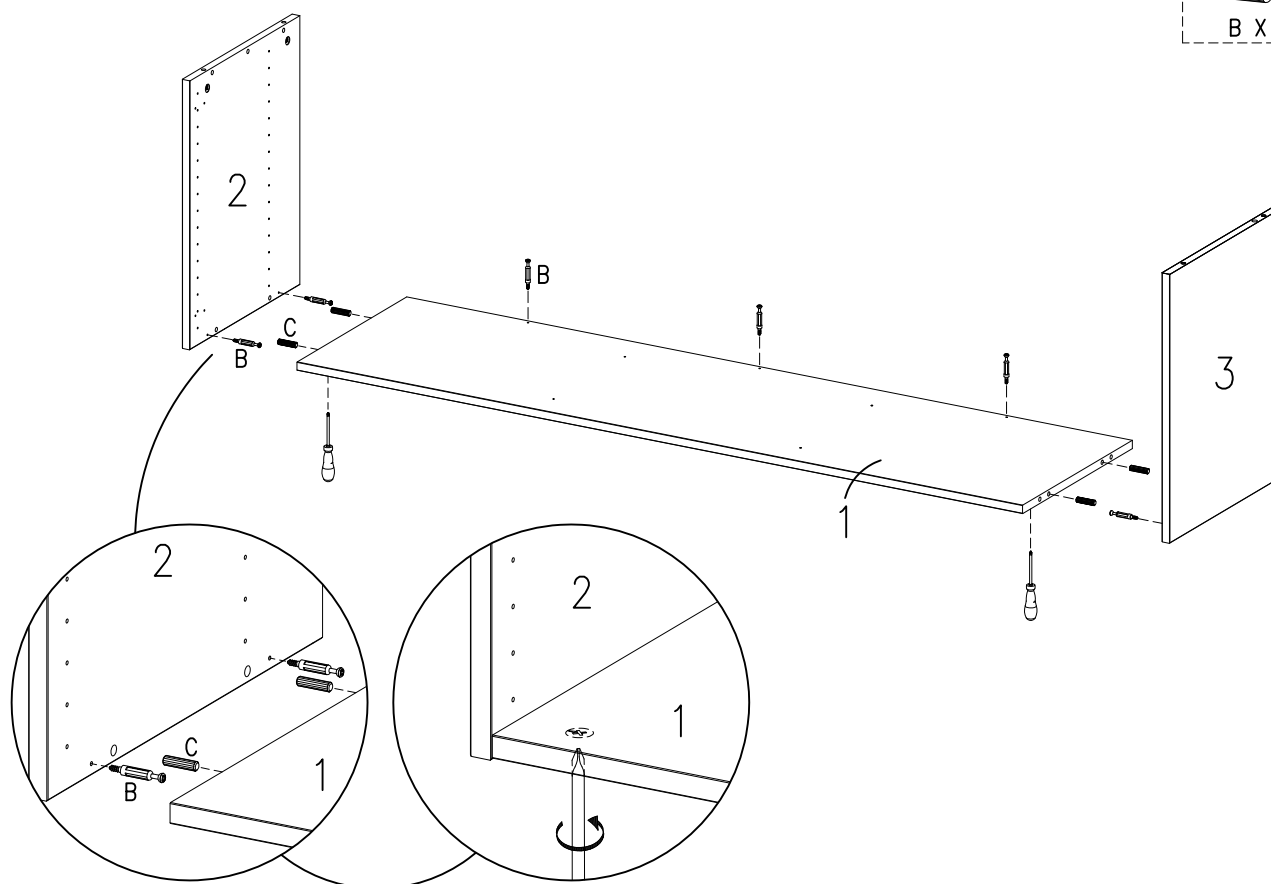


FIG. 2

B X 7 C X 4



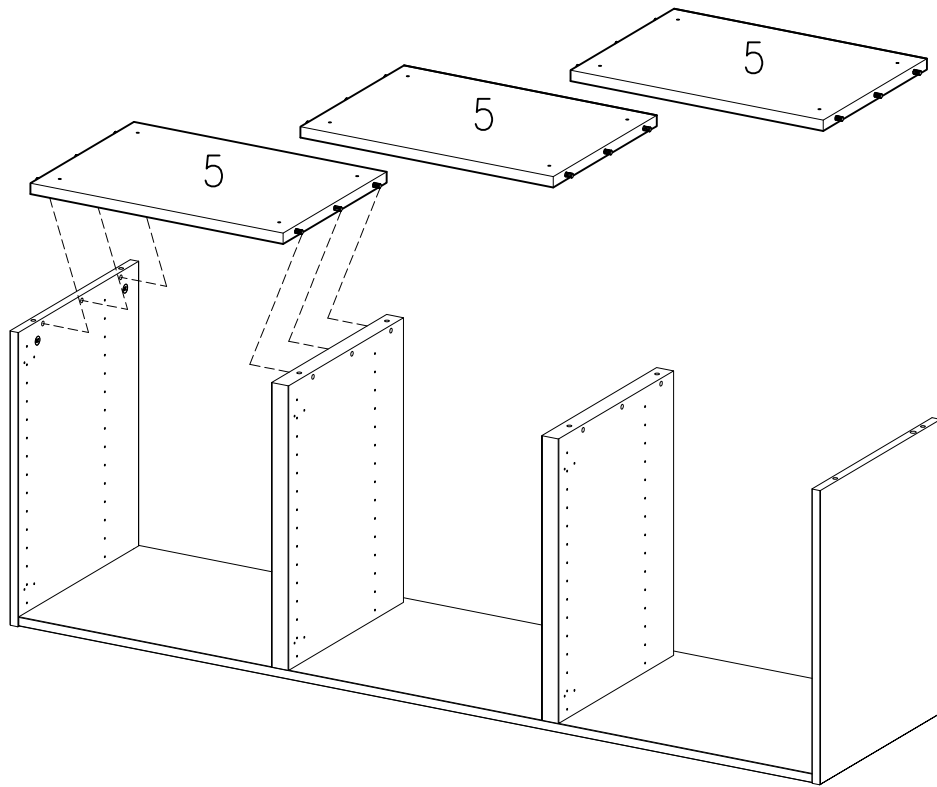
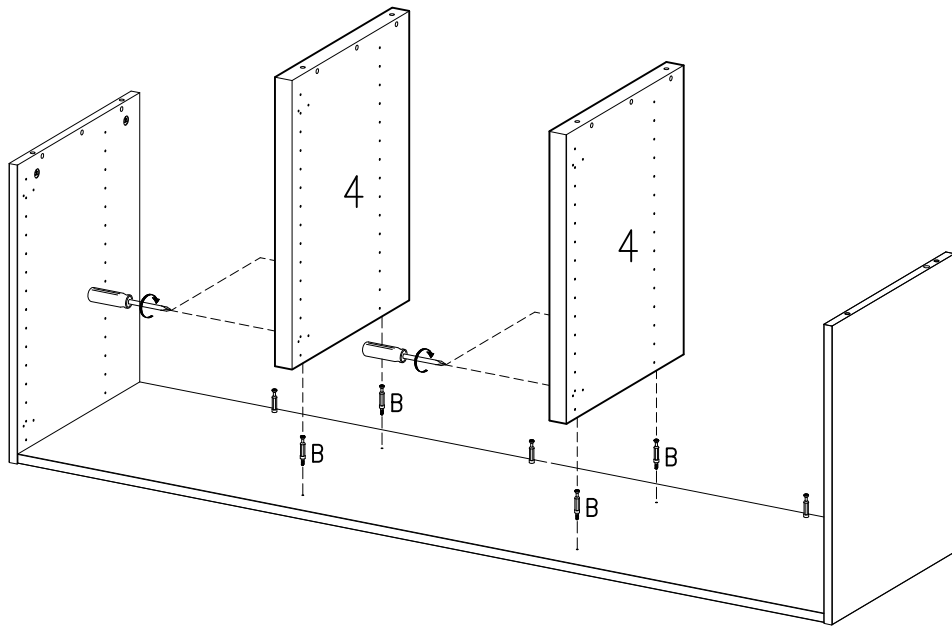


FIG. 5

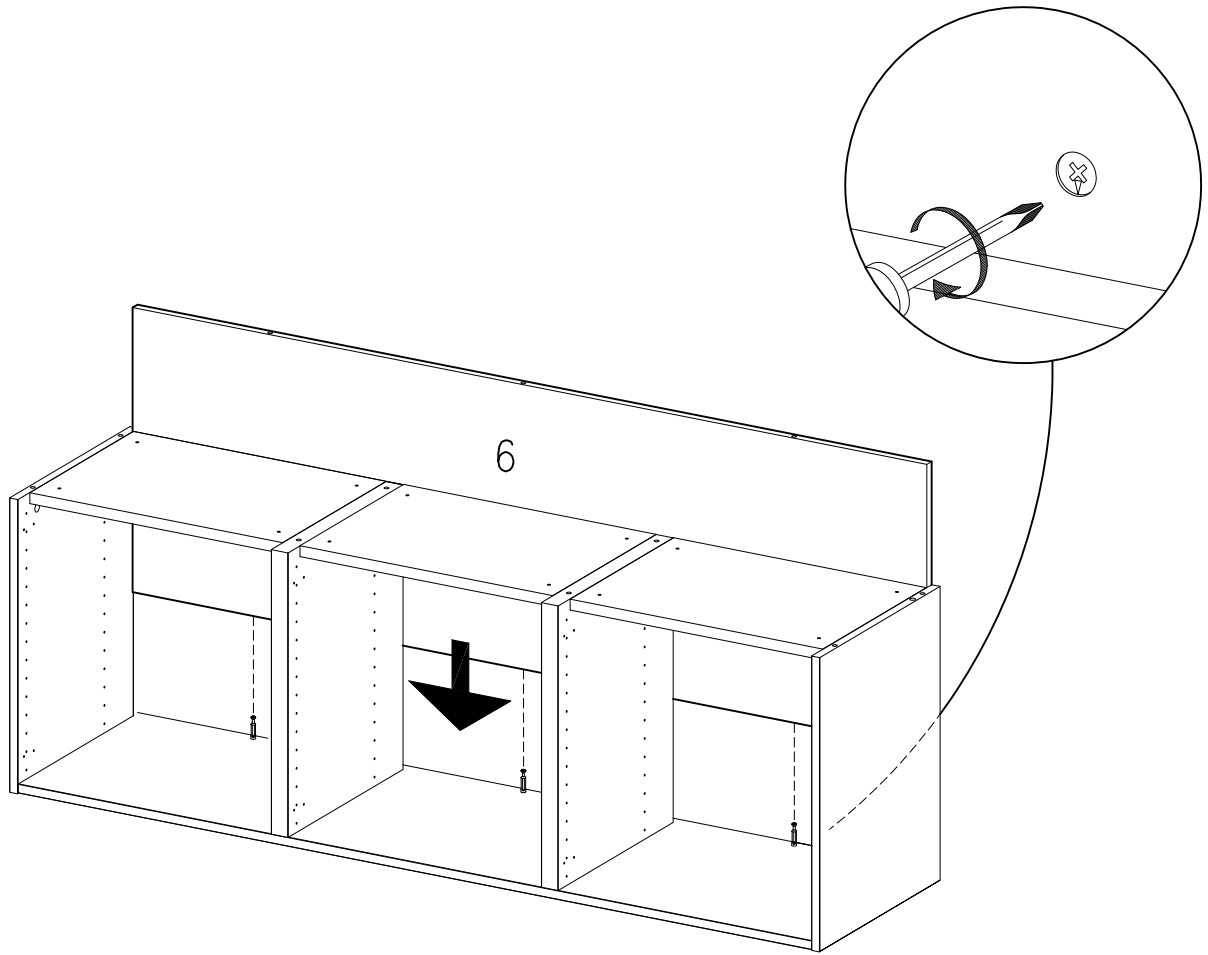


FIG. 6

D X 11
3x7,5mm

E X 12
M4

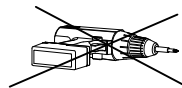
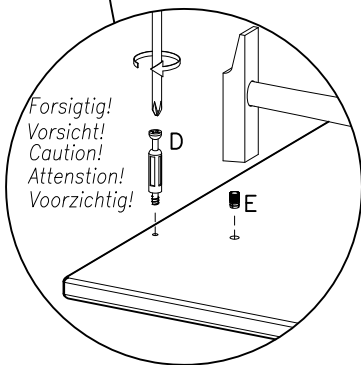
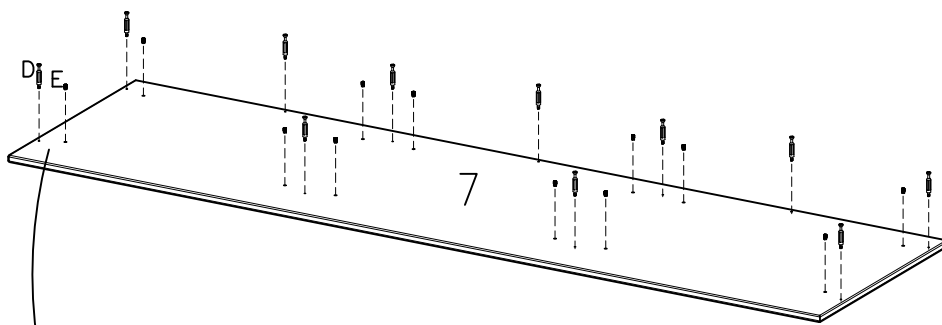


FIG. 7

F X 12
M4x27mm

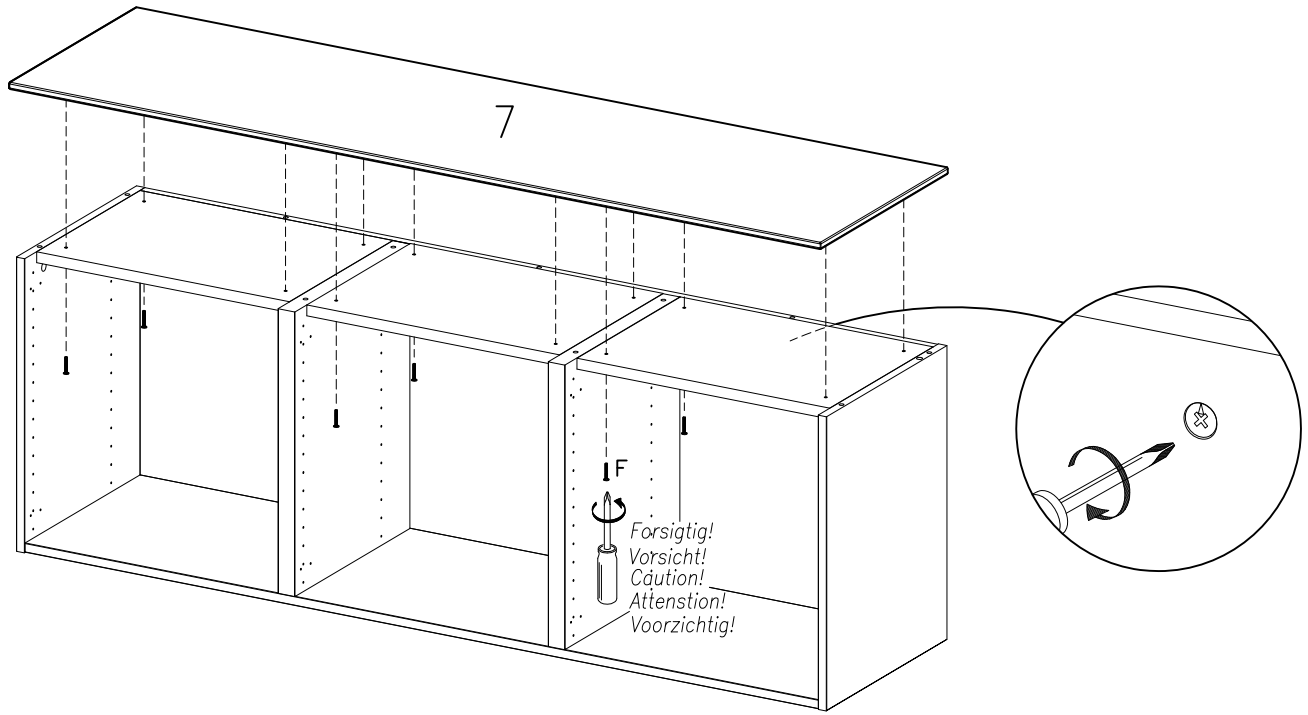
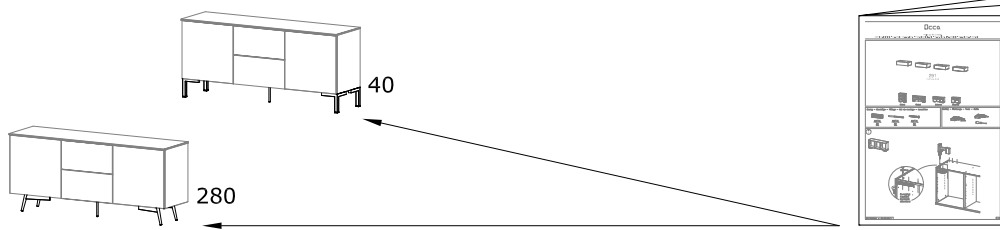


FIG. 8



Samvejledning - Assembly Instructions - Montageanleitung - Instructions d'assemblage - Instrucciones de montaje

FIG. 9

G X 12

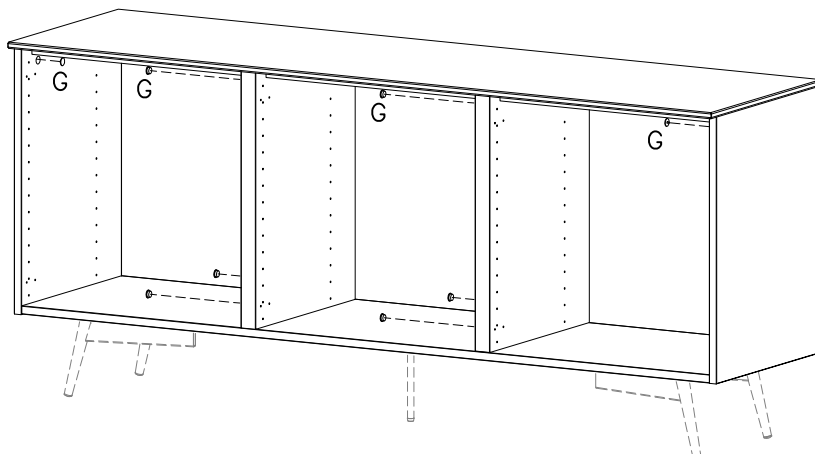


FIG. 10

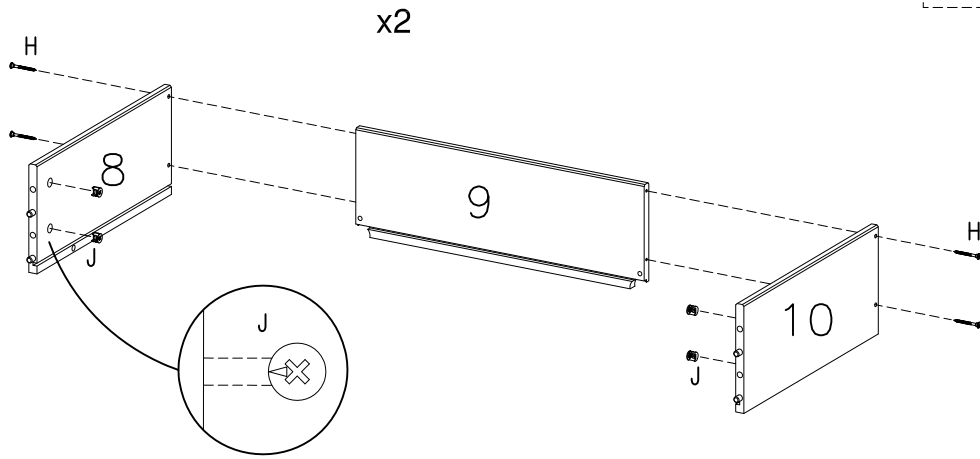
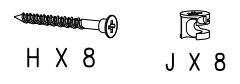
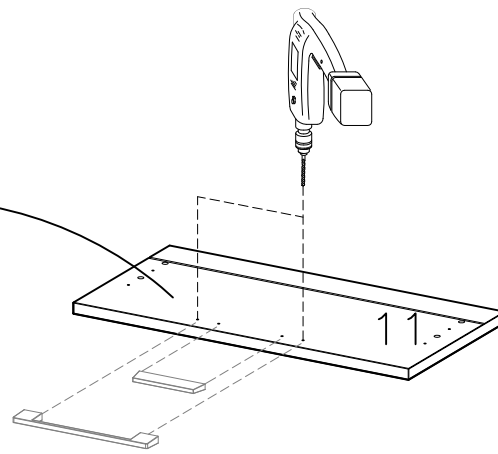
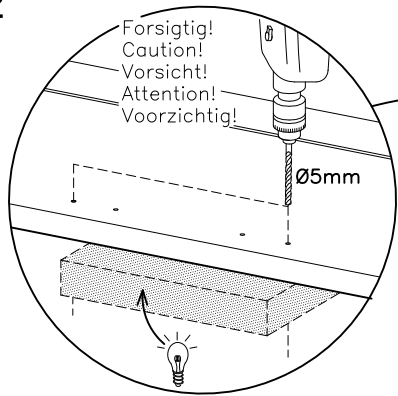


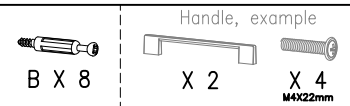
FIG. 11

x2



Attention

FIG. 12



x2

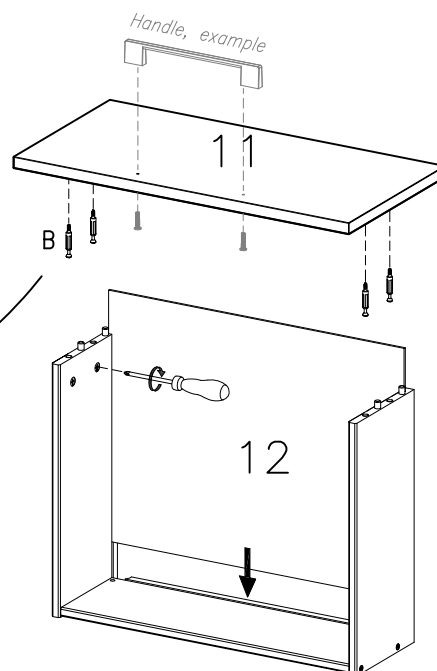
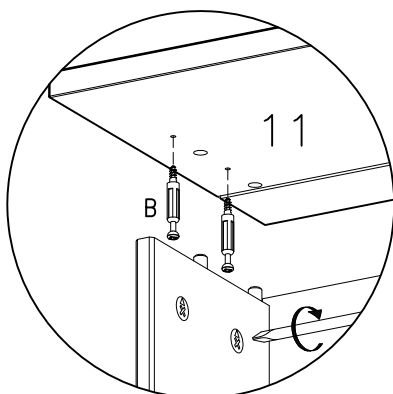


FIG. 13

Attention!

K X 4

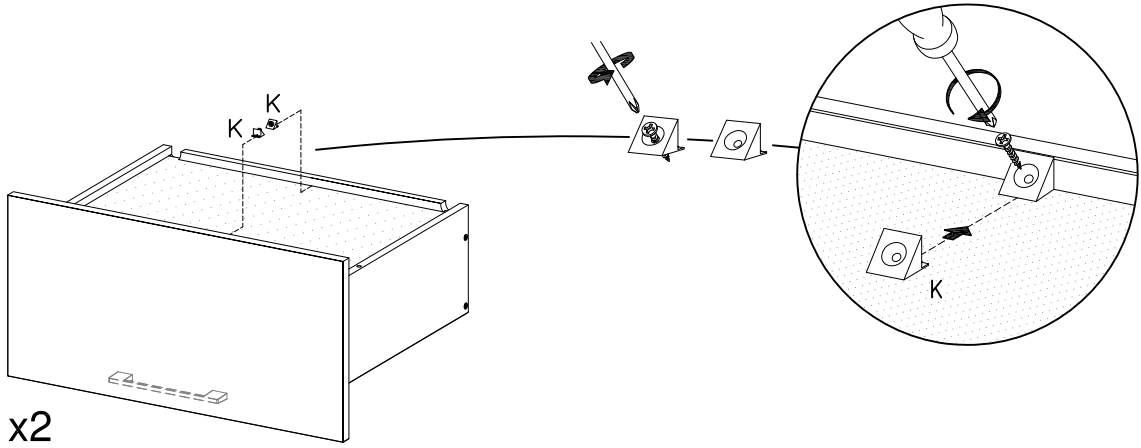
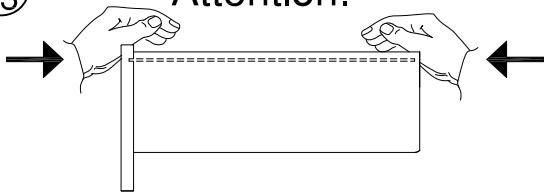


FIG. 14

Attention!

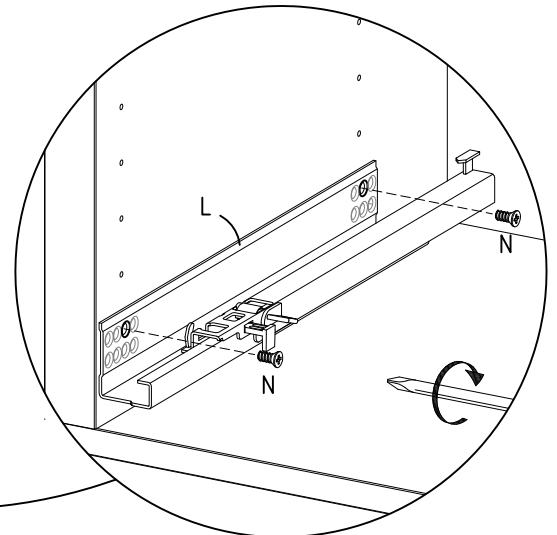
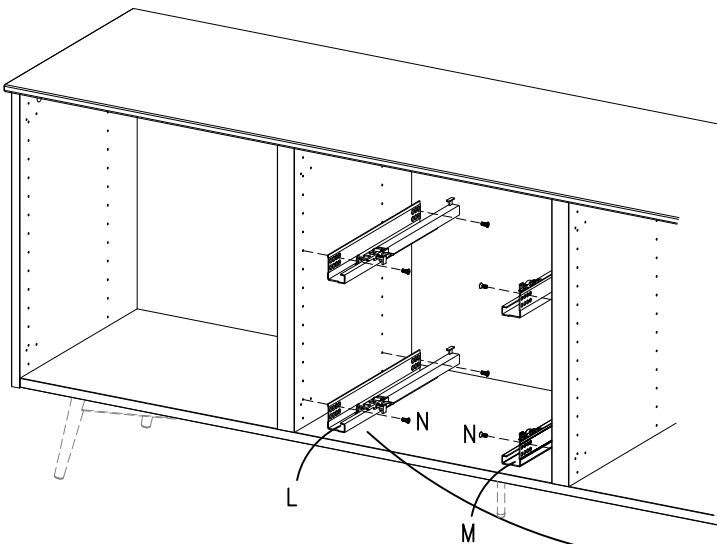
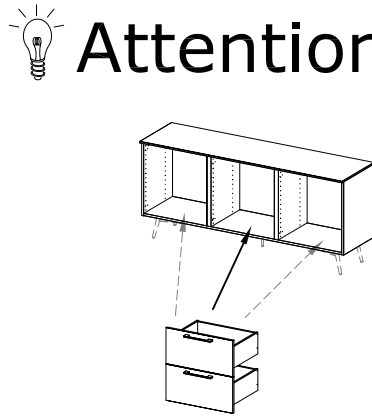


FIG. 15

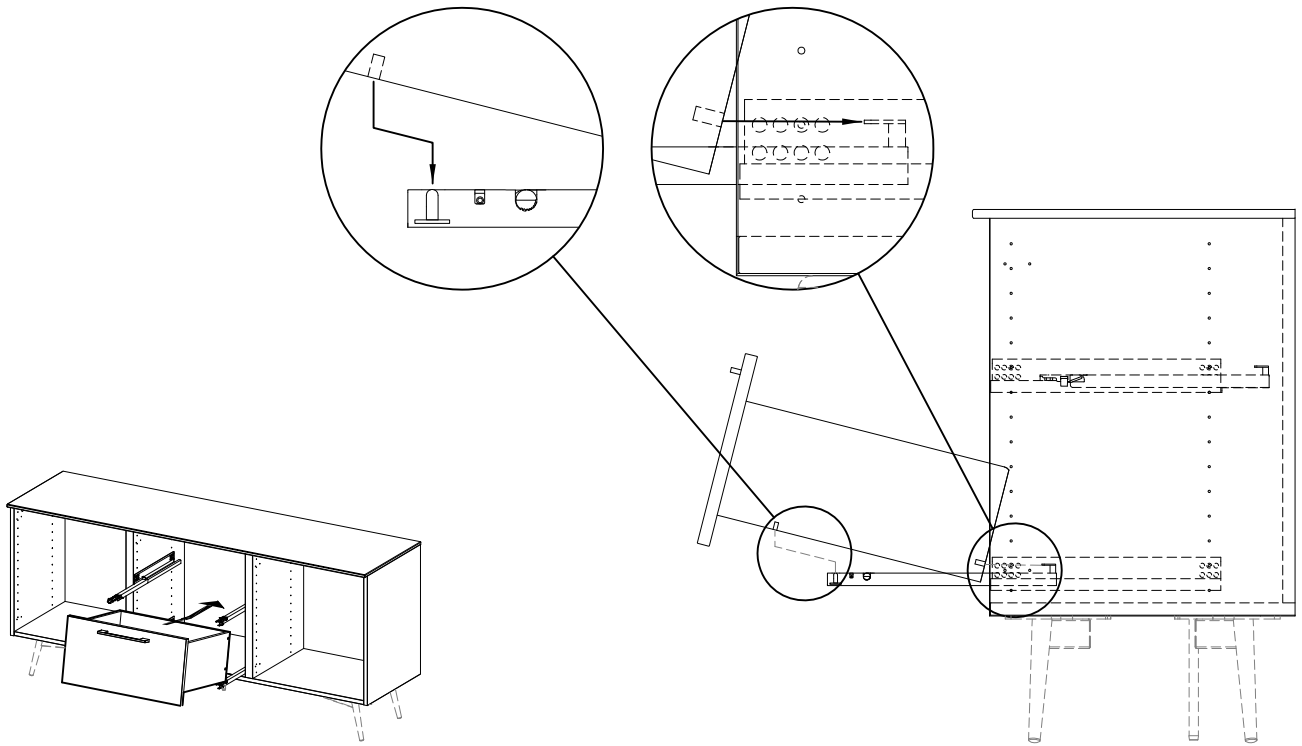


FIG. 16

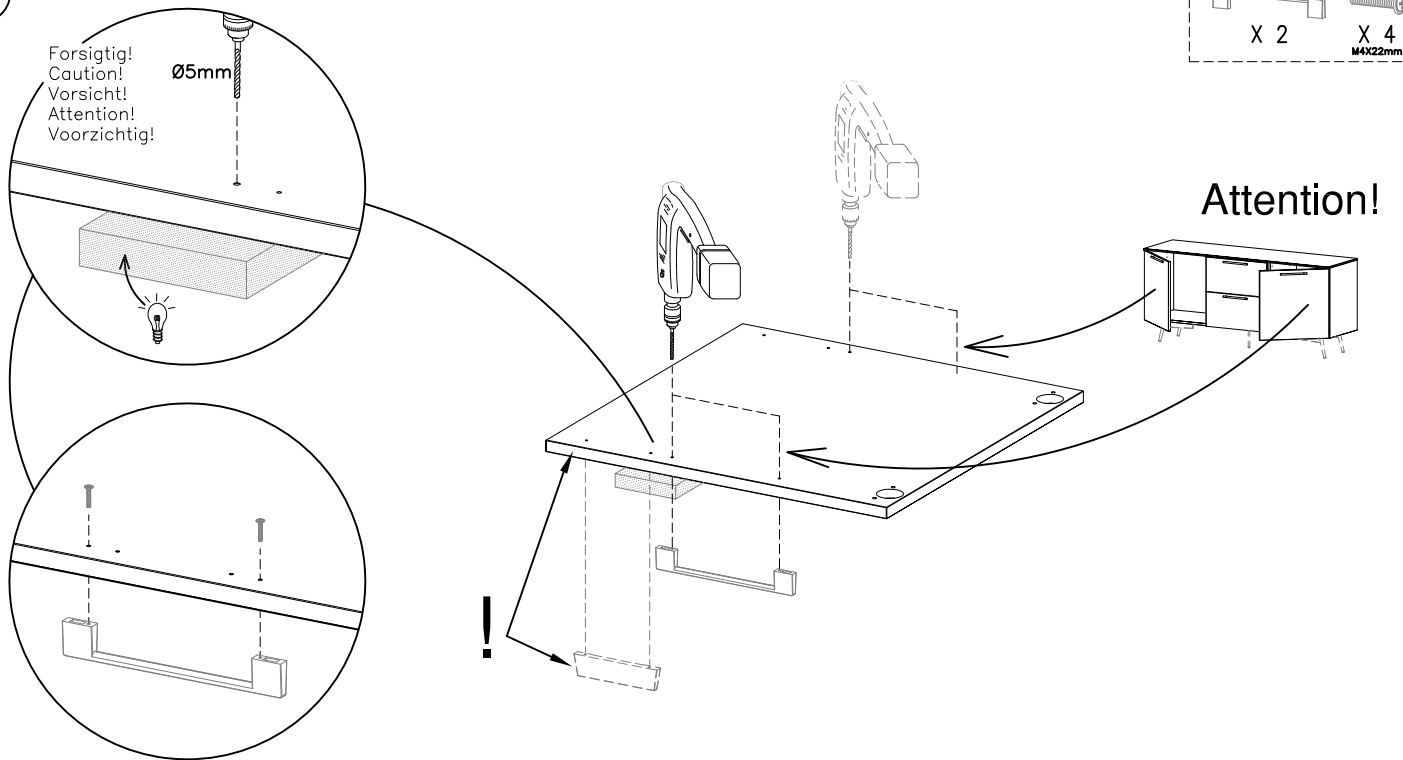
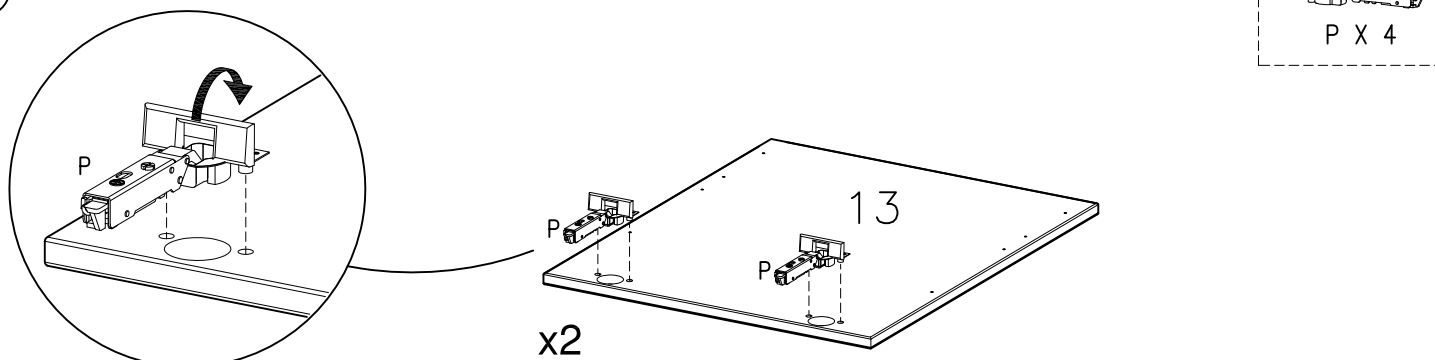






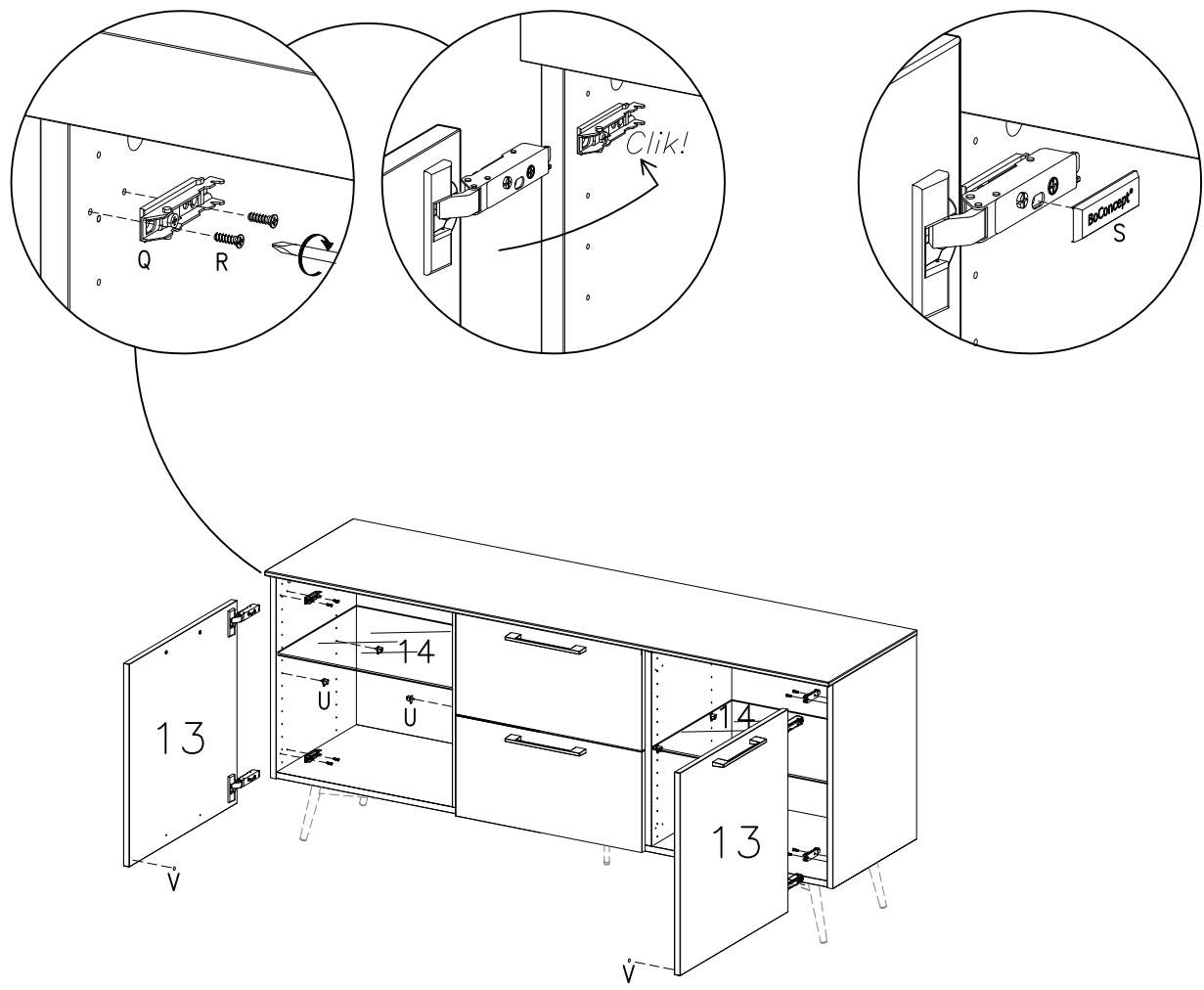


FIG. 17

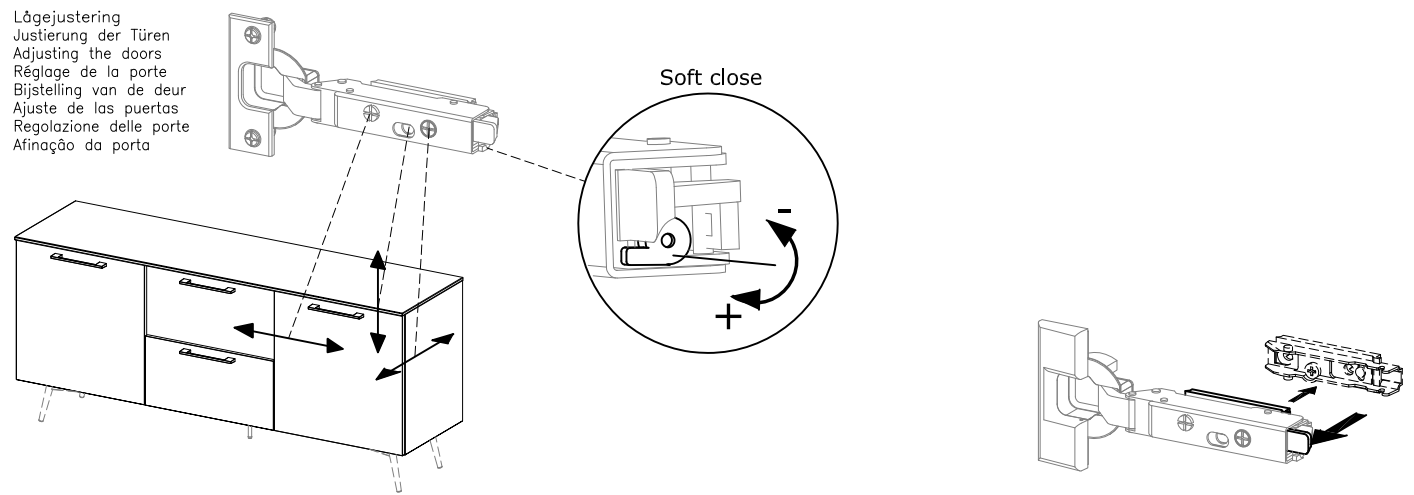


- 
Q X 4
- 
R X 8
4,2x13,5mm
- 
S X 2
Left
- 
T X 2
Right
- 
U X 8
- 
V X 2

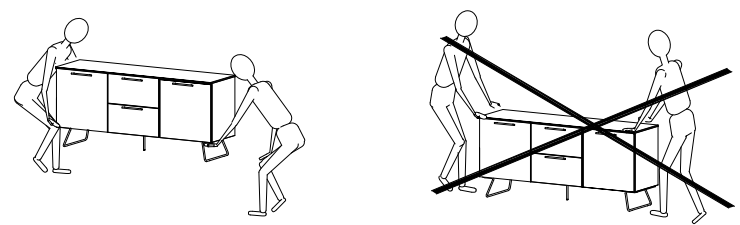


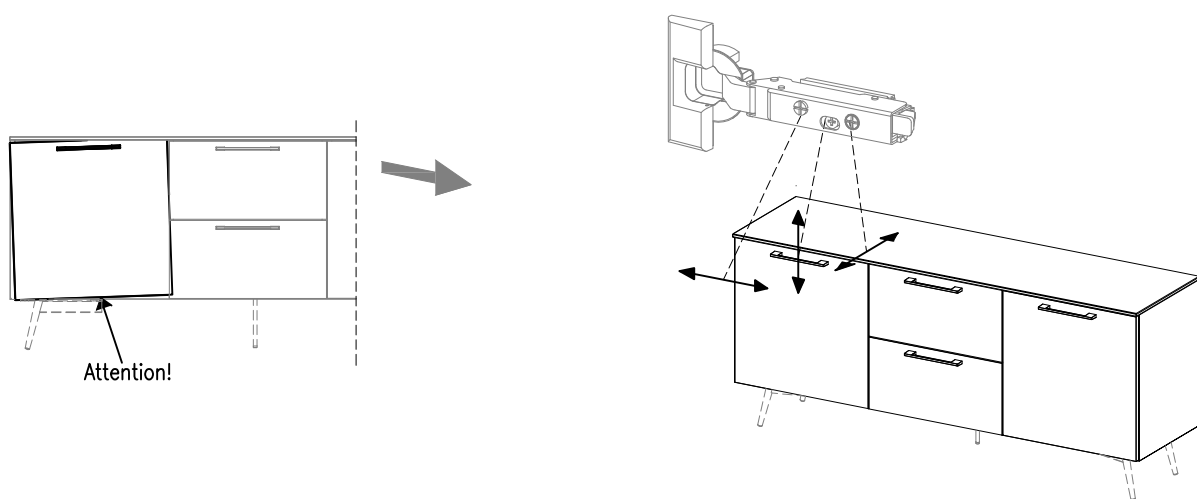
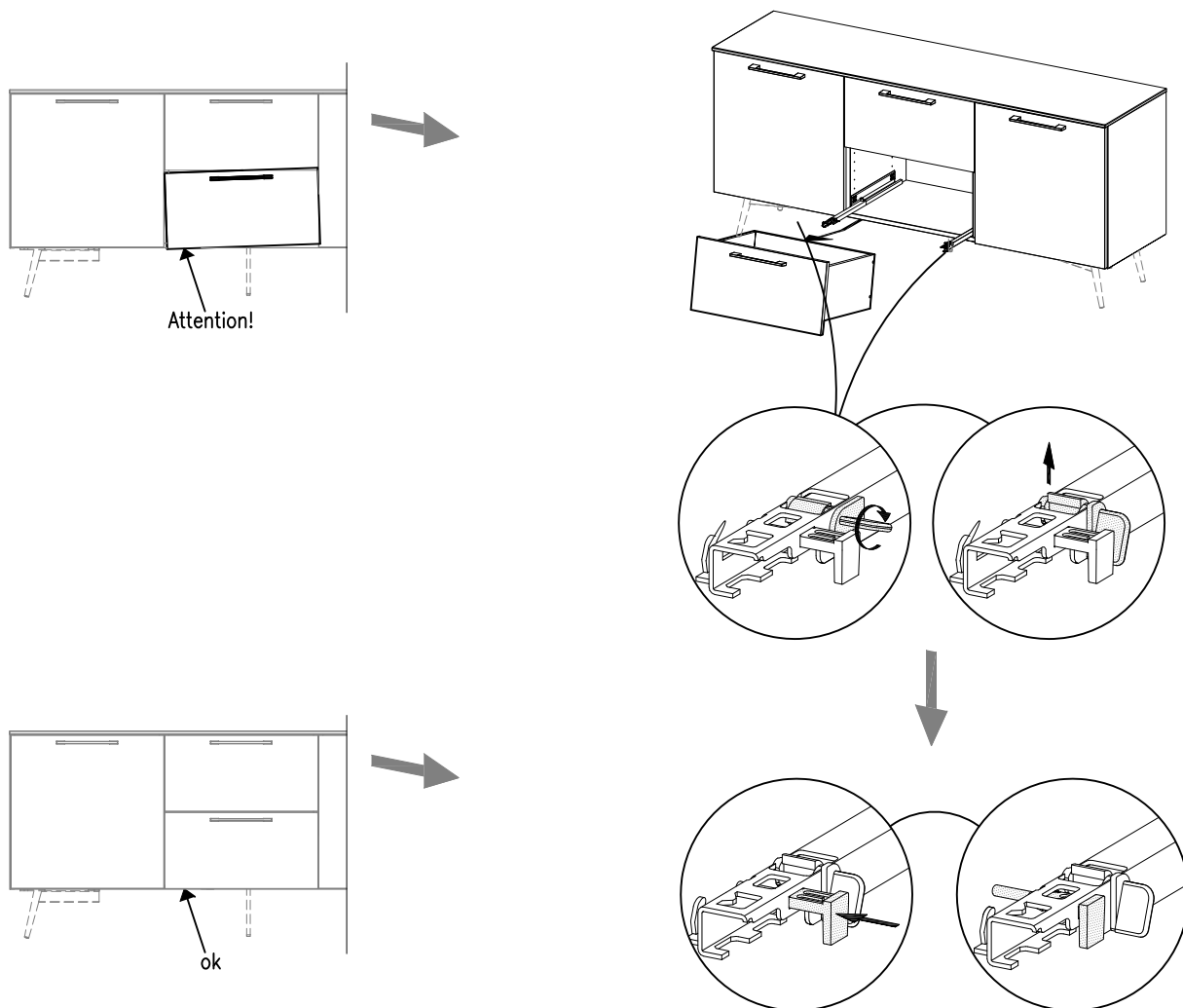
Lägejustering
 Justierung der Türen
 Adjusting the doors
 Réglage de la porte
 Bijstelling van de deur
 Ajuste de las puertas
 Regolazione delle porte
 Afiinação da porta

Soft close



Attention!





- DK Ved reklamation oplyses følgende:
- D Im Reklamationsfall, bitte folgendes erläutern:
- US In case of claims, please state the following:
- F En cas de réclamation, veuillez indiquer:
- NL Bij service volgene mededelen
- E En caso de reclamacion, indicar lo siguiente:
- P No caso de reclamação, por favor indique o seguinte:
- JP お気づきの点等ございましたら、以下の点をお知らせください。

Example!

| Korpus - Kórpús - Carcase - Carcasse | | | Beslag - Fittings - Beschläge - Set de Montage | | |
|--------------------------------------|--|--|--|--|--|
| | | | | | |
| | | | | | |