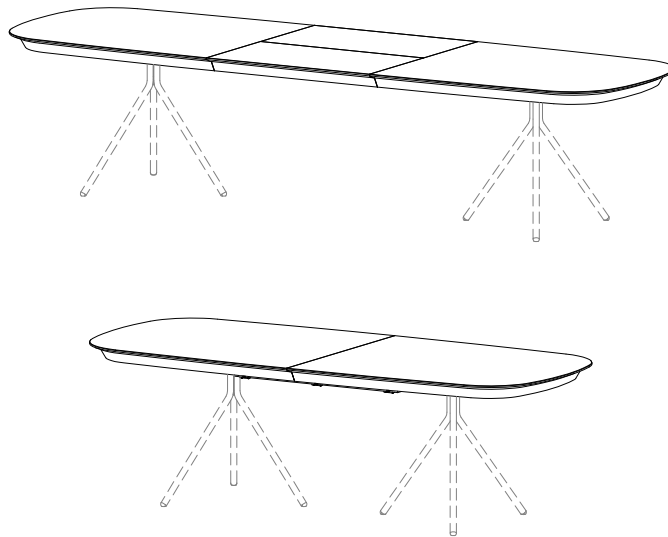


Occa

Design by BoConcept

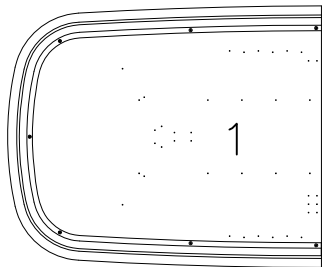
Samlevejledning - Assembly Instructions - Montageanleitung - Instructions d'assemblage - Instrucciones de montaje



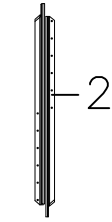
4000

7,2x240/327x100 cm

2x Col.1

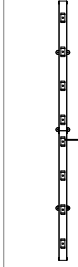


002063



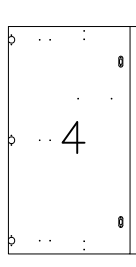
002056

Col.2



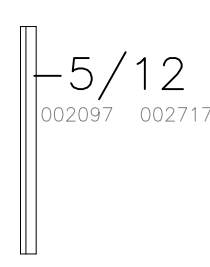
970001134

x2



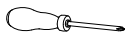
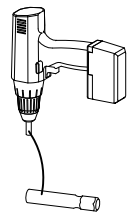
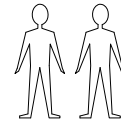
002062

x2



5/12
002097 002717

Værktøj - Werkzeuge
- Tools - Outils



Col.2



A X 4
970001083



B X 4
970001084



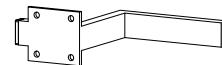
C X 68/64
970001124
4,0x16mm



D X 8
970001086



E X 8
970001059



F X 1
970001151



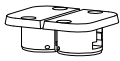
G X 1
970001152



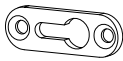
H X 2
979900222
M6X6mm



J X 1
1979300005
5mm



K X 3
1971010004
26mm



L X 4
970001155



M X 14
970001027
13,5x4,2mm



N X 1
970001153



P X 1
970001183
50mm



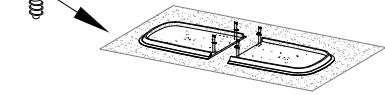
R X 4
970001230
M4x16mm





S X 1
1979300003
3mm

FIG. 1

Attention!



- 
 A X 2
- 
 B X 2
- 
 C X 8
4,0x16mm

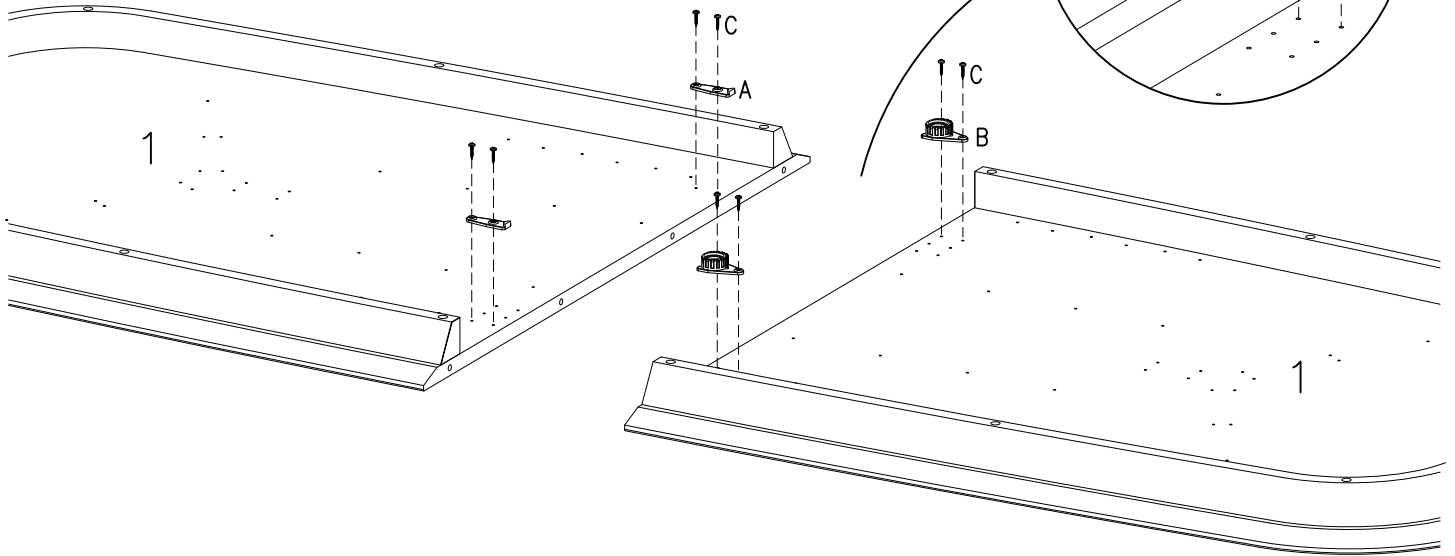
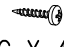

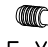




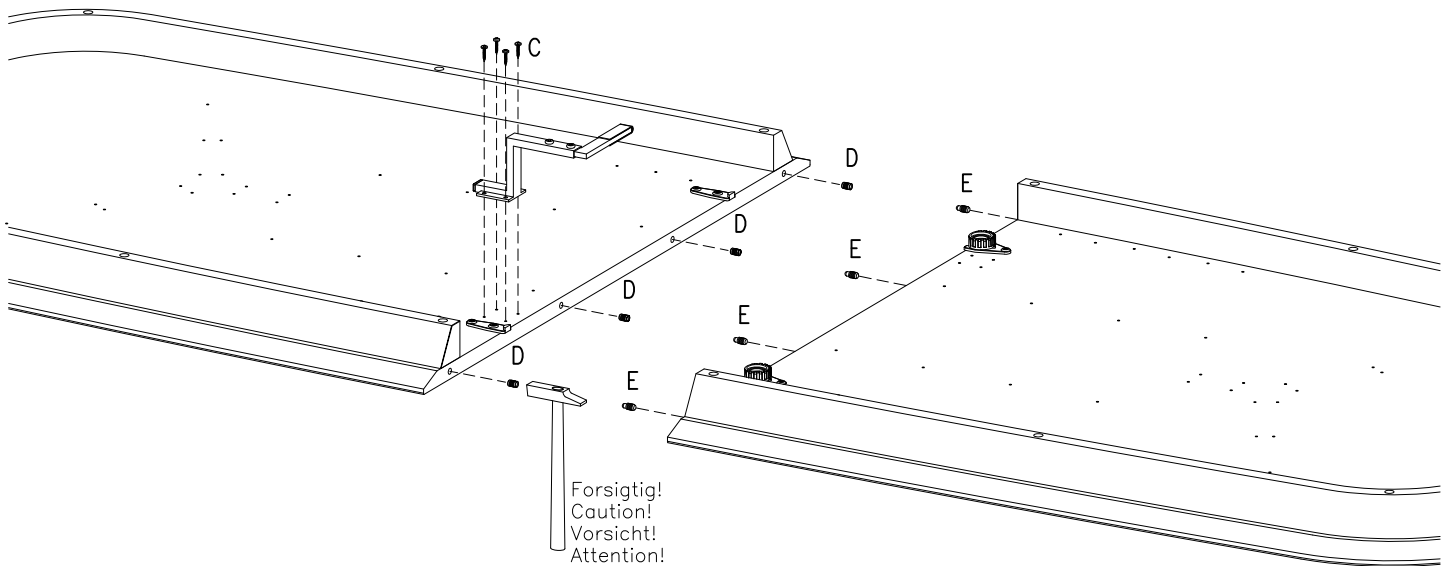
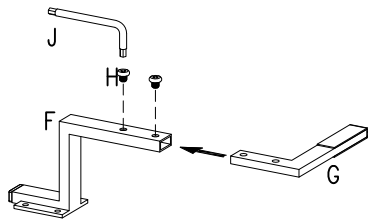


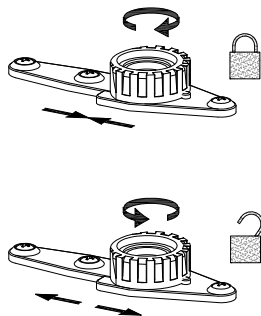
FIG. 2

- 
 C X 4
4,0x16mm
- 
 D X 4
- 
 E X 4
- 
 F X 1
- 
 G X 1
- 
 H X 2
M6x6mm
- 
 J X 1
5mm



Forsichtig!
Caution!
Vorsicht!
Attention!

FIG. 3



C X 24
4,0x16mm

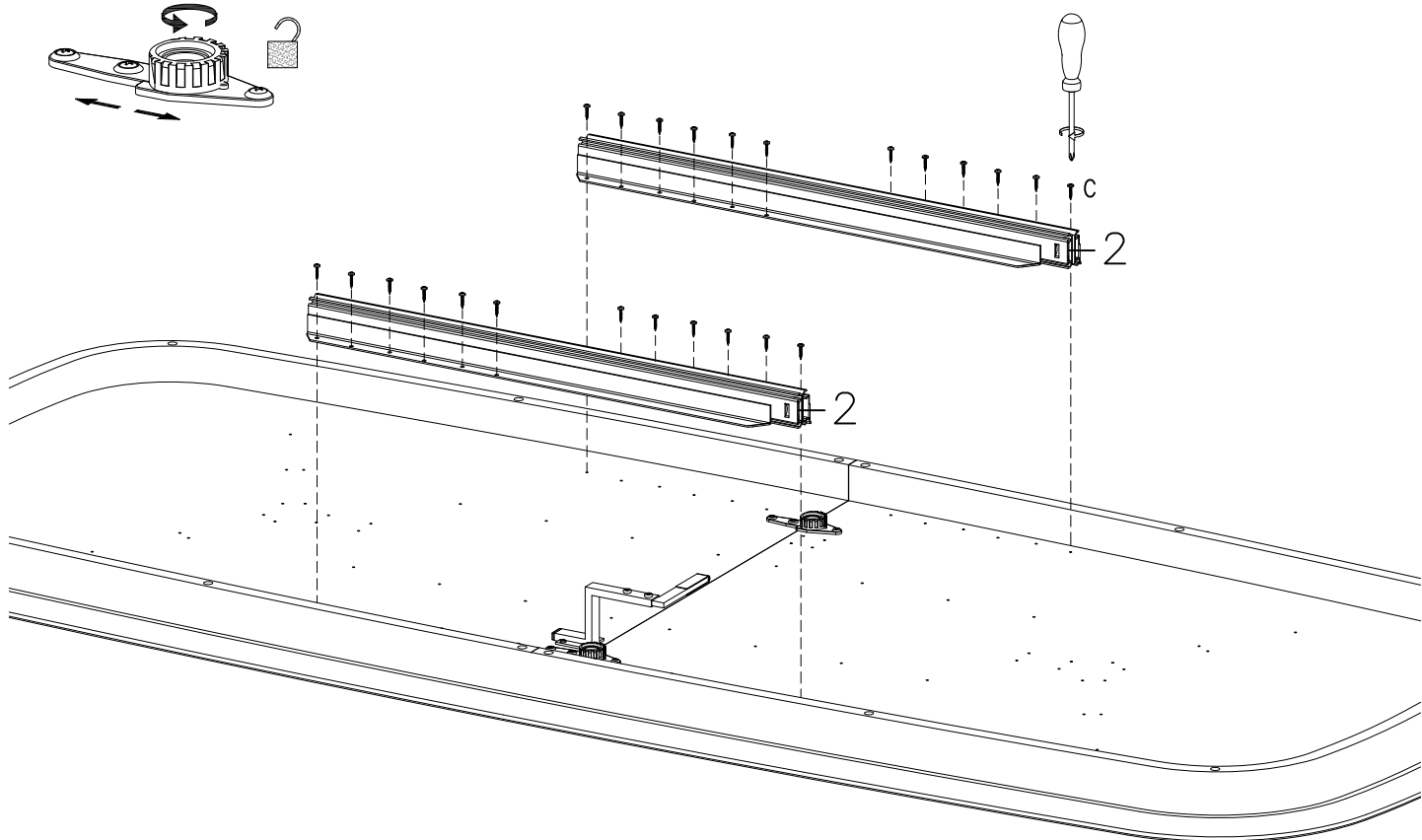


FIG. 4

C X 4
4,0x16mm

P X 1
50mm

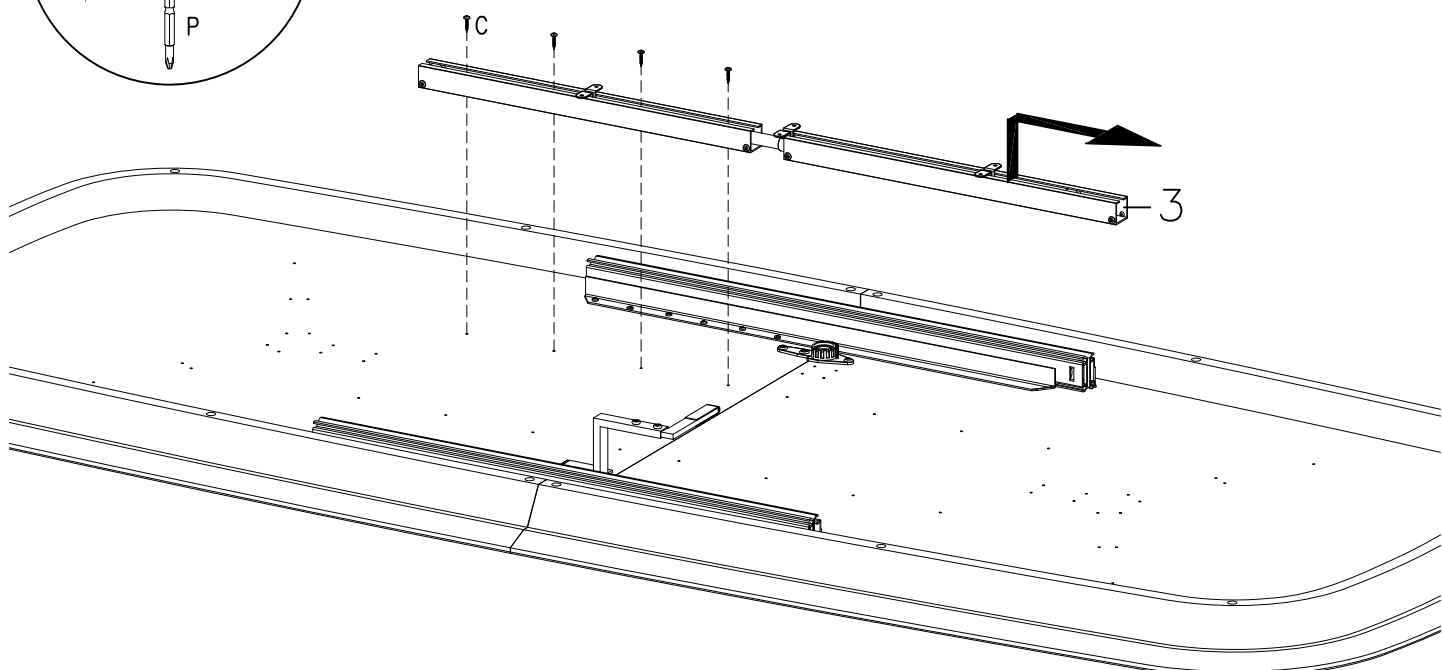
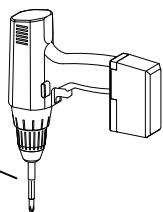
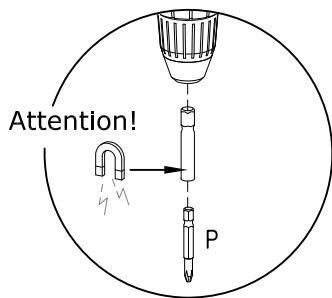


FIG.
5

C X 4 4,0x16mm
P X 1 50mm

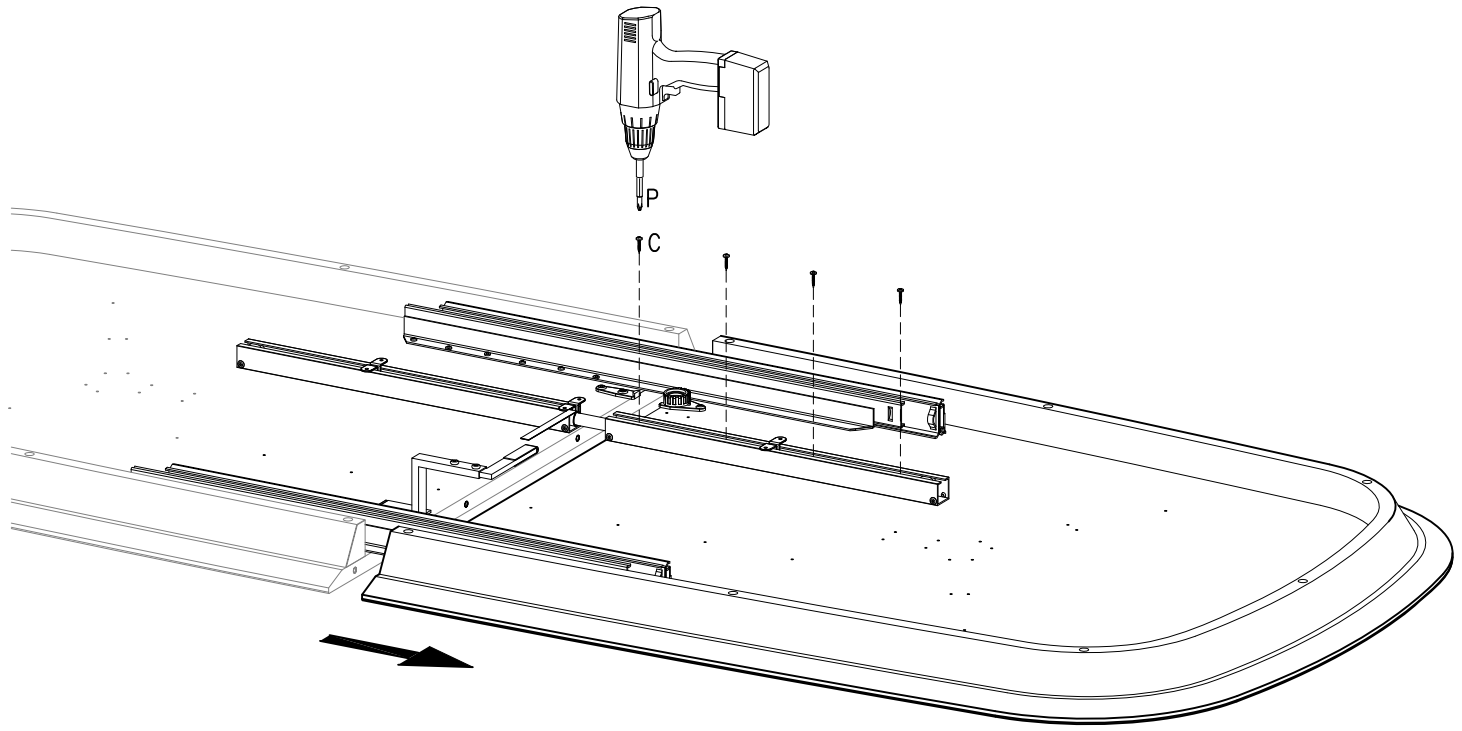
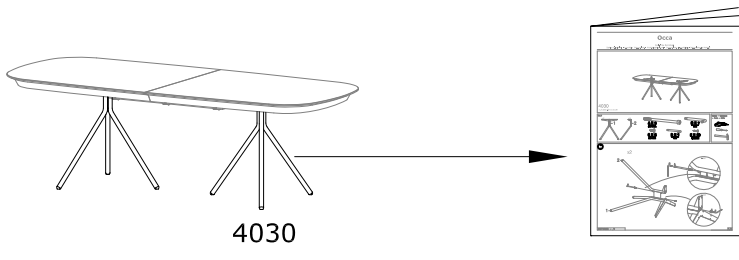


FIG.
6



Samvejledning
Assembly Instructions
Montageanleitung
Instructions d'assemblage
Instrucciones de montaje

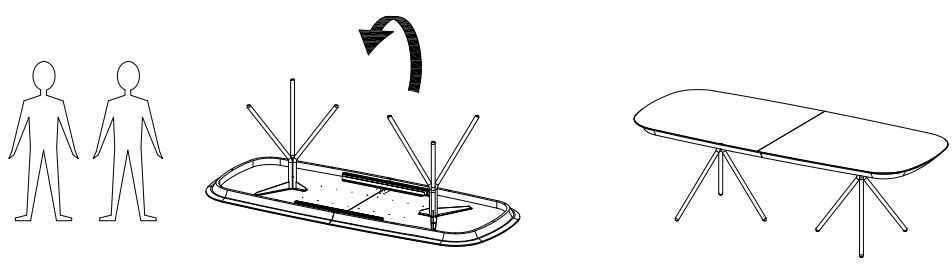






FIG. 7

- 
 A X 2
- 
 B X 2
- 
 C X 20
4,0x16mm
- 
 K X 3
26mm

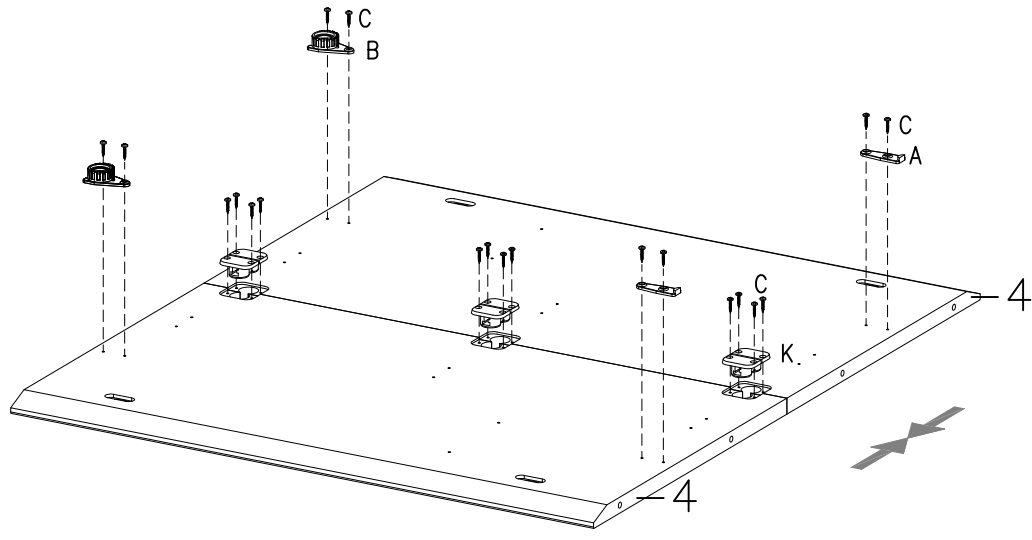







FIG. 8

- 
 L X 4
- 
 M X 8
13,5x4,2mm
- 
 D X 4
- 
 E X 4
- 
 N X 1

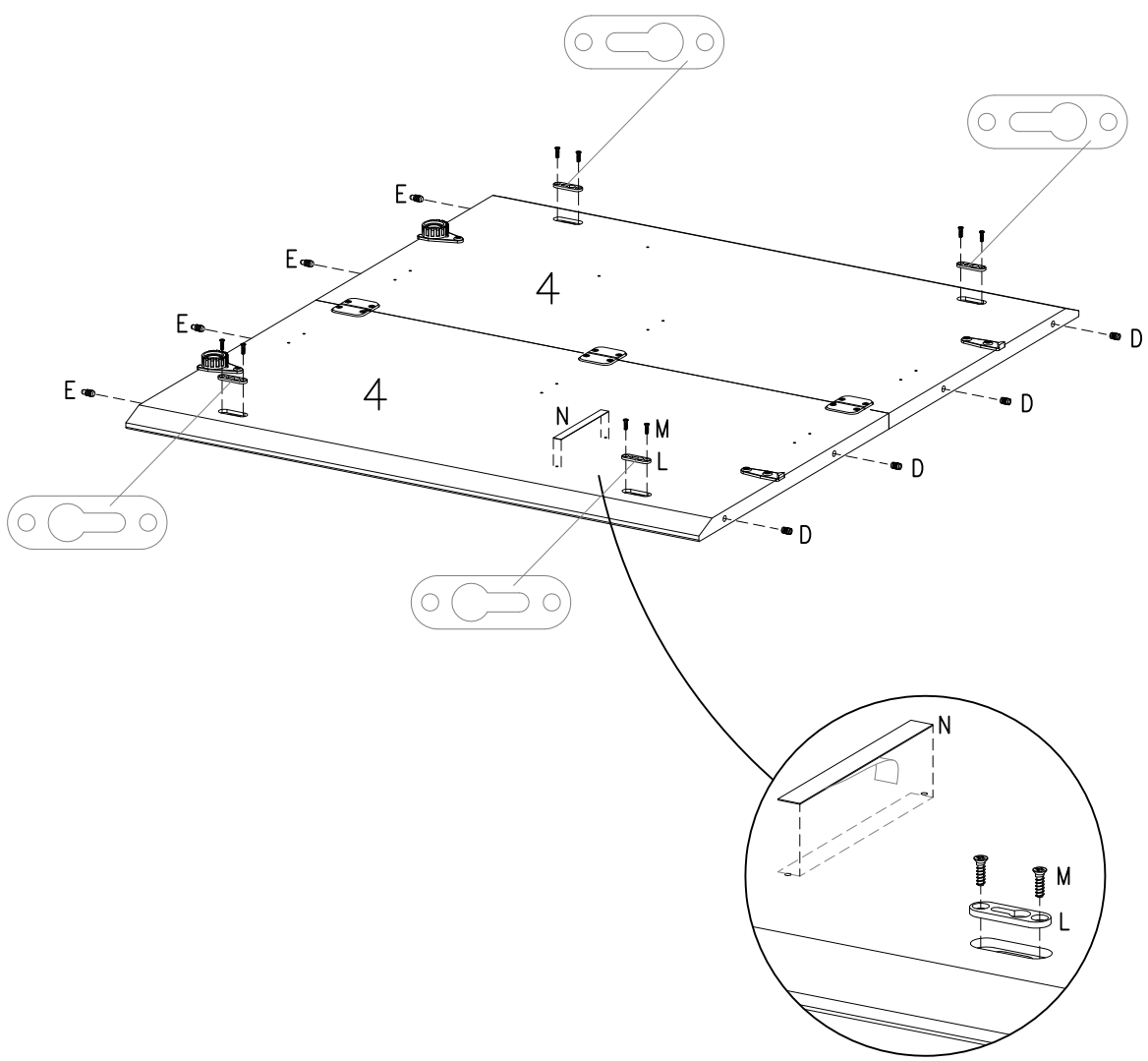


FIG. 9

Attention!

M X 6
13,5x4,2mm

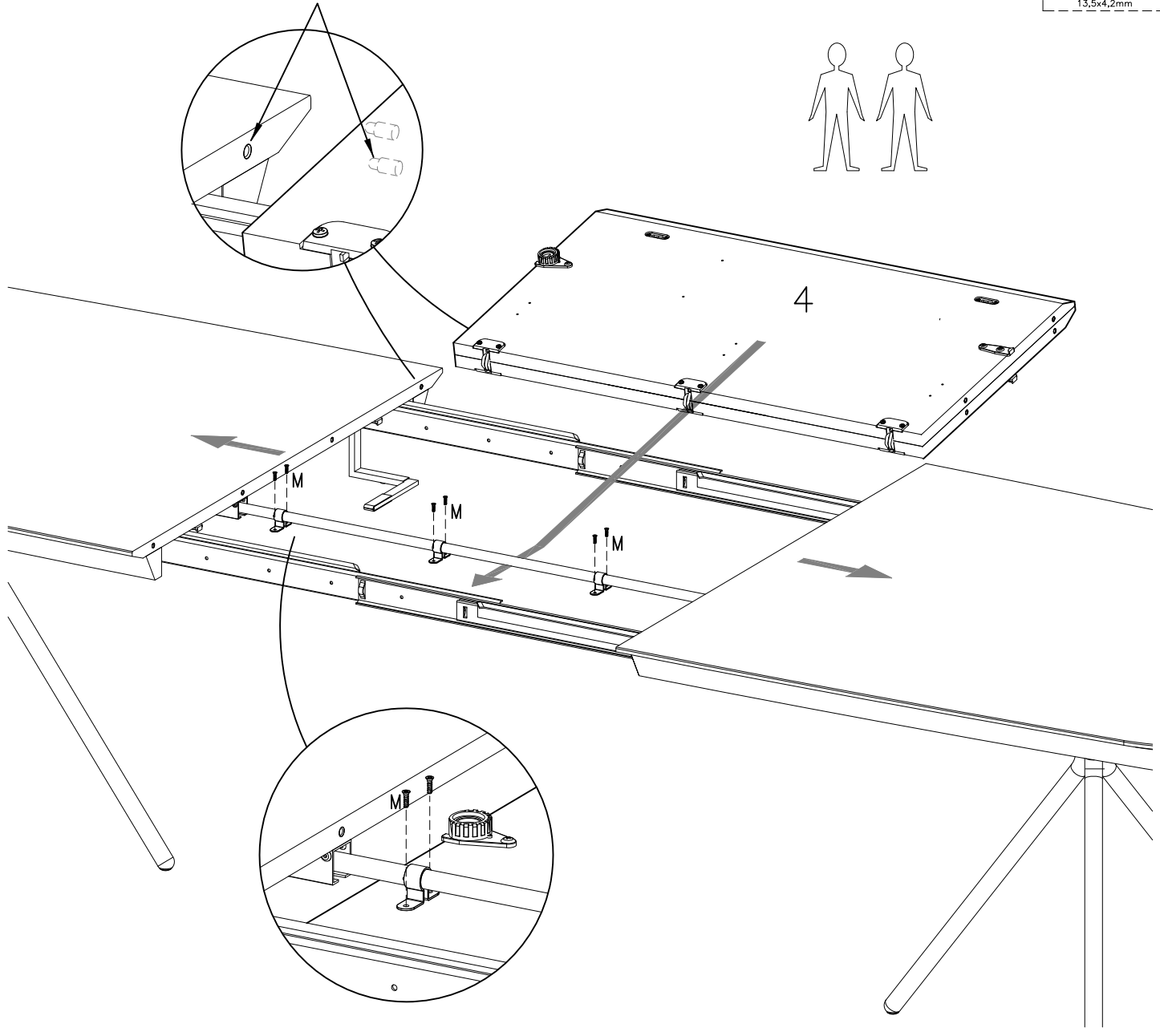
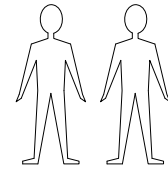


FIG. 10

C X 4
4,0x16mm

R X 4 S X 1
M4x16mm 3mm

VERSION A

VERSION B

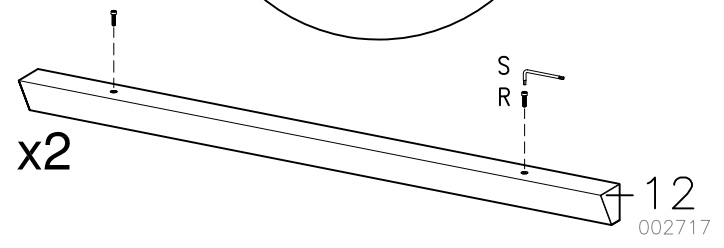
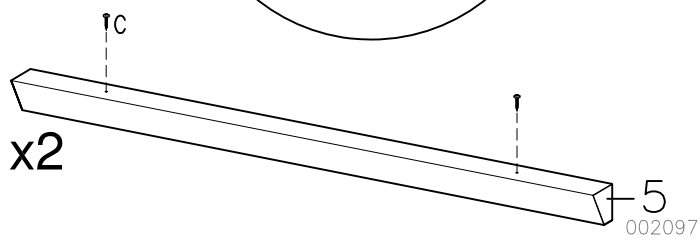
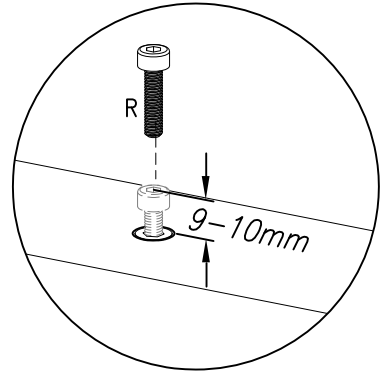
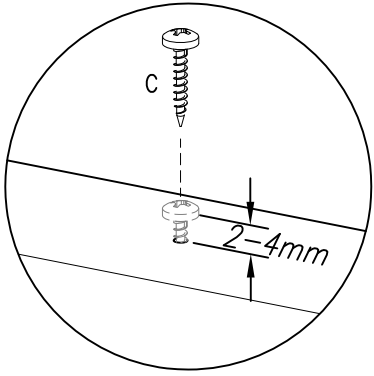


FIG. 11

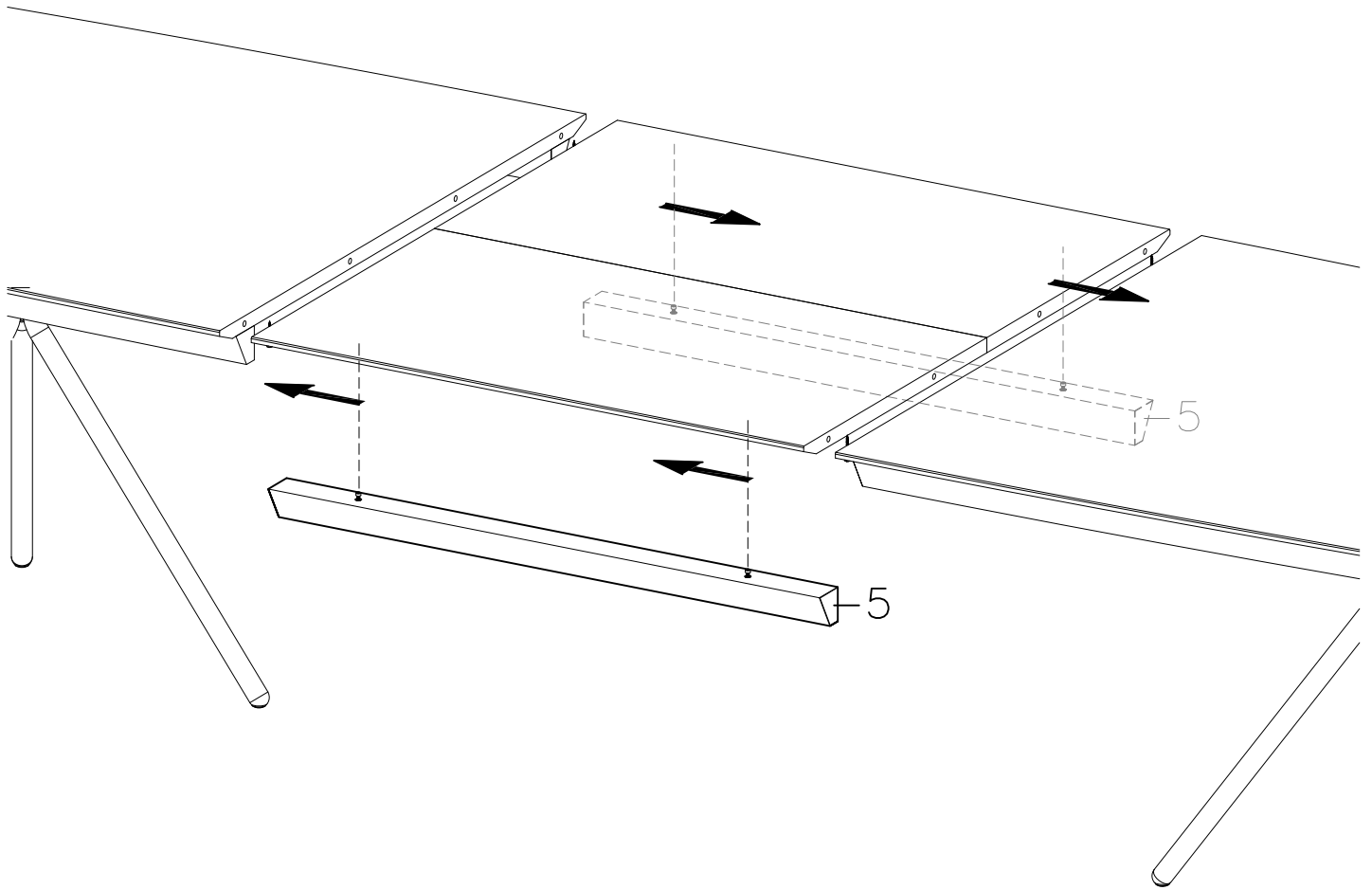
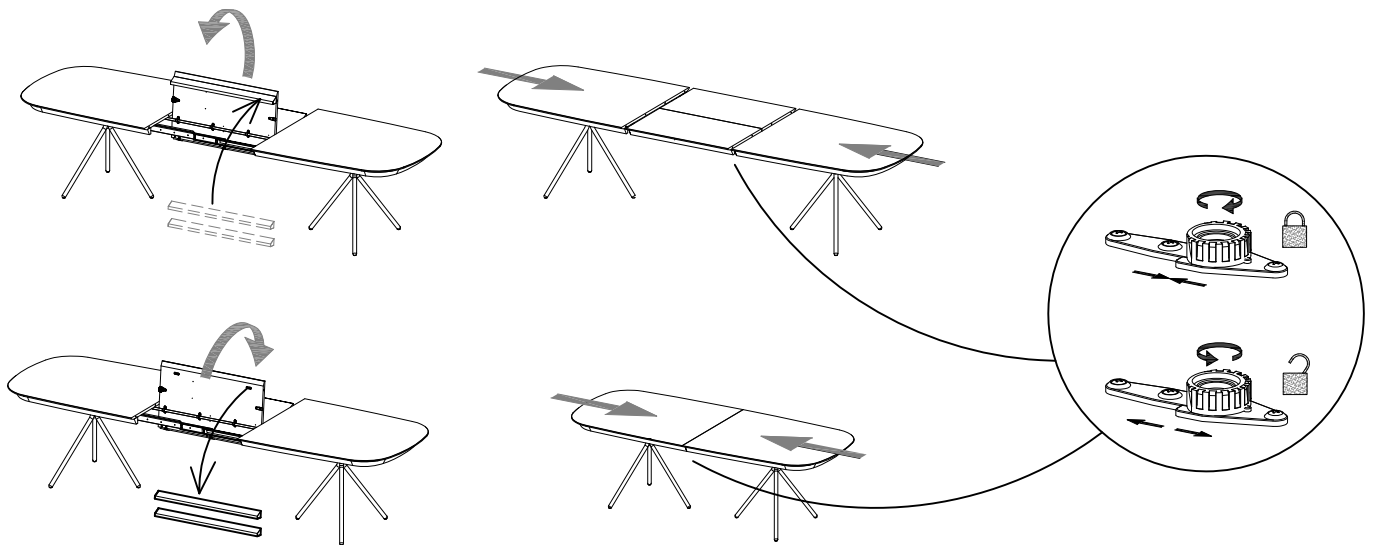


FIG. 12



DK Ved reklamation oplyses følgende:
 D Im Reklamationsfall, bitte folgendes erläutern:
 US In case of claims, please state the following:
 F En cas de réclamation, veuillez indiquer:
 NL Bij service volgens mededelen
 E En caso de reclamación, indicar lo siguiente:
 P No caso de reclamação, por favor indique o seguinte:
 JP お気づきの点等ございましたら、以下の点をお知らせください。

Example!

