



***BONTRAGER.***

**Trip™ 1 & Trip™ 4W**  
**Owner's Manual.**

ENGLISH



# WELCOME.

**Thank you for buying a Bontrager Trip™ computer. We hope this computer gives you miles (or kilometers) of pleasure.**

Your Trip computer may not include all of the features discussed in this manual. This manual covers Trip 1 and 4W models.

Please read this manual carefully. If you do not understand the information, or you have a question that this manual does not cover, consult your Authorized Bontrager Dealer or visit [www.bontrager.com](http://www.bontrager.com).

## Safety When Riding

When riding your bicycle, do not stare at the computer for a long time (Figure 1). Failure to pay attention to the road ahead of you, obstacles, and traffic could result in a loss of control, serious injury, or death. Stay alert!

Make sure the computer wire cannot contact the tire, rim, or spokes. Contact with wires could damage the computer or cause you to lose control and fall.

## Terms Used

Hold	Press a button continuously for about two seconds.
Press	Push a button once, briefly.
Reset	Set all values in the memory to 0 (zero) and erase all settings.
Trip Restart	Set Trip values (only) in the memory to 0 (zero).
Scroll	Press several times to scroll through a list of values or display elements.

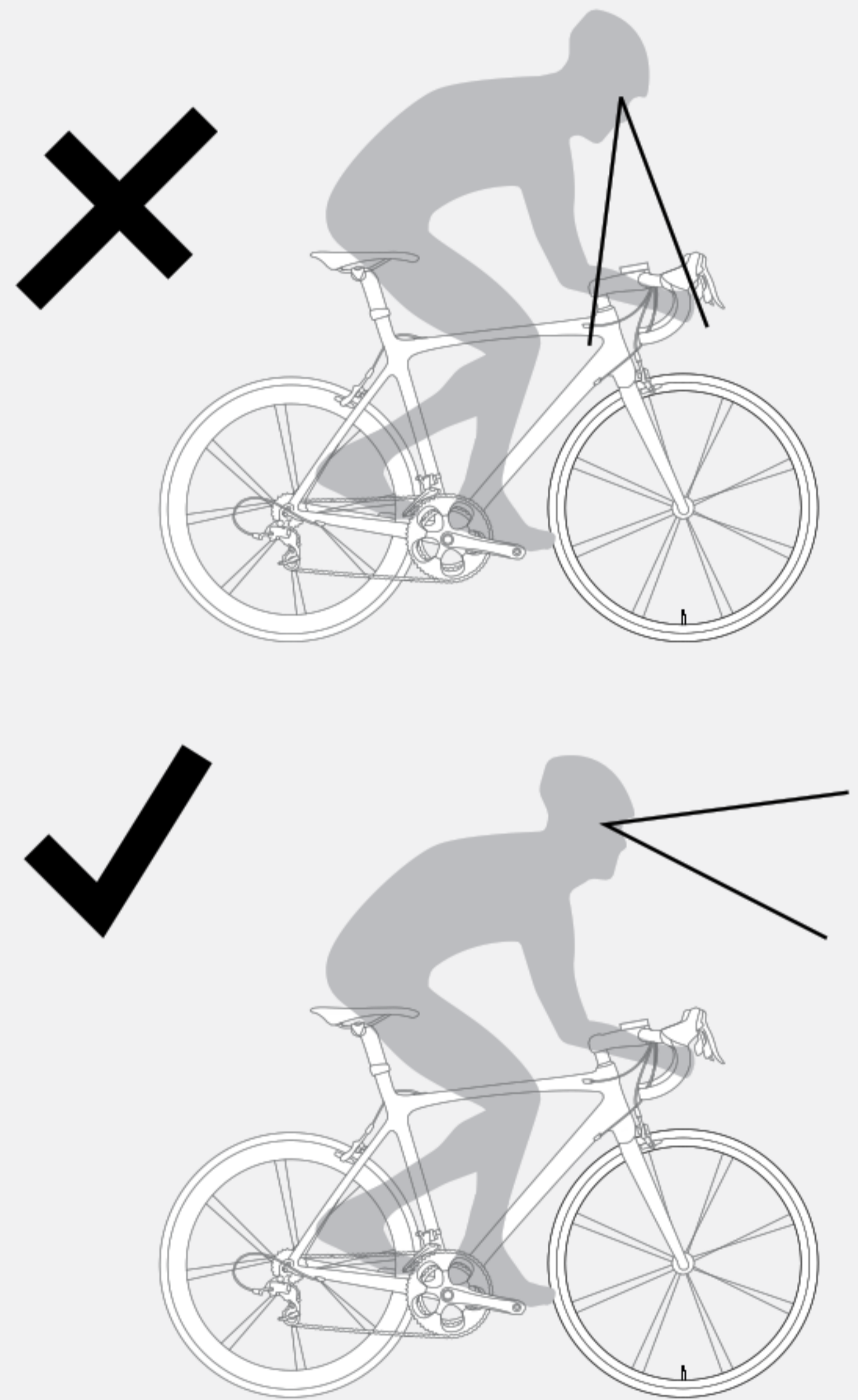


Figure 1. Do Not Stare at Computer for Long Periods of Time.

## Display Elements and Abbreviations

The Trip 4W can be used on two bicycles with different wheel sizes while still calculating data correctly for each wheel size. You must first set the wheel sizes and choose the appropriate bike setting before riding.

### Trip Data (can be reset to 0 without affecting Odometer (ODO) total)

- Trip Distance (TRP)
- Average Speed (AVG) and Maximum Speed (MAX)
- Ride Time (TME)

### Abbreviations and Screen Terms

Abbreviation	Meaning
AVG	Average Speed
CLK	Clock
CUR	Current Speed
MAX	Maximum Speed
ODO	Odometer
TME	Ride Time
TRP	Trip Distance

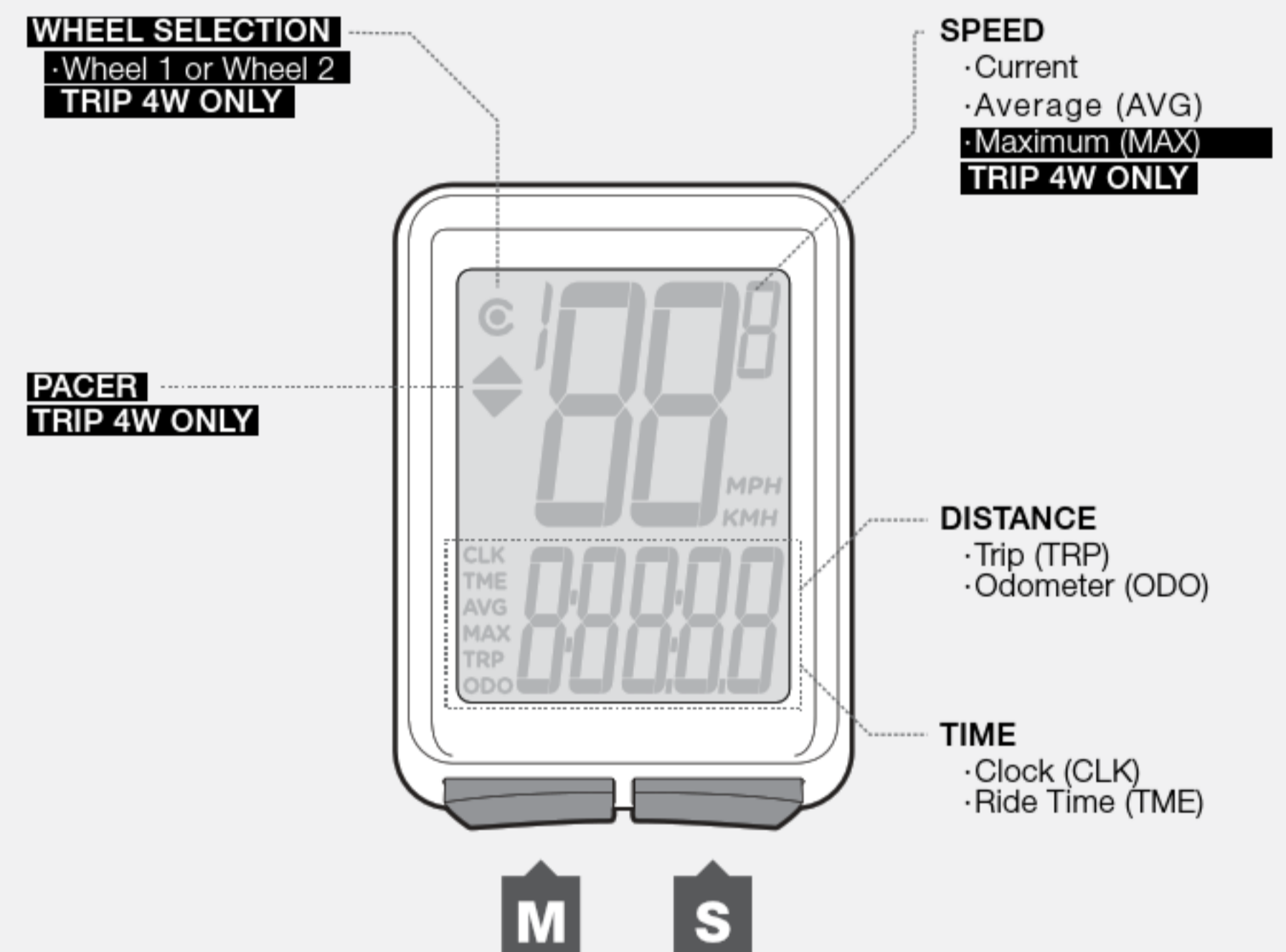


Figure 2. Display Elements and Buttons.



## Easy Setup

This procedure programs your Trip cycle computer for the first time or after a Reset.

### Install the Battery

To prolong the life of the battery, it is not installed at the factory. (See Figures 9 and 10 at the end of the manual for further help installing the battery.)

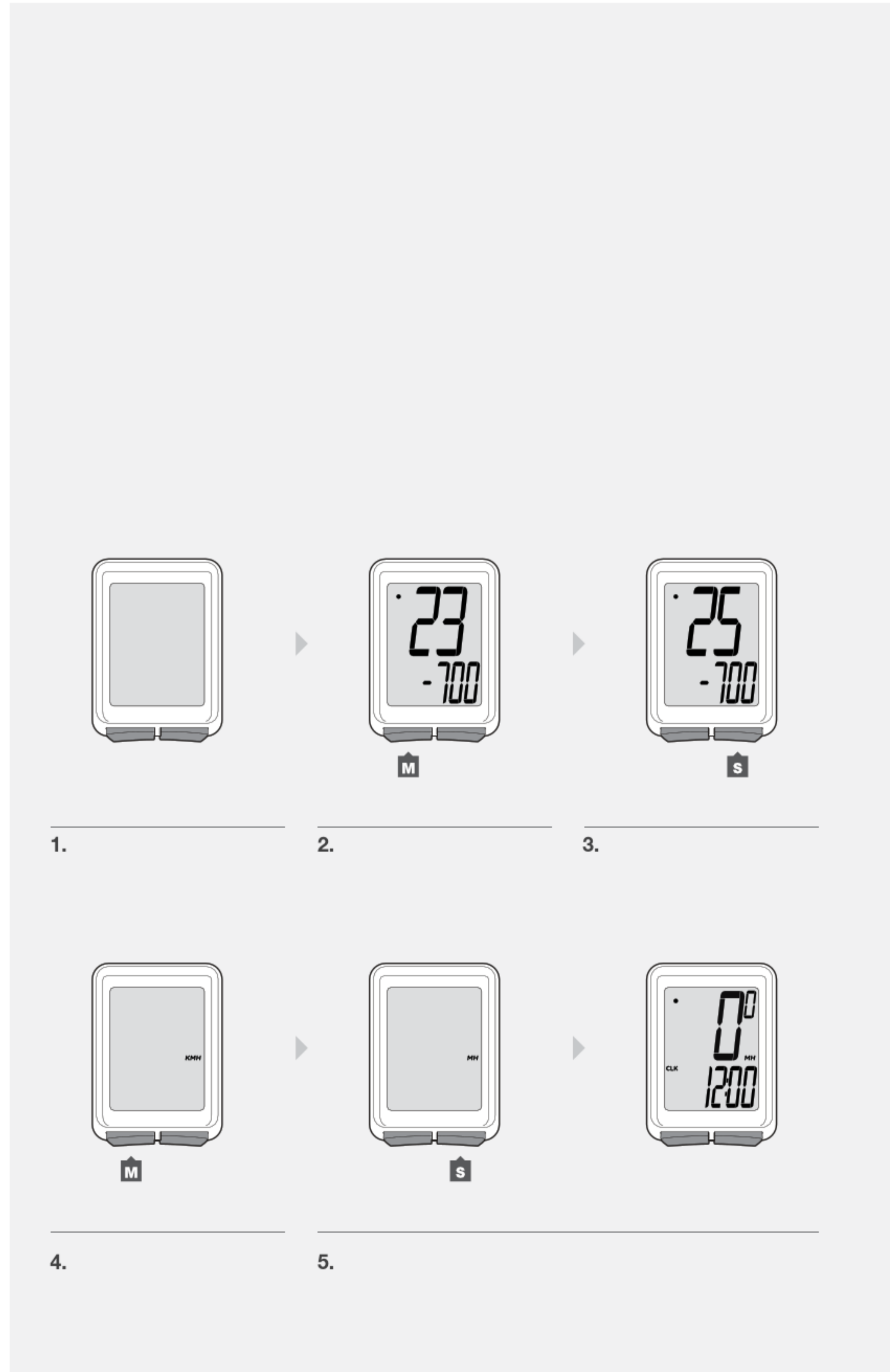
### To Set the Units

You can program the wheel size, units, and time with just two buttons (Figure 2).

1. Install the battery (or push the Reset button—see Figure 11 at end of manual).
2. The wheel size appears on the display.
3. To change the wheel size, press **M**.

To select, press **S**.

4. To scroll between units of measurement, Miles per Hour (MH) or Kilometers per Hour (KMH), press **M**.
5. To select, press **S**.

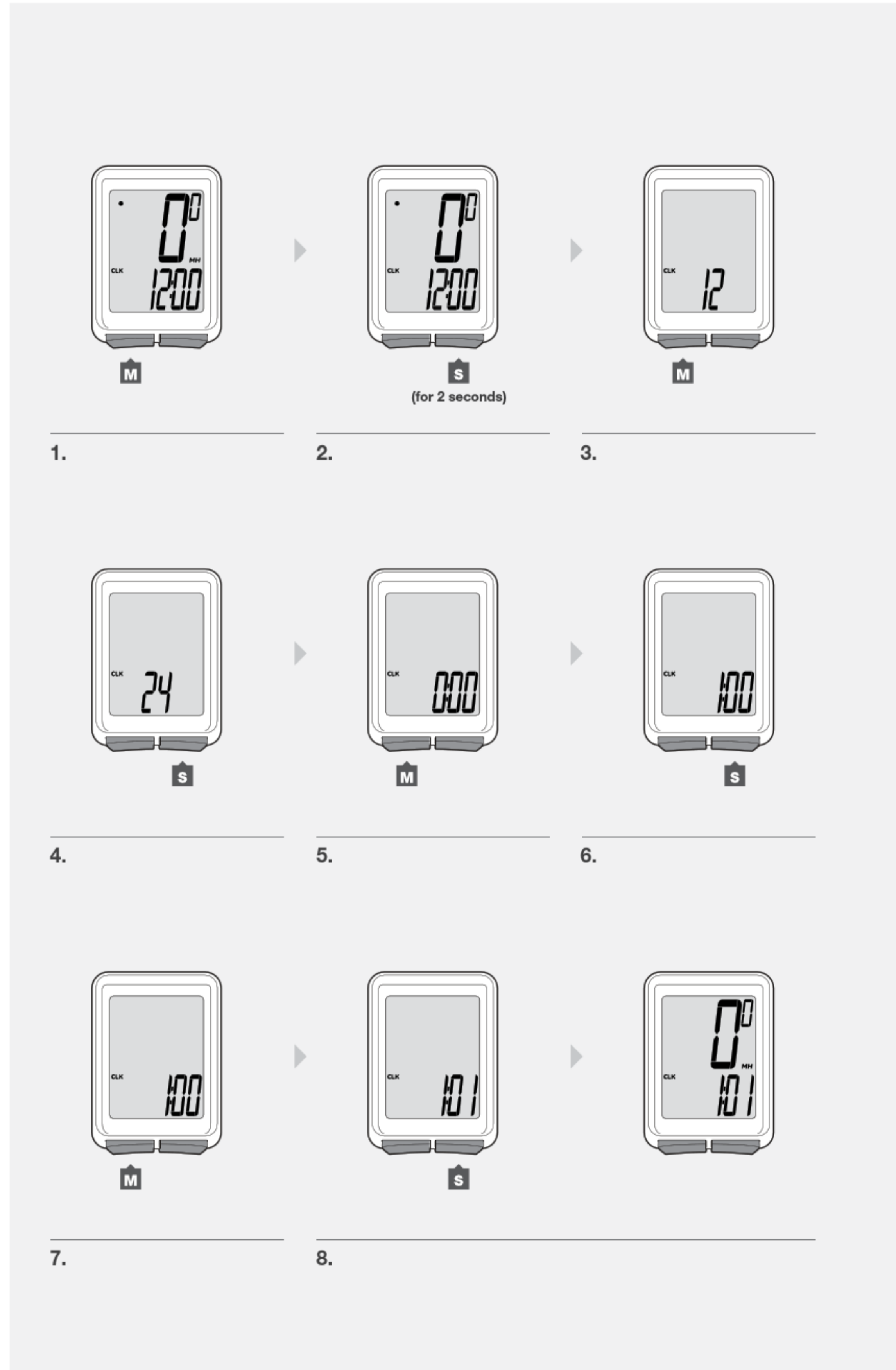


## To Set the Clock

1. Scroll **M** to Clock (CLK).
2. Hold **S** for two seconds.
3. To change between 12 or 24 hour clock, press **M**.

4. To select, press **S**.
5. To change the hour, scroll **M**.
6. To select, press **S**.

7. To change the minutes, scroll **M**.
8. To select, press **S**.



## Additional Information & Features

### Automatic Sleep Mode

If the Trip's sensors do not send a signal to the computer head for 10 minutes, the Trip switches to Sleep Mode to prolong battery life (Figure 3).

### To Remove the Computer from the Computer Base

Press firmly on the computer (not on the base) in a rearward direction (Figure 4).

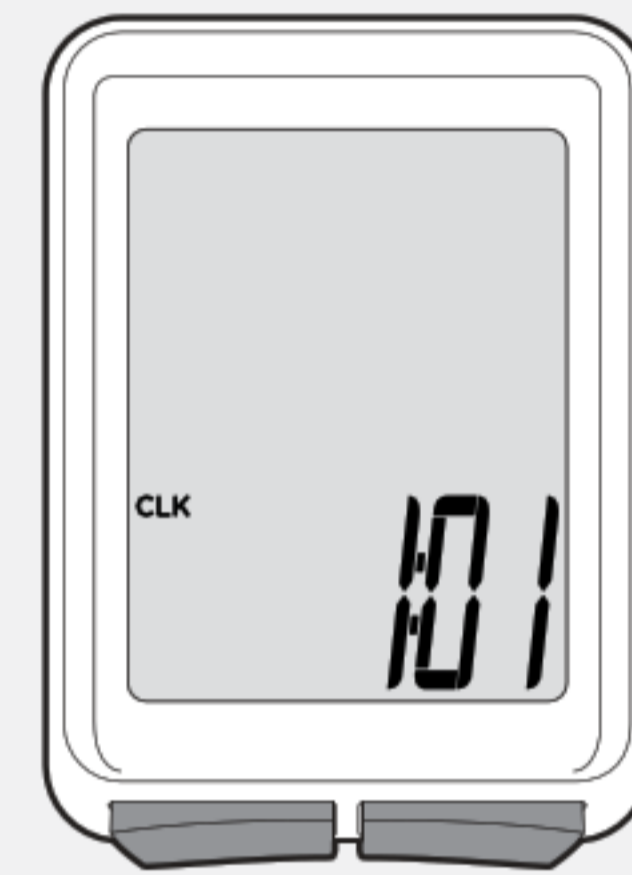


Figure 3. Display in Sleep Mode.

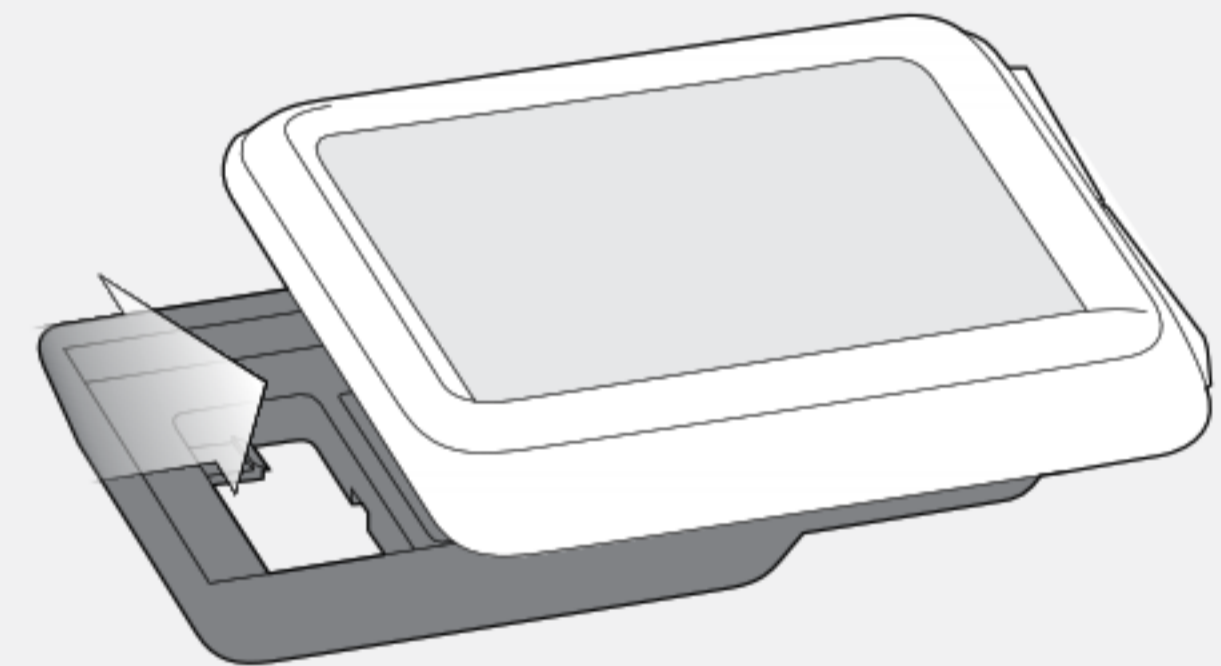


Figure 4. Removing the Computer from the Base.



## Trip Restart (Set the Trip Data to Zero)

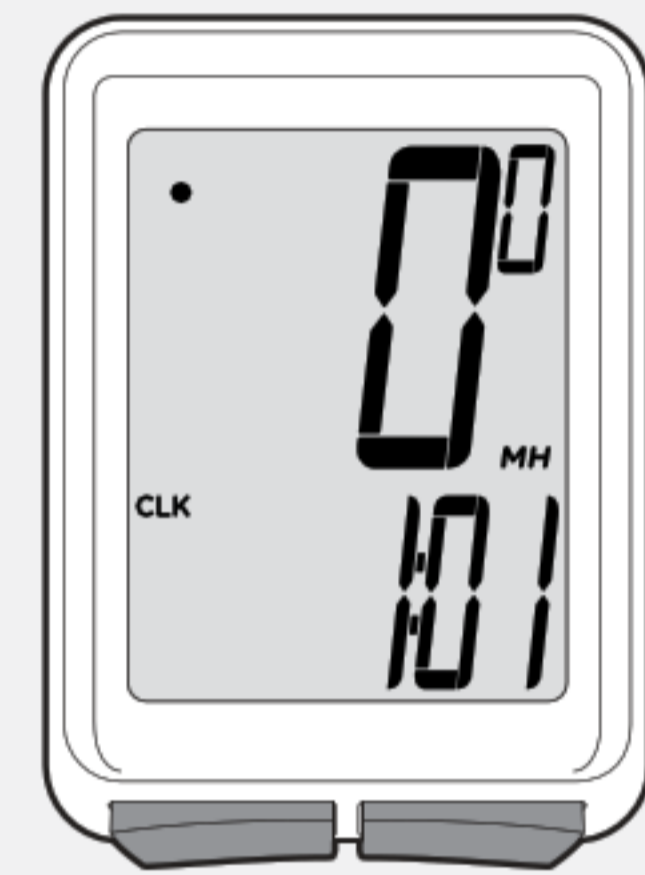
Trip Restart resets the following Trip data to zero:

- Trip Distance (TRP)
- Speed AVG and MAX
- Ride Time (TME)

### To Restart

Hold **S** and **M** at the same time for two seconds (Figure 5).

*The trip data restarts at '0'.*



**M** (and) **S** (for 2 seconds)

Figure 5. Restart the Trip Data.





## Custom Settings

You can change units of measurement without erasing other settings.

### To Set the Units of Measurement and Odometer

1. Scroll **M** to ODO.
2. Hold **S** for two seconds.
3. To change to MH or KMH, press **M**.

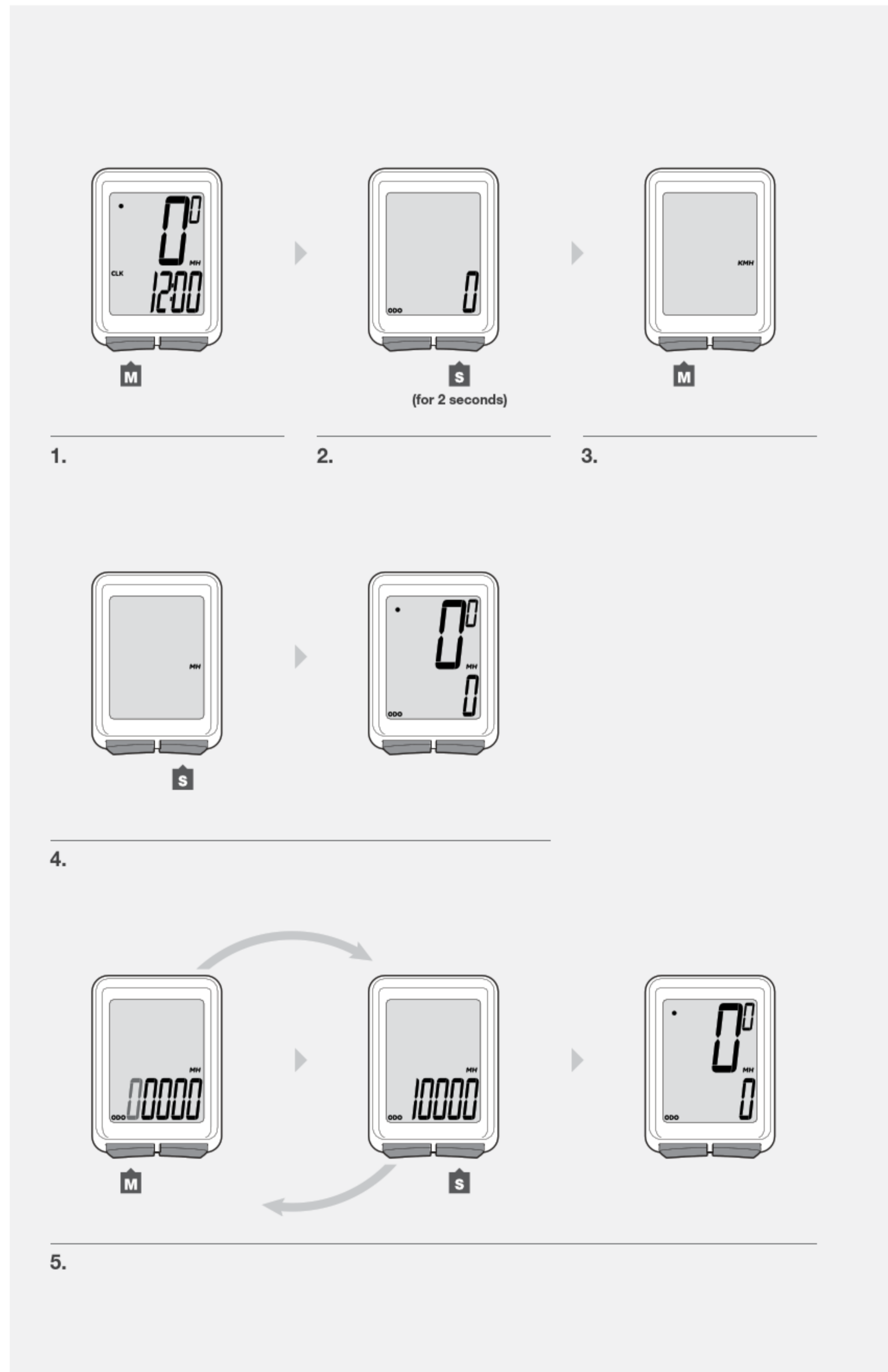
4. To select, press **S**.  
*The odometer appears.*

5. To change the flashing digit, press **M**.

To select, press **S**.

Repeat step 5 to change the other digits.

*After you select the last digit, the Trip returns to ODO.*



## Custom Wheel Size

The menu on your computer for tire size is based on averages, but there is some variation in actual tire size even between tires marked as the same. You can make your computer more accurate by setting a custom wheel size.

### To Set a Custom Wheel Size

Measure the roll-out (Figure 6).

Roll-out is the distance your bicycle travels in exactly one revolution of the wheel. If one wheel on your bicycle is bigger, measure the wheel with the magnet.

1. Start with the valve stem of the wheel directly perpendicular to the floor.
2. Mark the floor at the valve stem. Placing an object on the floor makes a good mark.
3. Roll the bike straight forward one revolution of the wheel, so that the valve stem is again directly over the floor.
4. Mark the new location of the valve stem.
5. Measure the distance between the marks in millimeters. The result is your Custom Wheel Size.

1. Scroll **M** to TME.
2. Hold **S** for two seconds until the wheel size appears.  
*For Trip 4W, press M to select Wheel Size 1.*
3. Scroll **M** to the four-digit number (example: 2050).

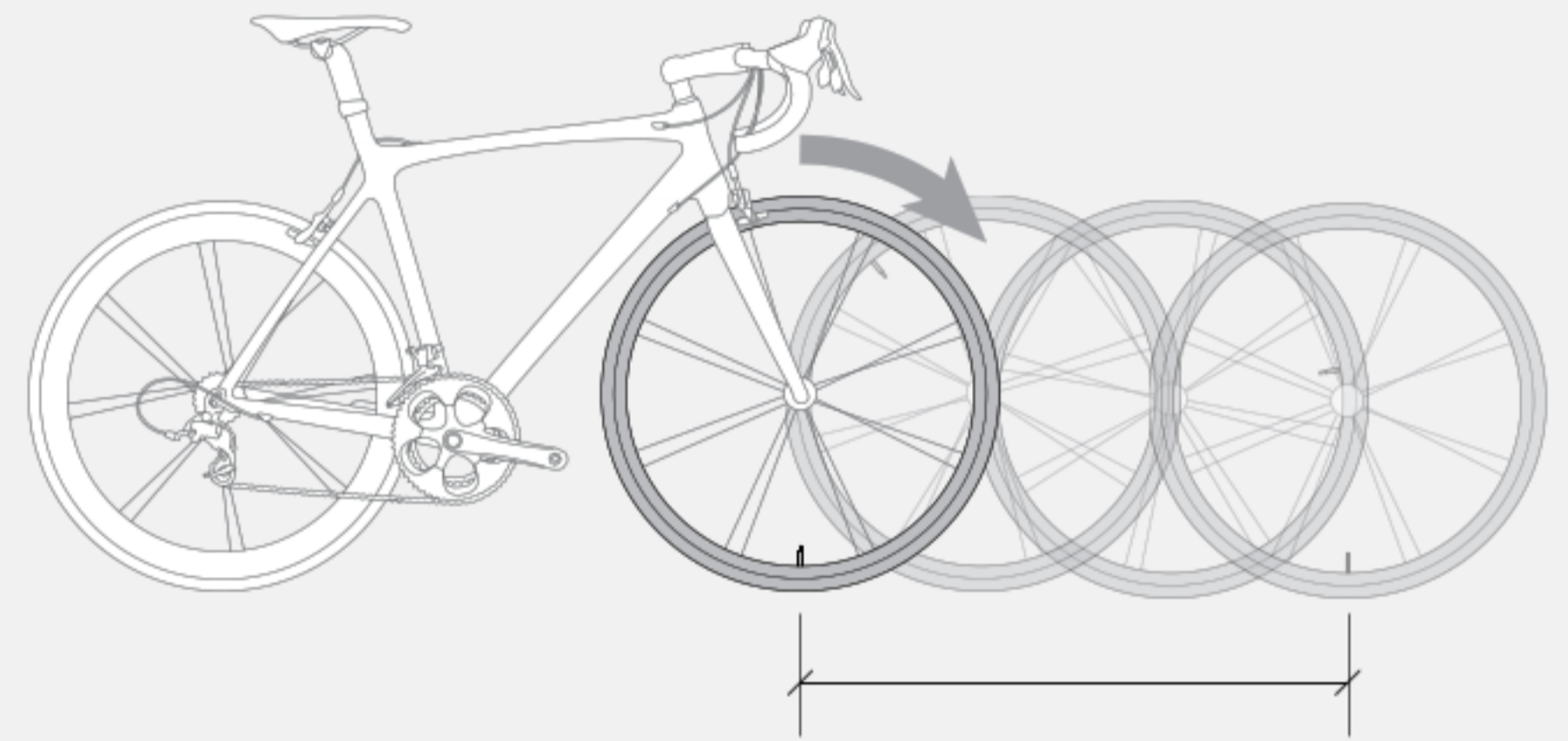
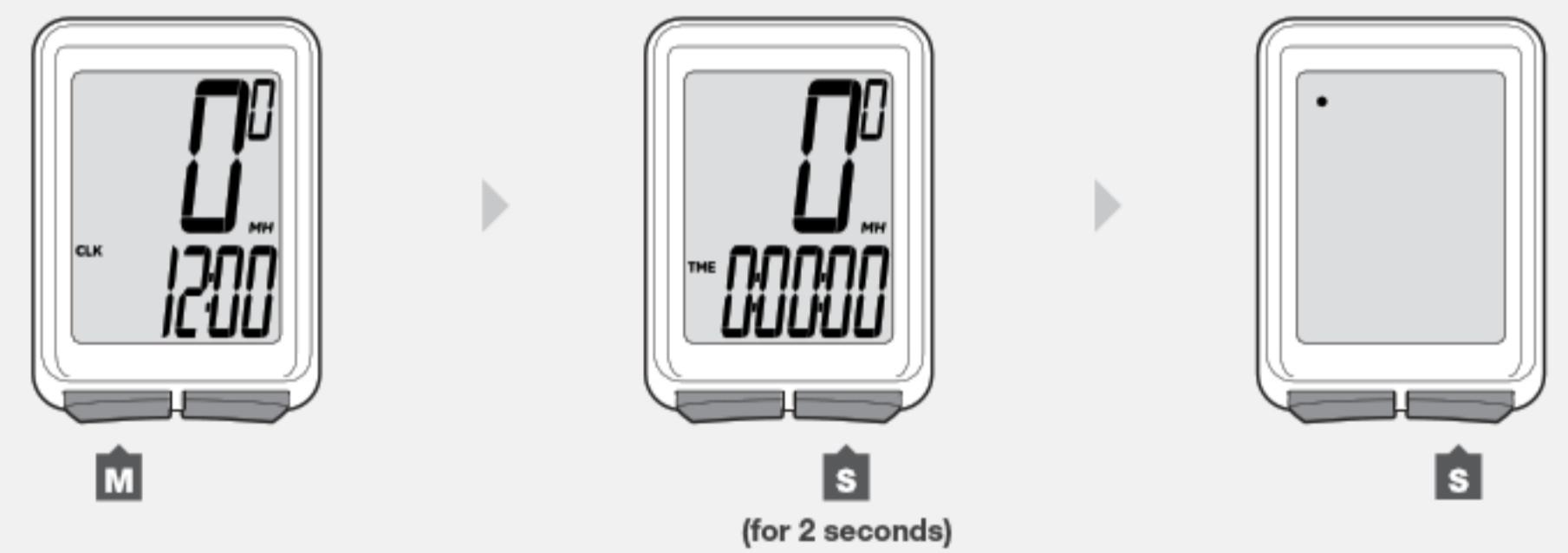


Figure 6. Measuring Roll-out.



1.

2.

3.



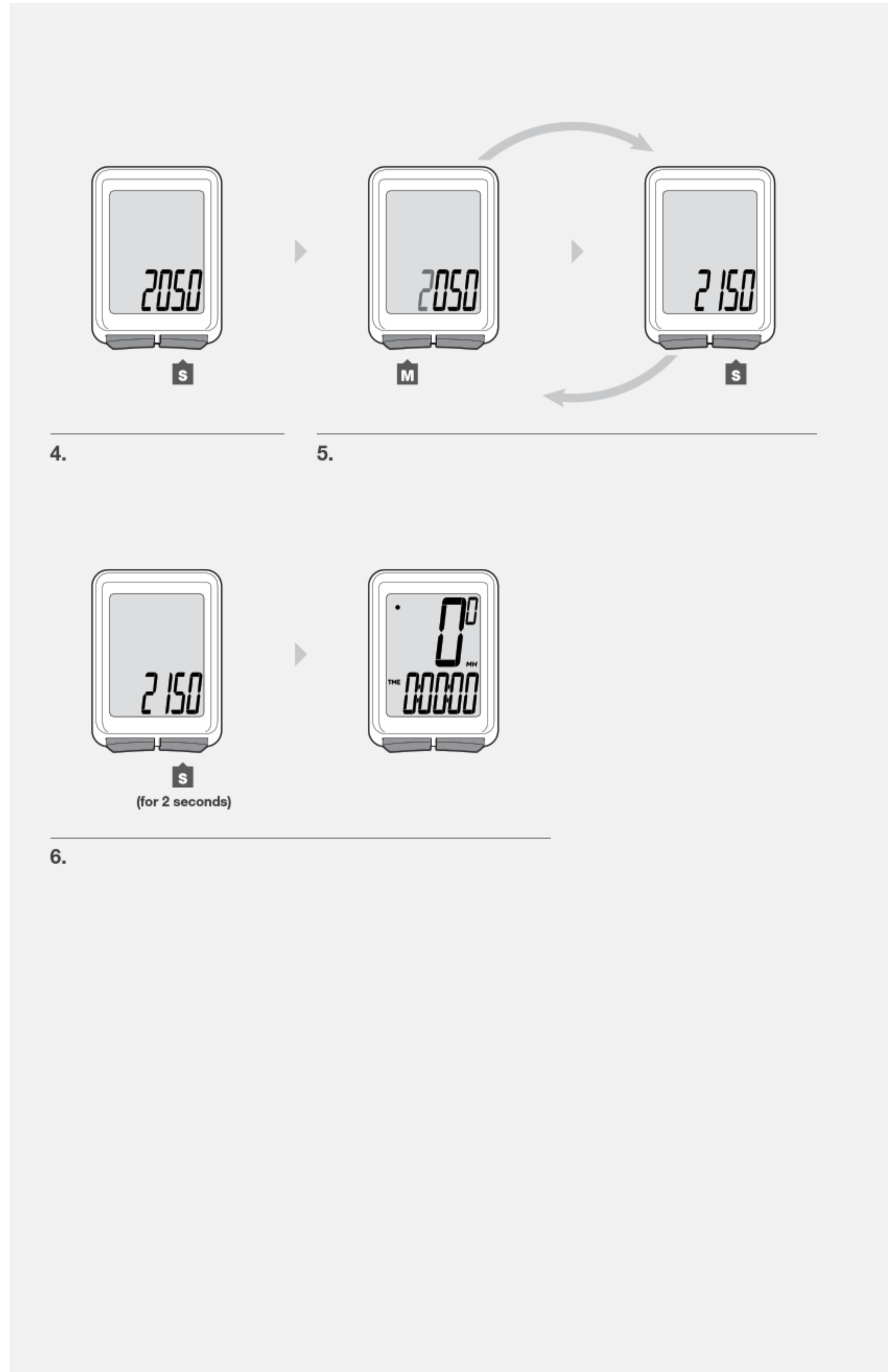
4. To select, press **S**.

5. To change the flashing digit, press **M**.

To select, press **S**.

Repeat step 5 for the other digits.

6. To save and exit, hold **S** for two seconds.  
*The Trip returns to the TME display.*



## Second Wheel Size (Trip 4W only)

The Trip 4W can store two different wheel sizes. The icon for Wheel 1 is a small circle (Figure 7). Wheel 2 is a partial circle surrounding the Wheel 1 icon (Figure 8).

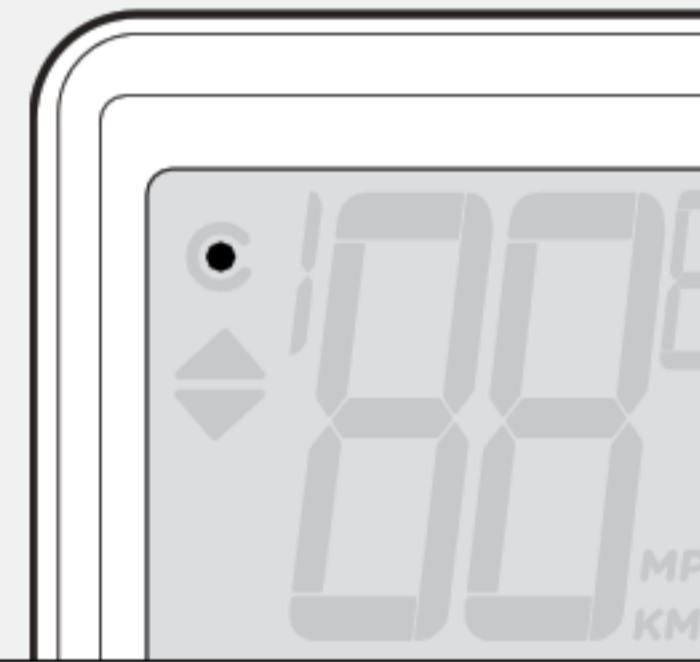


Figure 7. Wheel 1 Icon.

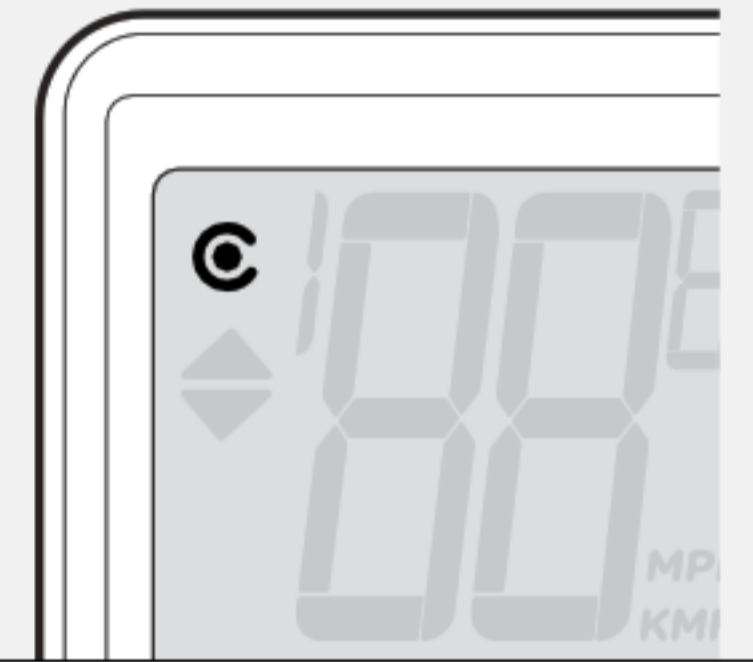


Figure 8. Wheel 2 Icon.

## To Set the Second Wheel Size

1. Scroll **M** to TME.
2. Hold **S** for two seconds.  
*The Wheel Selection icon appears.*
3. To change to Wheel 1 or Wheel 2, press **S**.



1.



(for 2 seconds)

2.



3.



4. To select, press **M**.

*The wheel size appears.*

5. To change the wheel size, press **M**.

6. To select, hold **S** for two seconds.

*To set a custom a wheel size, refer to the instructions listed earlier in the manual.*

## To Select the Wheel for Use

1. Scroll **M** to TRP.

2. Hold **M** for two seconds.



*(for 2 seconds)*

4.

5.

6.



*(for 2 seconds)*



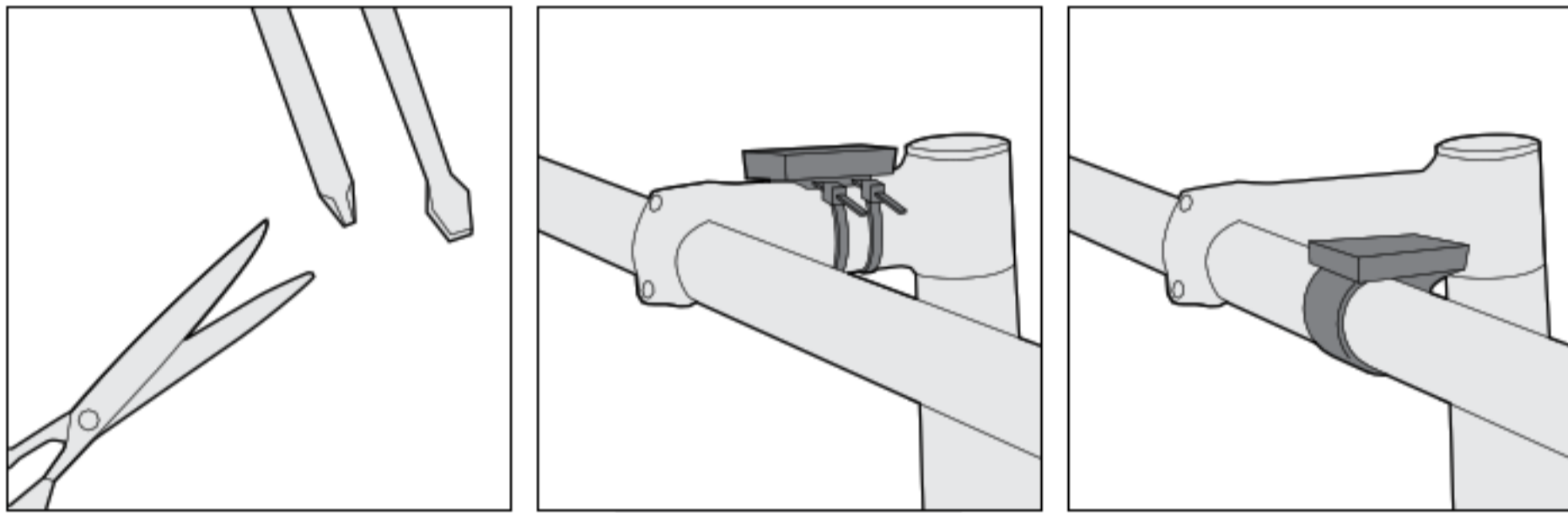
1.

2.



# Installation

## Trip 1 (wired)



### Handlebar Mount

<b>1</b>  22.0-26.0mm      31.8mm	<b>2</b> 	
<b>3</b> 	<b>4</b> 	<b>5</b> 

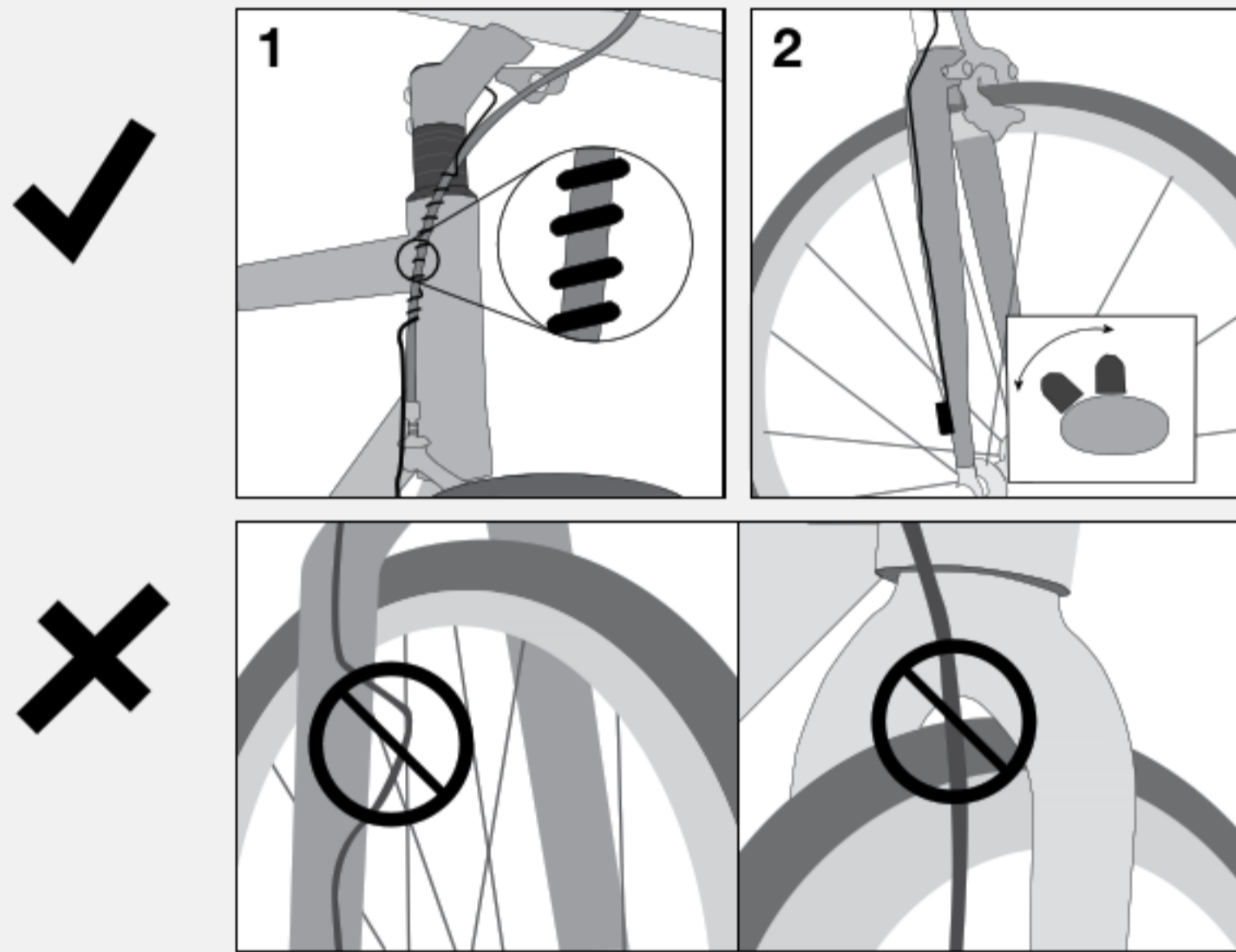
### Stem Mount

<b>1</b> 	<b>2</b> 	<b>3</b> 
<b>4</b> 	<b>5</b> 	<b>6</b> 

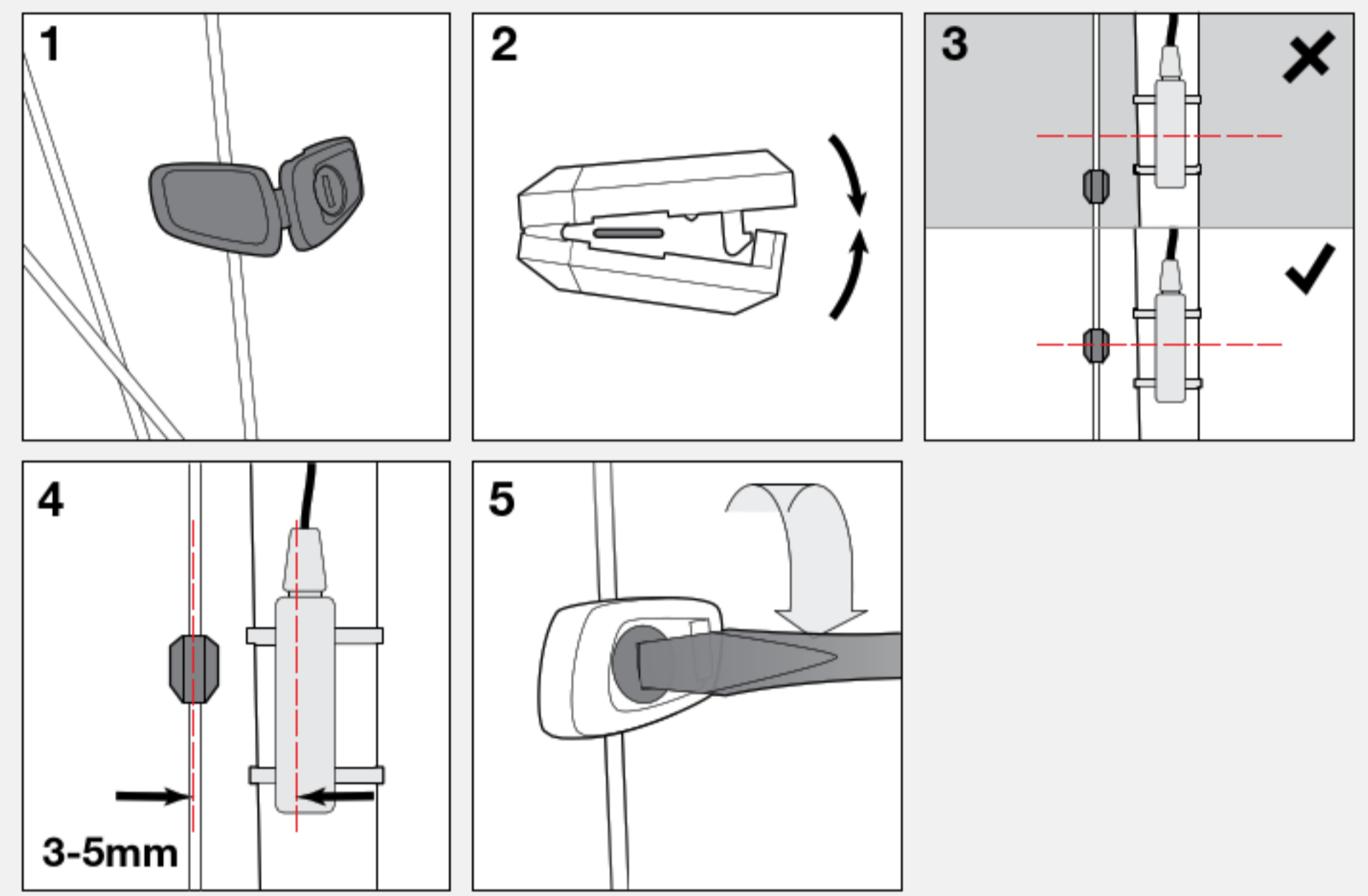


### Attach Wire

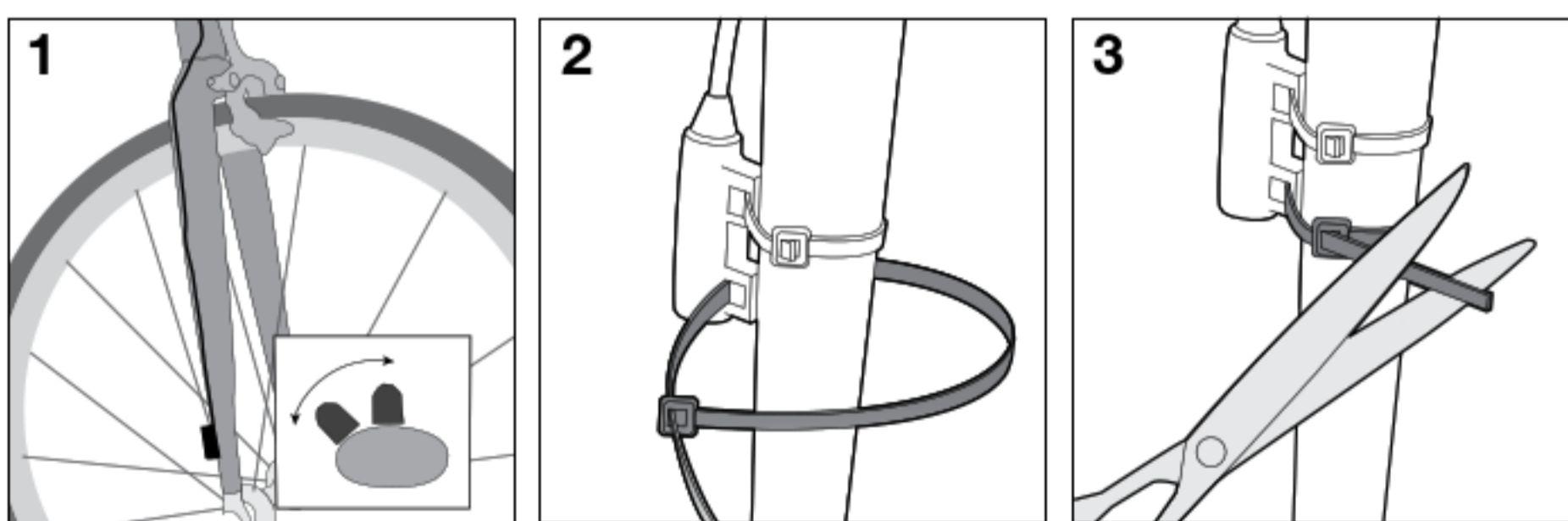
Make sure the computer wire cannot contact the tire, rim, or spokes. Contact with wires could damage the computer or cause you to lose control and fall.



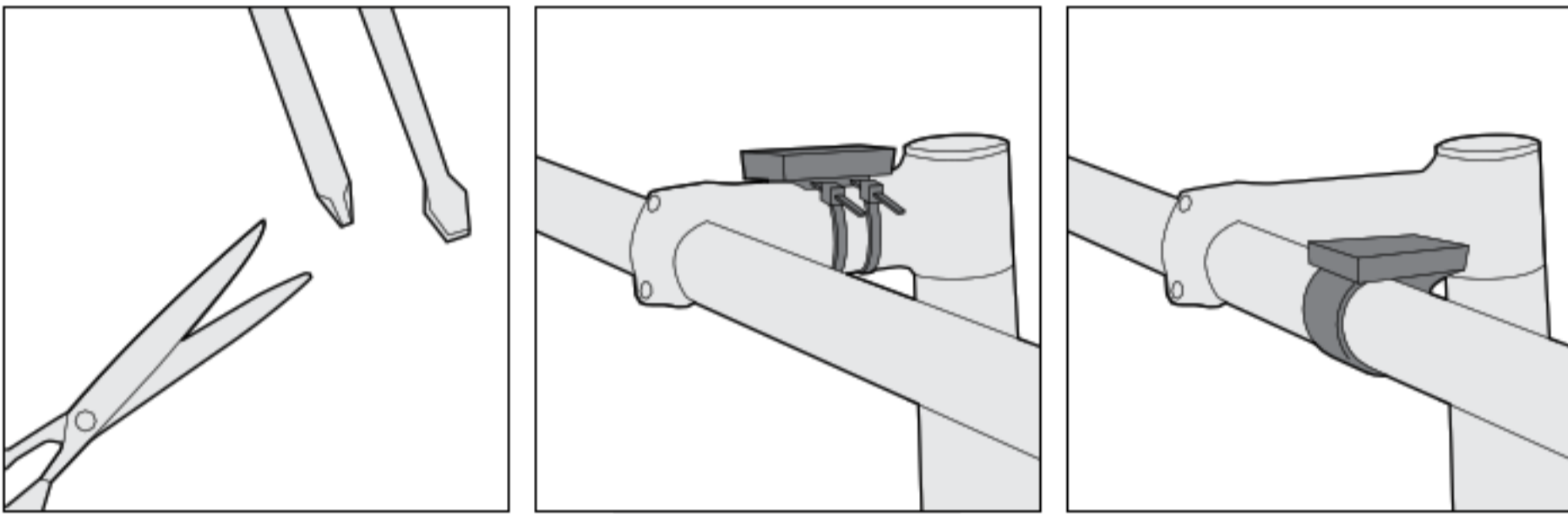
### Install Wheel Magnet



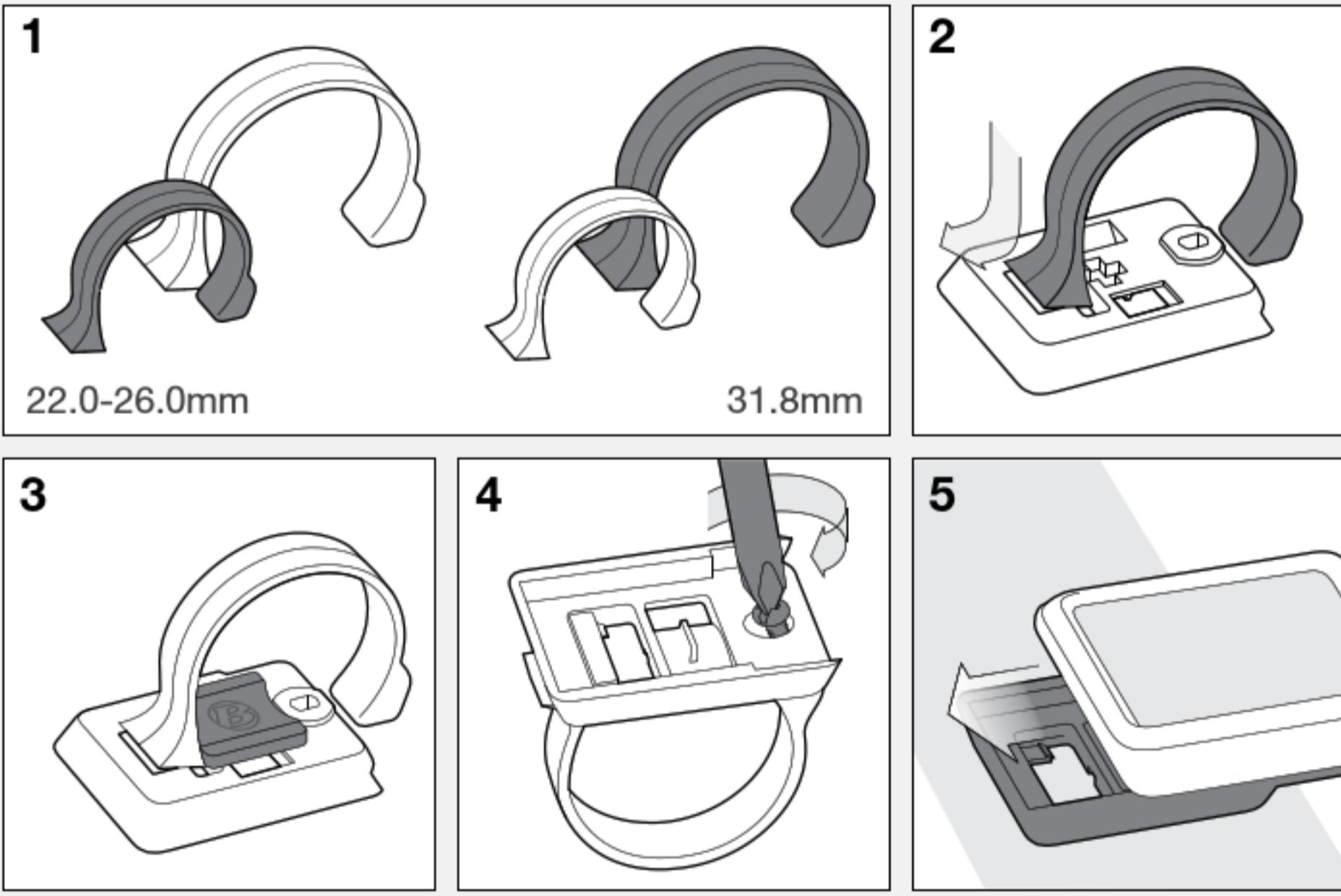
### Install Wheel Sensor



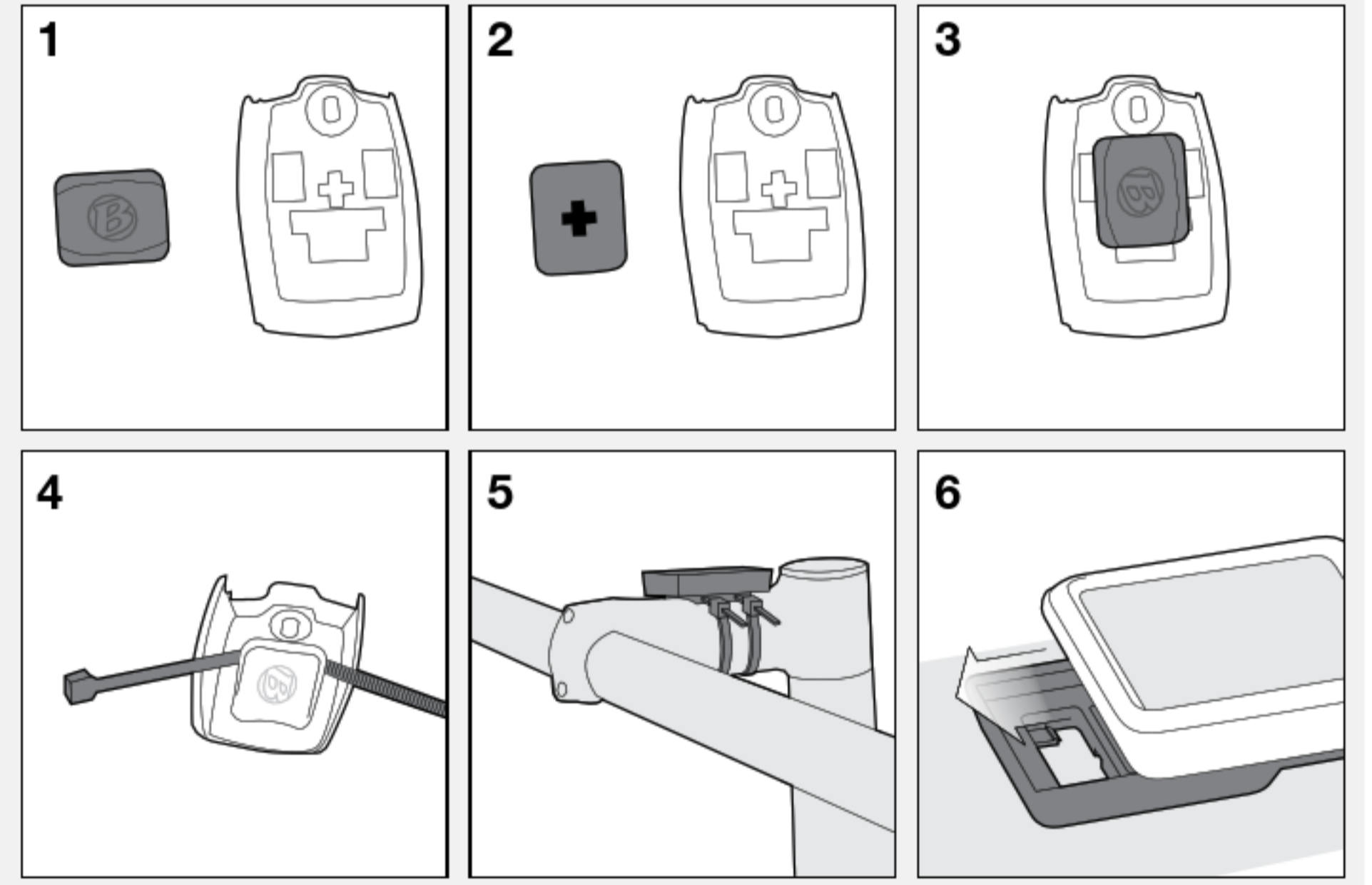
## Trip 4W (wireless)



### Handlebar Mount

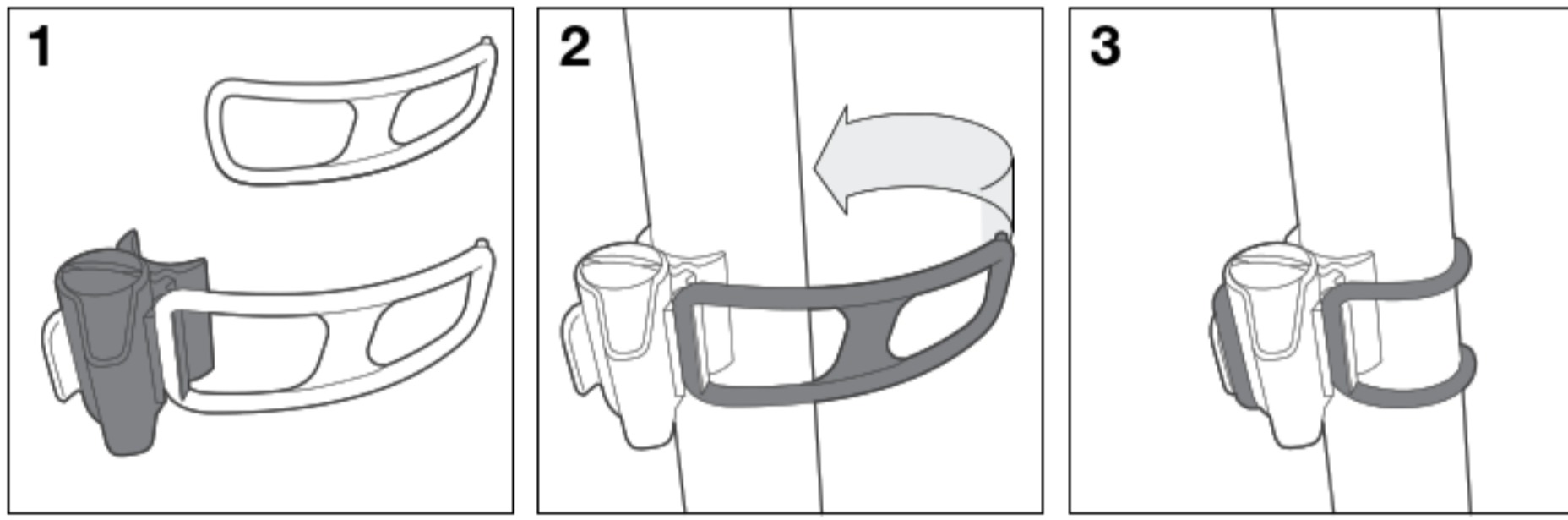


### Stem Mount

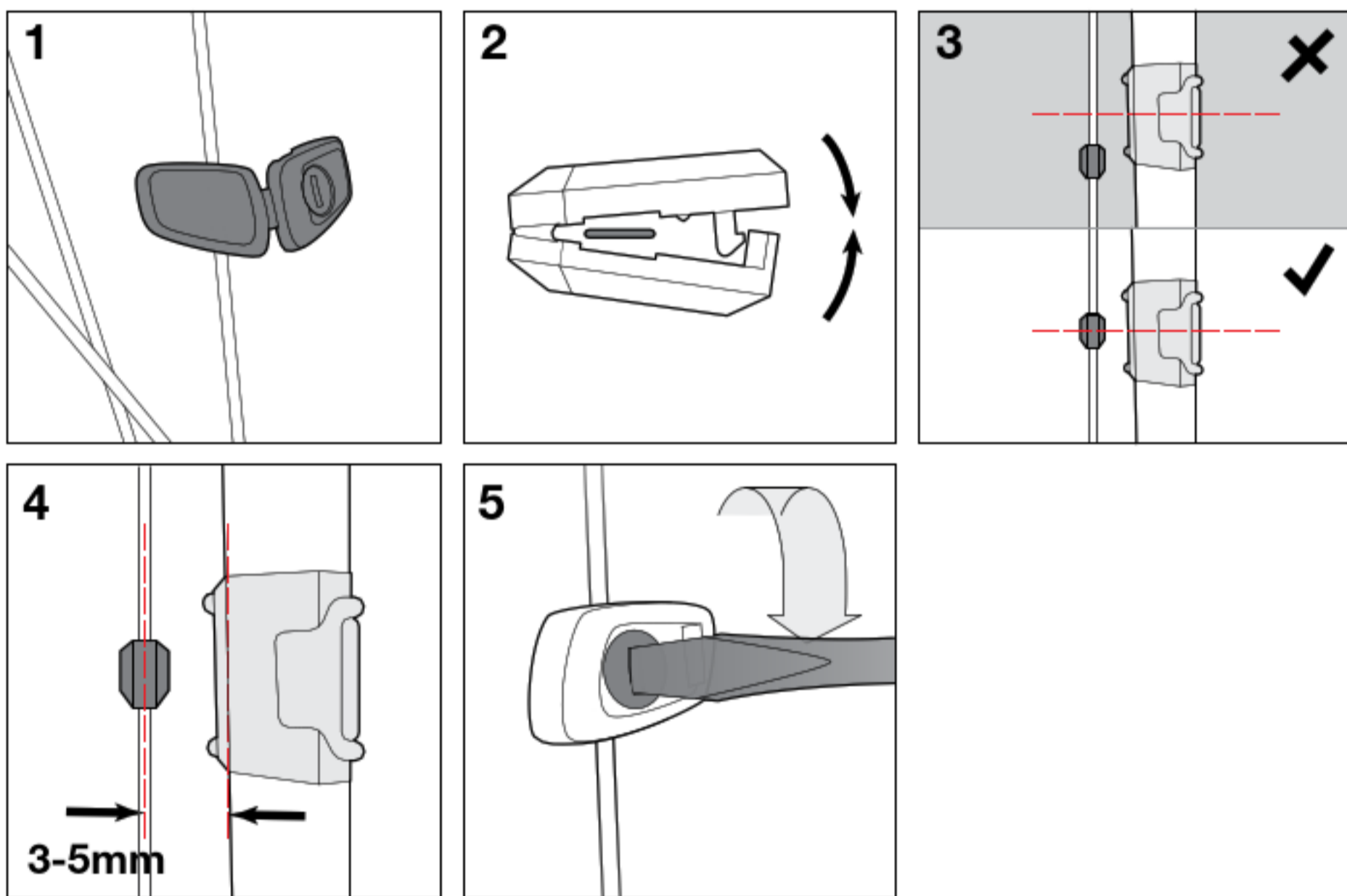




### Install Wireless Wheel Sensor



### Install Wheel Magnet



## Battery Maintenance

If the computer is giving erratic information, the battery may be running low. Replace the battery whenever the computer malfunctions, or every 6 months. When purchasing a new battery, it is best to take the old battery to the store with you. This is the battery type: CR2032, lithium cell, 3 volts.

When the battery is removed, the computer automatically resets function totals to zero. After installing a new battery, you can manually set your totals, but you must note those values before removing the battery.

### To Replace the Battery

1. Remove the computer from its base. Rotate the battery cover about one-quarter turn in a counter-clockwise direction (Figure 9). A coin or flat head screwdriver works well for this.
2. Lift the battery cover, exposing the battery. Be careful to avoid losing the rubber O-ring seal.
3. Remove the old battery.
4. Insert the new battery with the 'cross' and identifying label pointing up (Figure 10).
5. Replace the battery cover with O-ring seal and rotate clockwise one-quarter turn.

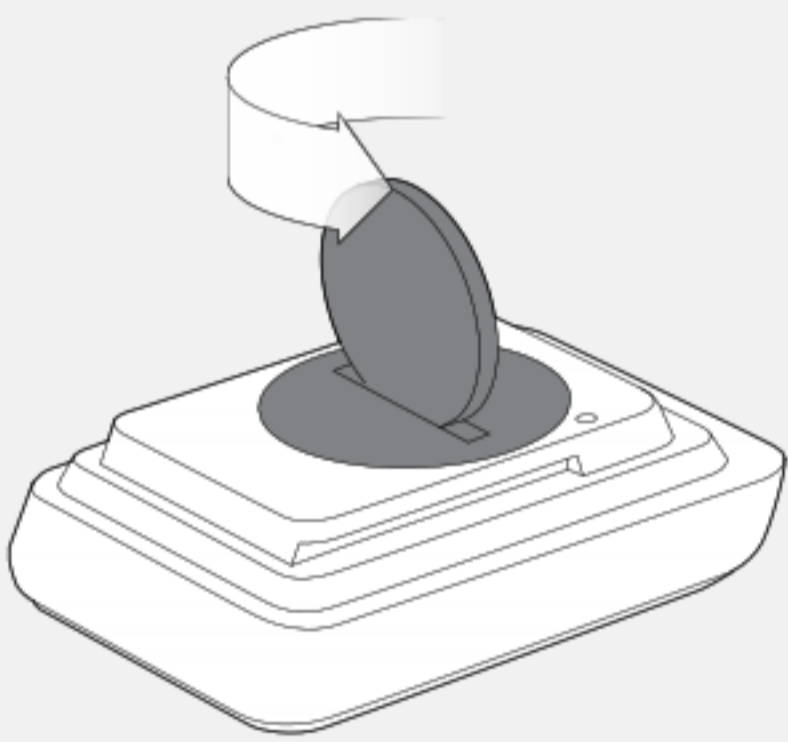


Figure 9. Removing the Battery Cover

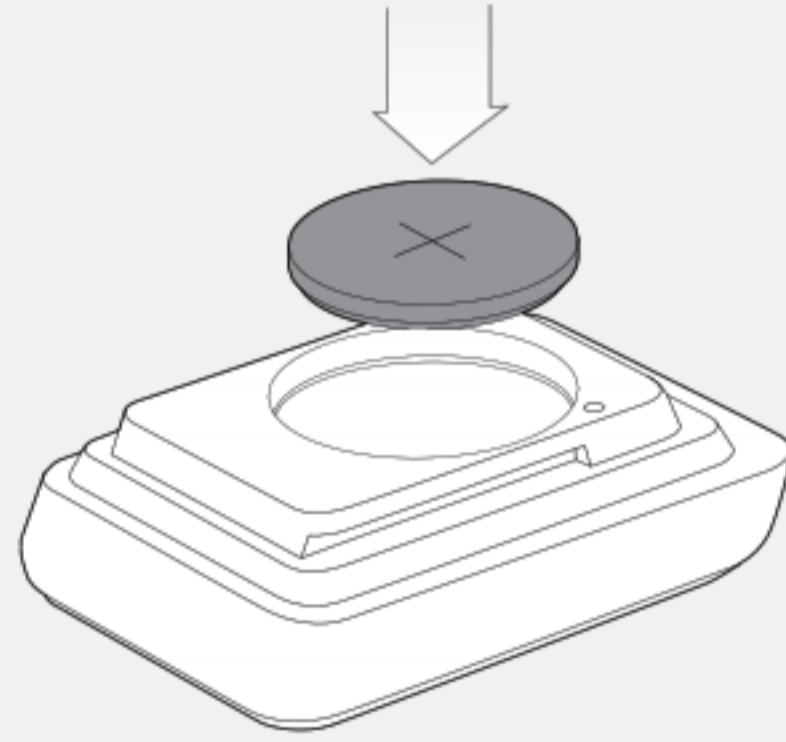


Figure 10. Insert the New Battery

## Reset

A Reset erases all data and settings. Before a Reset, you may wish to record the total miles (or kilometers) of the odometer so you can set the odometer to this number later during set up.

### To Perform a Reset

Hold the Reset button (AC) for two seconds (Figure 11). A ball point pen works well for this. The button is on the back of the computer.

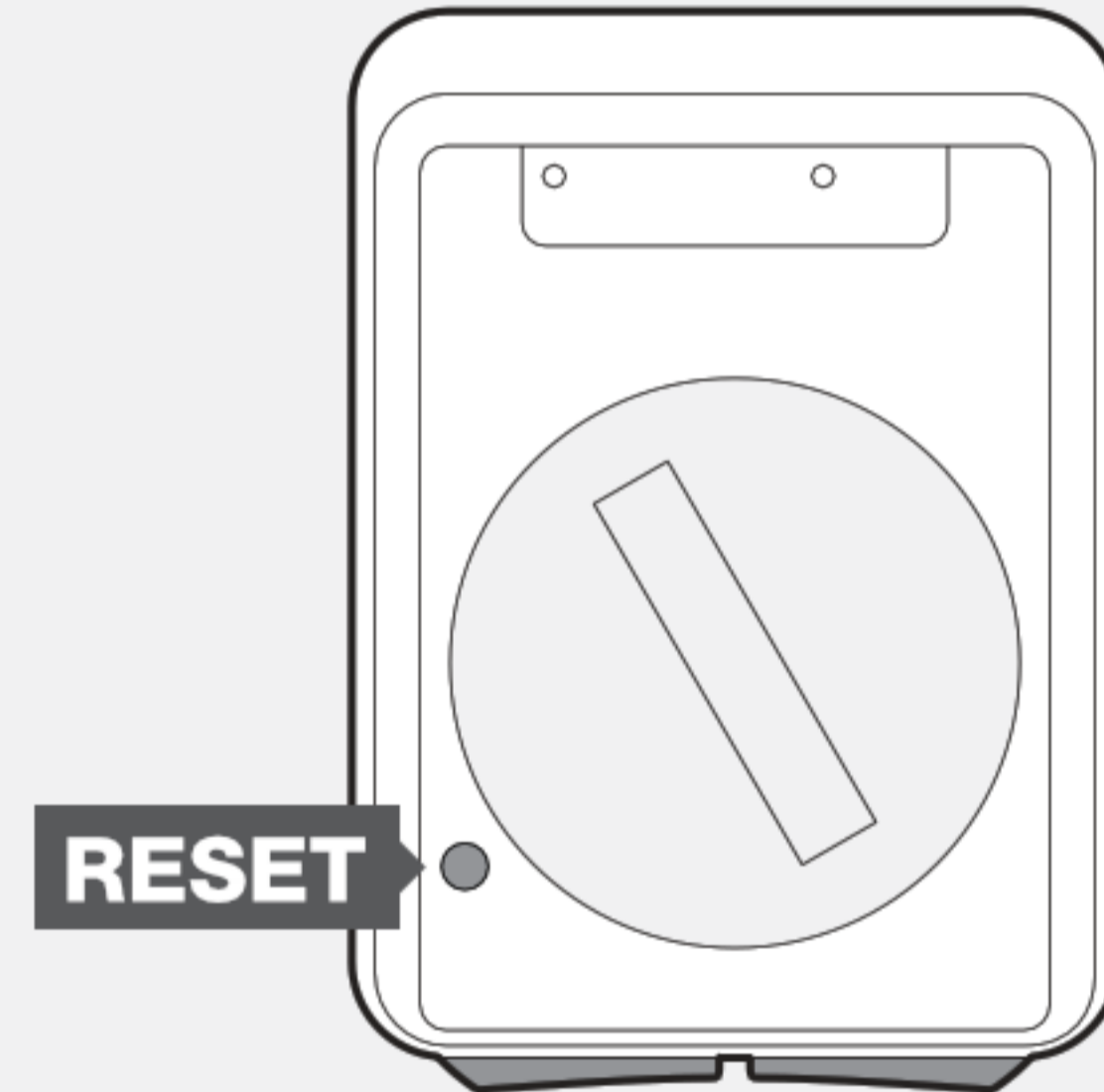


Figure 11. Reset Button

# Troubleshooting

If you experience a problem with your Trip computer, consult this guide for troubleshooting and solutions. Your local Bontrager Dealer can also assist you.

Symptom	Possible Causes	Solution
Display is blank	Battery is low, not installed, or installed incorrectly	Make sure battery is installed correctly; replace if necessary
Data is erratic	Magnet misaligned with—or too far away from—sensor	Readjust magnet and sensor placement
	Battery is low, not installed, or installed incorrectly	Make sure battery is installed correctly; replace if necessary
Current speed is missing	Magnet misaligned with—or too far away from—sensor	Readjust magnet and sensor placement
	Wireless sensor battery is low (Trip 4W only)	Replace battery in sensor
Speed is incorrect	Wheel size is incorrect	Reset wheel size
	Magnet misaligned with—or too far away from—sensor	Readjust magnet and sensor alignment

## Limited Warranty

See [bontrager.com](http://bontrager.com) or Bontrager dealer for detailed warranty information.

[www.bontrager.com](http://www.bontrager.com)

Bontrager & Bontrager B-Dot are registered trademarks of Trek Bicycle Corporation.  
©2007 Trek Bicycle Corporation, Waterloo, Wisconsin 53594 USA. All rights reserved.