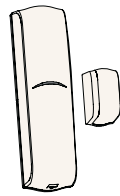


ISW-BMC1-M82X
ISW-BMC1-M82Y



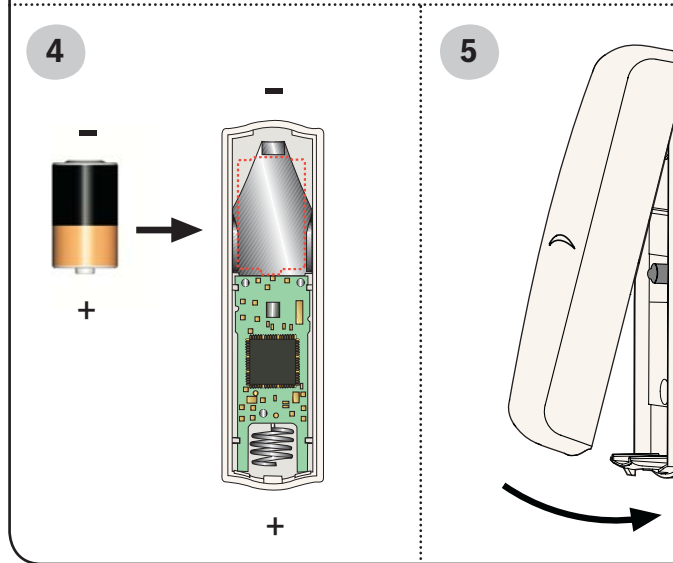
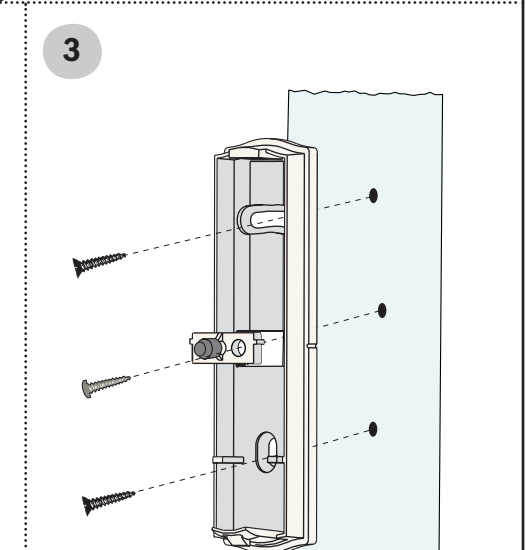
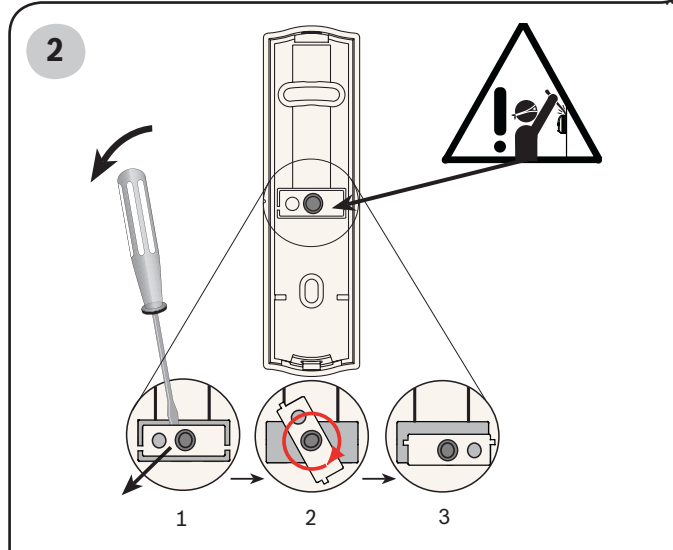
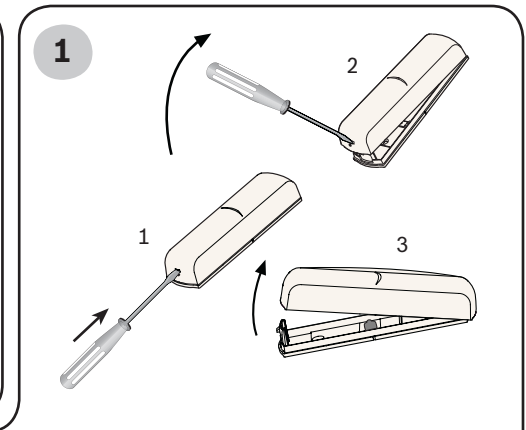
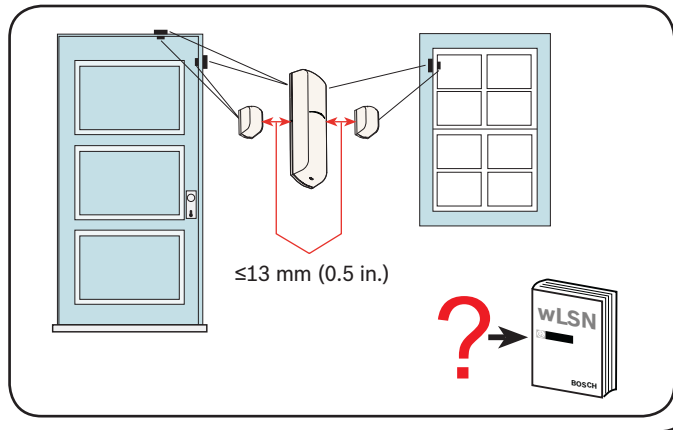
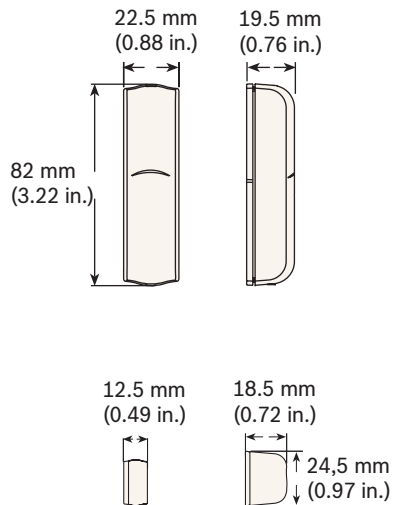
wLSN
Mini Door-Window Contact
Installation Instructions



ISW-BMC1-M82X
ISW-BMC1-M82Y

- 1 - P/N: F01U033460-01
- 1 - P/N: F01U033459-01
- 1 - P/N: F01U033458-01

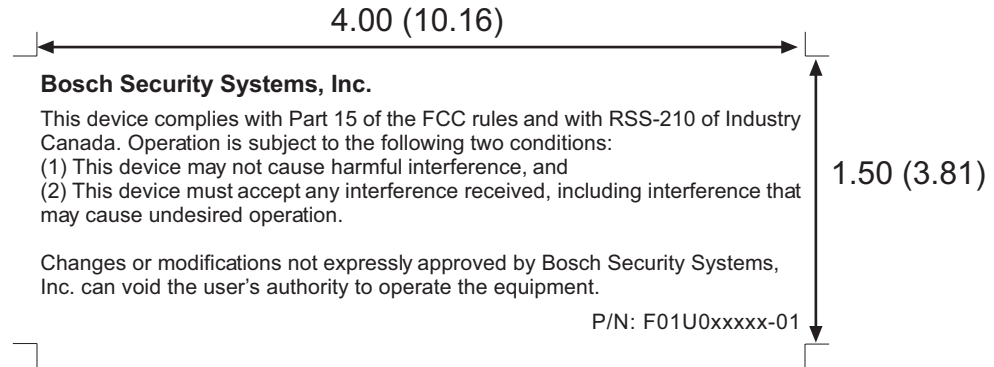
- 4 - P/N: 4998150399C
- 1 - P/N: 21901C
- 1 - P/N: 33039B
3V, CR2 Lithium
- 1 - P/N: F01U026892B




www.boschsecurity.com

© 2007 Bosch Security Systems, Inc.
 F01U011876-01a

VER	CP#	DATE	REVISION RECORD	DR	AUTH
01	X	8/13/07	ACCEPTED DRAWING	JF	PP

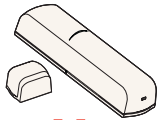


PROPRIETARY DATA
 DATA CONTAINED HEREIN SHALL NOT BE USED,
 DUPLICATED OR DISCLOSED IN WHOLE OR PART
 OUTSIDE OF BOSCH SECURITY SYSTEMS
 WITHOUT EXPRESSED WRITTEN PERMISSION OF SAME.

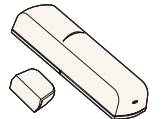
MATERIAL NO. F01U0xxxx			
BOSCH SECURITY SYSTEMS, INC. 130 PERINTON PARKWAY FAIRPORT, NEW YORK, 14450-9199 USA (585) 223 4060 FAX (585) 223 9180			 BOSCH
DRAWING TITLE			
wLSN Regulatory Insert			
DATE DRAWN: 8/13/07		DRAWN BY: J Freiberger	
DWG TYPE	DRAWING NUMBER	VERSION	SCALE
DRW	F01U0xxxx	01b	SHEET 1 OF 1

6-1

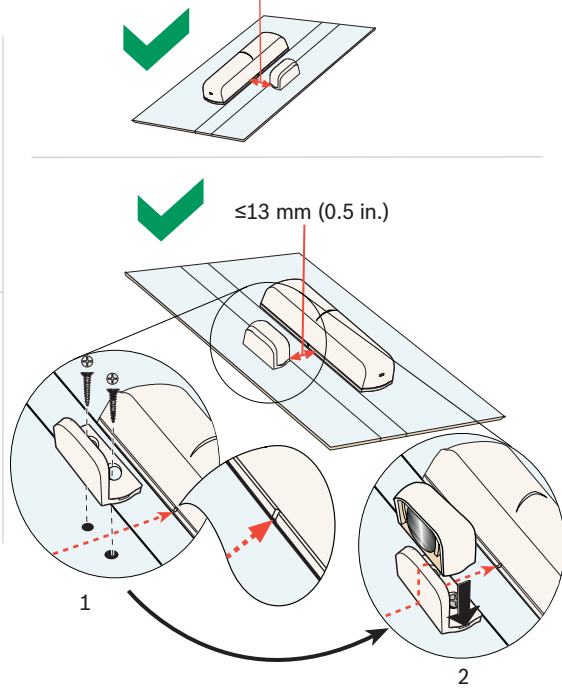
≤13 mm (0.5 in.)



X

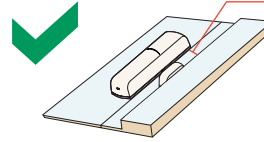


X

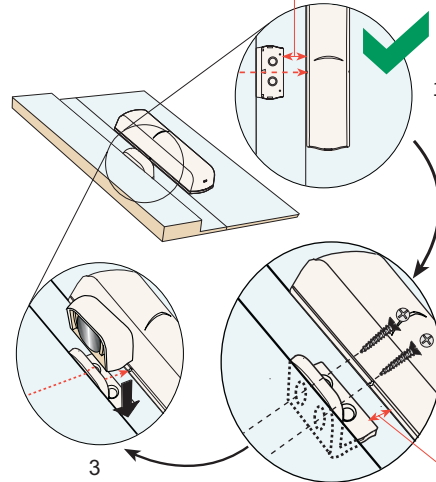


6-2

≤13 mm (0.5 in.)

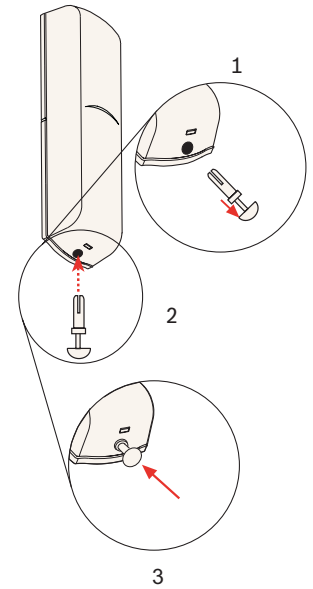


13 mm (0.51 in.)

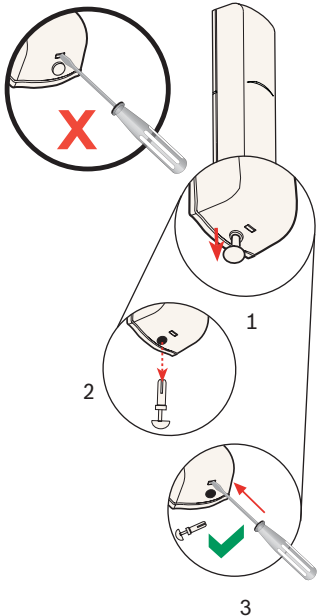


≤13 mm (0.5 in.)

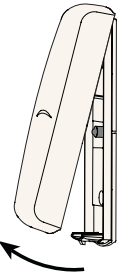
7



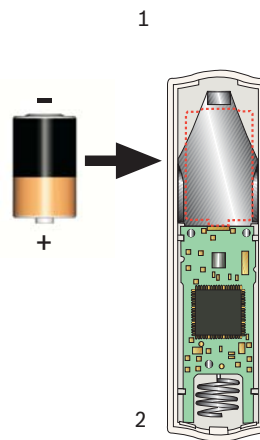
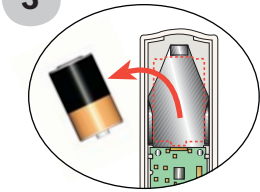
1



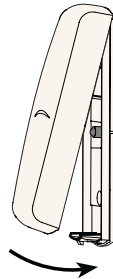
2



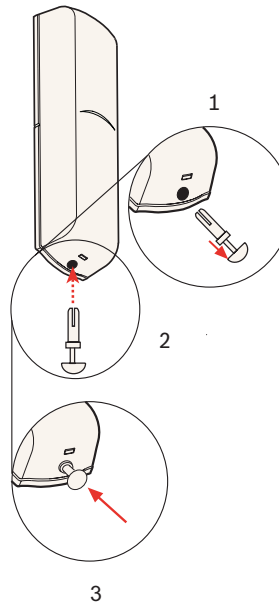
3



4



5



-10°C - +55°C(+14°F - +131°F)

UL: 0°C - +49°C (+32°F - +120°F)

Environmental Class II



<95%



868 MHz (ISW-BMC1-M82X)

915 MHz (ISW-BMC1-M82Y)

ISW-BMC1-M82X (868 MHz):



EN50131-1 Grade 2

ISW-BMC1-M82Y (915 MHz):

FCC, Part 15

IC: Industry Canada RSS-210

UL634: Standard for Connectors and Switches for Use with Burglar Alarm Systems

ULC C634-M1986: Standard for Connectors and Switches for Use with Burglar Alarm Systems

© 2007 Bosch Security Systems, Inc.
F01U011876-01a



Recyclable