

Changes or modifications not expressly approved by Bosch Security Systems, Inc. can void the user's authority to operate the equipment.

UL/C-UL

Use only a Listed Class 2 limited-power source. Standby power: The Listed control unit or a Listed burglary power supply must provide 4 hours of standby power.

Install the unit in accordance with National Electrical Code NFPA 70 and Part 1 of the Canadian Electrical code CSA C22.1.

Models ISC-CDL1-W15H & ISC-CDL1-W15K are not UL or C-UL Listed.

FCC

This device complies with part 15 of the FCC Rules, and Industry Canada licence-exempt RSS standard(s). Operation is subject to the following two conditions:

- (1) this device may not cause interference, and
- (2) this device must accept any interference, including interference that may cause undesired operation of the device.

Le présent appareil est conforme aux CNR d'Industrie Canada applicables aux appareils radio exempts de licence. L'exploitation est autorisée aux deux conditions suivantes :

- (1) l'appareil ne doit pas produire de brouillage, et
- (2) l'utilisateur de l'appareil doit accepter tout brouillage radioélectrique subi, même si le brouillage est susceptible d'en compromettre le fonctionnement.

Under Industry Canada regulations, this radio transmitter may only operate using an antenna of

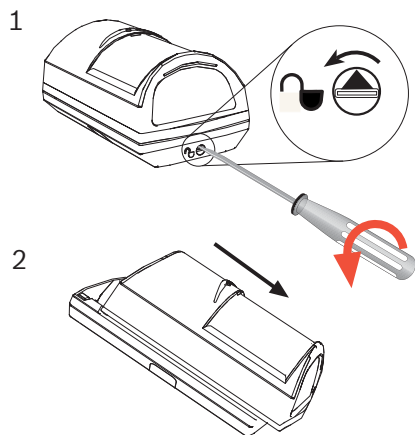
a type and maximum (or lesser) gain approved for the transmitter by Industry Canada. To reduce potential radio interference to other users, the antenna type and its gain should be so chosen that the equivalent isotropically radiated power (e.i.r.p.) is not more than that necessary for successful communication.

Conformément à la réglementation d'Industrie Canada, le présent émetteur radio peut fonctionner avec une antenne d'un type et d'un gain maximal (ou inférieur) approuvé pour l'émetteur par Industrie Canada. Dans le but de réduire les risques de brouillage radioélectrique à l'intention des autres utilisateurs, il faut choisir le type d'antenne et son gain de sorte que la puissance isotrope rayonnée équivalente (p.i.r.e.) ne dépasse pas l'intensité nécessaire à l'établissement d'une communication satisfaisante.

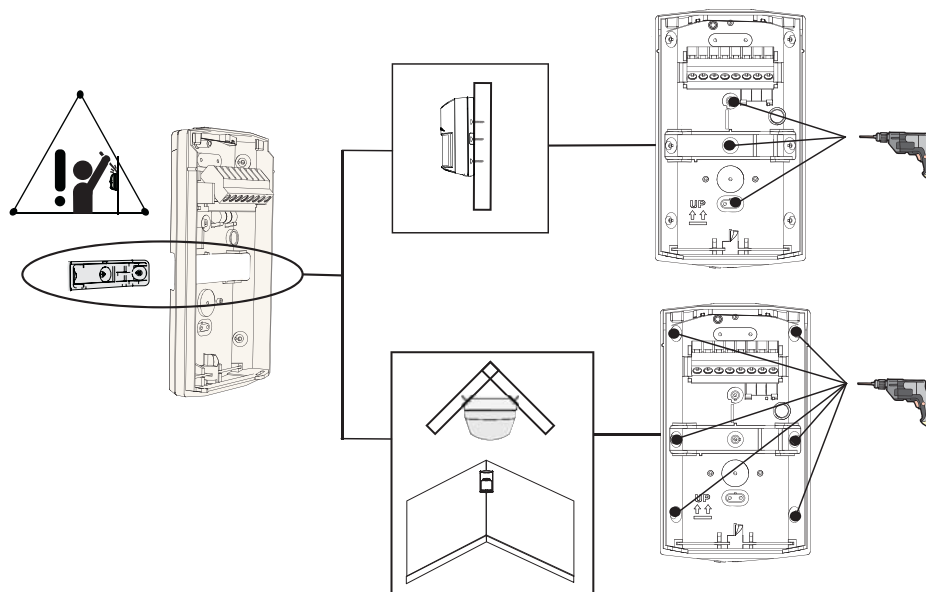
CE This product is intended for use in the following countries within the European Union and in other countries outside the European Union:
 ISC-CDL1-W15G (10.525 GHz): Austria, Belgium, Denmark, Finland, Greece, Italy, Luxembourg, Netherlands, Norway, Portugal, Spain, Sweden.
 ISC-CDL1-W15H (10.588 GHz): France, United Kingdom
 ISC-CDL1-W15K (9.35 GHz): Germany

Optional Brackets: B328, B338, B335
 A mounting bracket can reduce the detector's range and create dead zones. Not investigated by UL. Not EN50131 compliant. La certificazione IMQ decade nel caso di installazione del rilevatore con gli snodi opzionali.

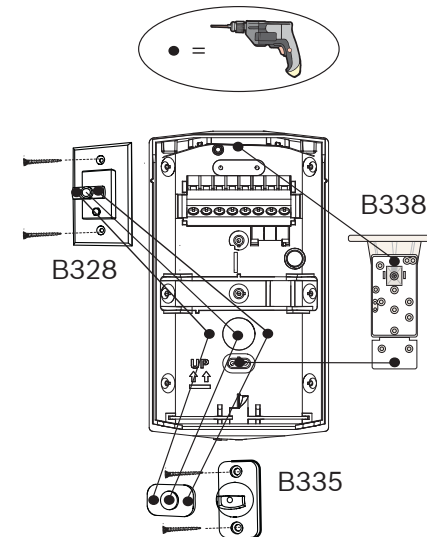
1 | Unlock and open



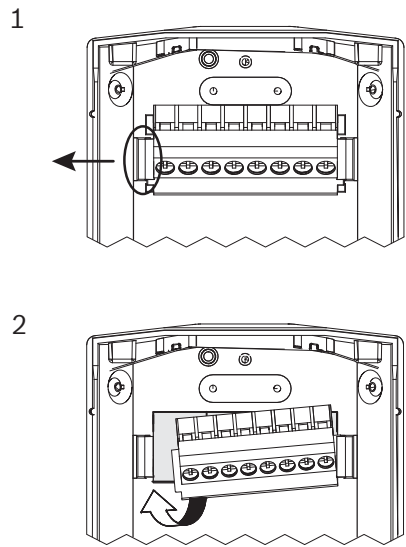
2 | Surface mount



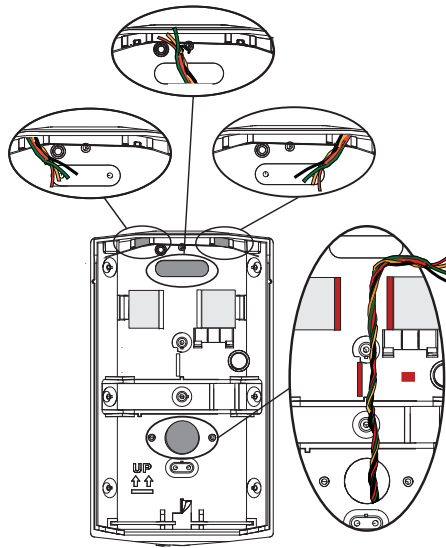
3 | Bracket mount (optional)



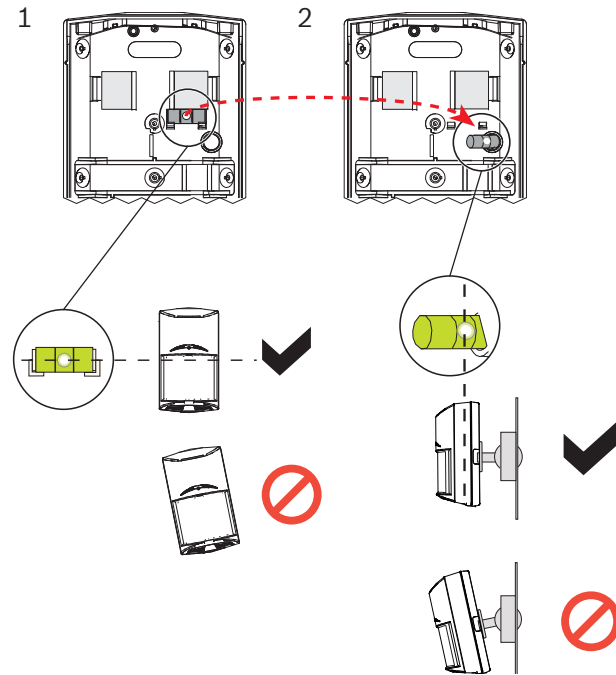
4 | Terminal block removal



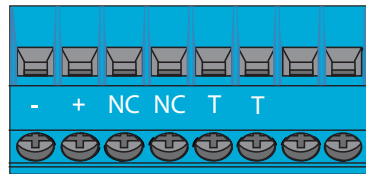
5 | Wire knock-out options



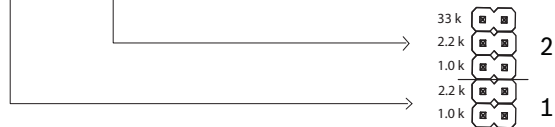
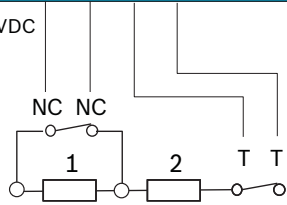
6 | Leveling



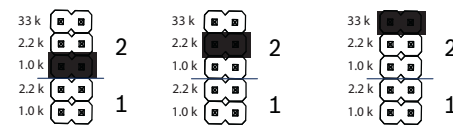
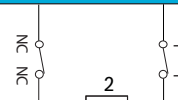
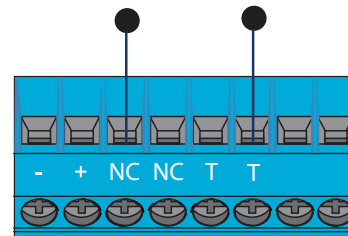
7 | Wiring



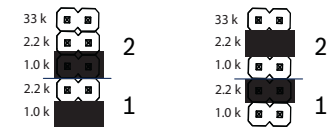
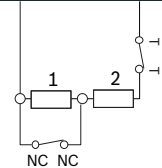
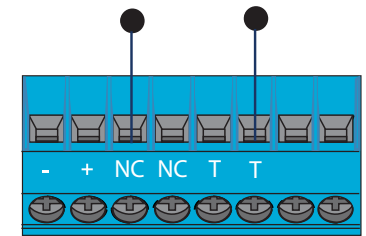
9 to 15 VDC



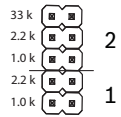
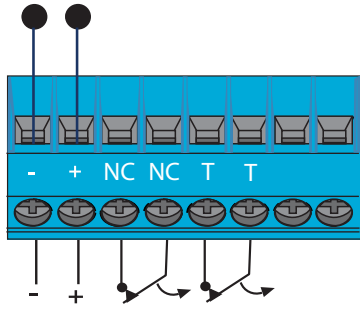
7a | Single EOL resistor



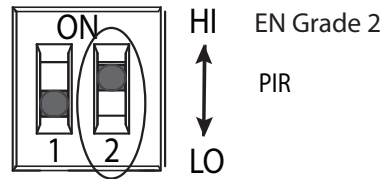
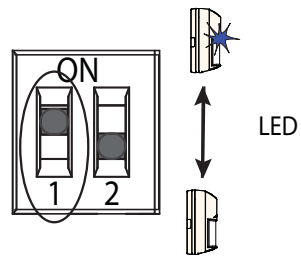
7b | Double EOL resistors



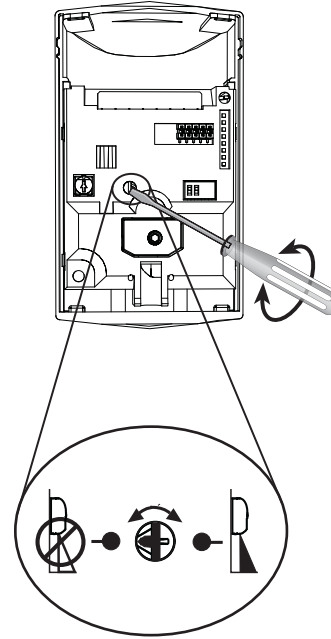
7c | No EOL resistors



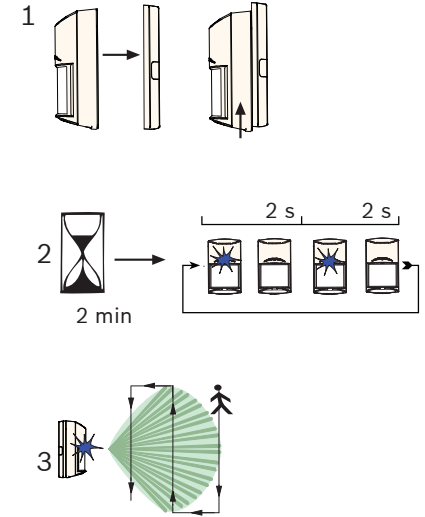
8 | DIP switches



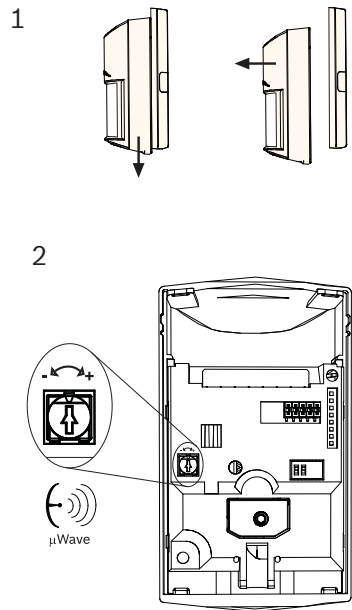
9 | Look-down feature



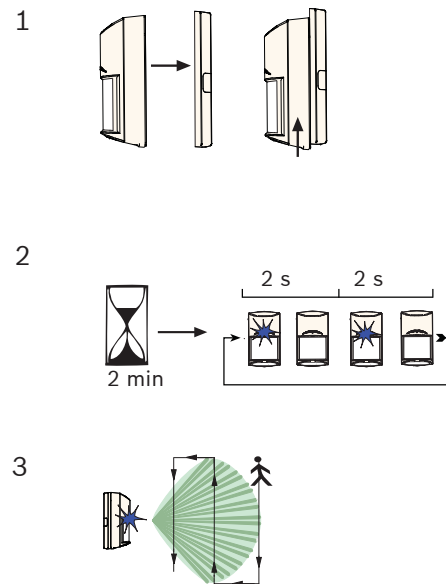
10a | Walk test





10b | Microwave adjustment



10c | Repeat walk test



11 | Certifications

Region	Agency	Certification
US	FCC	FCC Part 15 Class B
	UL	-W15G: Intrusion Detection Unit Type: S
Canada	CUL	-W15G: Intrusion Detection Unit Type: S
	IC	1249A-CDL1
Europe	CENELEC	EN 50131-2-4 EN 50130-5 Environmental Class II, Grade 2 / IP41 / IK04 (EN60529, EN 62262)
France	AFNOR/ CNPP 	NF&A2P (ISC-CDL1-W15H seulement) ISC-CDL1-WA15H Cert # xxxxxxxxxxxx RTC 50131-2-4 NF-324-H58 2 boucliers – 110P2 AFNOR Certification: www.afnor.org CNPP Cert.: www.cnpp.com Autosurveillance à l'ouverture Immunité champ magnétique
Germany	VdS	VdS Gxxxxxx Class B 2110EN Environmental Class 2
Belgium	ANPI/ INCERT	INCERT B-509-00xx/a: (ISC-CDL1-W15G)
Australia	ACMA 	RCM
Italy	IMQ	Certificato IMQ sistemi di sicurezza 3° livello di prestazione secondo CEI79-2:1998 + Ab:2000 (modello W15G)
Sweden	SBSC	For svensk installationsanvisning se www.boschsecurity.se

Copyright

This document is the intellectual property of Bosch Security Systems, Inc. and is protected by copyright. All rights reserved.



Trademarks

All hardware and software product names used in this document are likely to be registered trademarks and must be treated accordingly.

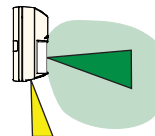
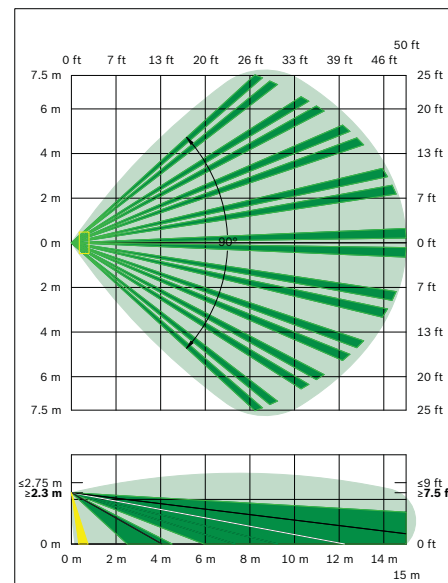
Bosch Security Systems, Inc. product manufacturing dates

Use the serial number located on the product label and refer to the Bosch Security Systems, Inc. website at <http://www.boschsecurity.com/datecodes/>.

12 | Specifications

Voltage (operating)	9 to 15 VDC, 9-15 V  9-15 Vcc de 10 à 15 mA @ 12 Vcc en veille/en alarme, source limitée en puissance, ondulation résiduelle 1 V.
Current (maximum)	<35 mA
Alarm relay / Tamper	≤100 mA, 25 V  , 2.5W
Operating temperature	-30°C to +55°C (-22°F to +130°F) UL 0°C to +49°C (+32°F to +120°F) AFNOR/CNPP -10°C to +55°C
Relative humidity	95% non-condensing UL and C-UL 93%

13 | Coverage pattern



Commercial Series

TriTech detectors

ISC-CDL1-W15G,
ISC-CDL1-W15H, ISC-CDL1-W15K



en Installation Guide

Bosch Security Systems, Inc.

130 Perinton Parkway
Fairport, NY 14450
USA

www.boschsecurity.com

Bosch Sicherheitssysteme GmbH

Robert-Bosch-Ring 5
85630 Grasbrunn
Germany