

15 DCN-MICL, DCN-MICS Pluggable Microphones

15.1 Introduction

The DCN-MICL and DCN-MICS Pluggable Microphones (refer to table 15.1 and table 15.2) are used with the contribution and interpretation devices (refer to table 15.3).

table 15.1: Types and lengths

Type	Length (mm)
DCN-MICS	310
DCN-MICL	480

table 15.2: Electrical and acoustic properties

Nominal level:
85 dB SPL
Maximum level:
110 dB SPL at < 3% THD
Transducer type:
Electret
Directional pattern:
Cardioid
Equivalent input noise level:
24 dB(A)
Power consumption:
0.25 W

table 15.3: Compatible devices

Type	Description
DCN-WD	Wireless Discussion Unit
DCN-WDD	Wireless Discussion Unit
DCN-WDV	Wireless Discussion Unit
DCN-IDESK	Interpreter Desk
DCN-FMIC	Microphone control panel

15.2 Controls, connectors and indicators

The pluggable microphone (refer to figure 15.1) contains:

- 1 **Indicator ring** - Shows the condition of the microphone (refer to section 15.4).
- 2 **Union nut** - Attaches the pluggable microphone to the device.
- 3 **Microphone plug** - Connects the microphone to devices (refer to section 15.3).

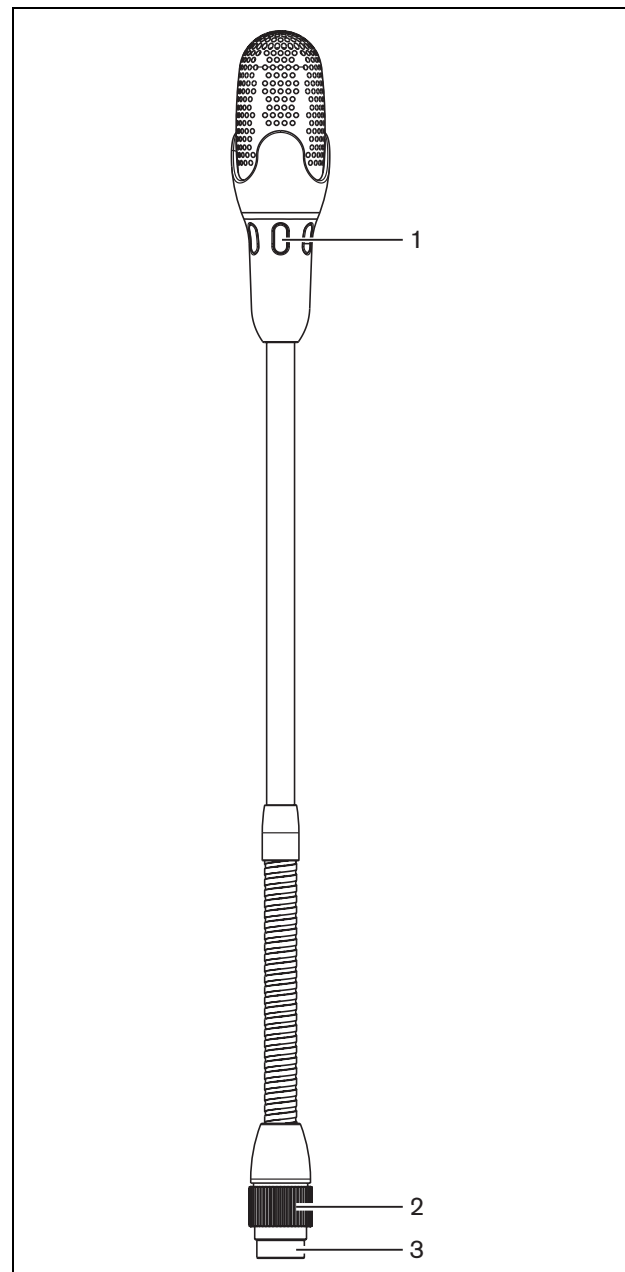


figure 15.1: Overview

15.3 External connections

Connect the pluggable microphone to compatible devices with the microphone plug (refer to figure 15.2).

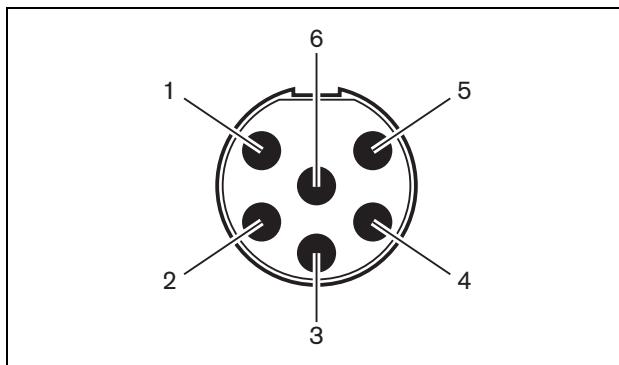


figure 15.2: Microphone plug, connection

table 15.4: Microphone plug, connection

Pin	Signal
1	Indicator ring, red (cathode)
2	Indicator ring common (anode)
3	Microphone signal +
4	Microphone GND
5	Shielding
6	Indicator ring, green (cathode)

15.4 Operation

The color of the indicator ring shows the condition of the microphone (refer to table 15.5).

table 15.5: Condition

Color	Condition
Red (on)	Microphone active
Red (flash)	Last minute of speech time
Green (on)	Request-to-speak
Green (flash)	First request



Note

When the microphone is connected to a DCN-IDESK, it can only show that the microphone is activated.


16 DCN-WLIION Battery Pack

16.1 Introduction

The DCN-WLIION Battery pack is used with the wireless devices (refer to table 16.4).

table 16.1: Battery capacity

Output voltage:	7.2 V(DC)
Capacity:	4600 mAh
Life time:	500 charge-discharge cycles
Charge time:	3 hours



Caution
Use the DCN-WCH05 Battery Charger to charge DCN-WLION Battery Packs.

table 16.2: Compatible devices

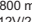
Type	Description
DCN-WD	Wireless Discussion Unit
DCN-WDD	Wireless Discussion Unit
DCN-WDV	Wireless Discussion Unit


16.2 Safety

DCN-WLIION-D Rechargeable Lithium-ion Battery Pack










CAUTION Important Safety Instructions for Li-ion batteries.
Do not short-circuit the battery.
Do not pierce or crush the battery.
Do not disassemble or modify the battery.
Do not heat, incinerate or expose the battery to direct continuous sunshine.
Do not immerse the battery in any liquid it may be vent or rupture.
Respect charging, discharging, transport and storage instructions.
Charge the battery between 0 °C and 45 °C (32°F and 113°F).
Discharge the battery between -20 °C and 60 °C (-4°F and 140°F).




BOSCH

Rated : 7.2V  4800 mAh
Charging Current : 12V/2.5A



 LISTED US ITE ACCESSORY 19/JW


NL-4827HG-10

 **Li-ion**









M П 04



S/N: SMYYW09999

figure 16.1: Safety instructions

16.3 Controls, connectors and indicators

The battery pack (refer to section figure 16.2) contains:

- 1 **Capacity LEDs** - Show the capacity of the battery pack (refer to section 16.5).
- 2 **Clip** - Locks the battery pack in, for example, a wireless discussion unit.

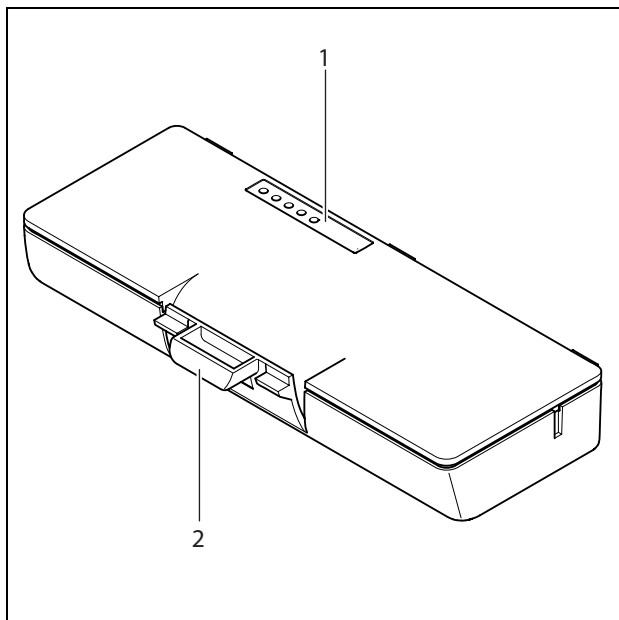


figure 16.2: Overview

16.4 Installation

Install the charged battery pack in a compatible device (refer to table 16.2).

table 16.3: Physical characteristics

Dimensions (h x w x d):

136 x 22 x 64.5 mm

Weight:

230 g

16.5 Operation

To enable the capacity LEDs, press the button next to the LEDs. The higher the capacity, the higher the number of capacity LEDs that come on (refer to table 16.4).



Note

The battery capacity in table 16.4 is plus or minus 20%.

table 16.4: Capacity LEDs

No. LEDs on	Battery capacity (hours)
5	18 - 20
4	13 - 18
3	8 - 13
2	3 - 8
1	< 3

17 DCN-WCH05 Battery Charger

17.1 Introduction

The DCN-WCH05 Battery Charger charges the DCN-WLIION Battery Packs. The battery charger can charge a maximum of 5 battery packs at the same time.

17.2 Controls, connectors and indicators

17.2.1 Front view

The front of the battery charger (refer to figure 17.1) contains:

- 1 **Ventilation grilles** - Make sure that the temperature of the battery charger does not become too high.
- 2 **Battery pack containers** - Hold the DCN-WLIION Battery Packs.
- 3 **Charge level LEDs** - Show the charge level of the battery pack (refer to section 17.5).
- 4 **Power on/off LED** - Comes on when the power cable is connected to the mains power supply.

17.2.2 Rear view

The rear of the battery charger (refer to figure 17.1) contains:

- 5 **Power inlet** - Connects the battery charger to the mains power supply with a power cable (refer to section 17.4.1).
- 6 **Loop-through socket** - Connects the battery charger to another battery charger with a power cable (refer to section 17.4.2).

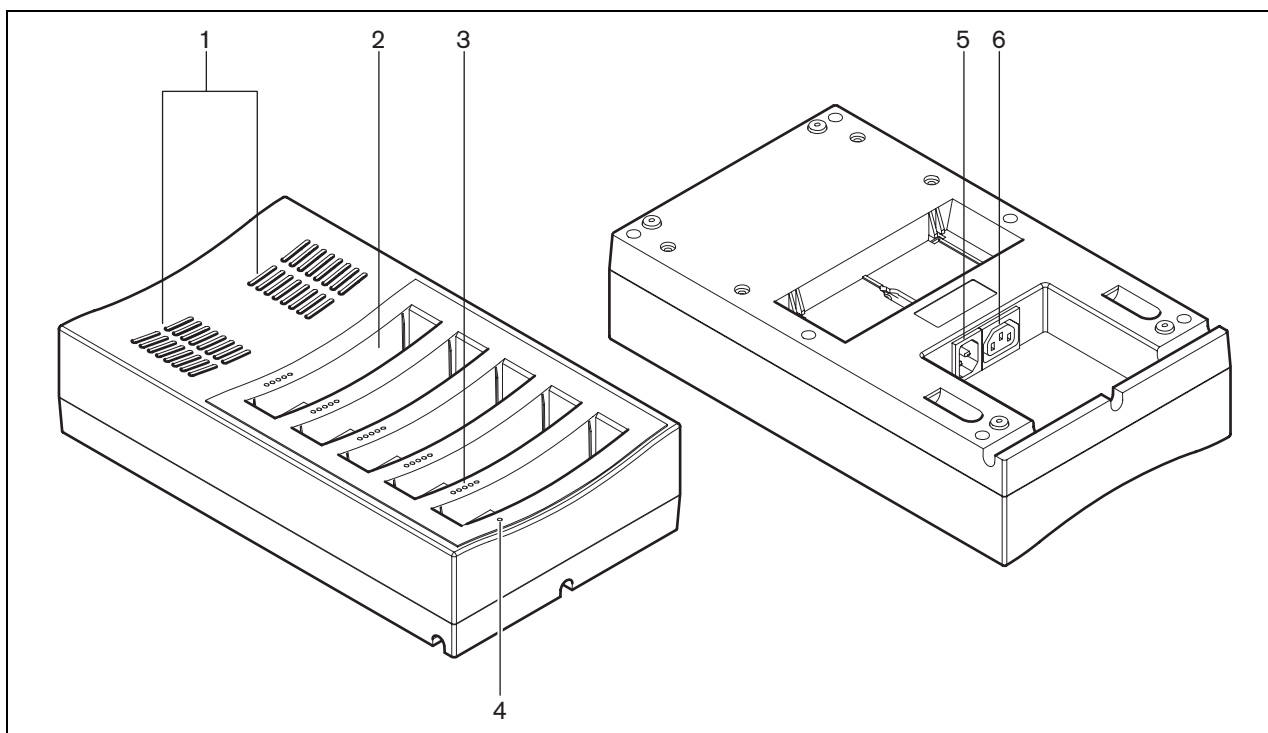


figure 17.1: Overview

17.3 Installation

17.3.1 General



Warning

Do not open the battery charger. Electrical discharges from the battery charger can kill you.



Caution

Do not obstruct the ventilation grilles. A blockage of the ventilation grilles can cause a risk of fire.

table 17.1: Physical characteristics

Dimensions (h x w x d):

340 x 195 x 82 mm

Weight:

1.4 kg

17.3.2 Wall

You can use the bracket to attach the battery charger to a wall. Refer to figure 17.2.

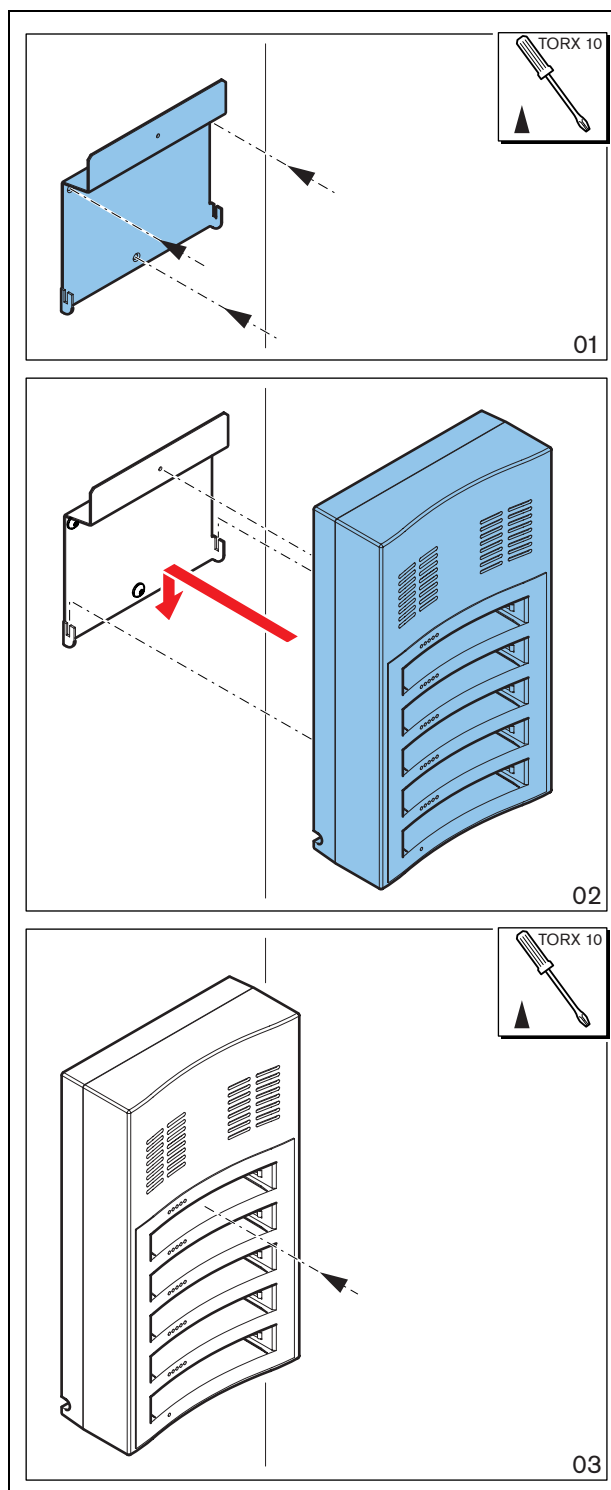


figure 17.2: Installation, wall

When you attach more than one battery charger to the wall, you must make sure that:

- The vertical distance between two brackets is at least 340 mm (refer to d_1 in figure 17.2).
- The horizontal distance between two brackets is at least 195 mm (refer to d_2 in figure 17.2).

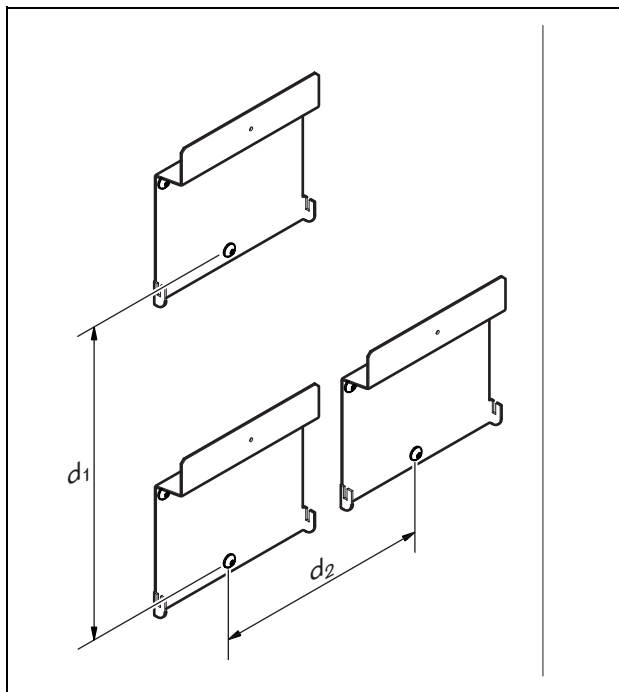


figure 17.3: Installation, multiple battery chargers

17.3.3 Battery

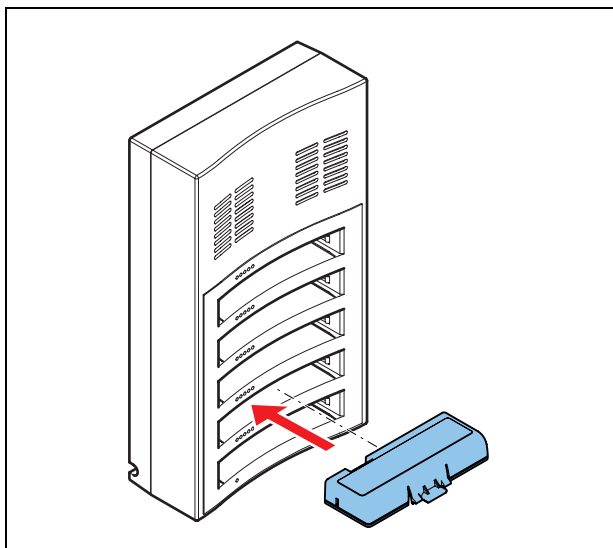


figure 17.4: Installation, battery

17.4 External connections

17.4.1 Power inlet

Connect a locally approved power cable to the battery charger (refer to figure 17.5).

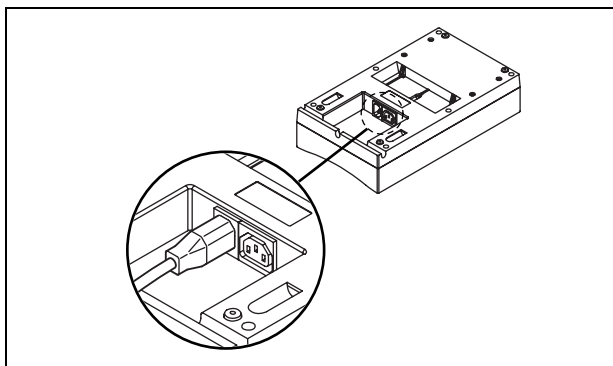


figure 17.5: Power inlet

17.4.2 Loop-through socket

With the loop-through socket, you can connect battery chargers in series.

- If the power supply is 100 - 127 V(AC), 50 - 60 Hz, you can connect a maximum of 5 battery chargers in series.
- If the power supply is 220 - 240 V(AC), 50 - 60 Hz, you can connect a maximum of 10 battery chargers in series.

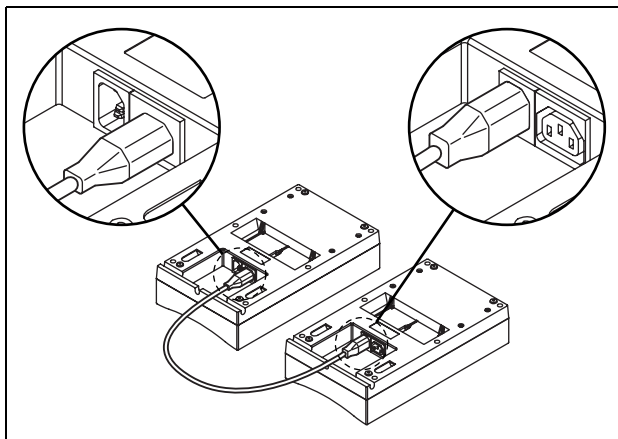


figure 17.6: Loop-through socket

17.5 Operation

The higher the capacity, the higher the number of charge level LEDs that come on (refer to table 16.4).



Note

The accuracy of the battery capacity in table 16.4 is plus or minus 20%.

table 17.2: Charge level LEDs

No. LEDs on	Battery capacity (hours)
5	18 - 20
4	13 - 18
3	8 - 13
2	3 - 8
1	< 3

18 DCN-WPS Power Supply Adapter

18.3 External connections

Connect the power supply adapter to compatible devices (refer to table 18.2) with the supplied cable.

18.1 Introduction

The DCN-WPS Power Supply Adapter is used with the wireless devices (refer to table 18.2).

table 18.1: Electrical properties

Input
100 - 240 V(AC) \pm 10%, 50 - 60 Hz
Output
9 V(DC), 550 mA

table 18.2: Compatible devices

Type	Description
DCN-WD	Wireless Discussion Unit
DCN-WDD	Wireless Discussion Unit
DCN-WDV	Wireless Discussion Unit

18.2 Installation

You can change the power plug of the power supply adapter (refer to figure 18.1).

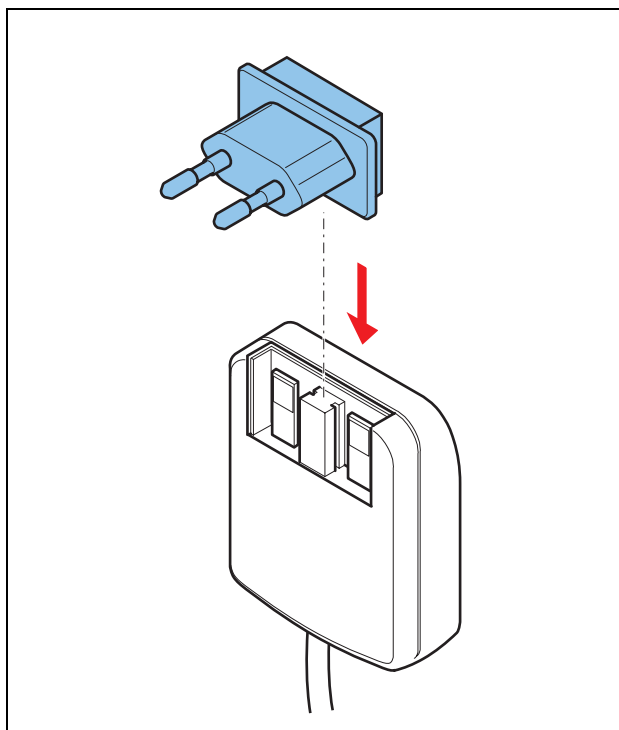


figure 18.1: Installation

19 DCN-FCWD10 Flight Case for Wireless Discussion Units

The DCN-FCWD10 Flight Case can accommodate:

- a maximum of 10 wireless discussion units complete with battery packs and microphones (long or short stem).
- 2 DCN-WCH05 charging units.

The case is manufactured from a robust construction and has reinforced corners. The shaped foam interior allows for quick and easy packing of components. An extra hand grip and roller wheels are provided for convenient transportation.



Caution

Do not charge the battery packs in the flight case, otherwise you might create a fire risk.



figure 19.1: DCN-FCWD10 Flight Case

20 DCN-WFCCU Flight Case for DCN-WCCU and DCN-WAP

The DCN-WFCCU Flight Case provides a secure transportation and storage solution for:

- a DCN-WCCU Wireless Central Control Unit, DCN-WAP Wireless Access Point and optical network cable, or
- 2 DCN-WCCU Wireless Central Control Units (if dividing foam partition is removed from case).



figure 20.1: DCN-WFCCU Flight Case

21 DDCN-RCWD10 Roller

Case for 10 Wireless

Discussion

The DCN-RCWD10 Roller Case can accommodate:

- a maximum of 10 wireless discussion units with fitted microphones (long or short stem). One extra storage position can be used for a spare unit.
- 2 DCN-WCH05 charging units, which slot into place and can be easily accessed by removing the side panel.



Caution

The side panel must be removed during battery charging, otherwise you might create a fire risk. During charging the panel can be stored in the top lid.

The case is manufactured from a robust construction and has reinforced corners. The shaped foam interior allows for quick and easy packing of components. Roller wheels are provided for convenient transportation.



figure 21.1: DCN-RCWD10 Roller Case

Intentionally left blank.

Section 4 - Appendices

A Audio levels

A.1 DCN-WCCU

table A.1: Analog line inputs

Plug or socket	Function	Nominal	Maximum
XLR	Floor	-12 dBV (- 6, + 6 dB)	12 dBV (- 6, + 6 dB)
Cinch	Floor	-24 dBV (- 6, + 6 dB)	0 dBV (- 6, + 6 dB)

table A.2: Analog outputs

Plug or socket	Function	Nominal	Maximum
XLR 1	PA	-12 dBV(- 24, + 6 dB)	12 dBV (- 24, + 6 dB)
XLR 2	Recorder	9 dBV(- 24, + 6 dB)	12 dBV(- 24, + 6 dB)
XLR 2	Equalized PA	0 dBV(- 24, + 6 dB)	12 dBV (- 24, + 6 dB))
XLR 2	Insertion/ mix-minus	-12 dBV(- 24, + 6 dB)	12 dBV (- 24, + 6 dB)
Cinch 1	PA	-24 dBV(- 24, + 6 dB)	0 dBV (- 24, + 6 dB)
Cinch 2	Recorder	-3dBV(- 24, + 6 dB)	0 dBV (- 24, + 6 dB)
Cinch 2	Equalized PA	-12 dBV(- 24, + 6 dB)	0 dBV (- 24, + 6 dB)
Cinch 2	Insertion/ mix-minus	-24 dBV(- 24, + 6 dB)	0 dBV (- 24, + 6 dB)

table A.3: Monitor

Plug or socket	Function	Nominal	Maximum
3.5 mm	Headphones	-1 dBV (mute, - 24 dB, 0 dB)	2 dBV (mute, - 24 dB, 0 dB)

A.2 DCN-WDU

table A.4: Headphones

Plug or socket	Function	Nominal	Maximum
3.5 mm	Headphones	3 dBV	6 dBV (mute, 0 dB)



Note

For all other audio levels, refer to the Appendix in the “DCN Next Generation, Installation & User Instructions”.

A.3 DCN-DDI

table A.5: Dual delegate interface

Plug or socket	Function	Nominal	Maximum
8-pole DIN	Line in 0 dB	-18 dBV (- 3, + 3 dB)	12 dBV (- 3, + 3 dB)
	Line in 6 dB	-12 dBV (- 3, + 3 dB)	12 dBV (- 3, + 3 dB)
	Line in 12 dB	-6 dBV (- 3, + 3 dB)	12 dBV (- 3, + 3 dB)
	Line in 18 dB	0 dBV (- 3, + 3 dB)	12 dBV (- 3, + 3 dB)
	Mic 0 dB	-46 dBV (- 3, + 3 dB)	-16 dBV (- 3, + 3 dB)
	Mic 6 dB	-40 dBV (- 3, + 3 dB)	-16 dBV (- 3, + 3 dB)
	Mic 12 dB	-34 dBV (- 3, + 3 dB)	-16 dBV (- 3, + 3 dB)
	Mic 18 dB	-28 dBV (- 3, + 3 dB)	-16 dBV (- 3, + 3 dB)
3.5 mm	---	-5 dBV	7.5 dBV

B Product index

B.1 Central devices

table B.1: Central devices

Product code	Product description	Refer to
DCN-WCCU	Central control unit wireless	Page 32
DCN-WCCU-UL	Central control unit wireless UL	Page 32
DCN-EPS	Extension power supply	DCN Next Gen.
DCN-EPS-UL	Extension power supply UL	DCN Next Gen.
LBB4402/00	Audio expander	DCN Next Gen.
LBB4404/00	CobraNet Interface	DCN Next Gen.
PRS-4DEX4	Digital audio expander	DCN Next Gen.

B.2 Installation devices

table B.2: Installation devices

Product code	Product description	Refer to
LBB4114/00	Trunk splitter	DCN Next Gen.
LBB4115/00	Trunk splitter protected	DCN Next Gen.
LBB4116/00	Extension cable, 100 m	DCN Next Gen.
LBB4116/02	Extension cable, 2 m	DCN Next Gen.
LBB4116/05	Extension cable, 5 m	DCN Next Gen.
LBB4116/10	Extension cable, 10 m	DCN Next Gen.
LBB4116/15	Extension cable, 15 m	DCN Next Gen.
LBB4116/20	Extension cable, 20 m	DCN Next Gen.
LBB4116/25	Extension cable, 25 m	DCN Next Gen.
LBB4117/00	Cable locking clamp	DCN Next Gen.
LBB4118/00	Cable termination plug	DCN Next Gen.
LBB4119/00	DCN connectors	DCN Next Gen.
LBB4410/00	Network splitter	DCN Next Gen.
LBB4414/10	Fiber interface without address	DCN Next Gen.
LBB4416/00	Network cable, 10 m	DCN Next Gen.
LBB4416/01	Network cable, 0.5 m	DCN Next Gen.
LBB4416/02	Network cable, 2 m	DCN Next Gen.
LBB4416/05	Network cable, 5 m	DCN Next Gen.
LBB4416/10	Network cable, 10 m	DCN Next Gen.
LBB4416/20	Network cable, 20 m	DCN Next Gen.
LBB4416/50	Network cable, 50 m	DCN Next Gen.
LBB4417/00	Network connector	DCN Next Gen.
LBB4418/00	Cable-connector tool kit	DCN Next Gen.
LBB4418/50	Spare cutting tool	DCN Next Gen.
LBB4419/00	Cable coupler	DCN Next Gen.

B.3 Contribution devices

table B.3: Contribution devices

Product code	Product description	Refer to
DCN-DDI	Dual delegate interface	Page 93
DCN-DISBCM	Sets of buttons for 10 chairman discussion units	Page 70
DCN-DISBDD	Sets of buttons for 10 dual use discussion units	Page 70
DCN-DISR-D	Set of 10 rims for discussion unit dark	Page 78
DCN-DISR-SR	Set of 10 rims for discussion unit silver	Page 78
DCN-DISRH-SR	Set of 10 rims for discussion unit high gloss silver	Page 78
DCN-DISRMH	Set of 10 rims for discussion unit high gloss metal	Page 78
DCN-DISRMS	Set of 10 rims for discussion unit semi gloss metal	Page 78
DCN-MICL	Pluggable microphone long stem	Page 85
DCN-MICS	Pluggable microphone short stem	Page 85
DCN-WD-D	Wireless discussion unit	Page 70
DCN-WDD-D	Wireless dual discussion unit	Page 70
DCN-WDV-D	Wireless discussion unit with voting	Page 70
DCN-WPS	Power Supply Adapter	Page 93

B.4 Flush-mounted devices

table B.4: Flush-mounted devices

Product code	Product description	Refer to
DCN-FCS	Channel selector unit for 32 channels	DCN Next Gen.

B.5 Interpretation devices

table B.5: Interpretation devices

Product code	Product description	Refer to
DCN-IDESK-L	Interpreter desk for 32 channels	DCN Next Gen.
DCN-IDESK-D	Interpreter desk for 32 channels, dark	DCN Next Gen.

B.6 Peripheral devices

table B.6: Peripheral devices

Product code	Product description	Refer to
LBB4157/00	Card encoder	DCN Next Gen.
DCN-IDCRD	Chip cards	DCN Next Gen.
DCN-DDB	Data distribution board	DCN Next Gen.

C Statements for FCC & Industry Canada

This Class B digital apparatus complies with Canadian ICES-003.

Cet appareil numérique de la classe B est conforme à la norme NMB-003 du Canada.

The DCN-Wireless equipment has been tested and found to comply with the limits for a Class B digital device, pursuant to Part 15 of the FCC Rules. These limits are designed to provide reasonable protection against harmful interference in a residential installation. This equipment generates, uses and can radiate radio frequency energy and, if not installed and used in accordance with the instructions, may cause harmful interference to radio communications. However, there is no guarantee that interference will not occur in a particular installation. If this equipment does cause harmful interference to radio or television reception, which can be determined by turning the equipment off and on, the user is encouraged to try to correct the interference by one or more of the following measures:

- Reorient or relocate the receiving antenna.
- Increase the separation between the equipment and receiver.
- Connect the equipment into an outlet on a circuit different from that to which the receiver is connected.
- Consult the dealer or an experienced radio/TV technician for help.

The Wireless Discussion Units and the Wireless Access Point comply with Part 15 of the FCC Rules and with RSS-210 of Industry Canada.

Operation is subject to the following two conditions:

- (1) this device may not cause harmful interference, and
- (2) this device must accept any interference received, including interference that may cause undesired operation.



Note

The Wireless Discussion Units and the Wireless Access Point comply with FCC radiation exposure limits set forth for an uncontrolled environment. The Wireless Discussion Units and the Wireless Access Point should be installed and operated with minimum distance of 20 cm to your body. The RF-parts of the Wireless Discussion Units and the Wireless Access Point must not be co-located or operating in conjunction with any other antenna or transmitter.



Warning

Changes or modifications made to this equipment not expressly approved by **Bosch Security Systems B.V.** may void the FCC authorization to operate this equipment.

D Declarations



EC-Declaration of Conformity

The undersigned, representing the following manufacturer

Manufacturer

Bosch Security Systems B.V.
Business Unit Communications Systems

Address:

Kapittelweg 10
4827 HG Breda
The Netherlands

hereby declare that the following product(s)

DCN-WLIION-D

is (are) in conformity with the regulations of the following marked EC-directive(s)
and bear(s) the **CE** - mark accordingly

	reference number	title
<input checked="" type="checkbox"/>	2004/108/EC	EMC Directive (EMC)
<input checked="" type="checkbox"/>	2006/95/EC	Low-Voltage Directive (LVD)
<input type="checkbox"/>	89/106/EC	Construction Products Directive (CPD)
<input type="checkbox"/>	1999/5/EC	Radio equipment and Telecommunications Terminal Equipment (R&TTE)
<input type="checkbox"/>	94/9/EC	Electrical Apparatus for Potentially Explosive Atmospheres (ATEX), according to annex IV and VII

The conformity of the product(s) with (above ticked) EC directives is provided by the compliance with the following standard(s):

Standard(s) / date

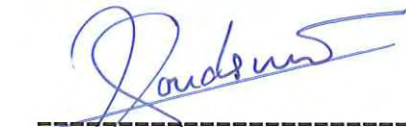
EN 60950-1: 2001

EN 61000-6-1: 2001

EN 61000-6-3: 2001+A11: 2004

Place, date:

Breda, 23-Nov-07



 Representative of VP BU
 Printed name:
 H. Goudsmit



 R+D Manager Business Unit
 Printed name:
 b/a R. ten Hove

23-11-2007



EC-Declaration of Conformity

The undersigned, representing the following manufacturer

Manufacturer

Bosch Security Systems B.V.
Business Unit Communications Systems

Address:

Kapittelweg 10
4827 HG Breda
The Netherlands

hereby declare that the following product(s)

DCN-WAP

is (are) in conformity with the regulations of the following marked EC-directive(s)
and bear(s) the **CE** - mark accordingly

	reference number	title
<input type="checkbox"/>	2004/108/EC	EMC Directive (EMC)
<input checked="" type="checkbox"/>	2006/95/EC	Low-Voltage Directive (LVD)
<input type="checkbox"/>	89/106/EC	Construction Products Directive (CPD)
<input checked="" type="checkbox"/>	1999/5/EC	Radio equipment and Telecommunications Terminal Equipment (R&TTE)
<input type="checkbox"/>	94/9/EC	Electrical Apparatus for Potentially Explosive Atmospheres (ATEX), according to annex IV and VII


The conformity of the product(s) with (above ticked) EC directives is provided by the compliance with the following standard(s):

Standard(s) / date

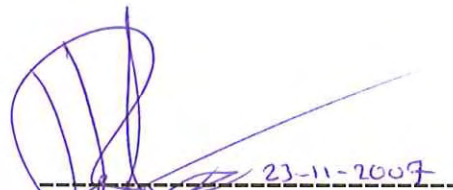
EN 60950-1: 2001
ETSI EN 301 489-1 V1.4.1: 2002
ETSI EN 301 489-17 V1.2.1: 2002
ETSI EN 300 328 V1.6.1: 2004

Place, date:

Breda, 23-Nov-07



 Representative of VP BU
 Printed name:
 H. Goudsmits



 R+D Manager Business Unit
 Printed name:
 b/a R. ten Hove



EC-Declaration of Conformity

The undersigned, representing the following manufacturer

Manufacturer


Bosch Security Systems B.V.
Business Unit Communications Systems

Address:

Kapittelweg 10
4827 HG Breda
The Netherlands

hereby declare that the following product(s)

DCN-UPTK

is (are) in conformity with the regulations of the following marked EC-directive(s)
and bear(s) the  - mark accordingly

	reference number	title
<input checked="" type="checkbox"/>	2004/108/EC	EMC Directive (EMC)
<input checked="" type="checkbox"/>	2006/95/EC	Low-Voltage Directive (LVD)
<input type="checkbox"/>	89/106/EC	Construction Products Directive (CPD)
<input checked="" type="checkbox"/>	1999/5/EC	Radio equipment and Telecommunications Terminal Equipment (R&TTE)
<input type="checkbox"/>	94/9/EC	Electrical Apparatus for Potentially Explosive Atmospheres (ATEX), according to annex IV and VII

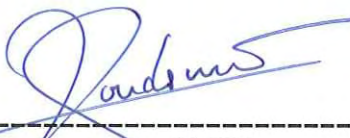
The conformity of the product(s) with (above ticked) EC directives is provided by the compliance with the following standard(s):

Standard(s) / date

EN 60950-1: 2001
EN 55022:1998+A1:2000+A2:2003
EN 55024:1998+A1:2000+A2:2003

Place, date:

Breda, 23-Nov-07



Representative of VP BU
 Printed name:
 H. Goudsmit



R+D Manager Business Unit
 Printed name:
 b/a R. ten Hove



EC-Declaration of Conformity

The undersigned, representing the following manufacturer

Manufacturer

Bosch Security Systems B.V.
Business Unit Communications Systems

Address:

Kapittelweg 10
4827 HG Breda
The Netherlands

hereby declare that the following product(s)

DCN-WD-D, DCN-WDD-D, DCN-WDV-D

is (are) in conformity with the regulations of the following marked EC-directive(s)
and bear(s) the **CE** - mark accordingly

	reference number	title
<input type="checkbox"/>	2004/108/EC	EMC Directive (EMC)
<input checked="" type="checkbox"/>	2006/95/EC	Low-Voltage Directive (LVD)
<input type="checkbox"/>	89/106/EC	Construction Products Directive (CPD)
<input checked="" type="checkbox"/>	1999/5/EC	Radio equipment and Telecommunications Terminal Equipment (R&TTE)
<input type="checkbox"/>	94/9/EC	Electrical Apparatus for Potentially Explosive Atmospheres (ATEX), according to annex IV and VII

The conformity of the product(s) with (above ticked) EC directives is provided by the compliance with the following standard(s):

Standard(s) / date

EN 60950-1: 2001
ETSI EN 301 489-1 V1.4.1: 2002
ETSI EN 301 489-17 V1.2.1: 2002
ETSI EN 300 328 V1.6.1: 2004

Place, date:

Breda, 23-Nov-07



Representative of VP BU

Printed name:
H. Goudsmits



R+D Manager Business Unit

Printed name:
b/a R. ten Hove



EC-Declaration of Conformity

The undersigned, representing the following manufacturer

Manufacturer

Bosch Security Systems B.V.
Business Unit Communications Systems

Address:

Kapittelweg 10
4827 HG Breda
The Netherlands

hereby declare that the following product(s)

DCN-WCCU, DCN-WCCU-JP, DCN-WCCU-UL

is (are) in conformity with the regulations of the following marked EC-directive(s)
and bear(s) the **CE** - mark accordingly

	reference number	title
<input checked="" type="checkbox"/>	2004/108/EC	EMC Directive (EMC)
<input checked="" type="checkbox"/>	2006/95/EC	Low-Voltage Directive (LVD)
<input type="checkbox"/>	89/106/EC	Construction Products Directive (CPD)
<input type="checkbox"/>	1999/5/EC	Radio equipment and Telecommunications Terminal Equipment (R&TTE)
<input type="checkbox"/>	94/9/EC	Electrical Apparatus for Potentially Explosive Atmospheres (ATEX), according to annex IV and VII

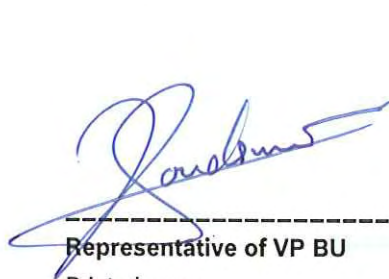
The conformity of the product(s) with (above ticked) EC directives is provided by the compliance with the following standard(s):

Standard(s) / date

EN 60065 : 2002
EN 55103-1: 1996
EN 55103-2: 1996

Place, date:

Breda, 23-Nov-07



Representative of VP BU

Printed name:

H. Goudsmits



R+D Manager Business Unit

Printed name:

b/a R. ten Hove



EC-Declaration of Conformity

The undersigned, representing the following manufacturer

Manufacturer

Bosch Security Systems B.V.
Business Unit Communications Systems

Address:

Kapittelweg 10
4827 HG Breda
The Netherlands

hereby declare that the following product(s)

DCN-WPS

is (are) in conformity with the regulations of the following marked EC-directive(s)
and bear(s) the **CE** - mark accordingly

	reference number	title
<input checked="" type="checkbox"/>	2004/108/EC	EMC Directive (EMC)
<input checked="" type="checkbox"/>	2006/95/EC	Low-Voltage Directive (LVD)
<input type="checkbox"/>	89/106/EC	Construction Products Directive (CPD)
<input type="checkbox"/>	1999/5/EC	Radio equipment and Telecommunications Terminal Equipment (R&TTE)
<input type="checkbox"/>	94/9/EC	Electrical Apparatus for Potentially Explosive Atmospheres (ATEX), according to annex IV and VII

The conformity of the product(s) with (above ticked) EC directives is provided by the compliance with the following standard(s):

Standard(s) / date

EN 60950-1: 2001
EN 61000-6-1: 2001
EN 61000-6-3: 2001 +A11: 2004

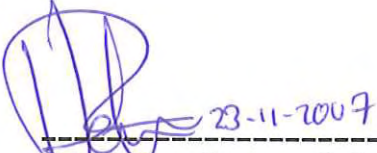
Place, date:

Breda, 23-Nov-07



Representative of VP BU

Printed name:
H. Goudsmits



R+D Manager Business Unit

Printed name:
b/a R. ten Hove



EC-Declaration of Conformity

The undersigned, representing the following manufacturer

Manufacturer

Bosch Security Systems B.V.
Business Unit Communications Systems

Address:

Kapittelweg 10
4827 HG Breda
The Netherlands

hereby declare that the following product(s)

DCN-WDCS-D, DCN-WDDCS-D, DCN-WDVCS-D

is (are) in conformity with the regulations of the following marked EC-directive(s)
and bear(s) the **CE** - mark accordingly

	reference number	title
<input type="checkbox"/>	2004/108/EC	EMC Directive (EMC)
<input checked="" type="checkbox"/>	2006/95/EC	Low-Voltage Directive (LVD)
<input type="checkbox"/>	89/106/EC	Construction Products Directive (CPD)
<input checked="" type="checkbox"/>	1999/5/EC	Radio equipment and Telecommunications Terminal Equipment (R&TTE)
<input type="checkbox"/>	94/9/EC	Electrical Apparatus for Potentially Explosive Atmospheres (ATEX), according to annex IV and VII

The conformity of the product(s) with (above ticked) EC directives is provided by the compliance with the following standard(s):

Standard(s) / date

EN 60950-1: 2001
ETSI EN 301 489-1 V1.4.1: 2002
ETSI EN 301 489-17 V1.2.1: 2002
ETSI EN 300 328 V1.7.1: 2006

Place, date:

Breda, 23-Nov-07



Representative of VP BU

Printed name:
H. Goudsmits



R+D Manager Business Unit

Printed name:
b/a R. ten Hove



EC-Declaration of Conformity

The undersigned, representing the following manufacturer

Manufacturer

Bosch Security Systems B.V.
Business Unit Communications Systems

Address:

Kapittelweg 10
4827 HG Breda
The Netherlands

hereby declare that the following product(s)

DCN-WCH-05, DCN-WCH-05-JP

is (are) in conformity with the regulations of the following marked EC-directive(s)
and bear(s) the **CE** - mark accordingly

	reference number	title
<input checked="" type="checkbox"/>	2004/108/EC	EMC Directive (EMC)
<input checked="" type="checkbox"/>	2006/95/EC	Low-Voltage Directive (LVD)
<input type="checkbox"/>	89/106/EC	Construction Products Directive (CPD)
<input type="checkbox"/>	1999/5/EC	Radio equipment and Telecommunications Terminal Equipment (R&TTE)
<input type="checkbox"/>	94/9/EC	Electrical Apparatus for Potentially Explosive Atmospheres (ATEX), according to annex IV and VII

The conformity of the product(s) with (above ticked) EC directives is provided by the compliance with the following standard(s):

Standard(s) / date


EN 60950-1: 2001

EN 61000-6-1: 2001

EN 61000-6-3: 2001+A11: 2004

Place, date:

Breda, 23-Nov-07



Representative of VP BU

Printed name:
H. Goudsmit



R+D Manager Business Unit

Printed name:
b/a R. ten Hove

23-11-2007

© Bosch Security Systems B.V.
Data subject to change without notice
2007-11 | 9922 141 70691 en

BOSCH