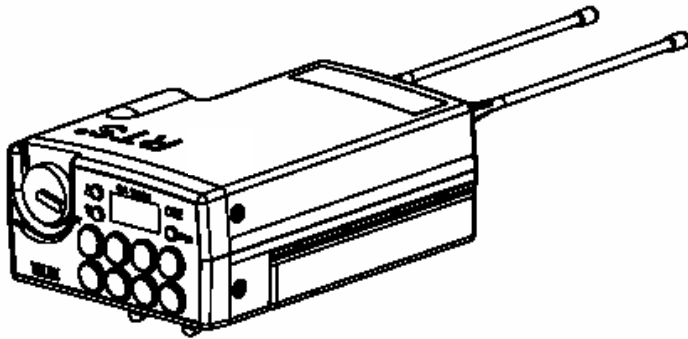


Telex Model RKP-4 Beltpack



Owners / Users Manual (Preliminary Information)

General Description:

The Telex model RKP-4 beltpack transceiver is a component of the RKP-4 wireless intercom system. The RKP-4 is intended for use as a belt worn wireless full duplex intercom radio for use in a professional installation such as television or cinema production.

A RKP-4B base station can be used with one RKP-4 beltpack. The RKP-4 transmits within the 614.1 to 746 MHz range (TV Channels 38-59). It receives in the 482 to 607.9 MHz range (TV Channels 16-36). The TR-1 transmitter operates on a single frequency within an 18 MHz wide section of the transmit frequency range. The receiver also operates on a single frequency within an 18 MHz wide section of the receiver frequency range.

Typical transmitter conducted output power is 50 mW. The RKP-4 transmit power can be set to automatically reduced when the unit is close-in to the base station to aid in intermodulation reduction and unnecessary transmit power.

Operating frequencies can be selected from pre-set groups or the user can select special operating frequencies within the 18 MHz wide allotments.

The Rear LCD display and buttons plus the talk function switch, is located on the back panel.

From the rear LCD display and buttons the following menus may be obtained:

- Group and Channel
- Transmit Frequency
- Receive Frequency
- Battery Life
- Microphone Gain

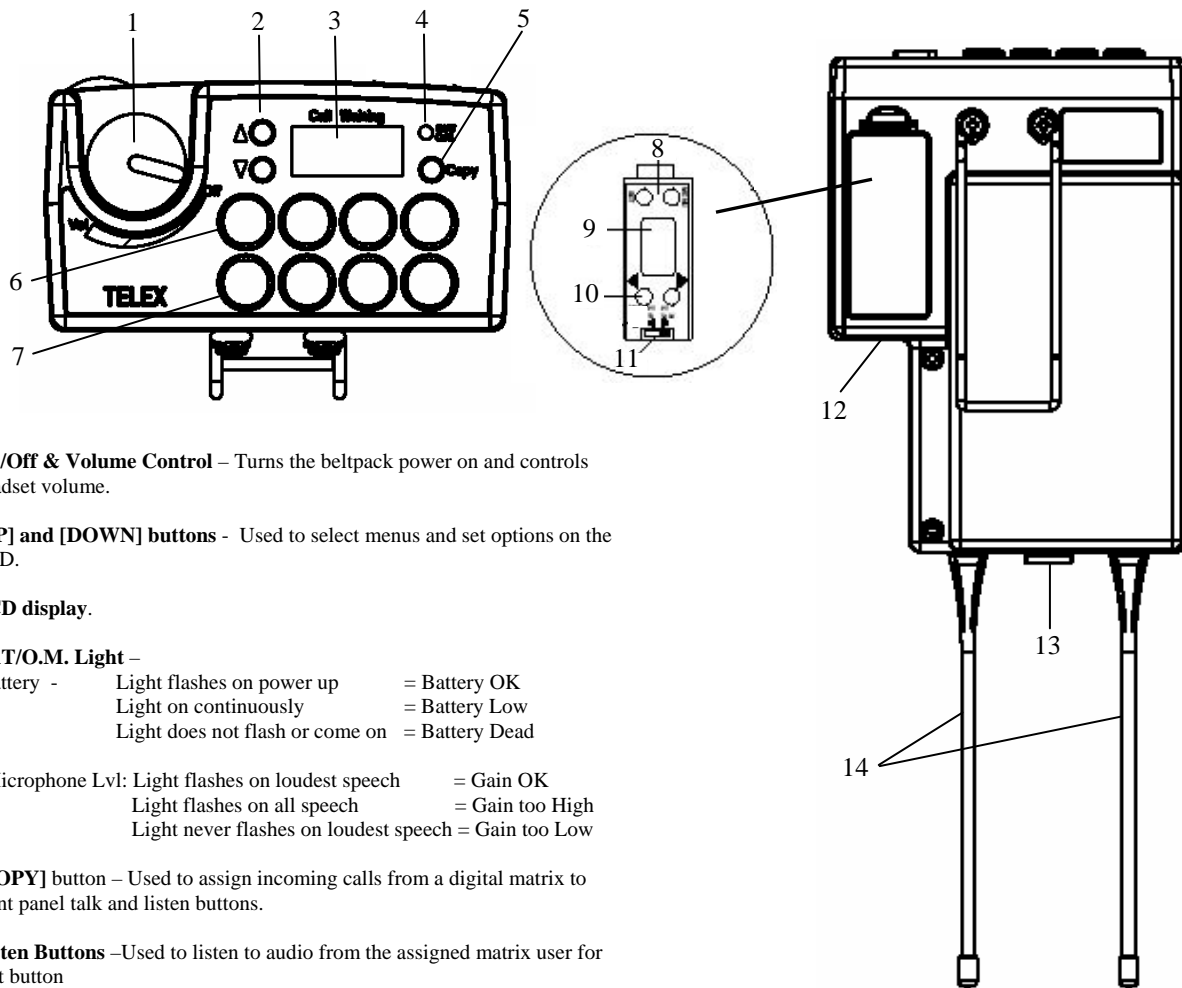
The top LCD display and associated buttons are used to access various users on any digital matrix system attached to the base station. The user's name is displayed on the top LCD if the base station is attached to a matrix system.

The on/off/volume control, talk and listen buttons, talk and listen lights, low battery indicator, microphone audio level indicator are located on the top panel.

Transmit and receive antennas are attached to the RKP-4. Either or both unscrew for field replacement but are not coaxial connectors.

The RKP-4 beltpack can be powered by AA Alkaline or a Nickel-Metal Hydride Battery pack.

Controls and Connections



1. **On/Off & Volume Control** – Turns the beltpack power on and controls headset volume.
2. **[UP] and [DOWN] buttons** - Used to select menus and set options on the LCD.
3. **LCD display.**
4. **BAT/O.M. Light** –

Battery -	Light flashes on power up	= Battery OK
	Light on continuously	= Battery Low
	Light does not flash or come on	= Battery Dead
Microphone Lvl:	Light flashes on loudest speech	= Gain OK
	Light flashes on all speech	= Gain too High
	Light never flashes on loudest speech	= Gain too Low
5. **[COPY] button** – Used to assign incoming calls from a digital matrix to front panel talk and listen buttons.
6. **Listen Buttons** –Used to listen to audio from the assigned matrix user for that button
7. **Talk Buttons** – Used to talk to the assigned matrix user for that button.

8. **[MENU] and [SET] buttons** – Used to select menus and set options on the LCD.
9. **LCD display.**
10. **[UP] and [DOWN] buttons** - Used to select menus and set options on the LCD.
11. **Push-to-Talk/Transmit Switch** – Does nothing in the RKP-4. The transmitter is always up.
12. **Headset Connector** – XLR Plug for Telex units, XLR Receptacle for RTS units.
13. **Battery Latch** – Press down to enable the battery pack to be released. While the latch is held down, slide the battery pack about 1/8 inch back, toward the latch, until it stops, then lift out.
14. **Receive and Transmit Antennas** – The antennas are screw type, ¼ wave, replaceable antennas. The color dot on the screw end of the antenna must match color dot on antenna receptacle.

Specifications:

General:

Input Power.....9.0 VDC Alkaline or NiMH.
Antennas.....Attached
TX / RX.....one TX, one RX
 Frequency agile, 25 KHz steps,
 within 18 MHz wide allotments.
Frequency Range
 TX.....614.1 – 746 MHz
 RX.....482 – 607.9 MHz
 (within 18 MHz wide allotments)
TX / RX Data Rate.....150 kbps

Transmitter:

RF Power Output.....50 mW typical
 (terminated)
Modulation type.....GMSK
Audio Frequency Response.....100 Hz to 4 kHz
Microphone Sensitivity7.75 mV

Receiver:

Sensitivity.....<1.0uV for 12 dB SINAD Typical
Audio Frequency Response....100 Hz to 4 KHz
Audio Output (headset).....200 mW, 150 Ohms
 (1% Distortion)