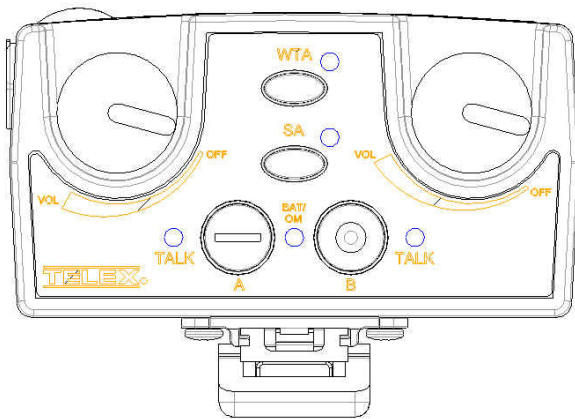


Telex Model TR-82N Beltpack



Owners / Users Manual (Preliminary Information)

General Description:

The Telex model TR-82N beltpack transceiver is a component of the BTR-80N wireless intercom system. The TR-82N is intended for use as a belt worn wireless full duplex portable intercom radio for use in a professional installation such as television or cinema production.

Each BTR-80N base station can be used with one to four TR-82N beltpacks. The TR-82N transmits within the 614 to 722 MHz range (TV Channels 38-55). It receives in the 482 to 608 MHz range (TV Channels 16-36). The TR-82N transmitter operates on a single frequency within an 18 MHz wide section of the transmit frequency range. The receiver also operates on a single frequency within an 18 MHz wide section of the receiver frequency range.

The RF coverage range of the TR-82N communicating to a base station may be up to 200 meters (656 ft).

The transmitter has three selectable conducted output power output levels; 5mW, 50mW and 100 mW. The transmit power can also be set to automatically reduce to the above listed power levels when the unit is close-in to the base station to aid in intermodulation reduction and unnecessary transmit power.

Operating frequencies can be selected from pre-set groups or the user can select special operating frequencies within the 18 MHz wide allotments.

The LCD display and buttons are located on the back panel.

From the LCD display and buttons the following menus may be obtained:

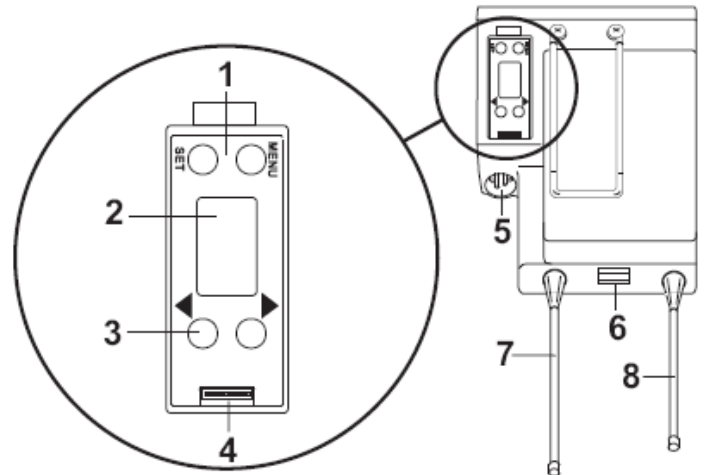
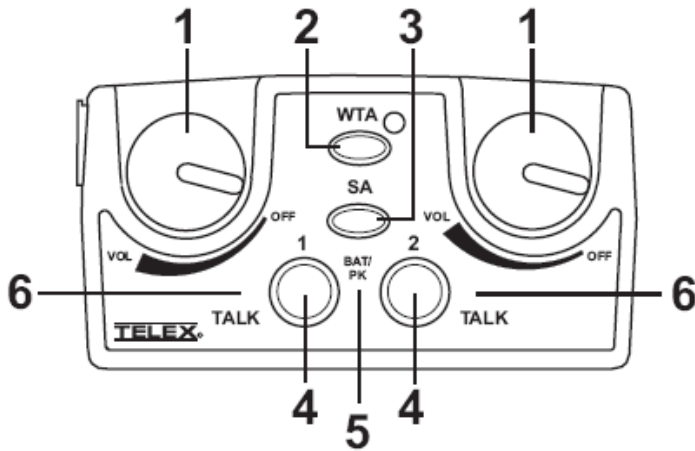
- Group and Channel
- Transmit Frequency
- Receive Frequency One
- Receive Frequency Two
- Microphone Gain Setting
- Battery Life
- Transmit power level (5mW, 50mW 100mW or Auto between the values)
- Receiver Squelch Level
- Push-to-Talk / Push-to-TX mode
- Headset configuration settings
- Top Panel LEDs on or off.

The on/off/volume controls, low battery indicator, microphone overmod. light, audio channel 1 or 2 button and lights, wireless talk around (WTA) and stage announce (SA) buttons are located on the top panel.

Transmit and receive antennas are attached to the TR-82N. Either or both unscrew for field replacement but are not coaxial connectors.

The TR-82N beltpack can be powered by AA Alkaline or a Nickel-Metal Hydride Battery pack.

Controls and Connections



1. **ON/OFF & Volume Control** – Either intercom 1 or intercom 2 knob turns belt-pack on. Both knobs must be off to turn the unit off.
2. **WTA Button and Light** – Wireless talk button. When pressed, the user's audio is disconnected from the wired intercom at the base station.
3. **SA Button and Light** – Wireless talk button. When pressed, the user's audio is routed to the stage announce connector on the back of the base station. The user also loses their sidetone as an indication that stage announce is activated.
4. **Audio Channel Select Buttons and Lights** – Allows the user to select either audio channel 1 or 2.
5. **BAT/O.M. Light** –

Battery -	Light flashes on power up	= Battery OK
	Light on continuously	= Battery Low
	Light does not flash or come on	= Battery Dead
Microphone Lvl:	Light flashes on loudest speech	= Gain OK
	Light flashes on all speech	= Gain too High
	Light never flashes on loudest speech	= Gain too Low
6. **Talk Buttons and Lights** – LED is on when a talk button, SA or WTA is active. Press a button to enable the audio path from the headset.

Software Selectable modes:	Push-to-Talk
	Push-to-Latch
1. **[MENU] and [SET] buttons** – Used to select menus and set options on the LCD.
2. **LCD display.**
3. **[UP] and [DOWN] buttons** - Used to select menus and set options on the LCD.
4. **Programming Connector** – Used to update flash in unit.
5. **Headset Connector** – XLR Plug for Telex units, XLR Receptacle for RTS units.
6. **Battery Latch** – Press down to enable the battery pack to be released. While the latch is held down, slide the battery pack about 1/8 inch back, toward the latch, until it stops, then lift out.
7. **Receive Antenna** – The antennas are screw type, ¼ wave, replaceable antennas. The color dot on the screw end of the antenna must match color dot on antenna receptacle.
8. **Transmit Antenna** – The antennas are screw type, ¼ wave, replaceable antennas. The color dot on the screw end of the antenna must match color dot on antenna receptacle.

Specifications:

General:

Input Power.....9.0 VDC Alkaline or NiMH.
 Antennas.....Attached
 TX / RX.....One TX, two RX
 Frequency agile, 25 KHz steps,
 within 18MHz wide allotments.
 Frequency Range
 TX.....614 – 722 MHz
 RX.....482 – 608 MHz
 (within 18MHz wide allotments)
 FCC ID: B5DM531

Transmitter:

RF Power Output.....Selectable or Auto
 between levels: 5mW,
 50mW, 100mW typical
 (terminated)
 Final Voltage (100mW).....4.75 VDC
 Final Current (100mW).....25mA
 Modulation type.....FM
 Deviation.....5 kHz
 Audio Frequency Response.....100 Hz to 7 kHz
 Microphone Sensitivity10 mV

Receiver:

Sensitivity.....<0.6uV for 12 dB SINAD Typical
 Audio Frequency Response....100 Hz to 7 KHz
 Audio Output (headset).....40 mW, 600 Ohms
 (1% Distortion)

Approval Information:

FCC

The Telex TR-82N Transmitter/Receiver is type accepted under United States Federal Communications Commission Part 74.

This device complies with Part 15 of the FCC Rules. Operation is subject to the condition that this device does not cause harmful interference.

Licensing of Telex equipment is the users responsibility and licensability depends upon the user’s classification, user’s application and frequency selected. Telex strongly urges the user to contact the appropriate telecommunications authority for any desired clarification.

CAUTION: Any changes or modifications made to the above equipment could void the user’s authority to operate the equipment. **NOTE:** The beltpack is intended to be worn on the belt of the user with both antenna’s vertical for best operating range and performance. Placing the beltpack in other locations on the body may reduce preformance and void the user’s authority by the FCC to operate the equipment.

Industry Canada

The Telex TR-82N Transmitter/Receiver is Certified to Industry Canada RSS-123 rules.

Licensing of Telex equipment is the users responsibility and licensability depends upon the user’s classification, user’s application and frequency selected. Telex strongly urges the user to contact the appropriate telecommunications authority for any desired clarification.

CAUTION: Any changes or modifications made to the above equipment could void the user’s authority to operate the equipment.