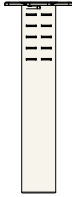
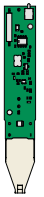





RF3402

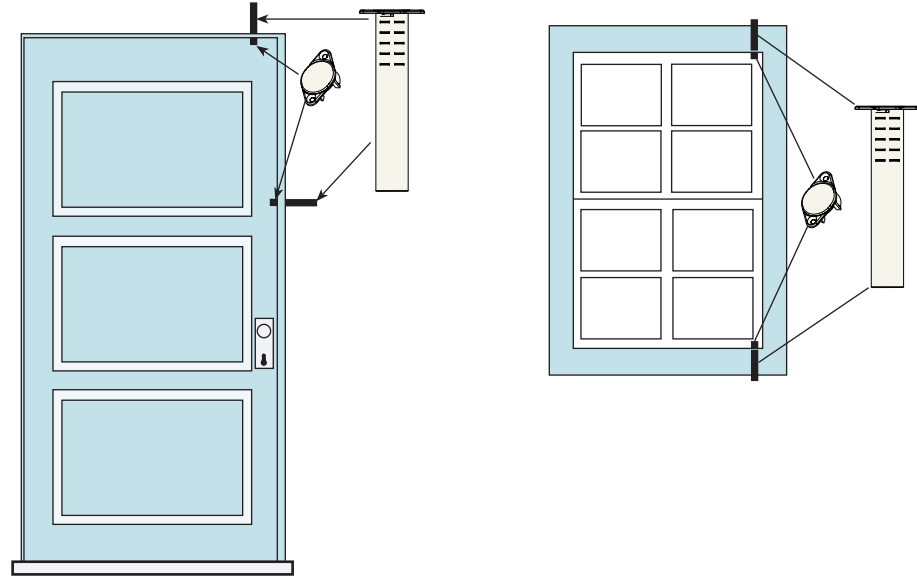


Recessed Wireless Window or Door Magnetic Contact Installation Instructions

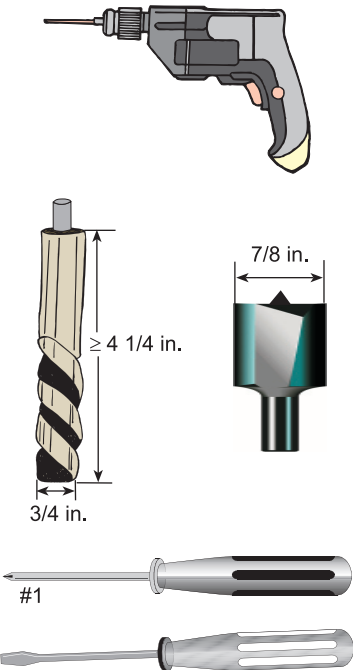
Parts List

-  1 - 4998132097B Transmitter housing
-  1 - 4998152396 Transmitter
-  1 - F01U003772 Magnet Assembly
-  1 - 33039B 3 V, CR2 Lithium
-  4 - 4998150399B

Mounting Locations



Tools Needed



Compliance

UL

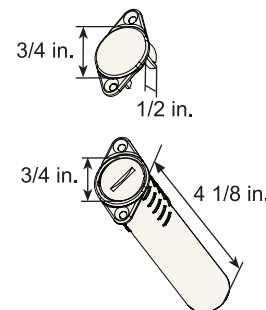
FCC Notice

This device complies with Part 15 of the FCC Rules. Operation is subject to the following conditions:

1. This device may not cause harmful interference, and
2. This device must accept any interference received, including interference that may cause undesirable operation.

Changes or modifications not expressly approved by Bosch Security Systems can void the user's authority to operate the equipment.

Specifications



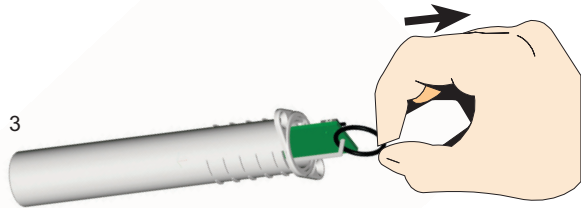
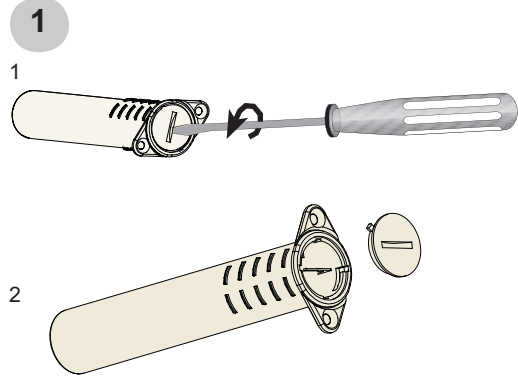
-20 °C to +65°C (-4°F to +149°F)
For UL Listed installations, the temperature range is 0°C to +40°C (+32°F to +104°F)

- Battery Life: 5 years
- Frequency: 304.00 MHz
- Compatible Receiver: RF3224
- Humidity: 95° non-condensing

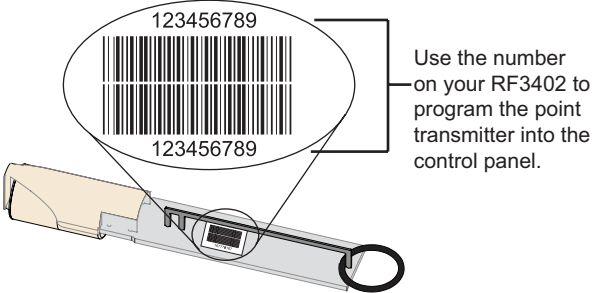
www.boschsecuritysystems.com

© 2004 Bosch Security Systems
F01U000844B

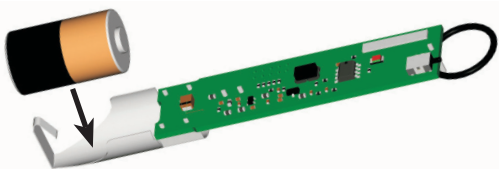
Installation



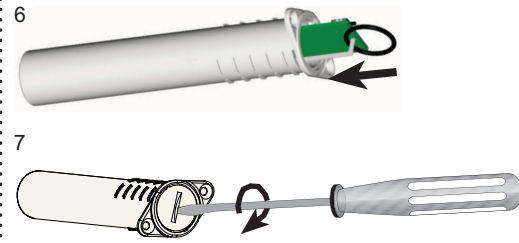
4 Control Panel Programming



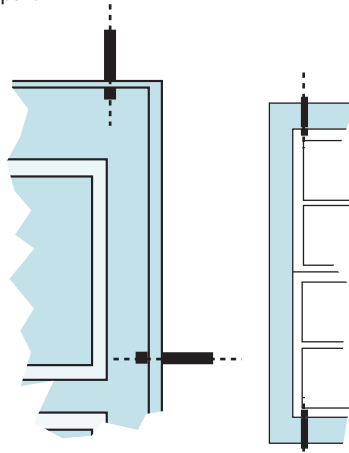
5 Battery Installation



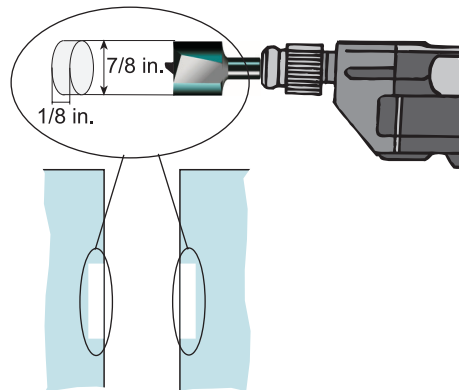
Recommended batteries:
 Duracell DLCR2
 Eveready EL1CR2
 Sanyo CR2



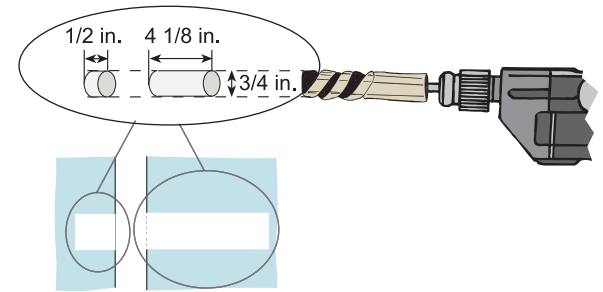
2 Note: Install the magnet assembly on the the moving part of the door or window and the transmitter housing on the fixed part.



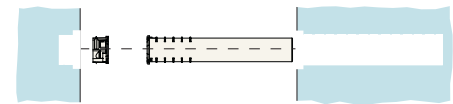
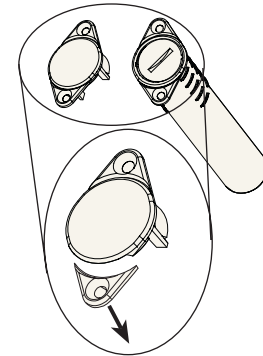
3 Flush Mount Only - Countersink



4 Surface and Flush Mount



5 Flush Mount



Surface Mount

