

IMPORTANT:
Read Before Using

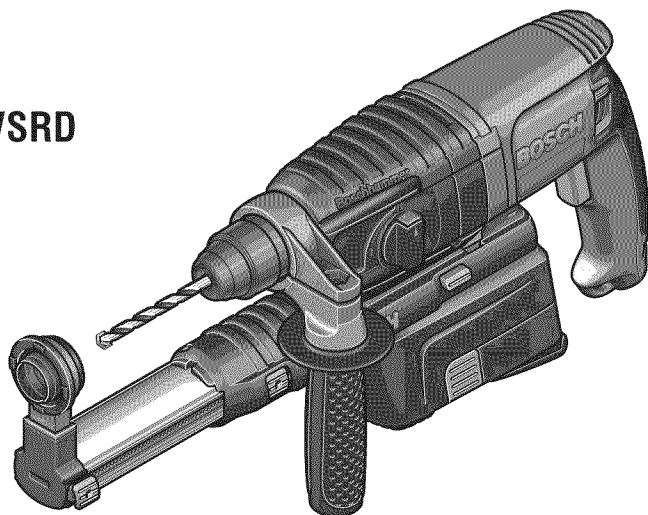
IMPORTANT :
Lire avant usage

IMPORTANTE:
Leer antes de usar



Operating/Safety Instructions
Consignes de fonctionnement/sécurité
Instrucciones de funcionamiento y seguridad

11250VSRD



BOSCH

Call Toll Free for
Consumer Information
& Service Locations

Pour obtenir des informations
et les adresses de nos centres
de service après-vente,
appelez ce numéro gratuit

Llame gratis para
obtener información
para el consumidor y
ubicaciones de servicio

1-877-BOSCH99 (1-877-267-2499) www.boschtools.com

For English Version
See page 2

Version française
Voir page 15

Versión en español
Ver la página 28

General Safety Rules

⚠ WARNING Read all instructions. Failure to follow all instructions listed below may result in electric shock, fire and/or serious injury. The term “power tool” in all of the warnings listed below refers to your mains-operated (corded) power tool or battery-operated (cordless) power tool.

SAVE THESE INSTRUCTIONS

Work area safety

Keep work area clean and well lit. Cluttered or dark areas invite accidents.

Do not operate power tools in explosive atmospheres, such as in the presence of flammable liquids, gases or dust. Power tools create sparks which may ignite the dust or fumes.

Keep children and bystanders away while operating a power tool. Distractions can cause you to lose control.

Electrical safety

Power tool plugs must match the outlet. Never modify the plug in any way. Do not use any adapter plugs with earthed (grounded) power tools. Unmodified plugs and matching outlets will reduce risk of electric shock.

Avoid body contact with earthed or grounded surfaces such as pipes, radiators, ranges and refrigerators. There is an increased risk of electric shock if your body is earthed or grounded.

Do not expose power tools to rain or wet conditions. Water entering a power tool will increase the risk of electric shock.

Do not abuse the cord. Never use the cord for carrying, pulling or unplugging the power tool. Keep cord away from heat, oil, sharp edges or moving parts. Damaged or entangled cords increase the risk of electric shock.

When operating a power tool outdoors, use an extension cord suitable for outdoor use. Use of a cord suitable for outdoor use reduces the risk of electric shock.

Do not use AC only rated tools with a DC power supply. While the tool may appear to work, the electrical components of the AC rated tool are likely to fail and create a hazard to the operator.

If operating the power tool in damp locations is unavoidable a Ground Fault Circuit Interrupter (GFCI) must be used to supply the power to your tool. GFCI and personal protection devices like electrician’s rubber gloves and footwear will further enhance your personal safety.

Personal safety

Stay alert, watch what you are doing and use common sense when operating a power tool. Do not use a power tool while you are tired or under the influence of drugs, alcohol or medication. A moment of inattention while operating power tools may result in serious personal injury.

Use safety equipment. Always wear eye protection. Safety equipment such as dust mask, non-skid safety shoes, hard hat, or hearing protection used for appropriate conditions will reduce personal injuries.

Avoid accidental starting. Ensure the switch is in the off-position before plugging in. Carrying power tools with your finger on the switch or plugging in power tools that have the switch on invites accidents.

Remove any adjusting key or wrench before turning the power tool on. A wrench or a key left attached to a rotating part of the power tool may result in personal injury.

Do not overreach. Keep proper footing and balance at all times. This enables better control of the power tool in unexpected situations.

Dress properly. Do not wear loose clothing or jewelry. Keep your hair, clothing and gloves away from moving parts. Loose clothes, jewelry or long hair can be caught in moving parts.

If devices are provided for the connection of dust extraction and collection facilities, ensure these are connected and properly used. Use of these devices can reduce dust-related hazards.

Keep handles dry, clean and free from oil and grease. Slippery hands cannot safely control the power tool.

Power tool use and care

Do not force the power tool. Use the correct power tool for your application. The correct power tool will do the job better and safer at the rate for which it was designed.

Do not use the power tool if the switch does not turn it on and off. Any power tool that cannot be controlled with the switch is dangerous and must be repaired.

Disconnect the plug from the power source and/or the battery pack from the power tool before making any adjustments, changing accessories, or storing power tools. Such preventive safety measures reduce the risk of starting the power tool accidentally.

Store idle power tools out of the reach of children and do not allow persons unfamiliar with the power tool or these instructions to operate the power tool. Power tools are dangerous in the hands of untrained users.

Maintain power tools. Check for misalignment or binding of moving parts, breakage of parts and any other condition that may affect the power tools operation. If damaged, have the power tool repaired before use. Many accidents are caused by poorly maintained power tools.

Keep cutting tools sharp and clean. Properly maintained cutting tools with sharp

cutting edges are less likely to bind and are easier to control.

Use the power tool, accessories and tool bits etc., in accordance with these instructions and in the manner intended for the particular type of power tool, taking into account the working conditions and the work to be performed. Use of the power tool for operations different from those intended could result in a hazardous situation.

Use clamps or other practical way to secure and support the workpiece to a stable platform. Holding the work by hand or against your body is unstable and may lead to loss of control.

Service

Have your power tool serviced by a qualified repair person using only identical replacement parts. This will ensure that the safety of the power tool is maintained.

Develop a periodic maintenance schedule for your tool. When cleaning a tool be careful not to disassemble any portion of the tool since internal wires may be misplaced or pinched or safety guard return springs may be improperly mounted. Certain cleaning agents such as gasoline, carbon tetrachloride, ammonia, etc. may damage plastic parts.

Risk of injury to user, power cord must only be serviced by a Bosch Factory Service Center or Authorized Bosch Service Station.

SAVE THESE INSTRUCTIONS

Rotary Hammer Safety Rules

Hold tool by insulated gripping surfaces when performing an operation where the cutting tools may contact hidden wiring or its own cord. Contact with a "live" wire will make exposed metal parts of the tool "live" and shock the operator.

Use clamps or other practical way to secure and support the workpiece to a stable platform. Holding the work by hand or against your body is unstable and may lead to loss of control.

Do not drill, fasten or break into existing walls or other blind areas where electrical wiring may exist. If this situation is unavoidable, disconnect all fuses or circuit breakers feeding this worksite.

Wear ear protectors when using the tool for extended periods. Prolonged exposure to high intensity noise can cause hearing loss.

Use a metal detector to determine if there are gas or water pipes hidden in the work area or call the local utility company for assistance before beginning the operation.

Striking or cutting into a gas line will result in explosion. Water entering an electrical device may cause electrocution.

Always use auxiliary handle for maximum control over torque reaction or kick-back. High torque 3/8" and larger chuck capacity drills are equipped with auxiliary handles.

Always wear safety goggles or eye protection when using this tool. Use a dust mask or respirator for applications which generate dust.

Use thick cushioned gloves and limit the exposure time by taking frequent rest periods. Vibration caused by hammer-drill action may be harmful to your hands and arms.

Secure the material being drilled. Never hold it in your hand or across legs. Unstable support can cause the drill bit to bind causing loss of control and injury.

Never leave the trigger locked "ON". Before plugging the tool in, check that the trigger lock is "OFF". Accidental start-ups could cause injury.

Position the cord clear of rotating bit. Do not wrap the cord around your arm or wrist. If you lose control and have the cord wrapped around your arm or wrist it may entrap you and cause injury.

Position yourself to avoid being caught between the tool or side handle and walls or posts. Should the bit become bound or jammed in the work, the reaction torque of the tool could crush your hand or leg.

If the bit becomes bound in the workpiece, release the trigger immediately, reverse the direction of rotation and slowly squeeze the trigger to back out the bit. Be ready for a strong reaction torque. The drill body will tend to twist in the opposite direction as the drill bit is rotating.

Do not grasp the tool or place your hands too close to the spinning chuck or drill bit. Your hand may be lacerated.

When installing a drill bit, insert the shank of the bit well within the jaws of the chuck. If the bit is not inserted deep enough, the grip of the jaws over the bit is reduced and the loss of control is increased.

Do not use dull or damaged bits and accessories. Dull or damaged bits have a greater tendency to bind in the workpiece.

When removing the bit from the tool avoid contact with skin and use proper protective gloves when grasping the bit or accessory. Accessories may be hot after prolonged use.

Check to see that keys and adjusting wrenches are removed from the drill before switching the tool "ON". Keys or wrenches can fly away at high velocity striking you or a bystander.

Do not run the drill while carrying it at your side. A spinning drill bit could become entangled with clothing and injury may result.

⚠ WARNING Some dust created by power sanding, sawing, grinding, drilling, and other construction activities contains chemicals known to cause cancer, birth defects or other reproductive harm. Some examples of these chemicals are:

- Lead from lead-based paints,
- Crystalline silica from bricks and cement and other masonry products, and
- Arsenic and chromium from chemically-treated lumber.

Your risk from these exposures varies, depending on how often you do this type of work. To reduce your exposure to these chemicals: work in a well ventilated area, and work with approved safety equipment, such as those dust masks that are specially designed to filter out microscopic particles.

Symbols

IMPORTANT: Some of the following symbols may be used on your tool. Please study them and learn their meaning. Proper interpretation of these symbols will allow you to operate the tool better and safer.

Symbol	Name	Designation/Explanation
V	Volts	Voltage (potential)
A	Amperes	Current
Hz	Hertz	Frequency (cycles per second)
W	Watt	Power
kg	Kilograms	Weight
min	Minutes	Time
s	Seconds	Time
∅	Diameter	Size of drill bits, grinding wheels, etc.
n_0	No load speed	Rotational speed, at no load
.../min	Revolutions or reciprocation per minute	Revolutions, strokes, surface speed, orbits etc. per minute
0	Off position	Zero speed, zero torque...
1, 2, 3, ... I, II, III,	Selector settings	Speed, torque or position settings. Higher number means greater speed
	Infinitely variable selector with off	Speed is increasing from 0 setting
	Arrow	Action in the direction of arrow
	Alternating current	Type or a characteristic of current
	Direct current	Type or a characteristic of current
	Alternating or direct current	Type or a characteristic of current
	Class II construction	Designates Double Insulated Construction tools.
	Earthing terminal	Grounding terminal
	Warning symbol	Alerts user to warning messages
	Ni-Cad RBRC seal	Designates Ni-Cad battery recycling program



This symbol designates that this tool is listed by Underwriters Laboratories.



This symbol designates that this tool is listed to Canadian Standards by Underwriters Laboratories.



This symbol designates that this tool complies to NOM Mexican Standards.



This symbol designates that this tool is listed by the Canadian Standards Association.



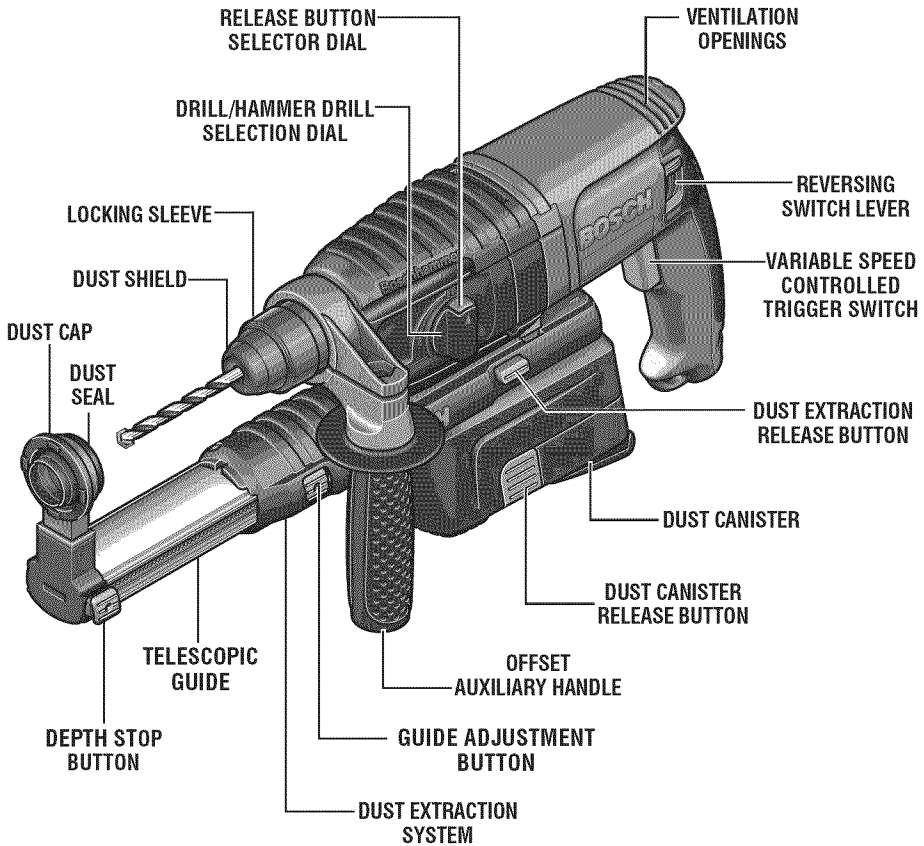
This symbol designates that this tool is listed by Underwriters Laboratories, and listed to Canadian Standards by Underwriters Laboratories.

Functional Description and Specifications

⚠ WARNING Disconnect the plug from the power source before making any assembly, adjustments or changing accessories. Such preventive safety measures reduce the risk of starting the tool accidentally.

Rotary Hammer

FIG. 1



Model number
Shank style

11250VSRD
SDS-Plus®

Maximum Capacities:

Concrete	3/4"
Steel	1/2"
Wood	3/4"
Carbide tipped bits	3/4"
Thin wall core bits	1-1/2"

NOTE: For tool specifications refer to the nameplate on your tool.

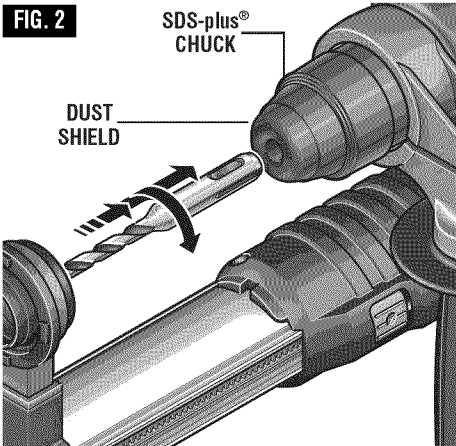
Assembly

⚠ WARNING Disconnect the plug from the power source before making any assembly, adjustments or changing accessories. Such preventive safety measures reduce the risk of starting the tool accidentally.

INSTALLING SDS-plus® ACCESSORIES

Clean the insert shank end of the accessory to remove any debris, then lightly grease with a light oil or lubricant

Insert accessory into the chuck through the dust shield, while twisting and pushing inward until it locks automatically into place. Pull outward on the accessory to be certain it is locked into the chuck (Fig. 2).

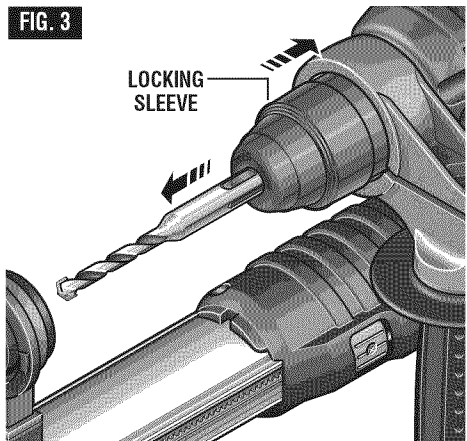


NOTE: The high efficiency available from the rotary hammers can only be obtained if sharp and undamaged accessories are used. The "cost" to maintain sharp and undamaged accessories is more than offset by the "time saved" in operating the tool with sharp accessories.

REMOVING SDS-plus® ACCESSORIES

⚠ WARNING Accessories may be hot after use. Avoid contact with skin and use proper protective gloves or cloth to remove.

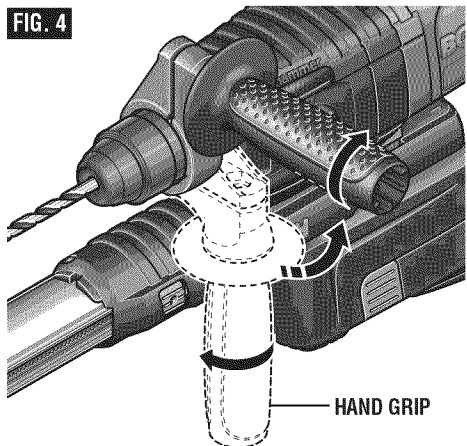
To remove an accessory, pull locking sleeve backward and pull bit forward. All accessories should be wiped clean after removing (Fig. 3).



OFFSET AUXILIARY HANDLE

The tool must be supported with the auxiliary handle, which can be swiveled 360°.

To reposition and/or swivel the handle, loosen the hand grip, move the handle to the desired position along the barrel and securely retighten the hand grip (Fig. 4).



Dust Extraction

⚠ WARNING Do not drill into metal with the dust extraction system mounted. Hot metal chips can self-ignite or ignite parts of the dust extraction system.

⚠ CAUTION Do not drill into wood with dust extraction system mounted. Wood chips are typically too large and will clog the dust channel.

⚠ WARNING Your tool is equipped with a dust canister, empty it frequently, after completion of drilling and before storing the tool. Be extremely careful of dust disposal, materials in fine particle form may be explosive.

Note: Do not use the dust extraction system when chiselling, screwdriving or cutting threads.

The dust extraction system retracts during operation so that the dust cap is always kept close to surface being drilled.

The dust extraction system automatically switches on and off with the power tool.

For maximum dust extraction efficiency, please observe the following.

- The drill bit being used may not project beyond the dust cap as shown in figures 13 & 14. (Example for an SDS-plus drill bit: Max. total length approx. 160 mm, working length approx. 100 mm).
- Pay attention that the dust cap faces flush against the workpiece or the wall. At the same time, this makes working at a right angle easier.
- After reaching desired drilling depth, first pull the drill bit out of the hole and then switch the tool off.
- Check the condition of the microfilter regularly. Replace a damaged microfilter immediately.

REMOVING AND INSTALLING DUST EXTRACTION SYSTEM

To remove dust extraction system, press and hold the dust extraction release button and pull away from tool housing (Fig. 5).

To install dust extraction system, align guide grooves with the grooves in tool housing and push toward tool until you hear it lock into place (Fig. 5).

MICROFILTER DUST CANISTER

The integral dust extraction system collects dust in a canister supplied with your extraction system.

The dust level of the dust canister can easily be checked through the transparent door (Fig. 6).

For maximum efficiency, the dust canister should be emptied frequently during operation.

REMOVING DUST CANISTER

To remove dust canister, press the two canister release buttons and pull canister downward out of the dust extraction system (Fig. 6).

CLEANING AND EMPTYING THE DUST CANISTER

Before opening the dust canister, gently strike or tap it against a firm surface to loosen the dust from the microfilter.

Open the transparent door and empty the dust canister. Close transparent door.

Check the microfilter for damage. Replace it immediately when damaged.

FIG. 5

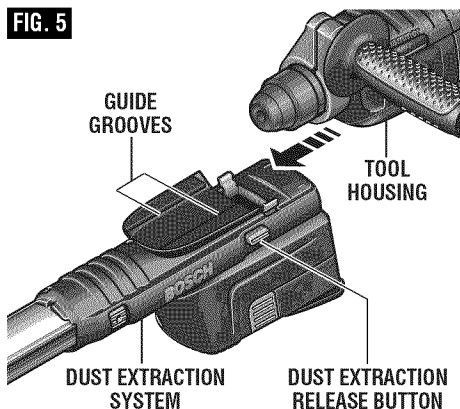
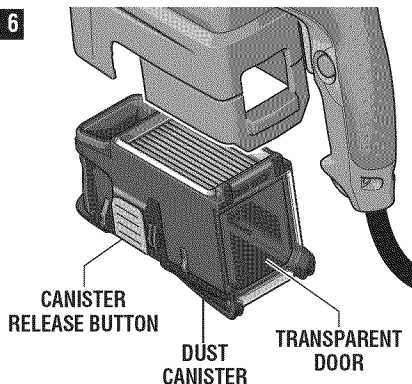


FIG. 6



INSTALLING DUST CANISTER

To install dust canister, push canister upward into the dust extraction system until you hear it lock into place (Fig. 6).

CHANGING THE MICROFILTER

For maximum efficiency, the microfilter should be replaced after approx. 15 hours of operation.

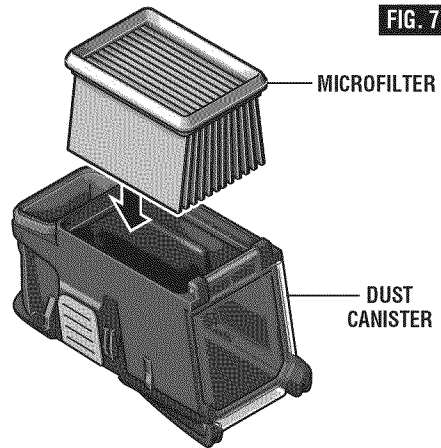
Remove the dust canister from the dust extraction system (Fig. 6).

Lift the microfilter upward and remove old or damaged filter from dust canister (Fig. 7).

Insert a new microfilter into the dust canister and reinstall the dust canister (Fig. 7.)

Note: If the microfilter is damaged (e.g. holes, damage to the soft sealing material), it must be replaced immediately. Working with a damaged microfilter can cause damage to the power tool.

Also replace the microfilter when the vacuuming performance is insufficient, even when the dust canister is empty.



VACUUM ADAPTER DUST CANISTER (Not included, available as accessory)

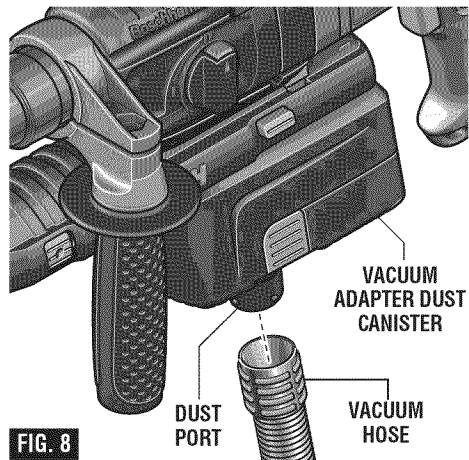
For dust extraction with a vacuum cleaner, the (optional) vacuum adapter dust canister can be inserted into the dust extraction system instead of the dust canister, if required.

Press the two canister release buttons and pull canister downward and remove from the dust extraction system (Fig. 6).

Install vacuum adapter dust canister upward into dust extraction system until you hear it lock into place (Fig. 8).

To use this feature, attach vacuum hose (optional accessory) to dust port, then connect opposite end of the vacuum hose to a shop vacuum cleaner. A vacuum hose adapter (optional accessory) is available for connecting this tool to a 1-1/4" or 1-1/2" vacuum hose (Fig. 8).

The vacuum cleaner must be suitable for the material being drilled.



DEPTH GAUGE

Your drilling depth X can be pre-set and/or repeated by using the depth gauge.

After the auxiliary handle is installed, make sure the accessory has been fully inserted into the chuck before setting the depth gauge.

Set the depth gauge by compressing the telescopic guide toward the tool. When the desired length of the bit is exposed, press and slide the depth stop button against the guide housing and release the button (Fig. 9). The depth gauge is spring loaded and will return to the fully extended position when pressure has

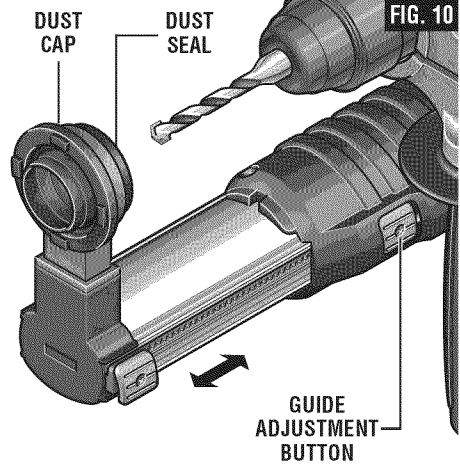
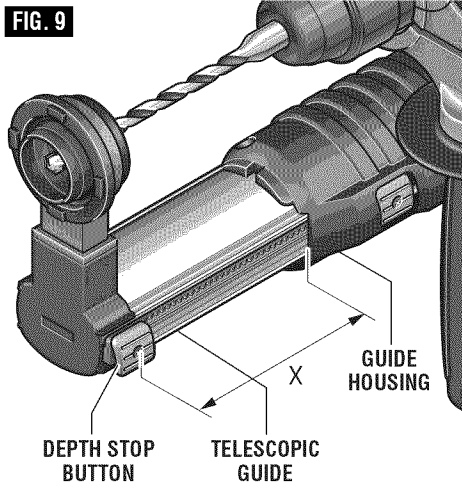
been released. (When drilling, the telescopic guide will compress until it engages the depth stop button.)

ADJUSTING THE TELESCOPIC GUIDE TO THE BIT LENGTH

For more convenient operation when using short drill bits, the length of the telescopic guide can be adjusted to desired lengths.

To adjust length, push and hold the guide adjustment button, compress the telescopic guide until dust cap is close to the tip of the drill bit (Fig. 10). To lock adjustment, release button.

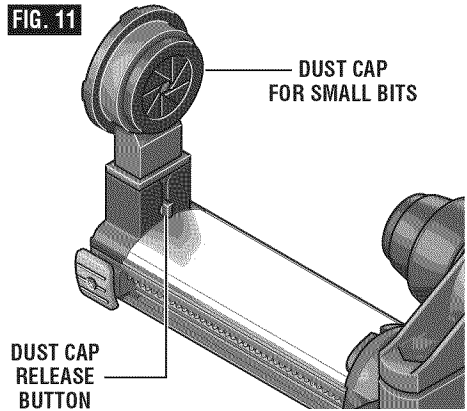
To unlock adjustment, push the guide adjustment button.



DUST CAP FOR SMALL DRILL BITS

Your tool is equipped with a standard dust cap for use with with small drill bits. To change the dust cap, push the release button and pull the dust cap out of the dust extraction system.

To insert the dust cap, push it into the end of the dust extraction system until you hear it lock into place (Fig. 11).



**DUST CAP FOR CORE BITS
1-1/2" MAXIMUM CAPACITY**

(Not included, available as accessory)

When using core bits, the dust cap for small drill bits must be removed and replaced with a

special dust cap for core bits (optional accessory).

When using the dust cap for core bits (optional accessory), the vacuum adapter dust canister

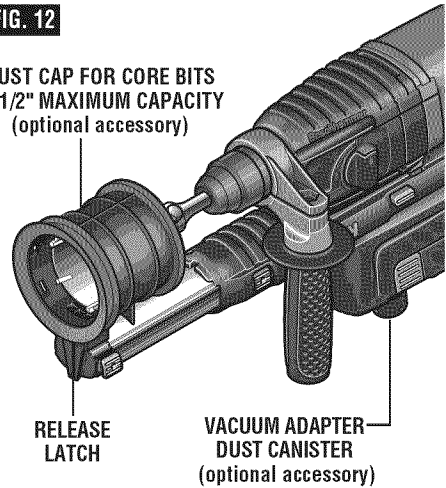
(optional accessory) must be used for dust extraction, not the standard dust canister (Fig. 12). If required, remove the dust cap for small drill bits.

To insert the dust cap for core bits, push it from above into the dust extraction system until you hear it click into place (Fig. 12).

To remove of the dust cap for core bits, push the release latch outward and pull off the dust cap.

FIG. 12

DUST CAP FOR CORE BITS
1-1/2" MAXIMUM CAPACITY
(optional accessory)



RELEASE LATCH

VACUUM ADAPTER DUST CANISTER
(optional accessory)

Operating Instructions

VARIABLE SPEED CONTROLLED TRIGGER SWITCH

Your tool is equipped with a variable speed trigger switch. The tool speed can be controlled from the minimum to the maximum nameplate RPM by the pressure you apply to the trigger. Apply more pressure to increase the speed and release pressure to decrease speed. This accurate speed control enables you to drill without center punching. It also permits you to use as a power screwdriver. Bits are available for driving screws as well as running bolts and nuts (Fig. 1).

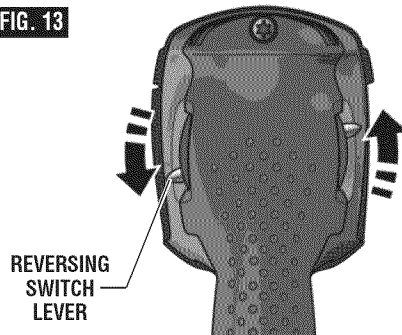
REVERSING SWITCH LEVER

This tool is equipped with a rotating brush reversing system. This results in longer tool life while maximizing power in both forward and reverse directions. The reverse switch can be operated from either the right or left side of the tool.

FOR FORWARD ROTATION: slide switch to arrow marked forward (Fig. 13).

FOR REVERSE ROTATION: slide the slide switch to arrow marked reverse. **NOTE:** Tool will not operate in middle position.

FIG. 13



REVERSING SWITCH LEVER

SLIP CLUTCH

The tool has an internal preset clutch. The clutch is set such that sufficient force is transmitted to the bit for most drilling conditions but it will slip when bit binds in the hole or the tool is overloaded. Be aware that due to required clutch setting, you may experience a torque reaction an instant before the clutch slips. This torque reaction

will twist the body of the rotary hammer in the opposite direction as the bit rotates, i.e., counterclockwise. As clutch is slipping, the bit will most likely stop rotating. When the binding force on the bit is removed the clutch automatically resets. If you experience bit binding and clutch begins to slip, immediately turn the tool "OFF" and correct the condition leading to the bit binding.

DRILL/HAMMER DRILL SELECTION DIAL

The selector dial allows the tool to be set for various drilling/hammer drilling applications. Depress release button and turn selector dial right or left depending on the below applications.

CAUTION Do not operate the selection dial until the tool come to a complete stop. Shifting during rotation of the chuck can cause damage to the tool.

Do not use demolition or chipping bits such as bull points, chisels, spades, gouges, etc.



Drill only action: For drilling in woods, metals, plastics or other non concrete materials.



Drill with hammer action: For drilling in concrete, asphalt, tile or other similar hard materials.

TOOL TIPS

Following a few simple tips will reduce wear on the tool and the chance of injury to the operator.

NOTE: The high efficiency available from the rotary hammers can only be obtained if sharp and undamaged accessories are used. The “cost” to maintain sharp and undamaged accessories is more than offset by the “time saved” in operating the tool with sharp accessories.

All hammers require a short period of time to warm up. Depending on the room temperature, this time may vary from approximately 15 seconds (90°F) to 2 minutes (32°F). A new hammer requires a break-in period before full performance is realized. This period may require up to 5 hours of operation.

Carbide tipped bits: Used for drilling stone, concrete, cement, brick, cinder block and other unusually hard non-metals. The Rotary Hammer is designed for “SDS” Carbide Tipped Bits up to 3/4 inch diameter.

Recall these instructions for safe operation:

1. Some materials require slow drilling speeds; whereas, others require higher speed to produce the best results.
2. All work must be supported or secured before drilling and steady, even pressure applied in line with the drill bit.
3. As the drill bit cuts through the opposite side, reduce the pressure and continue running the drill as the bit is withdrawn.

Materials such as glass, porcelain, ceramics, tiles, plastics, etc., should be drilled at low speeds with specially designed drill bits and lubricants.

DRILLING WOOD OR PLASTIC

CAUTION Do not drill into wood with dust extraction system mounted. Wood chips are typically too large and will clog the dust channel.

If backing block is not used, ease up on the pressure just before the bit breaks through the wood to avoid splintering. Complete the hole from the opposite side immediately after the point breaks through. If bit binds, reverse the drilling operation to help remove the bit from the work.

DRILLING METAL

WARNING Do not drill into metal with the dust extraction system mounted. Hot metal chips can self-ignite or ignite parts of the dust extraction system.

Make a center punch in the material for easier starting. Use enough pressure to keep the bit cutting. If the bit is allowed to merely spin in the hole, it will become dull within a short time. When drilling a larger hole, it is faster and easier on your power pack to first make a smaller hole and enlarge it to the required size. Lubricate the tip of the bit occasionally with CUTTING OIL for easier metal drilling. If bit binds, reverse the drilling to help remove the bit from the work.

DRILLING MASONRY

Use carbide-tipped masonry bit for cinder block, mortar, common brick, soft stone and other materials. The amount of pressure to be used is dependent upon the type of

material being drilled. Soft materials require less pressure while the hard materials need more pressure to prevent the drill bit from skipping.

Maintenance

Service

⚠ WARNING Preventive maintenance performed by unauthorized personnel may result in misplacing of internal wires and components which could cause serious hazard. We recommend that all tool service be performed by a Bosch Factory Service Center or Authorized Bosch Service Station.

TOOL LUBRICATION

Your Bosch tool has been properly lubricated and is ready to use. It is recommended that tools with gears be regreased with a special gear lubricant at every brush change.

CARBON BRUSHES

The brushes and commutator in your tool have been engineered for many hours of dependable service. To maintain peak efficiency of the motor, we recommend every two to six months the brushes be examined. Only genuine Bosch replacement brushes specially designed for your tool should be used.

BEARINGS

After about 300-400 hours of operation, or at every second brush change, the bearings

should be replaced at Bosch Factory Service Center or Authorized Bosch Service Station. Bearings which become noisy (due to heavy load or very abrasive material cutting) should be replaced at once to avoid overheating or motor failure.

Cleaning

⚠ WARNING To avoid accidents always disconnect the tool from the power supply before cleaning or performing any maintenance. The tool may be cleaned most effectively with compressed dry air. **Always wear safety goggles when cleaning tools with compressed air.**

Ventilation openings and switch levers must be kept clean and free of foreign matter. Do not attempt to clean by inserting pointed objects through openings.

⚠ CAUTION Certain cleaning agents and solvents damage plastic parts. Some of these are: gasoline, carbon tetrachloride, chlorinated cleaning solvents, ammonia and household detergents that contain ammonia.

Extension Cords

⚠ WARNING If an extension cord is necessary, a cord with adequate size conductors that is capable of carrying the current necessary for your tool must be used. This will prevent excessive voltage drop, loss of power or overheating. Grounded tools must use 3-wire extension cords that have 3-prong plugs and receptacles.

NOTE: The smaller the gauge number, the heavier the cord.

RECOMMENDED SIZES OF EXTENSION CORDS 120 VOLT ALTERNATING CURRENT TOOLS

Tool's Ampere Rating	Cord Size in A.W.G.				Wire Sizes in mm ²			
	Cord Length in Feet				Cord Length in Meters			
	25	50	100	150	15	30	60	120
3-6	18	16	16	14	0.75	0.75	1.5	2.5
6-8	18	16	14	12	0.75	1.0	2.5	4.0
8-10	18	16	14	12	0.75	1.0	2.5	4.0
10-12	16	16	14	12	1.0	2.5	4.0	—
12-16	14	12	—	—	—	—	—	—

Accessories

- * 360° Auxiliary Handle
 - * Dust extraction system
 - * Dust cap
 - * Dust seal
 - ** Dust cap (for hole saws)
 - ** Vacuum adapter dust canister
 - ** Vacuum hose Adapter
 - ** Vacuum hose
 - * Carrying Case
- (* = standard equipment)
(** = optional accessories)

Not recommended for use with the 3-jaw chuck and the straight chuck SDS adaptor

Consignes générales de sécurité

⚠ AVERTISSEMENT Veuillez lire et comprendre toutes les consignes. Si on n'observe pas toutes les consignes décrites ci-dessous, il y a risque de choc électrique, d'incendie et/ou de blessures corporelles graves. Dans toutes les mises en garde ci-dessous, le terme « outil électroportatif » se rapporte à des outils branchés sur le secteur (avec fil) ou à des outils alimentés par piles (sans fil).

CONSERVEZ CES CONSIGNES

Sécurité du lieu de travail

Maintenez le lieu de travail propre et bien éclairé. Les risques d'accident sont plus élevés quand on travaille dans un endroit encombré ou sombre.

N'utilisez pas d'outils électroportatifs dans des atmosphères explosives, comme par exemple en présence de gaz, de poussières ou de liquides inflammables. Les outils électroportatifs produisent des étincelles qui risquent d'enflammer les poussières ou les vapeurs.

Éloignez les enfants et les visiteurs quand vous vous servez d'un outil électroportatif. Vous risquez une perte de contrôle si on vous distrait.

Sécurité électrique

Les fiches des outils électroportatifs doivent correspondre à la prise. Il ne faut absolument jamais modifier la fiche. N'utilisez pas d'adaptateur de prise avec des outils électroportatifs munis d'une fiche de terre. Le risque de choc électrique est moindre si on utilise une fiche non modifiée sur une prise qui lui correspond.

Évitez tout contact du corps avec des surfaces reliées à la terre tels que tuyaux, radiateurs, gazinières ou réfrigérateurs. Le risque de choc électrique augmente si votre corps est relié à la terre.

N'exposez pas les outils électroportatifs à la pluie ou à l'humidité. Si de l'eau pénètre dans un outil électroportatif, le risque de choc électrique augmente.

Ne maltraitez pas le cordon. Ne vous en servez jamais pour transporter l'outil électroportatif, pour le tirer ou pour le débrancher. Éloignez le cordon de la chaleur, des huiles, des arêtes coupantes ou des pièces mobiles. Les cordons abîmés ou emmêlés augmentent les risques de choc électrique.

Si vous utilisez un outil électroportatif à l'extérieur, employez une rallonge conçue pour l'extérieur. Ces rallonges sont faites pour l'extérieur et réduisent le risque de choc électrique.

N'utilisez pas un outil conçu uniquement pour le C.A. sur une alimentation en C.C. Même si l'outil semble fonctionner, les composants électriques d'un outil prévu pour le C.A. tomberont probablement en panne et risquent de créer un danger pour l'utilisateur.

S'il est nécessaire d'utiliser l'outil dans un lieu humide, il faut l'alimenter par l'intermédiaire d'un disjoncteur différentiel de fuite à la terre (DDFT).

L'emploi d'un DDFT et de dispositifs de protection personnelle tels que gants et chaussures d'électricien en caoutchouc améliorent votre sécurité personnelle.

Sécurité personnelle

Restez concentré, faites attention à ce que vous faites, et servez-vous de votre bon sens lorsque vous utilisez un outil électroportatif. N'employez pas d'outils électroportatifs quand vous êtes fatigué ou sous l'emprise de drogues, d'alcool ou de médicaments. Quand on utilise des outils électroportatifs, il suffit d'un moment d'inattention pour causer des blessures corporelles graves.

Utilisez des équipements de sécurité. Portez toujours une protection oculaire. Si les conditions le demandent, il faut porter un masque à poussière, des chaussures de sécurité antidérapantes, un casque de chantier ou une protection auditive pour réduire le risque de blessure corporelle.

Évitez les démarrages intempestifs. Assurez-vous que l'interrupteur est en position arrêt (OFF) avant de brancher l'outil. Transporter un outil électroportatif avec le doigt sur la gâchette ou le brancher quand l'interrupteur est en position "marche" (ON) présente des risques d'accident.

Enlevez toutes les clés de réglage avant de mettre l'outil électroportatif en marche. Si on laisse une clé sur une pièce tournante de l'outil électroportatif, il y a risque de blessure corporelle.

Ne vous penchez pas. Conservez toujours une bonne assise et un bon équilibre. Ceci vous permettra de mieux maîtriser l'outil électroportatif dans des situations inattendues.

Habillez-vous de manière appropriée. Ne portez pas de vêtements amples ou de bijoux. Attachez les cheveux longs. N'approchez pas les cheveux, les vêtements ou les gants des pièces en mouvement. Les vêtements amples, les bijoux ou les cheveux longs risquent d'être happés par les pièces en mouvement.

Si l'outil est muni de dispositifs permettant le raccordement d'un système d'aspiration et de collecte des poussières, assurez-vous que ces dispositifs sont raccordés et utilisés correctement. L'utilisation de ces dispositifs peut permettre de réduire les dangers liés à la poussière.

Maintenez les poignées sèches et exemptes d'huile et de graisse. On ne peut pas maîtriser un outil électroportatif en toute sécurité quand on a les mains glissantes.

Utilisation et entretien des outils électroportatifs

Ne forcez pas sur l'outil électroportatif. Utilisez l'outil électroportatif qui convient à la tâche à effectuer. L'outil qui convient à la tâche fait un meilleur travail et est plus sûr à la vitesse pour lequel il a été conçu.

Ne vous servez pas de l'outil électroportatif si son interrupteur ne parvient pas à le mettre en marche ou à l'arrêter. Tout outil électroportatif qui ne peut pas être commandé par son interrupteur est dangereux et doit être réparé.

Débranchez la fiche de la prise ou enlevez le bloc-piles de l'outil électroportatif avant tout réglage, changement d'accessoires ou avant de ranger l'outil électroportatif. De telles mesures de sécurité préventive réduisent le risque de démarrage intempestif de l'outil électroportatif.

Rangez les outils électroportatifs dont vous ne vous servez pas hors de portée des enfants et ne permettez pas à des personnes qui ne connaissent pas l'outil électroportatif ou qui ignorent ces consignes de s'en servir. Les outils électroportatifs sont dangereux dans les mains d'utilisateurs inexpérimentés.

Entretenez les outils électroportatifs. Vérifiez que les pièces mobiles sont alignées correctement et ne coincent pas. Vérifiez qu'il n'y a pas de pièces cassées ou d'autre circonstance qui risquent d'affecter le fonctionnement de l'outil électroportatif. Si l'outil est abîmé, faites-le réparer avant de l'utiliser. De nombreux accidents sont causés par des outils électroportatifs mal entretenus.

Maintenez les outils coupants affûtés et propres. Les outils coupants entretenus correctement et dotés de

bords tranchants affûtés sont moins susceptibles de coincer et sont plus faciles à maîtriser.

Utilisez l'outil électroportatif, les accessoires, les embouts etc. selon ces consignes et de la manière prévue pour chaque type particulier d'outil électroportatif en tenant compte des conditions de travail et de la tâche à accomplir. L'emploi d'outils électroportatifs pour des tâches différentes de celles pour lesquelles ils ont été prévus peut résulter en une situation dangereuse.

Utilisez des brides ou d'autres moyens pratiques de brider ou de supporter la pièce sur une plate-forme stable. Tenir la pièce à la main ou contre le corps est instable et risque de résulter en une perte de contrôle.

Entretien

Faites réparer votre outil électroportatif par un agent de service qualifié n'utilisant que des pièces de rechange identiques. Ceci assure que la sécurité de l'outil électroportatif est préservée.

Créez un agenda d'entretien périodique pour votre outil. Quand vous nettoyez un outil, faites attention de n'en démonter aucune pièce car il est toujours possible de mal remonter ou de pincer les fils internes ou de remonter incorrectement les ressorts de rappel des capots de protection. Certains agents de nettoyage tels que l'essence, le tétrachlorure de carbone, l'ammoniaque, etc. risquent d'abîmer les plastiques.

Risque de blessure pour l'utilisateur. Le cordon d'alimentation électrique ne doit être réparé que par un Centre de service usine de Bosch ou par une Station service agréée de Bosch.

CONSERVEZ CES INSTRUCTIONS

Règles de sécurité concernant les marteaux rotatifs

Tenez l'outil par les surfaces isolées de préhension en exécutant une opération au cours de laquelle l'outil de coupe peut venir en contact avec les fils cachés ou son propre cordon. Le contact avec un fil sous tension rendra les pièces métalliques exposées de l'outil sous tension et causera des chocs à l'opérateur.

Utilisez des brides ou d'autres moyens pratiques de brider ou de supporter la pièce sur une plate-forme stable. Tenir la pièce à la main ou contre le corps est instable et risque de résulter en une perte de contrôle.

Ne percez, fixez et ne rentrez pas dans des murs existants ou autres endroits aveugles pouvant abriter des fils électriques. Si cette situation est inévitable, débranchez tous les fusibles ou les disjoncteurs alimentant ce site.

Portez un serre-tête antibruit lorsque vous utilisez l'outil pendant des périodes prolongées. L'exposition

prolongée à un bruit de haute intensité peut causer une perte auditive.

Utilisez un détecteur de métaux afin d'établir s'il y a des tuyaux d'eau ou à gaz dissimulés dans l'aire de travail ou appelez la compagnie de service public locale pour assistance avant de commencer l'opération. Le fait de frapper une conduite de gaz ou de couper dans celle-ci provoquera une explosion. L'eau pénétrant dans un appareil électrique peut entraîner une électrocution.

Utilisez toujours la poignée auxiliaire pour un contrôle maximal sur la réaction de couple ou le rebond. Les perceuses de 3/8 po à haut couple et les perceuses avec mandrin à plus grande capacité sont équipées de poignées auxiliaires.

Portez toujours des lunettes à coques latérales ou des lunettes de protection en utilisant cet outil. Utilisez un respirateur ou un masque anti-

poussières pour les applications produisant de la poussière.

Utilisez des gants rembourrés épais et limitez le temps d'exposition en prenant des pauses fréquentes. Les vibrations causées par l'action du marteau-perceuse peuvent être nocives pour vos mains et vos bras.

Assujettissez l'ouvrage à percer. Ne le tenez jamais dans votre main ou par-dessus vos jambes. Un support instable peut faire gripper le foret, provoquant ainsi une perte de contrôle et des blessures.

Ne tenez jamais la gâchette bloquée en position de marche. Avant de brancher l'outil, assurez-vous que le blocage de la gâchette est inhibé. Les mises en marche accidentelles peuvent causer des blessures.

Placez le cordon à l'écart du foret en rotation. N'enroulez pas le cordon autour de votre bras ou de votre poignet. Si vous perdez contrôle et que le cordon s'enroule autour de votre bras ou de votre poignet, il peut vous emprisonner et vous blesser.

Placez-vous de manière à éviter d'être pris entre l'outil ou la poignée latérale et les murs ou les montants. Si le foret se coince ou gripe dans l'ouvrage, le couple de réaction de l'outil pourrait écraser votre main ou votre pied.

Si le foret gripe dans l'ouvrage, relâchez la gâchette immédiatement, inversez le sens de rotation et appuyez lentement sur la gâchette pour faire ressortir le foret. Soyez prêt à un fort couple de réaction. Le corps de la perceuse aura tendance à tordre en sens opposé à mesure que le foret tourne.

Ne saisissez pas l'outil et ne placez vos mains trop près du foret ou du mandrin en rotation. Votre main pourrait être lacérée.

En installant un foret, insérez la tige du foret bien à l'intérieur des mâchoires du mandrin. Si le foret n'est pas inséré assez profondément, la prise des mâchoires sur le foret est réduite et la perte de contrôle est accrue.

N'utilisez pas de forets et d'accessoires émoussés ou endommagés. Les forets émoussés ou endommagés ont tendance à gripper dans l'ouvrage.

En retirant le foret de l'outil, évitez tout contact avec la peau et utilisez des gants protecteurs appropriés en saisissant le foret ou l'accessoire. Les accessoires peuvent être chauds après une utilisation prolongée.

Assurez-vous que les clés de serrage et de réglage sont retirées de la perceuse avant de mettre l'outil en marche. Les clés de serrage ou de réglage peuvent être projetées à grande vitesse et frapper une personne présente ou vous-même.

Ne faites pas fonctionner la perceuse en la portant à votre côté. Un foret en rotation pourrait s'emmelever à vos vêtements, ce qui pourrait causer des blessures.

AVERTISSEMENT Les travaux à la machine tel que ponçage, sciage, meulage, perçage et autres travaux du bâtiment peuvent créer des poussières contenant des produits chimiques qui sont des causes reconnues de cancer, de malformation congénitale ou d'autres problèmes reproductifs. Ces produits chimiques sont, par exemple :

- Le plomb provenant des peintures à base de plomb,
- Les cristaux de silices provenant des briques et du ciment et d'autres produits de maçonnerie, et
- L'arsenic et le chrome provenant des bois traités chimiquement.

Le niveau de risque dû à cette exposition varie avec la fréquence de ces types de travaux. Pour réduire l'exposition à ces produits chimiques, il faut travailler dans un lieu bien ventilé et porter un équipement de sécurité approprié tel que certains masques à poussière conçus spécialement pour filtrer les particules microscopiques.

Symboles

IMPORTANT : Certains des symboles suivants peuvent être utilisés sur votre outil. Veuillez les étudier et apprendre leur signification. Une interprétation appropriée de ces symboles vous permettra d'utiliser l'outil de façon plus efficace et plus sûre.

Symbole	Nom	Désignation/Explication
V	Volts	Tension (potentielle)
A	Ampères	Courant
Hz	Hertz	Fréquence (cycles par seconde)
W	Watt	Puissance
kg	Kilogrammes	Poids
min	Minutes	Temps
s	Secondes	Temps
∅	Diamètre	Taille des mèches de perceuse, meules, etc.
n_0	Vitesse à vide	Vitesse de rotation, à vide
.../min	Tours ou mouvement alternatif par minute	Tours, coups, vitesse en surface, orbites, etc., par minute
0	Position d'arrêt	Vitesse zéro, couple zéro ...
1, 2, 3, ... I, II, III, ...	Réglages du sélecteur	Réglages de vitesse, de couple ou de position. Un nombre plus élevé signifie une vitesse plus grande.
	Sélecteur variable à l'infini avec arrêt	La vitesse augmente depuis le réglage 0
	Flèche	Action dans la direction de la flèche
	Courant alternatif	Type ou caractéristique du courant
	Courant continu	Type ou caractéristique du courant
	Courant alternatif ou continu	Type ou caractéristique du courant
	Construction classe II isolation	Désigne des outils construits avec double
	Borne de terre	Borne de mise à la terre
	Symbole d'avertissement	Alerte l'utilisateur aux messages d'avertissement.
	Sceau Ni-Cad RBRC™	Désigne le programme de recyclage des piles Ni-Cad.



Ce symbole signifie que cet outil est approuvé par Underwriters Laboratories.



Ce symbole signifie que cet outil est approuvé conformément aux normes canadiennes par Underwriters Laboratories.



Ce symbole signifie que cet outil se conforme aux normes mexicaines NOM.



Ce symbole signifie que cet outil est approuvé par l'Association canadienne de normalisation.

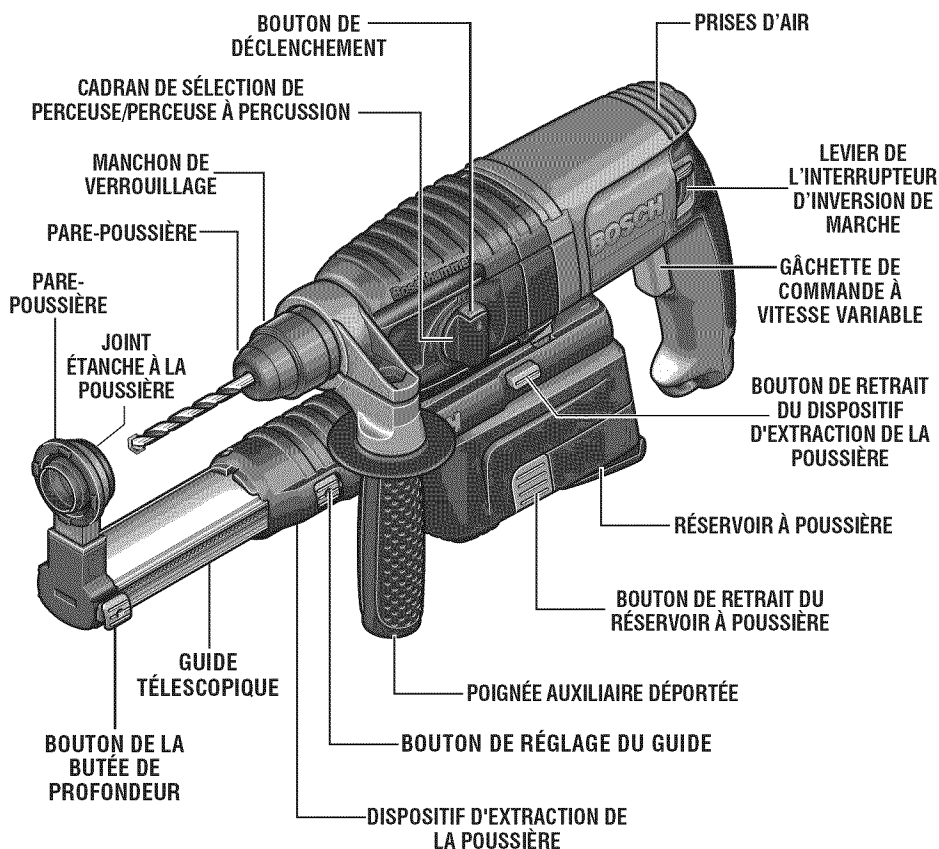


Ce symbole signifie que cet outil est approuvé par Underwriters Laboratories et qu'il a été homologué selon les normes canadiennes par Underwriters Laboratories.

Description fonctionnelle et spécifications

AVERTISSEMENT Débranchez la fiche de la prise de courant avant d'effectuer quelque assemblage ou réglage que ce soit ou de changer les accessoires. Ces mesures de sécurité préventive réduisent le risque d'une mise en marche accidentelle de l'outil.

Marteau rotatif



Numéro de modèle
Type de tige

11250VSRD
SDS-Plus®

Capacités maximales :

Béton	19 mm
Acier	13 mm
Bois	19 mm
Mèches à pointe au carbure	19 mm
Mèches creuses à paroi mince	38 mm

REMARQUE : Pour spécifications de l'outil, reportez-vous à la plaque signalétique de votre outil.

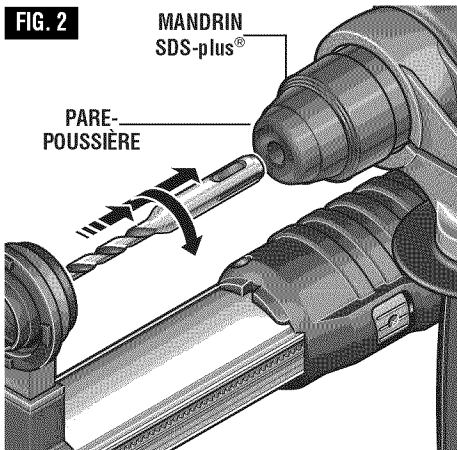
Assemblage

AVERTISSEMENT Débranchez la fiche de la prise de courant avant d'effectuer quelque assemblage ou réglage que ce soit ou de changer les accessoires. Ces mesures de sécurité préventive réduisent le risque d'une mise en marche accidentelle de l'outil.

INSTALLATION D'ACCESSOIRES SDS-PLUS®

Nettoyez la tige de l'embout de l'accessoire pour enlever toute saleté, puis enduisez-la modérément d'une huile ou graisse légère.

Au pare-poussière, introduisez l'accessoire dans la mandrin de retenue tout en le tordant et l'enfonçant jusqu'à ce qu'il se verrouille automatiquement en place. Tirez sur l'embout pour vous assurer qu'il est bien engagé dans la mandrin (Fig. 2).

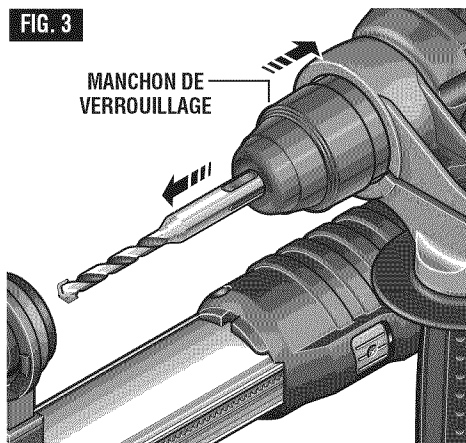


REMARQUE : Le marteau rotatif ne produira les résultats attendus que si vous l'équipez d'accessoires bien affûtés et en parfait état. Les frais d'entretien des accessoires sont minimes comparés au temps que vous économiserez.

DÉMONTAGE D'ACCESSOIRES SDS-PLUS®

Les accessoires peuvent être chauds après l'usage. Évitez tout contact avec la peau et utilisez un chiffon ou des gants protecteurs appropriés pour déposer.

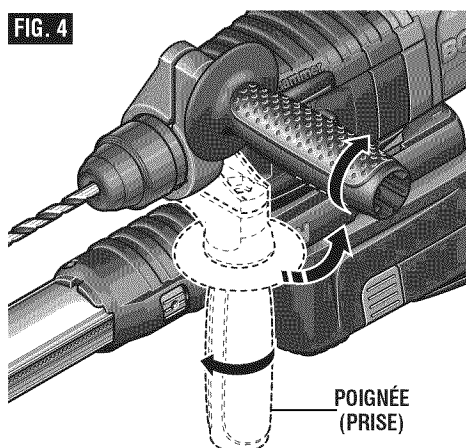
Pour retirer un accessoire, tirez et tenez le manchon de verrouillage vers l'arrière, et tirez l'embout vers l'avant. Essuyez tous les accessoires pour les nettoyer après les avoir enlevés (Fig. 3).



POIGNÉE AUXILIAIRE DÉPORTÉE

La poignée auxiliaire, qui pivote sur 360°, doit être utilisée pour supporter l'outil.

Pour repositionner et/ou faire pivoter la poignée, desserrez la manette, déplacez la poignée à la position désiré le long du cylindre, puis resserrez fermement la manette (Fig. 4).



Extraction de la poussière

AVERTISSEMENT Ne pas percer dans du métal avec le dispositif d'extraction de la poussière installé. Des fragments de métal très chauds risqueraient de s'enflammer ou de mettre feu à certaines parties du dispositif d'extraction de la poussière.

MISE EN GARDE Ne pas percer dans du bois avec le dispositif d'extraction de la poussière installé. La plupart des copeaux de bois sont trop grands et causeraient l'obstruction du canal de dépoussiérage.

AVERTISSEMENT Votre outil est muni d'un réservoir à poussière. Videz-le fréquemment, après avoir fini de percer et avant de ranger l'outil. Prenez beaucoup de précautions lorsque vous jetez la poussière contenue dans le réservoir à poussière car les matériaux consistant en fines particules peuvent être explosifs.

Remarque : n'utilisez pas le dispositif d'extraction de la poussière lorsque vous burinez, vissez ou filetez.

Le dispositif d'extraction de la poussière se rétracte pendant le fonctionnement de façon que le pare-

poussière soit toujours proche de la surface que vous êtes en train de percer.

Le dispositif d'extraction de la poussière se met automatiquement en marche/à l'arrêt en même temps que l'outil électrique.

Veillez tenir compte des directives suivantes pour assurer l'efficacité maximum du dispositif d'extraction de la poussière :

- La mèche de la perceuse utilisée ne doit pas dépasser le niveau du pare-poussière, comme on peut le voir sur les figures 13 & 14. (Exemple pour une mèche de perceuse SDS-plus : longueur totale maximum d'environ 160 mm, longueur de travail utile d'environ 100 mm).
- Assurez-vous que le pare-poussière est de niveau avec l'ouvrage ou le mur. Ceci permet également de faciliter le travail à angle droit.
- Après avoir atteint la profondeur de perçage désirée, retirez la mèche de la perceuse du trou et éteignez ensuite l'outil.
- Inspectez périodiquement l'état du microfiltre. Remplacez immédiatement un microfiltre endommagé.

RETRAIT ET INSTALLATION DU DISPOSITIF D'EXTRACTION DE LA POUSSIÈRE

Pour retirer le dispositif d'extraction de la poussière, appuyez sur le bouton de retrait du dispositif d'extraction de la poussière et, tout en maintenant le bouton enfoncé, retirez le dispositif d'extraction du boîtier de l'outil (Fig. 5).

Pour installer le dispositif d'extraction de la poussière, alignez les rainures du guide avec les rainures du boîtier de l'outil, et appuyez sur l'outil jusqu'à ce que vous entendiez qu'il se verrouille en place (Fig. 5).

RÉSERVOIR À POUSSIÈRE AVEC MICROFILTRE

Le dispositif d'extraction de la poussière incorporé recueille la poussière dans un réservoir fourni avec votre dispositif d'extraction.

Il est facile de déterminer le niveau de remplissage du réservoir à poussière grâce à sa porte transparente (Fig. 6).

Videz fréquemment le réservoir à poussière pendant le fonctionnement pour assurer l'efficacité maximum du dispositif d'extraction de la poussière.

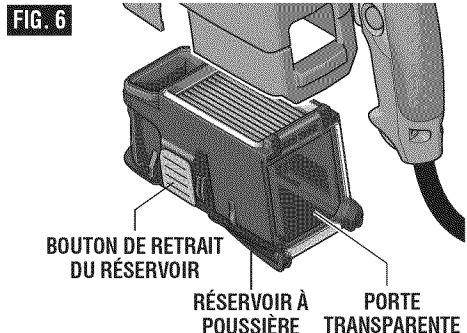
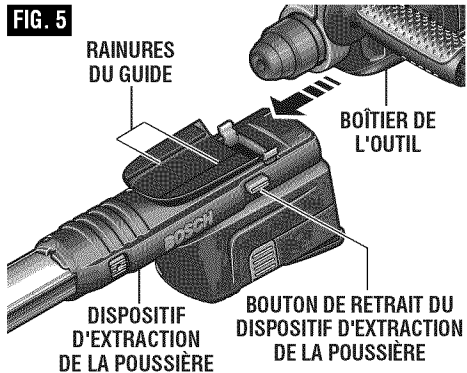
RETRAIT DU RÉSERVOIR À POUSSIÈRE

Pour retirer le réservoir à poussière, appuyez sur les deux boutons de retrait du réservoir à poussière et tirez sur le réservoir pour le faire sortir en l'inclinant vers le bas du dispositif d'extraction de la poussière (Fig. 6).

NETTOYAGE ET VIDAGE DU RÉSERVOIR À POUSSIÈRE
Avant d'ouvrir le réservoir à poussière, tapotez-le doucement contre une surface ferme afin de détacher la poussière du microfiltre.

Ouvrez la porte transparente et videz le réservoir à poussière. Fermez la porte transparente.

Inspectez le microfiltre pour déterminer s'il est endommagé ou non. Remplacez-le immédiatement s'il est endommagé.



INSTALLATION DU RÉSERVOIR À POUSSIÈRE

Pour installer le réservoir à poussière, poussez le réservoir vers le haut à l'intérieur du dispositif d'extraction de la poussière jusqu'à ce que vous entendiez qu'il se verrouille en place (Fig. 6).

REMPACEMENT DU MICROFILTRE

Pour assurer l'efficacité maximum, le microfiltre doit être remplacé après environ 15 heures de fonctionnement.

Retirez le réservoir à poussière du dispositif d'extraction de la poussière (Fig. 6).

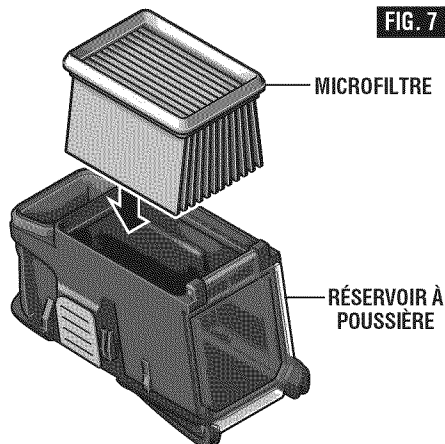
Tirez le microfiltre vers le haut et retirez le filtre usagé ou endommagé du réservoir à poussière (Fig. 7).

Insérez un nouveau microfiltre dans le réservoir à poussière et réinstallez le réservoir à poussière (Fig. 7).

Remarque : si le microfiltre est endommagé (p. ex., trous, endommagement du matériau d'étanchéité doux), il faut le remplacer immédiatement. L'outil électrique risque d'être endommagé s'il est utilisé avec un microfiltre endommagé.

Remplacez également le microfiltre lorsque la performance d'aspiration n'est pas satisfaisante, même si le réservoir à poussière est vide.

FIG. 7



RÉSERVOIR À POUSSIÈRE COMPATIBLE AVEC UN ASPIRATEUR

(non inclus, disponible comme accessoire)

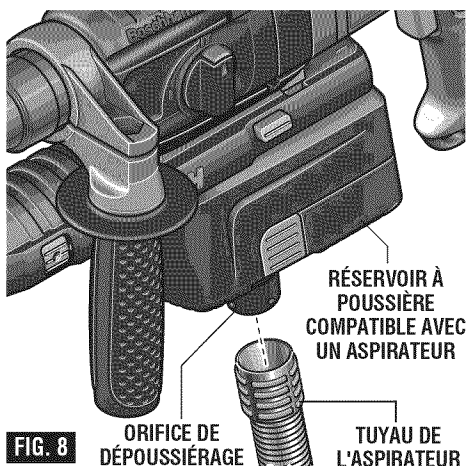
Pour dépoussiérer avec un aspirateur, un réservoir à poussière compatible avec un aspirateur (en option) peut être inséré dans le dispositif d'extraction de la poussière au lieu du réservoir à poussière le cas échéant.

Appuyez sur les deux boutons de retrait du réservoir et tirez sur le réservoir, vers le bas, puis retirez-le du dispositif d'extraction de la poussière (Fig. 6).

Installez le réservoir à poussière compatible avec un aspirateur vers le haut du dispositif d'extraction de la poussière jusqu'à ce que vous l'entendiez se verrouiller en place (Fig. 8).

Pour utiliser cet accessoire, attachez le tuyau de l'aspirateur (accessoire en option) à l'orifice de dépoussiérage, puis connectez le bout opposé du tuyau de l'aspirateur à un aspirateur industriel. Un raccord de tuyau d'aspirateur (accessoire en option) est disponible pour connecter cet outil à un tuyau d'aspirateur de 1 1/4 po ou 1 1/2 po (Fig. 8).

L'aspirateur doit être approprié pour le matériau à percer.



JAUGE DE PROFONDEUR

Votre profondeur de perçage X peut être réglée à l'avance et/ou répétée grâce à l'emploi de la jauge de profondeur.

Après avoir installé la poignée auxiliaire, assurez-vous que l'accessoire a été inséré complètement dans le mandrin avant de régler la jauge de profondeur.

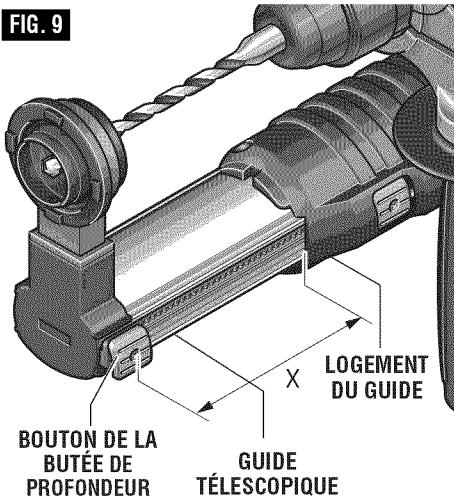
Réglez la jauge de profondeur en comprimant le guide télescopique en direction de l'outil. Lorsque la longueur de mèche désirée aura été exposée, appuyez sur le bouton de la butée de profondeur et faites-le glisser contre le logement du guide, puis relâchez le bouton (Fig. 9). La jauge de profondeur est à ressort et retournera dans sa position totalement allongée lorsque la pression aura été relâchée.

(Lors du perçage, le guide télescopique se comprimera jusqu'à ce qu'il s'enclenche dans le bouton de la butée de profondeur.)

RÉGLAGE DU GUIDE TÉLESCOPIQUE EN FONCTION DE LA LONGUEUR DE MÈCHE DÉSIÉRÉE

Pour permettre un fonctionnement pratique lors de l'utilisation de mèches de perçage courtes, la longueur du guide télescopique peut être réglée à la valeur désirée.

FIG. 9



Pour régler la longueur, appuyez sur le bouton de réglage du guide et maintenez-le enfoncé, puis comprimez le guide télescopique jusqu'à ce que le pare-poussière soit placé près de la pointe de la mèche de perçage (Fig. 10). Relâchez le bouton pour verrouiller en position.

Pour déverrouiller la position, appuyez à nouveau sur le bouton de réglage du guide.

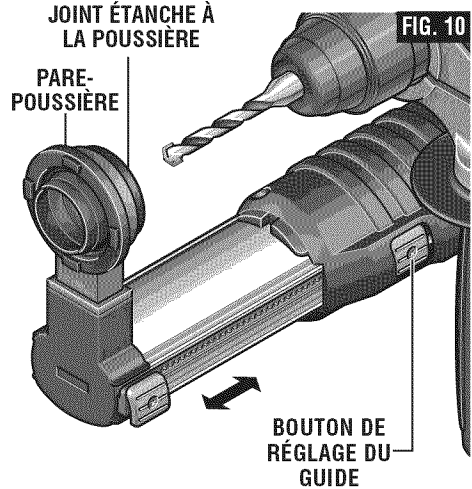


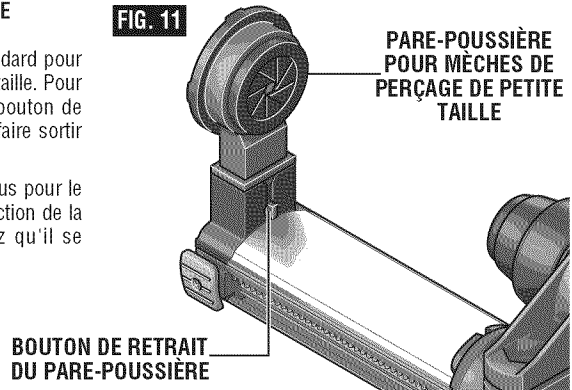
FIG. 10

PARE-POUSSIÈRE POUR MÈCHES DE PERÇAGE DE PETITE TAILLE

Votre outil est muni d'un pare-poussière standard pour emploi avec les mèches de perçage de petite taille. Pour changer le pare-poussière, appuyez sur le bouton de retrait et tirez sur le pare-poussière pour le faire sortir du dispositif d'extraction de la poussière.

Pour insérer le pare-poussière, appuyez dessus pour le faire entrer dans le bout du dispositif d'extraction de la poussière jusqu'à ce que vous entendiez qu'il se verrouille en place (Fig. 11).

FIG. 11



PARE-POUSSIÈRE POUR LES MÈCHES EMPORTE-PIÈCE DE 1 1/2 po DE CAPACITÉ MAXIMUM (Non inclus, disponible comme accessoire)

Lors de l'utilisation de mèches emporte-pièce, le pare-poussière pour les mèches de perçage de petite taille

doit être retiré et remplacé par un pare-poussière spécialement conçu pour les mèches emporte-pièce (accessoire en option).

Lors de l'utilisation du pare-poussière pour mèches emporte-pièce (accessoire en option), le réservoir à

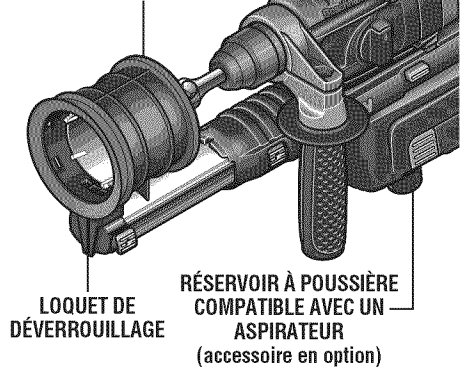
poussière compatible avec un aspirateur (accessoire en option) doit être utilisé pour le dépoussiérage à la place du réservoir à poussière standard (Fig. 12). Si nécessaire, retirez le pare-poussière pour mèches de perçage de petite taille.

Pour insérer le pare-soleil pour mèches emporte-pièce, appuyez dessus depuis le haut pour le faire entrer dans le dispositif d'extraction de la poussière jusqu'à ce que vous l'entendiez se verrouiller en place (Fig. 12).

Pour retirer le pare-poussière pour mèches emporte-pièce, poussez sur le loquet de déverrouillage en direction de l'extérieur et tirez sur le pare-poussière pour le faire sortir.

FIG. 12

**PARE-POUSSIÈRE POUR MÈCHES
EMPORTE-PIÈCE DE 1 1/2 PO**
(accessoire en option)



Consignes de fonctionnement

GÂCHETTE DE COMMANDE À VITESSE VARIABLE

Votre outil est équipé d'une gâchette à vitesse variable. La vitesse de l'outil peut être contrôlée du régime minimum au régime maximum spécifiés sur la plaque signalétique par la pression que vous exercez sur la gâchette. Exercez plus de pression pour augmenter la vitesse et relâchez la pression pour diminuer la vitesse. Cette commande précise de la vitesse vous permet de percer sans poinçonnage central. Elle vous permet également d'utiliser l'outil comme tournevis électrique. Des forets sont offerts pour enfoncer des vis aussi bien que pour tourner des boulons et des écrous (Fig. 1).

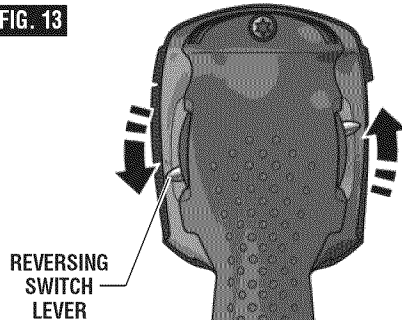
LEVIER DE L'INTERRUPTEUR D'INVERSION DE MARCHÉ

Cet outil est pourvu du système inversion de marche des brosses rotatives. Ce système prolonge la vie utile tout en optimisant la puissance en marches avant et arrière. Cet interrupteur d'inversion peut être actionné depuis le côté droit ou gauche de l'outil.

POUR LA ROTATION AVANT : faites glisser l'interrupteur jusqu'à la flèche marquée « forward » (Fig. 13).

POUR LA ROTATION INVERSE : faites glisser l'interrupteur jusqu'à la flèche marquée « reverse ».
REMARQUE : l'outil ne fonctionnera pas en position intermédiaire.

FIG. 13



EMBAYAGE À GLISSEMENT

L'outil possède un embrayage interne pré-réglé. L'embrayage est réglé de manière à ce qu'une force suffisante soit transmise à la mèche pour la plupart des conditions de perçage, mais il glissera lorsque la mèche grippe dans le trou ou que l'outil est surchargé. Sachez qu'en raison du réglage requis de l'embrayage, vous pouvez être confronté à une réaction de couple un instant avant que l'embrayage ne glisse. Cette réaction de couple tordra le corps du marteau rotatif dans le

sens opposé à celui de la rotation de la mèche, à savoir, en sens anti-horaire. À mesure que l'embrayage glissera, la mèche cessera fort probablement de tourner. Lorsque la force de grippage est retirée de la mèche, l'embrayage se remet automatiquement à sa position initiale. Si vous faites l'expérience d'un grippage de la mèche et que l'embrayage commence à glisser, mettez immédiatement l'outil à l'arrêt «OFF» et corrigez la condition menant au grippage de la mèche.

CADRAN DE SÉLECTION DE PERCEUSE/PERCEUSE À PERCUSSION

Le cadran sélecteur permet de régler l'outil en fonction de différentes applications de perçage ou de perçage à percussion. Appuyez sur le bouton de déclenchement et tournez le cadran sélecteur à droite ou à gauche suivant les applications ci-après.

▲ MISE EN GARDE N'actionnez pas le cadran sélecteur avant que l'outil ne se soit arrêté complètement. Le mouvement durant la rotation du mandrin peut endommager l'outil.

N'utilisez pas de forets de démolition ou de burinage tels que pointes de sautage, burins, vrilles, gouges, etc.



Action de perçage seulement : Pour percer dans les bois, les métaux, les plastiques ou autres matériaux à l'exception du béton.



Action de perçage avec percussion : Pour percer dans le béton, l'asphalte, le carrelage ou autres matériaux durs similaires.

Conseils pratiques

Le fait d'observer quelques simples conseils réduira l'usure de l'outil et le risque de blessures.

REMARQUE : Le marteau rotatif ne produira les résultats attendus que si vous l'équipez d'embouts bien affûtés et en parfait état. Les frais d'entretien de l'équipement sont minimes comparés au temps que vous épargnez.

Tous les marteaux ont besoin d'un court temps de préchauffe. Selon la température de la pièce, le temps peut varier de 15 secondes (90°F) à 2 minutes (32°F). Un marteau neuf n'atteindra sa pleine performance qu'après avoir fait l'objet de rodage approprié, à savoir jusqu'à 5 heures de fonctionnement.

Forets à pointe au carbure: Utilisés pour le perçage dans la pierre, le béton, la brique, le ciment et d'autres matériaux non métalliques anormalement durs. Le marteau rotatif convient aux forets à pointe de carbure «SDS» de diamètre allant jusqu'à 3/4 de pouce.

Pour votre sécurité, souvenez-vous:

1. Certains matériaux doivent être percés aux basses vitesses, alors qu'avec d'autres les hautes vitesses produisent de meilleurs résultats.
2. Il importe de bien assujettir le matériau à percer et de maintenir une pression uniforme en ligne avec le foret.
3. Arrêtez de peser dès que le foret traverse le côté opposé du matériau et maintenez l'outil en marche durant le retrait du foret.

Les matériaux tels que le verre, la porcelaine, la céramique, la tuile, le plastique, etc. devraient être percés à basse vitesse avec les forets appropriés et de l'huile.

PERÇAGE DANS LE BOIS OU LE PLASTIQUE

▲ MISE EN GARDE Ne pas percer dans du bois avec le dispositif d'extraction de la poussière installé. La plupart des copeaux de bois sont trop grands et causeraient l'obstruction du canal de dépoussiérage.

Si un bloc d'appui n'est pas utilisé, relâchez la pression immédiatement avant que le foret ne traverse le bois afin d'éviter l'éclatement du bois. Terminez le trou du côté opposé immédiatement après que la pointe ait traversé. Si le foret se grippe, inversez l'opération de perçage pour aider à retirer le foret de la pièce.

PERÇAGE DANS LE MÉTAL

▲ AVERTISSEMENT Ne pas percer dans du métal avec le dispositif d'extraction de la poussière installé. Des fragments de métal très chauds risqueraient de s'enflammer ou de mettre feu à certaines parties du dispositif d'extraction de la poussière.

Pratiquez un trou central au poinçon dans le matériau pour faciliter l'approche. Utilisez suffisamment de pression pour que le foret continue à couper. Si on laisse le foret tourner tout simplement dans le trou, il s'émoussera rapidement. Pour percer un trou de dimensions plus grandes, il est plus rapide et plus facile pour votre bloc-piles de pratiquer d'abord un trou plus petit, puis de l'agrandir aux dimensions nécessaires. Lubrifiez parfois la pointe du foret à l'aide d'HUILE DE COUPE pour faciliter le perçage des métaux. Si le foret se grippe, inversez l'opération de perçage pour aider à retirer le foret de la pièce.

PERÇAGE À TRAVERS LA MAÇONNERIE

Utilisez un foret de maçonnerie à pointe en carbure pour les agglomérés, le mortier, la brique ordinaire, la pierre tendre et autres matériaux. La quantité de pression à

utiliser dépend du type de matériau percé. Les matériaux doux nécessitent moins de pression, tandis que les matériaux durs nécessitent plus de pression afin d'empêcher la mèche de perçage de sauter.

Entretien

Service

⚠ AVERTISSEMENT Tout entretien préventif effectué par des personnels non autorisés peut résulter en mauvais placement de fils internes ou de pièces, ce qui peut présenter un danger grave. Nous vous conseillons de faire faire tout l'entretien par un centre de service d'usine Bosch ou une station service agréée Bosch.

LUBRIFICATION DE L'OUTIL

Votre outil Bosch a été lubrifié correctement en usine et il est prêt à l'utilisation. Nous vous conseillons de re-graisser les outils qui comportent des engrenages avec un lubrifiant à engrenages spécial à chaque fois que vous changez les balais.

BALAIS OU CHARBONS

Les balais (ou charbons) et le collecteur de votre outil ont été conçus pour apporter de nombreuses heures de fonctionnement fiable. Pour maintenir le rendement du moteur à son maximum, nous vous conseillons de contrôler les balais tous les deux à six mois. Il ne faut utiliser que des balais de rechange Bosch d'origine et conçus pour votre outil.

PALIER

Après environ 300 à 400 heures de fonctionnement ou tous les deux changements de balais, il est conseillé

de faire remplacer les paliers par un centre de service d'usine Bosch ou une station service agréée Bosch. Si les paliers commencent à faire du bruit (à cause de surcharges importantes ou du touillage de matériaux très abrasifs) il faut les faire remplacer immédiatement pour éviter la surchauffe ou une panne de moteur.

Nettoyage

⚠ AVERTISSEMENT Pour éviter les accidents, il faut toujours débrancher l'outil avant de le nettoyer ou de l'entretenir. Le meilleur moyen de nettoyer l'outil est d'utiliser de l'air comprimé sec. Il faut toujours porter des lunettes de protection quand on utilise de l'air comprimé.

Les ouïes de ventilation et les leviers de l'interrupteur doivent rester propres et exempts de corps étrangers. Ne tentez pas de les nettoyer en enfonçant des objets pointus dans les orifices.

⚠ AVERTISSEMENT Certains agents de nettoyage et certains dissolvants abîment les pièces en plastique. Parmi ceux-ci se trouvent: l'essence, le tétrachlorure de carbone, les dissolvants de nettoyage chlorés, l'ammoniaque ainsi que les détergents domestiques qui en contiennent.

Cordons de rallonge

⚠ AVERTISSEMENT Si un cordon de rallonge s'avère nécessaire, vous devez utiliser un cordon avec conducteurs de dimension adéquate pouvant porter le courant nécessaire à votre outil. Ceci prévient une chute excessive de tension, une perte de courant ou une surchauffe. Les outils mis à la terre doivent utiliser des cordons de rallonge trifilaires pourvus de fiches à trois broches ainsi que des prises à trois broches.

REMARQUE : Plus le calibre est petit, plus le fil est gros.

DIMENSIONS DE RALLONGES RECOMMANDÉES OUTILS 120 VOLTS COURANT ALTERNATIF

Intensité nominale de l'outil	Calibre A.W.G.				Calibre en mm ²			
	Longueur en pieds		Longueur en mètres		Longueur en pieds		Longueur en mètres	
	25	50	100	150	15	30	60	120
3-6	18	16	16	14	0,75	0,75	1,5	2,5
6-8	18	16	14	12	0,75	1,0	2,5	4,0
8-10	18	16	14	12	0,75	1,0	2,5	4,0
10-12	16	16	14	12	1,0	2,5	4,0	—
12-16	14	12	—	—	—	—	—	—

Accessoires

- * Poignée auxiliaire 360°
 - * Dispositif d'extraction de la poussière
 - * Pare-poussière
 - * Joint étanche à la poussière
 - ** Pare-poussière (pour les scies cloches)
 - ** Réservoir à poussière compatible avec un aspirateur
 - ** Adaptateur pour tuyau d'aspiration
 - ** Tuyau de l'aspirateur
 - * Étui
- (* = équipement standard)
(** = accessoire en option)

Non recommandé pour emploi avec le mandrin à trois mors et l'adaptateur de mandrin SDS droit

Normas generales de seguridad



ADVERTENCIA

Lea todas las instrucciones. Si no se siguen todas las instrucciones que aparecen a continuación, el resultado podría ser sacudidas eléctricas, incendio y/o lesiones graves.

La expresión "herramienta mecánica" en todas las advertencias que aparecen a continuación se refiere a su herramienta mecánica alimentada por la red eléctrica (herramienta alámbrica) o su herramienta mecánica alimentada por baterías (herramienta inalámbrica).

GUARDE ESTAS INSTRUCCIONES

Seguridad del área de trabajo

Mantenga el área de trabajo limpia y bien iluminada. Las áreas desordenadas u oscuras invitan a que se produzcan accidentes.

No utilice herramientas mecánicas en atmósferas explosivas, como por ejemplo en presencia de líquidos, gases o polvos inflamables. Las herramientas mecánicas generan chispas que pueden incendiar el polvo o los vapores.

Mantenga alejados a los niños y a las personas que estén presentes mientras esté utilizando una herramienta mecánica. Las distracciones pueden hacerle perder el control de la herramienta.

Seguridad eléctrica

Los enchufes de las herramientas mecánicas deben coincidir con el tomacorriente. No modifique nunca el enchufe de ningún modo. No use enchufes adaptadores con herramientas mecánicas conectadas a tierra (puestas a tierra). Los enchufes no modificados y los tomacorrientes coincidentes reducirán el riesgo de sacudidas eléctricas.

Evite el contacto del cuerpo con las superficies conectadas o puestas a tierra, tales como tuberías, radiadores, estufas y refrigeradores. Hay un aumento del riesgo de sacudidas eléctricas si el cuerpo del operador se conecta o pone a tierra.

No exponga las herramientas mecánicas a la lluvia o a condiciones mojadas. La entrada de agua en una herramienta mecánica aumentará el riesgo de que se produzcan sacudidas eléctricas.

No maltrate el cordón de energía. No use nunca el cordón para transportar la herramienta mecánica, tirar de ella o desenchufarla. Mantenga el cordón alejado del calor, el aceite, los bordes afilados o las piezas móviles. Los cordones dañados o enganchados aumentan el riesgo de que se produzcan sacudidas eléctricas.

Cuando utilice una herramienta mecánica en el exterior, use un cordón de extensión adecuado para uso a la intemperie. La utilización de un cordón adecuado para uso a la intemperie reduce el riesgo de que se produzcan sacudidas eléctricas.

No use herramientas mecánicas con capacidad nominal solamente para CA con una fuente de energía de CC. Aunque pueda parecer que la

herramienta funciona correctamente, es probable que los componentes eléctricos de la herramienta con capacidad nominal para CA fallen y creen un peligro para el operador.

Si es inevitable usar la herramienta mecánica en lugares húmedos, se debe utilizar un interruptor de circuito accionado por corriente de pérdida a tierra (GFCI) para suministrar energía a la herramienta. Un GFCI y los dispositivos de protección personal, como guantes de goma y calzado de goma de electricista, mejorarán más su seguridad personal.

Seguridad personal

Manténgase alerta, fíjese en lo que está haciendo y use el sentido común cuando esté utilizando una herramienta mecánica. No use una herramienta mecánica cuando esté cansado o bajo la influencia de drogas, alcohol o medicamentos. Un momento de distracción mientras esté utilizando herramientas mecánicas podría causar lesiones corporales graves.

Use equipo de seguridad. Use siempre protección de los ojos. El equipo de seguridad, como por ejemplo una máscara antipolvo, calzado de seguridad antideslizante, casco o protección de oídos, utilizado para las condiciones apropiadas, reducirá las lesiones corporales.

Evite el arranque accidental. Asegúrese de que el interruptor esté en la posición de apagado antes de enchufar la herramienta. Si se transportan herramientas mecánicas con el dedo en el interruptor o se enchufan herramientas mecánicas que tienen el interruptor en la posición de encendido, se invita a que se produzcan accidentes.

Quite todas las llaves de ajuste o de tuerca antes de encender la herramienta mecánica. Una llave de tuerca o de ajuste que se deje colocada en una pieza giratoria de la herramienta mecánica podría causar lesiones corporales.

No intente alcanzar demasiado lejos. Mantenga un apoyo de los pies y un equilibrio apropiados en todo momento. Esto permite controlar mejor la herramienta mecánica en situaciones inesperadas.

Vístase adecuadamente. No use ropa holgada ni alhajas holgadas. Mantenga el pelo, la ropa y los guantes alejados de las piezas móviles. La ropa holgada, las alhajas holgadas o el pelo largo pueden quedar atrapados en las piezas móviles.

Si se proporcionan dispositivos para la conexión de instalaciones de extracción y recolección de polvo, asegúrese de que dichas instalaciones estén conectadas y se usen correctamente. El uso de estos dispositivos puede reducir los peligros relacionados con el polvo.

Mantenga los mangos secos, limpios y libres de aceite y grasa. Las manos resbalosas no pueden controlar de modo seguro la herramienta mecánica.

Uso y cuidado de las herramientas mecánicas

No fuerce la herramienta mecánica. Use la herramienta mecánica correcta para la aplicación que desee realizar. La herramienta mecánica correcta hará el trabajo mejor y con más seguridad a la capacidad nominal para la que fue diseñada.

No use la herramienta mecánica si el interruptor no la enciende y apaga. Toda herramienta mecánica que no se pueda controlar con el interruptor es peligrosa y debe ser reparada.

Desconecte el enchufe de la fuente de energía y/o el paquete de batería de la herramienta mecánica antes de hacer cualquier ajuste, cambiar accesorios o almacenar herramientas mecánicas. Dichas medidas preventivas de seguridad reducen el riesgo de arrancar accidentalmente la herramienta mecánica.

Guarde las herramientas que no esté usando fuera del alcance de los niños y no deje que personas que no estén familiarizadas con la herramienta mecánica o con estas instrucciones utilicen la herramienta. Las herramientas mecánicas son peligrosas en manos de usuarios que no hayan recibido capacitación.

Mantenga las herramientas mecánicas. Compruebe si hay piezas móviles desalineadas o que se atoran, si hay piezas rotas y si existe cualquier otra situación que podría afectar el funcionamiento de la herramienta mecánica. Si la herramienta mecánica está dañada, haga que la reparen antes de usarla.

Muchos accidentes son causados por herramientas mecánicas mantenidas deficientemente.

Mantenga las herramientas de corte afiladas y limpias. Es menos probable que las herramientas de corte mantenidas apropiadamente, con bordes de corte afilados, se atoren, y dichas herramientas son más fáciles de controlar.

Use la herramienta mecánica, los accesorios, las brocas de la herramienta, etc., de acuerdo con estas instrucciones y de la manera prevista para el tipo específico de herramienta mecánica, teniendo en cuenta las condiciones de trabajo y el trabajo que se vaya a realizar. El uso de la herramienta mecánica para operaciones distintas a aquéllas para las que fue diseñada podría causar una situación peligrosa.

Use abrazaderas u otro modo práctico de sujetar y soportar la pieza de trabajo en una plataforma estable. Si se sujeta la pieza de trabajo con la mano o contra el cuerpo, se crea una situación inestable que podría causar pérdida de control.

Servicio de ajustes y reparaciones

Haga que su herramienta mecánica reciba servicio de un técnico de reparaciones calificado, utilizando únicamente piezas de repuesto idénticas. Esto asegurará que se mantenga la seguridad de la herramienta mecánica.

Desarrolle un programa de mantenimiento periódico de la herramienta. Cuando limpie una herramienta, tenga cuidado de no desmontar ninguna de sus partes, ya que los cables internos podrían reubicarse incorrectamente o pellizcarse, o los resortes de retorno de los protectores de seguridad podrían montarse incorrectamente. Ciertos agentes de limpieza, tales como gasolina, tetracloruro de carbono, amoníaco, etc., podrían dañar las piezas de plástico.

Riesgo de lesiones para el usuario. El cordón de energía debe recibir servicio de ajustes y reparaciones solamente por un Centro de Servicio de Fábrica Bosch o una Estación de Servicio Bosch Autorizada.

GUARDE ESTAS INSTRUCCIONES

Normas de seguridad para martillos giratorios

Sujete la herramienta por las superficies de agarre aisladas cuando realice una operación en la que la herramienta de corte pueda entrar en contacto con cables ocultos o con su propio cordón. El contacto con un cable que tenga corriente hará que ésta pase a las partes metálicas descubiertas de la herramienta y que el operador reciba sacudidas eléctricas.

Use abrazaderas u otro modo práctico de sujetar y soportar la pieza de trabajo en una plataforma estable. Si se sujeta la pieza de trabajo con la mano o contra el cuerpo, se crea una situación inestable que podría causar pérdida de control.

No taladre, rompa, ni haga trabajo de sujeción en paredes existentes ni en otras áreas ciegas donde pueda haber cables eléctricos. Si esta situación es inevitable, desconecte todos los fusibles o cortacircuitos que alimentan este sitio de trabajo.

Use protectores de oídos cuando utilice la herramienta durante períodos prolongados. La exposición prolongada a ruido de alta intensidad puede causar pérdida de audición.

Utilice un detector de metales para determinar si hay tuberías de gas o de agua ocultas en el área de trabajo

o llame a la compañía local de servicios públicos para obtener asistencia antes de comenzar la operación. Golpear o cortar una tubería de gas producirá una explosión. La entrada de agua en un dispositivo eléctrico puede causar electrocución.

Use siempre el mango auxiliar para tener un control máximo sobre la reacción de par motor o retroceso. Los taladros de par motor alto y capacidad de mandril de 3/8" y mayor están equipados con mangos auxiliares.

Use siempre gafas de seguridad o protección de los ojos cuando utilice esta herramienta. Use una máscara antipolvo o un respirador para aplicaciones que generan polvo.

Use guantes con almohadillado grueso y limite el tiempo de exposición tomando frecuentes períodos de descanso. La vibración causada por la acción de percusión y taladrado puede ser perjudicial para las manos y los brazos.

Fije el material que se está taladrando. Nunca lo tenga en las manos ni sobre las piernas. Un soporte inestable puede hacer que la broca taladradora se atasque, causando pérdida de control y lesiones.

Nunca deje el gatillo fijo en la posición "ON" (encendido). Antes de enchufar la herramienta, compruebe que el cierre del gatillo esté en la posición "OFF" (apagado). Un arranque accidental podría causar lesiones.

Posicione el cordón de modo que esté alejado de la broca que gira. No enrolle el cordón alrededor del brazo o de la muñeca. Si pierde el control y tiene el cordón enrollado en el brazo o en la muñeca, el cordón puede atraparle y causarle lesiones.

Sitúese de modo que evite ser atrapado entre la herramienta o el mango lateral y las paredes o los postes. Si la broca se atasca o se engancha en la pieza de trabajo, el par motor de reacción de la herramienta podría aplastarle la mano o la pierna.

Si la broca se atasca en la pieza de trabajo, suelte el gatillo inmediatamente, invierta el sentido de giro y apriete lentamente el gatillo para sacar la broca. Está preparado para un fuerte par motor de reacción. El cuerpo del taladro tenderá a torcerse en sentido contrario al del giro de la broca.

No agarre la herramienta ni ponga las manos demasiado cerca del mandril o la broca taladradora que gira. Podría sufrir laceraciones en la mano.

Al instalar una broca taladradora, introduzca el cuerpo de la broca bien a fondo entre las mordazas del mandril. Si la broca no se introduce hasta una profundidad suficiente, se reduce el agarre de las mordazas sobre la broca y se aumenta la pérdida de control.

No utilice brocas ni accesorios desafilados o dañados. Las brocas o accesorios desafilados o dañados tienen mayor tendencia a atascarse en la pieza de trabajo.

Al sacar la broca de la herramienta, evite el contacto con la piel y use guantes protectores adecuados al agarrar la broca o el accesorio. Los accesorios pueden estar calientes después de un uso prolongado.

Compruebe que las llaves de ajuste y de tuerca se hayan quitado del taladro antes de encender la herramienta. Las llaves de ajuste o de tuerca pueden salir despedidas a gran velocidad y golpearle a usted o golpear a alguien que se esté presente.

No tenga en marcha el taladro mientras lo lleva a su lado. Una broca taladradora que gira podría engancharse en la ropa y producir lesiones.

⚠ ADVERTENCIA Cierta polvo generado por el lijado, aserrado, amolado y taladrado mecánicos, y por otras actividades de construcción, contiene agentes químicos que se sabe que causan cáncer, defectos de nacimiento u otros daños sobre la reproducción. Algunos ejemplos de estos agentes químicos son:

- Plomo de pinturas a base de plomo,
- Sílice cristalina de ladrillos y cemento y otros productos de mampostería, y
- Arsénico y cromo de madera tratada químicamente.

Su riesgo por causa de estas exposiciones varía, dependiendo de con cuánta frecuencia realice este tipo de trabajo. Para reducir su exposición a estos agentes químicos: trabaje en un área bien ventilada y trabaje con equipo de seguridad aprobado, como por ejemplo máscaras antipolvo que estén diseñadas especialmente para impedir mediante filtración el paso de partículas microscópicas.

Símbolos

IMPORTANTE: Es posible que algunos de los símbolos siguientes se usen en su herramienta. Por favor, estúdielos y aprenda su significado. La interpretación adecuada de estos símbolos le permitirá utilizar la herramienta mejor y con más seguridad.

Símbolo	Nombre	Designación/explicación
V	Volt	Tensión (potencial)
A	Ampere	Corriente
Hz	Hertz	Frecuencia (ciclos por segundo)
W	Watt	Potencia
kg	Kilogramo	Peso
min	Minuto	Tiempo
s	Segundo	Tiempo
∅	Diámetro	Tamaño de las brocas taladradoras, muelas, etc.
n_0	Velocidad sin carga	Velocidad rotacional sin carga
.../min	Revoluciones o alternación por minuto	Revoluciones, golpes, velocidad de superficie, órbitas, etc., por minuto
0	Posición "off" (apagado)	Velocidad cero, par motor cero...
1, 2, 3, ... I, II, III,	Graduaciones del selector	Graduaciones de velocidad, par motor o posición. Un número más alto significa mayor velocidad
	Selector infinitamente variable con apagado	La velocidad aumenta desde la graduación de 0
	Flecha	Acción en la dirección de la flecha
	Corriente alterna	Tipo o una característica de corriente
	Corriente continua	Tipo o una característica de corriente
	Corriente alterna o continua	Tipo o una característica de corriente
	Construcción de clase II	Designa las herramientas de construcción con aislamiento doble.
	Terminal de toma de tierra	Terminal de conexión a tierra
	Símbolo de advertencia	Alerta al usuario sobre mensajes de advertencia
	Sello RBRC™ de Ni-Cd	Designa el programa de reciclaje de baterías de Ni-Cd



Este símbolo indica que esta herramienta está catalogada por Underwriters Laboratories.



Este símbolo indica que Underwriters Laboratories ha catalogado esta herramienta indicando que cumple las normas canadienses.



Este símbolo indica que esta herramienta cumple con la norma mexicana oficial (NOM).



Este símbolo indica que esta herramienta está catalogada por la Canadian Standards Association.



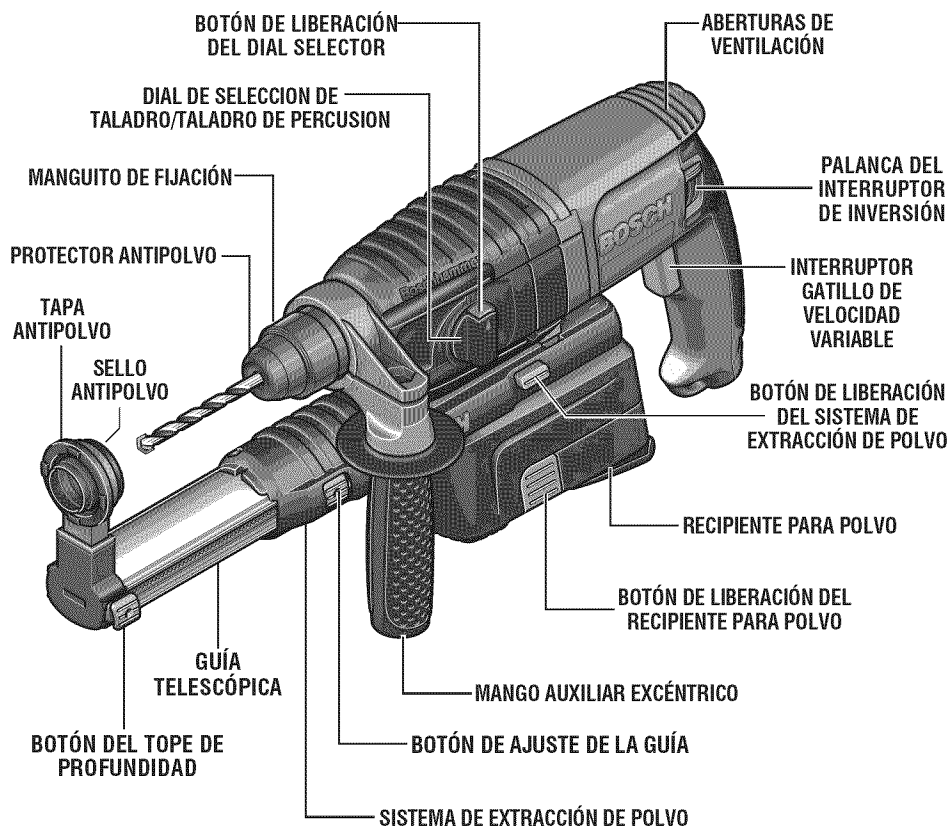
Este símbolo indica que esta herramienta está catalogada por Underwriters Laboratories y que Underwriters Laboratories la ha catalogado según las normas canadienses.

Descripción funcional y especificaciones

ADVERTENCIA Desconecte el enchufe de la fuente de energía antes de realizar cualquier ensamblaje o ajuste, o cambiar accesorios. Estas medidas de seguridad preventivas reducen el riesgo de arrancar la herramienta accidentalmente.

Martillo giratorio

FIG. 1



Número de modelo 11250VSRD
 Estilo de cuerpo SDS-Plus®

Capacidad máxima:

Hormigón	19 mm
Acero	13 mm
Madera	19 mm
Brocas con punta de carburo	19 mm
Brocas huecas de pared delgada	38 mm

NOTA: Para obtener las especificaciones de la herramienta, consulte la placa del fabricante colocada en la herramienta.

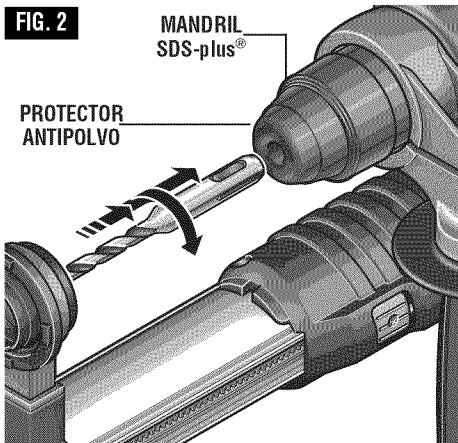
Ensamblaje

⚠ ADVERTENCIA Desconecte el enchufe de la fuente de energía antes de realizar cualquier ensamble o ajuste, o cambiar accesorios. Estas medidas de seguridad preventivas reducen el riesgo de arrancar la herramienta accidentalmente.

INSTALACIÓN DE ACCESORIOS SDS-PLUS®

Limpe el extremo de inserción del cuerpo del accesorio para quitar los residuos que éste pueda tener y luego engráselo ligeramente con un aceite o lubricante ligero.

Introduzca el accesorio en el mandril a través del protector antipolvo a la vez que lo hace girar y lo empuja hacia adentro hasta que quede fijo en su sitio automáticamente. Tire del accesorio hacia afuera para asegurarse de que ha quedado fijo dentro del soporte de la mandril (Fig. 2).

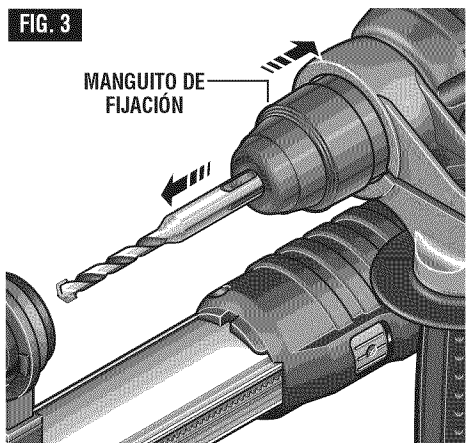


NOTA: La alta eficiencia proporcionada por los martillos giratorios sólo se puede obtener si se utilizan accesorios afilados y sin daños. El "costo" de mantener accesorios afilados y sin daños es sobradamente compensado por el "tiempo que se ahorra" al hacer funcionar la herramienta con accesorios afilados.

REMOCIÓN DE ACCESORIOS SDS-PLUS®

⚠ ADVERTENCIA Los accesorios pueden estar calientes después de la utilización. Evite el contacto con la piel y utilice guantes de protección o un paño protector adecuados para quitar dichos accesorios.

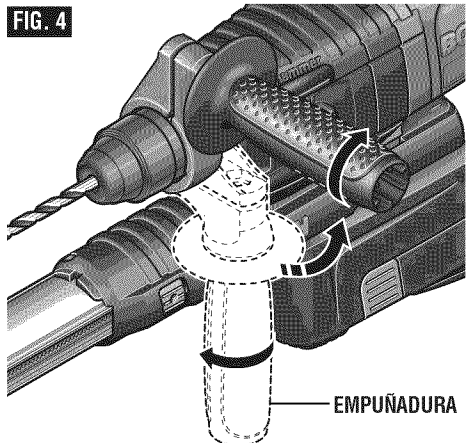
Para quitar un accesorio, tire hacia atrás del mango de fijación, sujételo y tire de la broca hacia adelante. Todos los accesorios deben limpiarse después de quitarlos (Fig. 3).



MANGO AUXILIAR EXCÉNTRICO

La herramienta se debe sujetar con el mango auxiliar, el cual se puede girar 360°.

Para reposicionar y/o hacer girar el mango, afloje la empuñadura, mueva el mango hasta la posición deseada a lo largo del cuerpo cilíndrico y vuelva a apretar firmemente la empuñadura (Fig. 4).



Extracción de polvo

⚠ ADVERTENCIA No taladre en metal con el sistema de extracción de polvo montado. Las virutas metálicas calientes se pueden autoincendiar o pueden incendiar las piezas del sistema de extracción de polvo.

⚠ PRECAUCIÓN No taladre en madera con el sistema de extracción de polvo montado. Generalmente, las virutas de madera son demasiado grandes y obstruirán el canal para polvo.

⚠ ADVERTENCIA Esta herramienta está equipada con un recipiente para polvo. Vacíelo frecuentemente, después de completar el taladrado y antes de almacenar la herramienta. Tenga sumo cuidado al desechar el polvo, ya que los materiales en forma de partículas finas pueden ser explosivos.

Nota: No utilice el sistema de extracción de polvo cuando cincele, atornillo o corte roscas.

El sistema de extracción de polvo se retrae durante la utilización, para que la tapa antipolvo se mantenga siempre cerca de la superficie que se esté taladrando.

El sistema de extracción de polvo se enciende y apaga automáticamente con la herramienta eléctrica.

Para lograr la máxima eficiencia de extracción de polvo, sírvase cumplir con lo siguiente.

- La broca taladradora que se esté utilizando no debe sobresalir de la tapa antipolvo, de la manera que se muestra en las figuras 13 y 14. (Ejemplo para una broca taladradora SDS-plus: Longitud total máxima aproximadamente 160 mm, longitud de trabajo aproximadamente 100 mm.)
- Preste atención especial a que la tapa antipolvo esté orientada al ras contra la pieza de trabajo o la pared. Al mismo tiempo, esto facilita el trabajo en ángulo recto.
- Después de alcanzar la profundidad de taladrado deseada, tire primero de la broca taladradora hasta retirarla del agujero y luego apague la herramienta.
- Compruebe regularmente el estado del microfiltro. Reemplace inmediatamente un microfiltro que esté dañado.

REMOCIÓN E INSTALACIÓN DEL SISTEMA DE EXTRACCIÓN DE POLVO

Para retirar el sistema de extracción de polvo, oprima y mantenga oprimido el botón de liberación del sistema de extracción de polvo y tire del sistema alejándolo de la carcasa de la herramienta (Fig. 5).

Para instalar el sistema de extracción de polvo, alinee las ranuras de la guía con las ranuras de la carcasa de la herramienta y empuje el sistema hacia la herramienta, hasta que oiga que queda fijo en la posición correcta (Fig. 5).

RECIPIENTE PARA POLVO CON MICROFILTRRO

El sistema de extracción de polvo integral recoge el polvo en un recipiente suministrado con dicho sistema de extracción.

El nivel de polvo del recipiente para polvo se puede comprobar fácilmente a través de la puerta transparente (Fig. 6).

Para lograr la máxima eficiencia, el recipiente para polvo se debe vaciar frecuentemente durante la utilización.

REMOCIÓN DEL RECIPIENTE PARA POLVO

Para retirar el recipiente para polvo, oprima los dos botones de liberación del recipiente y tire del recipiente hacia abajo hasta retirarlo del sistema de extracción de polvo (Fig. 6).

LIMPIEZA Y VACIADO DEL RECIPIENTE PARA POLVO

Antes de abrir el recipiente para polvo, dele un golpe suave o golpéelo suavemente contra una superficie firme para aflojar el polvo que esté en el microfiltro.

Abra la puerta transparente y vacíe el recipiente para polvo. Cierre la puerta transparente.

Compruebe si el microfiltro está dañado. Reemplácelo inmediatamente cuando esté dañado.

FIG. 5

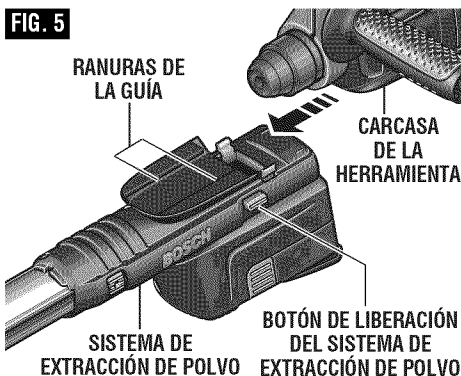
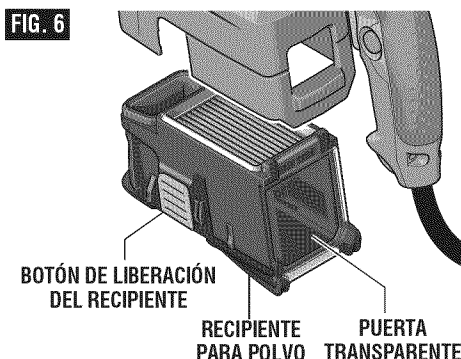


FIG. 6



INSTALACIÓN DEL RECIPIENTE PARA POLVO

Para instalar el recipiente para polvo, empújelo hacia arriba, hacia el interior del sistema de extracción de polvo, hasta que oiga que queda fijo en la posición correcta (Fig. 6).

CAMBIO DEL MICROFILTRO

Para lograr la máxima eficiencia, el microfiltro se debe reemplazar después de aproximadamente 15 horas de utilización.

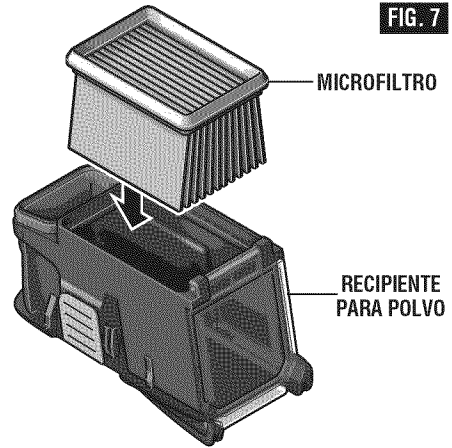
Retire el recipiente para polvo del sistema de extracción de polvo (Fig. 6).

Suba el microfiltro y retire el filtro viejo o dañado del recipiente para polvo (Fig. 7).

Inserte un microfiltro nuevo en el recipiente para polvo y reinstale el recipiente para polvo (Fig. 7.)

Nota: Si el microfiltro está dañado (por ej., tiene agujeros o hay daños en el material sellante blando), se debe reemplazar inmediatamente. El trabajo con un microfiltro dañado puede causar daños a la herramienta eléctrica.

Reemplace también el microfiltro cuando el rendimiento de aspiración sea insuficiente, incluso cuando el recipiente para polvo esté vacío.



RECIPIENTE PARA POLVO CON ADAPTADOR DE ASPIRACIÓN (no incluido, disponible como accesorio)

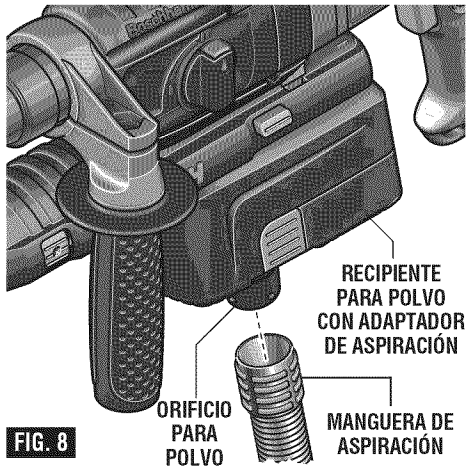
Para extraer el polvo con una aspiradora, el recipiente para polvo con adaptador de aspiración (opcional) se puede insertar en el sistema de extracción de polvo en lugar del recipiente para polvo, en caso de que sea necesario.

Oprima los dos botones de liberación del recipiente, tire del recipiente hacia abajo y retírelo del sistema de extracción de polvo (Fig. 6).

Instale hacia arriba el recipiente para polvo con adaptador de aspiración, de manera que entre en el sistema de extracción de polvo, hasta que oiga que queda fijo en la posición correcta (Fig. 8).

Para utilizar este dispositivo, conecte la manguera de aspiración (accesorio opcional) al orificio para polvo y luego conecte el extremo opuesto de la manguera de aspiración a una aspiradora de taller. Hay disponible un adaptador de manguera de aspiración (accesorio opcional) para conectar esta herramienta a una manguera de aspiración de 1-1/4 ó 1-1/2 pulgadas (Fig. 8).

La aspiradora debe ser adecuada para el material que se esté taladrando.



CALIBRE DE PROFUNDIDAD

La profundidad de taladrado X se puede preajustar y/o repetir utilizando el calibre de profundidad.

Después de instalar el mango auxiliar, asegúrese de que el accesorio se haya insertado completamente en el mandril antes de ajustar el calibre de profundidad.

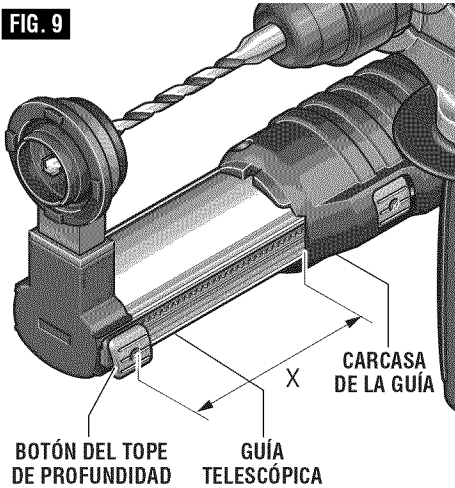
Ajuste el calibre de profundidad comprimiendo la guía telescópica hacia la herramienta. Cuando la longitud deseada de la broca quede al descubierto, oprima y deslice el botón del tope de profundidad contra la carcasa de la guía y suelte dicho botón (Fig. 9). El calibre de profundidad está accionado por resorte y regresará a la posición completamente extendida

cuando la presión se haya reducido. (Cuando taladre, la guía telescópica comprimirá la unidad hasta que acople el botón del tope de profundidad.)

AJUSTE DE LA GUÍA TELESCÓPICA A LA LONGITUD DE LA BROCA

Para que la utilización sea más conveniente cuando se empleen brocas taladradoras cortas, la longitud de la guía telescópica se puede ajustar a las longitudes deseadas.

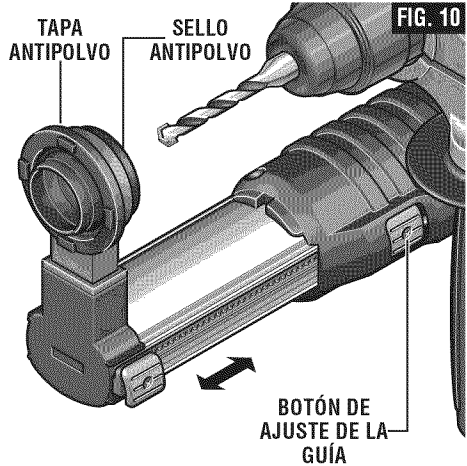
FIG. 9



Para ajustar la longitud, oprima y mantenga oprimido el botón de ajuste de la guía y comprima la guía telescópica hasta que la tapa antipolvo esté cerca de la punta de la broca taladradora (Fig. 10). Para bloquear el ajuste, suelte el botón.

Para desbloquear el ajuste, oprima el botón de ajuste de la guía.

FIG. 10

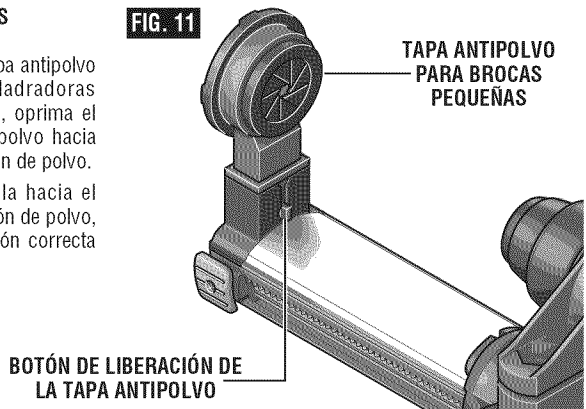


TAPA ANTIPOLVO PARA BROCAS TALADRADORAS PEQUEÑAS

Esta herramienta está equipada con una tapa antipolvo estándar para utilizarse con brocas taladradoras pequeñas. Para cambiar la tapa antipolvo, oprima el botón de liberación y tire de la tapa antipolvo hacia fuera hasta retirarla del sistema de extracción de polvo.

Para insertar la tapa antipolvo, empújela hacia el interior del extremo del sistema de extracción de polvo, hasta que oiga que queda fija en la posición correcta (Fig. 11).

FIG. 11



TAPA ANTIPOLVO PARA BROCAS DE MEDIA CAÑA 1-1/2 PULGADAS DE CAPACIDAD MÁXIMA (no incluida, disponible como accesorio)

Cuando utilice brocas de media caña, la tapa antipolvo para brocas taladradoras pequeñas se debe retirar y

reemplazar con una tapa antipolvo especial para brocas de media caña (accesorio opcional).

Cuando utilice la tapa antipolvo para brocas de media caña (accesorio opcional), para la extracción de polvo

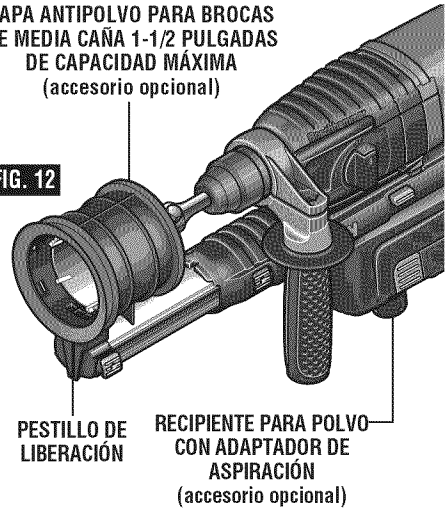
se debe utilizar el recipiente para polvo con adaptador de aspiración (accesorio opcional), no el recipiente para polvo estándar (Fig. 12). Si es necesario, retire la tapa antipolvo para brocas taladradoras pequeñas.

Para insertar la tapa antipolvo para brocas de media caña, empuje la tapa desde arriba hacia el interior del sistema de extracción de polvo, hasta que oiga que se acopla con un chasquido en la posición correcta (Fig. 12).

Para retirar la tapa antipolvo para brocas de media caña, empuje el pestillo de liberación hacia fuera y tire de la tapa antipolvo hasta retirarla.

TAPA ANTIPOLVO PARA BROCAS DE MEDIA CAÑA 1-1/2 PULGADAS DE CAPACIDAD MÁXIMA (accesorio opcional)

FIG. 12



PESTILLO DE LIBERACIÓN

RECIPIENTE PARA POLVO CON ADAPTADOR DE ASPIRACIÓN (accesorio opcional)

Instrucciones de funcionamiento

INTERRUPTOR GATILLO DE VELOCIDAD VARIABLE CONTROLADA

La herramienta está equipada con un interruptor gatillo de velocidad variable. La velocidad de la herramienta se puede controlar desde las RPM mínimas hasta las RPM máximas indicadas en la placa del fabricante por medio de la presión que usted ejerce sobre el gatillo. Ejerza más presión para aumentar la velocidad y disminuya la presión para reducir la velocidad. Este preciso control de velocidad le permite a usted taladrar sin realizar punzonaduras para marcar. También le permite utilizar la herramienta como destornillador mecánico. Hay brocas disponibles para apretar tornillos y también para pernos y tuercas (Fig. 1).

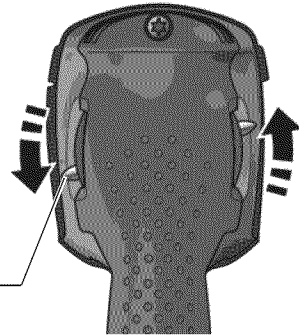
PALANCA DEL INTERRUPTOR DE INVERSIÓN

Esta herramienta está equipada con el sistema de inversión de escobillas giratorias. Esto tiene como resultado una vida más larga a la vez que maximiza la potencia tanto en el sentido de avance como en el inverso. El interruptor de inversión se puede accionar desde el lado derecho o desde el lado izquierdo de la herramienta.

PARA LA ROTACION DE AVANCE: desplace el interruptor hasta la flecha marcada avance (FWD) (Fig. 13).

PARA LA ROTACION EN SENTIDO INVERSO: desplace el interruptor hasta la flecha marcada inversión (REV). **NOTA:** la herramienta no funcionará con el interruptor en la posición central.

FIG. 13



PALANCA DEL INTERRUPTOR DE INVERSIÓN

EMBRAGUE DESLIZANTE

La herramienta tiene un embrague interno preajustado. El embrague está ajustado de tal modo que se transmita suficiente fuerza a la broca en la mayoría de las situaciones de taladrado, pero patinará cuando la broca se atasque en el agujero o la herramienta se sobrecargue. Tenga presente que debido al ajuste requerido para el embrague, se podrá producir una reacción de par motor un instante antes de que el embrague patine. Esta reacción de par motor torcerá el

cuerpo del martillo giratorio en sentido contrario al del giro de la broca, es decir, en sentido contrario al de las agujas del reloj. Cuando el embrague patine, lo más probable es que la broca deje de girar. Cuando se elimina la fuerza que el atasco ejerce sobre la broca, el embrague se reajusta automáticamente. Si se produce atasco de la hoja y el embrague comienza a patinar, apague la herramienta inmediatamente y corrija la situación que hace que la hoja se atasque.

DIAL DE SELECCION DE TALADRO/TALADRO DE PERCUSION

El dial selector permite ajustar la herramienta para varias aplicaciones de taladrado y taladrado de percusión. Oprima el botón de liberación y gire el dial selector hasta la derecha o hacia la izquierda según las aplicaciones que se indican a continuación.

⚠ PRECAUCION No accione el dial de selección hasta que la herramienta se haya detenido por completo. Si se gira el dial mientras el embrague está girando, la herramienta puede dañarse.

No utilice brocas de demolición o de desbastado, tales como brocas de punta rompedora, brocas de cincel, brocas de pala, brocas de media caña, etc.



Acción de taladrado solamente: Para taladrar en maderas, metales, plásticos u otros materiales que no sean hormigón.



Taladrado con acción de percusión: Para taladrar en hormigón, asfalto, loseta u otros materiales duros similares.

Consejos para la herramienta

CONSEJOS PARA LA HERRAMIENTA

El seguir unos cuantos consejos simples reducirá el desgaste de la herramienta y las posibilidades de lesiones del operador.

NOTA: La alta eficiencia proporcionada por los martillos giratorios sólo se puede obtener si se utilizan accesorios afilados y sin daños. El “costo” de mantener accesorios afilados y sin daños es sobradamente compensado por el “tiempo que se ahorra” al hacer funcionar la herramienta con accesorios afilados.

Todos los martillos requieren un corto período de tiempo para calentarse. Según la temperatura ambiente, este período podrá variar desde aproximadamente 15 segundos (90°F) hasta 2 minutos (32°F). Un martillo nuevo requiere un período de rodaje antes de poder funcionar a pleno rendimiento. Puede que este período requiera hasta 5 horas de funcionamiento.

Brocas con punta de carburo: Utilizadas para taladrar piedra, hormigón, cemento, ladrillo, ladrillo de cenizas y otros no metales extraordinariamente duros. El martillo giratorio está diseñado para brocas con punta de carburo “SDS” de hasta 3/4 de pulgada de diámetro.

Recuerde estas instrucciones para un funcionamiento con seguridad:

1. Algunos materiales requieren velocidades de taladrado lentas, mientras que otros requieren una velocidad de taladrado más alta para producir los mejores resultados.
2. Todas las piezas de trabajo se deben apoyar o fijar antes de taladrar y se debe ejercer una presión firme y uniforme en línea con la broca.
3. Cuando la broca atraviese la pieza de trabajo y llegue al otro lado, reduzca la presión y continúe haciendo funcionar el taladro a medida que va sacando la broca.

Los materiales tales como vidrio, porcelana, cerámica, loseta, plástico, etc., se deben taladrar a velocidades bajas con brocas para taladro y lubricantes diseñados especialmente.

TALADRADO DE MADERA O PLASTICO

⚠ PRECAUCION No taladre en madera con el sistema de extracción de polvo montado. Generalmente, las virutas de madera son demasiado grandes y obstruirán el canal para polvo.

Si no se utiliza un bloque de refuerzo, disminuya la presión justo antes de que la broca atraviese completamente la madera para evitar el astillado. Termine el agujero desde la parte posterior inmediatamente después de que la punta atraviese la pieza de trabajo. Si la broca se atasca, invierta la operación de taladrado para ayudar a sacar la broca de la pieza de trabajo.

TALADRADO DE METAL

⚠ ADVERTENCIA No taladre en metal con el sistema de extracción de polvo montado. Las virutas metálicas calientes se pueden autoincendiar o pueden incendiar las piezas del sistema de extracción de polvo.

Realice una punzonadura para marcar en el material a fin de comenzar más fácilmente. Ejercer suficiente presión para hacer que la broca siga cortando. Si se permite que la broca se limite a girar en el agujero sin avanzar, ésta se desafilará en poco tiempo. Al taladrar un agujero más grande, es más rápido y gasta menos el paquete de baterías hacer primero un agujero más pequeño y agrandarlo hasta el tamaño requerido. Lubrique la punta de la broca de vez en cuando con ACEITE PARA CORTAR para taladrar metal más fácilmente. Si la broca se atasca, invierta el taladrado para ayudar a sacar la broca de la pieza de trabajo.

TALADRADO DE MAMPOSTERÍA

Utilice una broca para mampostería con punta de carburo para ladrillo de cenizas, argamasa, ladrillo común, piedra blanda y otros materiales. La cantidad de presión a ejercer depende del tipo de material que se

está taladrando. Los materiales blandos requieren menos presión, mientras que los materiales duros necesitan más presión para evitar que la broca taladradora salte.

Mantenimiento

Servicio

⚠ ADVERTENCIA El mantenimiento preventivo realizado por personal no autorizado puede dar lugar a la colocación incorrecta de cables y componentes internos que podría constituir un peligro serio. Recomendamos que todo el servicio de las herramientas sea realizado por un Centro de servicio de fábrica Bosch o por una Estación de servicio Bosch autorizada.

LUBRICACIÓN DE LAS HERRAMIENTAS

Su herramienta Bosch ha sido lubricada adecuadamente y está lista para la utilización. Se recomienda que las herramientas con engranajes se vuelvan a engrasar con un lubricante especial para engranajes en cada cambio de escobillas.

ESCOBILLAS DE CARBÓN

Las escobillas y el conmutador de la herramienta han sido diseñados para muchas horas de servicio fiable. Para mantener un rendimiento óptimo del motor, recomendamos que cada dos a seis meses se examinen las escobillas. Sólo se deben usar escobillas de repuesto Bosch genuinas diseñadas específicamente para su herramienta.

RODAMIENTOS

Después de 300-400 horas de funcionamiento, o después de cada segundo cambio de escobillas, los

rodamientos deben cambiarse en un Centro de servicio de fábrica Bosch o en una Estación de servicio Bosch autorizada. Los rodamientos que se vuelven ruidosos (debido a la pesada carga o al corte de materiales muy abrasivos) deben ser sustituidos inmediatamente para evitar el sobrecalentamiento o el fallo del motor.

Limpieza

⚠ ADVERTENCIA Para evitar accidentes desconecte siempre la herramienta de la fuente de energía antes de la limpieza o de la realización de cualquier mantenimiento. La herramienta se puede limpiar más eficazmente con aire comprimido seco. Use gafas de seguridad siempre que limpie herramientas con aire comprimido.

Las aberturas de ventilación y las palancas de interruptor deben mantenerse limpias y libres de materias extrañas. No intente limpiar introduciendo objetos puntiagudos a través de las aberturas.

⚠ PRECAUCION Ciertos agentes de limpieza y disolventes dañan las piezas de plástico. Algunos de estos son: gasolina, tetracloruro de carbono, disolventes de limpieza clorados, amoníaco y detergentes domésticos que contienen amoníaco.

Cordones de extensión

⚠ ADVERTENCIA Si es necesario un cordón de extensión, se debe usar un cordón con conductores de tamaño adecuado que sea capaz de transportar la corriente necesaria para la herramienta. Esto evitará caídas de tensión excesivas, pérdida de potencia o recalentamiento. Las herramientas conectadas a tierra deben usar cordones de extensión de 3 hilos que tengan enchufes de 3 terminales y receptáculos para 3 terminales.

NOTA: Cuanto más pequeño es el número de calibre, más grueso es el cordón.

TAMAÑOS RECOMENDADOS DE CORDONES DE EXTENSION HERRAMIENTAS DE 120 V CORRIENTE ALTERNA

Capacidad nominal en amperes de la herramienta	Tamaño del cordón en A.W.G.				Tamaños del cable en mm ²			
	Longitud del cordón en pies				Longitud del cordón en metros			
	25	50	100	150	15	30	60	120
3-6	18	16	16	14	0,75	0,75	1,5	2,5
6-8	18	16	14	12	0,75	1,0	2,5	4,0
8-10	18	16	14	12	0,75	1,0	2,5	4,0
10-12	16	16	14	12	1,0	2,5	4,0	—
12-16	14	12	—	—	—	—	—	—

Accesorios

- * Mango auxiliar de 360
 - * Sistema de extracción de polvo
 - * Tapa antipolvo
 - * Sello antipolvo
 - ** Tapa antipolvo (para sierras de copa)
 - ** Recipiente para polvo con adaptador de aspiración
 - ** Adaptador de manguera de aspiración
 - ** Manguera de aspiración
 - ** Estuche de transporte
- (* = equipo estándar)
(** = accesorios opcionales)

No se recomienda para utilizarse con el mandril de 3 mordazas y el adaptador SDS de mandril recto.

Notes:

Remarques :

Notas:

LIMITED WARRANTY OF BOSCH PORTABLE AND BENCHTOP POWER TOOLS

Robert Bosch Tool Corporation ("Seller") warrants to the original purchaser only, that all BOSCH portable and benchtop power tools will be free from defects in material or workmanship for a period of one year from date of purchase. SELLER'S SOLE OBLIGATION AND YOUR EXCLUSIVE REMEDY under this Limited Warranty and, to the extent permitted by law, any warranty or condition implied by law, shall be the repair or replacement of parts, without charge, which are defective in material or workmanship and which have not been misused, carelessly handled, or misrepaired by persons other than Seller or Authorized Service Station. To make a claim under this Limited Warranty, you must return the complete portable or benchtop power tool product, transportation prepaid, to any BOSCH Factory Service Center or Authorized Service Station. For Authorized BOSCH Power Tool Service Stations, please refer to your phone directory.

THIS LIMITED WARRANTY DOES NOT APPLY TO ACCESSORY ITEMS SUCH AS CIRCULAR SAW BLADES, DRILL BITS, ROUTER BITS, JIGSAW BLADES, SANDING BELTS, GRINDING WHEELS AND OTHER RELATED ITEMS.

ANY IMPLIED WARRANTIES SHALL BE LIMITED IN DURATION TO ONE YEAR FROM DATE OF PURCHASE. SOME STATES IN THE U.S., SOME CANADIAN PROVINCES DO NOT ALLOW LIMITATIONS ON HOW LONG AN IMPLIED WARRANTY LASTS, SO THE ABOVE LIMITATION MAY NOT APPLY TO YOU.

IN NO EVENT SHALL SELLER BE LIABLE FOR ANY INCIDENTAL OR CONSEQUENTIAL DAMAGES (INCLUDING BUT NOT LIMITED TO LIABILITY FOR LOSS OF PROFITS) ARISING FROM THE SALE OR USE OF THIS PRODUCT. SOME STATES IN THE U.S. AND SOME CANADIAN PROVINCES DO NOT ALLOW THE EXCLUSION OR LIMITATION OF INCIDENTAL OR CONSEQUENTIAL DAMAGES, SO THE ABOVE LIMITATION OR EXCLUSION MAY NOT APPLY TO YOU.

THIS LIMITED WARRANTY GIVES YOU SPECIFIC LEGAL RIGHTS, AND YOU MAY ALSO HAVE OTHER RIGHTS WHICH VARY FROM STATE TO STATE IN THE U.S., PROVINCE TO PROVINCE IN CANADA AND FROM COUNTRY TO COUNTRY.

THIS LIMITED WARRANTY APPLIES ONLY TO PORTABLE AND BENCHTOP ELECTRIC TOOLS SOLD WITHIN THE UNITED STATES OF AMERICA, CANADA AND THE COMMONWEALTH OF PUERTO RICO. FOR WARRANTY COVERAGE WITHIN OTHER COUNTRIES, CONTACT YOUR LOCAL BOSCH DEALER OR IMPORTER.

GARANTIE LIMITÉE DES OUTILS ÉLECTRIQUES PORTATIFS ET D'ÉTABLI BOSCH

Robert Bosch Tool Corporation (le « vendeur ») garantit à l'acheteur initial seulement que tous les outils électriques portatifs et d'établi BOSCH seront exempts de vices de matériaux ou d'exécution pendant une période d'un an depuis la date d'achat. LA SEULE OBLIGATION DU VENDEUR ET LE SEUL RECOURS DE L'ACHÉTEUR sous la présente garantie limitée, et en autant que la loi le permette sous toute garantie ou condition implicite qui en découlerait, sera l'obligation de remplacer ou réparer gratuitement les pièces défectueuses matériellement ou comme fabrication, pourvu que lesdites défectosités ne soient pas attribuables à un usage abusif ou à quelque réparation bricolée par quelqu'un d'autre que le vendeur ou le personnel d'une station-service agréée. Pour présenter une réclamation en vertu de cette garantie limitée, vous devez renvoyer l'outil électrique portatif ou d'établi complet, port payé, à tout centre de service agréé ou centre de service usine. Veuillez consulter votre annuaire téléphonique pour les adresses.

LA PRÉSENTE GARANTIE NE S'APPLIQUE PAS AUX ACCESSOIRES TELS QUE LAMES DE SCIES CIRCULAIRES, MÊCHES DE PERCEUSES, FERS DE TOUPIES, LAMES DE SCIES SAUTEUSES, COURROIES DE PONÇAGE, MEULES ET AUTRES ARTICLES DU GENRE.

TOUTE GARANTIE IMPLICITE SERA LIMITÉE COMME DURÉE À UN AN À COMPTER DE LA DATE D'ACHAT. CERTAINS ÉTATS AMÉRICAINS, CERTAINES PROVINCES CANADIENNES N'ADMETTANT PAS LE PRINCIPE DE LA LIMITATION DE LA DURÉE DES GARANTIES IMPLICITES, IL EST POSSIBLE QUE LES LIMITATIONS CI-DESSUS NE S'APPLIQUENT PAS À VOTRE CAS.

EN AUCUN CAS LE VENDEUR NE SAURAIT ÊTRE TENU POUR RESPONSABLE DES INCIDENTS OU DOMMAGES INDIRECTS (INCLUANT, MAIS NE SE LIMITANT PAS AUX PERTES DE PROFITS) CONSÉCUTIFS À LA VENTE OU L'USAGE DE CE PRODUIT. CERTAINS ÉTATS AMÉRICAINS ET CERTAINES PROVINCES CANADIENNES N'ADMETTANT PAS LE PRINCIPE DE LA LIMITATION NI L'EXCLUSION DES DOMMAGES INDIRECTS ET CONSÉCUTIFS, IL EST POSSIBLE QUE LES LIMITATIONS OU EXCLUSIONS CI-DESSUS NE S'APPLIQUENT PAS À VOTRE CAS.

LA PRÉSENTE GARANTIE VOUS ACCORDE DES DROITS BIEN DÉTERMINÉS, Y COMPRIS POSSIBLEMENT CERTAINS DROITS VARIABLES DANS LES DIFFÉRENTS ÉTATS AMÉRICAINS, PROVINCES CANADIENNES.

CETTE GARANTIE LIMITÉE NE S'APPLIQUE QU'ÀUX OUTILS ÉLECTRIQUES PORTATIFS ET D'ÉTABLI VENDUS AUX ÉTATS-UNIS D'AMÉRIQUE, AU CANADA ET AU COMMONWEALTH DE PORTO RICO. POUR COUVERTURE DE GARANTIE DANS LES AUTRES PAYS, CONTACTEZ VOTRE IMPORTATEUR OU REVENDEUR BOSCH LOCAL.

GARANTIA LIMITADA PARA HERRAMIENTAS MECANICAS PORTATILES Y PARA TABLERO DE BANCO BOSCH

Robert Bosch Tool Corporation ("el Vendedor") garantiza, únicamente al comprador original, que todas las herramientas mecánicas portátiles y para tablero de banco BOSCH estarán libres de defectos de material o de fabricación durante un periodo de un año a partir de la fecha de compra. LA ÚNICA OBLIGACION DEL VENDEDOR Y EL RECURSO EXCLUSIVO QUE USTED TIENE bajo esta Garantía Limitada y, hasta donde la ley lo permita, bajo cualquier garantía o condición implícita por ley, consistirá en la reparación o sustitución sin costo de las piezas que presenten defectos de material o de fabricación y que no hayan sido utilizadas incorrectamente, manejadas descuidadamente o reparadas incorrectamente por personas que no sean el Vendedor o una Estación de servicio autorizada. Para efectuar una reclamación bajo esta Garantía Limitada, usted debe devolver el producto, que consiste en la herramienta mecánica portátil o para tablero de banco completa, con el transporte pagado, a cualquier Centro de servicio de fábrica o Estación de servicio autorizada. Para Estaciones de servicio autorizadas de herramientas mecánicas BOSCH, por favor, consulte el directorio telefónico.

ESTA GARANTIA LIMITADA NO SE APLICA A ARTICULOS ACCESORIOS TALES COMO HOJAS PARA SIERRAS CIRCULARES, BROCAS PARA TALADROS, BROCAS PARA FRESADORAS, HOJAS PARA SIERRAS DE VAIVEN, CORREAS PARA LIJAR, RUEDAS DE AMOLAR Y OTROS ARTICULOS RELACIONADOS.

TODAS LAS GARANTIAS IMPLICITAS TENDRAN UNA DURACION LIMITADA A UN AÑO A PARTIR DE LA FECHA DE COMPRA. ALGUNOS ESTADOS DE LOS EE.UU., ALGUNAS PROVINCIAS CANADIENSES NO PERMITEN LIMITACIONES EN CUANTO A LA DURACION DE UNA GARANTIA IMPLICITA, POR LO QUE ES POSIBLE QUE LA LIMITACION ANTERIOR NO SEA APLICABLE EN EL CASO DE USTED.

EL VENDEDOR NO SERA RESPONSABLE EN NINGUN CASO DE NINGUN DAÑO INCIDENTAL O EMERGENTE (INCLUYENDO PERO NO LIMITADO A RESPONSABILIDAD POR PERDIDA DE BENEFICIOS) QUE SE PRODUZCA COMO CONSECUENCIA DE LA VENTA O UTILIZACION DE ESTE PRODUCTO. ALGUNOS ESTADOS DE LOS EE.UU. Y ALGUNAS PROVINCIAS CANADIENSES NO PERMITEN LA EXCLUSION O LIMITACION DE LOS DAÑOS INCIDENTALES O EMERGENTES, POR LO QUE ES POSIBLE QUE LA LIMITACION O EXCLUSION ANTERIOR NO SEA APLICABLE EN EL CASO DE USTED.

ESTA GARANTIA LIMITADA LE CONFIERE A USTED DERECHOS LEGALES ESPECIFICOS Y ES POSIBLE QUE USTED TAMBIEN TENGA OTROS DERECHOS QUE VARIAN DE ESTADO A ESTADO EN LOS EE.UU., DE PROVINCIA A PROVINCIA EN CANADA.

ESTA GARANTIA LIMITADA SE APLICA SOLAMENTE A HERRAMIENTAS ELECTRICAS PORTATILES Y PARA TABLERO DE BANCO VENDIDAS EN LOS ESTADOS UNIDOS DE AMERICA, CANADA Y EL ESTADO LIBRE ASOCIADO DE PUERTO RICO. PARA COBERTURA DE GARANTIA EN OTROS PAISES, PONGASE EN CONTACTO CON SU DISTRIBUIDOR O IMPORTADOR LOCAL DE BOSCH.

© Robert Bosch Tool Corporation 1800 W. Central Road Mt. Prospect, IL 60056 -2230

Exportado por: Robert Bosch Tool Corporation Mt. Prospect, IL 60056 -2230, E.U.A.

Importado en México por: Robert Bosch, S.A. de C.V., Calle Robert Bosch No. 405, Zona Industrial, Toluca, Edo. de México, C.P. 50070, Tel. (722) 2792300