

**IMPORTANT:**  
Read Before Using

**IMPORTANT :**  
Lire avant usage

**IMPORTANTE:**  
Leer antes de usar



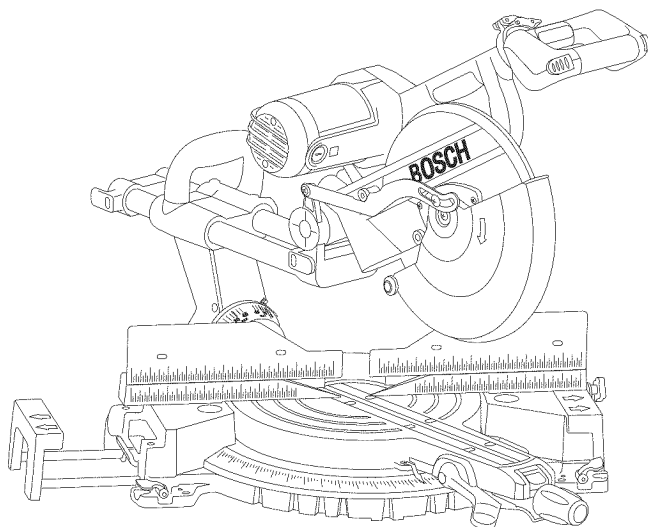
## Operating/Safety Instructions

Consignes de fonctionnement/sécurité

Instrucciones de funcionamiento y seguridad

5312

5412



# BOSCH

Call Toll Free for Con-  
sumer Information  
& Service Locations

Pour obtenir des informations  
et les adresses de nos centres  
de service après-vente,  
appelez ce numéro gratuit

Llame gratis para  
obtener información  
para el consumidor y  
ubicaciones de servicio

**1-877-BOSCH99 (1-877-267-2499) [www.boschtools.com](http://www.boschtools.com)**

For English Version  
See page 2

Version française  
Voir page 38

Versión en español  
Ver la página 74

# Safety



**WARNING** “READ ALL INSTRUCTIONS” — Failure to follow the SAFETY RULES identified by BULLET (\*) symbol listed BELOW and other safety precautions, may result in serious personal injury.

## General Safety Rules For Bench Top Tools

### Work Area

- **Keep work area clean and well lit.** Cluttered benches and dark areas invite accidents.
- **Do not operate power tools in explosive atmospheres, such as in the presence of flammable liquids, gases or dust.** Power tools create sparks which may ignite the dust or fumes.
- **Keep bystanders, children and visitors away while operating a power tool.** Distractions cause you to lose control.
- **Store idle tools out of reach of children and other untrained persons.** Tools are dangerous in the hands of untrained users.
- **Do not leave tool running unattended, turn power off.** Do not leave tool until it comes to a complete stop.
- **MAKE WORKSHOP CHILDPROOF** with pad lock, master switches, or by removing starter keys.

### Electrical Safety

- **Before plugging in the tool, be certain the outlet voltage supplied is compatible with the voltage marked on the nameplate within 10%.** An outlet voltage incompatible with that specified on the nameplate can result in serious hazards and damage to the tool.
- **Double insulated tools are equipped with a polarized plug (one blade is wider than the other). This plug will fit in a polarized outlet only one way. If the plug does not fit fully in the outlet, reverse the plug. If it still does not fit, contact a qualified electrician to install a polarized outlet. Do not change the plug in any way.** Double insulation eliminates the need for the three wire grounded power cord and grounded power supply.
- **Avoid body contact with grounded surfaces such as pipes, radiators, ranges and refrigerators.** There is an increased risk of electric shock if your body is grounded.
- **Do not expose power tools to rain or wet conditions.** Water entering a power tool will increase the risk of electric shock.

- **Do not abuse the cord. Never use the cord to carry the tools or pull the plug from an outlet. Keep cord away from heat, oil, sharp edges or moving parts. Replace damaged cords immediately.** Damaged cords increase the risk of electric shock.
- **When operating a power tool outside, use an outdoor extension cord marked “W-A” or “W”.** These cords are rated for outdoor use and reduce the risk of electric shock.

### Personal Safety

- **Stay alert, watch what you are doing and use common sense when operating a power tool.** A moment of inattention or use of drugs, alcohol or medication while operating power tools can be dangerous.
- **Dress properly. Do not wear loose clothing or jewelry. Contain long hair. Keep your hair, clothing and gloves away from moving parts.** Loose clothes, jewelry or long hair can be caught in moving parts. Roll long sleeves above elbows. Rubber gloves and non-skid footwear are recommended when working outdoors.
- **Avoid accidental starting. Be sure switch is “OFF” before plugging in.** Carrying tools with your finger on the switch or plugging in tools that have the switch “ON” invites accidents.
- **Remove adjusting keys or wrenches before turning the tool “ON”.** A wrench or a key that is left attached to a rotating part of the tool will be thrown.
- **Do not overreach, keep proper footing and balance at all times.** Proper footing and balance enables better control of the tool in unexpected situations.
- **Do not stand on tool or its stand.** Serious injury may occur if the tool is tipped or if the cutting tool is accidentally contacted. Do not store materials on or near the tool such that it is necessary to stand on the tool or its stand to reach them.
- **Use safety equipment. Always wear safety goggles.** Dust mask, safety shoes, hard hat or hearing protection must be used for appropriate

**“SAVE THESE INSTRUCTIONS”**

conditions. Everyday eyeglasses only have impact resistant lenses, they are NOT safety glasses.

#### Tool Use and Care

- **Use clamps or other practical way to secure and support the workpiece to a stable platform.** Holding the work by hand or against your body is unstable. It allows for work to shift, causes binding of the tool and loss of control.
- **Do not force tool. Use the correct tool for your application.** The correct tool will do the job better and safer at the rate for which it is designed. Do not use the tool for purpose not intended - for example; do not use the miter saw for slicing meats.
- **Do not use tool if switch does not turn it "ON" or "OFF".** Any tool that cannot be controlled with the switch is dangerous.
- **Disconnect the plug from the power source before making any adjustments or changing accessories.** Such preventive safety measures reduce the risk of starting the tool accidentally.
- **Keep cutting tools sharp and clean.** Properly maintained tools, with sharp cutting edges, are less likely to bind and easier to control. When mounting saw blades be certain that the arrow on thblade matches the direction of the arrow marked on the tool and that the teeth are also pointing in the same direction.
- **Inspect guards before using a tool. Keep guards in place. Check moving parts for binding or any other condition that may affect the normal operation or safety features of the tool. If damaged, have tool serviced before using the tool.** Many accidents are caused by poorly maintained tools.
- **Do not alter or misuse tool.** Any alteration or modification is a misuse and may result in serious personal injury.
- **The use of any other accessories not specified in this manual may create a hazard.** Accessories that may be suitable for one type of tool, may become hazardous when used on an inappropriate tool.

#### Service

- **Tool service must be performed only by qualified repair personnel.** Service or maintenance performed by unqualified personnel may result in misplacing internal wires and components which could cause serious hazard.

- **When servicing a tool, use only identical replacement parts. Follow instructions in the Maintenance section of this manual.** Use of unauthorized parts or failure to follow Maintenance Instructions may create a hazard.

#### Safety Rules For Miter Saws

- **Use clamps to support workpiece whenever possible. If supporting the workpiece by hand, you must always keep hand outside of "No Hand" area as marked with a symbol on the base. Do not use this saw to cut pieces that are too small to be securely clamped.** Your hand if placed inside the "No Hands" region can easily slip or be pulled into the blade.
- **Do not reach in back of the saw blade behind the fence with either hand to hold down or support the workpiece, remove wood scraps, or for any other reason.** The proximity of the spinning saw blade to your hand may not be obvious and you may be seriously injured.
- **Never cross your hand over intended line of cutting.** Supporting the workpiece "cross handed" i.e. holding the left side of the workpiece with your right hand is very dangerous.
- **Always disconnect the power cord from the power source before making any adjustments or attaching any accessories.** You may unintentionally start the saw, leading to serious personal injury.
- **Miter saws are intended to cut wood or wood-like products, they cannot be used with abrasive cutoff wheels for cutting ferrous material such as bars, rods, studs, etc. However, if cutting materials like aluminum or other non-ferrous metals, use only saw blades specifically recommended for non ferrous metal cutting.** Cutting ferrous materials causes excessive sparking and will damage the lower guard and will overload the motor.  
(NOTE: Robert Bosch Tool Corporation does not offer 12" metal cutting blades.)
- **Inspect your workpiece before cutting. If workpiece is bowed or warped, clamp it with the outside bowed face toward the fence. Always make certain that there is no gap between the workpiece, fence and table along the line of the cut.** Bent or warped workpieces can twist or rock and may cause binding on the spinning saw blade while cutting. Also, make sure there are no nails or foreign objects in the workpiece.

**"SAVE THESE INSTRUCTIONS"**

- **Do not use the saw until the table is clear of all tools, wood scraps, etc., except the workpiece.** Small debris or loose pieces of wood or other objects that contact the revolving blade can be thrown with high speed at the operator.
- **Do not feed workpiece into the blade or cut “freehand” in any way. Workpiece must be stationary and clamped or braced by your hand.** Saw must be fed through the workpiece smoothly and at a rate which will not overload the saw’s motor.
- **Cut only one workpiece at a time.** Multiple workpieces cannot be adequately clamped or braced and may bind on the blade or shift during cutting.
- **Be certain the miter saw is mounted or placed on a level, firm work surface before using.** A level and firm work surface reduces the risk of the miter saw becoming unstable.
- **Plan your work. Provide adequate support accessories such as tables, saw horses, table extension, etc. for workpieces wider or longer than the table top (see page 20).** Workpieces longer or wider than the miter saw table can tip if not securely supported. If the cutoff piece or workpiece tips it can lift the lower guard or be thrown by the spinning blade.
- **Do not use another person as a substitute for a table extension or as additional support.** Unstable support for the workpiece can cause the blade to bind or the workpiece to shift during the cutting operation pulling you and the helper into the spinning blade.
- **The cutoff piece must not be jammed against or pressured by any other means against the spinning saw blade.** If confined, i.e. using length stops, it could get wedged against the blade and thrown violently.
- **Always use a clamp or a fixture designed to properly support round material such as dowel rods, or tubing.** Rods have a tendency to roll while being cut, causing the blade to “bite” and pull the work with your hand into the blade.
- **When cutting irregularly shaped work-pieces, plan your work so it will not slip and pinch the blade and be torn from your hand.**  
A piece of molding, for example, must lie flat or be held by a fixture or jig that will not let it twist, rock or slip while being cut.
- **Let the blade reach full speed before contacting the workpiece.** This will help avoid thrown workpieces.
- **If the workpiece or blade becomes jammed or bogged down, turn miter saw “OFF” by releasing switch. Wait for all moving parts to stop and unplug the miter saw, then work to free the jammed material.** Continued sawing with jammed workpiece could cause loss of control or damage to miter saw.
- **Braking action of the saw causes the saw head to jerk downward. Be ready for this reaction when making an incomplete cut or when releasing the switch before the head is completely in the down position.**
- **After finishing the cut, release the switch, hold the saw arm down and wait for blade to stop before removing work or cutoff piece. If blade does not stop within five (5) seconds, unplug the saw and follow the instructions in the Troubleshooting section. REACHING WITH YOUR HAND UNDER A COASTING BLADE IS DANGEROUS!**
- **There are additional safety instructions for particular operations of the saw in the operating section. Read the rest of the manual for safe operation.**
- **For slide action cutting, first PULL saw head assembly away from the fence, until blade clears the workpiece or to its maximum extension if blade cannot clear the workpiece. Make certain the clamp does not interfere with the guard and head assembly. Second, turn saw “ON” and lower the saw to the table. Then PUSH saw through the workpiece. Release the switch and wait for the blade to completely stop before raising the head assembly and removing the workpiece. Never “pullcut” since blade may climb the workpiece causing KICKBACK.**
- **For chop action cutting, slide the head assembly to the rear as far as it will go and tighten slide lock knob. Then turn the saw “ON” and lower the head assembly to make the cut. Release the switch and wait for the blade to completely stop before raising the head assembly and removing the workpiece. Failure to tighten the slide lock knob can cause the blade to suddenly climb up on the top of the workpiece and force itself toward you.**
- **Do not allow familiarity gained from frequent use of your miter saw to become commonplace.** Always remember that a careless fraction of a second is sufficient to inflict severe injury.

**“SAVE THESE INSTRUCTIONS”**

# Safety

**▲ WARNING** "READ ALL INSTRUCTIONS" — Failure to follow the SAFETY RULES identified by BULLET (•) symbol listed BELOW and other safety precautions, may result in serious personal injury.

- THINK SAFETY! SAFETY IS A COMBINATION OF OPERATOR'S COMMON SENSE, KNOWLEDGE OF THE SAFETY AND OPERATING INSTRUCTIONS AND ALERTNESS AT ALL TIMES WHEN THE MITER SAW IS BEING USED.

**▲ WARNING** THE WARNINGS SHOWN BELOW CAN BE FOUND ON YOUR TOOL. THESE WARNINGS ARE ONLY A CONDENSED FORM OF THE MORE DETAILED SAFETY RULES AND PRECAUTIONS THAT APPEAR IN YOUR OWNER'S MANUAL. THEY SERVE AS A REMINDER OF ALL SAFETY RULES NEEDED FOR SAFE OPERATION OF THIS MITERSAW.



**DESIGNATED DANGER ZONE. AVOID POSITIONING HANDS, FINGERS OR ARMS IN THE AREA DESIGNATED BY THIS SYMBOL.**

**▲ WARNING** Some dust created by power sanding, sawing, grinding, drilling, and other construction activities contains chemicals known to cause cancer, birth defects or other reproductive harm. Some examples of these chemicals are:

- Lead from lead-based paints,
- Crystalline silica from bricks and cement and other masonry products, and
- Arsenic and chromium from chemically treated lumber.

Your risk from these exposures varies, depending on how often you do this type of work. To reduce your exposure to these chemicals: work in a well ventilated area, and work with approved safety equipment, such as those dust masks that are specially designed to filter out microscopic particles.

## BOSCH 5312

**▲ WARNING** To reduce risk of injury, user must read and understand the instruction manual. ▲ Wear eye and respiratory protection. ▲ Use saw blade rated 3800/min or greater. ▲ Do not use saw without functioning guard system. If guard doesn't operate smoothly, have it serviced. After changing blade return guard to operating position. ▲ Keep hands a safe distance from saw blade. Always keep outside of No-Hands zone. ▲ Hold or clamp workpiece against base and fence. Never perform any operation freehand. ▲ Do not Cross-Hand cut. Never place your hands or arms across the projected saw blade path. With motor OFF, make a Dry-Run to be aware of the blade's reach. ▲ After turning saw OFF, keep saw in the down position and wait for blade to stop before removing cutoff pieces or changing settings. ▲ To avoid electrical shock, do not expose to rain or use in damp locations. ▲ When servicing use only identical replacement parts. ▲ For bevel or compound cutting, adjust sliding fence clear of blade path and guard system.

**▲ FOR SLIDE ACTION CUTTING, ALWAYS FOLLOW THESE INSTRUCTIONS:**

1. PULL saw carriage away from the fence, until blade clears the workpiece or to its maximum extension if blade can not clear the workpiece.
2. Turn saw "ON" and lower the saw to the table.
3. PUSH saw thru the workpiece. Never "pull-out" since blade may climb the workpiece causing KICKBACK.

**BOSCH 5312**  
 Ø12" (305mm) DUAL-BEVEL  
 SLIDE MITER SAW  
 120V- 50/60Hz 15A n<sub>0</sub> 3800/min (RPM) 3601F65510  
 Robert Bosch Tool Corp., Mount Prospect, IL  
 Made in Taiwan

SN

F192254  
**DOUBLE INSULATED**  
**UL LISTED**  
 Patents Pending TBM 5303

## BOSCH 5412

**▲ WARNING** To reduce risk of injury, user must read and understand the instruction manual. ▲ Wear eye and respiratory protection. ▲ Use saw blade rated 3800/min or greater. ▲ Do not use saw without functioning guard system. If guard doesn't operate smoothly, have it serviced. After changing blade return guard to operating position. ▲ Keep hands a safe distance from saw blade. Always keep outside of No-Hands zone. ▲ Hold or clamp workpiece against base and fence. Never perform any operation freehand. ▲ Do not Cross-Hand cut. Never place your hands or arms across the projected saw blade path. With motor OFF, make a Dry-Run to be aware of the blade's reach. ▲ After turning saw OFF, keep saw in the down position and wait for blade to stop before removing cutoff pieces or changing settings. ▲ To avoid electrical shock, do not expose to rain or use in damp locations. ▲ When servicing use only identical replacement parts. ▲ For bevel or compound cutting, adjust sliding fence clear of blade path and guard system.

**▲ FOR SLIDE ACTION CUTTING, ALWAYS FOLLOW THESE INSTRUCTIONS:**

1. PULL saw carriage away from the fence, until blade clears the workpiece or to its maximum extension if blade can not clear the workpiece.
2. Turn saw "ON" and lower the saw to the table.
3. PUSH saw thru the workpiece. Never "pull-out" since blade may climb the workpiece causing KICKBACK.

**BOSCH 5412**  
 Ø12" (305mm) DUAL-BEVEL  
 SLIDE MITER SAW  
 120V- 50/60Hz 15A n<sub>0</sub> 3800/min (RPM) 0 601 665 1A9  
 Robert Bosch Tool Corp., Mount Prospect, IL  
 Made in Taiwan

SN


F192254  
**DOUBLE INSULATED**  
**UL LISTED**  
 Patents Pending TBM 5303

**"SAVE THESE INSTRUCTIONS"**

## Safety

**⚠ WARNING** “READ ALL INSTRUCTIONS” — Failure to follow the SAFETY RULES identified by BULLET (•) symbol listed BELOW and other safety precautions, may result in serious personal injury.

### Double Insulated Tools

Double insulation  is a design concept used in electric power tools which eliminates the need for the three wire grounded power cord and grounded power supply system. It is a recognized and approved system by Underwriter's Laboratories, CSA and Federal OSHA authorities.

- Servicing of a tool with double insulation requires care and knowledge of the system and should be performed only by a qualified service technician.
- WHEN SERVICING, USE ONLY IDENTICAL REPLACEMENT PARTS.
- POLARIZED PLUGS. To reduce the risk of electrical shock, your tool is equipped with a polarized plug (one blade is wider than the other), this plug will fit in a polarized outlet only one way. If the plug does not fit fully in the outlet, reverse the plug. If it still does not fit, contact a qualified electrician to install the proper outlet. To reduce the risk of electrical shock, do not change the plug in any way.

### Extension Cords

- Replace damaged cords immediately. Use of damaged cords can shock, burn or electrocute.
- If an extension cord is necessary, a cord with adequate size conductors should be used to prevent excessive voltage drop, loss of power or overheating. The table shows the correct size to use, depending on cord length and nameplate amperage rating of tool. If in doubt, use the next heavier gauge. Always use U.L. and CSA listed extension cords.

#### RECOMMENDED SIZES OF EXTENSION

Tool's Ampere Rating	Cord Size in A.W.G.				Wire Sizes in mm <sup>2</sup>			
	Cord Length in Feet				Cord Length in Meters			
	25	50	100	150	15	30	60	120
3-6	18	16	16	14	0.75	0.75	1.5	2.5
6-8	18	16	14	12	0.75	1.0	2.5	4.0
8-10	18	16	14	12	0.75	1.0	2.5	4.0
10-12	16	16	14	12	1.0	2.5	4.0	—
12-16	14	12	—	—	—	—	—	—

NOTE: The smaller the gauge number, the heavier the cord.

### “SAVE THESE INSTRUCTIONS”

## Table of Contents

<p><b>Safety</b> .....2-6</p> <p>General Safety Rules For Bench Top Tools .2</p> <p>Safety Rules For Miter Saws .....3-6</p> <p><b>Table of Contents</b> .....6</p> <p><b>Electrical Requirements</b> .....7</p> <p><b>Getting To Know Your Miter Saw</b> .....7-9</p> <p><b>Assembly</b> .....10-12</p> <p>Tools Needed for Assembly and Alignment .10</p> <p>Unpacking and Checking Contents .....10</p> <p>Installation and Removal of the Blade .....11-12</p> <p>Assembling Dust Elbow and Dust Bag .....12</p> <p><b>Adjustments</b> .....13-16</p> <p>Checking 0° Bevel Adjustment .....13</p> <p>Adjusting Bevel Lock Lever Tension .....13</p> <p>Blade 45° To The Table .....14</p> <p>Blade Square To Fence .....15</p> <p>Miter Scale Indicator Adjustment .....15</p> <p>Kerf Insert .....16</p> <p>Depth Adjustment .....16</p> <p><b>Transporting, Placement and Mounting</b> 17-18</p> <p>Mounting Applications .....17</p> <p>Mounting the saw .....18</p>	<p>Adjusting the Four Position Switch Handle 18</p> <p><b>Basic Saw Operations</b> .....19-22</p> <p>Body and Hand Position .....19</p> <p>Workpiece Support .....20-21</p> <p>Switch Activation .....21</p> <p>Detent Override .....22</p> <p>Sliding Base/Fence Extension .....22</p> <p><b>Saw Operations</b> .....23-30</p> <p>Chop Cut .....23</p> <p>Slide Cut .....23</p> <p>Miter Cut .....24</p> <p>Bevel Cut .....25</p> <p>Compound Cuts .....26</p> <p>Cutting Grooves .....27</p> <p>Cutting Base Molding .....28</p> <p>Cutting Crown Molding .....28-30</p> <p>Special Cuts .....31-33</p> <p><b>Maintenance and Lubrication</b> .....34-35</p> <p><b>Belt Changes</b> .....34</p> <p><b>Troubleshooting</b> .....35-36</p> <p><b>Accessories</b> .....37</p>
---	--

## Electrical Requirements

1. Connect this saw to a 120V, 15-amp branch circuit with a 15-amp time delay fuse or circuit breaker. Using the wrong size fuse can damage the motor.
2. Fuses may “blow” or circuit breakers may trip frequently if motor is overloaded. Overloading can occur if you feed the blade into the workpiece too rapidly or start and stop too often in a short time.
3. Most motor troubles may be traced to loose or incorrect connections, overload, low voltage (such as small size wire in the supply circuit or too overly long supply circuit wire). Always check the connections, the load and the supply circuit whenever motor does not work well.

### Electric Brake

Your saw is equipped with an automatic electric brake which is designed to stop the blade from spinning in about five (5) seconds after you release the trigger switch. It is useful when making certain cuts in wood where a coasting blade would result in a wide, imprecise cut.

**⚠ WARNING** When electrical power is lost due to blown fuse or other causes, the motor will gradually slow down and the braking action is initiated **ONLY** by the release of the trigger switch.

The electric blade brake of your miter saw has been designed for highest degree of reliability, but unexpected circumstances such as contamination on the commutator and brushes or failure of motor's components can cause the brake not to activate. If this condition occurs, turn the saw “ON” and “OFF” four to five times without contacting the workpiece. If the tool operates but the brake does not consistently stop the blade in about five (5) seconds, **DO NOT** use saw and have it serviced immediately.

**⚠ WARNING** The brake action of this saw is not intended as a safety feature. Remember to let the saw blade come to a complete stop before raising the blade from the workpiece. As always the guard system is your best protection against unintentional contact with a spinning saw blade. **NEVER** wedge open or defeat the closing action of the lower guard.

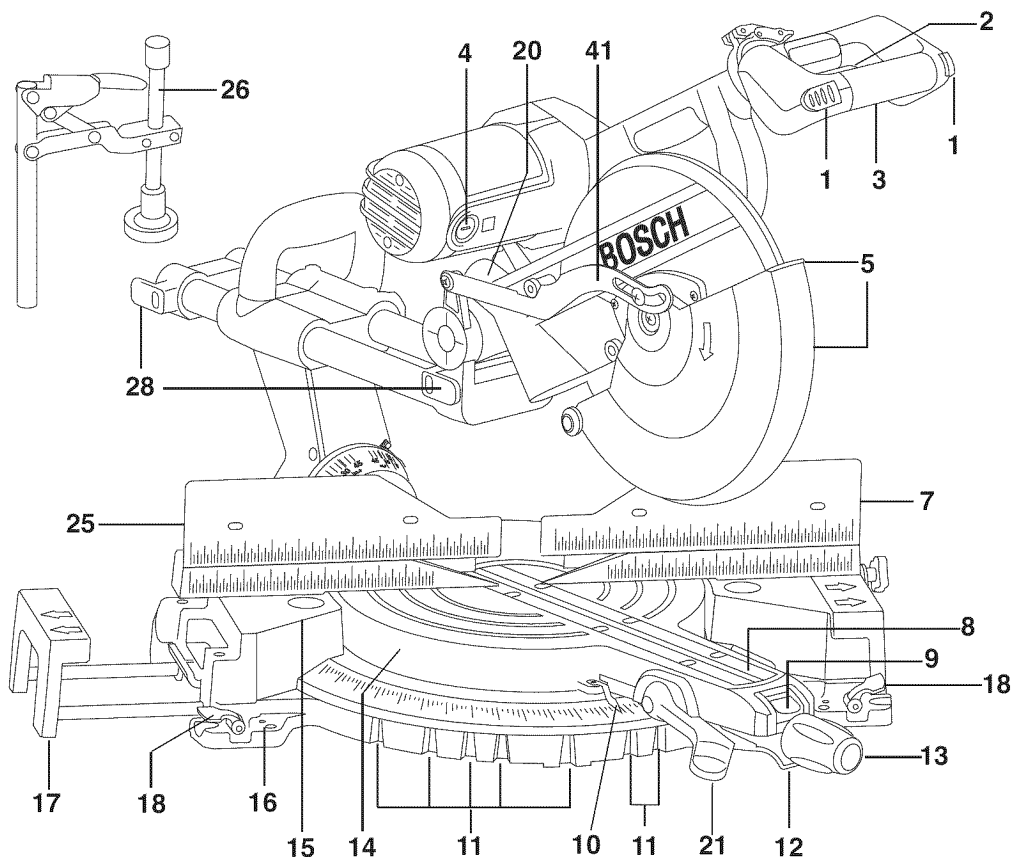
## Getting To Know Your Miter Saw (See page 8)

**⚠ WARNING** To avoid injury from accidental starting, remove plug from power source outlet before making any adjustments.

1. **Switch Lock-Off Release Button** – One of these two buttons must be pressed before the power switch can be pressed.
2. **Power Switch** – The power switch used with the “Lock-OFF” button energizes the unit.
3. **Main Handle** – This handle contains the power switch. Pulling this handle down lowers the blade into the workpiece.
4. **Brush Caps** – These caps keep the motor brushes in position and provide easy access for inspecting and replacing brushes.
5. **Lower Blade Guard/Lower Guard Lip** – The lower blade guard helps protect your hands from the spinning blade. It retracts as the blade is lowered. Lip can be used to raise the lower guard when guard becomes jammed on a workpiece.
6. **Blade** – Use only 12" blades with 1" arbor hole.
7. **Sliding Fence** – Supports the workpiece. The fence has a cast in scale to make repetitive cuts

easy. The fence also has holes to secure an auxiliary fence if desired.

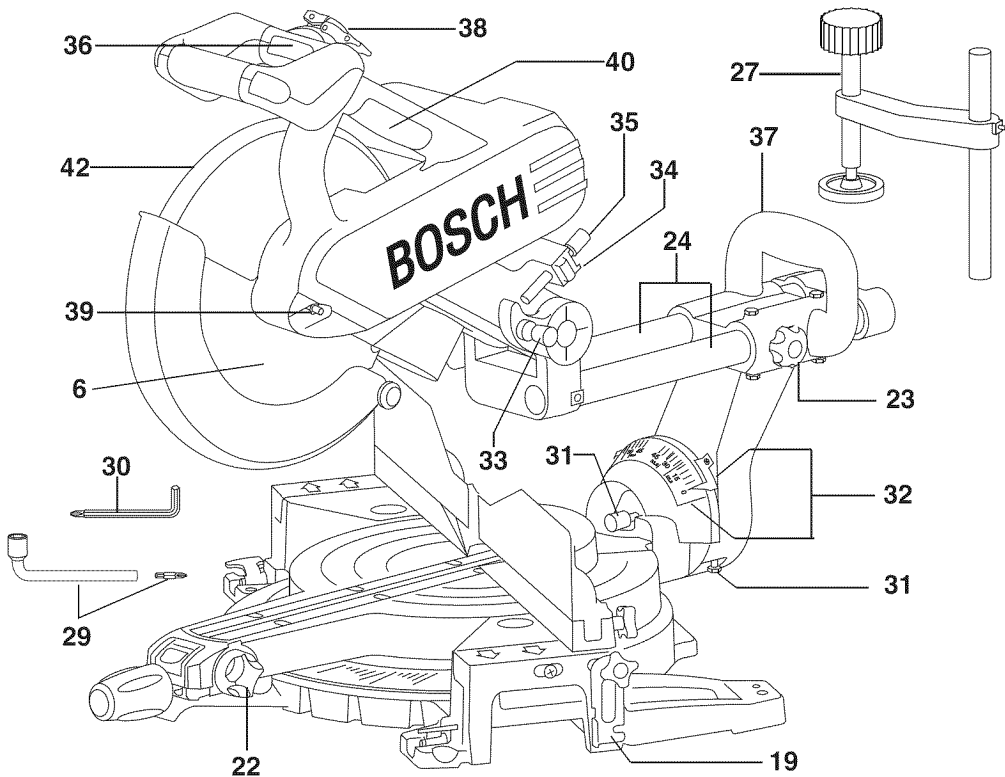
8. **Kerf Inserts** – Kerf inserts can be adjusted to different blade widths to minimize workpiece tear-out.
9. **Miter Detent Override** – Allows detent action to be locked out allowing for micro adjustments to any miter angle.
10. **Miter Scale/Miter Angle Indicator** – This scale is cast in on the base of the saw. Indicator is fastened to the table.
11. **Miter Detents** – There are ten (10) miter detent slots for fast and accurate miter cuts of common miter angles.
12. **Miter Detent Lever** – The lever releases the table from the detent.
13. **Miter Lock Knob** – The miter lock knob locks the miter saw table at any desired miter angle.
14. **Table** – Sits in base, provides workpiece support, rotates for desired miter cuts and rotates the head assembly. The front extended part of the table is called the miter arm.
15. **Base** – Provides working surface to support workpiece.



- 16. Tool Mounting Pads** – The four corners of the saw provide areas to clamp, bolt or nail the saw to a flat work surface.
- 17. Sliding Base Extensions** – These extensions provide extra workpiece support and are especially useful when cutting long workpieces.
- 18. Base Extension Clamping Levers** – These levers lock the base extensions at the desired positions.
- 19. Length Stop (Model 5412 only)** – For repetitive cuts of the same length. Can be moved to left side, if desired.
- 20. Dust Port** – The dust port can accommodate the dust chute and dust bag or a 1-1/4" vacuum hose hookup.
- 21. Bevel Lock Lever** – The front-positioned bevel lock lever locks the head assembly at the desired bevel angle.
- 22. Bevel Range Selector Knob** – Allows selection of the bevel range, 0° to 45° left, 0° to 45° right, and complete range of 47° left to 47° right.
- 23. Slide Rail Lock Knob** – The slide rail lock knob locks the slide rails when you are not making slide cuts and when you are transporting the saw.
- 24. Slide Rails** – Guide the head assembly when making slide cuts.
- 25. Clamp Position Holes** – There are two (2) holes (not shown) behind the fence for placing the clamp.
- 26. Quick Action Clamp (Model 5412 only)** – Provides fast clamping of workpiece.
- 27. Workpiece Clamp (Model 5312 only)** – Provides fast clamping of workpiece.
- 28. Cord Wrap** – Allows you to easily wrap up the cord so it's out of the way when transporting or storing.



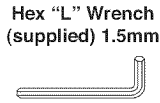
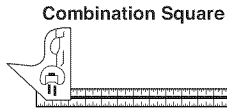
## Getting To Know Your Miter Saw



- 29. Multi Purpose Tool (Model 5412 only)** – Used for loosening/tightening the blade and for fence adjustments.
- 30. Multi Purpose “L” Wrench 6.5 mm (Model 5312 only)** – Used for loosening/tightening the blade.
- 31. Bevel Detent Pin (Crown Molding Setting)** – Allows you to easily lock the head assembly to the bevel angle of 33.9° to the left or right.
- 32. Bevel Scale** – This scale is large and angled to allow you to easily read bevel angles.
- 33. Head Assembly Lock Pin** – The saw is equipped with a lock pin used to lock the head assembly in the lower position for transporting.
- 34. Quick Release Depth Stop Button** – Allows you to quickly release the depth stop.
- 35. Depth Stop Fine Adjustment Knob** – Allows you to adjust the depth of the blade for cutting grooves in the workpiece (Figure 13, page 16).
- 36. Handle Rotation Release Lever (Model 5412 only)** – Pulling this lever allows the handle to be rotated. Release the lever into one of four operating positions.
- 37. Rear Carrying Handle** – Used for lifting of the tool.
- 38. Handle Clamp (Model 5412 only)** – Locks handle in the selected position.
- 39. Arbor Lock** – Allows the user to keep the blade from rotating while tightening or loosening arbor screw during blade replacement or removal.
- 40. Front Carrying Handle** – Used for lifting the tool.
- 41. Lower Guard Actuation Link** – Allows for smooth movement of the lower guard.
- 42. Upper Blade Guard** – Covers upper portion of the blade.

# Assembly

## Tools Needed For Assembly And Alignment

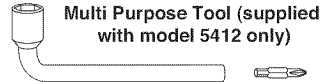
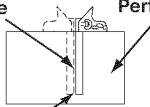


Multi Purpose "L" Wrench 6.5mm  
(supplied with model 5312 only)



Combination Square Must be True  
Draw Light Line on Board  
Along this Edge  
Straight Edge of Board 3/4"  
Thick This Edge Must be  
Perfectly Straight

Should be no Gap or Overlap  
when Square is Flipped Over  
in Dotted Position



10mm/17mm Combination  
Open End Wrench



### **WARNING**

Disconnect plug from power source before performing any assembly, adjustment or repair to avoid possible injury.

## Unpacking And Checking Contents

### **WARNING**

Before moving the saw: Lock the miter lock knob in 45° position. Lock bevel lock handle. Pull the head assembly completely toward you and tighten the slide rail lock knob. Lock head assembly in the down position.

**Never carry the tool by the slide rails, this may cause blade damage.**

Never carry the tool by the cord or head assembly power switch handle. Damage to insulation could cause an electric shock. Damage to wire connections could cause a fire.

Models 5312 & 5412 Miter Saws are shipped complete in one box.

1. Separate all parts from packing materials and check each one with the "Table of Loose Parts" to make sure all items are accounted for before discarding any packing material.

2. Table of Loose Parts:  
Quick- Action Clamp (Model 5412 only) - Used to clamp workpieces.

Workpiece Clamp (Model 5312 only) - Used to clamp workpieces.

Dust Elbow/Dust Bag - Used to collect saw dust.

Multi Purpose Tool (Model 5412 only) - Should be stored on the right rear base.

Rear Cord Wrap, washer and Screw - Used for wrapping the cord

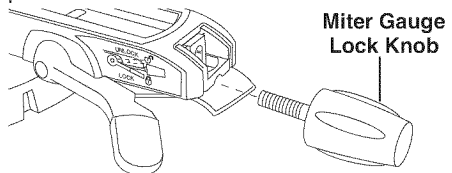
Miter Lock Knob - Used to lock the table at desired miter angle.

### **WARNING**

If any parts are missing, do not plug in power cord or turn the switch on until the missing parts are obtained and are installed correctly.

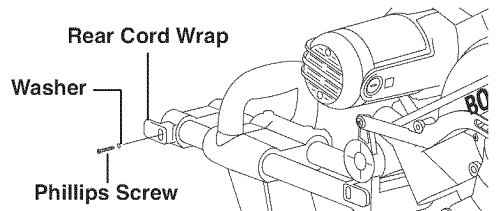
#### Attaching Miter Lock Knob

Locate the miter gauge lock knob from among the loose parts, and thread shaft on lock knob into hole provided.



#### Attaching Rear Cord Wrap

Locate the rear cord wrap from among the loose parts, position rear cord wrap as shown and secure with washer and phillips screw provided.



# Assembly

## Installation And Removal Of The Blade

**▲ WARNING** Disconnect plug from power source before performing any assembly, adjustment or repair to avoid possible injury.

1. The miter saw is equipped with a lock pin used to lock the miter saw in the lower position. To release, push the handle down slightly and pull the lock pin to its full out position and rotate 90°.

NOTE: If the lock pin is stuck and will not pull out when the handle is pushed down slightly, you may have to adjust the depth stop bolt (see Depth Adjustment, page 16) slightly so the handle can be pushed down and the lock pin can be pulled out.

2. Rotate the lower guard by hand. Loosen front cover screw to a point that cover plate can be lifted (Figure 1).

3. Rotate the cover plate counterclockwise so the blade bolt is exposed (Figure 1).

4. Press and hold the arbor lock (See figure on page 9). Use the multi purpose tool or multi purpose “L” wrench to remove the blade bolt by turning wrench clockwise.

5. Remove the blade bolt, outer washer and the blade. Inner washer does not need to be removed (Figure 2).

6. To install the 12" blade, fit blade between the chip deflectors and onto the arbor shaft, and onto 1" support ring on the inner washer (Figure 3). NOTE: Make sure the rotation arrow on the blade matches the clockwise rotation arrow on the lower guard.

**▲ WARNING** To avoid injury, do not use a blade larger or smaller than 12" diameter and 1" arbor.

7. Replace the outer washer in it's proper orientation, and tighten blade bolt finger tight. Press the arbor lock and tighten blade bolt securely using multi purpose tool or multi purpose “L” wrench, but do not overtighten.

8. Rotate cover plate clockwise to original position. Tighten the front cover plate screw.

**▲ WARNING** Tighten the cover plate screw. Loose cover plate screw may interfere with and hang-up lower blade guard. Never use saw without cover plate securely in place. Lower guard will not function properly.

9. Be sure the arbor lock is released so the blade turns freely.

**▲ WARNING** After installing a new blade, make sure the blade does not in-

terfere with the table insert at the 0° and 45° bevel positions. Lower the blade into the table slot and check for any contact with the base or turn table structure. If blade contacts base or table, seek authorized service.

10. Place multi purpose tool or multi purpose “L” wrench in rubber grommet in right rear of tool.

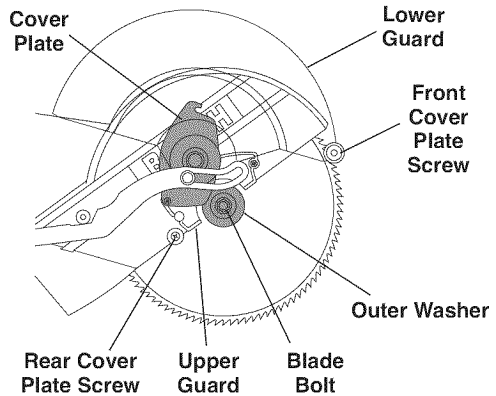


Figure 1. Blade Removal

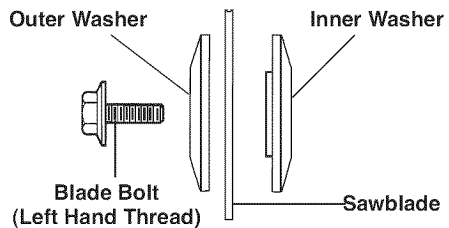


Figure 2. Blade Hardware

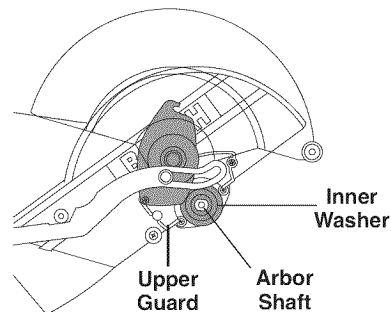


Figure 3. Blade Installation

## Assembly

### Assembling Dust Elbow And Dust Bag

1. With the miter arm locked in the down position, push the dust elbow onto the dust port. Push the dust bag onto the elbow and rotate both to desired position. (Figure 4).
2. Position dust chute/bag so that it does not interfere with the tool during the cutting operation for all miter/bevel settings. Make sure dust bag does not interfere with the slide rails during slide cutting.
3. The dust bag requires emptying when full of sawdust. Empty it frequently and after completion of sawing. Carefully remove dust bag from dust elbow. Empty dust bag in proper trash bin by unzipping the bag. Be extremely careful of dust disposed, materials in fine particle form

may be explosive. Do not throw sawdust on an open fire. Spontaneous combustion, may in time, result from mixture of oil or water with dust particles.

Note: The dust port also accepts a standard 1-1/4" vacuum tube for dust collection.

**⚠ WARNING** When sawing chemically pressure treated lumber, paint that may be lead based, or any other materials that may contain carcinogens, use special precautions. A suitable respirator must be worn by all personnel entering the work area. Work area should be sealed by plastic sheeting and persons not protected should be kept out until work area is thoroughly cleaned.

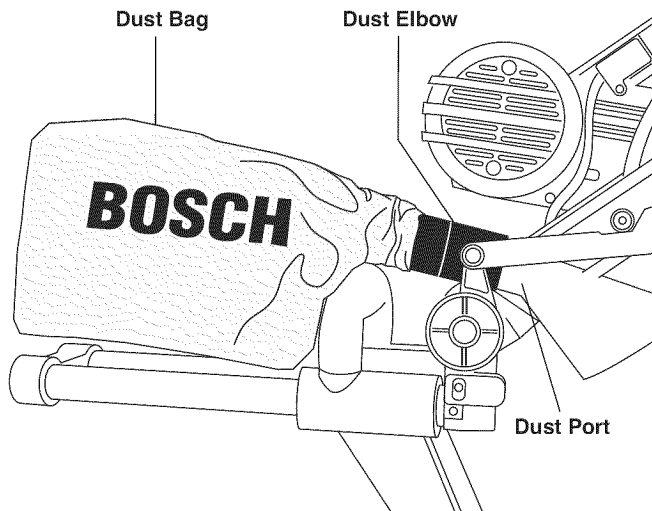


Figure 4. Dust Elbow and Dust Bag

## Adjustments

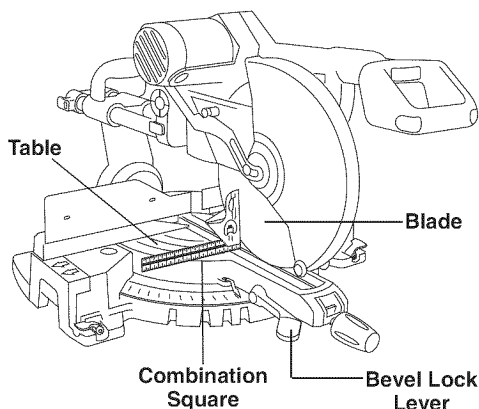
**⚠ WARNING** Disconnect plug from power source before performing any assembly, adjustment or repair to avoid possible injury.

**NOTE:** Your miter saw was completely adjusted at the factory. However, during shipment, slight misalignment may have occurred. Check the following settings and adjust if necessary prior to using this miter saw.

### Checking 0° Bevel Adjustment

1. Push head assembly down and push head assembly lock pin to hold down head assembly.
2. Slide head assembly completely to the back and tighten the rail lock knob.
3. Rotate table to 0° miter position
4. Pull up bevel lock lever to loosen.
5. Check position of bevel range selector knob, it should be at the 0°-45° position.
6. Tilt the saw assembly to the left counterclockwise. Then rotate saw assembly to the right (clockwise). Until you feel the stop in the vertical position – This is where the saw is currently set for the 0° bevel cut.

Lower the blade and engage the lock pin. Use a combination square to check blade squareness to the table. Place the square on the table and press it against the blade. If the blade does not contact the full length of the square, (figure 5), follow the alignment procedure.

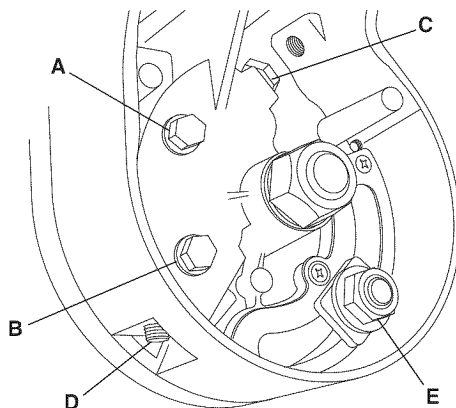


**Figure 5. Blade Square to Table**

### Calibrating Blade at 0 degrees (90° to the table)

1. Lift bevel lock lever to release bevel lock.

2. Loosen bolt heads "A" and "B" with 10 mm open-end wrench at least one full turn (Figure 6).
3. Place 4 mm Allen wrench bit onto multi purpose tool and into setscrew "D" (Figure 6).
4. Loosen setscrew "D" with 4 mm Allen wrench - at least 3 full turns.



**Figure 6. Calibrating Blade at 0 degrees (90° to the table)**

5. Place combination square on table and against fence. (See figure 5)
6. While rotating bolt head "C", watch the saw blade tilt until it is aligned with the combination square. When aligned, remove the Allen wrench.
7. Tighten setscrew "D".
8. Tighten 10 mm bolt heads "A" & "B"
9. Check and adjust bevel pointers to 0 degrees on each side of bevel scale.
10. Push down bevel lock lever before cutting.

### Adjusting Bevel Lock Lever Tension

1. Lift bevel lock lever to release bevel lock.
2. Place 17-mm open-end flat wrench on bolt head "E" (Figure 6).
3. Turn nut "E" clockwise 1/8 turn to tighten bevel lock tension or turn counter-clockwise to 1/8 turn to loosen bevel lock tension.
4. Push down bevel lock lever.
5. Verify that bevel lock tension holds the bevel position secure and also allows bevel lock lever to lock down to the point that a solid stop is felt.
6. If necessary, repeat steps 1 – 5 to adjust the tension.

## Adjustments

### Blade 45° To The Table

#### Checking 45° Bevel Adjustment

1. Push head assembly down and push head assembly lock pin to hold down head assembly.
2. Slide head assembly completely to the back and tighten the rail lock knob
3. Rotate table to the 0° miter position
4. Pull up bevel lock lever to loosen.
5. Check position of bevel range selector knob, it should be at the 0°- 45° position.
6. Tilt the saw assembly to the left counterclockwise. Then rotate saw assembly to the right (clockwise). Until you feel the stop in the 45° left position – This is where the saw is currently set for the 45° left bevel cut.

Use a head of combination square to check blade at the 45° stop. Place the combination square head on the table and press its 45° surface against the blade. If the blade does not contact the full length of the square, (figure 5), follow the alignment procedure.

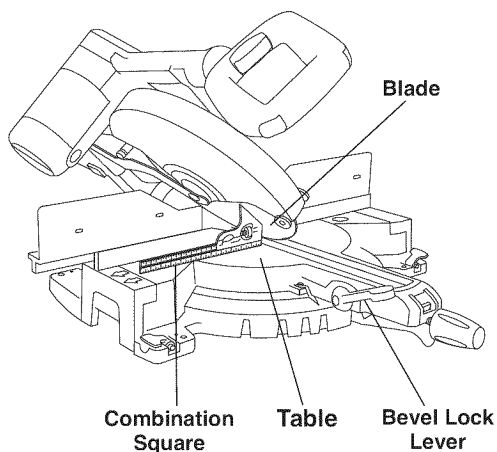


Figure 7. Blade 45° To The Table

Use a head of combination square to check blade at the 45° stop. Place the combination square head on the table and press its 45° surface against the blade. If the blade does not contact the full length of the square, (figure 5), follow the alignment procedure.

#### Calibrating Blade at 45 degrees to the table

1. Lift bevel lock lever to release bevel lock.
2. Tilt saw head to 45 degree stop on left side.
3. Place combination square frame (remove ruler) with 45 side against the blade. (See figure 7)
4. Place 10 mm open-end wrench on bolt head "F" (Figure 8).
5. While rotating bolt "F", watch blade tilt movement until it is aligned with the 45 degree surface on combination square frame.
6. Check and adjust bevel pointers to 45 degrees on each side of bevel scale.
7. Push down bevel lock lever before cutting.

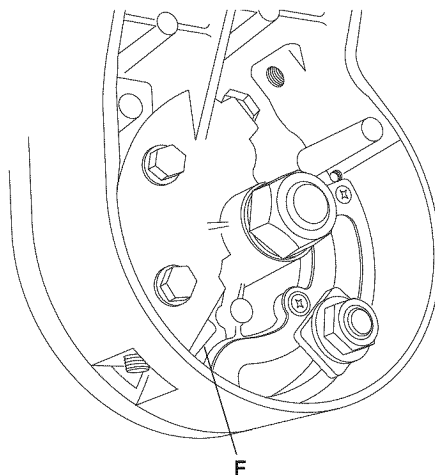


Figure 8. Calibrating Blade at 45 degrees to the table

## Adjustments

### Blade Square to Fence

1. Make sure head assembly is pushed forward near the center of the table and slide rail lock knob is tightened.
2. Lower the head assembly, pull the lock pin out and rotate it 90°, rotate to lock the head assembly in the down position. Make sure table is in 0° detent and tighten miter lock knob. Place a combination square against the fence and next to the blade as illustrated. Locate the square properly so it does not contact the tooth of saw blade. The saw blade should contact the full length of the square (Figure 9).
3. If blade does not contact the square, follow the fence alignment procedure.

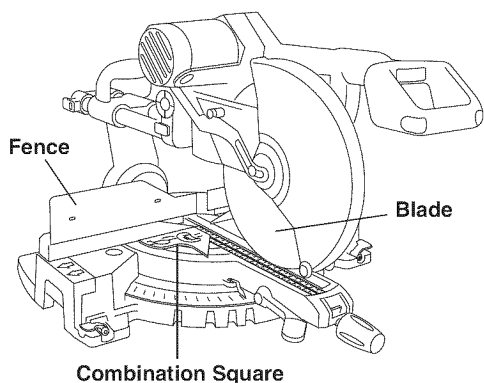


Figure 9. Blade Square to Fence

### Fence alignment

- a. Remove sliding fence extensions.
- b. The head assembly should remain in lowered position.
- c. Use multi purpose tool (supplied with model 5412 only) or use a 7/16" socket and loosen four (4) hex bolts behind fence (Figure 10).
- d. Adjust fence until blade and the fence has full contact with the square.
- e. Tighten hex bolts.
- f. Re-attach sliding fence.

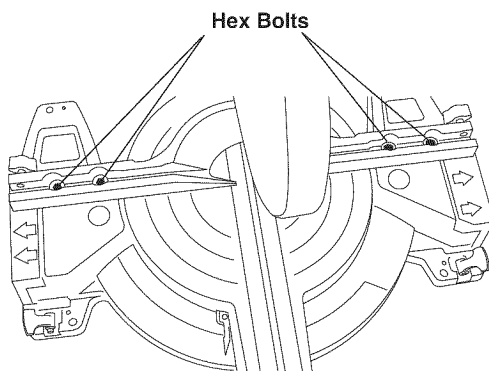


Figure 10. Fence Adjustment

### Miter Scale Indicator Adjustment

1. Rotate table to 0° position and lock in place.
2. Raise the head assembly to the full-up position.
3. Loosen the Phillips screw that holds the indicator in place (Figure 11).
4. Position the indicator to align with the 0° miter mark. Tighten the screw.

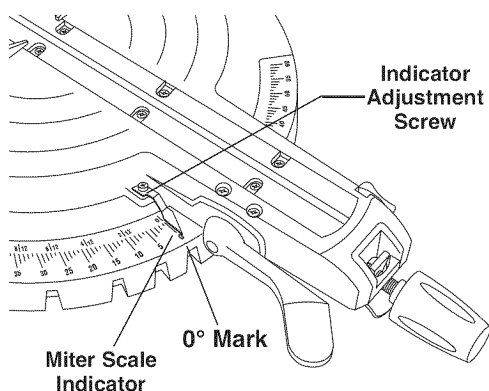


Figure 11. Miter Scale Adjustment

## Adjustments

### Kerf Insert

The kerf insert should be adjusted close to the blade, but without touching the blade, to avoid tear-out on the bottom of the workpiece.

1. Lower the head assembly and lock into position.
2. Loosen the six (6) kerf screws using the multi purpose tool or multi purpose "L" wrench (Figure 12).
3. Adjust the kerf inserts as close to the blade (teeth) as possible without touching the blade.
4. Tighten the kerf screws.

NOTE: At extreme bevel angles the saw blade may slightly cut into kerf insert.

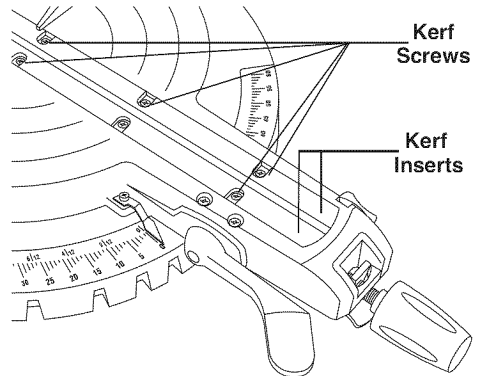


Figure 12. Kerf Insert

### Depth Adjustment

- When the diameter of the blade has been reduced due to sharpening, it may be necessary to adjust the depth stop. When a new blade is installed, it is necessary to check the clearance of the blade to the turn table structure.

#### Setting Blade Depth for Normal Full Cuts

- The depth stop adjustment is a feature used when cutting grooves in the workpiece. (See page 27 for cutting grooves.)
1. Loosen and turn both Jam Nuts to just above the threaded end of the Depth Stop Bolt (Figure 13).
  2. Press Depth Stop Release Button and pull up Depth Stop Bolt until nuts hit the bottom of its support frame (Figure 13).
  3. Set the table to the 0° miter position. Push down and slide back saw head to the full back position.
  4. While looking at both the blade and the corner where the fence meets the table, turn the Depth Stop Bolt to set the blade depth to about 1/4 inch below the table's surface.
  5. Release the saw head to the up position.
  6. Turn both Jam Nuts to be tight against the bottom of the support frame. Tighten nuts against each other.
  7. Practice slide cutting (with tool unplugged) to verify that the blade does not touch table. If it clears the table, make a practice cut (with tool plugged)

on scrap wood to verify that the cut goes completely through the lower front edge of the workpiece

**CAUTION** Do not start the miter saw without checking for interference between the blade and the turn table structure. The blade could be ruined if it cuts into the table structure.

#### Setting Blade Depth for Cutting Grooves

The depth stop can be easily adjusted to limit the cutting depth, such as when creating a rough slot.

(See page 27 for instructions)

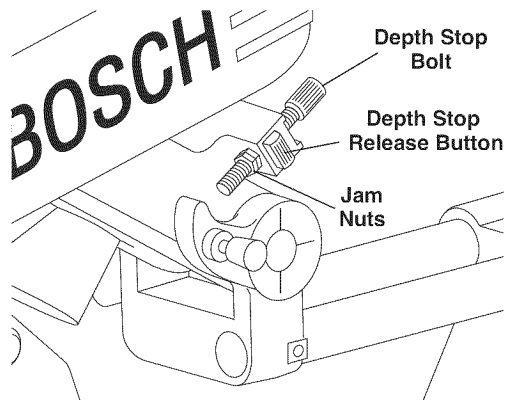


Figure 13. Depth Adjustment



## Transporting, Placement and Mounting

**▲ WARNING** To avoid injury always observe the following:

- Unplug electric cord. Before transporting the saw, rotate head and lock assembly to 60° right miter, lock into detent, slide head assembly to the middle of its rail, tighten the slide rail lock knob and lock the head assembly in the lowered position.

### Lifting Saw

- To avoid back injury, hold the tool close to your body when lifting. Bend your knees so you can lift with your legs, not your back.
- Lift by using the cast-in carry handles at each side of the bottom of the base.
- Alternate lifting method: When picking tool up from ground, use rear carrying handle and front carrying handle (above guard).
- **Never carry the tool by the slide rails, this may cause blade damage.**

- **Never lift tool by holding switch handle. This may cause serious damage.**

- Never carry the miter saw by the power cord or the operational handle. Attempting to lift or carry the tool by the power cord will damage the insulation and the wire connections resulting in electric shock or fire.

- Observe the position of the saw. People standing behind it could be injured by thrown debris.

- Place the saw on a firm, level surface where there is plenty of room for handling and properly supporting the workpiece.

- Bolt, nail or clamp the saw to its support.

**▲ CAUTION** Be careful not to over-drive nail or over-torque the bolt. This could crack foot or damage base.

## Mounting Applications

### Workbench

Mount the saw using either the four bolt holes (5/16") or the four nail holes to the workbench (Figure 14). Check for clearance to the left and right of the saw.

1. Each of the four mounting holes should be bolted securely using 5/16" bolts, lock washers, and hex nuts (not included).
2. Locate and mark where the saw is to be mounted.
3. Drill four (4) 5/16" diameter holes through workbench.
4. Place the miter saw on the workbench aligning holes in base with holes drilled in workbench. Install bolts, lock washers and hex nuts. As an alternative, you can mount the saw using drywall screws in the four nail holes.

Supporting surface where saw is to be mounted should be examined carefully after mounting to ensure that no movement can occur during use. If any tipping or walking is noted, secure the workbench or stand before operating the slide compound miter saw.

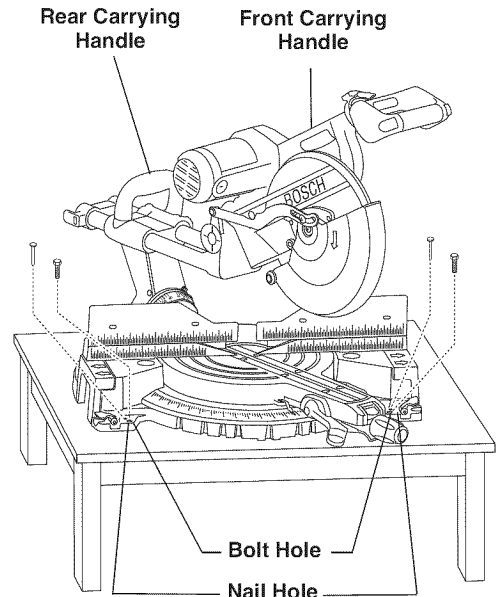


Figure 14. Workbench Mounting

## Mounting the Saw

### Portable Mounting Using Clamps

- If necessary, clamp the miter saw to a workbench or table top.
- Place two (2) or more “C” clamps on the clamping areas and secure (Figure 15).
- Be careful not to place clamps over the base extension clamping levers (Figure 15).
- Mounting with clamps will prevent access to some wide miter angles.

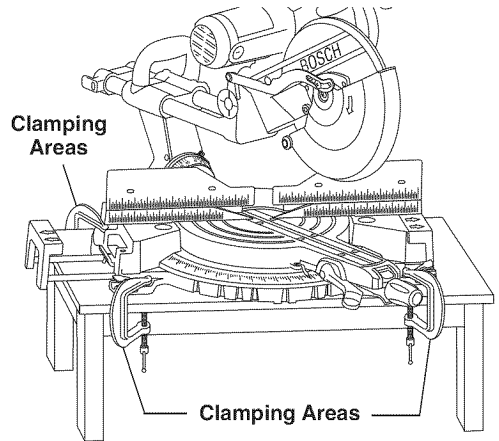


Figure 15. Portable Mounting Using Clamps

## Adjusting the Four Position Switch Handle (Model 5412 only)

### Setting Main Handle in Desired Position

The switch handle can be positioned in any of four different orientations, depending on the cutting situation and user preference.

- vertical
- horizontal
- 45° Left
- 45° Right

To reposition the main handle:

1. Release handle clamp (Figure 16).
2. Pull and hold handle rotation release lever (Figure 16).
3. Rotate handle to desired location.
4. Let go over release lever to set handle into place. Release lever will retract down only in one of the four (4) positions

**Note:** Power switch can not be actuated unless release lever is retracted down. Do not attempt to switch tool on between handle position, damage may occur.

5. Lock the handle clamp.

### Adjusting the Four-Position Handle Clamp Tension

1. Open handle clamp.

2. Using 1.5 mm Allen wrench, increase tension by turning both setscrews 1/4 turn to the left, tighten by turning to the right. Always adjust both setscrews by the same amount.
3. Close handle clamp.
4. Check the tension.

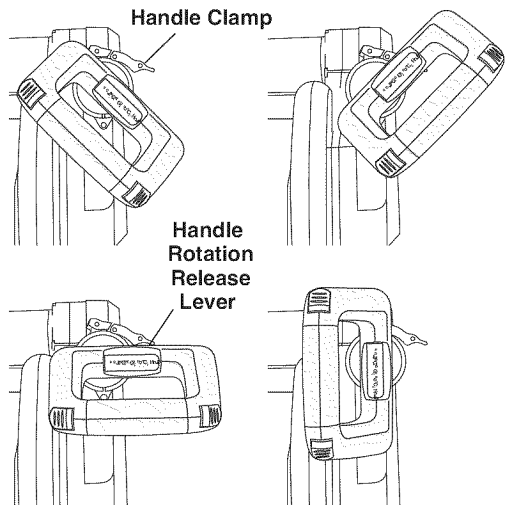


Figure 16. Setting Main Handle Position

# Basic Saw Operations

## Body and Hand Position

**WARNING** Position your body and hands properly to make cutting easier and safer. Observe the following instructions (Figure 17).

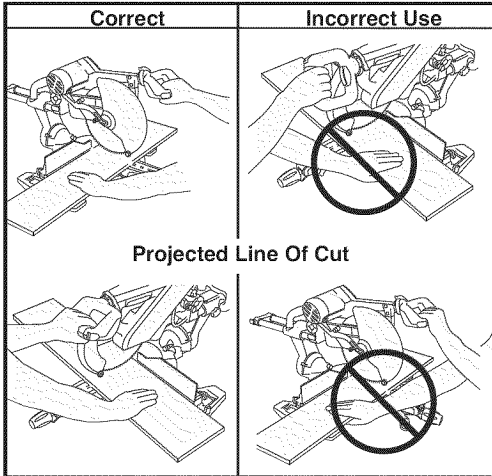


Figure 17. Hand Positions

- Never place hands near cutting area. Keep hands and arms outside the "No Hands" zone.
- Note the "No Hands Zone" sticker located on each side of the base. The "No Hands Zone" is defined as the entire Table plus the portion of the Base on the right and left that falls between the outer edge of these two stickers and portions of the Fence within this boundary.
- Be aware of the path of the sawblade. Make a dry run with the saw OFF by conducting a simulated cutting cycle, and observe the projected path of the sawblade. Keep hands out of the path of sawblade.

**DRY RUN**—It is important to know where the blade will intersect with the workpiece during cutting operations. Always perform the simulated cutting sequence with the power tool switched OFF to gain an understanding of the projected path of the sawblade. Mentally note where the path of sawblade will fall and set up your work to keep your hands and arms out of the path of the spinning blade. Adjust your clamps and fences so that the smooth lower guard and cutting action is not interfered with during cutting operation.

- Hold workpiece firmly against table and fence to prevent movement.

- Keep hands in position until trigger has been released and blade has stopped completely.
- Never place hands on slide rails.
- Keep feet firmly on the floor and maintain proper balance.
- Follow the miter arm when mitering left or right. Stand slightly to the side of the saw blade.

**WARNING** The lower guard may not automatically open under certain cutting conditions. For example, when trying to cut workpieces that are near the maximum cutting height capacity. Under these conditions or during the sliding motion of cut, the workpiece can stop the lower guard movement before the downward motion of the arm could pre-open the lower guard.

**If this occurs:**

- Workpiece must be securely clamped. This frees a hand to raise the guard by the lip just enough to clear the workpiece (Figure 18).
- Start the saw and begin your cut.
- Once you have cleared the position where the lower guard may bind, release the guard and it will continue to operate automatically as you cut.

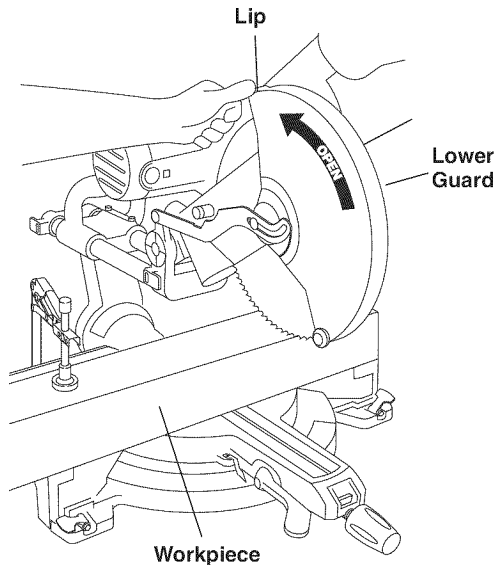


Figure 18. Raising Lower Guard

# Basic Saw Operations

## Workpiece Support

**⚠ WARNING** Long workpieces have a tendency to tip over unless clamped down and properly supported from underneath.

**Clamps** - The clamp easily secures a workpiece in either of two (2) clamp holes behind the fence (Figure 19 & 19a).

- Minimum of 1/2" of knurl must engage clamp post to be effective.
- Adjust screw if necessary to clear fence or for large differences in wood heights.

### Workpiece Clamp (Model 5312 Only)

1. Insert clamp post into clamp hole.
2. Loosen wing nut and adjust arm to proper height, and securely tighten wing nut.
3. Rotate screw knob of the clamp clockwise to tighten, counter-clockwise to loosen.
4. Move the head assembly to check clearance with clamp.

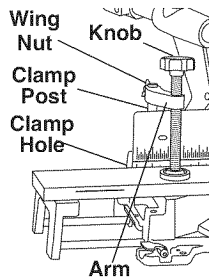


Figure 19. Workpiece Clamp

### Quick-Action Clamp (Model 5412 only)

1. With clamp in open (lever raised) position, insert clamp into clamp post until rubber foot comes into contact with material.
2. Press down on lever to tighten clamp.
3. Move the head assembly to check clearance with clamp.
4. Pull up on lever to release clamp.

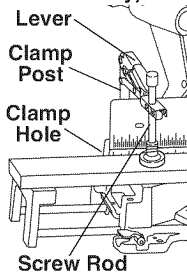


Figure 19a. Quick-Action Clamp

**⚠ WARNING** There may be extreme compound cuts where clamp cannot be used. Support workpiece with hand outside No Hands Zone. **Do not try to cut short pieces** that cannot be clamped and cause your hand to be in the No Hands Zone.

**Horizontal Clamp** – The optional MS1221 Horizontal Clamp and crown stop can be mounted on either side of the tool and holds the workpiece firmly against the fence.

**Conventional Clamps** – and other hold down devices can be used to hold the workpiece firmly against the table and the fence.

### Long workpiece support

**Sliding Base Extensions** – These extensions provide extra workpiece support and are especially useful when cutting long workpieces. To reposition the extensions, simply unlock the Base Extension Clamping Levers, reposition the extensions, and relock the levers (Figure 20). (See also Length Stop on page 27.)

**Extra-Long Base Extension Rods** – The optional MS1222 Base Extension Kit allow the 5312 or 5412's base extensions to extend out to 60". Even after these longer rods are installed on the base, the base extensions can be fully retracted for transportation and storage.

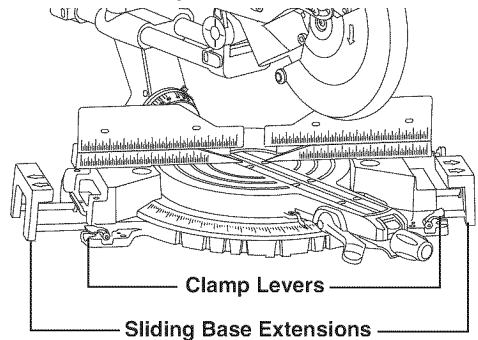


Figure 20. Sliding Base Extensions

**Blocks** - Long pieces need extra support. The base height (3-3/4") is designed to match the standard lumber of two 2x's and one 1x. Boards of these thicknesses can be used to create auxiliary support extensions for long workpieces (Figure 21).

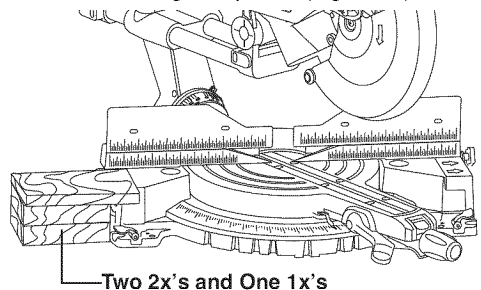


Figure 21. Block Support

## Basic Saw Operations

### Auxiliary Fence

Certain types of molding need a fence face extension because of the size and position of the workpiece. Holes are provided in the fence to attach an auxiliary fence. The auxiliary fence is used with the saw in the 0° bevel position only.

1. Place a piece of wood against the miter saw fence (Figure 22). (Wood can have a maximum height of 4-1/2"). Check that auxiliary fence assembly does not interfere with head assembly.

For splinter-free cuts of molding, attach a one piece wood auxiliary fence and then cut openings with miter saw.

2. Mark the locations of the support holes on the wood from the back side of the fence.
3. Drill and countersink the holes on the front of the support board.
4. Attach (each) auxiliary fence using two (2) 3/16" flat head machine screws. With 3/4" auxiliary fence use 1-1/2" long screws. Secure behind metal fence with washer and machine nuts.

Alternate: With 3/4" auxiliary fence, use 1/4" round head screws wood screws (3/4" long). Drill four (4) smaller (then 1/4" pilot holes through auxiliary fence and run screws through rear of metal fence.

5. Make a full depth cut to create the blade slot. Check for interference between the auxiliary fence and the lower blade guard. Make adjustments as necessary.

**⚠ WARNING** Check for interference from any components.

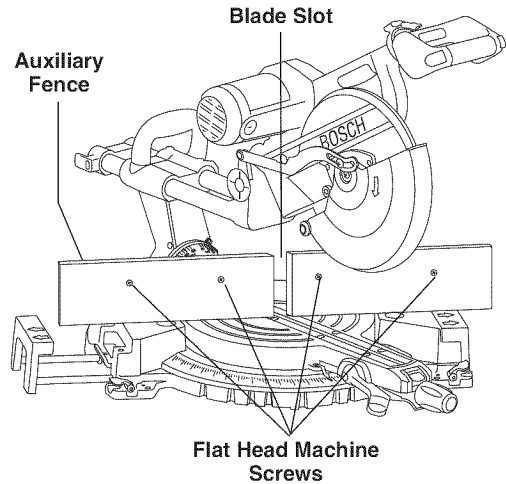


Figure 22. Auxiliary Fence

### Switch Activation

For safety, the switch lever is designed to prevent accidental starts. To operate safety switch, press the switch "Lock-OFF" button with either thumb to disengage the lock, then pull the power switch lever and release the switch "Lock-OFF" release button (Figure 23). When the power switch lever is released, the switch "Lock-OFF" button will engage the safety switch automatically, and the lever will no longer operate until either "Lock-Off" button is pressed again.

NOTE: Switch lever can accommodate a padlock with a long shackle of up to 1/4" in diameter (not provided with miter saw to prevent unauthorized use.

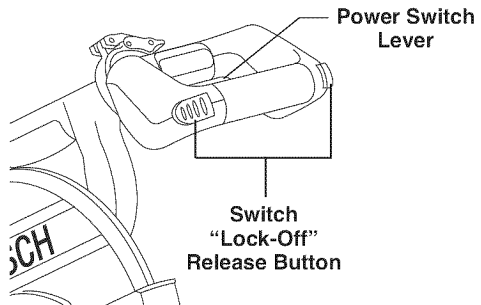


Figure 23. Switch Activation

## Basic Saw Operations

### Miter Detent Override

The miter detent override feature allows the detent action to be locked out, allowing for micro adjustments at any miter angle. When the desired miter angle is too close to a standard mitering angle that has a detent slot, this feature prevents the wedge on the miter arm from slipping into the detent slot on the base.

1. Lift and hold the miter detent lever (under base arm).
2. Push the detent override clip forward and latch in place over edge. Release miter detent lever (Figure 24).
3. Move miter arm to any position on the miter scale.
4. Lock the miter lock knob to retain miter position.

#### To Disengage:

5. Loosen miter lock knob and lift the miter detent lever to release the detent override clip. The clip should automatically disengage and the

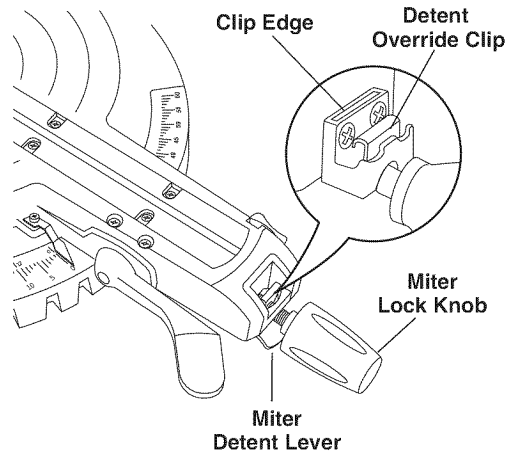


table should lock into any desired miter detent.

Figure 24. Detent Override

### Sliding Fences and Base Extensions

**⚠ WARNING** So as to provide sufficient (minimum 6") spacing from hand to saw blade, extend the sliding fences and base extensions when making extreme bevel, miter or compound cuts.

The base extensions can also be used to provide extra support for long workpieces.

#### Sliding Base:

1. Loosen the base extension clamping levers (Figure 25).
2. Extend sliding base extensions to the desired position.
3. Press the levers down to clamp the extensions into place.

#### Sliding Fence:

1. Loosen the fence locking knobs (behind fence).
2. Slide fence to proper position.
3. Tighten knobs to lock fence into place.

#### To Temporarily Remove Sliding Fence:

Some extreme compound angles make it necessary to remove one of the sliding fences.

1. Unscrew fence knob until at least 1/2" of thread shows.
2. Slide fence to its centermost position.

3. Lift fence to remove.
4. Tighten knob

After the cut is complete, reinstall the sliding fence. To reinstall the sliding fence, reverse this procedure.

**⚠ CAUTION** During transportation, sliding base extensions and fences should always be secured in the fully closed position.

See page 20 for information about other types of workpiece support.

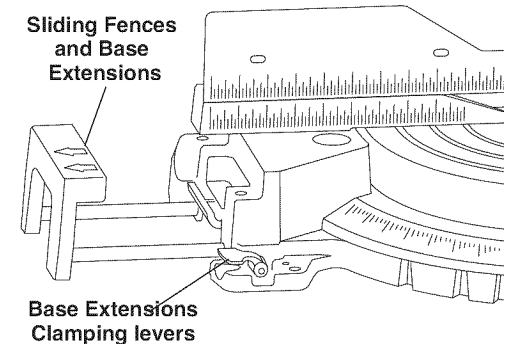


Figure 25. Sliding Fences and Base Extensions

## Saw Operations

### Chop Cut

- The slide rail lock knob is tightened and the head assembly is lowered to cut through the workpiece.
- This type of cut is used mainly for narrow pieces.

#### Follow these instructions for making your chop cut:

1. Slide the head assembly to the rear as far as it will go (Figure 26).
2. Tighten the slide rail lock knob (Figure 26).
3. Properly position workpiece. Make sure workpiece is clamped firmly against the table and the fence.

**▲ WARNING** Use clamping position that does not interfere with operation. Before switching on, lower head assembly to make sure clamp clears guard and head assembly.

4. Activate the switch. Lower the head assembly and make your cut.

5. Wait until blade comes to a complete stop before returning head assembly to the raised position and/or removing workpiece.

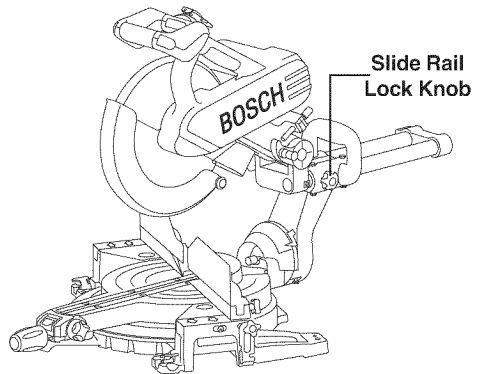


Figure 26. Chop Cut

### Slide Cut

- The slide rail lock knob is loose, the head assembly is pulled towards the operator, the head assembly is lowered to the workpiece and then pushed to the rear of the saw to make the cut.
- This type of cut is used mainly for wide pieces.
- A positive blade hook of 10 degrees or more is recommended for best performance when making aggressive cuts or cutting thicker materials.

**▲ WARNING** NEVER pull the saw toward you during a cut. The blade can suddenly climb up on top of the workpiece and force itself toward you.

#### Follow these instructions for making your slide cut:

1. Properly position workpiece. Make sure workpiece is clamped firmly against the table and the fence.

**▲ WARNING** Use clamping position that does not interfere with operation. Before switching on, lower head assembly to make sure clamp clears guard and head assembly.

2. Loosen the slide rail lock knob.
3. Grasp the switch handle and pull the head assembly away from the fence, until the blade clears the workpiece or to its maximum extension if blade cannot clear the workpiece (Figure 27).
4. Activate the switch. Lower the assembly all the

way down and cut through the edge of the workpiece.

5. Push (but do not force) the head assembly towards the fence to the full rear position to complete the cut.
6. Wait until blade comes to a complete stop before returning head assembly to the raised position and/or removing workpiece.

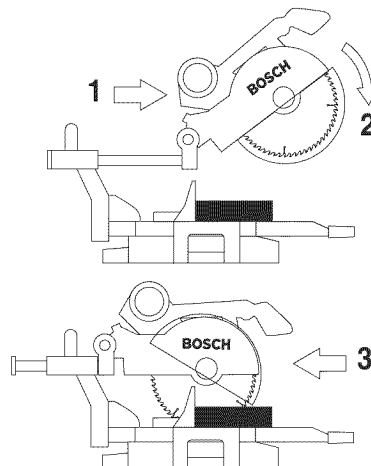


Figure 27. Slide Cut

## Saw Operations

### Miter Cut

- A “miter cut” is a cross-cut made with the blade vertical (non-tilted) at a horizontal angle relative to the fence.
- A miter cut is made at 0° bevel and any miter angle in the range from 52° left to 60° right.
- The miter scale shows the angle of the blade relative to the fence angle is cast-in on the table for easy reading.
- Positive detents have been provided for fast and accurate mitering at 0°, 15°, 22.5°, 31.6° and 45° left and right and 60° right.
- The crown molding detents (left and right) are at 31.6° (See Cutting Crown Molding for more information page 29).
- For precision settings at angles next to the detents, use the detent override to lock out the detent. This prevents the wedge on the detent lever from slipping back into the detent.
- A miter cut can be made as either a chop cut or a slide cut, depending on the width of the workpiece.
- The kerf inserts should be as close to the blade as possible without touching the blade (see Kerf Inserts for adjustment procedures).

#### Follow these instructions for making your miter cut:

1. Loosen miter lock knob. Lift miter detent lever and move the saw to the desired angle, using either the detents or the miter scale. Tighten miter lock knob (Figure 28).
2. Extend the base extensions and fence on the side on which the cut will be made. (See Sliding Fence and Base Extension on page 22).

3. Properly position workpiece. Make sure workpiece is clamped firmly against the table or the fence.

**▲ WARNING** Use clamping position that does not interfere with operation. Before switching on, lower head assembly to make sure clamp clears guard and head assembly.

4. Follow procedures for either chop cut or slide cut (see page 23).
5. Wait until blade comes to a complete stop before returning head assembly to the raised position and/or removing workpiece.

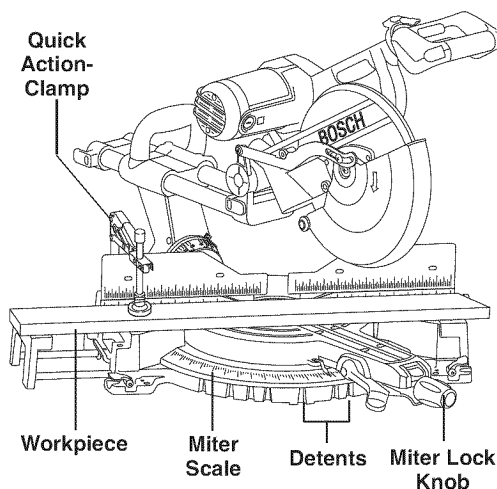


Figure 28. Miter Cut

### Bevel Cut

- A “bevel cut” is a cross-cut made with the blade perpendicular to the fence but tilted away from the vertical position.
- A bevel cut is made at 0° miter and any bevel angle in the range of -47° to 47°.
- The bevel scale is sized and positioned for easy reading.
- The front-positioned bevel range selector knob provides three bevel range choices.
- There are factory set bevel stops at 0° and 45° on both the left and right. (See Adjustment section if adjustments are required.)
- There are also positive crown molding bevel stops at 33.9° on both the left and right.

Disengage this stop unless using the 33.9° angle (See Cutting Crown Molding for details.)

- A bevel cut can be made as either a chop cut or a slide cut depending on the width of the workpiece.
  - The front-positioned bevel lock lever locks the head assembly at the desired bevel angle.
1. Lift the bevel lock lever to unlock. Choose the desired bevel range using the bevel range selector knob. If in the 0° position and moving to the 0°-to-45° right range or 47°-to-47° range, it may be necessary to move the head assembly slightly to the left before the bevel range selector knob can be turned. Applying pressure to the cutting assembly may not allow you to move the bevel range selector Knob.



### Bevel Range 1 = 45° Left to 0°

This left side bevel range is the default setting

#### To operate in range 1:

1. Move the left sliding fence to clear saw assembly and re-lock (Figure 29).
2. Lift bevel lock lever to the table height with the left hand (Figure 30).
3. Grasp the front carry handle with the right hand and tilt saw head to angle desired.
4. Once in the desired bevel position, fully press down bevel lock lever below table height (Figure 29).

**45°-0°  
Left**

Without turning the saw on, practice the cutting action to make sure the fence clears the guards and adjust as necessary.

### Bevel Range 2 = 0° to 45° Right

#### To operate in range 2:

1. Move right sliding fence to clear saw assembly and re-lock (Figure 29).
2. Lift bevel lock lever to the table height with the left hand (Figure 30).
3. Grasp the front carry handle with the left hand and tilt saw head slightly to the left while rotating the spring-loaded bevel range selector knob with the right hand so the symbol "45-0°" lines up with the arrow on the table (Figure 31). The saw assembly may now be tilted to a right bevel angle up to the 45° stop.
4. Once in the desired bevel position press down bevel lock lever below table height.

**0-45°  
Right**

NOTE: When the saw assembly is tilted back left past 0°, the bevel control knob will snap back to the default bevel range 1. This is designed to regain the pre-set bevel stop at the important 0° position.

### Bevel Range 3 = 47° Left to 47° Right

This full capacity bevel range setting overrides all preset stops and allows for cutting at bevel angles beyond the normal 45° on either side.

#### To operate in range 3:

1. Move left and right-sliding fences to clear saw assembly and re-lock (Figure 29).
2. Lift bevel lock lever to the table height with the left hand (Figure 30).
3. Grasp the front carry handle with the left hand and tilt saw head slightly to the left while rotating the spring-loaded bevel range selector knob with the right hand so the symbol "47-47°" lines up with the arrow on the table (Figure 31). The saw as-

**47°-47°  
Max**

sembly may now be tilted to any angle from 47° left to 47°right.

4. Once in the desired bevel position, fully press down bevel lock lever below table height.

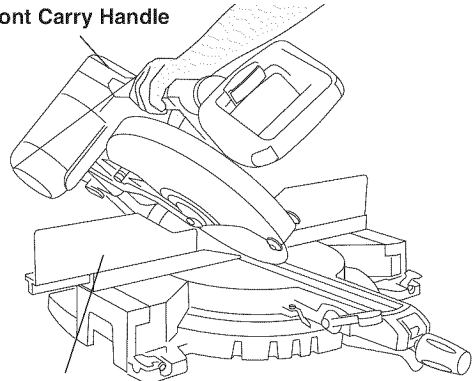
#### Follow these instructions for making your bevel cut:

5. Extend the base extensions and fence on the side on which the cut will be made. (See Sliding Fence and Base Extension on page 22).
6. Properly position workpiece. Make sure work piece is clamped firmly against the table and the fence.

Use clamping position that does not interfere with operation. Before switching on, lower head assembly to make sure clamp clears guard and head assembly.

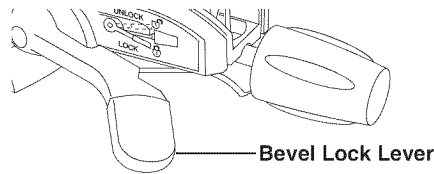
7. Follow the procedures for either a chop cut or slide cut (see page 23).
8. Wait until blade comes to a complete stop before returning head assembly to the raised position and/or removing workpiece.

#### Front Carry Handle



Sliding Fence

Figure 29.



Bevel Lock Lever

Figure 30.

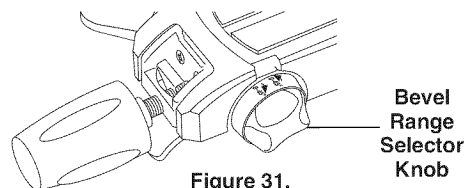


Figure 31.

Bevel  
Range  
Selector  
Knob

# Saw Operations

## Compound Cuts

- A “compound cut” is a cross-cut made with the blade both at a horizontal angle relative to the fence (at a miter angle) and tilted away from the vertical position (at a bevel angle).
- A compound cut can be made as either a chop cut or a slide cut depending on the width of the workpiece.
- Because it may take several tries to obtain the desired compound angle, perform test cuts on scrap material before making your cut.

### Follow these instructions for making your compound cut:

1. Extend the base extensions and fences on the side on which the cut will be made. (See Sliding Fences and Base Extensions on page 22.)
2. Properly position workpiece. Make sure workpiece is clamped firmly against the table or the fence.

**⚠ WARNING** Use clamping position that does not interfere with operation. Before switching on, lower head assembly to make sure clamp clears guard and head assembly.

3. Set miter and bevel angles according to the instructions on page 24 and 25 for miter and bevel cuts.
4. Follow the procedures for either chop cut or slide cut (see page 23).

5. Wait until blade comes to a complete stop before returning head assembly to the raised position and / or removing workpiece.

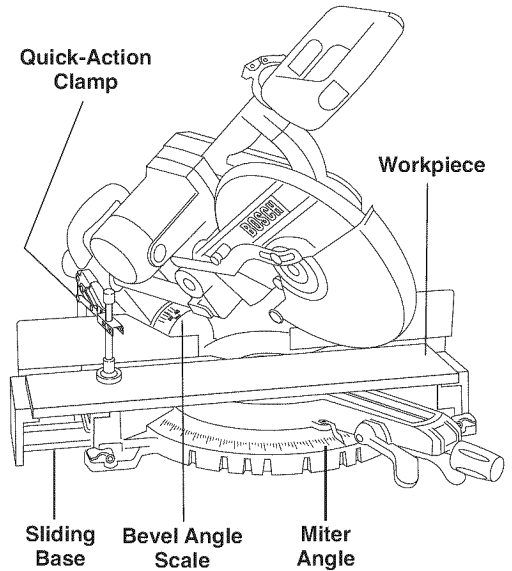


Figure 32. Compound Cut

# Saw Operations

## Cutting Grooves

- The depth stop adjustment is a feature used when cutting grooves in the workpiece.
  - The depth adjustment is used to limit blade depth to cut grooves.
  - A groove should be cut as a slide cut.
1. For major adjustments, press the depth stop release button and slide the depth stop bolt to the desired location (Figure 33).
  2. For minor adjustments, simply rotate the depth stop bolt to the desired location.
  3. Cut the two outside grooves.
  4. Use a wood chisel or make multiple passes by sliding the wood over to one side to remove the material between the outside grooves (Figure 33a).

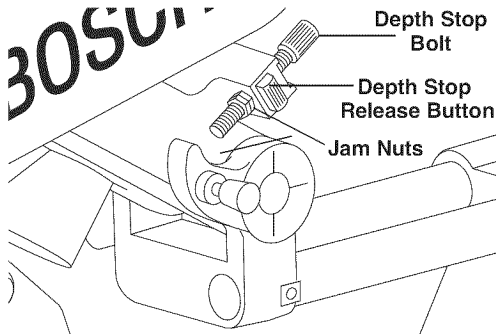


Figure 33. Cutting Grooves

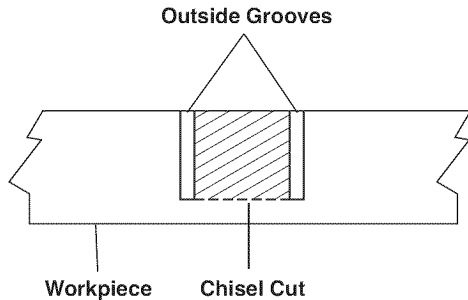


Figure 33a. Rough Cut Groove

## Length Stop (Model 5412 only)

The unit's flip up length stop can be used when making repetitive cuts of the same length.

To set the stop, simply unscrew the knob, flip the stop into position and tighten the knob (Figure 34).

1. To set the cut length, unlock the base extension clamping lever, reposition the base extension and length stop, and relock the levers.
2. The maximum length that can be cut using the length stop is approximately 20".

If desired, the length stop and knob can be moved to the left base extension. The optional MS1223 Length Stop Kit can also be installed on the left side to provide stops on either side of the saw.

To increase the length that can be cut using the length stop, replace the tool's base extension rods with the optional MS1222 Extra-Long Base Rod Kit, which increases the maximum length that can be cut using the length stop to approximately 30" on either side of the tool.

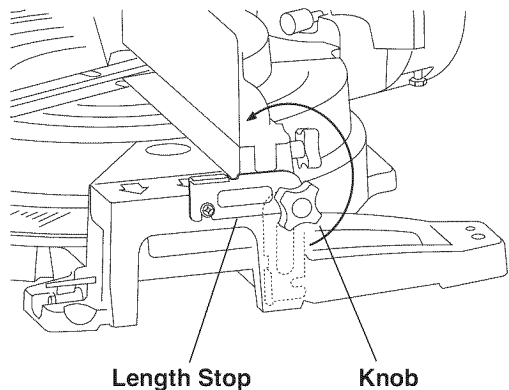
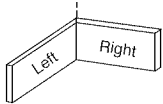
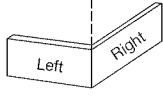


Figure 34. Length Stop

## Saw Operations

### Cutting Base Molding

- Base molding can be cut vertical against fence or flat on the table. The maximum size that can be vertical on the fence is 4-1/4", flat on table is 10-1/4".
- Follow the table for helpful hints on cutting base molding for corners that have 90° angles.
- Cutting base molding can be done either as a chop cut or a slide cut depending on the size of the workpiece.

BASE MOLDING CUTTING INSTRUCTIONS					
LOCATION OF MOLDING ON SAW		Molding in Vertical Position: Back of molding is against the fence		Molding in Horizontal Position: Back of molding is flat on the table	
Bevel Angle		Bevel = 0°		Bevel = 45°	
Molding Piece Being Cut		To left of corner	To right of corner	To left of corner	To right of corner
<b>Inside corner of wall</b> 	Miter Angle	Left at 45°	Right at 45°	0°	0°
	Position of molding on Saw	Bottom against table	Bottom against table	Top against fence	Bottom against fence
	Finished side	Keep left side of cut	Keep right side of cut	Keep left side of cut	Keep left side of cut
<b>Outside corner of wall</b> 	Miter Angle	Right at 45°	Left at 45°	0°	0°
	Position of molding on Saw	Bottom against table	Bottom against table	Bottom against fence	Top against fence
	Finished side	Keep left side of cut	Keep right side of cut	Keep right side of cut	Keep right side of cut

### Cutting Crown Molding

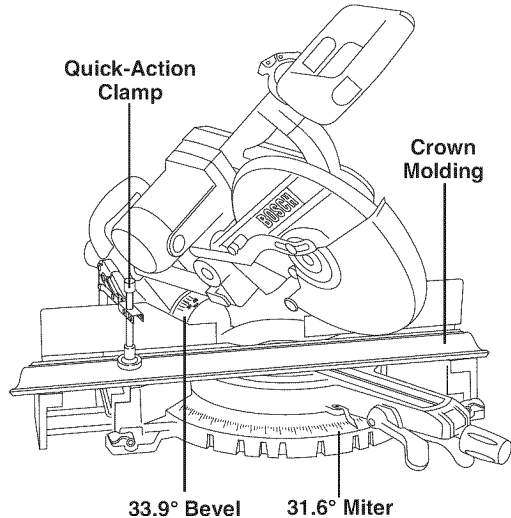
- Crown molding cuts must be positioned properly to fit exactly.
  - There are two ways to cut crown molding: flat on table or angled to table and fence.
  - Crown molding's "spring angle" is the angle between the back of the molding and the bottom flat surface that fits against the wall.
  - This miter saw has special miter detents at 31.6° and bevel detents at 33.9°. These detents allow you to easily position most crown moldings flat on the table and make precise cuts for 90° corners. (These detents are only for use with crown moldings that have a 38° "spring angle".) NOTE: These detents cannot be used with 45° crown molding.
  - See also pages 29 & 30 for miter and bevel angle charts for cutting crown moldings that have 38° and 45° spring angles (and the material is laid flat on the miter saw base). Each chart lists the exact miter and bevel settings required for a wide range of corner angles.
  - Even though these angles are standards, most rooms do not have angles of exactly 90°, therefore, you will need to fine tune your settings.
- The optional Bosch DAF220K MiterFinder Digital Anglefinder/Protractor measures spring angles and corner angles, then automatically determines the exact miter and bevel settings necessary to make each crown molding cut fit perfectly.

# Saw Operations

## Crown Molding Laying Flat on Table

- **Notes:** Position workpiece with its back flat on the saw table.
  - Always place top edge of molding against fence (Decorative edge is at the bottom of crown molding.)
  - "Spring angle" refers to angle between wall and crown molding.
  - Cutting crown molding flat on the table can be done either as a chop cut or a slide cut depending on the width of the workpiece.
1. For 90° corner, set the bevel and miter angles using Charts below. Tighten the miter lock knob and the bevel lock lever (Figure 35).
  2. Position molding on saw table. Clamp workpiece in place using the quick clamp.

**NOTE: ALWAYS TAKE A TEST CUT USING SCRAP TO CONFIRM CORRECT ANGLES.**



**Figure 35. Crown Molding Laying Flat**

- ▲ WARNING** Use clamping position that does not interfere with operation. Before switching on, lower head assembly to make sure clamp clears guard and head assembly.
3. Follow procedures for either chop cut or slide cut (see page 23).
  4. Wait until blade comes to a complete stop before returning head assembly to the raised position and/or removing workpiece.

## Miter and Bevel Settings for Standard Crown Molding Cuts

(When Crown Molding is Lying Flat on Table)

**Assumptions:** Molding is milled consistently. Corner is exactly 90°.

Molding Spring Angle is 38 degrees		
	Miter (Table) Setting	Bevel (Tilt) Setting
<b>Inside Corner</b>		
Left end (A) Use the left end of the cut	(31.6) Right	(33.9) Left
Right end (B) Use the right end of the cut	(31.6) Left	(33.9) Right
<b>Outside Corner</b>		
Left end (C) Use the left end of the cut	(31.6) Left	(33.9) Right
Right end (D) Use the right end of the cut	(31.6) Right	(33.9) Left

Molding Spring Angle is 45 degrees		
	Miter (Table) Setting	Bevel (Tilt) Setting
<b>Inside Corner</b>		
Left end (A) Use the left end of the cut	(35.3) Right	(30.0) Left
Right end (B) Use the right end of the cut	(35.3) Left	(30.0) Right
<b>Outside Corner</b>		
Left end (C) Use the left end of the cut	(35.3) Left	(30.0) Right
Right end (D) Use the right end of the cut	(35.3) Right	(30.0) Left

# Saw Operations

## Crown Molding Angled to Table and Fence

The preferred method for cutting crown molding with this saw is with the molding laying flat on the table.

- The advantage to cutting moldings angled against fence is that no bevel setting is required. Only the miter angle is adjusted.
- The maximum crown molding width that can be cut and angled to table and fence is 6".
- When cutting crown molding in this fashion it is recommended to purchase and use the optional MS 1221 Horizontal Clamp and Crown Molding Stop Accessory.

### Follow these instructions for cutting crown molding angled to table and fence.

1. Position the molding so the bottom (decorative part, which is installed against the wall) is against the fence.
2. For 90° corner, set the miter angle using Chart below. Tighten the miter lock knob (Figure 36).
3. Support crown molding against the fence (see "Body and Hand Position" on page 19.)
4. Follow the procedures for chop or slide cut (see page 23).
5. Wait until blade comes to a complete stop before

returning head assembly to the raised position and/or removing workpiece.

**NOTE: ALWAYS TAKE A TEST CUT USING SCRAP TO CONFIRM CORRECT ANGLES.**

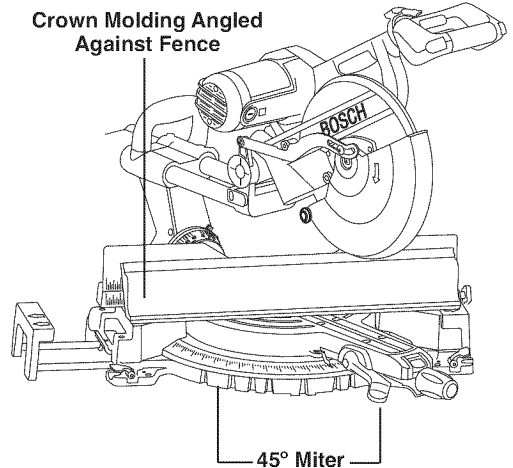


Figure 36. Crown Molding Angled to Table and Fence

## Miter and Bevel Settings for Standard Crown Molding Cuts (When Workpiece Angled Against Fence)

**Assumptions:** Molding is milled consistently.

- Corner is 90 degrees.
- For other corner angles, divide actual measurement by 2.

For any Crown Molding		
	Miter (Table) Setting	Bevel (Tilt) Setting
<b>Inside Corner</b>		
Left end (A) Use the right end of the cut	(45) Right	0 Left
Right end (B) Use the left end of the cut	(45) Left	0 Right
<b>Outside Corner</b>		
Left end (C) Use the right end of the cut	(45) Left	0 Right
Right end (D) Use the left end of the cut	(45) Right	0 Left

# Saw Operations

## Special Cuts

Cutting bowed material and round material are only two examples of special cuts.

### Cutting Bowed Material

**WARNING** If workpiece is bowed or warped, clamp it with the outside bowed face toward the fence. Always make certain that there is no gap between the workpiece, fence and table along the line of cut. Bent or warped workpieces can twist or rock and may cause binding on the spinning saw blade while cutting (Figure 37).

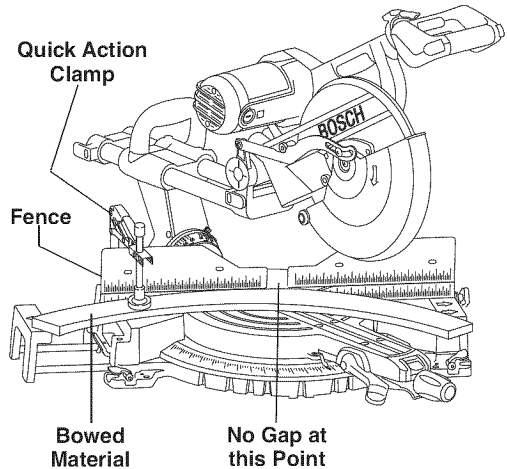


Figure 37. Bowed Material

### Cutting Round or Irregularly Shaped Material

**WARNING** For round material such as dowel rods or tubing, always use a clamp or a fixture designed to clamp the workpiece firmly against the fence and table. Rods have a tendency to roll while being cut, causing the blade to “bite” and pull the work with your hand into the blade (Figure 38).

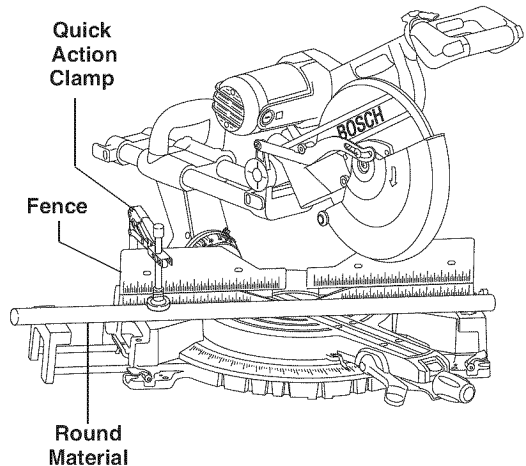


Figure 38. Round Material

**▲ WARNING** When making a compound cut on a molding lying flat on the table, narrow cut off pieces (2" or less in width) may be

propelled at high speed over the fence and beyond the back of the tool (see Figure 1). Use auxiliary fence as instructed and shown in figures below.

Figure 1

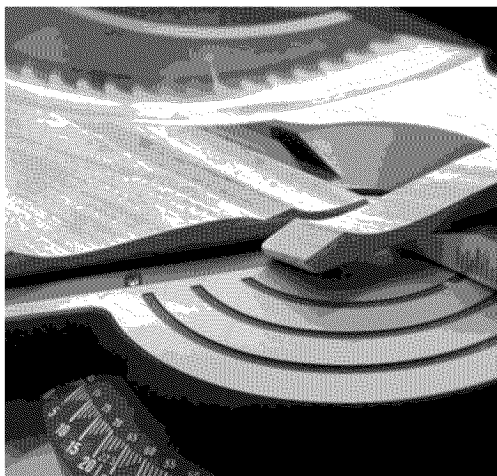
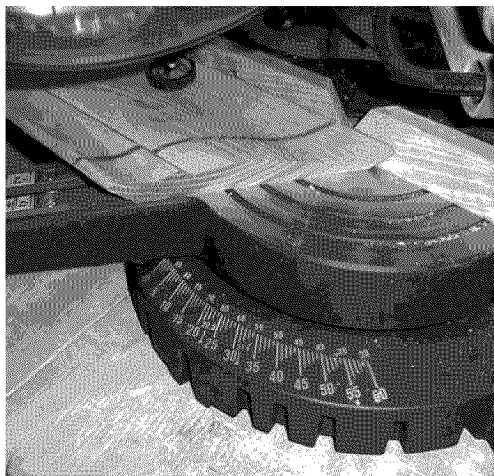


Figure 2



An auxiliary fence is used to add support to the cut off work piece such as large crown molding flat on the table (see page 29). It will reduce splintering and movement of the unsupported cut off piece of wood after the cut is made.

#### Making an Auxiliary Fence:

Required pieces:

Wood Board (described below)

4 - Flat Head Machine Screws – 1/4" diameter; 3 inches long

4 - 1/4" Flat Washers

4 – Nuts

1. **Cut** a nominal 1 x 2 inch wood board to a length of 25-3/16" long. Note: 1 x 2 inch nominal equals 3/4" x 1-1/2" actual. 3/4" plywood cut to size may be substituted.
2. **Drill** 4 holes through the board using a 5/16" diameter drill bit. Countersink the holes deep enough so that the flat head screws will rest below the front work surface – use a 1/2" diameter drill bit. See figure 3.

Remove the sliding fences from the tool – see page 15.

1. Place the flat head screws through the holes in the auxiliary fence, then the holes in the stationary fence on the tool.
2. Place the washers and nuts over the screw threads and against the stationary fence. Tighten nuts. See figure 4.

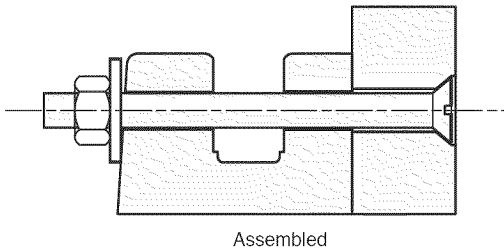
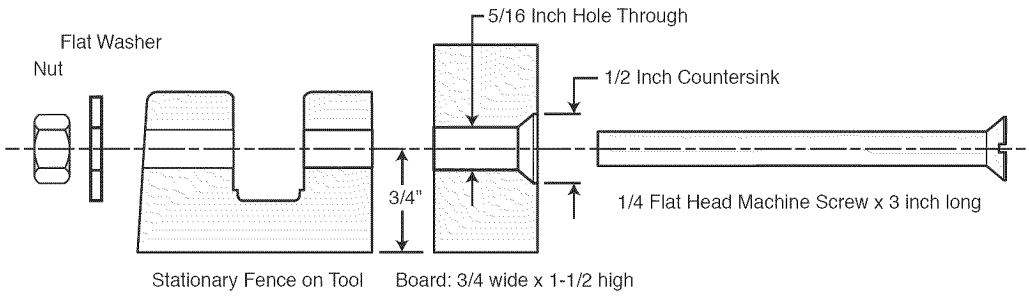
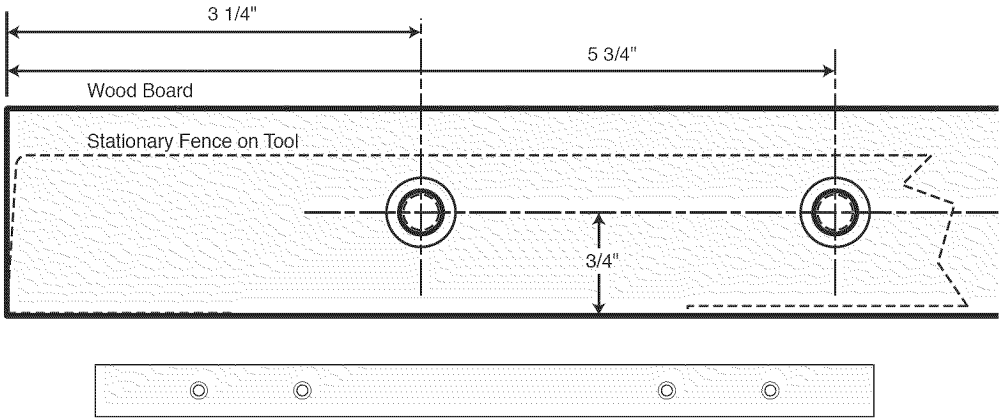
#### 1st Time Use of the Auxiliary Fence:

Note: The 1st time the auxiliary fence is used, it will be cut through by the saw blade – cutting through creates minimal clearance which reduces splintering on the work piece. Set the miter angle and the bevel angle required before making the first cut. Clamp the work piece, then make cut - example: compound cutting large crown molding flat on the table. See figure 2.



Figure 3

Drill 4 holes - 2 as shown from left edge (as shown) and 2 from right edge



## Maintenance and Lubrication

### Service

**⚠ WARNING** Preventive maintenance performed by unauthorized personnel may result in misplacing of internal wires and components which could cause serious hazard. We recommend that all tool service be performed by a Bosch Factory Service Center or Authorized Bosch Service Station.

### Carbon Brushes

The brushes and commutator in your tool have been engineered for many hours of dependable service. To maintain peak efficiency of the motor, we recommend every two to six months the brushes be examined. Only genuine Bosch replacement brushes specially designed for your tool should be used.

### Motor Brush Replacement

To Inspect or Replace Brushes:

1. Unplug the saw.

**⚠ WARNING** The brush cap is spring loaded by the brush assembly.

2. Remove the brush cap on the motor using a wide flat blade screwdriver.
3. Pull out the brush (Figure 39). Repeat for the opposite side.

**NOTE:** If installing the existing brush or brushes, make sure the brush goes in the same way it came out. Otherwise a break-in period will occur that will reduce motor performance and increase brush wear.

4. Inspect brushes for wear. On the wide flat side of brush is a wear limit line. If the brush contact face is at or beyond (no line visible) the limit replace brushes as a set.
5. Install new brush. The two (2) tabs on the brush terminal go in the same hole the carbon part fits into.
6. Tighten the brush cap but do not overtighten.

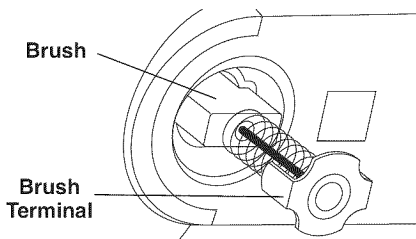


Figure 39. Motor Brush

### Drive Belt

The drive belt is a normal maintenance part and should be inspected periodically for wear. If the drive belt shows signs of drying out, cracking or tearing, it should be replaced. If the drive belt will not track properly or comes off the pulleys, it should be replaced.

1. Installing new drive belt:
2. Loosen the two screws and remove the drive belt cover.
3. Cut and remove the worn drive belt (Figure 40). Before installing the new drive belt, clean both pulleys thoroughly.
4. First place the new drive belt onto the drive pulley, then rotate clockwise while pushing the belt onto the driven pulley.
5. Reinstall the drive belt cover and securely tighten screws.

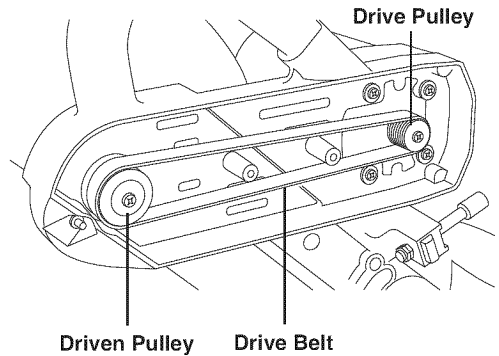


Figure 40. Belt Changes

### Cleaning

**⚠ WARNING** To avoid accidents, always disconnect the tool from the power supply before cleaning or performing any maintenance. The tool may be cleaned most effectively with compressed air. Always wear safety goggles when cleaning tools with compressed air.

Ventilation openings and switch levers must be kept clean and free of foreign matter. Do not attempt to clean by inserting pointed objects through openings.

Check regularly to make sure the lower guard and all moving parts are working properly.

Remove accumulated sawdust from working parts by blowing with compressed air or wiping with a damp cloth.

**CAUTION** Certain cleaning agents and solvents damage plastic parts. Some of these are: gasoline, carbon tetrachloride, chlorinated cleaning solvents, ammonia and household detergents that contain ammonia.

**Care of Blades**

Blades become dull even from cutting regular lumber. If you find yourself forcing the saw forward to cut instead of just guiding it through the cut, chances are the blade is dull or coated with wood pitch.

When cleaning gum and wood pitch from blade, unplug the saw and remove the blade. Remember, blades are designed to cut, so handle carefully. Wipe the blade with kerosene or similar solvent to remove the gum and pitch. Unless you are experienced in sharpening blades, we recommend you do not try.

**Tool Lubrication**

Your Bosch tool has been properly lubricated and is ready to use. It is recommended that tools with gears be regreased with a special gear lubricant at every brush change.

Periodically lubricate moving parts with a silicone, or light oil spray. Do not use grease because it tends to attract and hold sawdust.

**Bearings**

All bearings in this tools are lubricated with a sufficient amount of high grade lubricant for the life of the unit under normal operating conditions. No further lubrication is required.

**Troubleshooting**

**Troubleshooting Guide - Electrical**

PROBLEM	CAUSE	CORRECTIVE ACTION
Brake does not stop blade in about 5 seconds	1. Brushes not seated or lightly sticking or worn. 2. Motor overheated from use of dull blade/too heavy of a blade, not recommended accessory or rapid on/off cycling. 3. Blade bolt loose. 4. Other	- Inspect/clean or replace brushes (see Maintenance Section). - Use sharp blade. - Use a recommended blade. - Let saw cool down. - Tighten blade bolt. - Authorized service
Motor does not start.	1. Check that unit is plugged in. 2. Power source fuse or time delay fuse. 3. Brushes worn. 4. Handle not in usable position. 5. Other.	- Plug unit in. Use different outlet. - 15-Amp time delay fuse or circuit breaker. - See Brush Replacement in the Maintenance and Lubrication section. - Lock handle into one of the four usable positions. - Authorized service.
Flash of light from motor end-cap when switch is released.	1. Normal - brake working properly.	

# Troubleshooting

## Troubleshooting Guide - General

PROBLEM	CAUSE	CORRECTIVE ACTION
Head assembly does not bevel to desired position.	<ol style="list-style-type: none"> <li>1. Bevel 33.9° stop engaged.</li> <li>2. Bevel detent override knob setting limits movement.</li> </ol>	<ul style="list-style-type: none"> <li>- Pull out 33.9° stop and rotate it 90°.</li> <li>- Change bevel detent override setting.</li> </ul>
Blade hits table.	<ol style="list-style-type: none"> <li>1. Misalignment</li> </ol>	<ul style="list-style-type: none"> <li>- Authorized service.</li> </ul>
Angle of cut not accurate.	<ol style="list-style-type: none"> <li>1. Misalignment</li> </ol>	<ul style="list-style-type: none"> <li>- See Adjustments section.</li> </ul>
Cannot move miter adjustment.	<ol style="list-style-type: none"> <li>1. Lock knob tightened/detent engaged.</li> <li>2. Sawdust under table.</li> <li>3. Blade interferes with fence.</li> </ol>	<ul style="list-style-type: none"> <li>- Loosen lock knob/move out of detent.</li> <li>- Vacuum or blow out dust. Wear eye protection.</li> <li>- Authorized service.</li> </ul>
Head assembly will not fully rise or blade guard will not fully close.	<ol style="list-style-type: none"> <li>1. Part failure.</li> <li>2. Pivot spring or guard spring not replaced properly after service.</li> <li>3. Cover plate not tightened after replacing blade.</li> <li>4. Sawdust accumulation.</li> </ol>	<ul style="list-style-type: none"> <li>- Authorized service.</li> <li>- Authorized service.</li> <li>- See Blade Installation page 11.</li> <li>- Clean head assembly.</li> </ul>
Blade binds, jams, burns wood. Rough cuts.	<ol style="list-style-type: none"> <li>1. Improper operation.</li> <li>2. Dull blade.</li> <li>3. Improper blade.</li> <li>4. Bent blade.</li> </ol>	<ul style="list-style-type: none"> <li>- See Basic Saw Operation section.</li> <li>- Replace or sharpen blade.</li> <li>- Replace with 12" diameter blade designed for the material being cut.</li> <li>- Replace blade.</li> </ul>
Tool vibrates or shakes.	<ol style="list-style-type: none"> <li>1. Saw blade not round.</li> <li>2. Saw blade damaged.</li> <li>3. Saw blade loose.</li> <li>4. Other.</li> </ol>	<ul style="list-style-type: none"> <li>- Replace blade.</li> <li>- Replace blade.</li> <li>- Tighten arbor screw.</li> <li>- Authorized service.</li> </ul>

## Troubleshooting

### Troubleshooting Guide - General

PROBLEM	CAUSE	CORRECTIVE ACTION
Blade does not completely cut workpiece.	1. Depth stop screw adjusted for groove cutting.	- See Depth Stop Adjustment in the Adjustment section.
Head assembly does not slide freely when attempting a slide cut.  Head assembly slides forward and back when making a chop cut.	1. Slide rail lock knob tightened.  2. Slide rail lock knob not tightened.	- Loosen slide rail lock knob.  - Push head assembly completely against stop. Tighten slide rail lock knob.
Bevel setting does not hold position.	1. Bevel lock lever assembly needs to be tightened.	- Tighten bevel lock lever as shown on page 13.

## Accessories

**DAF220K MiterFinder™ Digital Anglefinder/Compound Cut Calculator/Protractor/Level** – Gives you the information needed to position cuts so that they fit together precisely even if the room is out of square.

**MS1221 Horizontal Quick Clamp Crown Stop Bracket** – Clamps workpiece against fence. Can also be used as a crown molding stop. Mounts to left or right side of the table.

**MS1222 Extra-Long Base Rod Kit** – Consists of replacement steel rods that extend the total width of base to 5 ft. (60").

**MS1223 Length Stop Kit.**

**MS1224 Replacement Kerf Inserts**

**MS1225 Replacement Dust Bag**

**MS1226 Replacement (Vertical) Quick Clamp**

**T3B TracRac™ Portable Stand with Wheels**

**T4B Gravity-Rise Wheeled Miter Saw Stand**

# Seguridad



## ADVERTENCIA

“LEA TODAS LAS INSTRUCCIONES”. El incumplimiento de las NORMAS DE SEGURIDAD identificadas por el símbolo del PUNTO NEGRO (•) que se indican A CONTINUACION y otras precauciones de seguridad puede dar lugar a lesiones personales graves.

## Normas generales de seguridad para herramientas para tablero de banco

### Area de trabajo

- **Mantenga limpia y bien iluminada el área de trabajo.** Los bancos desordenados y las áreas oscuras invitan a que se produzcan accidentes.
- **No utilice herramientas mecánicas en atmósferas explosivas, tales como las existentes en presencia de líquidos, gases o polvos inflamables.** Las herramientas mecánicas generan chispas y éstas pueden dar lugar a la ignición del polvo o los vapores.
- **Mantenga alejadas a las personas que se encuentren presentes, a los niños y a los visitantes mientras esté utilizando una herramienta mecánica.** Las distracciones pueden hacerle perder el control.
- **Guarde las herramientas que no esté usando fuera del alcance de los niños y otras personas no capacitadas.** Las herramientas son peligrosas en las manos de los usuarios no capacitados.
- **No deje desatendida la herramienta en marcha. Apáguela.** No deje la herramienta hasta que se haya detenido por completo.
- **HAGA EL TALLER A PRUEBA DE NIÑOS** con candados, interruptores maestros o quitando las llaves de arranque.

### Seguridad eléctrica

- **Antes de enchufar la herramienta, asegúrese de que la tensión del tomacorriente es compatible con la tensión especificada en la placa del fabricante dentro de un margen del 10%.** Una tensión del tomacorriente incompatible con la que se especifica en la placa del fabricante puede dar como resultado peligros graves y daños a la herramienta.
- **Las herramientas con aislamiento doble están equipadas con un enchufe polarizado (un terminal es más ancho que el otro).** Este enchufe entrará en un tomacorriente polarizado solamente de una manera. Si el enchufe no entra por completo en el tomacorriente, déle la vuelta. Si sigue sin entrar, póngase en contacto con un electricista competente para instalar un tomacorriente polarizado. No haga ningún tipo de cambio en el enchufe. El aislamiento doble elimina la necesidad de un cordón de energía de tres cables conectado a tierra y de una fuente de energía conectada a tierra.
- **Evite el contacto del cuerpo con las superficies conectadas a tierra, tales como tuberías, radiadores, estufas de cocina y refrigeradores.** Hay mayor riesgo de que se produzcan sacudidas eléctricas si su cuerpo está conectado a tierra.
- **No esponga las herramientas mecánicas a la lluvia ni a situaciones húmedas.** La entrada de agua en una herra-

mentaria mecánica aumentará el riesgo de que se produzcan sacudidas eléctricas.

- **No abuse del cordón. Nunca use el cordón para llevar las herramientas ni tire de él para desconectarlo del tomacorriente. Mantenga el cordón alejado del calor, el aceite, los bordes afilados o las piezas móviles. Cambie los cordones dañados inmediatamente.** Los cordones dañados aumentan el riesgo de que se produzcan sacudidas eléctricas.
- **Cuando utilice una herramienta mecánica a la intemperie, use un cordón de extensión para intemperie marcado “W-A” o “W”.** Estos cordones tienen capacidad nominal para uso a la intemperie y reducen el riesgo de que se produzcan sacudidas eléctricas.

### Seguridad personal

- **Manténgase alerta, fíjese en lo que está haciendo y use el sentido común al utilizar una herramienta mecánica.** Un momento de descuido o el consumo de drogas, alcohol o medicamentos mientras se utilizan herramientas mecánicas puede ser peligroso.
- **Vístase adecuadamente. No se ponga ropa holgada ni joyas. Sujétese el pelo largo. Mantenga el pelo, la ropa y los guantes alejados de las piezas móviles.** La ropa holgada, las joyas o el pelo largo pueden quedar atrapados en las piezas móviles. Súbase las mangas largas por encima de los codos. Se recomiendan guantes de caucho y calzado antideslizante cuando se trabaja a la intemperie.
- **Evite el arranque accidental. Asegúrese de que el interruptor esté en la posición “OFF” (apagado) antes de enchufar la herramienta.** El llevar las herramientas con el dedo en el interruptor o el enchufar las herramientas que tienen el interruptor en la posición “ON” (encendido) invita a que se produzcan accidentes.
- **Quite las llaves de ajuste o las llaves de tuerca antes de ENCENDER la herramienta.** Una llave de tuerca o de ajuste que se deje puesta en una pieza giratoria de la herramienta saldrá despedida.
- **No intente alcanzar demasiado lejos. Mantenga un apoyo de los pies y un equilibrio adecuados en todo momento.** El apoyo de los pies y el equilibrio adecuados permiten un mejor control de la herramienta en situaciones inesperadas.
- **No se suba en la herramienta ni en su base.** Se pueden producir lesiones graves si la herramienta vuelca o si se hace contacto con la herramienta de corte accidentalmente. No guarde materiales sobre ni cerca de la herramienta de tal modo que sea necesario subirse a la herramienta o a su base para alcanzarlos.

“CONSERVE ESTAS INSTRUCCIONES”

- **Utilice equipo de seguridad. Use siempre gafas de seguridad.** Se debe utilizar una máscara antipolvo, calzado de seguridad, casco o protección en los oídos según lo requieran las condiciones. Los lentes de uso diario sólo tienen lentes resistentes a los golpes. NO son gafas de seguridad.

#### **Utilización y cuidado de las herramientas**

- **Utilice abrazaderas u otro modo práctico de fijar y soportar la pieza de trabajo en una plataforma estable.** La sujeción de la pieza de trabajo con la mano o contra el cuerpo resulta inestable. Permite que la pieza de trabajo se desplace y cause atasco de la herramienta y pérdida de control.
- **No fuerce la herramienta. Use la herramienta correcta para la aplicación que desea.** La herramienta correcta hará el trabajo mejor y con más seguridad a la capacidad nominal para la que está diseñada. No utilice la herramienta para propósitos para los que no está diseñada. Por ejemplo, no use la sierra para cortar ingletes para trocear metales.
- **No utilice la herramienta si el interruptor no la ENCIENDE o APAGA.** Cualquier herramienta que no se pueda controlar con el interruptor es peligrosa.
- **Desconecte el enchufe de la fuente de energía antes de hacer cualquier ajuste o de cambiar accesorios.** Estas medidas de seguridad preventivas reducen el riesgo de arrancar la herramienta accidentalmente.
- **Mantenga las herramientas de corte afiladas y limpias.** Es menos probable que las herramientas mantenidas adecuadamente, con bordes de corte afilados, se atasquen, y son más fáciles de controlar. Al montar hojas de sierra, asegúrese de que la flecha de la hoja coincida con el sentido de la flecha marcada en la herramienta y de que los dientes también estén orientados en el mismo sentido.
- **Inspeccione los protectores antes de usar una herramienta. Mantenga los protectores en su sitio. Compruebe si las piezas móviles se atascan o si existe cualquier otra situación que pueda afectar el funcionamiento normal o los dispositivos de seguridad de la herramienta. Si la herramienta se daña, haga que realicen servicio de ajustes y reparaciones antes de usarla.** Muchos accidentes son causados por herramientas mal mantenidas.
- **No altere ni haga uso incorrecto de la herramienta.** Cualquier alteración o modificación constituye un uso incorrecto y puede dar lugar a lesiones personales graves.
- **La utilización de cualquier otro accesorio no especificado en este manual puede constituir un peligro.** Los accesorios que pueden ser adecuados para un tipo de herramienta pueden resultar peligrosos cuando se utilizan en una herramienta inadecuada.

#### **Servicio**

- **El servicio de ajustes y reparaciones de una herramienta debe ser realizado únicamente por personal de reparaciones competente.** El servicio o mantenimiento realizado por personal no competente puede tener como resultado una colocación incorrecta de los cables y componentes internos que podría causar un peligro grave.

- **Al realizar servicio de ajustes y reparaciones de una herramienta, utilice únicamente piezas de repuesto idénticas. Siga las instrucciones que figuran en la sección Mantenimiento de este manual.** El uso de piezas no autorizadas o el incumplimiento de las instrucciones de Mantenimiento puede constituir un peligro.

#### **Normas de seguridad para sierras para cortar ingletes**

- **Use abrazaderas para soportar la pieza de trabajo siempre que sea posible. Si soporta la pieza de trabajo con la mano, siempre debe mantener la mano fuera del área de “No tocar con la mano” según se marca con un símbolo en la base. No use esta sierra para cortar piezas que sean demasiado pequeñas para fijarlas firmemente con abrazaderas.** Si coloca la mano dentro de la región de “No tocar con la mano”, ésta puede resbalar o experimentar tracción hacia la hoja.
- **No ponga ninguna mano detrás de la hoja de sierra tras el tope-guía para sujetar o soportar la pieza de trabajo, quitar desechos de madera ni por cualquier otra razón.** Puede que la proximidad de la mano a la hoja de sierra que gira no sea obvia, y sin embargo usted puede resultar lesionado gravemente.
- **Nunca atraviese la mano sobre la línea de corte prevista.** Es muy peligroso soportar la pieza de trabajo “con las manos cruzadas”, es decir, sujetando el lado izquierdo de la pieza de trabajo con la mano derecha.
- **Desconecte siempre el cordón de energía de la fuente de energía antes de hacer cualquier ajuste o colocar cualquier accesorio.** Usted podría arrancar la sierra involuntariamente, teniendo como resultado lesiones personales graves.
- **Las sierras para cortar ingletes están diseñadas principalmente para cortar madera o productos parecidos a la madera y no se pueden usar con ruedas de corte abrasivas para cortar material ferroso tal como barras, varillas, espigas, etc. Sin embargo, si corta materiales como aluminio u otros materiales no ferrosos, utilice únicamente hojas de sierra recomendadas específicamente para el corte de metales no ferrosos.** El corte de materiales ferrosos genera un exceso de chispas, dañará el protector inferior y sobrecargará el motor.  
(NOTA: Robert Bosch tool corporation no ofrece hojas de 12" para cortar metales.)
- **Inspeccione la pieza de trabajo antes de cortar. Si la pieza de trabajo está arqueada o combada, fijela con el lado arqueado exterior orientado hacia el tope-guía. Asegúrese siempre de que no haya espacio libre entre la pieza de trabajo, el tope-guía y la mesa a lo largo de la línea de corte.** Las piezas de trabajo arqueadas o combadas pueden torcerse u oscilar y pueden causar atasco en la hoja de sierra que gira durante el corte. Además, asegúrese de que no haya clavos ni objetos extraños en la pieza de trabajo.
- **No use la sierra hasta que se hayan retirado de la mesa todas las herramientas, desechos de madera, etc., excepto la pieza de trabajo.** Los desperdicios pequeños o las

**“CONSERVE ESTAS INSTRUCCIONES”**

piezas sueltas de madera u otros objetos que hagan contacto con la hoja que gira pueden salir despedidos a alta velocidad hacia el operador.

- **No haga avanzar la pieza de trabajo hacia la hoja ni corte a pulso de ningún modo. La pieza de trabajo debe estar estacionaria y fijada con abrazaderas o sujeta con la mano.** Se debe hacer avanzar la sierra a través de la pieza de trabajo de modo suave y a una velocidad que no sobrecargue el motor de la sierra.
- **Corte únicamente una pieza de trabajo por vez.** No se pueden fijar con abrazaderas ni sujetar de modo adecuado múltiples piezas de trabajo y éstas pueden atascarse en la hoja o desplazarse durante el corte.
- **Asegúrese de que la sierra para cortar ingletes esté montada o colocada sobre una superficie de trabajo nivelada y firme antes de utilizarla.** Una superficie de trabajo nivelada y firme reduce el riesgo de que la sierra para cortar ingletes se vuelva inestable.
- **Planifique el trabajo que va a hacer. Proporcione accesorios de soporte adecuados, tales como mesas, caballetes de aserrar, extensiones de mesa, etc., para piezas de trabajo más anchas o más largas que el tablero de la mesa (vea la página 56).** Las piezas de trabajo más largas o más anchas que la mesa de la sierra para cortar ingletes se pueden inclinar si no se soportan adecuadamente. Si la pieza cortada o la pieza de trabajo se inclina, puede hacer subir el protector inferior o salir despedida por acción de la hoja que gira.
- **No use a otra persona como sustituto de una extensión de mesa o como soporte adicional.** Un soporte inestable de la pieza de trabajo puede hacer que la hoja se atasque o que la pieza de trabajo se desplace durante la operación de corte, tirando de usted y del ayudante hacia la hoja que gira.
- **La pieza cortada no debe estar bloqueada contra ningún otro medio ni presionada por ningún otro medio contra la hoja de sierra que gira.** Si se confina, es decir, si se usan topes de longitud, podría quedar acuñada contra la hoja y salir despedida violentamente.
- **Use siempre una abrazadera o un dispositivo de sujeción diseñado para soportar adecuadamente material redondo tal como varillas con espiga o tubos.** Las varillas tienen tendencia a rodar mientras son cortadas, haciendo que la hoja “muerda” la pieza de trabajo y tire de ésta, junto con la mano del operador, hacia la hoja.
- **Al cortar piezas de trabajo que tienen forma irregular, planifique su trabajo de modo que la pieza de trabajo no resbale y pellizque la hoja y le sea arrancada de la mano.** Por ejemplo, una pieza de moldura debe estar colocada en posición horizontal o estar sujeta por un dispositivo de sujeción o un posicionador que no permita que la pieza se tuerza, oscile o resbale mientras esté siendo cortada.
- **Deje que la hoja alcance toda su velocidad antes de hacer contacto con la pieza de trabajo.** Esto ayudará a evitar que las piezas de trabajo salgan despedidas.
- **Si la pieza de trabajo o la hoja se atasca o engancha, APAGUE la sierra para cortar ingletes soltando el interruptor. Espere a que todas las piezas móviles se detengan y desenchufe la sierra para cortar ingletes. Luego, suelte el material atascado.** El aserrado continuo de una pieza de trabajo atascada podría causar pérdida de control o daños a la sierra para cortar ingletes compuestos.
- **La acción de frenado de la sierra hace que el cabezal de la sierra dé sacudidas hacia abajo. Este preparado para esta reacción** al hacer un corte incompleto o al soltar el interruptor antes de que el cabezal esté en la posición completamente hacia abajo.
- **Después de terminar el corte, suelte el interruptor, sujete el brazo de la sierra hacia abajo y espere a que la hoja se detenga antes de retirar la pieza de trabajo o la pieza cortada. Si la hoja no se detiene al cabo de cinco (5) segundos, desenchufe la sierra y siga las instrucciones que figuran en la sección Localización y reparación de averías. ¡ES PELIGROSO PONER LA MANO BAJO UNA HOJA QUE AUN GIRA POR INERCIA!**
- **Hay instrucciones de seguridad adicionales para operaciones específicas de la sierra en la sección de operaciones. Lea el resto del manual para informarse sobre la utilización con seguridad.**
- **Para el corte con acción deslizante, TIRE primero del ensamblaje del cabezal de la sierra alejándolo del tope-guía hasta que la hoja no toque la pieza de trabajo o hasta su extensión máxima si la hoja no puede dejar de tocar la pieza de trabajo. Asegúrese de que la abrazadera no interfiera ni con el protector ni con el ensamblaje del cabezal. Segundo, ENCIENDA la sierra y bájela hasta la mesa. Luego, EMPUJE la sierra a través de la pieza de trabajo. Suelte el interruptor y espere a que la hoja se detenga por completo antes de subir el ensamblaje del cabezal y retirar la pieza de trabajo. Nunca “corte tirando de la sierra”, ya que la hoja puede subir a la superficie de la pieza de trabajo y causar RETROCESO.**
- **Para el corte con acción de troceado, deslice el ensamblaje del cabezal hacia la parte posterior tanto como se pueda y apriete el pomo de fijación del carro. Luego, ENCIENDA la sierra y baje el ensamblaje del cabezal para hacer el corte. Suelte el interruptor y espere a que la hoja se detenga por completo antes de subir el ensamblaje del cabezal y retirar la pieza de trabajo. El no apretar el pomo de fijación del carro puede hacer que la hoja suba repentinamente a la superficie de la pieza de trabajo y llegue hasta usted.**
- **No permita que la familiarización obtenida por el uso frecuente de la sierra para cortar ingletes se vuelva algo habitual. Recuerde siempre que un descuido de una fracción de segundo es suficiente para causar una lesión grave.**

**“CONSERVE ESTAS INSTRUCCIONES”**



## Seguridad

### ⚠ ADVERTENCIA

"LEA TODAS LAS INSTRUCCIONES". El incumplimiento de las NORMAS DE SEGURIDAD identificadas por el símbolo del PUNTO NEGRO (●) que se indican A CONTINUACION y otras precauciones de seguridad puede dar lugar a lesiones personales graves.

• ¡PIENSE EN LA SEGURIDAD! LA SEGURIDAD ES UNA COMBINACION DE SENTIDO COMUN Y CONOCIMIENTO DE LAS INSTRUCCIONES DE SEGURIDAD Y DE FUNCIONAMIENTO POR PARTE DEL OPERADOR Y DE QUE ESTE PERMANEZCA ALERTA EN TODO MOMENTO MIENTRAS SE ESTA UTILIZANDO LA SIERRA PARA CORTAR INGLETES.

### ⚠ ADVERTENCIA

**LAS ADVERTENCIAS QUE SE MUESTRAN A CONTINUACION SE PUEDEN ENCONTRAR EN LA HERRAMIENTA. ESTAS ADVERTENCIAS SON SOLAMENTE UNA FORMA CONDENSADA DE LAS NORMAS Y PRECAUCIONES DE SEGURIDAD MAS DETALLADAS QUE APARECEN EN EL MANUAL DEL USUARIO. SIRVEN COMO RECORDATORIO DE TODAS LAS NORMAS DE SEGURIDAD NECESARIAS PARA LA UTILIZACION CON SEGURIDAD DE ESTA SIERRA PARA CORTAR INGLETES.**

### ⚠ ADVERTENCIA

**Cierto polvo generado por el lijado, aserrado, amolado y taladrado mecánicos, y por otras actividades de construcción, contiene agentes químicos que se sabe que causan cáncer, defectos de nacimiento u otros daños sobre la reproducción. Algunos ejemplos de estos agentes químicos son:**

- Plomo de pinturas a base de plomo,
- Sílice cristalina de ladrillos y cemento y otros productos de mampostería, y
- Arsénico y cromo de madera tratada químicamente.

Su riesgo por causa de estas exposiciones varía, dependiendo de con cuánta frecuencia realice este tipo de trabajo. Para reducir su exposición a estos agentes químicos: trabaje en un área bien ventilada y trabaje con equipo de seguridad aprobado, como por ejemplo máscaras antipolvo que estén diseñadas especialmente para impedir mediante filtración el paso de partículas microscópicas.



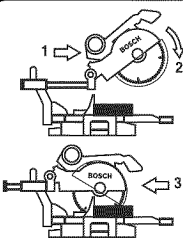
**ZONA DESIGNADA DE PELIGRO. EVITE SITUAR LAS MANOS, LOS DEDOS O LOS BRAZOS EN EL AREA DESIGNADA POR ESTE SIMBOLO.**

### ⚠ ADVERTENCIA

Para reducir el riesgo de lesiones, el usuario debe leer y entender el manual de instrucciones.

- ▲ Use protección de los ojos y antipolvo. ▲ Use una hoja de sierra con capacidad nominal de 3800/min o mayor. ▲ No use la sierra si el sistema del protector no funciona correctamente. Si el protector no funciona con suavidad, haga que le den servicio de ajustes y reparaciones. Después de cambiar la hoja, regrese el protector a la posición de funcionamiento. ▲ Mantenga las manos a una distancia segura de la hoja de sierra. Manténgalas siempre fuera de la zona de "manos no". ▲ Fija o sujete con abrazaderas la pieza de trabajo contra la base y el tope-guía. No realice nunca operaciones a pulso. ▲ No corte transversalmente a las manos. Nunca ponga las manos o los brazos en la trayectoria proyectada de la hoja de sierra. Con el motor en la posición de apagado, haga una pasada de prueba para comprobar el alcance de la hoja. ▲ Después de apagar la sierra, manténgala en la posición hacia abajo y espere a que la hoja se detenga antes de retirar las piezas cortadas o cambiar los ajustes. ▲ Para evitar las descargas eléctricas, no exponga la herramienta a la lluvia ni la utilice en lugares húmedos. ▲ Cuando haga servicio de ajustes y reparaciones de la herramienta, utilice únicamente piezas de repuesto idénticas.

▲ Para realizar cortes en bisel o compuestos, ajuste el tope-guía deslizando de manera que no esté en la trayectoria de la hoja y no interfiera con el sistema del protector.



### ⚠ PARA REALIZAR UN CORTE CON ACCIÓN DESLIZANTE, SIGA SIEMPRE ESTAS INSTRUCCIONES:

1. TIRE del carro de la sierra alejándolo del tope-guía, hasta que la hoja pase la pieza de trabajo o hasta su máxima extensión si la hoja no puede pasar la pieza de trabajo.
2. Encienda la sierra y bájeala hasta la mesa.
3. EMPUJE la sierra a través de la pieza de trabajo. No corte nunca corte "tirando de la sierra", ya que la hoja podría preparar por la pieza de trabajo, causando RETROCESO.

### ⚠ POUR UNE COUPE LE LONG D'UN GUIDE, TOUJOURS SUIVRE CES INSTRUCTIONS:

1. TIRER le cadre de la scie hors du guide, jusqu'à ce que la lame sorte de la pièce de travail ou à son extension maximum si celle-ci ne peut sortir de la pièce.
2. Mettre la scie sur « MARCHÉ » et l'abaisser vers la table.
3. POUSSER la scie dans la pièce à couper. Ne jamais couper en tirant, la lame pourrait monter sur la pièce de travail et provoquer un REBOND.


**"CONSERVE ESTAS INSTRUCCIONES"**

# Seguridad

## ⚠️ ADVERTENCIA

“LEA TODAS LAS INSTRUCCIONES”. El incumplimiento de las NORMAS DE SEGURIDAD identificadas por el símbolo del PUNTO NEGRO (•) que se indican A CONTINUACION y otras precauciones de seguridad puede dar lugar a lesiones personales graves.

### Herramientas con aislamiento doble

El aislamiento doble  es un concepto de diseño utilizado en las herramientas mecánicas eléctricas que elimina la necesidad de un cordón de energía de tres cables conectado a tierra y de un sistema de fuente de energía conectado a tierra. Es un sistema reconocido y aprobado por Underwriter's Laboratories, la CSA y las autoridades federales de la OSHA.

- El servicio de ajustes y reparaciones de una herramienta con aislamiento doble requiere cuidado y conocimiento del sistema y deberá ser realizado únicamente por un técnico de servicio competente.

- DURANTE EL SERVICIO DE AJUSTES Y REPARACIONES, UTILICE ÚNICAMENTE PIEZAS DE REPUESTO IDENTICAS.

- ENCHUFES POLARIZADOS. Para reducir el riesgo de sacudidas eléctricas, su herramienta está equipada con un enchufe polarizado (una terminal es más ancha que la otra), este enchufe entrará en un tomacorriente polarizado solamente de una manera. Si el enchufe no entra por completo en el tomacorriente, déle la vuelta. Si sigue sin entrar, póngase en contacto con un electricista competente para instalar el tomacorriente adecuado. Para reducir el riesgo de sacudidas eléctricas, no haga ningún tipo de cambio en el enchufe.

### Cordones de extensión

- Sustituya los cordones dañados inmediatamente. La utilización de cordones dañados puede causar sacudidas, quemar o electrocutar.

- Si se necesita un cordón de extensión, se debe utilizar un cordón con conductores de tamaño adecuado para prevenir caídas de tensión excesivas, pérdidas de potencia o sobrecalentamiento. La tabla muestra el tamaño correcto a utilizar, según la longitud del cordón y la capacidad nominal en amperios indicada en la placa del fabricante de la herramienta. En caso de duda, utilice la medida más gruesa siguiente. Utilice siempre cordones de extensión catalogados por U.L. y la CSA.

### TAMAÑOS RECOMENDADOS DE CORDONES DE EXTENSION

Capacidad nominal en amperios de la herramienta	Tamaño del cordón en A.W.G.				Tamaños del cable en mm <sup>2</sup>			
	Longitud del cordón en pies				Longitud del cordón en metros			
	25	50	100	150	15	30	60	120
3-6	18	16	16	14	0,75	0,75	1,5	2,5
6-8	18	16	14	12	0,75	1,0	2,5	4,0
8-10	18	16	14	12	0,75	1,0	2,5	4,0
10-12	16	16	14	12	1,0	2,5	4,0	—
12-16	14	12	—	—	—	—	—	—

NOTA: Cuanto más pequeño es el número de calibre, más grueso es el cordón.

## “CONSERVE ESTAS INSTRUCCIONES”

## Índice

<b>Página</b>	
<b>Seguridad</b> .....	38-42
Normas generales de seguridad para herramientas para tablero de banco .....	38
Normas de seguridad para sierras para cortar ingletes .....	39-42
<b>Índice</b> .....	42
<b>Requisitos eléctricos</b> .....	43
<b>Familiarización con la sierra para cortar ingletes</b> .....	43-45
<b>Ensamblaje</b> .....	46-48
Herramientas necesarias para el ensamblaje y la alineación .....	46
Desempaquetado y comprobación del contenido .....	46
Instalación y remoción de la hoja .....	47-48
Ensamblaje del codo para polvo y la bolsa para polvo .....	48
<b>Ajustes</b> .....	49-52
Comprobación del ajuste de bisel a 0° .....	49
Ajuste de la tensión de la palanca de fijación de bisel .....	49
Hoja a 45° respecto a la mesa .....	50
Hoja en ángulo recto con el tope-guía .....	51
Ajuste del indicador de la escala de ingletes .....	51
Accesorio de inserción para la separación de corte .....	52
Ajuste de la profundidad .....	52
<b>Ajuste del mango interruptor de cuatro posiciones</b> .....	53-55
Aplicaciones de montaje .....	53

<b>Página</b>	
Montaje de la sierra .....	54
Ajuste del mango interruptor de cuatro posiciones .....	54
<b>Operaciones básicas de la sierra</b> .....	55-58
Posición del cuerpo y de las manos .....	55
Soporte de la pieza de trabajo .....	56-57
Activación del interruptor .....	57
Sobrecontrol del retén .....	58
Extensión de la base/tope-guía deslizante .....	58
<b>Operaciones de la sierra</b> .....	59-66
Corte de troceado .....	59
Corte deslizante .....	59
Corte a inglete .....	60
Corte en bisel .....	60-61
Cortes compuestos .....	62
Corte de ranuras .....	63
Corte de moldura de base .....	64
Corte de moldura de techo .....	65-66
Cortes especiales .....	67
<b>Mantenimiento y lubricación</b> .....	70-71
<b>Cambios de banda</b> .....	70
<b>Localización y reparación de averías</b> .....	71-72
<b>Accesorios</b> .....	73

## Requisitos eléctricos

1. Conecte esta sierra a un circuito derivado de 120 V y 15 A con cortacircuito o un fusible de 15 amperios de acción retardada. La utilización de un fusible de tamaño incorrecto puede dañar el motor.
2. Los fusibles pueden fundirse o los cortacircuitos pueden dispararse frecuentemente si se sobrecarga el motor. La sobrecarga puede producirse si se hace avanzar la hoja por la pieza de trabajo demasiado rápido o si se arranca y se detiene demasiado frecuente en un período de tiempo corto.
3. La mayoría de los problemas del motor se pueden atribuir a conexiones flojas o incorrectas, sobrecarga, tensión baja (tal como un cable de tamaño pequeño en el circuito de alimentación o un cable del circuito de alimentación demasiado largo). Compruebe siempre las conexiones, la carga y el circuito de alimentación cuando el motor no funciona bien.

### Freno eléctrico

La sierra está equipada con un freno eléctrico automático que está diseñado para hacer que la hoja deje de girar en unos cinco (5) segundos después que usted suelte el interruptor gatillo. Es útil al hacer ciertos cortes en madera donde una hoja que aún gire por inercia podría producir un corte ancho e impreciso.

### ⚠ ADVERTENCIA

Cuando se pierda la energía eléctrica debido a que se haya fundido un fusible o a otras causas, la velocidad del motor se reducirá gradualmente y la acción de frenado se iniciará ÚNICAMENTE al soltar el interruptor gatillo.

El freno eléctrico de la hoja de la sierra ha sido diseñado para proporcionar el más alto grado de confiabilidad, pero circunstancias inesperadas, tales como presencia de contaminación en el conmutador y en las escobillas o avería de los componentes del motor, pueden hacer que el freno no se active. Si se produce esta situación, encienda (posición "ON") y apague (posición "OFF") la sierra cuatro o cinco veces sin entrar en contacto con la pieza de trabajo. Si la herramienta funciona pero el freno no detiene la hoja cada vez en unos 5 segundos, NO utilice la sierra y haga que se realice servicio de ajustes y reparaciones inmediatamente.

### ⚠ ADVERTENCIA

La acción de frenado de esta sierra no está proyectada como dispositivo de seguridad. Recuerde dejar que la hoja de la sierra se detenga por completo antes de retirarla de la pieza de trabajo. Como siempre, el sistema de protectores constituye la mejor protección para usted contra el contacto no intencional con la hoja de sierra que gira. NUNCA ponga cuñas para mantener abierto el protector inferior ni anule la acción de cierre de dicho protector.

## Familiarización con la sierra para cortar ingletes (Ver página 44)

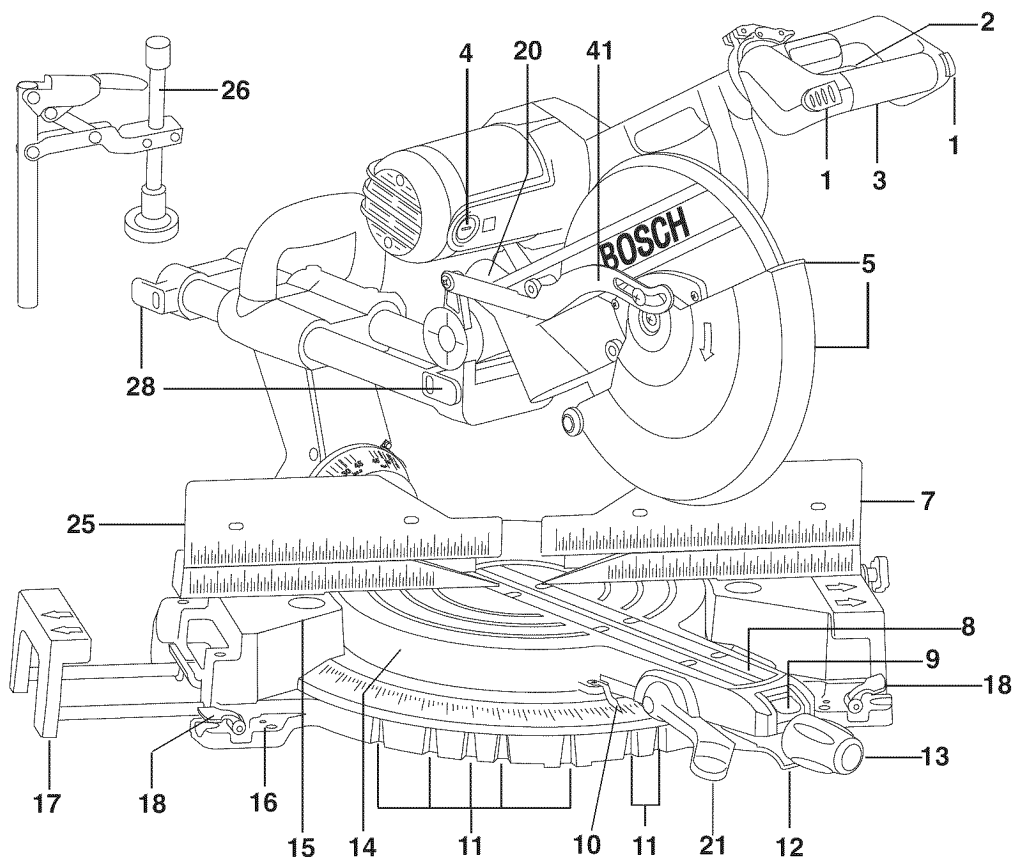
### ⚠ ADVERTENCIA

Para evitar lesiones debidas a un arranque accidental, saque el enchufe del tomacorriente de la fuente de energía antes de hacer cualquier ajuste.

1. **Botón de liberación de la "Fijación en Off" (apagado)** – Uno de estos dos botones debe estar oprimido para activar el interruptor de encendido.
2. **Interruptor de encendido** – El interruptor de encendido utilizado con el botón de "Fijación en OFF" enciende la unidad.
3. **Mango principal** – Este mango contiene el interruptor. La hoja se baja hacia la pieza de trabajo empujando este mango hacia abajo.
4. **Tapas de las escobillas** – Estas tapas mantienen las escobillas del motor en su sitio y facilitan el acceso para inspeccionar y cambiar las escobillas.
5. **Protector inferior de la hoja/reborde del protector inferior** – El protector inferior de la hoja ayuda a proteger las manos del operador contra la hoja que gira. Se retrae al bajar la hoja. El reborde se puede usar para subir el protector inferior cuando éste se atasque en una pieza de trabajo.
6. **Hoja** – Use solamente hojas de 12" con agujero de eje portaherramienta de 1".
7. **Tope-guía deslizante** – Soporta la pieza de trabajo. El tope-guía tiene una escala fundida para hacer cortes repetitivos

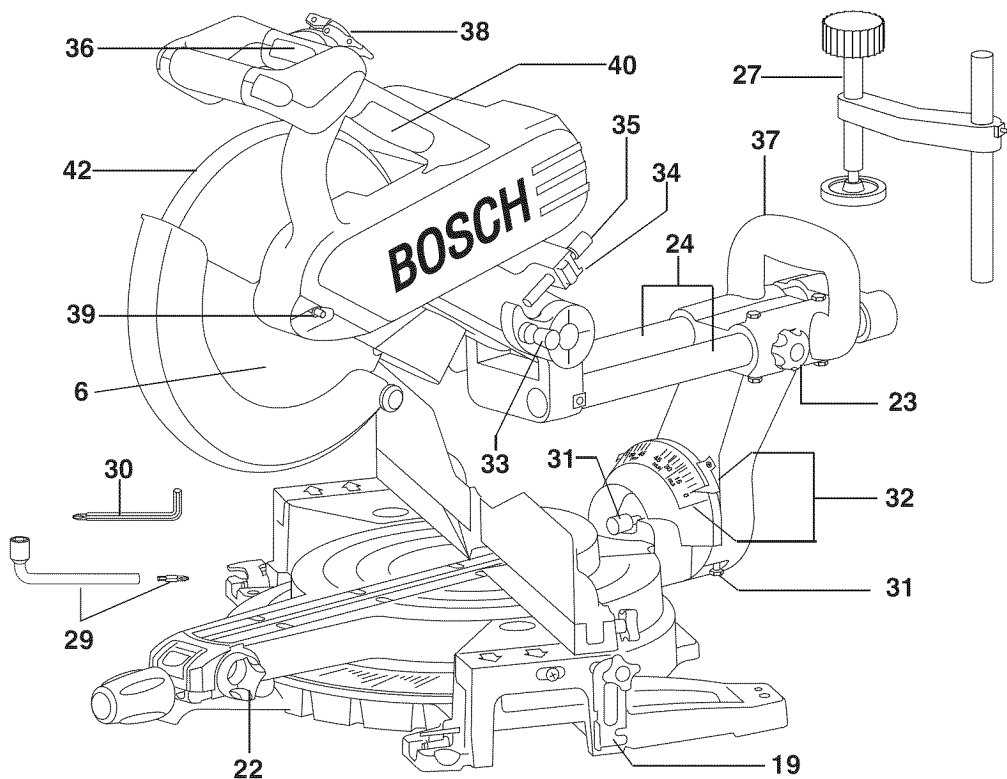
fácilmente. El tope-guía también tiene agujeros que se usan para fijar un tope-guía auxiliar si así se desea.

8. **Accesorios de inserción para la separación de corte** – Los accesorios de inserción para la separación de corte se pueden ajustar a diferentes anchos de hoja para minimizar el desgarro de la pieza de trabajo.
9. **Sobrecontrol del retén de inglete** – Permite anular la acción del retén para facilitar los microajustes a cualquier ángulo de inglete.
10. **Indicador de la escala de ingletes/del ángulo de inglete** – Esta escala está fundida en la base de la sierra. El indicador está sujeto a la mesa.
11. **Retenes de inglete** – Hay diez (10) retenes de inglete para cortes de inglete a ángulos de inglete comunes con rapidez y precisión.
12. **Gatillo de retén del inglete** – Este gatillo suelta la mesa de la sujeción del retén.
13. **Pomo de fijación de inglete** – El pomo de fijación de inglete fija la mesa de la sierra para cortar ingletes en cualquier ángulo de inglete que se desee.
14. **Mesa** – Está asentada sobre la base, proporciona soporte a la pieza de trabajo, gira para realizar los cortes de inglete deseados y gira el ensamblaje del cabezal. La parte delantera extendida de la mesa se llama brazo de inglete.



- 15. Base** – Proporciona una superficie de trabajo para soportar la pieza de trabajo.
- 16. Plataformas de montaje de la herramienta** – Las cuatro esquinas de la sierra proporcionan áreas para fijar con abrazaderas, atornillar o clavar la sierra a una superficie de trabajo plana.
- 17. Extensiones de la base deslizantes** – Dan mayor soporte a la pieza y tienen gran utilidad cuando se cortan piezas largas.
- 18. Palancas de sujeción de las extensiones de la base** – Estas palancas aseguran las extensiones de la base en las posiciones deseadas.
- 19. Tope de longitud (modelo 5412 solamente)** – Para cortes repetitivos de la misma longitud. Si se desea, se puede mover al lado izquierdo.
- 20. Boquilla para polvo** – Esta boquilla puede aceptar el conducto y la bolsa para polvo, o una conexión con manguera de aspiración de 1-1/4 pulgada.
- 21. Palanca de fijación de bisel** – La palanca frontal de fijación de bisel fija el ensamblaje del cabezal en el ángulo deseado de bisel.
- 22. Perilla selectora de intervalo de ángulos de bisel** – Permite seleccionar el intervalo de ángulos de corte, de 0 a 45° a la izquierda, de 0 a 45° a la derecha, y el intervalo completo de 47° a la izquierda hasta 47° a la derecha.
- 23. Pomo de fijación de los rieles de deslizamiento** – El pomo de fijación de los rieles de deslizamiento fija los rieles de deslizamiento cuando no se están haciendo cortes deslizantes y cuando se está transportando la sierra.
- 24. Rieles de deslizamiento** – Guían el ensamblaje del cabezal al hacer cortes deslizantes.
- 25. Agujeros para abrazadera de acción rápida** – Hay dos (2) agujeros (que no se ven) detrás del tope-guía, para colocar la abrazadera de acción rápida.
- 26. Abrazadera de acción rápida (modelo 5412 solamente)** – Proporciona fijación rápida de la pieza de trabajo.
- 27. Abrazadera para la pieza de trabajo (modelo 5312 solamente)** – Proporciona fijación rápida de la pieza de trabajo.
- 28. Soporte del cordón** – Permite enrollar con facilidad el cordón eléctrico para que no estorbe cuando transporte o guarde la sierra.

## Familiarización con la sierra para cortar ingletes



- 29. Herramienta universal (modelo 5412 solamente)** – Se usa para aflojar o apretar la hoja, y para ajustar el tope-guía.
- 30. Llave universal en “L” de 1.5 mm (modelo 5312 solamente)** – Se usa para aflojar o apretar la hoja.
- 31. Pasador de retén del bisel (ajuste de moldura de techo)** – Permite trabar con facilidad el cabezal en el ángulo de bisel de 33.9° a la izquierda o a la derecha.
- 32. Escala de biseles** – Esta escala es grande y oblicua, para permitir la fácil lectura de los ángulos de bisel.
- 33. Pasador de fijación del ensamblaje del cabezal** – La sierra para cortar ingletes está equipada con un pasador de fijación que se usa para fijar el ensamblaje del cabezal en la posición inferior.
- 34. Botón de liberación rápida de tope de profundidad** – Le permite soltar con rapidez el tope de profundidad.
- 35. Perilla de ajuste fino del tope de profundidad** – Permite ajustar la profundidad de la hoja para cortar ranuras en la pieza (Figura 13, página 52).
- 36. Palanca de liberación de la rotación del mango (modelo 5412 solamente)** – Al tirar de esta palanca se puede girar el mango. Suelte la palanca en una de las cuatro posiciones de funcionamiento.
- 37. Mango trasero de transporte** – Se utiliza para levantar la herramienta.
- 38. Abrazadera del mango (modelo 5412 solamente)** – Fija el mango en la posición seleccionada.
- 39. Cierre del eje** – Permite al usuario impedir que la hoja gire mientras aprieta o afloja el tornillo del eje, para cambiar o quitar la hoja.
- 40. Mango delantero de transporte** – Se utiliza para levantar la herramienta.
- 41. Eslabón de accionamiento del protector inferior** – Permite un movimiento suave del protector inferior.
- 42. Protector superior de la hoja** – Cubre la porción superior de la hoja.

## Ensamblaje

### Herramientas necesarias para el ensamblaje y la alineación

Escuadra de combinación



Llave hexagonal en "L" de 1.5 mm (suministrada)



Llave universal en "L" de 6.5 mm (suministrada con el modelo 5312 solamente)

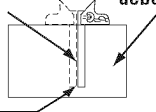


La escuadra de combinación debe estar alineada

Trace una línea ligera sobre la tabla a lo largo de este borde

Borde recto de la tabla de 3/4" de grosor. Este borde debe ser perfectamente recto

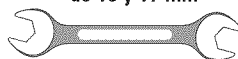
No debe haber espacio libre ni superposición cuando se dé la vuelta a la escuadra sobre la posición marcada con una línea de puntos



Herramienta universal (suministrada con el modelo 5412 solamente)



Llave de tuercas combinada de 10 y 17 mm



#### **ADVERTENCIA**

Desconecte el enchufe de la fuente de energía antes de realizar cualquier ensamblaje, ajuste o reparación para evitar posibles lesiones.

## Desempaqueado y comprobación del contenido

#### **ADVERTENCIA**

Antes de mover la sierra: Fije el pomo de fijación de inglete en la posición de 45°. Fije el mango de fijación de bisel. Tire el ensamblaje del cabezal completamente hacia usted y apriete el pomo de fijación de los rieles de deslizamiento. Fije el ensamblaje del cabezal en la posición hacia abajo.

**Nunca transporte la herramienta levantándola por los rieles laterales, porque puede dañar la hoja.**

Nunca lleve la herramienta por el cordón ni por el mango con interruptor de encendido del ensamblaje del cabezal. Los daños al aislamiento podrían causar una sacudida eléctrica. Los daños a las conexiones de los cables podrían causar un incendio.

La sierra de para cortar ingletes los modelos 5312 y 5412 se envía completa en una caja.

1. Separe todas las piezas de los materiales de empaquetamiento y compruebe cada una usando la "Tabla de piezas sueltas" para asegurarse de que no falte ningún artículo antes de tirar cualquier material de empaquetamiento.

2. Piezas sueltas:

Abrazadera de acción rápida (modelo 5412 solamente) — Se usa para fijar las piezas de trabajo.

Abrazadera para la pieza de trabajo (modelo 5312 solamente) — Se usa para fijar las piezas de trabajo.

Codo para polvo/bolsa para polvo — Se usa para recoger serrín.

Herramienta universal (modelo 5412 solamente) — Se debe guardar en la base trasera derecha.

Soporte trasero del cordón, arandela y tornillo — Se utilizan para enrollar el cordón eléctrico.

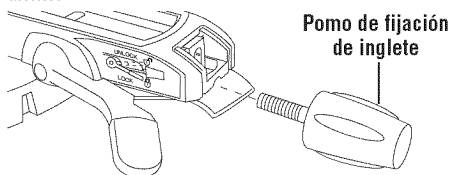
Pomo de fijación de ingletes — Se utiliza para fijar la mesa en el ángulo de corte oblicuo (inglete) que se desee.

#### **ADVERTENCIA**

Si falta alguna pieza, no enchufe el cordón de energía ni encienda el interruptor hasta que las piezas que faltan se obtengan e instalen correctamente.

#### Instalación del pomo de fijación de inglete

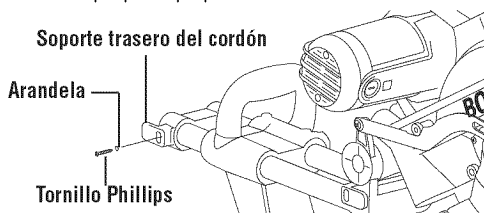
Ubique el pomo de fijación de inglete entre las piezas sueltas y atornille el eje con rosca del pomo en el agujero correspondiente.



Pomo de fijación de inglete

#### Instalación del soporte trasero del cordón

Ubique el soporte trasero del cordón entre las piezas sueltas, instálelo como se ve abajo, y asegúrelo con la arandela y el tornillo Phillips que se proporcionan.



Arandela

Tornillo Phillips

# Ensamblaje

## Instalación y remoción de la hoja

**ADVERTENCIA** Desconecte el enchufe de la fuente de energía antes de realizar cualquier ensamblaje, ajuste o reparación para evitar posibles lesiones.

1. La sierra de carro para cortar ingletes compuestos está equipada con un pasador de fijación que se usa para fijar la sierra para cortar ingletes en la posición inferior. Para soltar, empuje el mango hacia abajo ligeramente, tire del pasador de fijación hasta su posición completamente hacia afuera y gírelo 90°.

NOTA: Si el pasador de fijación se atasca y no sale al empujar el mango ligeramente hacia abajo, es posible que haya que ajustar el perno del tope de profundidad (vea Ajuste del tope de profundidad, página 52) ligeramente para que se pueda empujar el mango hacia abajo y se pueda sacar el pasador.

2. Gire el protector inferior a mano. Afloje el tornillo de la placa de cubierta delantera hasta que se pueda levantarla (Figura 1).

3. Gire la placa de cubierta en sentido contrario al de las agujas del reloj para que el perno de la hoja quede al descubierto (Figura 1).

4. Oprima y mantenga oprimido el cierre del eje (vea la Figura en la página 45). Use la herramienta universal o llave universal en "L" para sacar el perno de la hoja, girando la llave en el sentido de las agujas del reloj. NOTA: Este perno tiene rosca a izquierda.

5. Quite el perno de la hoja, la arandela exterior y la hoja. No es necesario quitar la arandela interior (Figura 2).

6. Para instalar la hoja de 12 pulgadas, póngala entre los deflectores de viruta y en el eje, así como sobre el anillo de soporte de 1 pulgada de la arandela interior (Figura 3).  
NOTA: Asegúrese de que la flecha de rotación que está en la hoja coincida con la flecha de rotación en el sentido de las agujas del reloj que está en el protector inferior.

**ADVERTENCIA** Para evitar lesiones, no use una hoja cuyo diámetro sea superior ni inferior a 12", ni que sea para un eje portaherramienta superior ni inferior a 1".

7. Coloque de nuevo la arandela exterior en su orientación apropiada y apriete con los dedos el perno de la hoja. Oprima el cierre del eje y apriete el perno del eje con la herramienta universal o llave universal en "L" para asegurarlo, pero no lo apriete demasiado.

8. Gire la placa de cubierta en el sentido de las agujas del reloj hasta la posición original. Apriete el tornillo de la placa de cubierta delantera y el de la placa de cubierta trasera.

**ADVERTENCIA** Apriete el tornillo de la placa de cubierta. Si el tornillo de la placa de cubierta está flojo, podrá interferir con el protector inferior de la hoja y atascarlo. Nunca use la sierra sin la placa de cubierta firmemente en su sitio. El protector inferior no funcionará adecuadamente.

9. Asegúrese de que el cierre del eje portaherramienta esté suelto para que la hoja gire libremente.

**ADVERTENCIA** Después de instalar una hoja nueva, asegúrese de que la hoja no interfiera con el accesorio de inserción de la mesa en las posiciones de inglete de 0° y 45°. Baje la hoja hasta el interior de la ranura de la mesa y compruebe si hay contacto con la base o la estructura de la mesa giratoria. Si la hoja hace contacto con la base o con la mesa, obtenga servicio autorizado.

10. Coloque la herramienta universal o llave universal en "L" en el ojal de caucho en la parte derecha trasera de la herramienta.

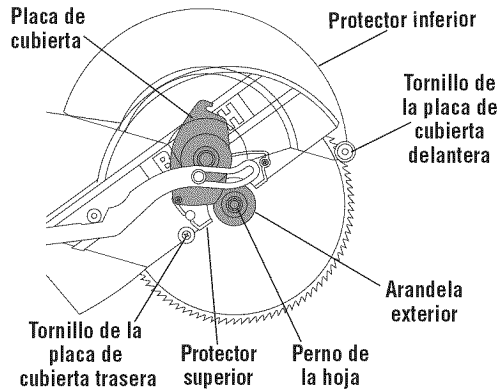


Figura 1. Remoción de la hoja

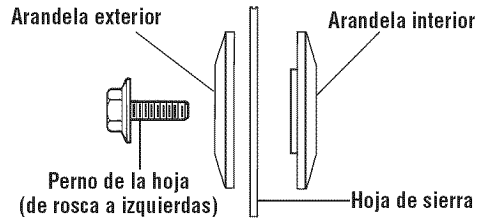


Figura 2. Herrajes de la hoja

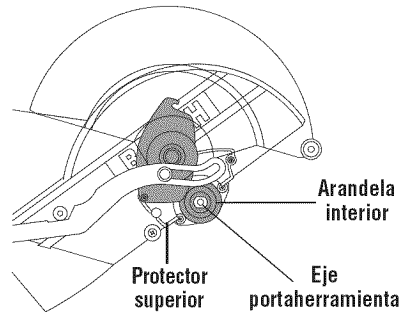


Figura 3. Instalación de la hoja

## Ensamblaje

### Ensamblaje del codo para polvo y la bolsa para polvo

1. Con el brazo de inglete fijado en la posición hacia abajo, empuje el codo para polvo encima de la orificio para polvo. Empuje la bolsa para polvo sobre el codo y gírelos hasta la posición deseada (Figura 4).
2. Posicione el codo/la bolsa para polvo de modo que no interfiera con la herramienta durante la operación de corte para todas las posiciones de inglete/bisel. Asegúrese de que la bolsa para polvo no interfiera con los rieles de deslizamiento durante el corte deslizante.
3. Hay que vaciar la bolsa para polvo cuando esté llena de serrín. Vacíela frecuentemente y después de terminar de aserrar. Quite cuidadosamente la bolsa para polvo del codo para polvo. Vacíe la bolsa para polvo en un cubo de basura adecuado abriendo la cremallera de la bolsa. Tenga mucho cuidado con el polvo que se tire, ya que los materiales en

forma de partículas finas pueden ser explosivos. No tire el serrín a un fuego abierto. Al cabo del tiempo se puede producir una combustión espontánea como consecuencia de la mezcla de aceite o agua con las partículas de polvo.

Nota: El codo para polvo también se puede conectar a un tubo de aspiración estándar de 1-1/4" para recoger polvo.

**⚠ ADVERTENCIA** Al aserrar madera tratada químicamente a presión, pintura que pueda estar basada en plomo o cualquier otro material que pueda contener carcinógenos, tome precauciones especiales. Todo el personal que entre en el área de trabajo debe usar un aparato de respiración adecuado. El área de trabajo debe cerrarse con cubiertas colgantes de plástico y debe mantenerse fuera a las personas no protegidas hasta que el área de trabajo esté bien limpia.

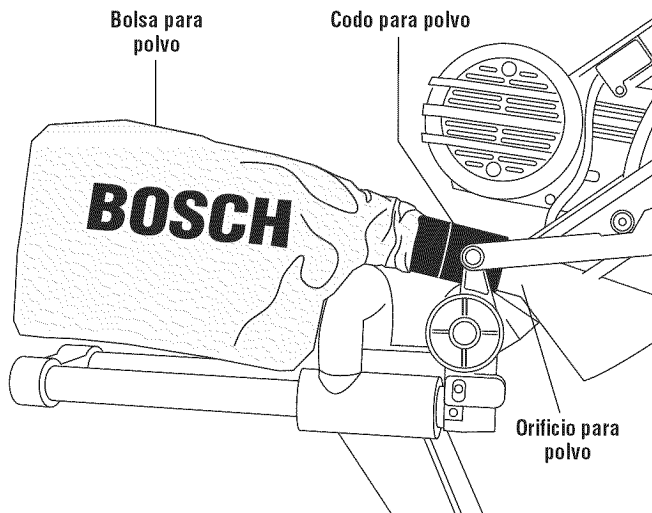


Figura 4. Bolsa y codo para polvo



## Ajustes

**ADVERTENCIA** Desconecte el enchufe de la fuente de energía antes de realizar cualquier ensamblaje, ajuste o reparación para evitar posibles lesiones.

NOTA: La sierra de para cortar ingletes se ajustó completamente en la fábrica. Sin embargo, durante el transporte se puede haber producido una ligera desalineación. Compruebe las posiciones siguientes y haga ajustes si es necesario antes de usar esta sierra para cortar ingletes.

### Comprobación del ajuste de bisel a 0°

1. Empuje el ensamblaje del cabezal hacia abajo y empuje el pasador de fijación del cabezal para mantenerlo en la posición inferior.
2. Deslice el ensamblaje del cabezal totalmente hacia atrás, y apriete el pomo de fijación de los rieles.
3. Gire la mesa a la posición de inglete de 0°.
4. Tire hacia arriba la palanca de fijación de bisel para aflojarla.
5. Compruebe la posición de la perilla selectora del intervalo de biseles. Debe estar en la posición 0°- 45°.
6. Incline hacia la izquierda el conjunto de la sierra, en sentido contrario de las agujas del reloj. A continuación gire ese conjunto hacia la derecha (en el sentido de las agujas del reloj), hasta que sienta el tope en la posición vertical. Esta es la posición normal de la sierra para un corte en bisel de 0°.

Baje la hoja y acople el pasador de fijación. Use una escuadra de combinación para comprobar la perpendicularidad de la hoja respecto a la mesa. Coloque la escuadra sobre la mesa y presiónela contra la hoja. Si la hoja no hace contacto con toda la longitud de la escuadra (Figura 5), siga el procedimiento de alineación.

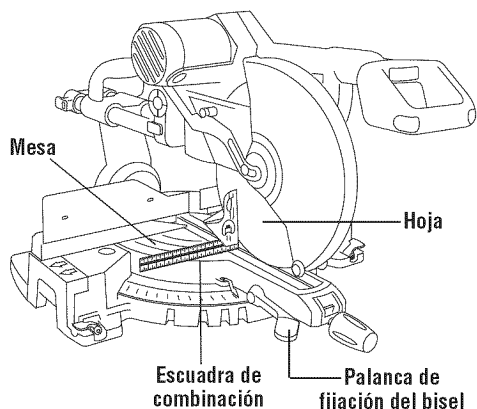


Figura 5. Hoja en ángulo recto con la mesa

### Calibración de la hoja a 0 grados (en ángulo recto con la mesa)

1. Suba la palanca de fijación de bisel para soltarla.

2. Afloje los tornillos de cabeza "A" y "B" con la llave de tuercas de 10 mm, cuando menos una vuelta completa (Figura 6).
3. Ponga la llave Allen de 4 mm en la herramienta universal y dentro del tornillo de ajuste "D" (Figura 6).
4. Afloje el tornillo de ajuste "D" con la llave de 4 mm, cuando menos 3 vueltas completas (Figura 6).

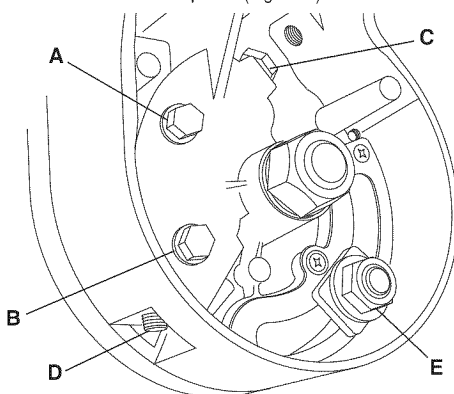


Figura 6. Calibración de la hoja a 0 grados (en ángulo recto con la mesa)

5. Coloque la escuadra de combinación sobre la mesa, apoyada contra el tope-guía (vea la Figura 5).
6. Gire el tornillo de cabeza "C" y observe la inclinación de la hoja hasta que quede alineada con la escuadra de combinación. Cuando esté alineada, saque la llave.
7. Apriete el tornillo de ajuste "D".
8. Apriete los tornillos de 10 mm "A" y "B".
9. Compruebe y ajuste los indicadores de bisel a 0 grados en cada lado de la escala de ángulos de bisel.
10. Empuje la palanca de fijación de bisel hacia abajo antes de cortar.

### Ajuste de la tensión de la palanca de fijación de bisel

1. Suba la palanca de fijación de bisel para soltarla.
2. Ponga una llave de tuercas plana de 17 mm en la cabeza del tornillo "E" (Figura 6).
3. Gire la tuerca "E" 1/8 de vuelta en el sentido de las agujas del reloj para apretar la tensión de fijación, o 1/8 de vuelta en sentido contrario para aflojar la tensión.
4. Empuje la palanca de fijación de bisel hacia abajo.
5. Compruebe que la tensión de fijación del ángulo de bisel sujete con seguridad la posición del ángulo y que también permita que la palanca se fije hasta el punto que se sienta un tope firme.
6. Si es necesario, repita los pasos 1 a 5 para ajustar la tensión.

## Ajustes

### Hoja a 45° respecto a la mesa

#### Comprobación del ajuste de bisel a 45°

1. Baje el ensamblaje del cabezal y empuje el pasador de fijación para mantenerlo en la posición inferior.
2. Deslice el ensamblaje del cabezal totalmente hacia atrás, y apriete el pomo de fijación de rieles.
3. Gire la mesa a la posición de corte oblicuo (inglete) de 0°.
4. Tire hacia arriba de la palanca de fijación de bisel para aflojarla.
5. Compruebe la posición del pomo selector de intervalo de ángulos de bisel. Debe estar en la posición 0°- 45°.
6. Inclíne el ensamblaje del cabezal hacia la izquierda, en sentido contrario a las agujas del reloj. A continuación, gírelo hacia la derecha (en el sentido de las agujas del reloj), hasta sentir el tope de la posición de 45° izquierda. Este es el ajuste de la sierra para un corte de bisel a 45° a la izquierda.

Use una cabeza de la escuadra de combinación para comprobar la posición de la hoja en el tope de 45°. Ponga la

cabeza de la escuadra sobre la mesa y oprima su cara de 45° contra la hoja. Si la hoja no toca toda la cara de la escuadra (Figura 5), efectúe el procedimiento de alineamiento.

#### Calibración de la hoja a 45 grados con la mesa

1. Suba la palanca de fijación de bisel para aflojarla.
2. Inclíne el cabezal de la sierra hasta el tope de 45 grados del lado izquierdo.
3. Ponga el marco de la escuadra de combinación, sin la regla, con la cara de 45° contra la hoja (vea la Figura 7).
4. Ponga una llave de tuercas de 10 mm en la cabeza del tornillo "F" (Figura 8).
5. Gire el tornillo "F" y observe el movimiento de inclinación de la hoja hasta que quede alineada con la cara de 45 grados del marco de la escuadra de combinación.
6. Compruebe y ajuste los indicadores de bisel, asegurándose de que estén en 45 grados a cada lado de la escala de bisel.
7. Baje la palanca de fijación de bisel antes de cortar.

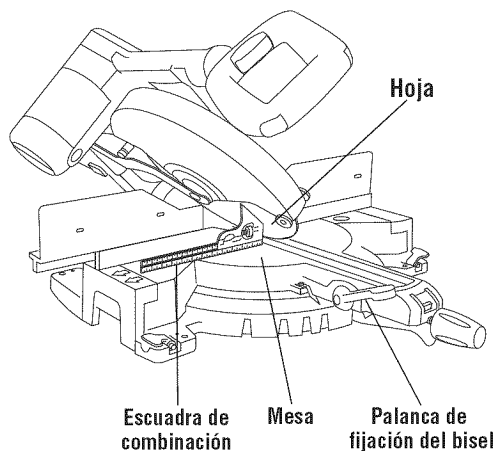


Figura 7. Hoja a 45° respecto a la mesa

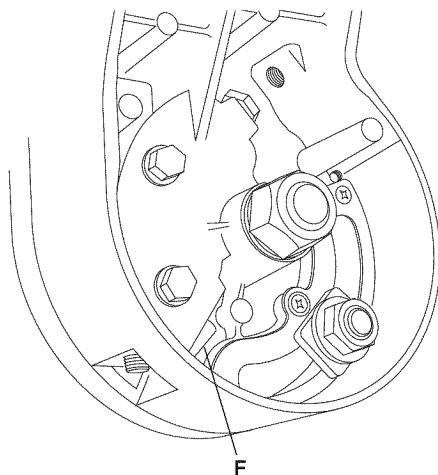


Figura 8. Calibración de la hoja a 45 grados con la mesa

## Ajustes

### Hoja en ángulo recto con el tope-guía

1. Asegúrese de que el ensamblaje del cabezal esté hacia delante, cerca del centro de la mesa, y de que el pomo de fijación de los rieles deslizantes esté apretado.
2. Baje el ensamblaje del cabezal, saque el pasador de fijación y gírelo 90°, para fijar el ensamblaje del cabezal en la posición inferior. Asegúrese de que la mesa esté en el retén de 0° y apriete el pomo de fijación de inglete. Coloque una escuadra de combinación contra el tope-guía y junto a la hoja tal como se ilustra. Sitúe la escuadra adecuadamente para que no haga contacto con el diente de la hoja de sierra. La hoja de sierra debe hacer contacto con toda la longitud de la escuadra (Figura 9).
3. Si la hoja no hace contacto con la escuadra, siga el procedimiento de alineación del tope-guía.

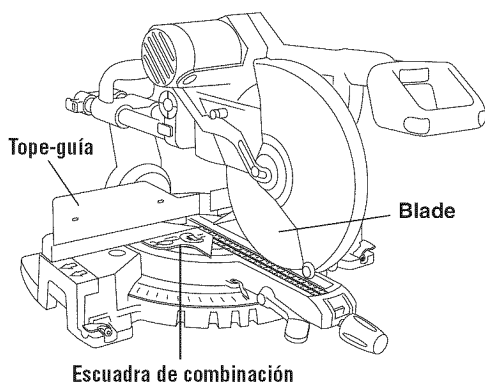


Figura 9. Hoja en ángulo recto con el tope-guía

### Alineación del tope-guía

- a. Quite las extensiones del tope-guía deslizante.
- b. El ensamblaje del cabezal debe permanecer en la posición bajada.
- c. Use la herramienta universal (suministrada con el modelo 5412 solamente) o uso 7/16" casquillo y afloje los cuatro (4) perno hexagonales ubicados detrás del tope-guía (Figura 10).
- d. Ajuste el tope-guía hasta que la hoja y el tope-guía hagan contacto completo con la escuadra.
- e. Apriete los perno de hexagonales.
- f. Vuelva a colocar el tope-guía deslizante.

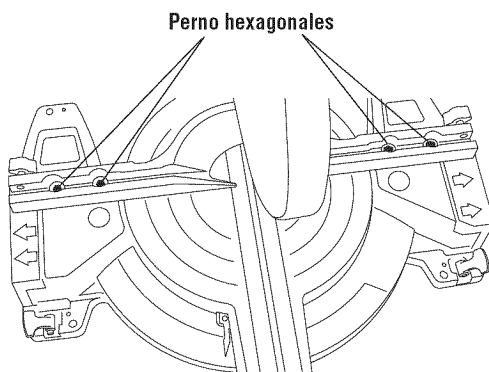


Figura 10. Ajuste del tope-guía

### Ajuste del indicador de la escala de ingletes

1. Gire la mesa hasta la posición de 0° y fíjela en esa posición.
2. Suba el ensamblaje del cabezal hasta la posición completamente hacia arriba.
3. Afloje el tornillo Phillips que sujeta el indicador en su sitio (Figura 11).
4. Posicione el indicador para alinearlos con la marca de inglete de 0°. Apriete el tornillo.

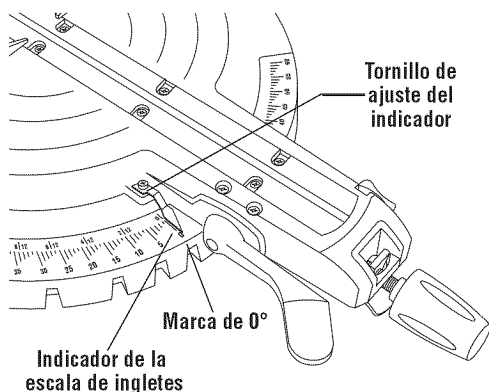


Figura 11. Ajuste de la escala de ingletes

### Accesorio de inserción para la separación de corte

El accesorio de inserción para la separación de corte se puede ajustar cerca de la hoja, pero sin tocarla, para evitar que se produzcan desgarrones en la parte inferior de la pieza de trabajo.

1. Baje el ensamblaje del cabezal y fíjelo en esa posición.
2. Afloje los seis (6) tornillos del accesorio de inserción con la herramienta universal o llave universal en "L" (Figura 12).
3. Ajuste los accesorios de inserción para la separación de corte tan cerca de (los dientes de) la hoja como sea posible sin tocar la hoja.
4. Apriete los tornillos del accesorio para la separación de corte.

NOTA: En ángulos de bisel extremos la hoja de sierra puede cortar ligeramente en el accesorio de inserción para la separación de corte.

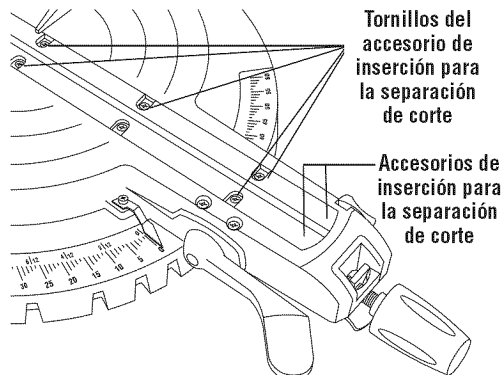


Figura 12. Accesorio de inserción para la separación de corte

### Ajuste de la profundidad

- Cuando el diámetro de la hoja se haya reducido debido alafilamiento, puede que sea necesario ajustar el tope de profundidad. Cuando se instala una hoja nueva, es necesario comprobar el espacio libre entre la hoja y la estructura de la mesa giratoria.

#### Ajuste de la profundidad de la hoja para cortes normales completos

- El ajuste del tope de profundidad es un dispositivo que se usa al cortar ranuras en la pieza de trabajo. (Vea la página 63 para el corte de ranuras.)
1. Afloje y gire las dos contratuercas hasta justo arriba del extremo roscado del perno de tope de profundidad (Figura 13).
  2. Oprima el botón de liberación del tope de profundidad y tire hacia arriba del perno de tope de profundidad hasta que la tuerca llegue al fondo de su marco de soporte (Figura 13).
  3. Ajuste la mesa a la posición de 0° de inglete. Empuje hacia abajo y deslice hacia atrás el cabezal de la sierra, hasta su posición totalmente retraída.
  4. Observando tanto la hoja como la esquina donde el tope-guía llega a la mesa, gire el perno de tope de profundidad para ajustar la profundidad de la hoja a aproximadamente  $\frac{1}{8}$  de pulgada bajo la superficie de la mesa.
  5. Afloje el cabezal de la sierra de modo que quede en la posición superior.
  6. Gire las dos contratuercas para apretarlas contra la cara inferior del marco de soporte. Apriete las tuercas entre sí.
  7. Ensaye un corte deslizando (con la herramienta desconectada) para comprobar que la hoja no toque la mesa. Si no

alcanza a tocar, haga un corte de práctica (con la herramienta conectada) en madera de desperdicio para comprobar que el corte atraviese por completo la cara inferior delantera de la pieza.

**PRECAUCIÓN** No arranque la sierra para cortar ingletes sin comprobar si hay interferencia entre la hoja y la estructura de la mesa giratoria. La hoja podría arruinarse si corta en la estructura de la mesa.

#### Ajuste de la profundidad de la hoja para cortar ranuras

Se puede ajustar el tope de profundidad con facilidad para limitar la profundidad de corte, como cuando se hace una ranura.

(Consulte las instrucciones en la página 63).

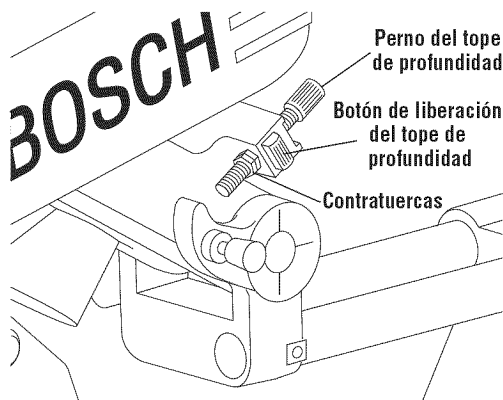


Figura 13. Ajuste de la profundidad

## Transporte, colocación y montaje

**ADVERTENCIA** Para evitar lesiones, siga siempre las instrucciones siguientes:

- Desenchufe el cordón eléctrico. Antes de transportar la sierra, gire el ensamblaje del cabezal y fije el conjunto en la inclinación de 60° a la derecha, asegure el retén, deslice el conjunto del cabezal a la mitad de su riel, apriete el pomo de fijación de rieles y fije el ensamblaje del cabezal en la posición inferior.

### Cómo levantar la sierra

- Para evitar lesiones en la espalda, sujete la herramienta cerca del cuerpo cuando la levante. Doble las rodillas para poder levantar la herramienta haciendo fuerza con las piernas, no con la espalda.
- Levante la herramienta usando los mangos de transporte fundidos que se encuentran a los lados de la parte inferior de la base.
- Otra forma de levantarla: cuando levante la herramienta del suelo, use los mangos trasero y delantero de transporte (arriba del protector).

- **Nunca transporte la herramienta levantándola por los rieles laterales, porque puede dañar la hoja.**
- **Nunca lleve la herramienta tomándola del mango del interruptor. Esto podría ocasionar graves daños.**
- Nunca lleve la sierra para cortar ingletes por el cordón de energía ni por el mango operativo. El intentar levantar o llevar la herramienta por el cordón de energía dañará el aislamiento y las conexiones de los cables, dando como resultado sacudidas eléctricas o incendio.
- Fijese en la posición de la sierra. Las personas que se encuentren detrás de ella podrían resultar lesionadas por residuos que salgan despedidos.
- Coloque la sierra sobre una superficie firme y nivelada, donde haya suficiente espacio para manejar y soportar adecuadamente la pieza de trabajo.
- Atornille, clave o fije con abrazaderas la sierra a su soporte.

**PRECAUCION** Tenga cuidado de no clavar demasiado el clavo ni girar demasiado el perno. Esto podría agrietar el pie o dañar la base.

## Aplicaciones de montaje

### Banco de trabajo

Monte la sierra en el banco de trabajo usando los cuatro agujeros para tornillos (5/16") o los cuatro agujeros para clavos (Figura 14). Compruebe el espacio libre a la izquierda y a la derecha de la sierra.

1. Cada uno de los cuatro agujeros de montaje debe atornillarse firmemente usando tornillos de 5/16", arandelas de seguridad y tuercas hexagonales (no se incluyen).
2. Localice y marque donde se va a montar la sierra.
3. Haga cuatro (4) agujeros de 5/16" de diámetro a través del banco de trabajo.
4. Coloque la sierra para cortar ingletes sobre el banco de trabajo alineando los agujeros de la base con los agujeros hechos en el banco de trabajo. Instale los tornillos, las arandelas de seguridad y las tuercas hexagonales. Como alternativa, puede montar la sierra con tornillos para madera, en los cuatro agujeros para clavos.

La superficie de soporte donde se va a montar la sierra se debe examinar cuidadosamente después de montarla para asegurarse de que no se pueda producir ningún movimiento durante la utilización. Si se observa alguna inclinación o desplazamiento, fije el banco de trabajo o la base para la herramienta antes de utilizar la sierra para cortar ingletes compuestos.

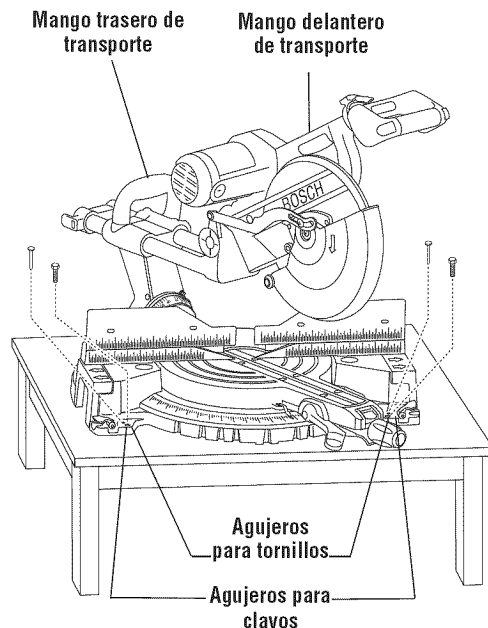


Figura 14. Montaje en un banco de trabajo

## Montaje de la sierra

### Montaje portátil usando abrazaderas

- Si es necesario, fije con abrazaderas la sierra para cortar ingletes a un banco de trabajo o a un tablero de mesa.
- Coloque dos (2) o más abrazaderas en "C" en las áreas de fijación con abrazaderas y fíjelas (Figura 15).
- Tenga cuidado de no poner las abrazaderas sobre las palancas de sujeción de las extensiones de la base (Figura 15).
- El montaje con abrazaderas impedirá trabajar con algunos ángulos grandes de inclinación.

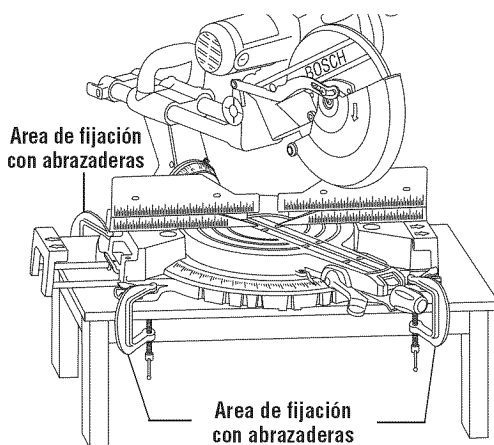


Figura 15. Montaje portátil usando abrazaderas

## Ajuste del mango interruptor de cuatro posiciones (modelo 5412 solamente)

### Ajuste del mango principal en la posición deseada

El mango interruptor se puede colocar en cualquiera de cuatro orientaciones distintas, dependiendo del corte que se haga y de la preferencia del usuario.

- vertical
- horizontal
- 45° a la izquierda
- 45° a la derecha

Para cambiar la posición del mango principal:

1. Suelte la abrazadera del mango (Figura 16).
2. Tire de la palanca de liberación de la rotación del mango y manténgala sujeta (Figura 16).
3. Gire el mango a la posición que desee.
4. Suelte la palanca de liberación para que el mango quede en su lugar. La palanca de liberación sólo se retrae en una de las cuatro (4) posiciones.

Nota: El interruptor de corriente no funciona a menos que la palanca de liberación esté retraída. No trate de encender la herramienta en la posición intermedia del mango, porque la puede dañar.

5. Fije la abrazadera del mango.

### Ajuste de la tensión de la abrazadera del mango de cuatro posiciones

1. Abra la abrazadera del mango.
2. Utilice una llave Allen de 1.5 mm para aumentar la tensión, girando  $\frac{1}{2}$  de vuelta los dos tornillos de ajuste hacia la

izquierda; apriete girando a la derecha. Siempre ajuste los dos tornillos de ajuste a la misma tensión. Always adjust both setscrews by the same amount.

3. Cierre la abrazadera del mango.
4. Compruebe la tensión.

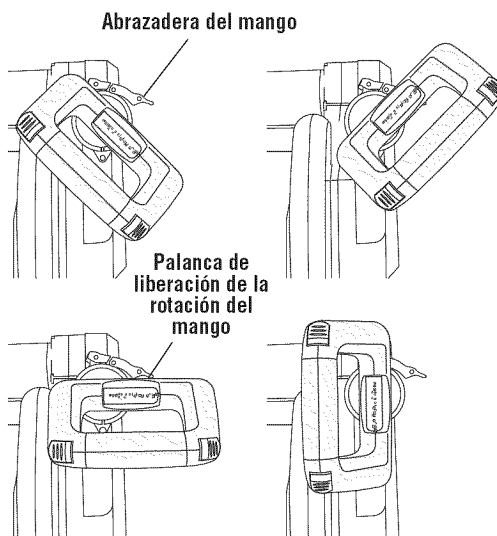


Figura 16. Ajuste de la posición del mango principal

# Operaciones básicas de la sierra

## Posición del cuerpo y de las manos

### ⚠ ADVERTENCIA

Posicione el cuerpo y las manos de modo adecuado para hacer que las operaciones de corte sean más fáciles y seguras. Siga las instrucciones siguientes (Figura 17).



Figura 17. Posiciones de las manos

- Nunca ponga las manos cerca del área de corte. Mantenga las manos y los brazos fuera de la "Zona de no tocar con la mano".
- Fijese en la etiqueta adhesiva "Zona de no tocar con la mano" ubicado a cada lado de la base. La "Zona de no tocar con la mano" se define como toda la Mesa más la parte de la Base ubicada a la derecha y a la izquierda que cae entre el borde exterior de estas dos etiquetas adhesivas y las partes del Tope-guía que se encuentran dentro de este límite.
- Tenga en cuenta la trayectoria de la hoja. Haga una prueba con la sierra APAGADA, haciendo un ciclo simulado de corte y observe la trayectoria de la hoja. Mantenga las manos fuera de la trayectoria de la hoja.
- PRUEBA – Es importante saber dónde se van a intersectar la hoja y la pieza en las operaciones de corte. Haga siempre la secuencia simulada de corte con la herramienta APAGADA, para comprender la trayectoria proyectada de la hoja. Tenga en cuenta mentalmente dónde cae la trayectoria de la sierra, y sostenga su pieza manteniendo sus manos y brazos fuera de la trayectoria de la hoja giratoria. Ajuste las abrazaderas y topes-guía de modo que no interfieran con el protector inferior ni la acción de corte durante la operación.
- Sujete firmemente la pieza de trabajo contra la mesa y el tope-guía, para evitar que se mueva.

- Mantenga las manos en su sitio hasta que se haya soltado el gatillo y la hoja se haya detenido completamente.
- Nunca ponga las manos en los rieles de deslizamiento.
- Mantenga los pies firmemente en el piso y mantenga un equilibrio adecuado.
- Siga el brazo de inglete al ingletear a la izquierda o a la derecha. Sitúese ligeramente a un lado de la hoja de sierra.

### ⚠ ADVERTENCIA

Puede que el protector inferior no se abra automáticamente en ciertas condiciones de corte. Por ejemplo, cuando trate de cortar piezas que estén cerca de la altura máxima de corte. En estas condiciones o durante el movimiento de deslizamiento del corte, la pieza de trabajo puede detener el movimiento del protector inferior antes de que el movimiento hacia abajo del brazo pueda preabrir el protector inferior.

#### Si esto sucede:

- La pieza de trabajo debe sujetarse firmemente con abrazaderas. Esto deja libre una mano para subir el protector por el reborde lo suficiente para que no toque la pieza de trabajo (Figura 18).
- Arranque la sierra y comience el corte.
- Una vez que haya despejado la posición donde el protector inferior podría atascarse, suelte el protector y éste continuará subiendo automáticamente a medida que usted corte.

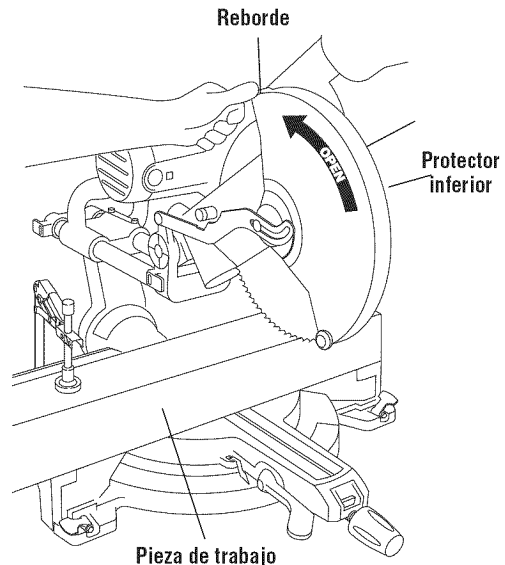


Figura 18. Subida del protector inferior

# Operaciones básicas de la sierra

## Soporte de la pieza de trabajo

**ADVERTENCIA** Las piezas de trabajo largas tienen tendencia a inclinarse a menos que estén sujetas con abrazaderas y soportadas adecuadamente desde debajo.

**Abrazaderas** – Las abrazadera asegura fácilmente una pieza de trabajo en cualquiera de los dos (2) agujeros de sujeción detrás del tope-guía (Figura 19).

- Un mínimo de 1/2" de estría debe acoplarse en el poste de la abrazadera para ser efectiva.
- Ajuste el tornillo si es necesario para no tocar el tope-guía o para grandes diferencias en la altura de la madera.

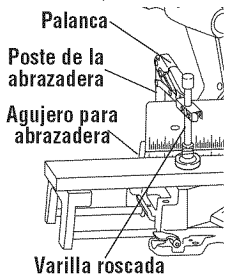
**Abrazadera para la pieza de trabajo (modelo 5312 solamente)**

1. Introduzca el poste de la abrazadera en el agujero para abrazadera.
2. Afloje la tuerca de mariposa, ajuste el brazo a la altura adecuada y apriete firmemente la tuerca de mariposa.
3. Gire el pomo roscado de la abrazadera en el sentido de las agujas del reloj para apretar y en sentido contrario al de las agujas del reloj para aflojar.
4. Mueva el ensamblaje del cabezal para comprobar el espacio libre con la abrazadera.



**Abrazadera de acción rápida (modelo 5412 solamente)**

1. Con la abrazadera en la posición abierta (con la palanca subida), introduzca la abrazadera en el poste de la abrazadera hasta que el pie de goma entre en contacto con el material.
2. Presione hacia abajo sobre la palanca para apretar la abrazadera.
3. Mueva el ensamblaje del cabezal para comprobar el espacio libre con la abrazadera.
4. Tire de la palanca hacia arriba para soltar la abrazadera.



Es posible que haya cortes compuestos extremos en que no se pueda usar una abrazadera. Sujete la pieza de trabajo con la mano fuera de la "Zona de no tocar con la mano". **No intente cortar piezas cortas** que no se puedan fijar con una abrazadera y que puedan hacer que la mano quede dentro de la "Zona de no tocar con la mano".

**Abrazadera horizontal** – La abrazadera horizontal y tope de techo opcional MS 1221 se puede montar a cada lado de la herramienta y sujeta firmemente la pieza de trabajo contra el tope-guía.

**Las abrazaderas convencionales** y otros dispositivos de sujeción se pueden usar para sujetar las piezas de trabajo firmemente contra la mesa y el tope-guía.

**Soporte de piezas de trabajo largas**

**Extensiones de la base deslizantes** – Estas extensiones proporcionan soporte adicional a la pieza de trabajo y son sumamente útiles cuando se cortan piezas largas. Para posicionar las extensiones sólo suelte las palancas de sujeción de las extensiones de la base, ajuste las extensiones y vuelva a fijar las palancas (Figura 20). (También vea tope de longitud en la página 63.)

**Varillas extra largas para extensiones de la base** – El Juego de extensiones de la base MS1222, optativo, permite extender las extensiones de la base 5312 o 5412 hasta 60 pulgadas (1,50 m). Aun después de instalar estas varillas más largas en la base, las extensiones de la base se pueden retraer por completo para su transporte y almacenamiento.

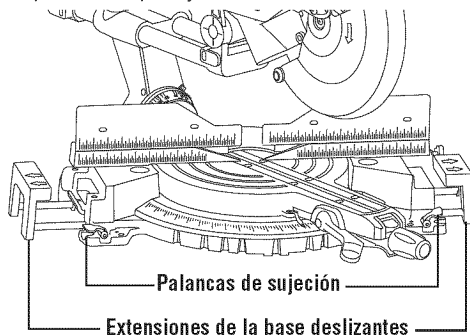


Figura 20. Extensiones de la base deslizantes

**Bloques:** Las piezas de trabajo largas necesitan soporte adicional. La altura de la base (3-3/4") está diseñada para coincidir con la madera estándar de dos bloques de 2x4 y uno de 1x4. Se pueden usar tablas de estos grosores para crear extensiones de soporte auxiliar para piezas de trabajo largas (Figura 21).

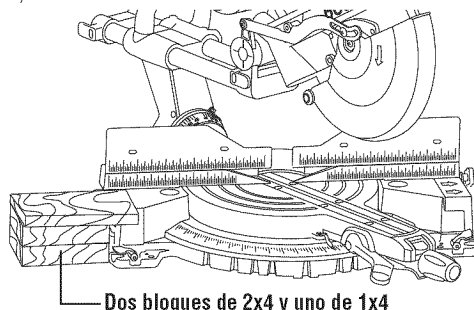


Figura 21. Soporte con bloques



## Operaciones básicas de la sierra

### Tope-guía auxiliar

Ciertos tipos de moldura necesitan una extensión de la cara del tope-guía debido al tamaño y la posición de la pieza de trabajo. El tope-guía cuenta con agujeros para sujetar un tope-guía auxiliar. El tope-guía auxiliar se usa con la sierra en la posición de bisel de 0° solamente.

1. Coloque un pedazo de madera contra el tope-guía de la sierra para cortar ingletes (Figura 22). (La madera puede tener una altura máxima de 4-1/2". Compruebe que el ensamblaje del cabezal no interfiera con el tope-guía auxiliar.)

Para cortar molduras sin producir astillas, fije un tope-guía auxiliar de una pieza de madera y a continuación córtelo aberturas con la sierra para cortar ingletes.

2. Marque las ubicaciones de los agujeros de soporte en la madera desde el lado posterior del tope-guía.

3. Taladre y avellane los agujeros en la parte delantera de la tabla de soporte.

4. Fije cada tope-guía auxiliar con dos (2) tornillos de máquina, de cabeza plana, de 3/16" de pulgada. Con tope-guía auxiliares de 3/4" de pulgada, use tornillos de 1-1/2" pulgada de longitud. Asegúrelos detrás del tope-guía metálico con arandelas y tuercas de máquina.

Alternativa: Para el tope-guía auxiliar de 3/4" de pulgada, use tornillos de madera de cabeza redonda de 1/4" de pulgada por 3/4" de pulgada de longitud. Perfore cuatro (4) agujeros piloto menores de 1/4" de pulgada a través del tope-guía auxiliar, y pase los tornillos por la parte posterior del tope-guía metálico.

5. Haga un corte de profundidad completa para crear la ranura para la hoja. Compruebe si hay interferencia entre el tope-guía auxiliar y el protector inferior de la hoja. Haga ajustes según sea necesario.



**ADVERTENCIA**

Compruebe si alguno de los componentes interfiere.

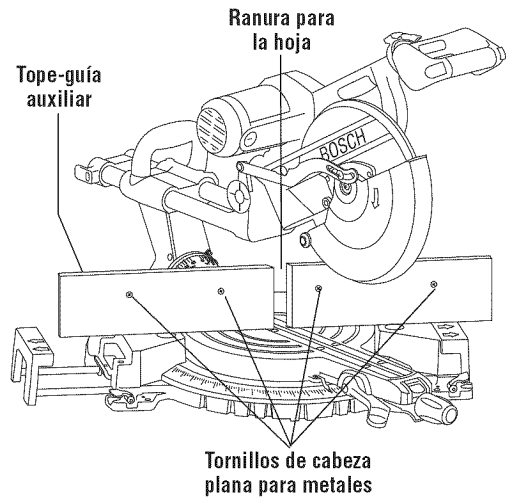


Figura 22. Tope-guía auxiliar

### Activación del interruptor

Por seguridad, la palanca del interruptor está diseñada para evitar arranques accidentales. Para activar el interruptor de seguridad oprima el botón "Fijación en OFF (apagado)" con alguno de sus pulgares para desacoplar el cierre, a continuación tire del gatillo del interruptor de encendido y suelte el botón de liberación de "Fijación en OFF (apagado)" (Figura 23). Al soltar el gatillo del interruptor de encendido, el botón de "Fijación en OFF" del interruptor acoplará en forma automática el interruptor de seguridad, y el gatillo ya no funcionará sino hasta que se oprima de nuevo el botón de "Fijación en OFF".

NOTA: En el gatillo del interruptor se puede insertar un candado de argolla larga de hasta 1/4 de pulgada de diámetro (no suministrado), para evitar el uso no autorizado de la sierra.

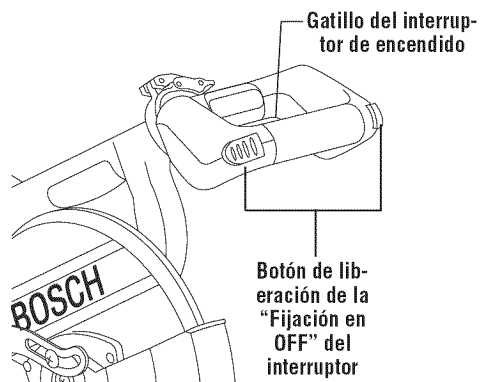


Figura 23. Activación del interruptor

## Operaciones básicas de la sierra

### Sobrecontrol del retén del inglete

La función de sobrecontrol del retén del inglete desactiva el retén y permite ajustes micrométricos a cualquier ángulo de inglete. Cuando el ángulo deseado es demasiado cercano a alguno que tenga una ranura de retén, esta función evita que la cuña del brazo se deslice a la ranura del retén en la base.

1. Suba y sujete el gatillo de retén del inglete que está bajo el brazo de la base.
2. Empuje el clip de sobrecontrol del retén hacia adelante y acóplelo en su sitio sobre el borde. Suelte el gatillo del retén de inglete (Figura 24).
3. Mueva el brazo de inglete hasta cualquier posición en la escala de ingletes.
4. Fije el pomo de fijación de inglete para retener la posición de inglete.

#### Para desacoplarlo:

5. Afloje el pomo de fijación de inglete y suba el gatillo del retén de inglete para soltar el clip de sobrecontrol del retén. El clip debe desacoplarse automáticamente y la mesa se debe fijar en cualquier retén de inglete deseado.

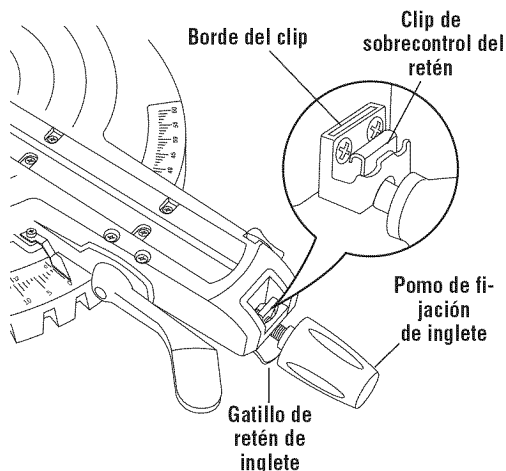


Figura 24. Sobrecontrol del retén

### Topes-guía y extensiones de la base deslizantes



**ADVERTENCIA** Para proporcionar una separación suficiente (mínimo 6 pulgadas) entre la mano y la hoja de la sierra, extienda los topes-guía y extensiones de la base deslizantes cuando haga cortes en bisel, de inglete o compuestos extremos.

Las extensiones de la base también se pueden utilizar para dar soporte adicional a las piezas largas.

#### Base deslizante:

1. Afloje las palancas de sujeción de las extensiones de la base (Figura 25).
2. Extienda las extensiones de la base deslizantes hasta la posición que desee.
3. Oprima hacia abajo las palancas para sujetar las extensiones en su lugar.

#### Tope-guía deslizante:

1. Afloje las perillas de sujeción del tope-guía (detrás del tope).
2. Deslice el tope-guía hasta su posición adecuada.
3. Apriete las perillas para fijar el tope-guía en su lugar.

#### Para quitar temporalmente el tope-guía deslizante:

En el caso de algunos ángulos compuestos extremos es necesario quitar uno de los topes-guía deslizantes.

1. Destornille la perilla del tope-guía hasta que se vea por lo menos 1/2 de pulgada de la rosca.
2. Deslice el tope-guía hasta su posición más central.
3. Levante el tope-guía para quitarlo.

4. Apriete la perilla.

Vuelva a instalar el tope-guía deslizante después de completar el corte.

Invierta este procedimiento para reinstalar el tope-guía deslizante.



**PRECAUCIÓN** Se debe asegurar siempre las extensiones de la base deslizantes y los topes-guía en la posición totalmente hacia adentro durante el transporte.

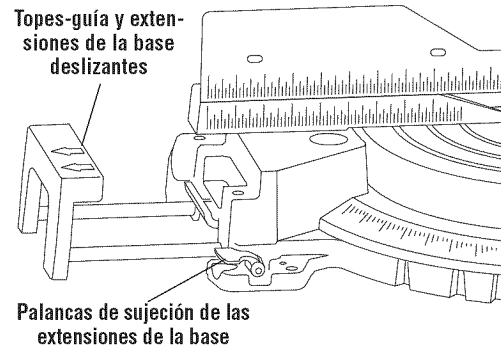


Figura 25. Topes-guía y extensiones de la base deslizantes

Consulte la página 56 para obtener información acerca de otros tipos de soporte de piezas de trabajo.

## Operaciones de la sierra

### Corte de troceado

- Se aprieta el pomo de fijación de los rieles de deslizamiento y se baja el ensamblaje del cabezal para cortar a través de la pieza de trabajo.
- Este tipo de corte se usa principalmente para piezas estrechas.

#### Siga estas instrucciones para hacer un corte de troceado:

1. Deslice el ensamblaje del cabezal hasta la parte trasera tanto como se pueda (Figura 26).
2. Apriete el pomo de fijación de los rieles de deslizamiento (Figura 26).
3. Posicione adecuadamente la pieza de trabajo. Asegúrese de que la pieza de trabajo esté fijada con abrazadera firmemente contra la mesa y el tope-guía.

**ADVERTENCIA** Use una posición de fijación con abrazadera que no interfiera con la operación. Antes de encender la sierra, baje el ensamblaje del cabezal para asegurarse de que la abrazadera no toque ni el protector ni el ensamblaje del cabezal.

4. Active el interruptor. Baje el ensamblaje del cabezal y haga el corte.

5. Espere hasta que la hoja se detenga por completo antes de regresar el ensamblaje del cabezal a la posición subida y/o retirar la pieza de trabajo.

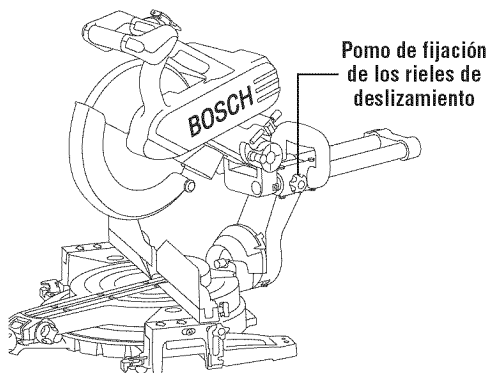


Figura 26. Corte de troceado

### Corte deslizante

- Se afloja el pomo de fijación de los rieles de deslizamiento, se tira del ensamblaje del cabezal hacia el operador, se baja el ensamblaje del cabezal hasta la pieza de trabajo y luego se empuja hacia la parte posterior de la sierra para hacer el corte.
- Este tipo de corte se usa principalmente para piezas anchas.
- Se recomienda un enganche de hoja positivo de 10 grados o más para lograr el mejor rendimiento al hacer cortes agresivos o cortar materiales más gruesos.

**ADVERTENCIA** NUNCA tire de la sierra hacia usted durante un corte. La hoja puede subir repentinamente a la superficie de la pieza de trabajo y llegar hasta usted.

#### Siga estas instrucciones para hacer un corte deslizante:

1. Posicione adecuadamente la pieza de trabajo. Asegúrese de que la pieza de trabajo esté fijada con abrazadera firmemente contra la mesa y el tope-guía.

**ADVERTENCIA** Use una posición de fijación con abrazadera que no interfiera con la operación. Antes de encender la sierra, baje el ensamblaje del cabezal para asegurarse de que la abrazadera no toque ni el protector ni el ensamblaje del cabezal.

2. Afloje el pomo de fijación de los rieles de deslizamiento.
3. Agarre el mango con interruptor y tire del ensamblaje del cabezal alejándolo del tope-guía hasta que la hoja no toque la pieza de trabajo o hasta su extensión máxima si la hoja no puede dejar de tocar la pieza de trabajo (Figura 27).

4. Active el interruptor. Baje el ensamblaje completamente hasta abajo y corte a través del borde de la pieza de trabajo.
5. Empuje (pero no fuerce) el ensamblaje del cabezal hacia el tope-guía hasta la posición completamente hacia atrás para completar el corte.
6. Espere hasta que la hoja se detenga por completo antes de regresar el ensamblaje del cabezal a la posición subida y/o retirar la pieza de trabajo.

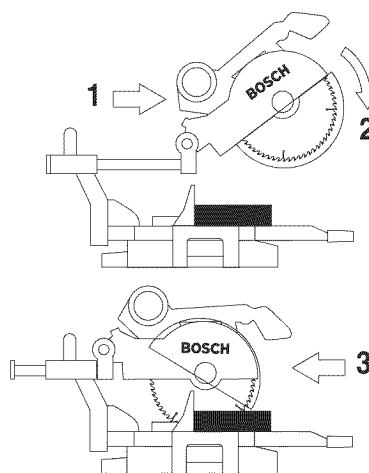


Figura 27. Corte deslizante

## Operaciones de la sierra

### Corte a inglete

- Un “corte a inglete” es uno hecho con la hoja vertical, no inclinada, formando un ángulo horizontal con el tope-guía.
- Un corte a inglete se hace con inclinación de 0° y cualquier ángulo de inglete desde 52° a la izquierda hasta 60° a la derecha.
- La escala de inglete muestra el ángulo que forman la hoja y el tope-guía y está grabada en la mesa para poder leerla con facilidad.
- Se han provisto unos retenes positivos para ingleteado rápido y preciso a 0°, 15°, 22.5°, 31.6° y 45° a la izquierda y a la derecha y a 60° a la derecha.
- Los retenes de moldura de techo (izquierdo y derecho) están a 31.6°. (Consulte la información sobre molduras de techo en la página 65.)
- Para ajustes precisos, en ángulos cercanos a los retenes, use el sobrecontrol del retén para anular el retén. Esto evita que la cuña del gatillo del retén nunca se deslice al retén.
- Un corte a inglete se puede hacer como un corte de troceado o como un corte deslizante según la anchura de la pieza de trabajo.
- Los accesorios de inserción para la separación de corte deben estar tan cerca de la hoja como sea posible sin tocarla (vea Accesorios de inserción para la separación de corte para informarse sobre los procedimientos de ajuste).

#### Siga estas instrucciones para hacer un corte a inglete:

1. Afloje el pomo de fijación del inglete. Suba el gatillo del retén de inglete y mueva la sierra al ángulo deseado, utilizando ya sea los retenes o la escala de ingletes. Apriete el pomo de fijación de inglete (Figura 28).
2. Extienda las extensiones de la base y el tope-guía del lado en el que se va a hacer el corte (vea Topes-guía y extensiones de la base deslizantes en la página 58).

3. Posicione la pieza de trabajo adecuadamente. Asegúrese de que la pieza de trabajo esté fijada con abrazadera firmemente contra la mesa y el tope-guía.

**ADVERTENCIA** Use una posición de fijación con abrazadera que no interfiera con la operación. Antes de encender la sierra, baje el ensamblaje del cabezal para asegurarse de que la abrazadera no toque ni el protector ni el ensamblaje del cabezal.

4. Siga los procedimientos para corte de troceado o corte deslizante (vea la página 59).

5. Espere hasta que la hoja se detenga por completo antes de volver a colocar el ensamblaje del cabezal en la posición subida y/o retirar la pieza de trabajo.

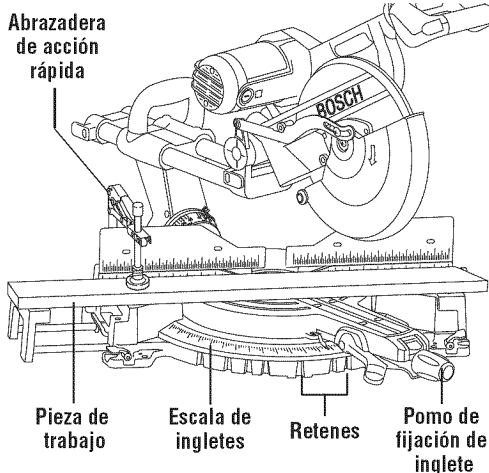


Figura 28. Corte a inglete

### Corte en bisel

- Un “corte en bisel” es uno hecho con la hoja perpendicular al tope-guía, pero en posición inclinada y no vertical.
  - Un corte en bisel se hace a un inglete de 0° y cualquier ángulo de bisel en el intervalo de -47° a 47°.
  - La escala de bisel tiene un tamaño y una posición adecuados para su fácil lectura.
  - La perilla selectora de intervalo de bisel, ubicada en la parte delantera, permite tres opciones de intervalo.
  - Hay topes de bisel ajustados de fábrica a 0° y 45° en los lados izquierdo y derecho (consulte la sección de Ajustes, si se requiere ajustar).
  - También hay tres topes positivos de bisel para moldura de techo a 33.9° a la izquierda y a la derecha. Desactive este tope a menos que use el ángulo de 33.9° (consulte los detalles en Corte de moldura de techo).
1. Suba el gatillo de fijación de bisel para aflojarlo. Elija el intervalo de bisel que necesite con la perilla selectora. Si está en la posición de 0° y se mueve al intervalo de 0 a 45° derecho, o al intervalo de 47 a -47°, podrá necesitarse mover un poco hacia la izquierda el ensamblaje del cabezal para poder girar la perilla selectora. La perilla selectora de intervalo de bisel puede quedar inmovilizada y no cambiar de intervalo si aplica presión al conjunto de corte.

### Intervalo de biseles 1 = 45° a la izquierda hasta 0°

Este intervalo de biselés izquierdos es el ajuste predeterminado.

#### Para trabajar en el intervalo 1:

1. Mueva el tope-guía deslizante izquierdo de modo que no estorbe el conjunto de la sierra y vuelva a fijarlo (Figura 29).
2. Suba la palanca de fijación de bisel hasta la altura de la mesa con la mano izquierda (Figura 30).
3. Sujete el mango delantero de transporte con la mano derecha e incline el cabezal de la sierra hasta el ángulo que desee.
4. Una vez alcanzada la posición deseada para el bisel, apriete firmemente hacia abajo la palanca de fijación de bisel hasta que quede bajo el nivel de la mesa (Figura 29).

Sin encender la sierra, ensaye la acción de corte, para asegurarse de que el tope-guía no estorbe los protectores, y haga los ajustes necesarios.

### Intervalo de biselés 2 = 0° a 45° a la derecha

#### Para trabajar en el intervalo 2:

1. Mueva el tope-guía deslizante derecho de modo que no estorbe el conjunto de la sierra, y vuelva a fijarlo (Figura 29).
2. Suba la palanca de fijación hasta la altura de la mesa con la mano izquierda (Figura 30).
3. Sujete el mango de transporte delantero con la mano izquierda, e incline un poco el cabezal de la sierra hacia la izquierda, mientras gira la perilla selectora de intervalo de biselés, con tensión de resorte, con la mano derecha hasta que la flecha de la mesa quede alineada con el símbolo "45-0°" (Figura 31). Ahora se podrá inclinar el ensamblaje de la sierra a un ángulo de bisel derecho hasta el tope de 45°.
4. Una vez alcanzada la posición deseada para el bisel, apriete hacia abajo la palanca de fijación de bisel hasta que quede bajo el nivel de la mesa.

NOTA: Cuando se inclina el ensamblaje de la sierra a la izquierda, pasando el 0°, la perilla de control de bisel regresará al intervalo predeterminado 1. Esto está diseñado para recuperar el tope de biselés predeterminado en la importante posición de 0°.

### Intervalo de biselés 3 = 47° a la izquierda hasta 47° a la derecha

Este ajuste para toda la capacidad de biselés anula todos los topes preestablecidos y permite cortar a ángulos mayores que el de 45° normal, a cada lado.

#### Para trabajar en el intervalo 3:

1. Mueva los topes-guía deslizantes izquierdo y derecho de modo que no estorben el conjunto de la sierra y vuelva a fijarlos (Figura 29).
2. Suba la palanca de fijación de bisel hasta la altura de la mesa con la mano izquierda (Figura 30).
3. Sujete el mango delantero de transporte con la mano izquierda e incline un poco hacia la izquierda el cabezal de la sierra, mientras gira la perilla selectora de intervalo de biselés, con tensión de resorte, con la mano derecha hasta

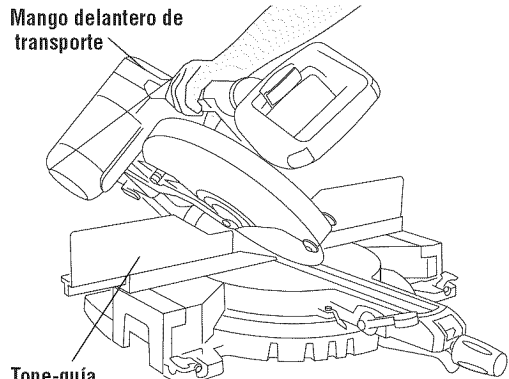
que la flecha de la mesa quede alineada con el símbolo "47-47°" (Figura 31). Ahora se podrá inclinar el ensamblaje de la sierra en cualquier ángulo, desde 47° a la izquierda hasta 47° a la derecha.

4. Una vez alcanzada la posición deseada para el bisel, apriete firmemente hacia abajo la palanca de fijación de bisel hasta que quede bajo el nivel de la mesa.

#### Para hacer el corte en bisel, siga estas instrucciones:

5. Saque las extensiones de la base y el tope-guía del lado en el que se va a hacer el corte (vea Tope-guía y extensiones de la base deslizantes en la página 58).
  6. Posicione la pieza de trabajo adecuadamente. Asegúrese de que la pieza de trabajo esté fijada con abrazadera firmemente contra la mesa y el tope-guía.
- Use una posición de fijación con abrazadera que no interfiera con la operación. Antes de encender la sierra, baje el ensamblaje del cabezal para asegurarse de que la abrazadera no toque ni el protector ni el ensamblaje del cabezal.
7. Siga los procedimientos para un corte de troceado o un corte deslizante (vea la página 59).
  8. Espere hasta que la hoja se detenga por completo antes de volver a colocar el ensamblaje del cabezal en la posición subida y/o retirar la pieza de trabajo.

#### Mango delantero de transporte



Tope-guía deslizante

Figura 29.

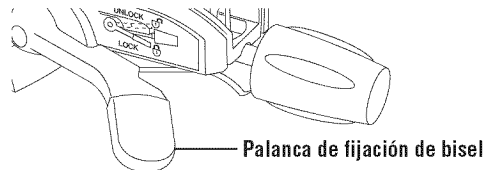


Figura 30.

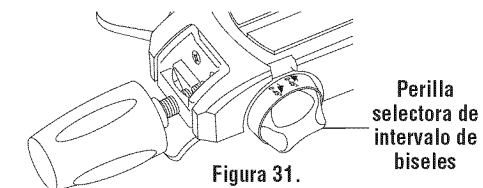


Figura 31.

Perilla selectora de intervalos de biselés

## Operaciones de la sierra

### Cortes compuestos

- Un “corte compuesto” es el que se hace con la hoja formando un ángulo horizontal con el tope-guía (corte oblicuo o ángulo de inglete), y al mismo tiempo inclinada hacia fuera respecto a la vertical (ángulo de bisel).
- Un corte compuesto es un corte que requiere tanto una posición de inglete como una de bisel.
- Un corte compuesto se puede hacer como un corte de troceado o como un corte deslizante según la anchura de la pieza de trabajo.
- Como puede que se necesiten varios intentos para lograr el ángulo compuesto deseado, realice cortes de prueba en material de desecho antes de hacer el corte.

#### Siga estas instrucciones para hacer un corte compuesto:

1. Saque las extensiones de la base y los topes-guía del lado en el que se hará el corte (vea Topes-guía y extensiones de base deslizantes en la página 58).
2. Posicione la pieza de trabajo adecuadamente. Asegúrese de que la pieza de trabajo esté fijada con abrazadera firmemente contra la mesa y el tope-guía.

**▲ ADVERTENCIA** Use una posición de fijación con abrazadera que no interfiera con la operación. Antes de encender la sierra, baje el ensamblaje del cabezal para asegurarse de que la abrazadera no toque ni el protector ni el ensamblaje del cabezal.

3. Ajuste los ángulos de corte a inglete y en bisel siguiendo las instrucciones de las páginas 60 y 61, respectivamente.
4. Siga los procedimientos para un corte de troceado o un corte deslizante (vea la página 59).

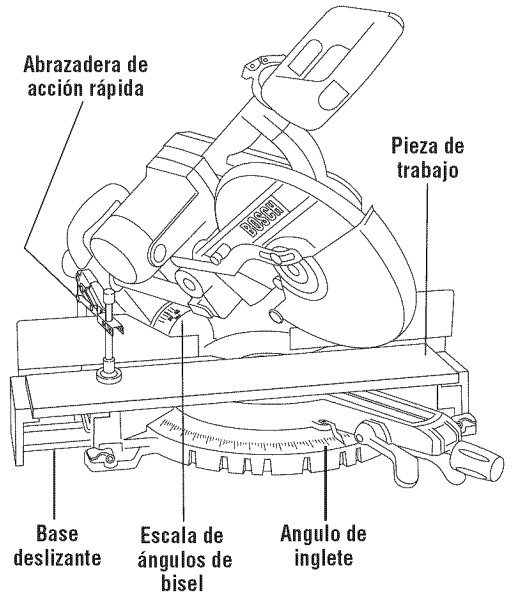


Figura 32. Corte compuesto

## Operaciones de la sierra

### Corte de ranuras

- El ajuste del tope de profundidad es una función que se usa para cortar ranuras en la pieza de trabajo.
  - El ajuste de profundidad se usa para limitar la profundidad de la hoja para cortar ranuras.
  - La ranura se debe hacer con corte deslizante.
1. Para los ajustes principales, oprima el botón de liberación de tope de profundidad, y deslice el perno de tope de profundidad hasta llegar a la posición deseada (Figura 33).
  2. Para los ajustes pequeños, sólo gire el perno de tope de profundidad hasta llegar a la posición deseada.
  3. Apriete la tuerca estriada.
  4. Corte las dos ranuras exteriores.
  5. Use un cincel para madera o haga múltiples pasadas deslizando la madera hacia un lado para quitar el material que está entre las ranuras exteriores (Figura 33a).

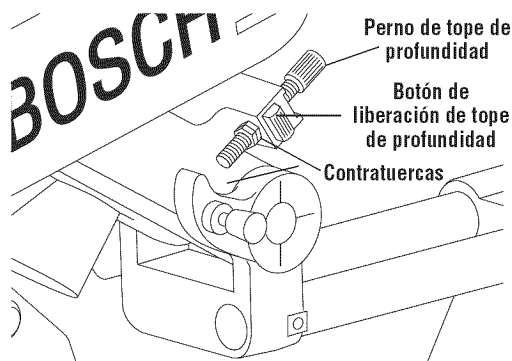


Figura 32. Corte de ranuras

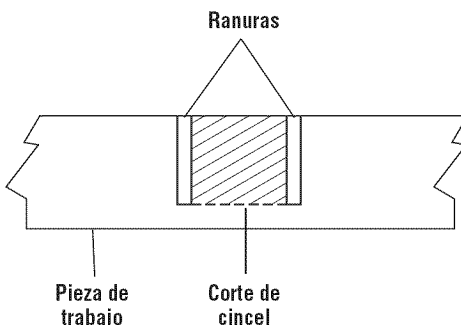


Figura 33a. Ranura cortada de modo basto

### Tope de longitud (modelo 5412 solamente)

Al hacer cortes repetitivos de la misma longitud se puede usar el tope abatible de longitud de la unidad.

Para habilitar el tope, sencillamente destornille la perilla, voltee el tope a su posición y apriete la perilla (Figura 34).

1. Para ajustar la longitud de corte, destrabe la palanca de sujeción de extensión de la base, cambie la posición de la extensión de la base y del tope de longitud y vuelva a fijar las palancas.
2. La longitud máxima que se puede cortar usando el tope de longitud es de 50 cm (20 pulgadas), aproximadamente.

Si se desea, se puede mover el tope de longitud y su perilla a la extensión izquierda de la base. También se puede instalar el Juego de tope de longitud MS1223 opcional en el lado izquierdo para tener topes en ambos lados de la sierra.

Para aumentar la longitud de corte usando el tope de longitud, cambie las varillas de la extensión de la base de la herramienta por el Juego de varillas extra largas de base MS1222 opcional, que aumenta hasta unos 75 cm (30 pulgadas) la longitud máxima que se puede cortar en cualquiera de los lados de la herramienta.

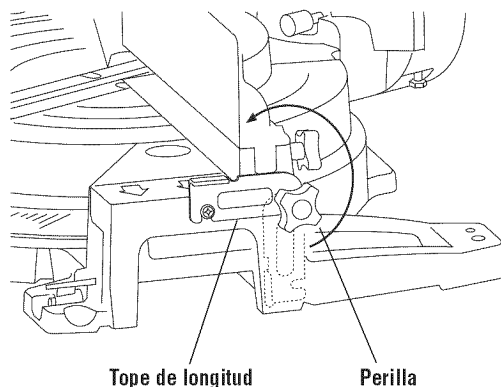


Figura 34. Tope de longitud

## Operaciones de la sierra

### Corte de moldura de base

- Las molduras de base se pueden cortar en dirección vertical afirmándolas contra el tope-guía u horizontal sobre la mesa. El tamaño máximo vertical contra el tope-guía es de (4-1/4 pulgadas), 0 (10-1/4 pulgadas) horizontal sobre la mesa.
- Consulte la tabla siguiente para obtener consejos útiles sobre el corte de molduras de base con esquinas de 90°.
- El corte de moldura de base se puede hacer como un corte de troceado o como un corte deslizante según la anchura de la pieza de trabajo.

INSTRUCCIONES PARA EL CORTE DE MOLDURA DE BASE					
POSICIÓN DE LA MOLDURA EN LA SIERRA		Moldura en posición vertical: La parte posterior de la moldura está contra el tope-guía		Moldura en posición horizontal: La parte posterior de la moldura está horizontal sobre la mesa	
Angulo de bisel		Bisel = 0°		Bisel = 45°	
Moldura que se corta		Izquierda de la esquina	Derecha de esquina	Izquierda de la esquina	Derecha de esquina
<b>Esquina interior de la pared</b> 	Angulo de inglete	Izquierda a 45°	Derecha a 45°	0°	0°
	Posición de la moldura en la sierra	Parte inferior contra la mesa	Parte inferior contra la mesa	Parte superior contra el tope-guía	Parte inferior contra el tope-guía
	Lado acabado	Conservar el lado izquierdo del corte	Conservar el lado derecho del corte	Conservar el lado izquierdo del corte	Conservar el lado izquierdo del corte
<b>Esquina exterior de la pared</b> 	Angulo de inglete	Derecha a 45°	Izquierda a 45°	0°	0°
	Posición de la moldura en la sierra	Parte inferior contra la mesa	Parte inferior contra la mesa	Parte inferior contra el tope-guía	Parte superior contra el tope-guía
	Lado acabado	Conservar el lado izquierdo del corte	Conservar el lado derecho del corte	Conservar el lado derecho del corte	Conservar el lado derecho del corte

### Corte de moldura de techo

- Una moldura de techo debe cortarse y posicionarse bien para que ajuste con exactitud.
- Hay dos maneras de cortar molduras de techo: horizontal sobre la mesa, o en ángulo respecto a la mesa y al tope-guía.
- El “ángulo de cara” de las molduras de techo es el que forma la parte posterior de la moldura y la superficie plana inferior que ajusta contra la pared.
- Esta sierra de ingletes tiene retenes especiales de inglete a 31.6° y de bisel a 33.9°. Estos retenes permiten posicionar con facilidad la mayor parte de las molduras de techo horizontal sobre la mesa y hacer cortes precisos para esquinas de 90°. (Estos retenes sólo se deben usar con molduras de techo que tengan un “ángulo de cara” de 38°). NOTA: Estos retenes no se pueden usar con molduras de techo de 45°.
- Vea también en las páginas 65 y 66 las tablas de ángulos de inglete y de bisel para cortar molduras de techo que tengan ángulos de cara de 38° y 45°, afirmando el material horizontal sobre la base de la sierra. Cada tabla tiene los ajustes exactos que se requieren en el inglete y en el bisel, para una gran cantidad de ángulos de esquina.
- Aun cuando esos ángulos son los normales, la mayor parte de las habitaciones no tienen ángulos exactos de 90°, por lo que deberá usted hacer ajustes finos.

El Transportador digital opcional Bosch DAF220K MiterFinder mide ángulos de cara y de esquina y determina automáticamente con exactitud los ajustes del inglete y del bisel necesarios para que cada moldura de techo cortada ajuste a la perfección.



## Operaciones de la sierra

### Moldura de techo colocada horizontalmente sobre la mesa

#### Siga estas instrucciones para cortar moldura de techo:

Notas: Coloque la pieza con su parte posterior recargada de forma horizontal sobre la mesa de la sierra.

Ponga siempre la orilla superior de la moldura contra el tope-guía (con el lado decorativo hacia la parte inferior de la moldura de techo.)

“Ángulo de cara” es el que forman la pared y la moldura de techo.

El corte de una moldura de techo en posición horizontal sobre la mesa se puede hacer como un corte de troceado (pasante) o como un corte deslizante (de ranura), dependiendo del ancho de la pieza de trabajo.

1. Para una esquina de 90°, establezca los ángulos de inglete y de bisel de acuerdo con las tablas de abajo. Apriete el pomo de fijación de inglete y la palanca de fijación de bisel (Figura 35).
2. Posicione la moldura sobre la mesa de la sierra. Sujete la pieza en su lugar con la abrazadera de acción rápida.

**⚠ ADVERTENCIA** Use una posición de fijación con abrazadera que no interfiera con la operación. Antes de encender la sierra, baje el ensamblaje del cabezal para asegurarse de que la abrazadera no toque ni el protector ni el ensamblaje del cabezal.

3. Siga los procedimientos para corte de troceado o para corte deslizante (vea la página 59).

4. Espere hasta que la hoja se detenga por completo antes de volver a colocar el ensamblaje del cabezal en la posición subida y/o retirar la pieza de trabajo.

**NOTA: HAGA SIEMPRE UN CORTE DE PRUEBA USANDO MADERA DE DESECHO PARA CONFIRMAR QUE LOS ÁNGULOS SON CORRECTOS.**

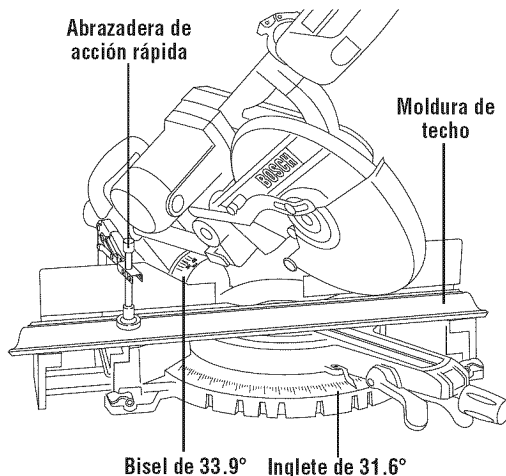


Figura 35. Moldura de techo colocada horizontalmente

### Ajustes de ingletes y biseles para cortes en molduras de techo normales

(Cuando la moldura de techo está horizontal sobre la mesa)

Condiciones: La moldura tiene un perfil constante. La esquina tiene 90° exactamente.

El ángulo de cara de la moldura es 38 grados			
	Ajuste del inglete (mesa)		Ajuste del bisel (inclinación)
<b>Esquina interior</b>			
Extremo izquierdo (A)	(31.6) Derecha	(33.9)	Izquierda
Use el extremo izquierdo del corte			
Extremo derecho (B)	(31.6) Izquierda	(33.9)	Derecha
Use el extremo derecho del corte			
<b>Esquina exterior</b>			
Extremo izquierdo (C)	(31.6) Izquierda	(33.9)	Derecha
Use el extremo izquierdo del corte			
Extremo derecho (D)	Derecha (31.6)	(33.9)	Izquierda
Use el extremo derecho del corte			

El ángulo de cara de la moldura es 45 grados			
	Ajuste del inglete (mesa)		Ajuste del bisel (inclinación)
<b>Esquina interior</b>			
Extremo izquierdo (A)	(35.3) Derecha	(30.0)	Izquierda
Use el extremo izquierdo del corte			
Extremo derecho (B)	(35.3) Izquierda	(30.0)	Derecha
Use el extremo derecho del corte			
<b>Esquina exterior</b>			
Extremo izquierdo (C)	(35.3) Izquierda	(30.0)	Derecha
Use el extremo izquierdo del corte			
Extremo derecho (D)	(35.3) Derecha	(30.0)	Izquierda
Use el extremo derecho del corte			

## Operaciones de la sierra

### Moldura de techo en ángulo respecto a la mesa y al tope-guía

El método preferido para cortar la moldura de techo con esta sierra es con la moldura situada en posición horizontal sobre la mesa.

- La ventaja de cortar molduras en ángulo contra el tope-guía es que no se requiere ajustar el ángulo de bisel. Sólo se ajusta el ángulo de inglete.
- El ancho máximo de moldura de techo que se puede cortar, recargando en la mesa y en el tope-guía, es 15 cm (6 pulgadas).
- Cuando se corta la moldura de techo de esta forma, se recomienda comprar el Accesorio MS 1221, de abrazadera horizontal y tope de moldura de techo, que se suministra en forma opcional.

#### Siga estas instrucciones para cortar moldura de techo en ángulo respecto a la mesa y al tope-guía.

1. Posicione la moldura de modo que la parte inferior (la parte decorativa, que se instala contra la pared) esté contra el tope-guía.
2. Para una esquina de 90°, ajuste el ángulo de inglete de acuerdo con la tabla de abajo. Apriete el pomo de fijación de inglete (Figura 36).
3. Soporte la moldura de techo contra el tope-guía (vea "Posición del cuerpo y de las manos" en la página 55).
4. Siga los procedimientos para corte de troceado o corte deslizante (vea la página 59).
5. Espere hasta que la hoja se detenga por completo antes de

volver a colocar el ensamblaje del cabezal en la posición subida y/o retirar la pieza de trabajo.

**NOTA: HAGA SIEMPRE UN CORTE DE PRUEBA USANDO MADERA DE DESECHO PARA CONFIRMAR QUE LOS ANGULOS SON CORRECTOS.**

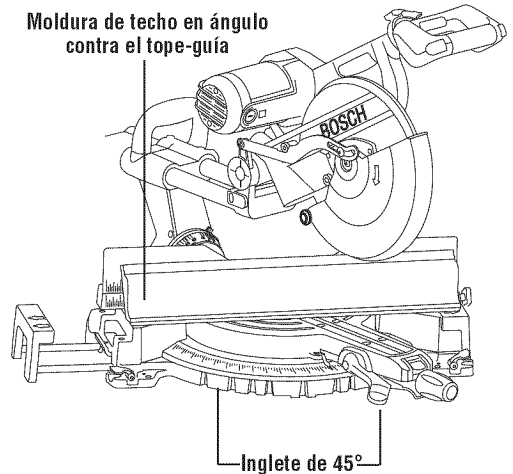


Figura 36. Moldura de techo en ángulo respecto a la mesa y al tope-guía

### Ajustes de ingletes y biseles para cortes en molduras normales de techo (Cuando la pieza está en ángulo contra el tope-guía)

**Condiciones:** La moldura tiene un perfil constante..

- La esquina es de 90 grados..
- Para otros ángulos de esquina, divida el ángulo real por 2.

Para cualquier moldura de techo			
	Ajuste del inglete (mesa)	Ajuste del bisel (inclinación)	
<b>Esquina interna</b>			
Extremo izquierdo (A) Use el extremo derecho del corte	(45) Derecha	0 Izquierda	
Extremo derecho (B) Use el extremo izquierdo del corte	(45) Izquierda	0 Derecha	
<b>Esquina externa</b>			
Extremo izquierdo (C) Use el extremo derecho del corte	(45) Izquierda	0 Derecha	
Extremo derecho (D) Use el extremo izquierdo del corte	(45) Derecha	0 Izquierda	

## Operaciones de la sierra

### Cortes especiales

Los cortes de material arqueado y de material redondo son solamente dos ejemplos de cortes especiales.

#### Corte de material arqueado

**ADVERTENCIA** Si la pieza de trabajo está arqueada o combada, fíjela con abrazadera con la cara exterior arqueada orientada hacia el tope-guía. Asegúrese siempre de que no haya espacio libre entre la pieza de trabajo, el tope-guía y la mesa a lo largo de la línea de corte. Las piezas de trabajo dobladas o combadas pueden torcerse u oscilar y pueden causar atasco en la hoja de sierra que gira durante el corte (Figura 37).

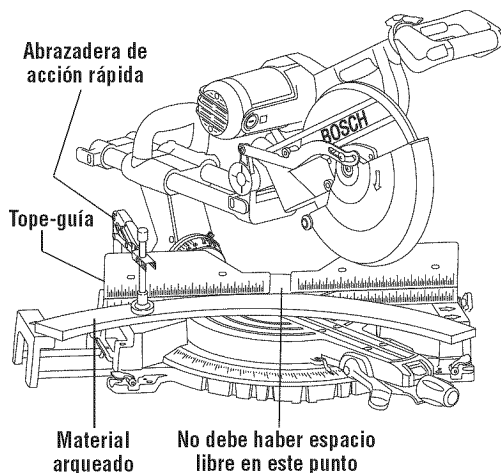


Figura 37. Material arqueado

#### Corte de material redondo o que tenga forma irregular

**ADVERTENCIA** Para material redondo, tal como varillas con espiga o tubos, use siempre una abrazadera o un dispositivo de sujeción diseñado para fijar la pieza de trabajo firmemente contra el tope-guía y la mesa. Las varillas tienen tendencia a rodar mientras son cortadas, haciendo que la hoja "muerda" y tire de la pieza de trabajo con la mano del operador hacia la hoja (Figura 38).

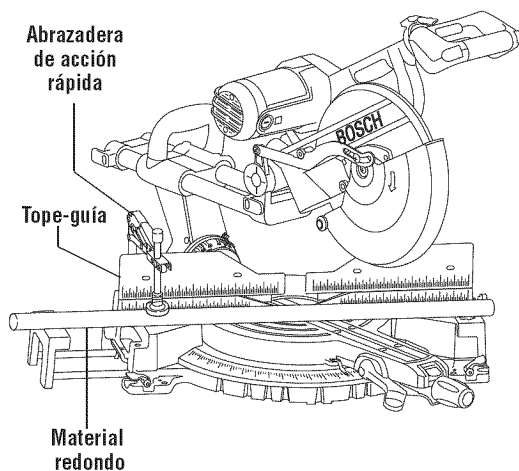
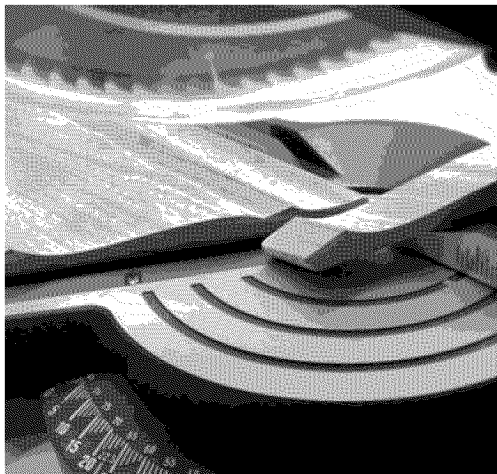


Figura 38. Material redondo

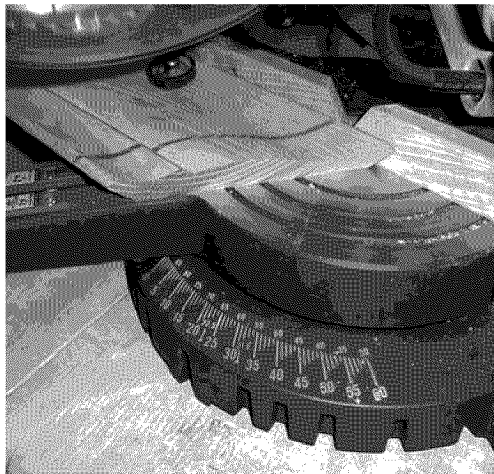
**ADVERTENCIA** Cuando haga un corte compuesto en una moldura ubicada en posición plana sobre la mesa, las piezas de corte estrechas (de 2" de ancho o menos) pueden ser propulsadas a alta velocidad

Figura 1



sobre el tope-guía y más allá de la parte trasera de la herramienta (ver la Figura 1). Use el tope-guía auxiliar de acuerdo con las instrucciones y de la manera que se muestra en las figuras que aparecen a continuación.

Figura 2



Se utiliza un tope-guía auxiliar para añadir soporte a la pieza de trabajo de corte, como una moldura de corona grande ubicada en posición plana sobre la mesa (vea la página 65). Este tope-guía auxiliar reducirá el astillado y el movimiento de la pieza de corte de madera no soportada después de realizar el corte.

#### Elaboración de un tope-guía auxiliar:

Piezas requeridas:

Tabla de madera (descrita más adelante)

4 tornillos para metales de cabeza plana de 1/4" de diámetro; 3 pulgadas de longitud

4 arandelas planas de 1/4"

4 tuercas

1. **Corte** una tabla de madera de 1 x 2 pulgadas nominales para que tenga una longitud de 25-3/16". Nota: 1 x 2 pulgadas nominales equivalen a 3/4" x 1-1/2" reales. Esta tabla se puede sustituir con madera contrachapada de 3/4" cortada con el tamaño deseado.
2. **Haga** 4 agujeros a través de la tabla utilizando una broca taladradora de 5/16" de diámetro. Avellane los agujeros con una profundidad suficiente como para que los tornillos de

cabeza plana descansen por debajo de la superficie de trabajo delantera. Use una broca taladradora de 1/2" de diámetro. Vea la figura 3.

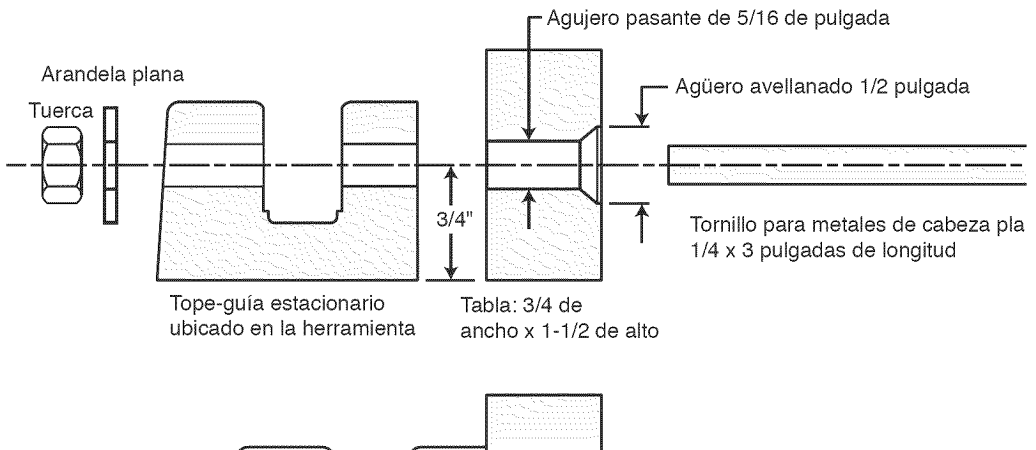
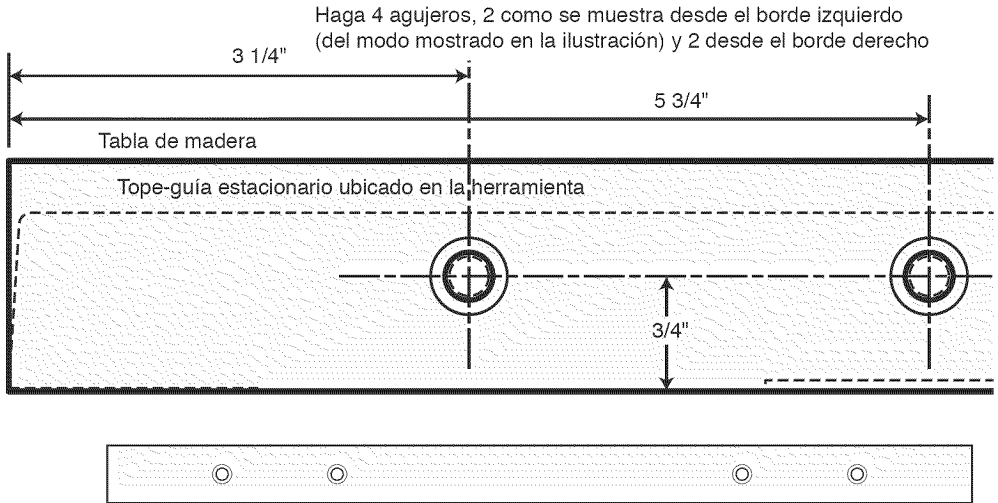
Quite los topes-guía deslizantes de la herramienta. Vea la página 56.

1. Coloque los tornillos de cabeza plana a través de los agujeros del tope-guía auxiliar y luego a través de los agujeros del tope-guía estacionario que está en la herramienta.
2. Coloque las arandelas y las tuercas sobre las roscas de los tornillos y contra el tope-guía estacionario. Apriete las tuercas. Vea la figura 4.

#### Uso del tope-guía auxiliar por primera vez:

Nota: La primera vez que se use el tope-guía auxiliar, la hoja de sierra lo atravesará con un corte pasante; el corte pasante crea una holgura mínima que reduce el astillado en la pieza de trabajo. Ajuste el ángulo de inglete y el ángulo de bisel requeridos antes de hacer el primer corte. Sujete con abrazaderas la pieza de trabajo y luego haga el corte. Ejemplo: Corte compuesto de moldura de corona grande ubicada en posición plana sobre la mesa. Vea la figura 2.

Figura 3



## Mantenimiento y lubricación

### Servicio

**ADVERTENCIA** El mantenimiento preventivo realizado por personal no autorizado puede dar lugar a la colocación incorrecta de cables y componentes internos que podría constituir un peligro serio. Recomendamos que todo el servicio de las herramientas sea realizado por un Centro de servicio de fábrica Bosch o por una Estación de servicio Bosch autorizada.

#### Escobillas de carbón

Las escobillas y el conmutador de la herramienta han sido diseñados para muchas horas de servicio fiable. Para mantener un rendimiento óptimo del motor, recomendamos que cada dos a seis meses se examinen las escobillas. Sólo se deben usar escobillas de repuesto Bosch genuinas diseñadas específicamente para su herramienta.

#### Cambio de las escobillas del motor

Para inspeccionar o cambiar las escobillas:

1. Desenchufe la sierra.

**ADVERTENCIA** La tapa de las escobillas está accionada por resorte por el ensamblaje de las escobillas.

2. Quite la tapa de las escobillas que está en el motor usando un destornillador de hoja plana ancha.
3. Tire de la escobilla para sacarla (Figura 39). Repita la operación para el lado contrario.

NOTA: Si instala la escobilla o escobillas existentes, asegúrese de que la escobilla entre del mismo modo en que salió. De lo contrario, se producirá un período de rodaje que reducirá el rendimiento del motor y aumentará el desgaste de las escobillas.

4. Inspeccione las escobillas para comprobar si están desgastadas. En el lado ancho y plano de la escobilla hay una línea de límite de desgaste. Si la cara de contacto de la escobilla está en el límite o más allá de éste (no se ve la línea), cambie el juego de escobillas.
5. Instale la escobilla nueva. Las dos (2) lengüetas del terminal de la escobilla van en el mismo agujero en que se acopla la pieza de carbón.
6. Apriete la tapa de las escobillas pero no la apriete demasiado.

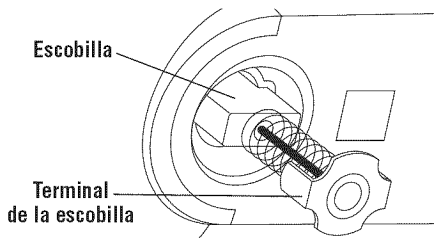


Figura 39. Escobilla del motor

#### Banda motriz

La banda motriz es un componente que requiere mantenimiento normal y debe revisarse en forma periódica para comprobar su desgaste. Se debe cambiar si muestra sequedad, agrietamiento o desgarres. Si se sale de las poleas, se debe reemplazar.

1. Para instalar una banda nueva:
2. Afloje los dos tornillos y quite la cubierta de la banda motriz.
3. Corte y quite la banda gastada (Figura 40). Antes de instalar la nueva, limpie muy bien las dos poleas.
4. Primero ponga la nueva banda en la polea motriz, a continuación gire ésta en sentido de las agujas del reloj y al mismo tiempo empuje la banda en la polea conducida.
5. Vuelva a instalar la cubierta de la banda y apriete firmemente los tornillos.

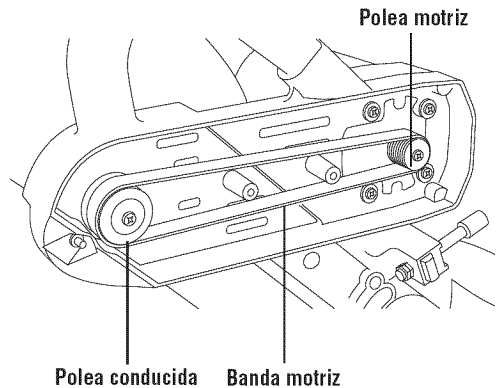


Figura 40. Cambios de banda

#### Limpieza

**ADVERTENCIA** Para evitar accidentes desconecte siempre la herramienta de la fuente de energía antes de la limpieza o de la realización de cualquier mantenimiento. La herramienta se puede limpiar más eficazmente con aire comprimido seco. Use gafas de seguridad siempre que limpie herramientas con aire comprimido.

Las aberturas de ventilación y las palancas de interruptor deben mantenerse limpias y libres de materias extrañas. No intente limpiar introduciendo objetos puntiagudos a través de las aberturas.

Revise periódicamente para asegurarse de que el protector inferior y todas las piezas móviles estén funcionando en forma adecuada.

Saque el serrín acumulado en las piezas que están trabajando, soplando con aire a presión o limpiando con un paño húmedo.

**PRECAUCION**

Ciertos agentes de limpieza y disolventes dañan las piezas de plástico. Algunos de estos son: gasolina, tetracloruro de carbono, disolventes de limpieza clorados, amoníaco y detergentes domésticos que contienen amoníaco.

**Cuidado de las hojas**

Las hojas se desafilan incluso al cortar madera normal. Si usted tiene que forzar la sierra hacia adelante para que corte, en vez de simplemente guiarla a través del corte, lo más probable es que la hoja esté desafilada o cubierta de resina de madera.

Cuando limpie la hoja para quitarle la goma y la resina de madera, desenchufe la sierra y quite la hoja. Recuerde, las hojas están diseñadas para cortar, así que manipúlelas cuidadosamente. Limpie la hoja con queroseno o con un disolvente similar para eliminar la goma y la resina. A menos que usted

tenga experiencia en afilar hojas, le recomendamos que no lo intente.

**Lubricación de las herramientas**

Su herramienta Bosch ha sido lubricada adecuadamente y está lista para la utilización. Se recomienda que las herramientas con engranajes se vuelvan a engrasar con un lubricante especial para engranajes en cada cambio de escobillas.

Lubrique periódicamente las piezas en movimiento con silicona, o un rocío de aceite liviano. No utilice grasa porque tiende a atraer y retener el serrín

**Cojinetes**

Todos los cojinetes de esta herramienta están lubricados con una cantidad suficiente de lubricante de alto grado para la vida de la unidad en circunstancias normales de funcionamiento. No se requiere lubricación adicional.

**Localización y reparación de averías****Guía de localización y reparación de averías eléctricas**

PROBLEMA	CAUSA	MEDIDA DE CORRECCION
El freno no detiene la hoja al cabo de 5 segundos.	<ol style="list-style-type: none"> <li>Escobillas no asentadas o que se pegan ligeramente o gastadas.</li> <li>Motor recalentado debido al uso de una hoja desafilada o al uso demasiado pesado de una hoja, al uso de un accesorio no recomendado o a la realización de ciclos rápidos de encendido y apagado.</li> <li>Perno de la hoja flojo.</li> <li>Otra.</li> </ol>	<ul style="list-style-type: none"> <li>Inspeccione/limpie o cambie las escobillas (vea la sección Mantenimiento).</li> <li>Use una hoja afilada.</li> <li>Use una hoja recomendada.</li> <li>Deje que la sierra se enfríe.</li> <li>Apriete el perno de la hoja.</li> <li>Servicio autorizado.</li> </ul>
El motor no arranca.	<ol style="list-style-type: none"> <li>Compruebe que la unidad esté enchufada.</li> <li>Fusible de fuente de energía o de acción retardada.</li> <li>Escobillas desgastadas.</li> <li>El mango no está en la posición correcta.</li> <li>Otra.</li> </ol>	<ul style="list-style-type: none"> <li>Enchufe la unidad. Use otro tomacorriente.</li> <li>Fusible de acción retardada o cortacircuito de 15 A.</li> <li>Vea Cambio de las escobillas en la sección Mantenimiento y lubricación.</li> <li>Asegure el mango en una de las cuatro posiciones correctas.</li> <li>Servicio autorizado.</li> </ul>
Se produce un destello de luz proveniente de la tapa de extremo del motor cuando suelta el interruptor.	<ol style="list-style-type: none"> <li>Normal. El freno automático funciona adecuadamente.</li> </ol>	

## Localización y reparación de averías

### Guía de localización y reparación de averías generales

PROBLEMA	CAUSA	MEDIDA DE CORRECCION
El ensamblaje del cabezal no se inclina hasta la posición deseada.	<ol style="list-style-type: none"> <li>1. Está puesto el tope de bisel de 33.9°.</li> <li>2. El ajuste de la perilla de sobrecontrol de retenes de bisel limita el movimiento.</li> </ol>	<ul style="list-style-type: none"> <li>- Tire del tope de 33.9° y gírelo 90°.</li> <li>- Cambie el ajuste de sobrecontrol de retenes de bisel.</li> </ul>
La hoja golpea la mesa.	<ol style="list-style-type: none"> <li>1. Desalineación.</li> </ol>	<ul style="list-style-type: none"> <li>- Servicio autorizado.</li> </ul>
El ángulo de corte no es preciso.	<ol style="list-style-type: none"> <li>1. Desalineación.</li> </ol>	<ul style="list-style-type: none"> <li>- Vea la sección Ajustes.</li> </ul>
No se puede mover el ajuste de ingletes.	<ol style="list-style-type: none"> <li>1. Pomo de fijación apretado/retén acoplado</li> <li>2. Serrín debajo de la mesa.</li> <li>3. La hoja interfiere con el tope-guía.</li> </ol>	<ul style="list-style-type: none"> <li>- Afloje el pomo de fijación/muévalo hacia afuera del retén.</li> <li>- Limpie el polvo por aspiración o con chorro de aire. Use protección para los ojos.</li> <li>- Servicio autorizado.</li> </ul>
El ensamblaje del cabezal no sube completamente o el protector de la hoja no se cierra completamente.	<ol style="list-style-type: none"> <li>1. Fallo de pieza.</li> <li>2. Resorte del pivote o resorte del protector no colocado adecuadamente después del servicio de ajustes y reparaciones.</li> <li>3. No se apretó la placa de cubierta después de cambiar la hoja.</li> <li>4. Acumulación de serrín.</li> </ol>	<ul style="list-style-type: none"> <li>- Servicio autorizado</li> <li>- Servicio autorizado.</li> <li>- Vea Instalación de la hoja en la página 47.</li> <li>- Limpie el ensamblaje del cabezal.</li> </ul>
La hoja se engancha, se atasca, quema la madera. Cortes bastos.	<ol style="list-style-type: none"> <li>1. Funcionamiento inadecuado.</li> <li>2. Hoja desafilada.</li> <li>3. Hoja inadecuada.</li> <li>4. Hoja doblada.</li> </ol>	<ul style="list-style-type: none"> <li>- Vea la sección Operaciones básicas de la sierra.</li> <li>- Cambie o afile la hoja.</li> <li>- Cámbiela por una hoja de 12" de diámetro diseñada para el material que se esté cortando.</li> <li>- Replace blade.</li> </ul>
La herramienta vibra o tiembla.	<ol style="list-style-type: none"> <li>1. Hoja de sierra no redonda.</li> <li>2. Hoja de sierra dañada.</li> <li>3. Hoja de sierra floja.</li> <li>4. Other.</li> </ol>	<ul style="list-style-type: none"> <li>- Replace blade.</li> <li>- Replace blade.</li> <li>- Tighten arbor screw.</li> <li>- Authorized service.</li> </ul>



## Localización y reparación de averías

### Guía de localización y reparación de averías generales

PROBLEMA	CAUSA	MEDIDA DE CORRECCION
La hoja no corta completamente la pieza de trabajo.	1. El tornillo del tope de profundidad está ajustado para el corte de ranuras.	- Vea Ajuste del tope de profundidad en la sección Ajustes.
El ensamblaje del cabezal no se desliza libremente al intentar un corte deslizando.  El ensamblaje del cabezal se desliza hacia adelante y hacia atrás al hacer un corte de troceado.	1. El pomo de fijación de los rieles de deslizamiento está apretado.  2. El pomo de fijación de los rieles de deslizamiento no está apretado.	- Afloje el pomo de fijación de los rieles de deslizamiento.  - Empuje el ensamblaje del cabezal completamente contra el tope. Apriete el pomo de fijación de los rieles de deslizamiento.
El ajuste del bisel no guarda su posición.	1. Debe apretarse el ensamblaje de la palanca de fijación del bisel.	- Apriete la palanca de fijación del bisel como se indica en la página 49.

## Accesorios

**DAF220K Transportador digital / calculador de corte compuesto/ nivel/ MiterFinder™** – Muestra la información necesaria para trazar los cortes de modo que ajusten con precisión entre sí, aun cuando la habitación no tenga paredes a escuadra.

**MS1221 Soporte y abrazadera horizontal de acción rápida con tope de techo** – Sujeta la pieza contra el tope-guía. También se puede usar como tope de moldura de techo. Se monta en el lado izquierdo o el derecho de la mesa.

**MS1222 Juego de varillas extra largas de base** – Consiste en varillas de acero de repuesto que aumentan el ancho de la base hasta 5 pies (60 pulgadas).

**MS1223 Juego de topes de longitud**

**MS1224 Accesorio de inserción para separación de repuesto**

**MS1225 Bolsa para polvo de repuesto**

**MS1226 Abrazadera de acción rápida (vertical) de repuesto**

**Base de soporte portátil T3B TracRac™ con ruedas**

**Base de soporte para sierras para cortar ingleses con ruedas de elevación por gravedad Gravity-Rise T4B**

### **AVERTISSEMENT**

« LISEZ TOUTES LES INSTRUCTIONS » — L'utilisateur qui négligerait de suivre les CONSIGNES DE SÉCURITÉ précédées d'un POINT NOIR (•) CI-DESSOUS et de prendre d'autres précautions élémentaires risquerait de subir de graves blessures.

### Consignes générales de sécurité pour les outils d'établi

#### Zone de travail

- **Gardez la zone de travail propre et bien éclairée.** Les établis encombrés et les endroits sombres invitent les accidents.
- **N'utilisez pas les outils électriques en atmosphères explosives, comme en présence de poussière, de gaz ou de liquides inflammables.** Les outils électriques créent des étincelles qui peuvent enflammer la poussière ou les vapeurs.
- **Gardez les spectateurs, les enfants et les visiteurs à l'écart lorsque vous utilisez un outil électrique.** Les distractions peuvent vous faire perdre le contrôle.
- **Rangez les outils inutilisés hors de portée des enfants et autres personnes sans formation à cet égard.** Les outils sont dangereux entre les mains d'utilisateurs non formés.
- **Ne laissez pas l'outil en marche, sans surveillance, mettez hors tension.** Ne laissez pas l'outil avant qu'il soit à l'arrêt complet.
- **RENDEZ L'ATELIER À L'ÉPREUVE DES ENFANTS** à l'aide de cadenas ou d'interrupteurs principaux, ou en retirant les clés du démarreur.

#### Sécurité électrique

- **Avant de brancher l'outil à une prise de courant, assurez-vous que la tension fournie correspond, à 10 % près, à celle spécifiée sur la plaque signalétique.** Une tension de sortie incompatible avec celle spécifiée sur la plaque signalétique risque de blesser sérieusement l'utilisateur sans mentionner l'endommagement de l'outil.
- **Les outils à double isolation sont pourvus d'une fiche polarisée (une lame est plus large que l'autre). Cette fiche ne peut être insérée dans une prise polarisée que d'une seule façon. Si la fiche ne s'insère pas à fond dans la prise, inversez la fiche. Si elle ne rentre toujours pas, contactez un électricien qualifié pour faire poser une prise polarisée. Ne modifiez la fiche d'aucune façon.** La double isolation élimine la nécessité d'un cordon mis à la terre à trois fils et d'une alimentation mise à la terre.
- **Évitez tout contact corporel avec les surfaces mises à la terre telles que tuyaux, radiateurs, cuisinières et réfrigérateurs.** Ces surfaces posent un risque accru de secousses électriques si votre corps est mis à la terre.
- **N'exposez pas les outils électriques à la pluie ou à l'humidité.** L'eau pénétrant dans un outil électrique augmentera le risque de secousses électriques.

- **N'abusez pas du cordon. N'utilisez jamais le cordon pour transporter les outils et ne tirez pas la fiche d'une prise. Tenez le cordon à l'écart de la chaleur, de l'huile, des arêtes vives ou des pièces mobiles. Remplacez les cordons abîmés immédiatement.** Les cordons abîmés augmentent le risque de secousses électriques.
- **Lorsque vous utilisez un outil électrique à l'extérieur, utilisez un cordon de rallonge pour service extérieur marqué « W-A » ou « W ».** Ces cordons sont prévus pour usage extérieur et réduisent le risque de secousses électriques.

#### Sécurité personnelle

- **Demeurez vigilant, surveillez ce que vous faites et faites preuve de discernement en utilisant un outil électrique.** Un moment d'inattention ou la prise de drogues, d'alcool ou de médicaments peut s'avérer dangereux durant l'utilisation d'un outil électrique.
- **Portez des vêtements convenables. Ne portez pas de vêtements amples ni de bijoux. Pour les cheveux longs, nous conseillons le port d'un serre-tête. Tenez les cheveux, les vêtements et les gants à l'écart des pièces mobiles.** Les vêtements amples, les bijoux ou les cheveux longs risquent de s'accrocher dans les pièces mobiles. Roulez les manches longues au-dessus du coude. Le port de gants en caoutchouc et de chaussures à semelle antidérapante est recommandé si vous travaillez à l'extérieur.
- **Évitez la mise en marche accidentelle. Assurez-vous que l'interrupteur est à l'ARRÊT avant de brancher.** Le transport de l'outil avec le doigt sur l'interrupteur ou le branchement d'outils dont l'interrupteur est à la position de MARCHE invite les accidents.
- **Enlevez les clés de réglage et autres clés avant de mettre l'outil en MARCHE.** Une clé qui est laissée fixée à une pièce rotative de l'outil sera projetée.
- **Travaillez avec aplomb et équilibre à tout moment,** ce qui aide à mieux contrôler l'outil dans les cas imprévus.
- **Ne montez pas sur l'outil ni sur son support.** Des blessures graves peuvent être causées en cas de basculement de l'outil ou de contact accidentel avec l'outil de coupe. Ne conservez pas de matériaux sur ou à proximité de l'outil de sorte qu'il soit nécessaire de monter sur l'outil ou son support pour les atteindre.
- **Utilisez l'équipement de sécurité. Portez toujours des lunettes à coques latérales.** Un masque anti-poussière, des chaussures de sécurité, un casque dur ou des protège-or-

« CONSERVEZ CES INSTRUCTIONS »

elles doivent être utilisés si la situation l'exige. Les lunettes de tous les jours comportent uniquement des verres résistant aux chocs. Ce NE SONT PAS des lunettes de sécurité.

#### Utilisation et entretien de l'outil

- **Utilisez des pinces ou autre façon pratique d'assujettir et de supporter l'ouvrage à une plate-forme stable.** Tenir l'ouvrage à la main ou contre son corps n'assure pas la stabilité voulue. L'ouvrage peut ainsi se déplacer, faire gripper l'outil et vous faire perdre le contrôle de l'outil.
- **Ne forcez pas l'outil. Utilisez l'outil convenant à votre application.** L'outil convenable exécutera le travail plus efficacement et plus sûrement à la vitesse à laquelle il est conçu. N'utilisez pas l'outil à une fin autre que celle à laquelle il est prévu — ainsi, n'utilisez pas la scie à onglet pour trancher les viandes.
- **N'utilisez pas l'outil si l'interrupteur ne le met pas en MARCHÉ et à l'ARRÊT.** Tout outil qui ne peut être commandé par l'interrupteur est dangereux.
- **Débranchez la fiche de la prise de courant avant d'effectuer tout réglage ou de changer les accessoires.** Ces mesures préventives réduisent le risque d'une mise en marche accidentelle.
- **Gardez les outils de coupe affilés et propres.** Des outils bien entretenus, avec tranchants affilés, sont moins susceptibles de gripper et plus faciles à contrôler. Lorsque vous montez des lames de scie, assurez-vous que la flèche de la lame correspond au sens de la flèche marquée sur l'outil et que les dents pointent également dans le même sens.
- **Inspectez les protecteurs avant d'utiliser un outil. Gardez les protecteurs en place. Vérifiez si les pièces mobiles grippent ou tout autre état pouvant influencer sur le fonctionnement normal ou les fonctions de sécurité de l'outil. Si l'outil est abîmé, faites-le réparer avant de l'utiliser.** Beaucoup d'accidents sont causés par des outils mal entretenus.
- **Ne modifiez pas l'outil et n'en faites pas un usage inapproprié.** Toute altération ou modification constitue un usage inapproprié et peut causer des blessures graves.
- **L'utilisation de tout autre accessoire non précisé dans ce manuel peut créer un danger.** Les accessoires qui peuvent être adéquats pour un type d'outil peuvent devenir dangereux lorsqu'ils sont utilisés sur un outil inapproprié.

#### Réparation

- **L'outil ne doit être réparé que par des techniciens de réparation qualifiés.** Les réparations ou l'entretien effectués par des personnes non qualifiées peuvent résulter en un positionnement erroné de composants et de fils internes, ce qui peut provoquer des dangers sérieux.
- **N'utilisez que des pièces de rechange identiques pour réparer un outil. Suivez les consignes contenues dans la section Entretien de ce manuel.** L'utilisation de pièces non autorisées ou le non-respect des consignes d'entretien peut être dangereux.

#### Consignes de sécurité pour les scies à onglet

- **Utilisez des pinces pour supporter l'ouvrage chaque fois que possible. Si vous supportez l'ouvrage à la main, vous devez toujours garder la main à l'extérieur de la zone interdite aux mains, identifiée par un symbole sur la base. N'utilisez pas cette scie pour couper des pièces qui sont trop petites pour être bien assujetties.** Si elle est placée à l'intérieur de la zone interdite aux mains, votre main peut glisser facilement ou être tirée dans la lame.
- **N'insérez pas la main à l'arrière de la lame de scie, derrière le guide, pour tenir ou supporter l'ouvrage, enlever des débris de bois ou toute autre raison.** La proximité de la lame de scie en rotation à votre main peut ne pas être évidente, et vous pourriez être grièvement blessé.
- **Ne passez jamais la main à travers la ligne de coupe prévue.** Il est très dangereux de supporter l'ouvrage à main croisée, à savoir, en tenant le côté gauche de l'ouvrage avec votre main droite.
- **Débranchez toujours le cordon de la prise de courant avant d'effectuer quelque réglage que ce soit ou de poser des accessoires.** Vous pouvez mettre la scie en marche par mégarde, et être blessé grièvement.
- **Les scies à onglet sont destinées principalement à couper le bois ou des produits similaires ; on ne peut les utiliser avec des meules à tronçonner pour couper des matériaux ferreux tels que barres, tiges, poteaux, etc. Cependant, pour couper des matériaux tels que l'aluminium ou autres métaux non ferreux, utilisez uniquement des lames de scie recommandées spécifiquement pour la coupe de métaux non ferreux.** La coupe de matériaux ferreux forme une quantité excessive d'étincelles et abîmera le protecteur inférieur en plus de créer une surcharge sur le moteur.

(REMARQUE : Robert Bosch Tool Corporation n'offre pas de lames de 12 po pour couper les métaux.)

- **Inspectez votre ouvrage avant de couper. Si l'ouvrage est cintré ou gondolé, pincez-le avec la face cintrée extérieure dirigée vers le guide. Assurez-vous toujours qu'il n'y a pas d'écartement entre l'ouvrage, le guide et la table le long de la ligne de coupe.** Les ouvrages pliés ou gondolés peuvent se tordre ou culbuter, et peuvent faire gripper la lame de scie en rotation durant la coupe. Assurez-vous également de l'absence de clous ou de corps étrangers dans l'ouvrage.
- **N'utilisez pas la scie tant que la table n'est pas libérée de tous outils, débris de bois, etc, sauf l'ouvrage.** Les petits débris ou pièces détachées de bois ou autres objets venant en contact avec la lame en rotation peuvent être projetés à haute vitesse en direction de l'opérateur.
- **N'introduisez pas l'ouvrage dans la lame et ne coupez d'aucune manière à « main libre ».** L'ouvrage doit être fixe et cramponné ou serré par votre main. La scie doit être insérée à travers l'ouvrage doucement et à une vitesse qui ne surchargera pas le moteur de la scie.

« CONSERVEZ CES INSTRUCTIONS »

- **Coupez un seul ouvrage à la fois.** Les ouvrages multiples ne peuvent être cramponnés ou serrés adéquatement, et ils peuvent gripper sur la lame ou se déplacer durant la coupe.
- **Assurez-vous que la scie à onglet est montée ou placée sur une surface de travail ferme et à niveau avant de l'utiliser.** Une surface de travail ferme et à niveau réduit le risque d'instabilité de la scie à onglet.
- **Planifiez votre travail. Obtenez des accessoires de support adéquats tels que tables, chevalets de scieur, rallonge de table, etc. pour les ouvrages plus larges ou plus longs que le dessus de la table (voir page 92).** Les ouvrages plus longs ou plus larges que la table de la scie à onglet peuvent basculer s'ils ne sont pas supportés adéquatement. Si la pièce tronçonnée ou l'ouvrage bascule, il peut lever le protecteur inférieur ou être projeté par la lame en rotation.
- **N'utilisez pas une autre personne en remplacement d'une rallonge de table ou comme support supplémentaire.** Un support instable de l'ouvrage peut faire gripper la lame ou déplacer l'ouvrage durant la coupe, tirant ainsi votre assistant et vous-même dans la lame en rotation.
- **La pièce tronçonnée ne doit pas être bloquée contre la lame de scie en rotation ni être pressée par aucun autre moyen contre celle-ci.** Si elle est captive, en utilisant des butées de longueur, par exemple, elle pourrait être coincée contre la lame et être projetée violemment.
- **Utilisez toujours un serre-joints ou un dispositif conçu de manière à supporter adéquatement les matériaux ronds tels que les goujons ou les tubes.** Les goujons ont tendance à rouler pendant qu'on les coupe, ce qui amène la lame à « mordre » et tire l'ouvrage et votre main dans la lame.
- **En coupant des ouvrages de forme irrégulière, planifiez votre travail de manière à ce que l'ouvrage ne glisse pas et ne vienne pas pincer la lame, pour être ensuite tiré de votre main.** Une pièce de moulure doit ainsi être posée à plat et être tenue par un dispositif ou une monture qui l'empêchera de tordre, basculer ou glisser pendant la coupe.
- **Laissez la lame atteindre une vitesse maximum avant de la mettre en contact avec l'ouvrage.** Ceci aidera à éviter la projection d'ouvrages.
- **Si l'ouvrage ou la lame se bloque ou se coince, mettez la scie à onglet à l'ARRÊT en relâchant l'interrupteur. Attendez que toutes les pièces mobiles s'arrêtent et débranchez la scie à onglet avant de libérer les matériaux coincés.** Le fait de continuer à scier avec l'ouvrage coincé pourrait entraîner une perte de contrôle ou des dommages à la scie à onglet composée.
- **La tête de scie est secouée vers le bas sous l'effet de l'action de freinage de la scie. Soyez prêt à cette réaction** en pratiquant une coupe incomplète ou en relâchant l'interrupteur avant que la tête ne soit complètement descendue.
- **Après avoir terminé la coupe, relâchez l'interrupteur, tenez le bras de la scie en bas et attendez que la lame s'arrête avant de retirer l'ouvrage ou la pièce tronçonnée. Si la lame ne s'arrête pas dans un délai de cinq (5) secondes, débranchez la scie et suivez les consignes apparaissant dans la section Dépannage. IL EST DANGEREUX D'INSÉRER LA MAIN SOUS UNE LAME EN TRAIN DE S'IMMOBILISER.**
- **Il existe des consignes de sécurité supplémentaires pour les opérations particulières de la scie dans la section relative au fonctionnement. Lisez le reste du manuel pour une utilisation sûre de la scie.**
- **Pour une coupe à action coulissante, TIREZ d'abord l'ensemble de tête de scie à l'écart du guide, jusqu'à ce que la lame dégage l'ouvrage ou jusqu'à son prolongement maximum si la lame ne peut dégager l'ouvrage. Assurez-vous que le serre-joint ne gêne pas l'ensemble de protecteur et tête. Mettez ensuite la scie en MARCHE et abaissez la scie jusqu'à la table. PUSSEZ alors la scie à travers l'ouvrage. Relâchez l'interrupteur et attendez que la lame s'arrête complètement avant de relever l'ensemble de tête et de retirer l'ouvrage.** Ne jamais « coupez en tirant » car la lame peut grimper sur l'ouvrage causant ainsi un REBOND.
- **Pour une coupe à action de fente, faites glisser l'ensemble de tête vers l'arrière aussi loin que possible et serrez le bouton de blocage de glissière. Mettez ensuite la scie en MARCHE et abaissez l'ensemble de tête pour pratiquer la coupe. Relâchez l'interrupteur et attendez que la lame s'arrête complètement avant de relever l'ensemble de tête et de retirer l'ouvrage.** Si le bouton de blocage de glissière n'est pas serré, la lame peut soudainement grimper sur le dessus de l'ouvrage et forcer son chemin vers vous.
- **Ne laissez pas la familiarité tirée d'une utilisation fréquente de votre scie à onglet atténuer votre vigilance.** N'oubliez jamais qu'une fraction de seconde d'insouciance suffit à causer des blessures graves.

**« CONSERVEZ CES INSTRUCTIONS »**

## Sécurité

### ⚠ AVERTISSEMENT

« LISEZ TOUTES LES INSTRUCTIONS » — L'utilisateur qui négligerait de suivre les CONSIGNES DE SÉCURITÉ précédées d'un POINT NOIR (•) CI-DESSOUS et de prendre d'autres précautions élémentaires risquerait de subir de graves blessures.

- PENSEZ EN TERMES DE SÉCURITÉ. LA SÉCURITÉ EST UNE COMBINAISON DE BON SENS, DE CONNAISSANCE DES CONSIGNES DE SÉCURITÉ ET DE FONCTIONNEMENT, ET DE VIGILANCE CONSTANTE DE LA PART DE L'OPÉRATEUR LORS DE L'UTILISATION DE LA SCIE À ONGLET.

### ⚠ AVERTISSEMENT

LES AVERTISSEMENTS CI-APRÈS SE TROUVENT SUR VOTRE OUTIL. CES AVERTISSEMENTS NE SONT QU'UNE FORME CONDENSÉE DES RÈGLES ET PRÉCAUTIONS DE SÉCURITÉ PLUS DÉTAILLÉES QUI APPARAISSENT DANS VOTRE MANUEL. ELLES SERVENT À VOUS RAPPELER TOUTES LES RÈGLES DE SÉCURITÉ NÉCESSAIRES À UNE UTILISATION SÛRE DE CETTE SCIE À ONGLET.

### ⚠ AVERTISSEMENT

Les travaux à la machine tel que ponçage, sciage, meulage, perçage et autres travaux du bâtiment peuvent créer des poussières contenant des produits chimiques qui sont des causes reconnues de cancer, de malformation congénitale ou d'autres problèmes reproductifs. Ces produits chimiques sont, par exemple :

- Le plomb provenant des peintures à base de plomb,
- Les cristaux de silices provenant des briques et du ciment et d'autres produits de maçonnerie, et
- L'arsenic et le chrome provenant des bois traités chimiquement

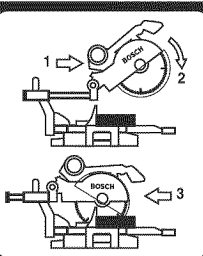
Le niveau de risque dû à cette exposition varie avec la fréquence de ces types de travaux. Pour réduire l'exposition à ces produits chimiques, il faut travailler dans un lieu bien ventilé et porter un équipement de sécurité approprié tel que certains masques à poussière conçus spécialement pour filtrer les particules microscopiques.



**ZONE DÉSIGNÉE DE DANGER. ÉVITER DE PLACER LES MAINS, LES DOIGTS OU LES BRAS DANS LA ZONE DÉSIGNÉE PAR CE SYMBOLE.**

### ⚠ ADVERTENCIA

Para reducir el riesgo de lesiones, el usuario debe leer y entender el manual de instrucciones. Use protección de los ojos y antipolvo. Use una hoja de sierra con capacidad nominal de 3800/min o mayor. No use la sierra si el sistema del protector no funciona correctamente. Si el protector no funciona con suavidad, haga que le den servicio de ajustes y reparaciones. Después de cambiar la hoja, regrese el protector a la posición de funcionamiento. Mantenga las manos a una distancia segura de la hoja de sierra. Manténgalas siempre fuera de la zona de "manos no". Fije o sujete con abrazaderas la pieza de trabajo contra la base y el tope-guía. No realice nunca operaciones a pulso. No corte transversalmente a las manos. Nunca ponga las manos o los brazos en la trayectoria proyectada de la hoja de sierra. Con el motor en la posición de apagado, haga una pasada de prueba para comprobar el alcance de la hoja. Después de apagar la sierra, manténgala en la posición hacia abajo y espere a que la hoja se detenga antes de retirar las piezas cortadas o cambiar los ajustes. Para evitar las descargas eléctricas, no exponga la herramienta a la lluvia ni la utilice en lugares húmedos. Cuando haga servicio de ajustes y reparaciones de la herramienta, utilice únicamente piezas de repuesto idénticas. Para realizar cortes en bisel o compuestos, ajuste el tope-guía deslizante de manera que no esté en la trayectoria de la hoja y no interfiera con el sistema del protector.



### ⚠ PARA REALIZAR UN CORTE CON ACCIÓN DESLIZANTE, SIGA SIEMPRE ESTAS INSTRUCCIONES:

1. TIRE del carro de la sierra alejándolo del tope-guía, hasta que la hoja pase la pieza de trabajo o hasta su máxima extensión si la hoja no puede pasar la pieza de trabajo.
2. Encienda la sierra y hágela hasta la mesa.
3. EMPUJE la sierra a través de la pieza de trabajo. No corte nunca corte "tirando de la sierra", ya que la hoja podría trepar por la pieza de trabajo, causando RETROCESO.

### ⚠ POUR UNE COUPE LE LONG D'UN GUIDE, TOUJOURS SUIVRE CES INSTRUCTIONS:

1. TIRER le cadre de la scie hors du guide, jusqu'à ce que la lame sorte de la pièce de travail ou à son extension maximum si celle-ci ne peut sortir de la pièce.
2. Mettre la scie sur « MARCHÉ » et l'abaisser vers la table.
3. POUSSER la scie dans la pièce à couper. Ne jamais couper en tirant, la lame pourrait monter sur la pièce de travail et provoquer un REBOND.


« CONSERVEZ CES INSTRUCTIONS »

## Sécurité

### **A** AVERTISSEMENT

« LISEZ TOUTES LES INSTRUCTIONS » — L'utilisateur qui négligerait de suivre les CONSIGNES DE SÉCURITÉ précédées d'un POINT NOIR (•) CI-DESSOUS et de prendre d'autres précautions élémentaires risquerait de subir de graves blessures.

#### Double isolation

La double isolation  est utilisée dans les outils électriques pour éliminer le besoin de cordon d'alimentation avec prise de terre et de dispositif d'alimentation à prise de terre. Elle est homologuée par l'Underwriter's Laboratories, l'ACNOR et l'OSHA.

- L'entretien d'un outil à double isolation exige la connaissance du système et la compétence d'un technicien qualifié.
- EN CAS D'ENTRETIEN, N'UTILISEZ QUE DES PIÈCES DE RECHANGE IDENTIQUES.
- FICHES POLARISÉES. Pour réduire le risque de chocs électriques, votre outil est équipé d'une fiche polarisée (une lame plus large que l'autre) elle ne s'enfiche que d'une manière dans une prise polarisée. Si la fiche n'entre pas à fond dans la prise, tournez-la d'un demi-tour. Si elle refuse encore d'entrer, demandez à un électricien qualifié d'installer une prise appropriée. Pour réduire le risque de chocs électriques, ne modifiez la fiche d'aucune façon.

#### Rallonges

- Remplacez immédiatement toute rallonge endommagée. L'utilisation de rallonges endommagées risque de provoquer un choc électrique, des brûlures ou l'électrocution.

- En cas de besoin d'une rallonge, utilisez un cordon de calibre satisfaisant pour éviter toute chute de tension, perte de courant ou surchauffe. Le tableau ci-contre indique le calibre des rallonges recommandées en fonction de leur longueur et de l'intensité indiquée sur la plaque du constructeur de l'outil. En cas de doute, optez pour le prochain calibre inférieur. Utilisez toujours des rallonges homologuées par l'U.L. et l'ACNOR.

#### DIMENSIONS DE RALLONGES RECOMMANDÉES

Tool's Ampere Rating	Cord Size in A.W.G.				Wire Sizes in mm <sup>2</sup>			
	Cord Length in Feet				Cord Length in Meters			
	25	50	100	150	15	30	60	120
3-6	18	16	16	14	0.75	0.75	1.5	2.5
6-8	18	16	14	12	0.75	1.0	2.5	4.0
8-10	18	16	14	12	0.75	1.0	2.5	4.0
10-12	16	16	14	12	1.0	2.5	4.0	—
12-16	14	12	—	—	—	—	—	—

REMARQUE : Plus le calibre est petit, plus le fil est gros.

« CONSERVEZ CES INSTRUCTIONS »

## Table des matières

Sécurité	74-78
Consignes générales de sécurité pour les outils d'établi	74-75
Consignes de sécurité pour les scies à onglet	75-78
<b>Table des matières</b>	78
<b>Spécifications électriques</b>	79
<b>Familiarisez-vous avec votre scie à onglet</b>	79-81
<b>Assemblage</b>	82-84
Outils nécessaires à l'assemblage et à l'alignement	82
Déballage et vérification du contenu	82
Pose et dépose de la lame	83-84
Assemblage du coude de poussière et du sac à poussière	84
<b>Réglages</b>	85-88
Contrôle du réglage du biseau à 0°	85
Réglage de la tension du levier de blocage du biseau	85
Lame à 45° par rapport à la table	86
Lame d'équerre par rapport au guide	87
Réglage de l'indicateur d'échelle d'onglet	87
Insert d'encoche	88
Réglage de la profondeur	88
<b>Transport, positionnement et montage</b>	89-90
Applications de montage	89
Montage de la scie	90

Réglage de la poignée-interrupteur à quatre positions	90
<b>Opérations de base de la scie</b>	90-94
Position du corps et des mains	91
Support de l'ouvrage	92
Actionnement de l'interrupteur	93
Court-circuitage du cran d'arrêt	94
Rallonge de base/guide à glissière	94
<b>Opérations de la scie</b>	95-102
Coupe de fente	95
Coupe par glissement	95
Coupe à l'onglet	96
Coupe en biseau	96-97
Coupes composées	98
Coupe de rainures	99
Coupe de mouleurs de base	100
Coupe de mouleurs en couronne	101-102
Coupes spéciales	103-105
<b>Maintenance et lubrification</b>	106-107
<b>Remplacement de la courroie</b>	106
<b>Dépannage</b>	107-108
<b>Accessoires</b>	109

## Spécifications électriques

1. Branchez cette scie sur un circuit de dérivation de 120 V, 15 A avec disjoncteur ou fusible à action différée de 15 A. L'utilisation du mauvais type de fusible peut abîmer le moteur.
2. Les fusibles peuvent sauter ou les disjoncteurs peuvent se déclencher souvent si le moteur est surchargé. Il peut y avoir surcharge si vous introduisez la lame dans l'ouvrage trop rapidement ou si vous mettez en marche et à l'arrêt trop souvent dans un période brève.
3. La plupart des troubles de moteur sont attribuables à des connexions lâches ou incorrectes, à une surcharge, à une basse tension (telle que fil de petit calibre dans le circuit d'alimentation ou fil trop long de circuit d'alimentation). Vérifiez toujours les connexions, la charge et le circuit d'alimentation chaque fois que le moteur ne fonctionne pas bien.

### Frein électrique

Votre scie est équipée d'un frein électrique automatique qui est conçu de manière à empêcher la lame de tourner environ cinq (5) secondes après que vous ayez relâché la gâchette de commande. Cette particularité est utile pour pratiquer certaines coupes dans le bois alors qu'une lame qui se déplace par inertie entraînerait une coupe large et imprécise.

**⚠ AVERTISSEMENT** Lorsqu'il y a panne de courant en raison d'un fusible grillé ou d'autres causes, le moteur ralentit progressivement et l'action de freinage est amorcée **UNIQUEMENT** par le relâchement de la gâchette de commande.

Le frein électrique de lame de votre scie a été conçu en vue du plus haut niveau de fiabilité, mais il se peut que le frein ne soit pas actionné sous l'effet de circonstances imprévues telles que la contamination sur le commutateur et les balais ou la défaillance des composants du moteur. Dans ce cas, mettez la scie en **MARCHE** et à l'**ARRÊT** quatre ou cinq fois en évitant tout contact entre la scie et le matériau. Si l'outil fonctionne mais le frein n'arrête pas uniformément la lame en environ cinq (5) secondes, N'utilisez **PAS** la scie et faites-la réparer immédiatement.

**⚠ AVERTISSEMENT** L'action de freinage de cette scie n'est pas destinée à servir de mesure de sécurité. N'oubliez pas de laisser la lame de scie s'arrêter complètement avant de la retirer du matériau. Comme toujours, le système de protecteurs constitue la meilleure façon d'éviter le contact accidentel avec une lame de scie qui tourne. Vous ne devez **JAMAIS** ouvrir en forçant ni empêcher l'action de fermeture du protecteur inférieur.

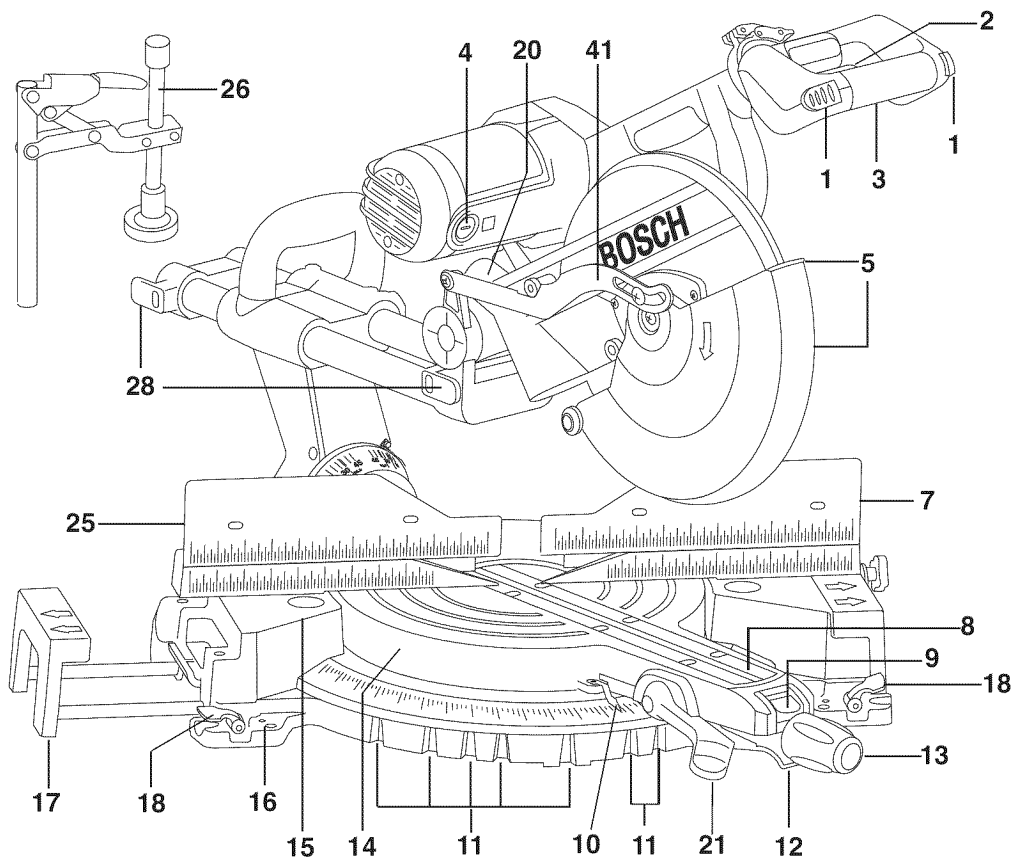
## Familiarisez-vous avec votre scie à onglet (Voir page 80)

**⚠ AVERTISSEMENT** Pour éviter les blessures résultant d'une mise en marche accidentelle, débranchez la fiche de la prise de courant avant d'effectuer quelque réglage que ce soit.

1. **Bouton de déblocage du verrouillage de l'interrupteur sur arrêt** – Il faut appuyer sur un de ces deux boutons avant de pouvoir appuyer sur l'interrupteur.
2. **Interrupteur** – L'interrupteur utilisé avec le bouton de blocage à l'arrêt « Lock-OFF » met la scie sous tension.
3. **Poignée principale** – Cette poignée comprend l'interrupteur. Abaissez-la pour faire descendre la lame et la faire pénétrer dans la pièce.
4. **Capuchons de balai** – Ces capuchons gardent les balais de moteur en place et facilitent l'accès pour inspection et remplacement des balais.
5. **Protecteur inférieur de lame/rebord de protecteur inférieur** – Le protecteur inférieur de lame aide à protéger vos mains contre la lame en rotation. Il se rétracte au fur et à mesure que la lame est abaissée. Le rebord peut être utilisé pour lever le protecteur inférieur lorsque le protecteur se coince sur un ouvrage.
6. **Lame** – Utilisez uniquement des lames de 12 po avec un trou d'arbre de 1 po.
7. **Guide coulissant** – Supporte l'ouvrage. Le guide possède une échelle graduée incorporée pour faciliter les coupes à

répétition. Le guide comporte également des trous qui servent à fixer un guide auxiliaire, si désiré.

8. **Inserts d'encoche** – Les inserts d'encoche peuvent être ajustés à différentes largeurs de lame afin de réduire au minimum les risques d'arrachement de l'ouvrage.
9. **Court-circuitage du cran d'arrêt d'onglet** – Permet d'inhiber le cran d'arrêt et d'ainsi effectuer des micro-réglages à tout angle d'onglet.
10. **Indicateur d'angle d'onglet/échelle d'onglet** – Cette échelle est moulée dans la base de la scie. L'indicateur est fixé à la table.
11. **Crans d'onglet** – Il y a dix (10) encoches pour crans d'onglet permettant de se régler rapidement et précisément aux angles d'onglet les plus courants.
12. **Levier de cran d'onglet** – Ce levier efface le cran, permettant ainsi de libérer la table.
13. **Bouton de blocage d'onglet** – Le bouton de blocage d'onglet bloque la table de la scie à onglet à tout angle d'onglet désiré.
14. **Table** – Repose dans la base, supporte l'ouvrage, tourne pour coupes à onglet désirées et tourne la tête. La partie avant prolongée de la table est appelée le bras d'onglet.
15. **Base** – Assure une surface de travail pour supporter l'ouvrage.



**16. Coussinets de montage de l'outil** – Les quatre coins de la scie comportent des surfaces permettant de cramponner, boulonner ou clouer la scie à une surface de travail plate.

**17. Rallonges d'embase coulissantes** – Ces rallonges apportent un support supplémentaire à la pièce et sont surtout utiles pour le sciage des pièces longues.

**18. Leviers de blocage des rallonges d'embase** – Ces leviers bloquent les rallonges d'embase à la position désirée.

**19. Butée de longueur (modèle 5412 seulement)** – Pour faire des sciages à répétition de la même longueur. On peut la placer à gauche si on le désire.

**20. Raccord d'aspiration** – Le raccord d'aspiration s'adapte sur l'évacuation des poussières et le sac à poussière ainsi qu'à un tuyau d'aspiration de 1-1/4 po.

**21. Levier de blocage du biseau** – Le levier de blocage du biseau positionné à l'avant permet de bloquer l'ensemble de la tête à l'angle de biseau.

**22. Bouton-sélecteur de la gamme de biseau** – Permet de choisir la gamme d'angles de biseau de 0° à 45° à gauche,

de 0° à 45° à droite ou la plage complète de 47° à gauche à 47° à droite.

**23. Bouton de blocage du coulisseau** – Le bouton de blocage des rails coulissants (coulisseau) bloque ces derniers quand on ne scie pas en faisant coulisser la scie ou lorsqu'on transporte la scie.

**24. Rails coulissants** – Guident l'ensemble de tête lorsque vous pratiquez des coupes par glissement.

**25. Trous de positionnement de la bride à action rapide** – Il y a deux (2) trous (non illustrés) derrière le guide qui permettent de monter la bride à action rapide.

**26. Serre-joint à action rapide (modèle 5412 seulement)** – Permet un cramponnage rapide de l'ouvrage.

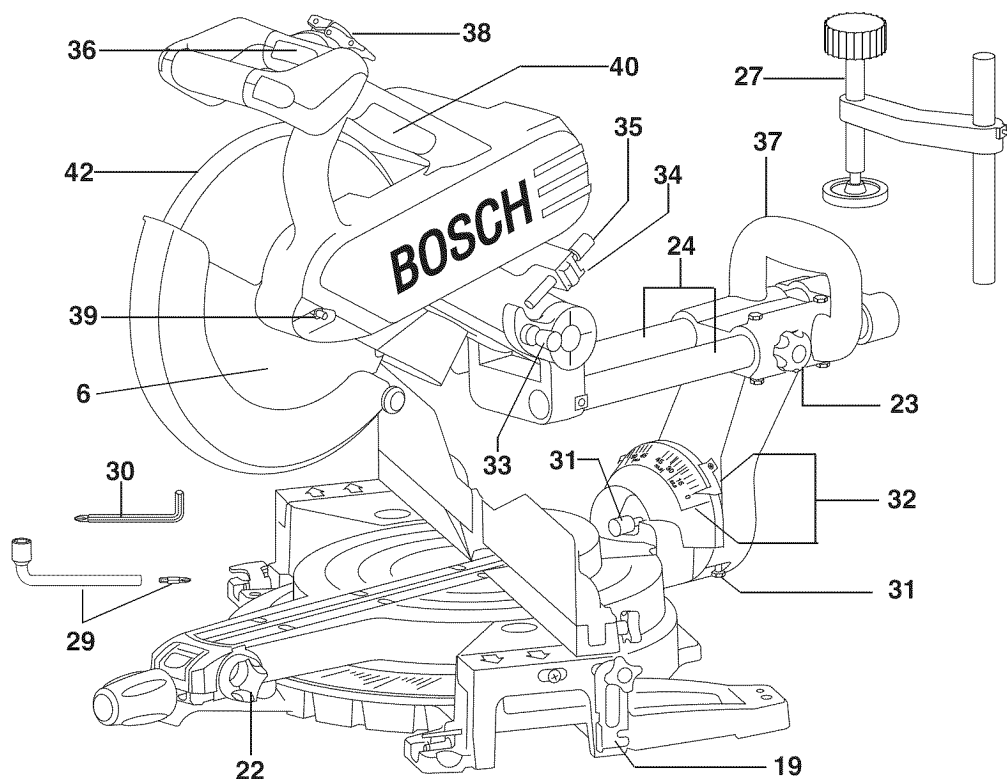
**27. Serre-joint d'ouvrage (modèle 5312 seulement)** – Permet un cramponnage rapide de l'ouvrage.

**28. Dispositif d'enroulement du cordon** – Vous permet d'enrouler facilement le cordon pour le ranger quand vous transportez ou que vous entreposez la scie.

**29. Outil universel (modèle 5412 seulement)** – Utilisée pour serrer ou desserrer la lame et pour régler le guide.



## Familiarisez-vous avec votre scie à onglet



**30. Clé universel en L de 6.5 mm (modèle 5312 seulement)** – Utilisée pour serrer ou desserrer la lame.

**31. Goupille du cran de biseau (réglage pour corniche)** – Vous permet de facilement bloquer l'ensemble de la tête sur l'angle de biseau à 33,9° à gauche ou à droite.

**32. Échelle des angles de biseau** – Grande échelle inclinée pour vous permettre de lire facilement l'angle de biseau.

**33. Cheville de blocage de tête** – La scie à onglet est pourvue d'une cheville de blocage servant à bloquer la tête en position abaissée.

**34. Bouton de déblocage rapide de la butée de profondeur** – Vous permet de débloquer rapidement la butée de profondeur.

**35. Bouton de réglage fin de la butée de profondeur** – Vous permet de régler la profondeur de la lame pour pratiquer des rainures dans une pièce (Figure 13, page 88).

**36. Manette de déblocage de la rotation de la poignée (modèle 5412 seulement)** – Tirez sur cette manette pour permettre à la poignée de tourner. Relâchez la manette dans l'une des quatre positions d'utilisation.

**37. Poignée de transport arrière** – Utilisée pour soulever l'outil.

**38. Blocage de la poignée (modèle 5412 seulement)** – Bloque la poignée à la position désirée.

**39. Blocage de l'arbre** – Permet à l'utilisateur d'empêcher la lame de tourner lors du serrage ou du desserrage de la vis de l'arbre pendant les changements de lame ou lorsqu'on démonte celle-ci.

**40. Poignée de transport avant** – Utilisée pour soulever l'outil

**26. Raccord d'actionnement du protecteur inférieur** – Permet un mouvement en douceur du protecteur inférieur.

**27. Protecteur supérieur de lame** – Couvre la partie supérieure de la lame.

## Assemblage

### Outils nécessaires à l'assemblage et à l'alignement

Équerre à combinaison



Clé hexagonale en L (fournie) de 1.5 mm



Clé universel en L de 6.5 mm (fournie avec le modèle 5312 seulement)

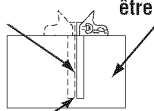


L'équerre à combinaison doit être vraie.

Tracez une ligne délicate sur la planche le long de ce bord.

Bord droit de la planche 3/4 po d'épaisseur ce bord doit être parfaitement droit.

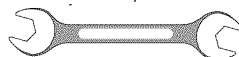
Il ne doit y avoir aucun écartement ou chevauchement lorsque l'équerre est renversée à la position en tirets.



Outil universel (fournie avec le modèle 5412 seulement)



Clé plate combinée 10 mm /17 mm



#### **AVERTISSEMENT**

Débranchez la fiche de la prise de courant avant d'effectuer tout assemblage, réglage ou réparation pour éviter d'éventuelles blessures.

## Déballage et vérification du contenu

#### **AVERTISSEMENT**

Avant de déplacer la scie : bloquez le bouton de blocage de l'onglet à la position 45°. Bloquez la poignée de blocage de biseau. Tirez la tête entièrement vers l'avant vers vous et serrez le bouton de blocage des rails coulissants. Bloquez la tête à la position abaissée.

**Ne transportez jamais l'outil par les rails coulissants (coulisseau) car ceci risque d'abîmer la lame.**

Ne transportez jamais l'outil par le cordon ou la poignée-interrupteur de la tête. Les dommages à l'isolation pourraient provoquer des secousses électriques. Les dommages aux connexions de fils pourraient provoquer un incendie.

La scie à onglet, à glissière, les modèles 5312 et 5412 sont expédiée complète dans une boîte.

1. Séparez toutes les pièces des matériaux d'emballage et vérifiez chacune à l'aide de la « Liste des pièces détachées » pour vous assurer de la présence de toutes les pièces avant de jeter tout matériel d'emballage.

2. Pièces détachées :  
Serre-joint à action rapide (modèle 5412 seulement) — sert à cramponner l'ouvrage.

Serre-joint d'ouvrage (modèle 5312 seulement) — sert à cramponner l'ouvrage.

Sac à poussière/coude de poussière - sert à recevoir le bran de scie.

Outil universel (modèle 5412 seulement) – Se range à l'arrière droit de l'embase.

Dispositif arrière d'enroulement du cordon, rondelle et vis – S'utilise pour enrouler le cordon.

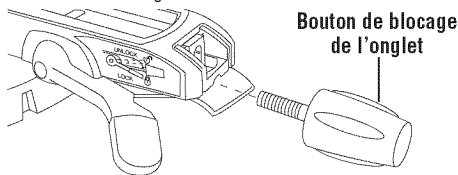
Bouton de blocage de l'onglet – S'utilise pour bloquer la table à l'angle d'onglet désiré.

#### **AVERTISSEMENT**

Si des pièces manquent, ne branchez pas le cordon et ne mettez pas l'interrupteur à la position de marche avant d'avoir obtenu les pièces manquantes et de les avoir posées correctement.

#### Montage du bouton de blocage de l'onglet

Trouvez le bouton de blocage de l'onglet parmi les pièces en vrac et vissez sa tige dans le trou existant.

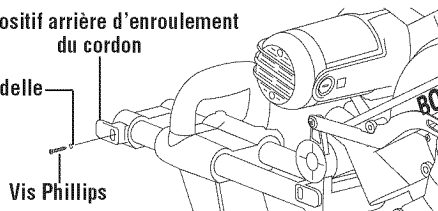


#### Montage du dispositif arrière d'enroulement du cordon

Trouvez le dispositif arrière d'enroulement du cordon parmi les pièces en vrac, placez-le comme indiqué et fixez-le à l'aide de la rondelle et de la vis Phillips fournie.

#### Dispositif arrière d'enroulement du cordon

Rondelle  
Vis Phillips



# Assemblage

## Pose et dépose de la lame

### ⚠ AVERTISSEMENT

Débranchez la fiche de la prise de courant avant d'effectuer tout assemblage, réglage ou réparation pour éviter d'éventuelles blessures.

1. La scie à onglet est pourvue d'une cheville de blocage qui sert à bloquer la scie à onglet en position inférieure. Pour relâcher, poussez légèrement la poignée vers le bas et tirez la cheville de blocage jusqu'à sa position de déploiement maximum et tournez de 90°.

REMARQUE : Si la cheville de blocage est coincée et ne se tire pas vers l'extérieur lorsque la poignée est poussée légèrement vers le bas, il vous sera peut-être nécessaire d'ajuster légèrement le boulon de la butée de profondeur (voir Réglage de la butée de profondeur, page 88) de manière à pouvoir pousser la poignée vers le bas et tirer la cheville de blocage vers l'extérieur.

2. Tournez le protecteur inférieur à la main. Desserrez le vis avant de la plaque de recouvrement suffisamment pour pouvoir soulever cette dernière (Figure 1).

3. Tournez la plaque de recouvrement en sens anti-horaire de manière à exposer le boulon de lame (Figure 1).

4. Appuyez sur le blocage de l'arbre et maintenez-le (voir figure à la page 81). À l'aide de l'outil universel ou clé universel en L, enlevez le boulon de lame en tournant la clé dans le sens horaire. REMARQUE : Le boulon de lame est muni d'un filetage à gauche.

5. Retirez le boulon de lame, la rondelle extérieure et la lame. Il n'est pas nécessaire de retirer la rondelle intérieure (Figure 2).

6. Pour installer une lame de 12 po, positionnez celle-ci entre les déflecteurs à copeaux et placez-la sur la tige de l'arbre puis sur l'épaulement de 1 po dont est dotée la rondelle intérieure (Figure 3). REMARQUE : Assurez-vous que la flèche de rotation de la lame correspond à la flèche de rotation en sens horaire sur le protecteur inférieur.

### ⚠ AVERTISSEMENT

Pour éviter d'éventuelles blessures, n'utilisez pas de lame de plus ou de moins que 12 po de diamètre et arbre de 1 po.

7. Remettez la rondelle extérieure en place dans son orientation correcte et serrez le boulon de lame à la main. Enfoncez le blocage de l'arbre et serrez l'écrou de lame fermement à l'aide de l'outil universel ou clé universel en L. Ne serrez toutefois pas trop fort.

8. Tournez la plaque de recouvrement en sens horaire à sa position d'origine. Serrez le vis avant ainsi que la vis arrière de la plaque de recouvrement.

### ⚠ AVERTISSEMENT

Serrez la vis de la plaque de recouvrement. Une vis lâche de plaque de recouvrement peut gêner le protecteur inférieur de lame et suspendre ce dernier. N'utilisez jamais la scie sans la plaque de recouvrement solidement en place. Le protecteur inférieur ne fonctionnera pas adéquatement.

9. Assurez-vous que le blocage de l'arbre est relâché de

manière à ce que la lame tourne librement.

### ⚠ AVERTISSEMENT

Après avoir posé une nouvelle lame, assurez-vous que la lame ne gêne pas l'insert de table aux positions de biseau de 0 et de 45 degrés. Abaissez la lame dans la fente de la table et vérifiez s'il y a quelque contact que ce soit avec la base ou la structure de la table tournante. Si la lame vient en contact avec la base ou la table, obtenez un service autorisé.

10. Rangez l'outil universel ou clé universel en L dans la rondelle isolante située à l'arrière droit de la machine.

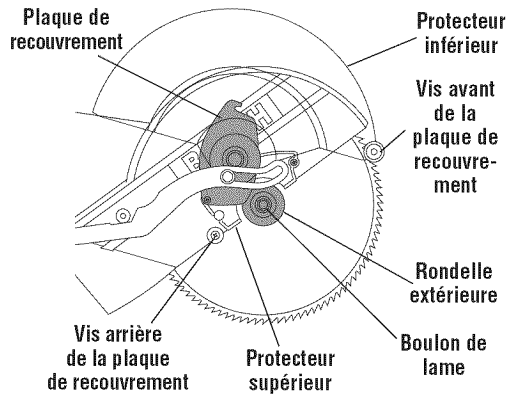


Figure 1. Dépose de la lame

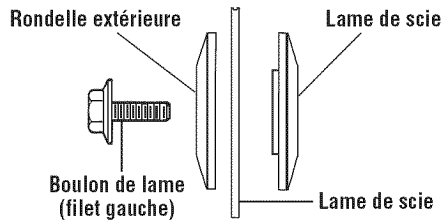


Figure 2. Ferrures de lame

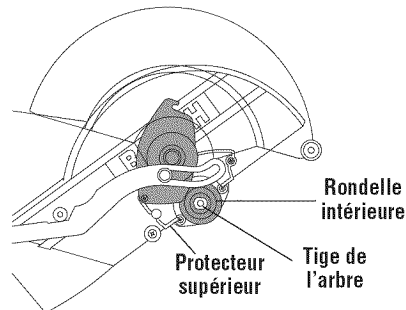


Figure 3. Pose de lame

## Assemblage

### Assemblage du coude de poussière et du sac à poussière

1. Le bras d'onglet étant bloqué en position descendue, poussez le coude de poussière sur la orifice poussière. Enfoncez le sac à poussière sur le coude et faites pivoter les deux pièces pour les mettre dans la position désirée. (Figure 4).
2. Positionnez le coude/sac à poussière de manière à ce qu'il ne gêne pas l'outil durant la coupe pour tous les réglages d'onglet et de biseau. Assurez-vous que le sac à poussière ne gêne pas les rails coulissants durant la coupe par glissement.
3. Le sac doit être vidé lorsqu'il est plein de bran de scie. Videz-le souvent et après avoir fini de scier. Retirez soigneusement le sac à poussière du coude à poussière. Videz le sac à poussière dans une poubelle appropriée en ouvrant la fermeture à glissière du sac. Faites particulièrement attention au bran de scie mis au rebut car les fines

particules de matières peuvent être explosives. Ne jetez pas de bran de scie dans un feu ouvert. Une combustion spontanée peut parfois résulter d'un mélange d'huile ou d'eau avec des particules de poussière.

Remarque : Le coude à poussière peut également être fixé à un tube d'aspiration standard de 1-1/4 po pour collecte de la poussière.

**▲ AVERTISSEMENT** Redoublez de prudence en sciant du bois traité chimiquement sous pression, de la peinture pouvant être à base de plomb ou tout autre matériau pouvant contenir des agents cancérigènes. Un respirateur adéquat doit être porté par tous les personnes pénétrant dans l'aire de travail. L'aire de travail doit être scellée à l'aide de feuilles en plastique, et les personnes non protégées doivent être maintenues à l'extérieur jusqu'à ce que la zone de travail soit nettoyée à fond.

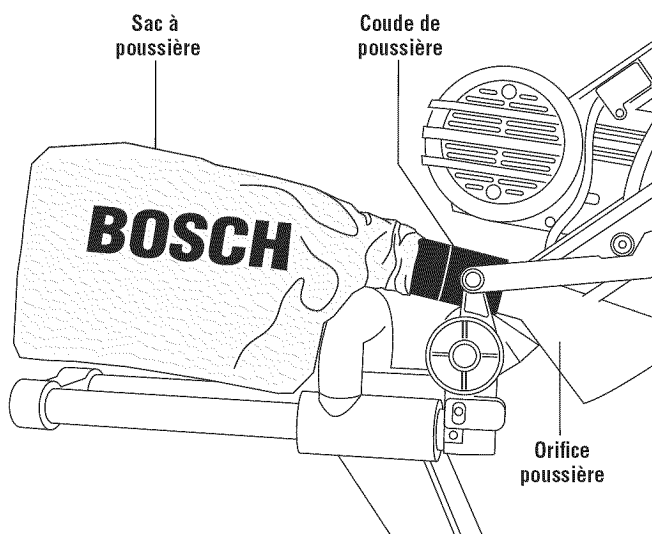


Figure 4. Coude et sac à poussière

## Réglages

### **⚠ AVERTISSEMENT**

Débranchez la fiche de la prise de courant avant d'effectuer tout assemblage, réglage ou réparation pour éviter d'éventuelles blessures.

REMARQUE : Votre scie à onglet a été entièrement réglée à l'usine. Cependant, un léger désalignement peut s'être produit en cours d'expédition. Vérifiez les réglages suivants et ajustez, au besoin, avant d'utiliser cette scie à onglet.

#### Contrôle du réglage du biseau à 0°

1. Abaissez l'ensemble de la tête et enfoncez la goupille de blocage de l'ensemble de la tête pour maintenir celle dernière en place.
2. Faites coulisser l'ensemble de la tête à fond vers l'arrière et serrez le bouton de blocage des rails coulissants.
3. Tournez la table pour la mettre à la position d'onglet 0°.
4. Relevez le levier de blocage du biseau pour le débloquer.
5. Vérifiez que le bouton-sélecteur de la plage de biseau est sur la position 0° - 45°.
6. Inclinez l'ensemble de la scie vers la gauche en sens anti-horaire ensuite faites-la pivoter vers la droite (en sens horaire) jusqu'à ce que vous ayez le sentiment que la butée est dans la position verticale. C'est la position actuelle du réglage de biseau à 0°.

Abaissez la lame et engagez la cheville de blocage. Utilisez une équerre à combinaison pour vérifier si la lame est d'équerre par rapport à la table. Placez l'équerre sur la table et pressez-la contre la lame. Si la lame ne vient pas en contact avec toute la longueur de l'équerre (Figure 5), suivez la procédure d'alignement décrite ci-après.

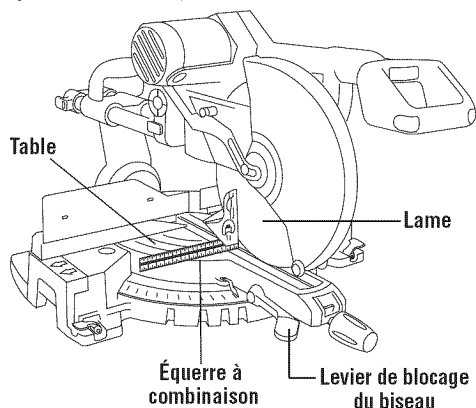


Figure 5. Lame d'équerre par rapport à la table

#### Réglage de la lame à 0° (90° par rapport à la table)

1. Soulevez le levier de blocage du biseau pour le desserrer.
2. Desserrez les têtes des boulons 'A' et 'B' d'au moins un tour complet à l'aide de la clé plate de 10 mm (Figure 6).

3. Mettez l'embout de clé Allen de 4 mm sur l'outil universel et placez-le sur la vis de réglage 'D' (Figure 6)
4. Desserrez la vis de réglage 'D' d'au moins trois tours complets à l'aide de la clé plate de 4 mm (Figure 6).

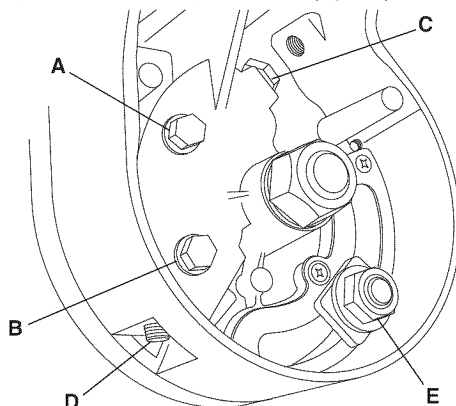


Figure 6. Réglage de la lame à 0° (90° par rapport à la table)

#### Figure 6. Réglage de la lame à 0° (90° par rapport à la table)

5. Placez l'équerre à combinaison à plat sur la table et contre le guide (voir figure 5).
6. Tout en tournant la tête du boulon 'C', surveillez le pivotement de la lame de scie jusqu'à ce qu'elle soit alignée par rapport à l'équerre à combinaison. Une fois l'alignement obtenu, enlevez la clé.
7. Serrez la vis de réglage 'D'
8. Serrez les têtes de boulon de 10 mm 'A' et 'B'.
9. Contrôlez et réglez les index de l'angle de biseau à 0° de chaque côté de l'échelle des angles de biseau.
10. Poussez le levier de blocage du biseau vers le bas avant de scier.

#### Réglage de la tension du levier de blocage du biseau

1. Soulevez le levier de blocage du biseau pour le débloquer
2. Placez la clé plate de 17 mm sur la tête du boulon 'E' (Figure 6).
3. Tournez l'écrou 'E' de 1/8 de tour en sens horaire pour augmenter la tension sur le levier de blocage du biseau ou de 1/8 de tour en sens anti-horaire pour la diminuer.
4. Poussez le levier de blocage du biseau vers le bas.
5. Vérifiez que la tension du levier de blocage du biseau est suffisante pour maintenir fermement la position du réglage de biseau tout en permettant au levier de blocage de biseau de venir solidement en butée lorsqu'on le bloque.
6. Si nécessaire, répétez les étapes 1 à 5 pour régler la tension.

## Réglages

### Lame à 45° par rapport à la table

#### Vérification du réglage du biseau à 45°

1. Abaissez l'ensemble de la tête et enfoncez la goupille de blocage de l'ensemble de la tête pour maintenir celle-ci en place.
2. Faites coulisser l'ensemble de tête à fond vers l'arrière et serrez le bouton de blocage des rails coulissants.
3. Tournez la table pour la mettre à la position d'onglet 0°.
4. Relevez le levier de blocage du biseau pour le débloquer.
5. Vérifiez que le bouton-sélecteur de la gamme de biseau est sur la position 0° - 45°.
6. Inclinez l'ensemble de la scie vers la gauche en sens anti-horaire ensuite faites-la pivoter vers la droite (sens horaire) jusqu'à ce que vous sentiez la butée à 45° à gauche. C'est la position actuelle du réglage de biseau à 45° à gauche.

Utilisez un des côtés de l'équerre à combinaison pour contrôler la position de la lame en butée à 45°. Placez le côté de l'équerre à combinaison sur la table et appuyez la surface à 45° contre la lame. Si la lame ne touche pas complètement la

surface de l'équerre (figure 5), suivez la méthode de réglage qui suit.

#### Réglage de la lame à 45° par rapport à la table

1. Soulevez le levier de blocage du biseau pour le desserrer.
2. Inclinez la tête de la scie et amenez-la sur la butée à 45° à gauche.
3. Positionnez la base de l'équerre à combinaison (règle enlevée) de manière à ce que son côté à 45° soit contre la lame (voir figure 7).
4. Placez la clé plate de 10 mm sur la tête de boulon 'F' (Figure 8).
5. Tout en tournant le boulon 'F', surveillez le pivotement de la lame de scie jusqu'à ce qu'elle soit alignée par rapport à la surface à 45° de la base de l'équerre à combinaison.
6. Contrôlez et réglez les index de l'angle de biseau à 45° de chaque côté de l'échelle des angles de biseau.
7. Poussez le levier de blocage du biseau vers le bas avant de scier.

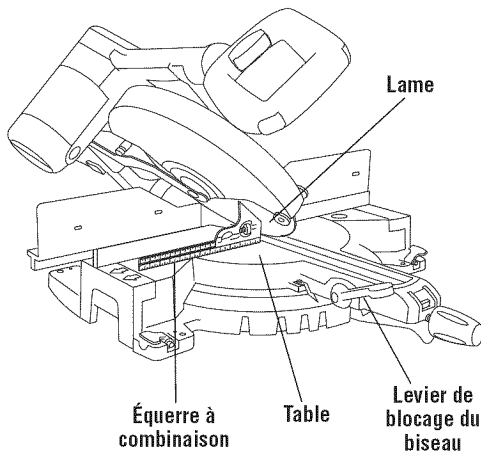


Figure 7. Lame à 45° par rapport à la table

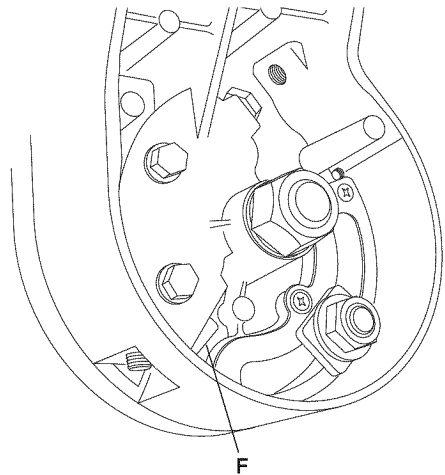


Figure 8. Réglage de la lame à 45° par rapport à la table

## Réglages

### Lame d'équerre par rapport au guide

1. Assurez-vous que l'ensemble de la tête est positionné vers l'avant près du centre de la table et que le bouton de blocage des rails coulissants est serré.
2. Abaissez l'ensemble de la tête, sortez la goupille de blocage en la tirant et tournez-la de 90°, faites-la pivoter pour bloquer l'ensemble de la tête en position basse. Assurez-vous que la table est au cran 0° et serrez le bouton de blocage d'onglet. Placez l'équerre adéquatement de manière à ce qu'elle ne vienne pas en contact avec les dents de la lame de scie. La lame de scie doit venir en contact avec toute la longueur de l'équerre (Figure 9).
3. Si la lame ne vient pas en contact avec l'équerre, suivez la procédure d'alignement du guide.

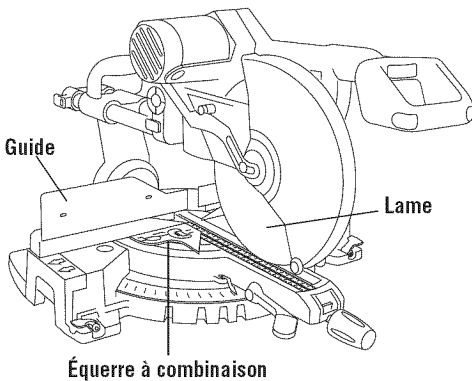


Figure 9. Lame d'équerre par rapport au guide

### Alignement du guide

- a. Enlevez les rallonges coulissantes du guide.
- b. La tête doit demeurer abaissée.
- c. Utilisez de l'outil universel (fournie avec modèle 5412 seulement) ou utilisez un 7/16 po douille et desserrez quatre (4) boulons hexagonaux situés derrière le guide. (Figure 10).
- d. Ajustez le guide jusqu'à ce que lame et le guide soient entièrement en contact avec l'équerre.
- e. Serrez les boulons hexagonaux.
- f. Remontez le guide coulissant.

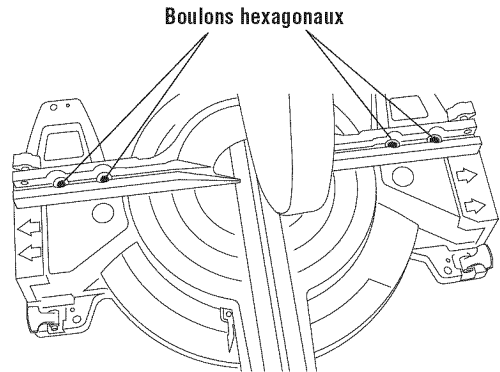


Figure 10. Réglage du guide

### Réglage de l'indicateur de l'échelle graduée d'onglet

1. Tournez la table à la position 0° et bloquez en place.
2. Levez la tête jusqu'à sa position entièrement levée.
3. Desserrez la vis à empreinte cruciforme qui tient l'indicateur en place (Figure 11).
3. Positionnez l'indicateur de manière à ce qu'il s'aligne sur la marque d'onglet 0°. Serrez la vis.

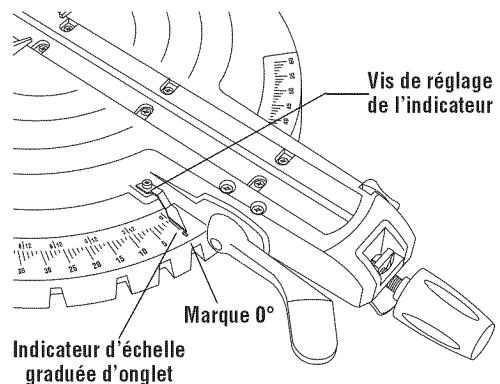


Figure 11. Réglage de l'échelle graduée d'onglet

## Réglages

### Insert d'encoche

L'insert d'encoche doit être ajusté à proximité de la lame, mais sans toucher la lame, pour éviter un arrachement sur le bas de l'ouvrage.

1. Abaissez la tête et bloquez en place.
2. Desserrez les six vis (6) de fixation de l'encoche livrant passage à la lame à l'aide de l'outil universel ou clé universel en L (Figure 12).
3. Ajustez les inserts d'encoche aussi près que possible de la lame (dents) sans toucher la lame.
4. Serrez les vis d'encoche.

REMARQUE : À des angles extrêmes de biseau, la lame de scie peut couper légèrement dans l'insert d'encoche.

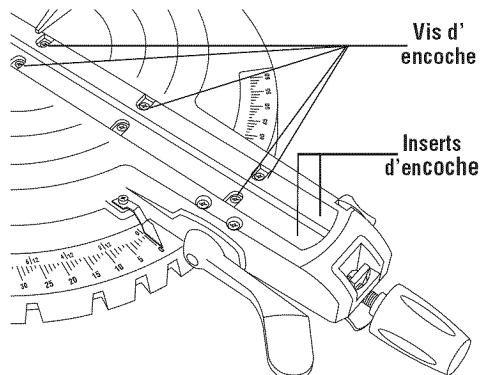


Figure 12. Insert d'encoche

### Réglage de la profondeur

- Lorsque le diamètre de la lame a été réduit en raison d'un affûtage, il peut être nécessaire d'ajuster la butée de profondeur. Lorsqu'une nouvelle lame est posée, il faut vérifier l'écartement de la lame par rapport à la structure de la table tournante.

#### Réglage de la profondeur de la lame pour des sciages débouchants normaux

- Le réglage de la butée de profondeur est utilisé pour pratiquer des rainures dans l'ouvrage. (Voir page 99 sur la façon de pratiquer les rainures.)
1. Desserrez et tournez les deux contre-écrous pour les amener juste à l'extrémité du filetage du boulon de butée de profondeur (Figure 13).
  2. Enfoncez le bouton de déblocage de la butée de profondeur et tirez sur celle-ci jusqu'à ce que les écrous touchent le dessous de son support (Figure 13).
  3. Réglez la table à la position d'onglet à 0°. Abaissez la tête de la scie et repoussez-la à fond vers l'arrière.
  4. Tout en surveillant la lame et le coin ou la lame et le guide se rencontrent, tournez le boulon de butée de profondeur de manière à régler la position de la lame à environ 1/4 po en dessous de la surface de la table.
  5. Laissez la tête de la scie revenir en position haute.
  6. Serrez les deux contre-écrous contre le dessous du support. Serrez les contre-écrous l'un contre l'autre.
  7. Faites un essai de sciage en faisant coulisser la tête (avec l'outil débranché) pour vérifier que la lame ne touche pas la table. Si elle ne la touche pas, faites un essai de sciage (avec l'outil branché) sur une chute pour vérifier que la

coupe débouche complètement au niveau du bord inférieur avant de la pièce.



**MISE EN GARDE**

Ne mettez pas la scie à onglet en marche sans avoir vérifié s'il y a l'interférence entre la lame et la structure de la table tournante. La lame pourrait être abîmée si elle coupe dans la structure de la table.

#### Réglage de la profondeur de coupe pour scier des rainures

On peut facilement régler la butée de profondeur pour limiter la profondeur de sciage, lorsqu'on veut créer une rainure grossière par exemple.

(voir instructions page 99)

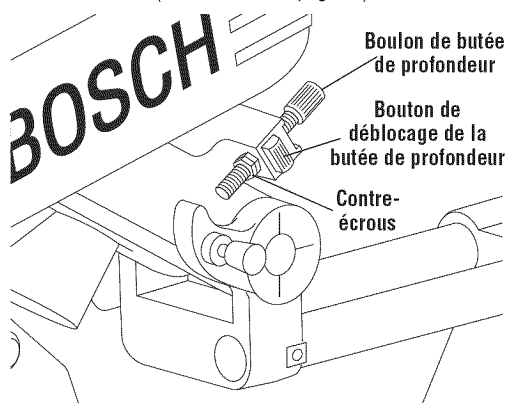


Figure 13. Réglage de profondeur



## Transport, positionnement et montage

### **AVERTISSEMENT**

Pour éviter des blessures, observez toujours les mesures suivantes :

- Débranchez le cordon. Avant de transporter la scie, tournez sa tête et bloquez l'ensemble à 60° à droite, bloquez-la sur le cran, faites coulisser l'ensemble de tête pour l'amener à mi-course des rails coulissants, serrez le bouton de blocage des rails coulissants et bloquez l'ensemble de la tête en position basse.

### **Pour soulever la scie**

- Pour éviter des lésions au dos, tenez l'outil à proximité de votre corps lorsque vous le soulevez. Pliez vos genoux de manière à pouvoir le lever avec les jambes, et non avec le dos.
- Soulevez en utilisant les poignées moulées sur chaque côté au bas de la base.
- Autre méthode de levage : quand vous soulevez l'outil du sol, utilisez la poignée de transport arrière et la poignée de transport avant (située au-dessus du capot protecteur).

- **Ne transportez jamais l'outil par les rails coulissants (coulisseau) car ceci risque d'abîmer la lame.**

**Ne soulevez jamais l'outil par la poignée de l'interrupteur car ceci risque de fortement l'endommager.**

- Ne transportez jamais la scie à onglet par le cordon électrique ou par la poignée d'opération. Toute tentative de soulever ou de transporter l'outil par le cordon électrique abîmera l'isolation et les connexions de fils, provoquant ainsi une secousse électrique ou un incendie.
- Notez la position de la scie. Les personnes se tenant derrière la scie pourraient être blessées par la projection de débris.
- Placez la scie sur une surface ferme et à niveau comportant amplement d'espace pour manier et supporter adéquatement l'ouvrage.
- Boulonnez, clouez ou cramponnez la scie à son support.

### **MISE EN GARDE**

**Veillez à ne pas enfoncer excessivement le clou ou à ne pas serrer excessivement le boulon.** Ceci pourrait craquer le pied ou abîmer la base.

## Applications de montage

### **Établi**

Montez la scie à l'établi à l'aide des quatre trous de boulon (5/16 po) ou des quatre trous de clou (Figure 14). Assurez-vous d'un dégagement suffisant à gauche et à droite de la scie.

1. Chacun des quatre trous de montage doit être boulonné solidement à l'aide de boulons de 5/16 po, de rondelles d'arrêt et d'écrous hexagonaux (non fournis).
2. Repérez et marquez l'emplacement du montage de la scie.
3. Percez quatre (4) trous de 5/16 po de diamètre à travers l'établi.
4. Placez la scie à onglet sur l'établi en alignant les trous de la base sur ceux percés dans l'établi. Posez des boulons, des rondelles d'arrêt et des écrous hexagonaux. Vous pouvez également fixer la scie en vissant des vis à plaques de plâtre par les quatre trous de clou.

La surface d'appui où la scie doit être montée doit être examinée soigneusement après le montage pour s'assurer qu'il ne pourra y avoir aucun mouvement durant l'usage. En cas de basculement ou d'avance, fixez solidement l'établi ou le support avant d'utiliser la scie à onglet composée.

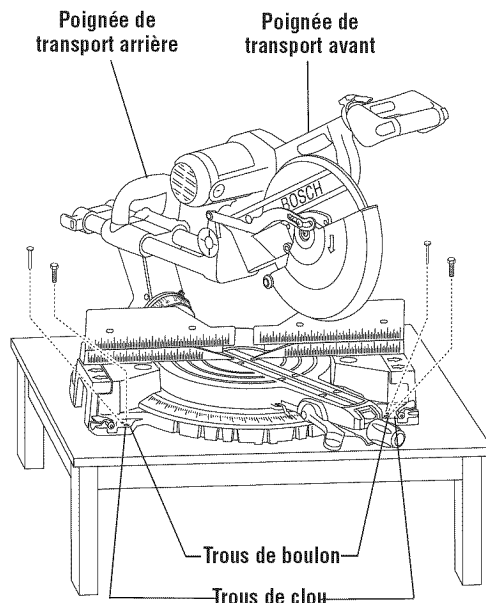


Figure 14. Montage à l'établi

## Montage de la scie

### Montage portatif à l'aide de serre-joints

- Si besoin est, cramponnez la scie à onglet à un établi ou à une table.
- Placez au moins deux (2) serre-joints en C sur les surfaces de cramponnage et fixez solidement (Figure 15).
- Faites attention de ne pas placer les serre-joints au-dessus des leviers de blocage des rallonges de l'embase (Figure 15).
- Le montage avec des serre-joints empêchera d'utiliser les angles d'onglet importants.

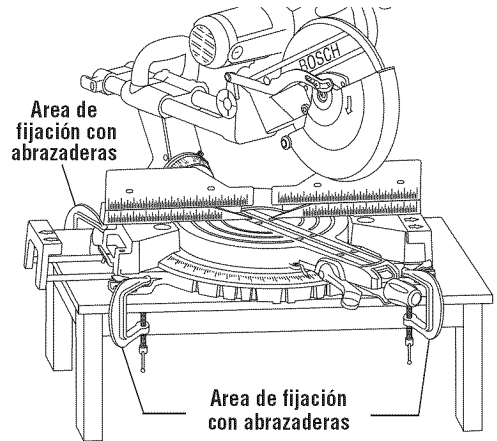


Figure 15. Montage portatif à l'aide de serre-joints

## Réglage de la poignée-interrupteur à quatre positions (modèle 5412 seulement)

### Réglage de la poignée principale à la position désirée

La poignée-interrupteur peut être placée dans quatre positions différentes selon la situation du sciage ou la préférence de l'utilisateur :

- Verticale
- Horizontale
- À 45° à gauche
- À 45° à droite

Pour repositionner la poignée principale :

1. Desserrer le blocage de la poignée (Figure 16).
2. Tirez sur la manette de déblocage de la rotation de la poignée et tenez-la (Figure 16).
3. Tournez la poignée pour la mettre à la position désirée.
4. Relâchez la manette de déblocage pour asseoir la poignée à sa place. La manette ne peut se rétracter que dans l'une des quatre (4) positions.

Remarque : L'interrupteur ne peut pas être actionné si la manette de déblocage n'est pas rétractée. Ne tentez pas de mettre l'outil en marche quand la poignée est dans une position intermédiaire, il y a risque d'endommager l'outil.

5. Serrez le blocage de la poignée.

### Réglage de la tension du blocage de la poignée à quatre positions

1. Ouvrez le blocage de la poignée.

2. À l'aide d'une clé Allen de 1,5 mm, augmentez la tension en tournant les deux vis de réglage de 1/4 de tour à gauche. Diminuez-la en tournant vers la droite. Réglez toujours les deux vis de réglage du même montant.
3. Fermez le blocage de la poignée.
4. Contrôlez la tension.

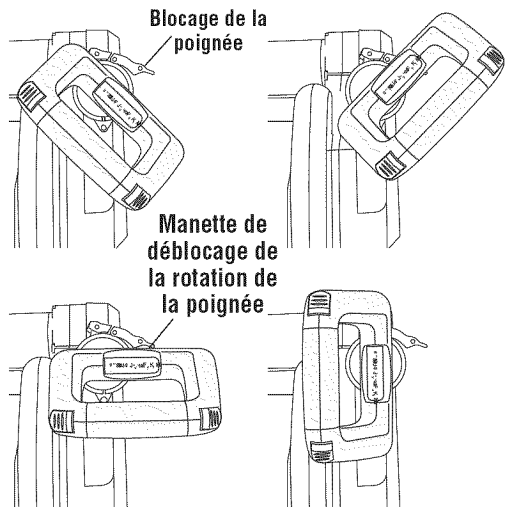
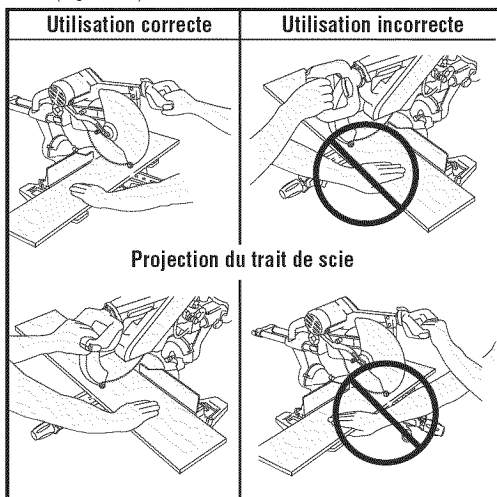


Figure 16. Réglage de la position de la poignée principale

# Opérations de base de la scie

## Position du corps et des mains

**▲ AVERTISSEMENT** Positionnez votre corps et vos mains adéquatement pour rendre la coupe plus facile et plus sûre. Observez les instructions suivantes (Figure 17).



- Ne placez jamais les mains près de la zone de coupe. Ne mettez pas les mains ou les bras dans la zone interdite aux mains.
- Remarquez l'autocollant « Zone interdite aux mains » de chaque côté de l'embase. La « zone interdite aux mains » est définie comme toute la table plus la partie de l'embase à droite et à gauche qui tombe entre le bord extérieur de ces deux autocollants et les parties du guide qui sont à l'intérieur de ces limites.
- Soyez attentif à la trajectoire de la lame de scie. Faites un essai de sciage à blanc avec la scie arrêtée, simulez un cycle de sciage et repérez la trajectoire de la lame de scie. Éloignez les mains de la trajectoire de la lame de scie.

**SCIAGE À BLANC** – Il est important de savoir où la lame rencontre la pièce pendant le sciage. Effectuez toujours la simulation de coupe avec la scie à l'arrêt afin de comprendre la trajectoire de la lame de scie. Prenez note mentalement de la position de la trajectoire de la lame de scie et positionnez la pièce de manière à ce que vos mains et vos bras ne se trouvent pas dans la trajectoire de la lame en rotation. Réglez vos brides et guides de manière à ne pas entraver le mouvement de coupe ou de nuire à la régularité du mouvement du capot protecteur inférieur.

- Tenez la pièce fermement contre la table et le guide pour empêcher tout mouvement.
- Gardez les mains en place jusqu'à ce que la gâchette ait été relâchée et que la lame se soit complètement arrêtée.

- Ne placez jamais les mains sur les rails coulissants. Gardez les pieds fermement sur le plancher et maintenez un bon équilibre.
- Suivez le bras d'onglet en coupant à gauche ou à droite. Tenez-vous légèrement sur le côté de la lame de scie.

**▲ AVERTISSEMENT** Il se peut que le protecteur inférieur ne s'ouvre pas automatiquement dans certaines conditions de coupe. Par exemple, quand vous essayez de scier des pièces qui sont proches de la capacité de coupe maximale en hauteur. Dans de telles conditions, ou pendant le mouvement coulissant de la coupe, l'ouvrage peut arrêter le mouvement du protecteur inférieur avant que le mouvement vers le bas du bras ne puisse pré-ouvrir le protecteur inférieur.

### Dans ce cas :

- L'ouvrage doit être cramponné solidement. Ceci libère une main pour soulever le protecteur par le rebord suffisamment pour passer à côté de l'ouvrage (Figure 18).
- Mettez la scie en marche et commencez votre coupe.
- Lorsque vous êtes passé à côté de la position où le protecteur inférieur peut gripper, relâchez le protecteur et il continuera à lever automatiquement au fur et à mesure que vous coupez.

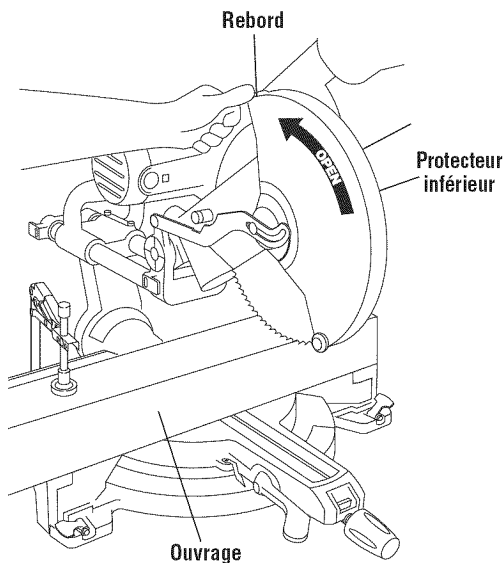


Figure 18. Levée du protecteur inférieur

## Opérations de base de la scie

### Support de l'ouvrage

**⚠ AVERTISSEMENT** Les ouvrages longs ont tendance à basculer à moins qu'ils ne soient cramponnés et ne soient dûment supportés par en-dessous.

**Serre-joints** – Ce serre-joint permet de fixer facilement une pièce sur l'un ou l'autre des deux (2) trous de serre-joint situés derrière le guide (Figure 19 et 19a).

- Un minimum de 1/2 po de partie moletée doit engager le montant du serre-joint en vue d'une fixation efficace.
- Ajustez la vis, au besoin, pour dégager le guide ou en raison de différences importantes dans les hauteurs du bois.

#### Serre-joint d'ouvrage (modèle 5312 seulement)

1. Insérez le montant de serre-joint dans le trou de serre-joint.
2. Desserrez l'écrou à oreilles et ajustez le bras à la hauteur appropriée, puis serrez l'écrou à oreilles à fond.
3. Tournez le bouton à vis du serre-joint en sens horaire pour serrer, en sens anti-horaire pour desserrer.
4. Déplacez la tête afin de vérifier l'écartement avec le serre-joint.

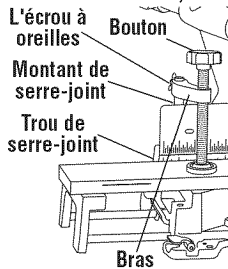


Figure 19. Serre-joint d'ouvrage

#### Serre-joint à action rapide (modèle 5412 seulement)

1. Le serre-joint étant en position ouverte (levier levé), insérez le serre-joint dans le montant du serre-joint jusqu'à ce que le pied en caoutchouc vienne en contact avec le matériau.
2. Appuyez sur le levier pour serrer le serre-joint.
3. Déplacez la tête afin de vérifier l'écartement avec le serre-joint.
4. Tirez le levier vers le haut pour relâcher le serre-joint.

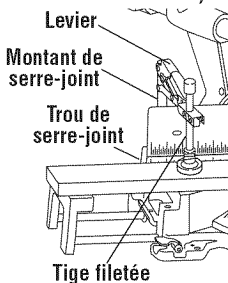


Figure 19a. Serre-joint à action rapide

**⚠ AVERTISSEMENT** Il peut y avoir des coupes composées extrêmes lorsque le serre-joint ne peut pas être utilisé. Supportez l'ouvrage avec la main à l'extérieur de la zone interdite aux mains. **N'essayez pas de couper des pièces courtes** qui ne peuvent être cramponnées et vous obligeraient à mettre la main dans la zone interdite aux mains.

**Serre-joint horizontal** – le serre-joint horizontal et la butée pour corniche en option MS1221 peuvent être montées de l'un ou l'autre côté de l'outil et permettent de tenir la pièce fermement contre le guide.

On peut utiliser les **serre-joints conventionnels** et autres dispositifs de retenue pour tenir l'ouvrage fermement contre la table et le guide.

### Support d'ouvrages longs

**Rallonges coulissantes de l'embase** – ces rallonges permettent de mieux supporter les pièces et sont surtout utiles lors du sciage de pièces longues. Pour changer leur position, il suffit de débloquer les leviers de blocage des rallonges de l'embase, de déplacer les rallonges et de bloquer les leviers (Figure 20). (Voir également butée de longueur à la page 99.)

**Tiges extra-longues de rallonges d'embase** – Ces kits de rallonges d'embase en option MS1222 permettent aux rallonges d'embase 5312 et 5412 de ressortir de 60 po. Même après avoir installé ces tiges plus longues sur les rallonges base, ces dernières peuvent être rétractées complètement pour transporter la scie ou la ranger.

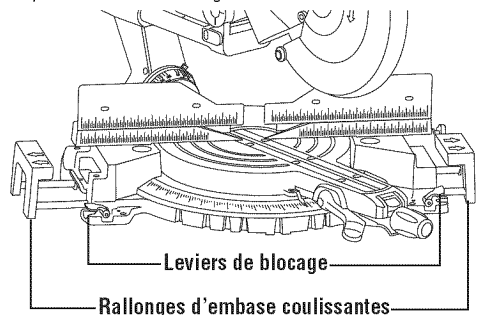


Figure 20. Rallonges d'embase coulissantes

**Blocs** – Les pièces longues ont besoin d'être mieux soutenues. La hauteur de base (3-3/4 po) est conçue en fonction du bois d'œuvre standard de deux 2x4 et un 1x4. On peut utiliser des planches de ces épaisseurs pour créer des rallonges de support auxiliaires pour les ouvrages longs (Figure 21).

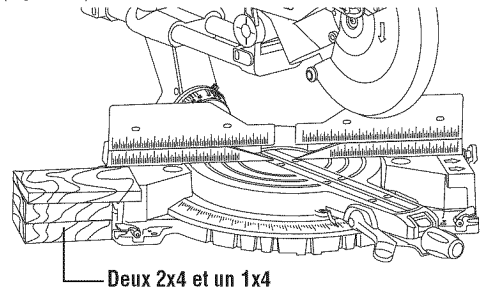


Figure 21. Bloc de support

## Opérations de base de la scie

### Guide auxiliaire

Certains types de moulure nécessitent une rallonge de face de guide en raison de la dimension et de la position de l'ouvrage. Des trous sont pratiqués dans le guide pour fixer un guide auxiliaire. Le guide auxiliaire est utilisé avec la scie en position biseau 0° seulement.

1. Placez une pièce de bois contre le guide de la scie à onglet (Figure 22). (Le bois peut avoir une hauteur maximum de 4 1/2 po.). Assurez-vous que la tête ne gêne pas le guide auxiliaire.

Pour scier des moulures sans éclater, fixez un guide auxiliaire en bois d'un seul morceau puis sciez l'encoche avec la scie à onglet.

2. Marquez les emplacements des trous de support sur le bois depuis l'arrière du guide.

3. Percez et fraisez les trous à l'avant de la planche de support.

4. Fixez le(s) guide(s) auxiliaire(s) à l'aide de deux (2) vis à machine à tête fraisée de 3/16 po. Avec un guide auxiliaire de 3/4 po d'épaisseur, utilisez des vis de 1-1/2 po de long. Fixez-les derrière le guide en métal à l'aide de rondelles et d'écrous à machine.

Ou bien : avec un guide auxiliaire de 3/4 po, utilisez des vis à bois à tête ronde de 1/4 po (3/4 po de long). Percez quatre (4) avant-trous de diamètre inférieur à 1/4 po dans le guide auxiliaire et enfitez les vis par les trous du guide en métal pour les visser dans le guide en bois.

5. Pratiquez une coupe de profondeur normale pour créer la fente à lame. Vérifiez s'il y a interférence entre le guide aux-

iliaire et le protecteur inférieur de lame. Faites des ajustements au besoin.



**AVERTISSEMENT**

Vérifiez s'il y a interférence causée par un composant quelconque.

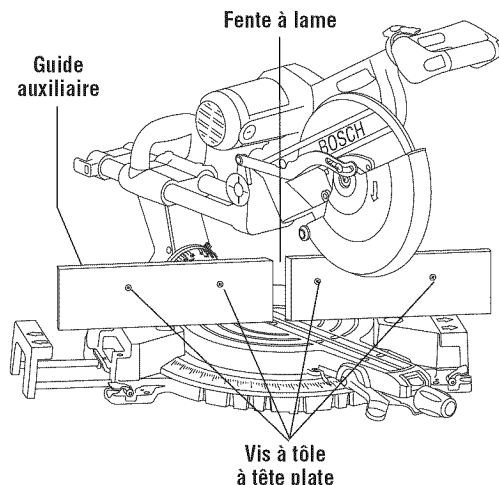


Figure 22. Guide auxiliaire

### Actionnement de l'interrupteur

Pour raisons de sécurité, le levier interrupteur est conçu pour éviter les démarrages intempestifs. Pour actionner l'interrupteur de sécurité, enfoncez le bouton de déverrouillage du blocage de l'interrupteur sur arrêt avec un pouce pour déverrouiller le blocage puis tirez sur le levier de l'interrupteur et relâchez le bouton (Figure 23). Quand on relâche le levier de l'interrupteur, le bouton de déverrouillage du blocage sur arrêt de l'interrupteur s'enclenche automatiquement et empêche à nouveau l'actionnement du levier de l'interrupteur jusqu'à ce qu'un des boutons de déverrouillage du blocage sur arrêt soit à nouveau enfoncé.

REMARQUE : Le levier de l'interrupteur permet d'adapter un cadenas avec une anse longue de 1/4 po de diamètre (non fourni avec la scie à onglet pour empêcher toute utilisation non autorisée).

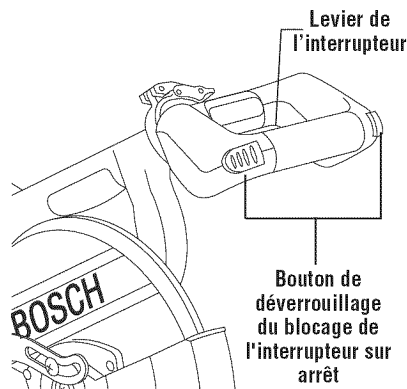


Figure 23. Actionnement de l'interrupteur

## Opérations de base de la scie

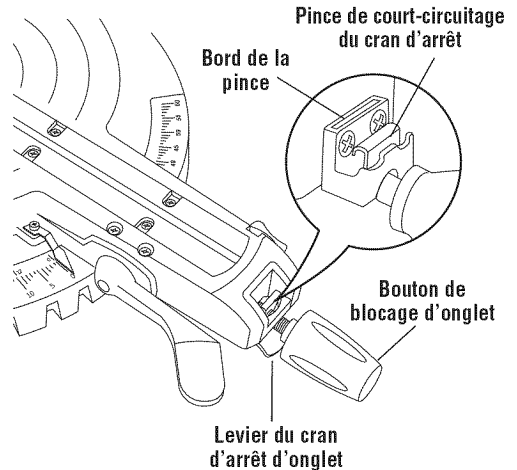
### Court-circuitage du cran d'arrêt d'onglet

Le système d'effacement des crans d'onglet supprime l'action des crans, ce qui permet un réglage fin de l'angle d'onglet sur n'importe quelle position. Quand l'angle d'onglet désiré est proche d'un angle d'onglet standard muni d'un cran, ce système empêche le coin du bras d'onglet de se glisser dans l'encoche située sur l'embase.

1. Soulevez le levier du cran d'arrêt d'onglet et tenez-la (sous le bras de l'embase).
2. Poussez la pince de court-circuitage du cran d'arrêt vers l'avant et verrouillez en place par-dessus le bord. Relâchez le levier du cran d'arrêt d'onglet (Figure 24)
3. Déplacez le bras d'onglet à toute position sur l'échelle graduée d'onglet.
4. Bloquez le bouton de blocage d'onglet pour fixer la position de l'onglet.

#### Pour relâcher :

5. Desserrez le bouton de blocage de l'onglet et soulevez le levier du cran d'arrêt d'onglet pour libérer la pince du système d'effacement des crans. La pince doit se dégager automatiquement et la table doit se bloquer à tout cran d'arrêt d'onglet désiré.



### Rallonges d'embase et guides coulissants

#### ⚠ AVERTISSEMENT

De manière à fournir un espace suffisant entre la main et la lame de scie (6 po minimum), déployez les rallonges d'embase et les guides coulissants quand vous faites des coupes en biseau, en onglet ou composées à des angles très aigus.

Les rallonges d'embase peuvent aussi être utilisées pour fournir un support supplémentaire lors du sciage de pièces longues.

#### Embase coulissante

1. Desserrez les leviers de blocage des rallonges d'embase (Figure 25).
2. Déployez les rallonges d'embase coulissantes et amenez-les à la position désirée.
3. Appuyez vers le bas sur les leviers pour bloquer les rallonges à la position choisie.

#### Guides coulissants

1. Desserrez les leviers de blocage des guides (derrière le guide).
2. Placez le guide à la position correcte en le faisant glisser.
3. Serrez les boutons pour bloquer le guide à sa place.

#### Pour démonter temporairement un guide coulissant :

Pour scier selon des angles composés très aigus, il se peut qu'il vous faille enlever un des guides coulissants.

1. Dévissez le bouton du guide jusqu'à ce qu'au moins 1/2 po de filets dépasse.
2. Faites coulisser le guide pour l'amener en position centrale.

3. Soulevez le guide pour l'enlever.
4. Serrez le bouton.

Après avoir terminé le sciage, remontez le guide coulissant en inversant la procédure ci-dessus.

#### ⚠ MISE EN GARDE

Pour transporter la scie, il faut toujours bloquer les rallonges d'embase et les guides coulissants dans la position complètement rétractée.

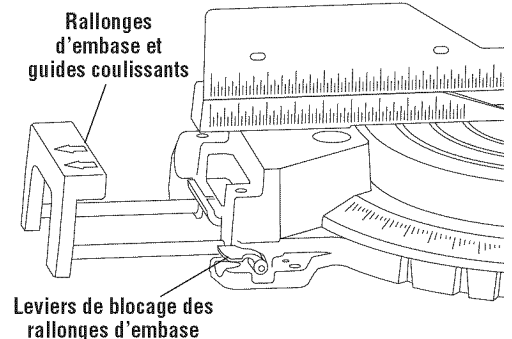


Figure 25. Rallonges d'embase et guides coulissants

Voir page 92 pour des renseignements concernant d'autres types de supports de pièce.

## Opérations de la scie

### Coupe de fente

- Le bouton de blocage des rails coulissants est serré et la tête est abaissée de manière à couper à travers l'ouvrage.
- Ce type de coupe est utilisé principalement pour les pièces étroites.

#### Suivez ces instructions pour pratiquer votre coupe de fente :

1. Faites glisser la tête vers l'arrière aussi loin que possible (Figure 26).
2. Serrez le bouton de blocage des rails coulissants (Figure 26).
3. Positionnez l'ouvrage correctement. Assurez-vous que l'ouvrage est cramponné fermement contre la table et le guide.

**▲ AVERTISSEMENT** Utilisez une position de cramponnement qui ne gêne pas le fonctionnement. Avant de mettre en marche, abaissez la tête pour vous assurer que le serre-joint dégage le protecteur et la tête.

4. Actionnez l'interrupteur. Abaissez la tête et pratiquez votre coupe.

5. Attendez que la lame s'arrête complètement avant de relever la tête et/ou de retirer l'ouvrage.

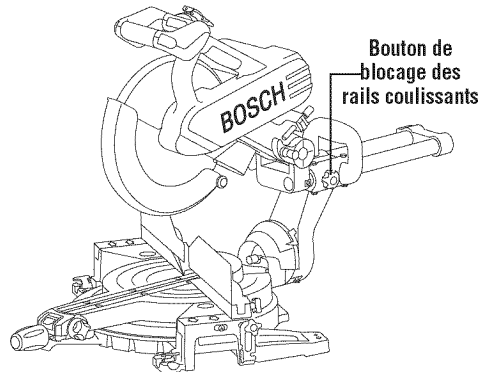


Figure 26. Coupe de fente

### Coupe par glissement

- Le bouton de blocage des rails coulissants est lâche, la tête est tirée vers l'opérateur, la tête est abaissée jusqu'à l'ouvrage, puis poussée vers l'arrière de la scie pour pratiquer la coupe.
- Ce type de coupe est utilisé principalement pour les pièces larges.
- Un crochet de lame positif de 10 degrés ou plus est recommandé pour une meilleure performance en pratiquant des coupes agressives ou en coupant des matériaux plus épais.

**▲ AVERTISSEMENT** Ne tirez JAMAIS la scie vers vous durant une coupe. La lame peut soudainement grimper sur le dessus de l'ouvrage et forcer son chemin vers vous.

#### Suivez ces instructions pour pratiquer votre coupe par glissement :

1. Positionnez l'ouvrage correctement. Assurez-vous que l'ouvrage est cramponné fermement contre la table et le guide.

**▲ AVERTISSEMENT** Utilisez une position de cramponnement qui ne gêne pas le fonctionnement. Avant de mettre en marche, abaissez la tête pour vous assurer que le serre-joint dégage le protecteur et la tête.

2. Desserrez le bouton de blocage des rails coulissants.
3. Saisissez la poignée de l'interrupteur et tirez la tête en sens opposé au guide, jusqu'à ce que la lame dégage l'ouvrage ou jusqu'à son prolongement maximum si la lame ne peut dégager l'ouvrage (Figure 27).

4. Actionnez l'interrupteur. Abaissez la tête jusqu'en bas et coupez à travers le bord de l'ouvrage.
5. Poussez (sans forcer) la tête vers le guide jusqu'à la position arrière maximum pour terminer la coupe.
6. Attendez que la lame s'arrête complètement avant de relever la tête et/ou de retirer l'ouvrage.

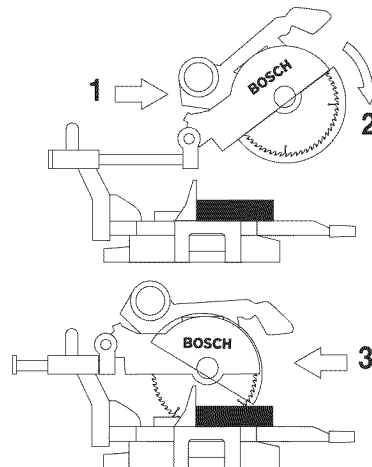


Figure 27. Coupe par glissement

## Opérations de la scie

### Coupe à l'onglet

- Une coupe d'onglet est une coupe en travers avec la lame verticale (non inclinée) et horizontalement en angle par rapport au guide.
- Une coupe d'onglet s'effectue avec le biseau à 0° et à n'importe quel angle entre 52° à gauche et 60° à droite.
- L'échelle des angles d'onglet indique l'angle de la lame par rapport au guide. Elle est moulée dans la table pour faciliter sa lecture.
- Des crans d'arrêt positifs ont été créés à 0°, 15°, 22,5°, 31,6° et 45° à gauche et à droite, et à 60° à droite.
- Les crans pour le sciage de corniches (à gauche et à droite) se situent à 31,6° (voir sciage de corniches pour de plus amples renseignements à la page 101).
- Pour scier avec précision à des angles proches des crans, utilisez le système d'effacement des crans pour supprimer ceux-ci. Ceci empêche le coin du levier de cran d'arrêt de glisser dans l'encoche et d'emmener la table.
- Une coupe à l'onglet peut être pratiquée comme coupe de fente ou comme coupe par glissement, suivant la largeur de l'ouvrage.
- Les inserts d'encoche doivent être aussi rapprochés de la lame que possible sans toucher la lame (voir Inserts d'encoche pour procédures de réglage).

#### Suivez ces instructions pour pratiquer votre coupe à l'onglet :

1. Desserrez le bouton de blocage de l'onglet. Soulevez le levier de cran d'arrêt d'onglet et déplacez la scie pour la mettre à l'angle désiré en utilisant soit les crans soit l'échelle. Serrez le bouton de blocage de l'onglet (Figure 28).
2. Déployez les rallonges de l'embase et le guide du côté où le sciage sera effectué (voir rallonges d'embase et guide coulissant à la page 94).

3. Positionnez l'ouvrage adéquatement. Assurez-vous que l'ouvrage est cramponné fermement contre la table et le guide.

**AVERTISSEMENT** Utilisez une position de cramponnage qui ne gêne pas le fonctionnement. Avant de mettre en marche, abaissez la tête pour vous assurer d'un écartement suffisant entre le serre-joint, d'une part, et le protecteur et la tête, d'autre part.

4. Suivez les instructions pour la coupe de fente ou la coupe par glissement (voir page 95).
5. Attendez que la lame s'immobilise complètement avant de remettre la tête à la position levée et/ou de retirer l'ouvrage.

#### Serre-joint à action rapide

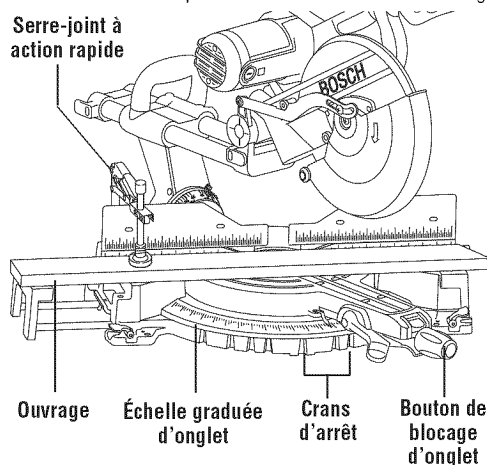


Figure 28. Coupe à l'onglet

### Coupe en biseau

- Une coupe en biseau est une coupe en travers qui s'effectue avec la lame perpendiculaire au guide et inclinée par rapport à la verticale.
- Une coupe en biseau s'effectue avec l'onglet à 0° et à n'importe quel angle de biseau entre -47° et 47°.
- L'échelle de biseau est dimensionnée et positionnée pour faciliter sa lecture.
- Le bouton-sélecteur de gamme de biseau situé sur l'avant de la scie donne trois choix de gammes de biseau.
- La machine est munie de butées de biseau réglées en usine à 0° et 45° à gauche comme à droite (Voir le chapitre réglage s'il est nécessaire de les régler).
- Elle est également munie de butées de biseau pour scier des corniches. Ces butées sont à 33,9° à gauche comme à droite.
- Désengrenez cette butée si vous ne faites pas de coupes à

33,9° (Voir sciage de corniches pour de plus amples détails).

- Suivant la largeur de la pièce, une coupe en biseau peut être effectuée soit en abaissant la lame ou en la faisant coulisser.
- Le levier de blocage du biseau situé sur l'avant de la machine permet de bloquer l'ensemble de la tête sur l'angle de biseau désiré.

1. Soulevez le levier de blocage du biseau pour le desserrer. Choisissez l'angle de biseau désiré en vous servant du bouton-sélecteur de gamme de biseau. Quand on est à la position 0°, pour passer de la position gamme de 0° à 45° à droite à la position gamme de -47° à 47°, il se peut qu'il vous faille déplacer légèrement vers la gauche l'ensemble de la tête afin de pouvoir tourner le bouton-sélecteur de gamme de biseau. Si vous appuyez sur l'ensemble de coupe, il se peut que vous ne puissiez pas déplacer le bouton-sélecteur de gamme de biseau.



### Gamme de biseau 1 = entre 45° à gauche et 0°

Cette gamme de biseau à gauche est le réglage par défaut.

#### Pour utiliser la scie sur la gamme 1 :

1. Déplacez le guide coulissant gauche pour dégager l'ensemble de la scie et re-bloquez-le (Figure 29).
2. Soulevez le levier de blocage du biseau à hauteur de la table avec la main gauche (Figure 30).
3. Agrippez la poignée de transport avant de la main droite et inclinez la tête de la scie pour la mettre à l'angle désiré.
4. Une fois dans la position de biseau désirée, appuyez à fond vers le bas sur le levier de blocage du biseau pour l'amener en dessous du niveau de la table (Figure 29).

Sans démarrer la scie, faites une coupe à blanc pour vous assurer que le guide n'interfère pas avec les capots protecteurs et réglez-le si nécessaire.

### Gamme de biseau 2 = entre 0° et 45° à droite

#### Pour utiliser la scie sur la gamme 2 :

1. Déplacez le guide coulissant droit pour dégager l'ensemble de la scie et re-bloquez-le (Figure 29).
2. Soulevez le levier de blocage du biseau à hauteur de la table avec la main gauche (Figure 30).
3. Agrippez la poignée de transport avant de la main gauche et inclinez la tête de la scie légèrement vers la gauche tout en tournant le bouton-sélecteur de gamme de biseau rappelé par ressort de la main droite de manière à ce que le symbole 45°-0° soit en face de la flèche située sur la table (Figure 31). L'ensemble de la scie peut alors être incliné pour la mettre sur un angle de biseau à droite entre 0° et la butée à 45°.
4. Une fois dans la position de biseau désirée, appuyez à fond vers le bas sur le levier de blocage du biseau pour l'amener en dessous du niveau de la table.

REMARQUE : Quand l'ensemble de la table est incliné à gauche au-delà de 0°, le bouton-sélecteur de gamme de biseau revient automatiquement à la gamme de biseau 1 (gamme par défaut). Ceci permet de récupérer la butée de biseau pré-réglée à la position 0° qui est très importante.

### Gamme de biseau 3 = entre 47° à gauche et 47° à droite

La gamme de biseau complète efface toutes les butées pré-réglées et permet de scier à des angles en biseau au-delà de l'angle à 45° habituel à droite comme à gauche.

#### Pour utiliser la scie sur la gamme 3 :

1. Déplacez les guides coulissants gauches et droits pour dégager l'ensemble de la scie et re-bloquez-les (Figure 29).
2. Soulevez le levier de blocage du biseau à hauteur de la table avec la main gauche (Figure 30).
3. Agrippez la poignée de transport avant de la main gauche et inclinez la tête de la scie légèrement vers la gauche tout en tournant le bouton-sélecteur de gamme de biseau rappelé par ressort de la main droite de manière à ce que le symbole 47°-47° soit en face de la flèche située sur la table

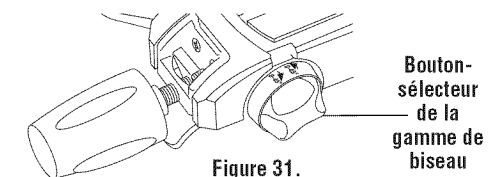
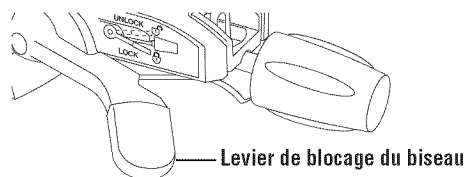
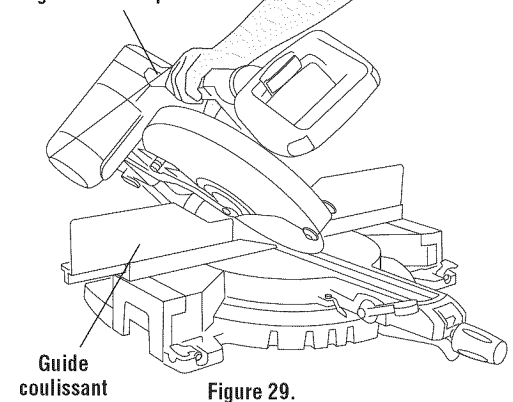
(Figure 31). L'ensemble de la scie peut alors être incliné à n'importe quel angle entre 47° à gauche et 47° à droite.

4. Une fois dans la position de biseau désirée, appuyez à fond vers le bas sur le levier de blocage du biseau pour l'amener en dessous du niveau de la table.

#### Suivez ces instructions pour pratiquer votre coupe en biseau :

5. Déployez les rallonges de l'embase et le guide du côté où vous voulez effectuer la coupe (voir rallonges d'embase et guide coulissant à la page 90).
  6. Positionnez l'ouvrage adéquatement. Assurez-vous que l'ouvrage est cramponné fermement contre la table et le guide.
- ⚠ AVERTISSEMENT** Utilisez une position de cramponnage qui ne gêne pas le fonctionnement. Avant de mettre en marche, abaissez la tête pour vous assurer d'un écartement suffisant entre le serre-joint, d'une part, et le protecteur et la tête, d'autre part.
7. Suivez les instructions pour la coupe de fente ou la coupe par glissement (voir page 95).
  8. Attendez que la lame s'immobilise complètement avant de remettre la tête à la position levée et/ou de retirer l'ouvrage.

#### Poignée de transport avant



## Opérations de la scie

### Coupes composées

- Une coupe en angle composé est une coupe en travers effectuée avec la lame à la fois en angle horizontalement par rapport au guide (angle d'onglet) et inclinée par rapport à la verticale (angle de biseau).
  - Une coupe composée peut être pratiquée comme coupe de fente ou comme coupe par glissement, suivant la largeur de l'ouvrage.
  - Étant donné qu'il faudra peut-être plusieurs essais pour obtenir l'angle composé désiré, effectuez des coupes d'essai sur des matériaux de rebut avant de pratiquer votre coupe.
5. Attendez que la lame s'immobilise complètement avant de remettre la tête à la position levée et/ou de retirer l'ouvrage.

#### Suivez ces instructions pour pratiquer votre coupe composée :

1. Déployez les rallonges de l'embase et les guides du côté où vous voulez effectuer la coupe (voir rallonges d'embase et guides coulissants à la page 94).
2. Positionnez l'ouvrage adéquatement. Assurez-vous que l'ouvrage est cramponné fermement contre la table et le guide.

**▲ AVERTISSEMENT** Utilisez une position de cramponnage qui ne gêne pas le fonctionnement. Avant de mettre en marche, abaissez la tête pour vous assurer d'un écartement suffisant entre le serre-joint, d'une part, et le protecteur et la tête, d'autre part.

3. Réglez les angles d'onglet et de biseau selon les consignes données aux pages 96 et 97 pour les coupes d'onglet et en biseau.
4. Suivez les instructions pour la coupe de fente ou la coupe par glissement (voir page 95).

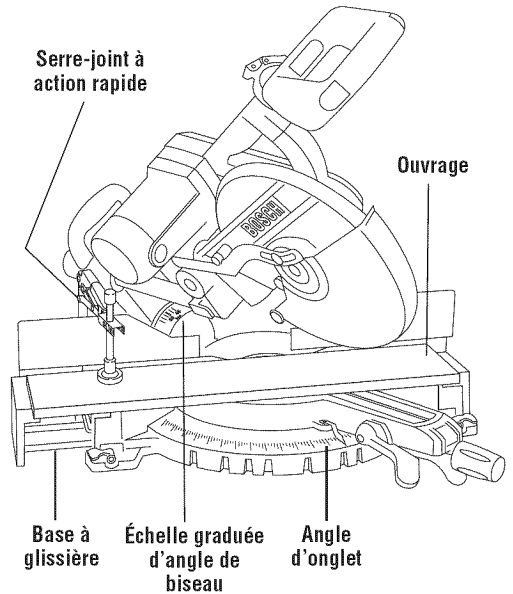


Figure 32. Coupe composée

## Opérations de la scie

### Coupe de rainures

- Le réglage de profondeur s'utilise pour faire des rainures dans une pièce.
  - Le réglage de profondeur s'utilise pour limiter la profondeur de la lame lors du sciage de rainures.
  - Sciez en coulisant pour faire des rainures.
1. Pour faire des réglages importants, enfoncez le bouton de déblocage de la butée de profondeur et faites coulisser le boulon de butée de profondeur pour le mettre à la position désirée (Figure 33).
  2. Pour faire des petits réglages, il suffit de tourner le boulon de butée de profondeur pour le mettre à la position désirée.
  3. Serrez l'écrou moleté.
  4. Coupez les deux rainures extérieures.
  5. Utilisez un burin à bois ou effectuez des passes multiples faisant glisser le bois pour enlever le matériau entre les rainures extérieures (Figure 33a).

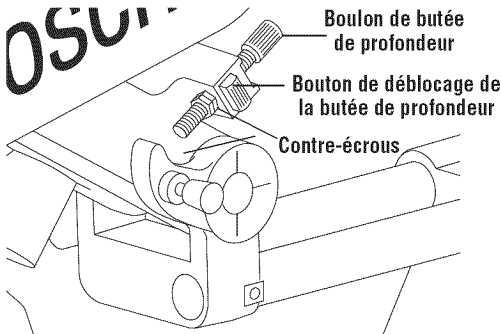


Figure 33. Coupe de rainures

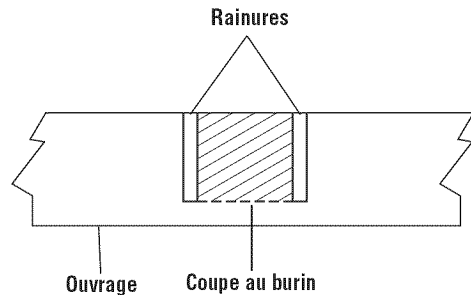


Figure 33a. Rainure coupée grossièrement

### Butée de longueur (modèle 5412 seulement)

La butée de longueur escamotable de la machine peut être utilisée pour faire des coupes répétitives de la même longueur.

Pour régler la butée, il suffit de desserrer le bouton, de faire pivoter la butée pour la mettre en position et de resserrer le bouton (Figure 34).

1. Pour régler la longueur à scier, desserrez le levier de blocage de la rallonge de l'embase, repositionnez la rallonge de l'embase avec sa butée de longueur et resserrez les leviers.
2. La longueur maximale qui peut être sciée avec la butée de longueur est d'environ 20 po.

Si on le désire, la butée de longueur et le bouton peuvent être transférés sur la rallonge d'embase gauche. Le kit de butée de longueur en option MS1223 peut aussi être installé du côté gauche, permettant ainsi d'avoir une butée de longueur de chaque côté de la scie.

Pour augmenter la longueur qu'on peut scier avec la butée de longueur, remplacez les tiges de la rallonge de l'embase de l'outil par les tiges d'embase extra-longues en option MS1222, ce qui a pour effet d'augmenter la longueur maximale qui peut

être sciée avec la butée de longueur à 30 po environ de chaque côté de l'outil.

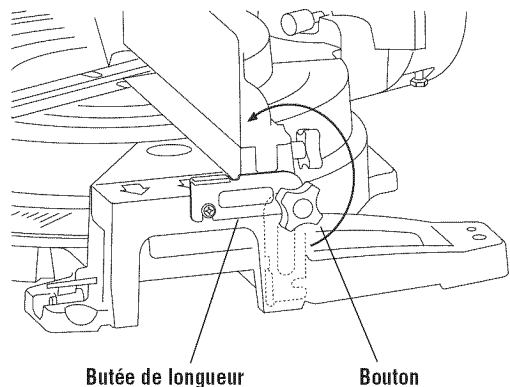
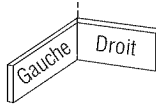
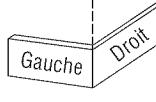


Figure 34. Butée de longueur

## Opérations de la scie

### Coupe de moulures de base

- Les moulures de base peuvent être sciées en position verticale contre le guide ou à plat sur la table. La taille maximale qui peut être sciée verticalement sur le guide est de 4 1/4 po et de 10-1/4 po à plat sur la table.
- Reportez-vous au tableau ci-dessous, vous y trouverez des conseils utiles pour le sciage de moulures de base pour des coins à 90°.
- La coupe de moulures de base peut être pratiquée comme coupe de fente ou comme coupe par glissement, suivant la largeur de l'ouvrage.

INSTRUCTIONS DE COUPE DE MOULURES DE BASE					
POSITION DE LA MOULURE SUR LA SCIE		Moulure en position verticale : Dos de la moulure contre le guide		Moulure en position horizontale : Dos de la moulure à plat contre la table	
Angle de biseau		Biseau=0°		Biseau=45°	
Partie de la moulure sciée		À gauche du coin	À droite du coin	À gauche du coin	À droite du coin
<b>Coin intérieur du mur</b> 	Angle d'onglet	Gauche à 45°	Droit à 45°	0°	0°
	Position de la moulure sur la scie	Fond contre la table	Fond contre la table	Dessus contre le guide	Fond contre le guide
	Côté fini	Gardez le côté gauche de la coupe	Gardez le côté droit de la coupe	Gardez le côté gauche de la coupe	Gardez le côté gauche de la coupe
<b>Coin extérieur du mur</b> 	Angle d'onglet	Droit à 45°	Gauche à 45°	0°	0°
	Position de la moulure sur la scie	Fond contre la table	Fond contre la table	Fond contre le guide	Dessus contre le guide
	côté fini	Gardez le côté gauche de la coupe	Gardez le côté droit de la coupe	Gardez le côté droit de la coupe	Gardez le côté droit de la coupe

### Coupe de moulures en couronne

- Les corniches (moulures en couronne) doivent être sciées et positionnées correctement afin de s'ajuster parfaitement.
- Il y a deux manières de scier des corniches, à plat sur la table ou en angle par rapport à la table et au guide.
- L'angle de dévers de la corniche est l'angle entre l'arrière de la corniche et la surface plate inférieure qui est appliquée au mur.
- La scie à onglets est dotée de crans d'onglet spéciaux à 31,5° et de biseau à 33,9°. Ces crans vous permettent de positionner facilement la plupart des corniches à plat sur la table et de faire des coupes précises pour des coins à 90°. (Ces crans ne fonctionnent qu'avec les corniches ayant un dévers de 38°). REMARQUE : Ces crans ne peuvent pas être utilisés avec les corniches à 45°.
- Voir aussi pages 101 et 102 Vous y trouverez des tableaux qui vous donnent les angles d'onglet et de biseau à utiliser pour couper des corniches avec dévers de 38° et 45° (avec la pièce posée à plat sur la table). Chaque tableau fournit les angles d'onglet et de biseau exacts pour des coins d'angles très variés.
- Bien que ces angles soient standards, les coins de la plupart des pièces ne sont pas exactement à 90°. Il sera donc nécessaire d'affiner votre réglage.
- Le rapporteur d'angle numérique en option Bosch DAF220K MiterFinder™ permet de mesurer les angles de dévers et les angles de coins et de déterminer automatiquement les réglages exacts de l'onglet et du biseau qui sont nécessaires pour faire des coupes parfaites à chaque coin.

## Opérations de la scie

### Mouleurs en couronne reposant à plat sur la table

1. Remarques : Placez le dos de la pièce à plat sur la table

Placez toujours le bord supérieur de la corniche contre le guide (le bord décoratif se trouve en bas de la corniche).

L'angle de dévers est l'angle entre le mur et la corniche.

Selon la largeur de la pièce, on peut scier les corniches posées à plat sur la table soit en abaissant la lame soit en la faisant coulisser.

1. Pour les coins à 90°, réglez les angles d'onglet et de biseau en vous aidant des tableaux ci-dessous. Serrez le bouton de blocage de l'onglet et le bouton de blocage du biseau (Figure 35).

2. Placez la corniche à plat sur la table de la scie. Bidez la pièce à l'aide du serre-joint à action rapide.

#### ⚠ AVERTISSEMENT

Utilisez une position de cramponnage qui ne gêne pas le fonctionnement. Avant de mettre en marche, abaissez la tête pour vous assurer d'un écartement suffisant entre le serre-joint, d'une part, et le protecteur et la tête, d'autre part.

3. Suivez les instructions pour la coupe de fente ou la coupe par glissement (voir page 95).

4. Attendez que la lame s'immobilise complètement avant de remettre la tête à la position levée et/ou de retirer l'ouvrage.

**REMARQUE : PROCÉDEZ TOUJOURS À UNE COUPE D'ESSAI À L'AIDE DE MATÉRIAUX DE REBUT POUR CONFIRMER LES ANGLES CORRECTS.**

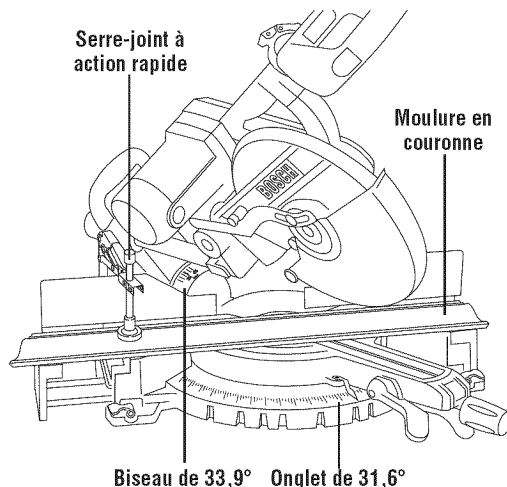


Figure 35. Mouleur en couronne reposant à plat

### Réglages des angles d'onglet et de biseau pour scier des corniches standard (corniche posée à plat sur la table de la scie)

On supposera que la corniche est usinée de manière régulière et que le coin est exactement à 90°

Angle de dévers de la corniche : 38°		
	Réglage de l'onglet (table)	Réglage du biseau (inclinaison)
<b>Coin interne</b>		
Bout gauche (A) Utilisez le bout gauche de la coupe	31,6° à droite	33,9° à gauche
Bout droit (B) Utilisez le bout droit de la coupe	31,6° à gauche	33,9° à droite
<b>Coin externe</b>		
Bout gauche (C) Utilisez le bout gauche de la coupe	31,6° à gauche	33,9° à droite
Bout droit (D) Utilisez le bout droit de la coupe	31,6° à droite	33,9° à gauche

Angle de dévers de la corniche : 45°		
	Réglage de l'onglet (table)	Réglage du biseau (inclinaison)
<b>Coin interne</b>		
Bout gauche (A) Utilisez le bout gauche de la coupe	35,3° à droite	30,0° à gauche
Bout droit (B) Utilisez le bout droit de la coupe	35,3° à gauche	30,0° à droite
<b>Coin externe</b>		
Bout gauche (C) Utilisez le bout gauche de la coupe	35,3° à gauche	30,0° à droite
Bout droit (D) Utilisez le bout droit de la coupe	35,3° à droite	30,0° à gauche

## Opérations de la scie

### Moulure en couronne à angle par rapport à la table et au guide

- La méthode préférée pour scier des corniches avec cette scie est de poser la corniche à plat sur la table.
- L'avantage de scier les corniches inclinées contre le guide est qu'il n'est pas nécessaire de régler le biseau. Seul l'angle d'onglet doit être réglé.
- La largeur maximale de la corniche qui peut être sciée inclinée contre la table et le guide est de 6 po.
- Quand on scie des corniches de cette manière, il est conseillé d'acheter et d'utiliser le serre-joint horizontal et l'accessoire de butée pour corniche en option MS1221.

#### Suivez ces instructions pour couper les moulures en couronne à angle par rapport à la table et au guide :

1. Placez la corniche de sorte que le bas (partie décorative installée contre le mur) se trouve contre le guide.
2. Pour les coins à 90°, réglez l'angle d'onglet en vous servant du tableau ci-dessous. Serrez les bouton de blocage de l'onglet (Figure 36).
3. Positionnez la moulure de manière à ce qu'elle repose contre le guide (voir Position du corps et des mains à la page 91).
4. Suivez les instructions pour la coupe de fente ou la coupe par glissement (voir page 95).
5. Attendez que la lame s'immobilise complètement avant de remettre la tête à la position levée et/ou de retirer l'ouvrage.

**REMARQUE : PROCÉDEZ TOUJOURS À UNE COUPE D'ESSAI À L'AIDE DE MATÉRIAUX DE REBUT POUR CONFIRMER LES ANGLES CORRECTS.**

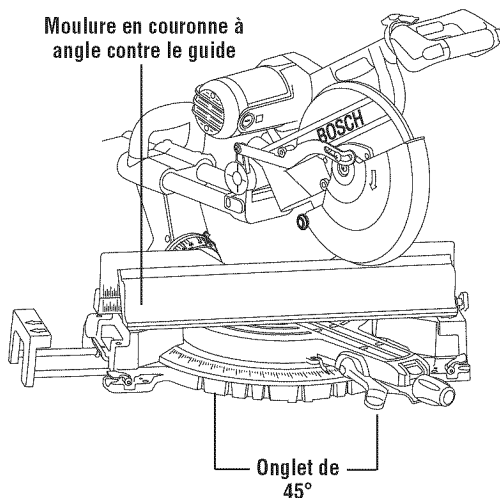


Figure 36. Moulure en couronne à angle par rapport à la table et au guide

### Réglages des angles d'onglet et de biseau pour scier des corniches standard (corniche inclinée contre le guide)

On supposera que la corniche est usinée de manière régulière.

- Le coin est à 90°.
- Pour des angles de coins différents, diviser la mesure de l'angle réel par 2.

Pour toutes les corniches		
	Réglage de l'onglet (table)	Réglage du biseau (inclinaison)
<b>Coin interne</b>		
Bout gauche (A) Utilisez le bout droit de la coupe	45° à droite	0° à gauche
Bout droit (B) Utilisez le bout gauche de la coupe	45° à gauche	0° à droite
<b>Coin externe</b>		
Bout gauche (C) Utilisez le bout droit de la coupe	45° à gauche	0° à droite
Bout droit (D) Utilisez le bout gauche de la coupe	45° à droite	0° à gauche

## Opérations de la scie

### Coupes spéciales

Le sciage de pièces courbes ou de pièces rondes représente deux exemples de sciages spéciaux.

#### Coupe de matériaux courbés

**▲ AVERTISSEMENT** Si l'ouvrage est courbé ou gondolé, cramponnez-le avec la face courbée extérieure dirigée vers le guide. Assurez-vous toujours de l'absence d'un écartement entre l'ouvrage, le guide et la table le long de la ligne de coupe. Les ouvrages pliés ou gondolés peuvent se tordre ou culbuter, et peuvent faire gripper la lame de scie en rotation durant la coupe (Figure 37).

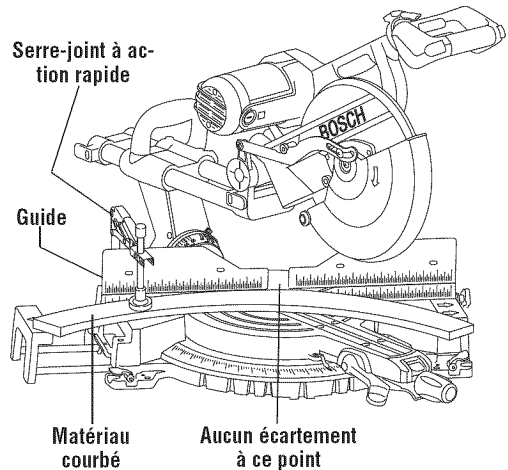


Figure 37. Matériau courbé

#### Coupe de matériaux ronds ou de forme irrégulière

**▲ AVERTISSEMENT** Pour les matériaux ronds tels que les goujons ou les tubes, utilisez toujours un serre-joint ou un dispositif conçu de manière à cramponner l'ouvrage fermement contre le guide et la table. Les goujons ont tendance à rouler pendant qu'on les coupe, ce qui amène la lame à « mordre » et tire l'ouvrage et votre main dans la lame (Figure 38).

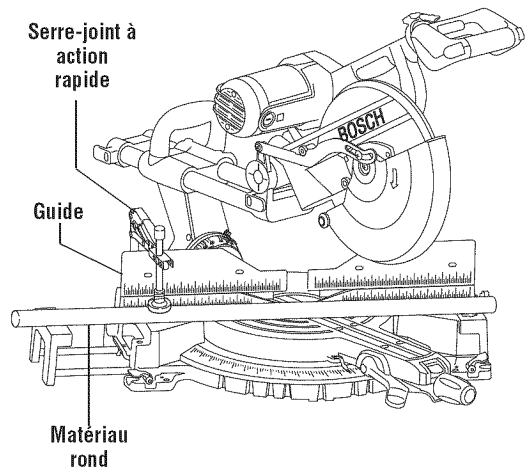
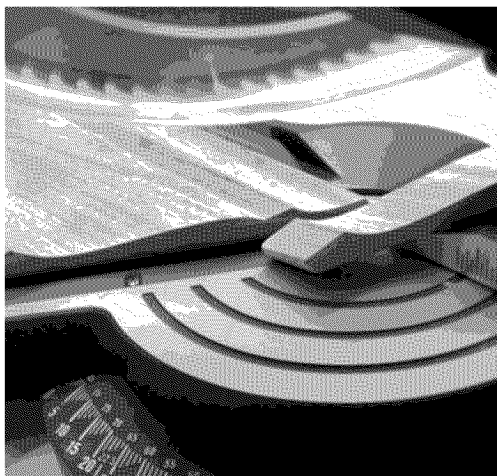


Figure 38. Matériau rond

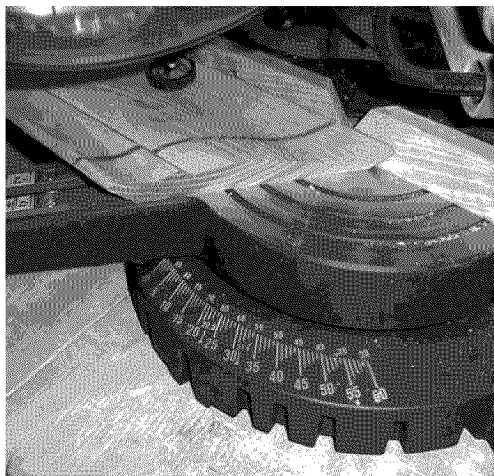
**⚠ AVERTISSEMENT** Quand on scie en angle composé une corniche posée à plat sur la table, les chutes courtes (de longueur inférieure ou égale à 2 po) risquent d'être éjectées à haute vitesse, de passer par-

**Figure 1**



dessus le guide et d'être projetées au-delà de l'arrière de la scie (voir Figure 1). Il faut utiliser un guide auxiliaire comme illustré aux figures ci-dessous.

**Figure 2**



Utiliser un guide auxiliaire pour mieux supporter les chutes provenant par exemple du sciage de grandes corniches posées à plat sur la table (voir page 101). Cela réduit les éclats et le mouvement de la chute qui n'est pas supportée après le sciage.

#### **Fabrication d'un guide auxiliaire :**

Pièces nécessaires :

Planche en bois (décrite ci-dessous)

4 – Vis à machine à tête fraisée – 1/4 po de diamètre;

3 pouces de long

4 – Rondelles plates de 1/4 po

4 – Écrous

1. **Coupez** une planche de dimensions nominales 1 x 2 à une longueur de 25-3/16 po. Remarque : 1 x 2 pouces nominaux égalent 3/4 po x 1-1/2 po réel. On peut également utiliser du contre-plaqué de 3/4 po coupé à dimension.
2. **Percez** 4 trous débouchants dans la planche à l'aide d'un foret de diamètre 5/16 po. Fraisez les trous suffisamment

profond pour que les têtes des vis fraisées ne dépassent pas de la surface frontale de la pièce – Fraisez avec un foret de 1/2 po. Voir figure 3.

Enlevez les guides coulissants de la machine – voir page 96.

1. Enfoncez les vis à tête fraisée par les trous du guide auxiliaire, puis par ceux du guide fixe de la machine.
2. Placez les rondelles et les écrous sur les filets des vis et amenez-les contre le guide fixe. Serrez les écrous. Voir figure 4.

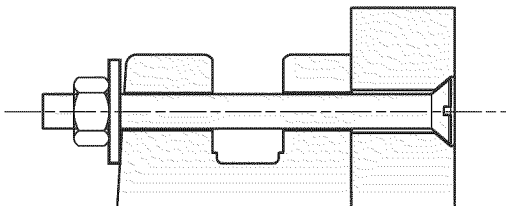
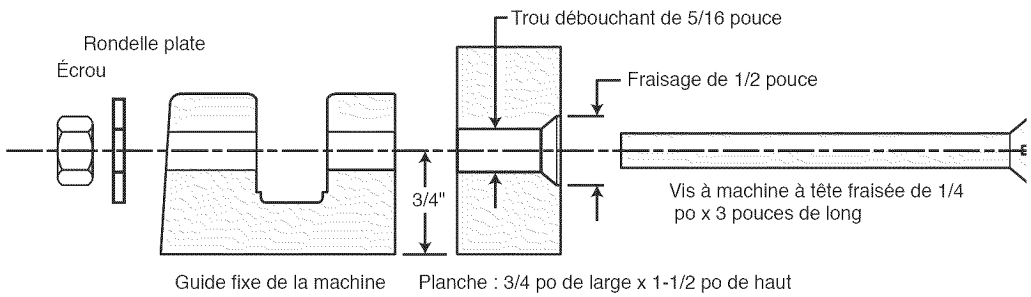
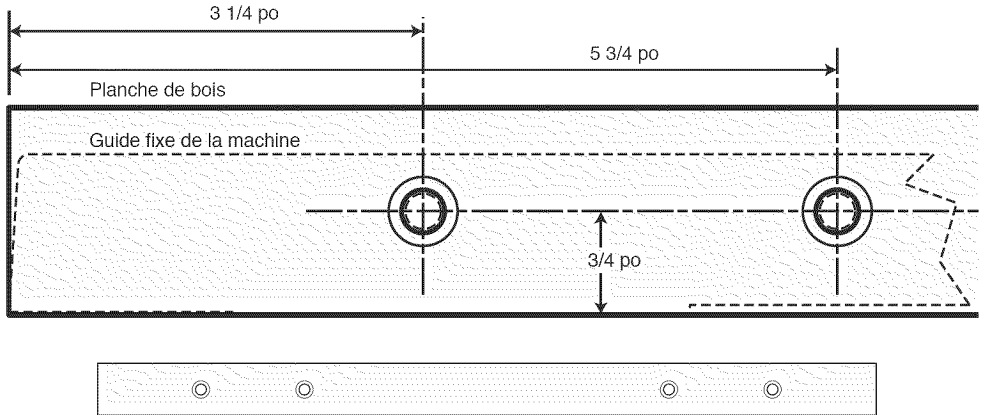
#### **Première utilisation du guide auxiliaire :**

Remarque : La première fois que vous utilisez le guide auxiliaire, il sera scié par la lame de scie – cela crée un jeu minimal, ce qui réduit les éclats sur la pièce. Réglez les angles d'onglet et d'inclinaison avant d'effectuer la première coupe. Bridez la pièce puis sciez-la – exemple de sciage en angle composé d'une grande corniche posée à plat sur la table. Voir figure 2.



Figure 3

Percez 4 trous - 2 comme indiqué à partir du bord gauche (comme indiqué) et 2 à partir du bord droit



## Maintenance et lubrification

### Entretien

**⚠ AVERTISSEMENT** L'entretien préventif effectué par des personnes non autorisées peut entraîner un positionnement erroné des composants et des fils internes, et ainsi causer des dangers sévères. Il est recommandé que l'entretien et la réparation de nos outils soient confiés à un centre de service-usine Bosch ou à un centre de service après-vente Bosch agréé.

#### Balais de charbon

Les balais et le collecteur de votre outil ont été conçus pour donner plusieurs heures de fonctionnement sans aléas. Pour maintenir le moteur en forme, nous recommandons d'examiner les balais tous les deux à six mois. Vous ne devriez utiliser que les balais de rechange d'origine Bosch qui conviennent spécialement à votre outil.

#### Remplacement des balais du moteur

Pour inspecter ou remplacer les balais :

1. Débranchez la scie.

**⚠ AVERTISSEMENT** Le capuchon de balai est chargé par ressort par l'ensemble de balai.

2. Retirez le capuchon de balai sur le moteur à l'aide d'un tournevis à lame plate large.
3. Tirez le balai vers l'extérieur (Figure 39). Répétez pour le côté opposé.

REMARQUE : Si vous posez le ou les balais existants, assurez-vous que le balai est inséré de la même façon qu'il en est sorti. Sinon, il s'ensuivra une période de rodage qui réduira la performance du moteur et accroîtra l'usure des balais.

4. Inspectez les balais pour y relever tout signe d'usure. Une ligne de limite d'usure apparaît sur le côté plat large du balai. Si la face de contact du balai est à ou au-delà (aucune ligne visible) de la limite, remplacez les balais en ensemble.
5. Posez le nouveau balai. Les deux (2) languettes sur la borne du balai s'insèrent dans le même trou que celui dans lequel est insérée la pièce en carbone.
6. Serrez le capuchon de balai sans, toutefois, serrer excessivement.

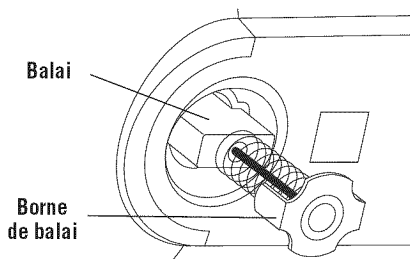


Figure 39. Balai du moteur

### Courroie d'entraînement

La courroie d'entraînement est une pièce d'entretien normal. Elle doit être inspectée périodiquement pour contrôler son usure. Si elle présente des signes de séchage, des fissures ou des déchirures, il convient de la remplacer. Si elle ne parvient pas à rester correctement dans l'alignement ou qu'elle s'échappe des poulies, il faut la remplacer.

1. Installation d'une courroie neuve :
2. Desserrez les deux vis et enlevez le capot de la courroie d'entraînement.
3. Coupez et enlevez la courroie usée (Figure 40). Avant d'installer la courroie neuve, nettoyez bien les deux poulies.
4. D'abord, placez la nouvelle courroie d'entraînement sur la poulie menante, ensuite faites tourner cette dernière en sens horaire tout en poussant la courroie sur la poulie menée.
5. Remontez le capot de la courroie d'entraînement et serrez les vis fermement.

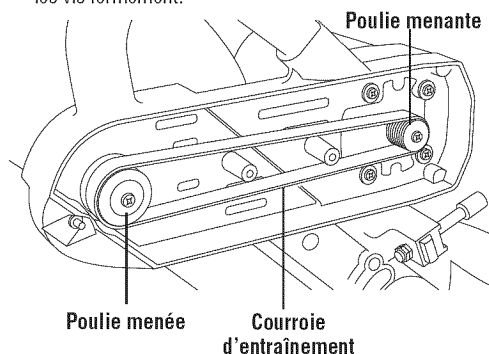


Figure 40. Remplacement de la courroie Nettoyage

**⚠ AVERTISSEMENT** Pour éviter le risque d'accidents, débranchez toujours l'outil de la prise de courant avant de procéder au nettoyage ou à l'entretien. Vous pouvez très bien le nettoyer à l'air sec comprimé. Dans ce cas, portez toujours des lunettes de sécurité.

Gardez les prises d'air et les interrupteurs propres et libres de débris. N'essayez pas de les nettoyer en introduisant des objets pointus dans leurs ouvertures.

Vérifiez régulièrement pour vous assurer que le protecteur inférieur et toutes les pièces en mouvement fonctionnent adéquatement.

Enlevez le bran de scie accumulé sur les pièces de travail en soufflant à l'aide d'air comprimé ou en essuyant avec un chiffon humide.

**⚠ MISE EN GARDE** Certains produits de nettoyage et dissolvants dont la gazoline, le tétrachlorure de carbone, les nettoyeurs chlorés, l'ammoniac et les détergents ménagers contenant de l'ammoniac peuvent abîmer les pièces en plastique.

### Entretien des lames

Les lames finissent par s'émauser, même à couper des pièces de bois régulières. Si vous constatez que vous devez forcer la scie à avancer plutôt que de la guider simplement vers la ligne de coupe, il est probable que la lame est émoussée ou souillée de résine.

Quand vous devez enlever la gomme et la résine de la lame de votre scie, débranchez d'abord la scie avant d'enlever la lame. Souvenez-vous que les lames sont des objets tranchants et qu'elles doivent être manipulées avec soin. Essayez la lame avec du kérosène ou un dissolvant similaire pour enlever l'accumulation de gomme et de résine. À moins que vous soyez parfaitement familier avec l'affûtage des lames, nous vous déconseillons de l'essayer.

### Graissage de l'outil

Votre outil Bosch a été convenablement graissé et est prêt à utiliser. Il est recommandé que les outils à engrenages soient regraissés avec une graisse spéciale à l'occasion de tout remplacement de balais.

Lubrifiez périodiquement les pièces en mouvement à l'aide de silicone ou d'huile légère en vaporisateur. N'utilisez pas de graisse parce qu'elle a tendance à attirer et retenir le bran de scie.

### Roulements

Tous les roulements de cet outil sont lubrifiés à l'aide d'une quantité suffisante de lubrifiant de haute qualité pour toute la durée de l'outil dans des conditions normales d'utilisation. Aucune lubrification ultérieure n'est nécessaire.

## Dépannage

### Guide de dépannage — Électrique

PROBLÈME	CAUSE	ACTION CORRECTRICE
Le frein n'arrête pas la lame dans un délai de 5 secondes.	<ol style="list-style-type: none"><li>1. Les balais ne sont pas calés ou ils adhèrent légèrement.</li><li>2. Le moteur a surchauffé en raison de l'utilisation d'une lame émoussée/ trop lourde, de l'utilisation d'un accessoire non recommandé ou de la mise en marche et à l'arrêt rapide.</li><li>3. Boulon de lame desserré.</li><li>4. Autre</li></ol>	<ul style="list-style-type: none"><li>- Inspectez/nettoyez ou remplacez les balais (voir Section de maintenance).</li><li>- Utilisez une lame affûtée.</li><li>- Utilisez une lame recommandée.</li><li>- Laissez la scie refroidir.</li><li>- Serrez le boulon de lame.</li><li>- Service agréé.</li></ul>
Le moteur ne démarre pas.	<ol style="list-style-type: none"><li>1. Vérifiez que l'outil est branché.</li><li>2. Fusible.</li><li>3. Balais usés.</li><li>4. La poignée n'est pas dans une position utilisable.</li><li>5. Autre</li></ol>	<ul style="list-style-type: none"><li>- Branchez l'outil. Utilisez une prise différente.</li><li>- Disjoncteur ou fusible temporisé de 15 A</li><li>- Voir Remplacement des balais dans la section Maintenance et lubrification.</li><li>- Bloquez la poignée dans une des quatre positions utilisables.</li><li>- Service agréé.</li></ul>
Lumière-éclair depuis le capuchon du moteur lorsque l'interrupteur est relâché.	<ol style="list-style-type: none"><li>1. Situation normale — le frein fonctionne adéquatement.</li></ol>	

## Dépannage

### Guide de dépannage — Généralités

PROBLEM	CAUSE	ACTION CORRECTRICE
L'ensemble de la tête ne s'incline pas à la position désirée.	<ol style="list-style-type: none"> <li>1. La butée de biseau à 33,9° est enclenchée.</li> <li>2. Le réglage du bouton d'effacement des crans de biseau limite le mouvement. limits movement.</li> </ol>	<ul style="list-style-type: none"> <li>- Retirez la butée à 33,9° et faites-la pivoter de 90°.</li> <li>- Changez le réglage de l'effacement du cran de biseau.</li> </ul>
La lame se heurte contre la table.	<ol style="list-style-type: none"> <li>1. Défaut d'alignement</li> </ol>	<ul style="list-style-type: none"> <li>- Service agréé..</li> </ul>
Impossible de modifier l'ajustement d'onglet.	<ol style="list-style-type: none"> <li>1. Défaut d'alignement</li> </ol>	<ul style="list-style-type: none"> <li>- Voir section Réglages.</li> </ul>
Impossible de modifier l'ajustement d'onglet.	<ol style="list-style-type: none"> <li>1. Le bouton de blocage est serré/ le cran d'arrêt est engagé.</li> <li>2. Bran de scie sous la table.</li> <li>3. La lame entrave le guide.</li> </ol>	<ul style="list-style-type: none"> <li>- Desserrez le bouton de blocage/sortez du cran d'arrêt.</li> <li>- Aspirez ou soufflez le bran de scie. Portez des lunettes de protection.</li> <li>- Service agréé.</li> </ul>
La tête ne lève pas complètement ou le protecteur de lame ne se ferme pas complètement.	<ol style="list-style-type: none"> <li>1. Défaillance de pièces.</li> <li>2. Le ressort de pivot ou le ressort de protecteur n'a pas été remis en place adéquatement après l'entretien.</li> <li>3. La plaque de recouvrement n'a pas été serrée après la remise en place de la lame.</li> <li>4. Accumulation de bran de scie.</li> </ol>	<ul style="list-style-type: none"> <li>- Service agréé.</li> <li>- Service agréé.</li> <li>- Voir Installation de la lame à la page 83.</li> <li>- Nettoyez la tête.</li> </ul>
La lame grippe, se coince, brûle du bois. Coupes grossières.	<ol style="list-style-type: none"> <li>1. Opération inappropriée.</li> <li>2. Lame émoussée.</li> <li>3. Lame inappropriée.</li> <li>4. Lame pliée..</li> </ol>	<ul style="list-style-type: none"> <li>- Voir section Opérations de base de la scie.</li> <li>- Remplacez ou affûtez la lame.</li> <li>- Remplacez par une lame de 12 po de diamètre conçue pour le matériau à couper.</li> <li>- Remplacez la lame.</li> </ul>
L'outil vibre ou tremble.	<ol style="list-style-type: none"> <li>1. La lame de scie n'est pas ronde.</li> <li>2. La lame de scie est abîmée.</li> <li>3. La lame de scie est desserrée.</li> <li>4. Autre</li> </ol>	<ul style="list-style-type: none"> <li>- Remplacez la lame.</li> <li>- Remplacez la lame.</li> <li>- Serrez la vis de l'arbre.</li> <li>- Service agréé.</li> </ul>

## Dépannage

### Guide de dépannage — Généralités

PROBLEM	CAUSE	ACTION CORRECTRICE
La lame ne coupe pas complètement l'ouvrage.	1. La vis de butée de profondeur est réglée pour la coupe de rainures.	- Voir Réglage de la butée de profondeur dans la section Réglages.
La tête ne glisse pas librement lorsque l'on tente une coupe par glissement.  La tête glisse vers l'avant et l'arrière en pratiquant une coupe de fente.	1. Le bouton de blocage des rails coulissants est serré.  2. Le bouton de blocage des rails coulissants n'est pas serré.	- Desserrez le bouton de blocage des rails coulissants.  - Poussez la tête entièrement contre la butée. Serrez le bouton de blocage des rails coulissants.
Le réglage du biseau ne reste pas en position.	1. L'ensemble du levier de blocage du biseau doit être resserré.	- Resserrez le levier de blocage du biseau comme illustré à la page 85.

## Accessoires

**DAF220K Niveau/rapporteur/calculateur d'angles composés/rapporteur d'angle numérique MiterFinder™** – Il vous fournit les données dont vous avez besoin pour positionner les coupes de manière à ce qu'elles s'ajustent précisément même quand le coin n'est pas d'équerre.

**MS1221 Support de butée de corniche pour serre-joint horizontal à action rapide.** – Bride la pièce contre le guide. Peut aussi s'utiliser comme butée lors du sciage de corniches. Se monte à droite ou à gauche de la table.

**MS1222 Kit de tiges d'embase extra-longues** – Comprend des tiges de rechange en acier qui amènent la largeur totale de l'embase à 5 pieds (60 po)

**MS1223 Kit de butée de longueur**

**MS1224 Inserts d'encoche de table de rechange**

**MS1225 Sac à poussière de rechange**

**MS1226 Serre-joint à action rapide (vertical) de rechange**

**Socle portable T3B TracRac™ avec roues**

**Support de scie à onglet sur roue Gravity-Rise T4B**

**Notes:**

**Notas:**  
**Remarques :**

### LIMITED WARRANTY OF BOSCH PORTABLE AND BENCHTOP POWER TOOLS

Robert Bosch Tool Corporation ("Seller") warrants to the original purchaser only, that all BOSCH portable and benchtop power tools will be free from defects in material or workmanship for a period of one year from date of purchase. SELLER'S SOLE OBLIGATION AND YOUR EXCLUSIVE REMEDY under this Limited Warranty and, to the extent permitted by law, any warranty or condition implied by law, shall be the repair or replacement of parts, without charge, which are defective in material or workmanship and which have not been misused, carelessly handled, or misrepaired by persons other than Seller or Authorized Service Station. To make a claim under this Limited Warranty, you must return the complete portable or benchtop power tool product, transportation prepaid, to any BOSCH Factory Service Center or Authorized Service Station. For Authorized BOSCH Power Tool Service Stations, please refer to your phone directory.

THIS LIMITED WARRANTY DOES NOT APPLY TO ACCESSORY ITEMS SUCH AS CIRCULAR SAW BLADES, DRILL BITS, ROUTER BITS, JIGSAW BLADES, SANDING BELTS, GRINDING WHEELS AND OTHER RELATED ITEMS.

ANY IMPLIED WARRANTIES SHALL BE LIMITED IN DURATION TO ONE YEAR FROM DATE OF PURCHASE. SOME STATES IN THE U.S., SOME CANADIAN PROVINCES DO NOT ALLOW LIMITATIONS ON HOW LONG AN IMPLIED WARRANTY LASTS, SO THE ABOVE LIMITATION MAY NOT APPLY TO YOU.

IN NO EVENT SHALL SELLER BE LIABLE FOR ANY INCIDENTAL OR CONSEQUENTIAL DAMAGES (INCLUDING BUT NOT LIMITED TO LIABILITY FOR LOSS OF PROFITS) ARISING FROM THE SALE OR USE OF THIS PRODUCT. SOME STATES IN THE U.S. AND SOME CANADIAN PROVINCES DO NOT ALLOW THE EXCLUSION OR LIMITATION OF INCIDENTAL OR CONSEQUENTIAL DAMAGES, SO THE ABOVE LIMITATION OR EXCLUSION MAY NOT APPLY TO YOU.

THIS LIMITED WARRANTY GIVES YOU SPECIFIC LEGAL RIGHTS, AND YOU MAY ALSO HAVE OTHER RIGHTS WHICH VARY FROM STATE TO STATE IN THE U.S., PROVINCE TO PROVINCE IN CANADA AND FROM COUNTRY TO COUNTRY.

THIS LIMITED WARRANTY APPLIES ONLY TO PORTABLE AND BENCHTOP ELECTRIC TOOLS SOLD WITHIN THE UNITED STATES OF AMERICA, CANADA AND THE COMMONWEALTH OF PUERTO RICO. FOR WARRANTY COVERAGE WITHIN OTHER COUNTRIES, CONTACT YOUR LOCAL BOSCH DEALER OR IMPORTER.

### GARANTIE LIMITÉE DES OUTILS ÉLECTRIQUES PORTATIFS ET D'ÉTABLI BOSCH

Robert Bosch Tool Corporation (le « vendeur ») garantit à l'acheteur initial seulement que tous les outils électriques portatifs et d'établi BOSCH seront exempts de vices de matériaux ou d'exécution pendant une période d'un an depuis la date d'achat. LA SEULE OBLIGATION DU VENDEUR ET LE SEUL RECOURS DE L'ACHETEUR sous la présente garantie limitée, et en autant que la loi le permette sous toute garantie ou condition implicite qui en découlerait, sera l'obligation de remplacer ou réparer gratuitement les pièces défectueuses matériellement ou comme fabrication, pourvu que lesdites défectuosités ne soient pas attribuables à un usage abusif ou à quelque réparation bricolée par quelqu'un d'autre que le vendeur ou le personnel d'une station-service agréée. Pour présenter une réclamation en vertu de cette garantie limitée, vous devez renvoyer l'outil électrique portatif ou d'établi complet, port payé, à tout centre de service agréé ou centre de service usine. Veuillez consulter votre annuaire téléphonique pour les adresses.

LA PRÉSENTE GARANTIE NE S'APPLIQUE PAS AUX ACCESSOIRES TELS QUE LAMES DE SCIES CIRCULAIRES, MÊCHES DE PERCEUSES, FERS DE TOUPIES, LAMES DE SCIES SAUTEUSES, COURROIES DE PONÇAGE, MEULES ET AUTRES ARTICLES DU GENRE.

TOUTE GARANTIE IMPLICITE SERA LIMITÉE COMME DURÉE À UN AN À COMPTER DE LA DATE D'ACHAT. CERTAINS ÉTATS AMÉRICAINS, CERTAINES PROVINCES CANADIENNES N'ADMETTANT PAS LE PRINCIPE DE LA LIMITATION DE LA DURÉE DES GARANTIES IMPLICITES, IL EST POSSIBLE QUE LES LIMITATIONS CI-DESSUS NE S'APPLIQUENT PAS À VOTRE CAS.

EN AUCUN CAS LE VENDEUR NE SAURAIT ÊTRE TENU POUR RESPONSABLE DES INCIDENTS OU DOMMAGES INDIRECTS (INCLUANT, MAIS NE SE LIMITANT PAS AUX PERTES DE PROFITS) CONSÉCUTIFS À LA VENTE OU L'USAGE DE CE PRODUIT. CERTAINS ÉTATS AMÉRICAINS ET CERTAINES PROVINCES CANADIENNES N'ADMETTANT PAS LE PRINCIPE DE LA LIMITATION NI L'EXCLUSION DES DOMMAGES INDIRECTS ET CONSÉQUENTIELS, IL EST POSSIBLE QUE LES LIMITATIONS OU EXCLUSIONS CI-DESSUS NE S'APPLIQUENT PAS À VOTRE CAS.

LA PRÉSENTE GARANTIE VOUS ACCORDE DES DROITS BIEN DÉTERMINÉS, Y COMPRIS POSSIBLEMENT CERTAINS DROITS VARIABLES DANS LES DIFFÉRENTS ÉTATS AMÉRICAINS, PROVINCES CANADIENNE ET DE PAYS À PAYS.

CETTE GARANTIE LIMITÉE NE S'APPLIQUE QU'AUX OUTILS ÉLECTRIQUES PORTATIFS ET D'ÉTABLI VENDUS AUX ÉTATS-UNIS D'AMÉRIQUE, AU CANADA ET AU COMMONWEALTH DE PORTO RICO. POUR COUVERTURE DE GARANTIE DANS LES AUTRES PAYS, CONTACTEZ VOTRE IMPORTATEUR OU REVENDEUR BOSCH LOCAL.

### GARANTIA LIMITADA PARA HERRAMIENTAS MECANICAS PORTATILES Y PARA TABLERO DE BANCO BOSCH

Robert Bosch Tool Corporation ("el Vendedor") garantiza, únicamente al comprador original, que todas las herramientas mecánicas portátiles y para tablero de banco BOSCH estarán libres de defectos de material o de fabricación durante un período de un año a partir de la fecha de compra. LA ÚNICA OBLIGACION DEL VENDEADOR Y EL RECURSO EXCLUSIVO QUE USTED TIENE bajo esta Garantía Limitada y, hasta donde la ley lo permita, bajo cualquier garantía o condición implícita por ley, consistirá en la reparación o sustitución sin costo de las piezas que presenten defectos de material o de fabricación y que no hayan sido utilizadas incorrectamente, manejadas descuidadamente o reparadas incorrectamente por personas que no sean el Vendedor o una Estación de servicio autorizada. Para efectuar una reclamación bajo esta Garantía Limitada, usted debe devolver el producto, que consiste en la herramienta mecánica portátil o para tablero de banco completa, con el transporte pagado, a cualquier Centro de servicio de fábrica o Estación de servicio autorizada. Para Estaciones de servicio autorizadas de herramientas mecánicas BOSCH, por favor, consulte el directorio telefónico.

ESTA GARANTIA LIMITADA NO SE APLICA A ARTICULOS ACCESORIOS TALES COMO HOJAS PARA SIERRAS CIRCULARES, BROCAS PARA TALADROS, BROCAS PARA FRESADORAS, HOJAS PARA SIERRAS DE VAIVEN, CORREAS PARA LUJAR, RUEDAS DE AMOLAR Y OTROS ARTICULOS RELACIONADOS.

TODAS LAS GARANTIAS IMPLICITAS TENDRAN UNA DURACION LIMITADA A UN AÑO A PARTIR DE LA FECHA DE COMPRA. ALGUNOS ESTADOS DE LOS EE.UU. Y ALGUNAS PROVINCIAS CANADIENSES NO PERMITEN LIMITACIONES EN CUANTO A LA DURACION DE UNA GARANTIA IMPLICITA, POR LO QUE ES POSIBLE QUE LA LIMITACION ANTERIOR NO SEA APLICABLE EN EL CASO DE USTED.

EL VENDEADOR NO SERA RESPONSABLE EN NINGUN CASO DE NINGUN DAÑO INCIDENTAL O EMERGENTE (INCLUYENDO PERO NO LIMITADO A RESPONSABILIDAD POR PERDIDA DE BENEFICIOS) QUE SE PRODUZCA COMO CONSECUENCIA DE LA VENTA O UTILIZACION DE ESTE PRODUCTO. ALGUNOS ESTADOS DE LOS EE.UU. Y ALGUNAS PROVINCIAS CANADIENSES NO PERMITEN LA EXCLUSION O LIMITACION DE LOS DAÑOS INCIDENTALES O EMERGENTES, POR LO QUE ES POSIBLE QUE LA LIMITACION O EXCLUSION ANTERIOR NO SEA APLICABLE EN EL CASO DE USTED.

ESTA GARANTIA LIMITADA LE CONFIERE A USTED DERECHOS LEGALES ESPECIFICOS Y ES POSIBLE QUE USTED TAMBIEN TENGA OTROS DERECHOS QUE VARIAN DE ESTADO A ESTADO EN LOS EE.UU., DE PROVINCIA A PROVINCIA EN CANADA Y DE UN PAIS A OTRO.

ESTA GARANTIA LIMITADA SE APLICA SOLAMENTE A HERRAMIENTAS ELECTRICAS PORTATILES Y PARA TABLERO DE BANCO VENDIDAS EN LOS ESTADOS UNIDOS DE AMERICA, CANADA Y EL ESTADO LIBRE ASOCIADO DE PUERTO RICO. PARA COBERTURA DE GARANTIA EN OTROS PAISES, PONGASE EN CONTACTO CON SU DISTRIBUIDOR O IMPORTADOR LOCAL DE BOSCH.

© Robert Bosch Tool Corporation 1800 W. Central Road Mt. Prospect, IL 60056-2230

Exportado por: Robert Bosch Tool Corporation Mt. Prospect, IL 60056-2230, E.U.A.

Importado en México por: Robert Bosch, S.A. de C.V., Calle Robert Bosch No. 405, Zona Industrial, Toluca, Edo. de México, C.P. 50070, Tel. (722) 2792300