

# FlexiDome<sup>XT+</sup>



Security Systems

EN | Installation Instructions  
Vandal resistant surveillance  
dome

FR | Manuel d'installation  
Caméra anti-vandalisme

DE | Installationshandbuch  
Schlagfeste Kuppelkamera

ES | Manual de instalación  
Burbuja de vigilancia  
antivandálica

NL | Installatiehandleiding  
Vandalismebestendige  
bewakingskoepel

IT | Manuale di installazione  
Cupola antivandalismo per  
sorveglianza

PT | Manual de Instalação  
Dome de vigilância  
anti-vandalismo

ZH | 安装手册  
防暴型监控球型摄像机

# BOSCH



## SAFETY PRECAUTIONS



### Danger

The lightning flash with arrowhead symbol, within an equilateral triangle, is intended to alert the user to the presence of uninsulated “dangerous voltage” within the product's enclosure that may be of sufficient magnitude to constitute a risk to persons.



### Warning

The exclamation mark within an equilateral triangle is intended to alert the user to the presence of important operating and maintenance (servicing) instructions in the literature accompanying the appliance.



### Caution

To reduce the risk of electric shock, do not remove cover (or back). No user-serviceable parts inside. Refer servicing to qualified service personnel.

## Important Safeguards

1. Read these instructions.
2. Keep these instructions.
3. Comply with all warnings.
4. Follow all instructions.
5. Do not use this equipment near water.
6. Clean only with dry cloth.
7. Do not block any ventilation openings. Install in accordance with the manufacturer's instructions.
8. Do not install near any heat sources such as radiators, heat registers, stoves, or other equipment (including amplifiers) that produce heat.

9. Do not defeat the safety purpose of the polarized or grounding-type plug. A polarized plug has two blades with one wider than the other. A grounding type plug has two blades and a third grounding prong. Both the wide blade and the third prong are provided for your safety. If the supplied plug does not fit into your outlet, consult an electrician for advice.
10. Protect the power cord from being walked on or pinched particularly at plugs, convenience receptacles, and the point where they exit from the equipment.
11. Only use attachments/accessories specified by the manufacturer.
12. Unplug this equipment during lightning storms or when unused for long periods of time.
13. Refer all servicing to qualified service personnel. Servicing is required when the equipment has been damaged in any way, such as when power supply cord or plug is damaged, liquid has been spilled or objects have fallen into the equipment, the equipment does not operate normally, or has been dropped.
14. An all-pole mains switch with a contact separation of at least 3mm in each pole shall be incorporated in the electrical installation of the building.



## Caution

The Low Voltage power supply unit must comply with EN/UL 60950. The power supply must be a SELV-LPS unit or a SELV - Class 2 unit (Safety Extra Low Voltage - Limited Power Source).

## FCC Information

This equipment has been tested and found to comply with the limits for a Class B digital device, pursuant to part 15 of the FCC Rules. These limits are designed to provide reasonable protection against harmful interference in a residential installation. This equipment generates, uses and can radiate radio frequency energy and, if not installed and used in accordance with the instructions, may cause harmful interference to radio communications. However, there is no guarantee that interference will not occur in a particular installation. If this equipment does cause harmful interference to radio or television reception, which can be determined by turning the equipment off and on, the user is encouraged to try to correct the interference by one or more of the following measures:

- Reorient or relocate the receiving antenna.
- Increase the separation between the equipment and receiver.
- Connect the equipment into an outlet on a circuit different from that to which the receiver is connected.
- Consult the dealer or an experienced radio/ TV technician for help.

### Note

Any change or modification of the equipment not expressly approved by Bosch could void the user's authority to operate the equipment. For additional information or to speak to a representative, please contact the Bosch Security Systems location nearest to you or visit our web site at [www.boschsecuritysystems.com](http://www.boschsecuritysystems.com)

## Introduction

The FlexiDome<sup>XT+</sup> camera is a small, discreet, high-security surveillance dome containing a high-performance 1/3-inch CCD camera with integral varifocal lens. The integrated unit is mounted to an electrical box or to a wall or ceiling. The sturdy construction and high impact resistant polycarbon dome protect the camera module from damage.

The camera incorporates advanced digital signal processing for outstanding picture performance under all lighting conditions. The FlexiDome<sup>XT+</sup> camera is easy to install and ready to use, and offers the best solution for demanding scene conditions.

Features include:

- Impact-resistant dome
- Tamper-resistant housing
- NightSense™
- Lens focus aid
- Bilinx™ bi-directional coaxial communications

The FlexiDome<sup>XT+</sup> camera is available in color and monochrome versions.

## Type number overview

### FlexiDome<sup>XT+</sup> Monochrome

Type number	VDM-355V03-10	VDM-355V04-10	VDM-355V03-20	VDM-355V04-20
Lens	Varifocal 2.6-6 mm F1.4-360	Varifocal 3.7-12 mm F1.6-360	Varifocal 2.6-6 mm F1.4-360	Varifocal 3.7-12 mm F1.6-360
Standard	CCIR		EIA	
Supply voltage	24 Vac, 50Hz or 12 Vdc		24 Vac, 60Hz or 12 Vdc	
CCD type	1/3"			

### FlexiDome<sup>XT+</sup> Color

Type number	VDC-455V03-10	VDC-455V04-10	VDC-455V03-20	VDC-455V04-20
Lens	Varifocal 2.6-6 mm F1.4-360	Varifocal 3.7-12 mm F1.6-360	Varifocal 2.6-6 mm F1.4-360	Varifocal 3.7-12 mm F1.6-360
Standard	Color PAL		Color NTSC	
Supply voltage	24 Vac, 50Hz or 12 Vdc		24 Vac, 60Hz or 12 Vdc	
CCD format	1/3"			

## Unpacking

Unpack carefully and handle the equipment with care. The packaging contains:

- Integrated FlexiDome camera
- Mounting hardware kit
- Special screwdriver for tamper resistant screw
- Lens adjustment cap
- Installation manual

### Note

If equipment appears to have been damaged during shipment, repack it in the original packaging and notify the shipping agent or supplier.

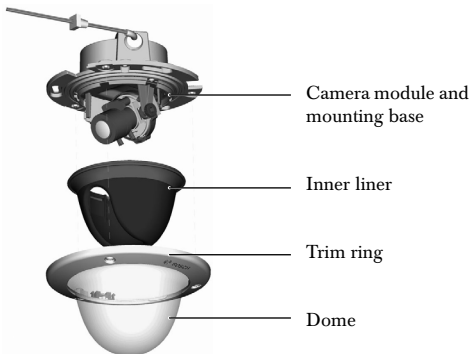


## Caution

Installation should only be performed by qualified service personnel in accordance with the National Electrical Code or applicable local codes.

## Disassembly

The camera/housing unit consists of the following parts:



## Caution

The camera module is a sensitive device and must be handled carefully. Do not drop when disassembling the unit.

To disassemble the unit proceed as follows:

- Using the special screwdriver, loosen the three tamper resistant screws in the trim ring (the screws remain in place).
- Remove the trim ring with dome by pulling it off of the base.
- Remove the inner liner by pulling it off of the base.



## Mounting the unit

The unit may be mounted in several different ways depending on the type of surface, whether an electrical box is used and whether the connection is via the rear or the side (surface mounted).



### Caution

Installation should only be performed by qualified service personnel in accordance with the National Electrical Code or applicable local codes.

If the unit is surface mounted, use the separately available raised mounting base (VDA-455SMB) and mount the unit onto this base.

#### Tips

- Refer to the dimensions drawing to find the exact position of the screw holes and the entry hole for the wires.
- Partially screw in two screws for the keyholes and use them to temporarily hang the camera while the connections are made.

The following figures show the different ways of mounting the unit.

Figure 1 Rear connection - hollow surface

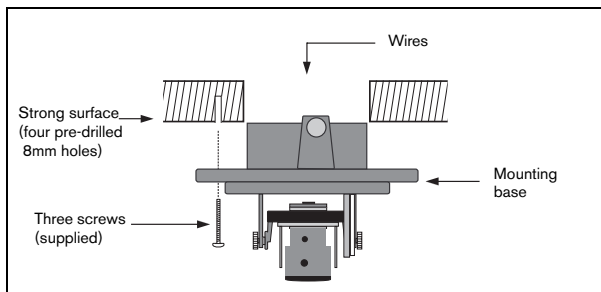


Figure 2 Connection to an electrical box (4S)

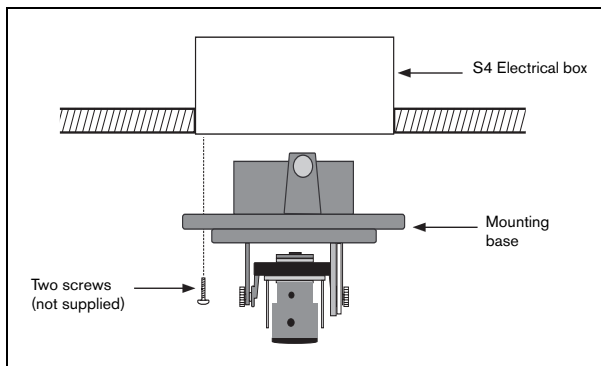


Figure 3 Surface mounting - side connection

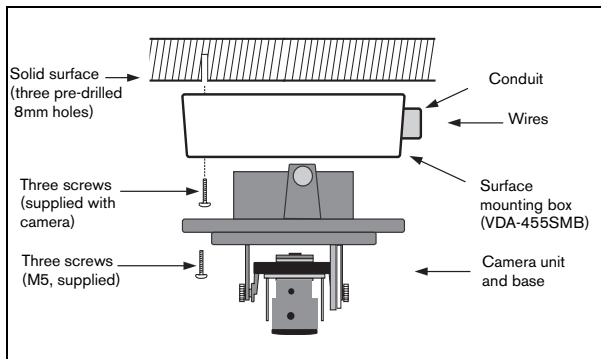
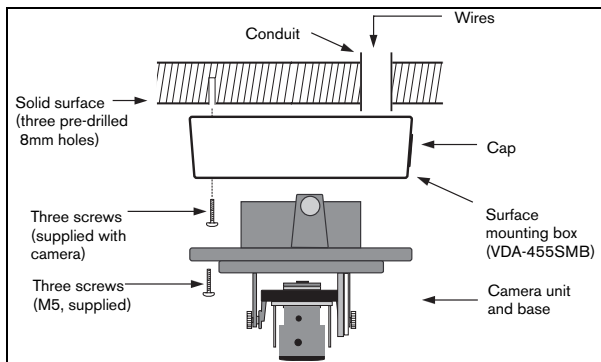


Figure 4 Surface mounting - rear connection



### Surface mounting

When using the raised mounting box:

- With a side connection, remove the cap covering the side entrance. With a rear connection, leave the cap in place.
- Attach the conduit to the mounting box.
- Release the two clips at the bottom of the watertight connection compartment to remove it from the mounting box.
- Open the cover of the watertight compartment in the mounting box by releasing the 5 clips.
- Run the power and video wires through separate rubber grommets into the watertight compartment.
- Run the cable from the camera into the watertight compartment through the supplied grommet.
- Make the connection inside the watertight compartment and clip on the cover to seal it.

### Note

In order to ensure a watertight cable entry, use round cables of between 5 and 6 mm (0.2 - 0.24 inches) for power and video connection. Use some silicon spray on the cable to help slide the grommets onto it.

## Connection in outdoor applications

### Safety precautions:

**Coax grounding:** If an outside cable system is connected to the unit, ensure that the system is grounded.

U.S.A. models only - Section 810 of the National Electrical Code, ANSI/NFPA No.70, provides information regarding proper grounding of the mount and supporting structure, grounding of the coax to a discharge unit, size of grounding conductors, location of discharge unit, connection to ground electrodes, and requirements for the grounding electrode.

**Power lines:** An outdoor system should not be located in the vicinity of overhead power lines, electrical lights, or power circuits, or where it may contact such power lines or circuits. When installing an outdoor system, extreme care should be taken to keep from touching power lines or circuits, as this contact may be fatal. U.S.A. models only - refer to the National Electrical Code Article 820 regarding installation of CATV systems.

**24 VAC power source:** This unit is intended to operate with a limited power source, this power source must comply with EN60950. When the unit is intended to operate at 24 VAC, normal input voltage is between 12 VAC and 28 VAC. Voltage applied to the unit's power input should not exceed 28 VAC. User supplied wiring, from 24 VAC supply to unit, must be in compliance with electrical codes (Class 2 power levels). Do not ground the 24 VAC supply at the terminals or at the unit's power supply terminals.

**Connection:** The unit has connection terminals on flying leads. In wet or outdoor installations make use of the VDA-455SMB accessory or use a field wiring box with Nema3 or IP55 protection level or better. Make the connections inside the water tight compartment. After connections are made ensure that the watertight compartment is tightly closed and cables and conduits are properly sealed to prevent ingress of water.



VDA-455SMB

## Connection and set-up

### Power and video connections

The wiring harness has a BNC connector to accept the video coax cable (with male BNC connector) and two stripped low voltage power wires for connection to a power connector. (A UTP adapter is available as an accessory to allow a UTP video cable to be connected to the BNC connector.)



#### Caution

Before proceeding, be sure to disconnect the power from the cable to be installed into the unit. Be sure that the unit is of the proper voltage type for the line power being used.

The easiest way to connect the low voltage power lines and the video connection is as follows:

- Bring the building connections through the surface wire hole so that they hang clear.
- Partially insert two screws into the pre-drilled holes (or adapter plate).
- Using the keyholes, hang the mounting base on one screw temporarily and tilt the base slightly to gain access to the cable connections.
- Connect the BNC connector of the camera module to the video coax cable.
- Connect the stripped power wires to the power supply connector.

#### Note

For a DC supply the polarity is not important. For an AC supply try to maintain a consistent wiring polarity in multiple camera systems to help avoid rolling when switching.

- In damp environments ensure that the connections are sealed. (The surface mounting box has a sealed compartment for this.)
- Push the connections back through the surface wire hole.
- Secure the mounting base to the surface with three screws.

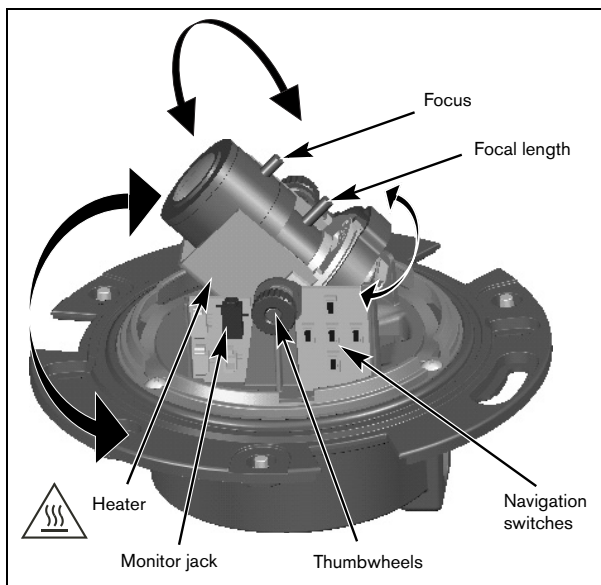
## Setting up the camera



### Warning: Hot Surface

The Heater will be HOT when in operation - DO NOT TOUCH.  
Always switch the heater OFF, when working on the camera.  
Refer to the installer menu (see Menu Structure) for instructions.

You can connect a monitor to the miniature 2.5mm jack socket on the printed circuit board to help set up the camera. This socket provides a composite video signal (with sync). An optional cable (code number S1460) is available for making this connection.



## Camera positioning

The physical default position of the camera is that the top of the image corresponds to the indication TOP.



### Caution

The CCD image sensors are highly sensitive and require special care for proper performance and extended lifetime. Do not expose them to direct sunlight or bright spotlights in operating and non-operating conditions. Avoid bright lights in the field of view of the camera.

The camera module position can be adjusted along three axes. When adjusting the camera position ensure that the picture display on the monitor is level. Set the camera to the desired position by performing the following steps:

- For horizontal adjustment (pan), rotate the camera module in the base. Do not rotate more than 360°.
- For vertical adjustment (tilt), loosen thumbscrews, position camera, then gently tighten thumbscrews to secure camera.
- To obtain a horizontal horizon (for tilted ceilings or sidewall mounting), rotate the base of the lens as necessary to align the picture shown on the monitor. Do not rotate more than 340°.

## Focal length and focus

Before adjusting, place the adjustment cap on the lens to ensure that the image sharpness is the same as when the dome is in place.

- To set the field of view of the varifocal lens, loosen the focal length screw and turn the mechanism until the required view is displayed on the monitor. (Image goes out of focus.)
- Focus the image on the monitor by loosening the focus screw and turning the mechanism until the image is in focus.
- Readjust the focal length if necessary.
- Repeat these two adjustments until the desired view is in focus.
- Tighten both screws.

Remove the adjustment cap from the lens and the monitoring jack.

## Heater

When using the camera at low temperatures, select the heater setting to "Auto" in the Installer Menu (see Menu Structure).

## Closing the unit

When the camera position is set and all adjustments have been made, close the unit.

- Place the inner liner in position aligning its fin with the bracket on the base.
- Place the dome onto the base and rotate until it clips into place. (If necessary clean its surface with a soft cloth.)
- Place the sealing ring and the trim ring over the dome.
- Align the tamper resistant screws in the trim ring with a thread holes in the mounting base.
- Use the special screwdriver supplied to tighten the three tamper resistant screws.



## Advanced Set-up

The FlexiDome<sup>XT+</sup> normally provides an optimal picture without the need for further adjustments. However, advanced set-up options are available for getting the best results from the camera under special circumstances. There are two menus; a **Main** menu and an **Installer** menu.

The **Main** menu allows you to select and set-up the picture enhancement functions for each mode. If you are not happy with your changes, you can always recall the default values for the mode.

The camera also has an **Installer** menu in which the installation settings can be set.

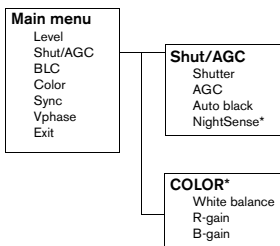
The **Main** and **Installer** menus have functions that can be selected directly or submenus for more detailed set-up.

## Accessing and navigating menus

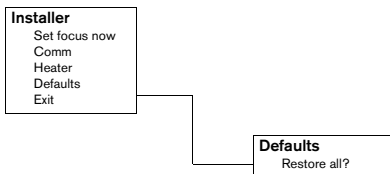
Five keys are used for navigating through the various menus. To access the set-up menus, press the menu/select key (center). The main menu appears on the OSD. Use the arrow keys for navigation.

When the Bilinx<sup>TM</sup> communications link is active, the buttons on the camera are disabled. You can also set up Bilinx<sup>TM</sup> so that the camera buttons remain disabled even when Bilinx<sup>TM</sup> is not actively controlling the camera. This prevents unauthorized change of the camera settings.

## Menu Structure

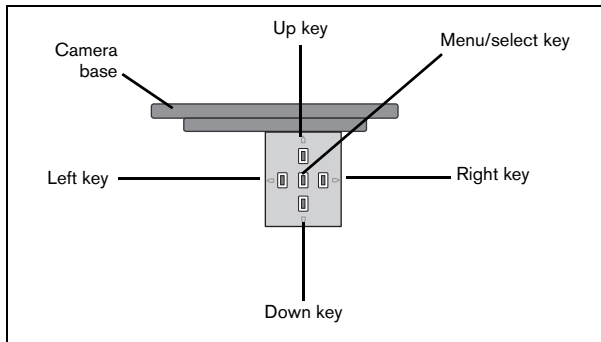


\* Only for the Color version of the camera.



## Hints for menu navigation

### How to use the 5 keys



- Press the menu/select key to access the menus or to move to the next or previous menu.
- Press the menu/select key for approximately 1.5 seconds to open the **Installer** menu.
- Use the up or down keys to scroll up or down through a menu.
- Use the left or right keys to move through options or to set parameters.
- When in a menu, quickly pressing the menu/select key twice restores the selected item to its factory default.
- To close all menus at once from any menu, select the **Exit** item and hold down the menu/select key until the menu display disappears.

## Main menu

Function	Selection	Description
LEVEL	-15 - 0 - +15	Adjusts the video output level
SHUT/AGC	Select submenu	Select to access the Shutter / Automatic Gain Control menu
BLC	ON, OFF	When ON, the video level is optimized for the selected area of the image. Parts outside this area may be underexposed or overexposed (this is normal).
COLOR*	ATW ATB HOLD Select submenu	Select to access the color menu.
SYNC	LINE LOCK INTERNAL	Select LINE LOCK to synchronize with the power supply frequency. Select INTERNAL for use with internal synchronization (automatically selected with DC supply).
VPHASE	0, 2, ... 358°	Adjusts the vertical phase offset (when in LINE LOCK mode and a valid power supply frequency is detected).
EXIT		Exit the menu

\* Only in color version of camera. If a color camera is in monochrome mode, all color related menu items are disabled and cannot be accessed.

## Shutter/AGC submenu

Function	Selection	Description
SHUTTER	AES, FL	<ul style="list-style-type: none"> <li>• AES - auto-shutter - the camera automatically sets the optimum shutter speed</li> <li>• FL - flickerless mode avoids interference from light sources (recommended for use with video iris or DC iris lenses only)</li> </ul>
AGC	ON/OFF	Automatic gain control
AUTOBLACK	ON/OFF	Autoblack automatically increases the visibility of details.

NIGHTSENSE*	AUTO FORCED OFF	Nightsense™ extends the low-light performance of the camera. <ul style="list-style-type: none"> <li>• In AUTO mode, the camera automatically inches to monochrome in low-light conditions.</li> <li>• In FORCED mode, the camera remains in high-sensitivity monochrome operation.</li> </ul>
EXIT		Exit the menu

\* Only in color version of camera.

### Note

If NightSense™ is active, some noise or spots may appear in the picture. This is normal camera behavior.

If a color camera is in monochrome mode, all color related menu items are disabled and cannot be accessed.

### Color submenu\*

Function	Selection	Description
WHITE BALANCE	ATW AWB HOLD	<ul style="list-style-type: none"> <li>• ATW: Auto tracking white balance allows the camera to constantly adjust for optimal color reproduction.</li> <li>• AWB HOLD: Puts the ATW on hold and saves the color settings.</li> </ul>
RED gain**	-5 - 0 - +5	Offset factory white point alignment (reducing red introduces more cyan).
BLUE gain**	-5 - 0 - +5	Offset factory white point alignment (reducing blue introduces more yellow).
EXIT		Exit the menu

\* Only in color version of camera.

\*\* It is only necessary to change the white point offset for special scene conditions.

## Installer Settings

### Install menu

Function	Selection	Description
SET FOCUS NOW		Forces the lens to fully open the iris. Adjust the lens focus now.
COMM	ON, OFF	Bilinx communication ON/OFF
HEATER	AUTO, OFF	Select AUTO to enable the thermostatically controlled heater function
DEFAULTS	Select submenu	Return all settings for all modes to factory defaults
EXIT		Exit the menu

Adjustment procedure DC-iris Lens:

1. Unlock the focus locking screw.
2. SET BACK FOCUS NOW is highlighted in the menu.
3. Turn the focus adjustment as required.
4. Lock the focus locking screw.
5. Exit the menu selection.

### Defaults submenu

Function	Selection	Description
ALL DEFAULTS		Select to restore the factory defaults. A confirmation screen appears. Allow 5 seconds for the camera to optimize the picture after a mode reset.
EXIT		Exit the menu

### Camera control communication

This camera is equipped with a coaxial communications transceiver. In combination with VP-CFGSFT, the camera can be adjusted from the head-end side of the coaxial cable. All menus can be accessed remotely giving full control of the camera. With this communication it is also possible to disable the local keys on the camera. To avoid loss of communication on an installed camera, the Communication ON/OFF selection is **not** available while using remote control. This function can only be accessed with the camera buttons.

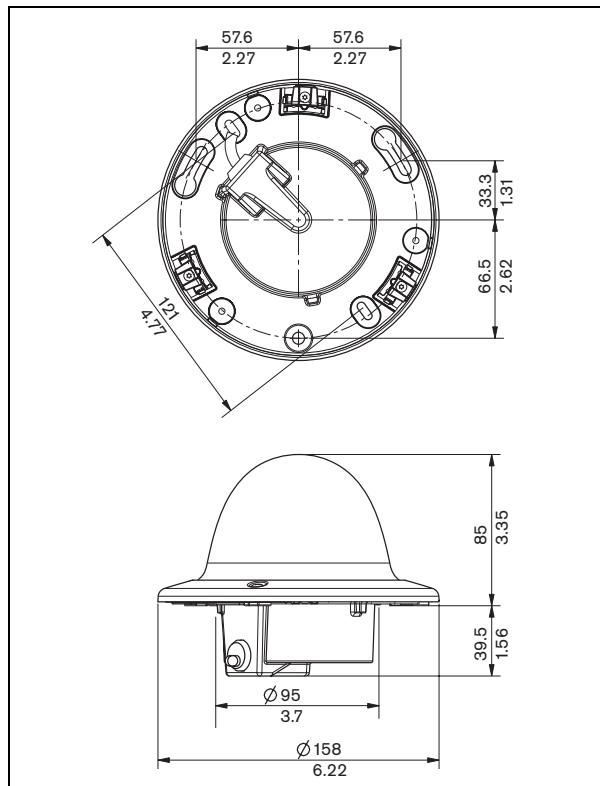
## Technical specification

Type number	VDC-455V0x-10	VDC-455V0x-20	VDC-355V0x-10	VDC-355V0x-20
Standard	PAL	NTSC	CCIR	EIA
Active pixels	752x582	768x492	752x582	768x492
Min illumination	< 1.0 lux < 0.4 lux (NightSense On)		< 0.2 lux	
Resolution	540 TVL		570 TVL	
Rated supply voltage	24 VAC or 12 VDC 12-28 VAC (50/60 Hz) 11-36 VDC			

### All versions

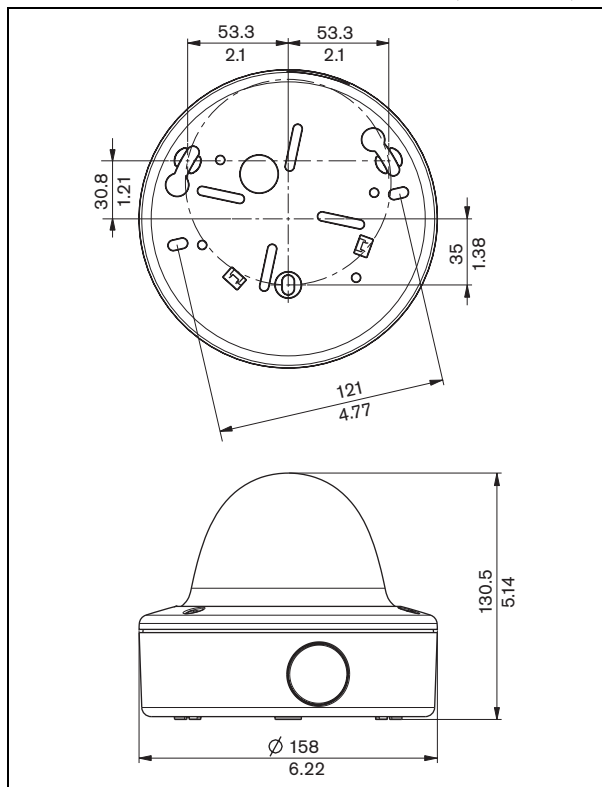
Imager	Interline CCD
SNR	> 50 dB
Video output	1 Vpp, 75 Ohm
Synchronization	Internal or Line Lock selectable
Shutter	AES (1/60 (1/50) to 1/100000), Flickerless selectable
Auto black	On, Off selectable
AGC	AGC On (20 dB) or Off selectable
Contour	Sharpness enhancement
BLC	BLC On or Off selectable
White balance*	Automatic 2500 - 9000K (with AWB hold mode)
Lens	Integrated Varifocal with DC iris
Power consumption	< 5 W
Dimensions	58 x 66 x 122 mm (HxWxL) without lens
Weight	550g without lens
Operating temperature	-30° to 50° C (-50° with heater AUTO enabled)
Controls	OSD with softkey operation

## Dimensions (mm/inches)





## Dimensions with surface mount box (mm/inch)



## Accessories

### Power transformers

- TC1334 120VAC, 60Hz - 24VAC, 30VA
- TC120PS 120VAC, 60Hz - 15VDC, 9VA
- TC220PSX-24 220-240VAC, 50/60Hz - 24VAC, 30VA
- TC220PS 220-240VAC, 50/60Hz - 15VDC, 9VA

### Interface box:

- VP-CFGSFT Bilinx<sup>TM</sup> communication interface box and software





## CONSIGNES DE SÉCURITÉ



### Danger

Un triangle équilatéral comportant un éclair à extrémité fléchée signale que le produit renferme une « tension potentiellement dangereuse » non isolée, de puissance suffisante pour provoquer une électrocution.



### Avertissement

Un triangle équilatéral comportant un point d'exclamation signale la présence d'instructions d'utilisation et d'entretien (dépannage) importantes dans la documentation qui accompagne l'appareil.



### Attention

Pour éviter tout risque d'électrocution, n'essayez pas de retirer le capot (ou le panneau arrière). Cet appareil ne contient aucun composant susceptible d'être réparé par l'utilisateur. Confiez la réparation de l'appareil à du personnel qualifié.

## Consignes de sécurité importantes

1. Lisez attentivement les instructions ci-après.
2. Conservez ces instructions pour référence ultérieure.
3. Conformez-vous aux différents avertissements fournis.
4. Suivez l'ensemble de ces instructions.
5. Évitez d'utiliser l'appareil à proximité d'une source d'humidité.
6. Pour nettoyer l'appareil, utilisez uniquement un chiffon sec.
7. N'obstruez en aucun cas les orifices d'aération. Installez l'appareil conformément aux instructions du fabricant.
8. Évitez d'installer l'appareil à proximité de sources de chaleur telles qu'un radiateur, une bouche d'air chaud, un four ou tout autre dispositif générant de la chaleur (amplificateurs, etc.).

9. La fiche de terre ou polarisée assure votre sécurité ; vous ne devez pas la retirer. La fiche polarisée est formée d'une petite et d'une grande broche. La fiche de terre est formée de deux broches et d'une borne de mise à la terre. La broche la plus large et la borne de mise à la terre sont conçues pour assurer votre sécurité. Si la fiche fournie n'entre pas dans la prise que vous souhaitez utiliser, demandez conseil à un électricien.
10. Placez le cordon d'alimentation de sorte qu'il ne soit ni piétiné ni comprimé, en particulier au niveau de la fiche de connexion, de la prise de courant et du point de sortie de l'appareil.
11. Utilisez uniquement les accessoires et les dispositifs de fixation recommandés par le fabricant.
12. Débranchez l'appareil en cas d'orage ou si vous n'avez pas l'intention de l'utiliser pendant une période prolongée.
13. Toute opération de dépannage doit être confiée à un réparateur qualifié. Une réparation s'impose lorsque l'appareil a été endommagé : détérioration du cordon d'alimentation ou de la fiche, infiltration de liquide, introduction d'objets, fonctionnement anormal ou chute de l'appareil.
14. Un interrupteur secteur omnipolaire, avec séparation des contacts de 3 mm minimum entre chaque pôle, doit être intégré à l'installation électrique du bâtiment.



## Attention

Le bloc d'alimentation basse tension doit être conforme à la norme EN/UL 60950. L'alimentation doit être fournie par une unité SELV-LPS ou SELV - classe 2 (Safety Extra Low Voltage - Limited Power Source).

## Informations FCC

Suite à différents tests, cet appareil s'est révélé conforme aux exigences imposées aux appareils numériques de classe B, en vertu de la section 15 du règlement de la Commission fédérale des communications des États-Unis (FCC). Ces exigences visent à fournir une protection raisonnable contre les interférences nuisibles dans le cadre d'une installation résidentielle. Cet appareil génère, utilise et émet de l'énergie de radiofréquences et peut, en cas d'installation ou d'utilisation non conforme aux instructions, engendrer des interférences nuisibles au niveau des radiocommunications. Cependant, l'absence d'interférences dans une installation particulière n'est toutefois pas garantie. Il est possible de déterminer la production d'interférences en mettant l'appareil successivement hors et sous tension, tout en contrôlant la réception radio ou télévision. L'utilisateur peut parvenir à éliminer les interférences éventuelles en prenant une ou plusieurs des mesures suivantes :

- réorienter ou repositionner l'antenne réceptrice ;
- augmenter la distance entre l'équipement et le récepteur ;
- brancher l'équipement sur la prise d'un circuit différent de celui auquel le récepteur est connecté ;
- consulter le revendeur ou un technicien qualifié en radio/télévision pour obtenir de l'aide.

## Remarque

Toute modification apportée au produit, non expressément approuvée par Bosch, est susceptible d'entraîner la révocation du droit d'utilisation de l'appareil. Pour obtenir de plus amples informations ou pour vous entretenir avec un représentant, contactez le bureau Bosch Security Systems le plus proche, ou visitez notre site Web à l'adresse [www.boschsecuritysystems.com](http://www.boschsecuritysystems.com).

## Introduction

La caméra FlexiDome<sup>XT+</sup> consiste en un dôme de surveillance haute sécurité à la fois compact et discret. Elle intègre un capteur CCD 1/3" hautes performances et un objectif varifocale. L'unité intégrée s'installe sur un coffret de branchement ou se fixe au mur ou encore au plafond. De construction robuste, le dôme en polycarbonate avec une résistance élevée aux chocs assure la protection du module caméra contre des dégradations éventuelles.

La caméra repose sur une technologie évoluée de traitement du signal numérique. Résultat : une qualité d'image exceptionnelle, quelles que soient les conditions de luminosité. Prête à l'emploi, la caméra FlexiDome<sup>XT+</sup> s'installe très facilement. Elle constitue la solution de choix pour les conditions de prise de vue les plus délicates.

Parmi ses nombreuses fonctionnalités, citons :

- Dôme résistant aux chocs
- Boîtier anti-vandalisme
- NightSense™
- Aide à la mise au point de l'objectif
- Communication bidirectionnelle Bilinx™

La caméra FlexiDome<sup>XT+</sup> est disponible en version couleur ou monochrome.



## Versions disponibles

FlexiDome<sup>XT+</sup> monochrome

Référence	VDM-355V03-10	VDM-355V04-10	VDM-355V03-20	VDM-355V04-20
Objectif	Varifocale 2,6 - 6 mm F1.4 - 360	Varifocale 3,7 - 12 mm F1.6 - 360	Varifocale 2,6 - 6 mm F1.4 - 360	Varifocale 3,7 - 12 mm F1.6 - 360
Standard	CCIR		EIA	
Tension d'alimentation	24 Vca, 50 Hz ou 12 Vcc		24 Vca, 60 Hz ou 12 Vcc	
Capteur CCD	1/3"			

FlexiDome<sup>XT+</sup> couleur

Référence	VDC-455V03-10	VDC-455V04-10	VDC-455V03-20	VDC-455V04-20
Objectif	Varifocale 2,6 - 6 mm F1.4 - 360	Varifocale 3,7 - 12 mm F1.6 - 360	Varifocale 2,6 - 6 mm F1.4 - 360	Varifocale 3,7 - 12 mm F1.6 - 360
Standard	Couleur PAL		Couleur NTSC	
Tension d'alimentation	24 Vca, 50 Hz ou 12 Vcc		24 Vca, 60 Hz ou 12 Vcc	
Format CCD	1/3"			

## Déballage

Déballer soigneusement l'appareil et manipulez-le avec précaution.

L'emballage contient les éléments suivants :

- Une caméra FlexiDome intégrée
- Un kit de montage
- Un tournevis spécial pour vis inviolables
- Une lentille de réglage de l'objectif
- Un manuel d'installation

### Remarque

Si l'appareil a été endommagé lors du transport, remplacez-le dans l'emballage d'origine et avertissez le transporteur ou le fournisseur.

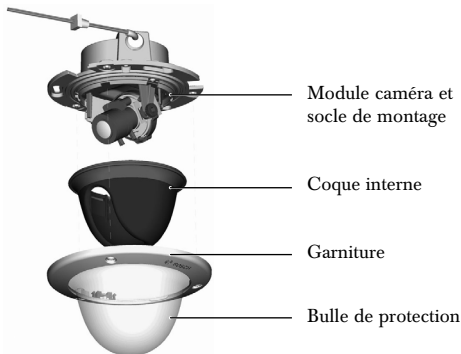


## Attention

L'installation doit exclusivement être réalisée par du personnel qualifié, conformément au code national d'électricité américain (NEC) ou au code d'électricité local en vigueur.

## Démontage

L'unité caméra/boîtier se compose des éléments suivants :



## Attention

Le module caméra est un composant sensible devant être manipulé avec le plus grand soin. Évitez de le laisser tomber lors du démontage de l'unité.

Pour démonter l'unité, procédez comme suit :

- Utilisez le tournevis spécial pour desserrer les trois vis inviolables de la garniture sans les retirer.
- Retirez la garniture et la bulle de la base.
- Retirez la coque interne de la base.

## Montage de l'unité

L'unité se monte de différentes façons selon le type de surface, l'utilisation éventuelle d'un coffret de branchement et le type de connexion, à savoir arrière ou latérale (montage en saillie).



### Attention

L'installation doit exclusivement être réalisée par du personnel qualifié, conformément au code national d'électricité américain (NEC) ou au code d'électricité local en vigueur.

Pour monter l'unité en surface, utilisez le socle de montage en saillie fourni séparément (VDA-455SMB).

#### Conseils

- Reportez-vous au schéma dimensionnel pour connaître l'emplacement exact des trous de vis et du point d'entrée des câbles.
- Serrez partiellement deux vis via les orifices en forme de trous de serrure pour fixer provisoirement la caméra pendant la réalisation des connexions.

Les figures ci-après illustrent les différentes options de montage de l'unité.

Figure 1 Connexion arrière - Surface creuse

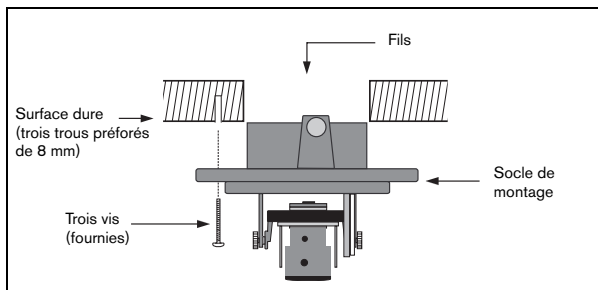


Figure 2 Connexion à un coffret de branchement (4S)

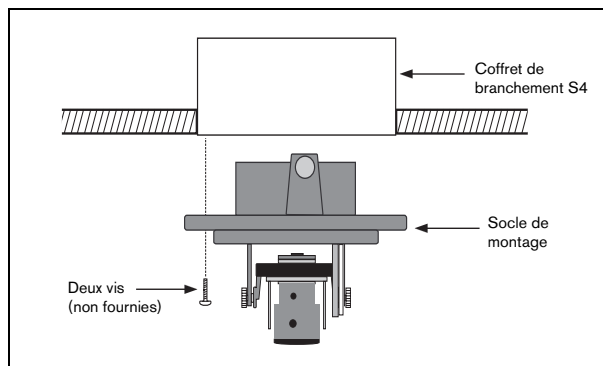


Figure 3 Montage en saillie - Connexion latérale

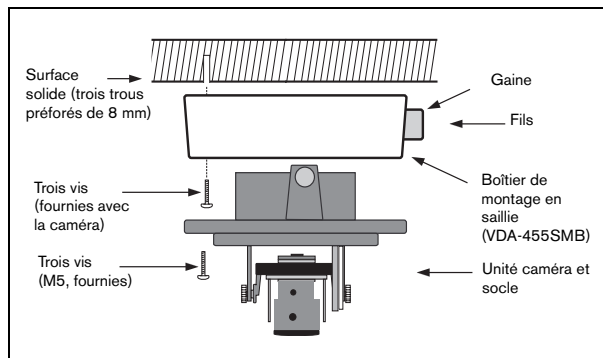
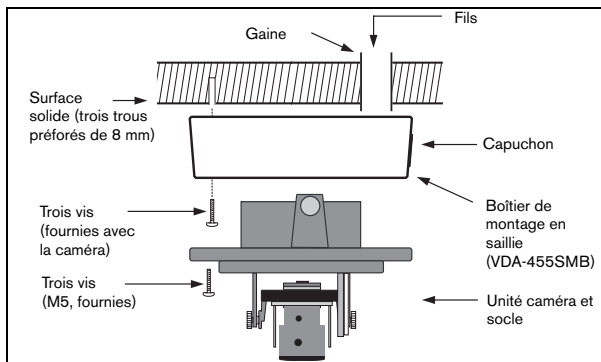


Figure 4 Montage en saillie - Connexion arrière



### Montage en saillie

En cas d'utilisation du boîtier de montage en saillie :

- Avec connexion latérale : retirez le capuchon de l'entrée latérale.  
Avec connexion arrière : ne retirez pas le capuchon de l'entrée latérale.
- Fixez la gaine sur le boîtier de montage.
- Détachez les deux clips situés à la base du compartiment de branchement étanche pour le retirer du boîtier de montage.
- Détachez les 5 clips pour ouvrir le couvercle du compartiment étanche du boîtier de montage.
- Utilisez des passe-fils en caoutchouc distincts pour acheminer les fils électriques et vidéo vers le compartiment étanche.
- Acheminez le câble de la caméra dans le compartiment étanche via le passe-fils.
- Effectuez les branchements nécessaires à l'intérieur du compartiment étanche, puis encliquetez le couvercle pour le fermer.

### Remarque

Pour garantir une entrée de câbles parfaitement étanche, utilisez des câbles ronds de 5 et 6 mm pour la connexion des fils électriques et vidéo. Appliquez de la silicone sur le câble à l'aide d'un spray pour faciliter l'installation des passe-fils.

# Raccordement dans les applications extérieures

## Consignes de sécurité :

**Mise à la terre du câble coaxial :** si vous connectez un système de câblage externe à l'appareil, assurez-vous que ce système est mis à la terre. Modèles américains uniquement : la section 810 du code national d'électricité américain (NEC), ANSI/NFPA n° 70, fournit des informations sur la mise à la terre de la monture et de la structure portante, la mise à la terre du câble coaxial vers un dispositif de décharge, la taille des conducteurs de terre, l'emplacement du dispositif de décharge, la connexion aux électrodes de terre et les exigences relatives aux électrodes de terre.

**Lignes électriques :** évitez de placer les systèmes extérieurs à proximité de lignes électriques aériennes, de systèmes d'éclairage électrique, de circuits électriques, ou à un endroit où ils risquent d'entrer en contact avec de tels dispositifs. Lors de l'installation d'un système d'extérieur, évitez de toucher les lignes et les circuits électriques : un tel contact peut être fatal. Modèles américains uniquement : consulter l'article 820 du Code national de l'électricité (NEC) relatif à l'installation des circuits de câblodistribution (CATV).

**Source d'alimentation 24 Vca :** cet appareil nécessite une source d'alimentation limitée, qui doit être conforme à la norme EN60950. Pour les modèles nécessitant une alimentation 24 Vca, utilisez une tension d'entrée standard comprise entre 12 Vca et 28 Vca. La tension appliquée à l'entrée d'alimentation de l'appareil ne peut dépasser 28 Vca. Le câblage fourni par l'utilisateur, de l'alimentation 24 Vca vers l'appareil, doit être conforme aux codes d'électricité en vigueur (niveaux de puissance de classe 2). L'alimentation 24 Vca des bornes de connexion et des bornes d'alimentation de l'appareil ne doit pas être mise à la terre.

**Raccordement :** l'appareil est doté de bornes de connexion sur les câbles volants. En environnement humide ou à l'extérieur, utilisez l'accessoire VDA-455SMB ou un câblage d'excitation avec un niveau de protection NEMA 3, IP 55 ou supérieur. Effectuez les branchements à l'intérieur du compartiment étanche. Une fois les connexions réalisées, assurez-vous que le compartiment étanche est fermé correctement et que l'étanchéité des câbles et conduits est optimale afin d'empêcher toute infiltration de liquide.



VDA-455SMB

# Connexion et installation

## Connexion des fils électriques et vidéo

Le faisceau de câbles comporte un connecteur BNC acceptant le câble coaxial vidéo (avec connecteur BNC mâle), ainsi que deux fils électriques dénudés basse tension pour le branchement sur un boîtier d'alimentation. (Un adaptateur UTP est disponible en option pour permettre la connexion d'un câble vidéo UTP au connecteur BNC.)



### Attention

Avant de poursuivre, coupez l'alimentation du câble à installer sur l'unité. Vérifiez si la tension de l'unité correspond à celle de la ligne utilisée.

Pour connecter les lignes électriques basse tension et établir la connexion vidéo en toute simplicité, procédez comme suit :

- Acheminez les connexions de l'immeuble par le trou de la surface, de sorte qu'elles sortent suffisamment.
- Insérez partiellement deux vis dans les trous préforés.
- Utilisez les orifices en forme de trous de serrure pour fixer provisoirement le socle sur une vis, puis inclinez légèrement le socle pour accéder aux raccords de câbles.
- Branchez le connecteur BNC du module caméra sur le câble coaxial vidéo.
- Branchez les fils électriques dénudés sur le connecteur d'alimentation.

### Remarque

Si vous utilisez une alimentation en courant continu, la polarité ne revêt aucune importance particulière. En revanche, si vous utilisez une alimentation en courant alternatif, essayez d'appliquer une polarité de câblage cohérente dans les différents systèmes de caméras pour éviter les problèmes de synchronisation lors de la commutation.

- Dans les environnements humides, vérifiez l'étanchéité des connexions. (Le boîtier de montage en surface comprend un compartiment étanche prévu à cet effet.)
- Repoussez les connexions par le trou de la surface.
- Fixez fermement le socle sur la surface à l'aide de trois vis.

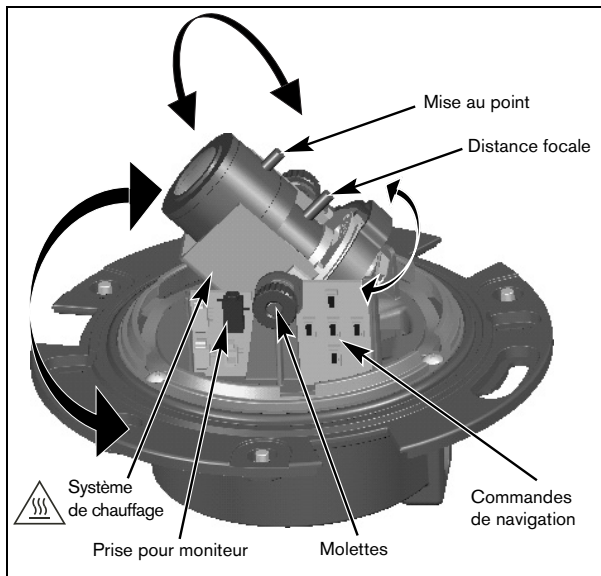
## Installation de la caméra



### Avertissement : Surface chaude

En cours de fonctionnement, le système de chauffage présente une température élevée. NE le touchez en AUCUN cas. Éteignez toujours le système de chauffage lorsque vous travaillez sur la caméra. Reportez-vous aux instructions du menu Installer (voir la structure des menus).

Il est possible de connecter un moniteur au minijack 2,5 mm de la carte à circuits imprimés pour faciliter l'installation de la caméra. Cette prise fournit un signal vidéo composite (avec synchronisation). Vous pouvez vous procurer un câble disponible en option (référence S1460) pour réaliser cette connexion.





## Mise en place de la caméra

Par défaut, la position physique de la caméra présente le haut de l'image sur l'indication TOP.



### Attention

Les capteurs d'image CCD sont des composants très sensibles. Pour garantir une durée de vie et des performances optimales, manipulez ces composants avec le plus grand soin. Évitez de les exposer à la lumière directe du soleil et des spots lumineux, même en cas de non-utilisation. Évitez la projection de lumière de forte intensité dans le champ de vision de la caméra.

La position du module caméra se règle sur trois axes. Lors du réglage de la position de la caméra, assurez-vous que l'image affichée sur le moniteur est de niveau. Pour régler la caméra sur la position de votre choix, procédez comme suit :

- Pour effectuer le réglage horizontal (balayage horizontal), faites pivoter le module caméra dans le socle. Le module caméra ne doit pas pivoter de plus de 360°.
- Pour effectuer le réglage vertical (balayage vertical), desserrez les vis à oreilles, placez la caméra dans la position souhaitée, puis serrez les vis sans forcer pour fixer la caméra.
- Pour obtenir un horizon horizontal (montage sur plafond incliné ou piédroit), faites pivoter le socle de l'objectif de sorte à aligner l'image affichée sur le moniteur. Le module caméra ne doit pas pivoter de plus de 340°.

## Distance focale et mise au point

Commencez par placer la lentille de réglage sur l'objectif de sorte que l'image présente une netteté identique à celle observée lorsque la bulle est mise en place.

- Pour procéder au réglage du champ de vision de l'objectif varifocale, desserrez la vis de commande de la distance focale, puis tournez le dispositif jusqu'à obtention du champ de vision souhaité sur le moniteur (l'image est alors défocalisée).

- Pour focaliser l'image sur le moniteur, desserrez la vis de commande de la mise au point, puis tournez le dispositif jusqu'à obtention d'une image focalisée.
- Au besoin, réglez de nouveau la distance focale.
- Recommencez ces deux réglages jusqu'à ce que le champ de vision souhaité soit parfaitement focalisé.
- Serrez les deux vis.

Retirez la lentille de réglage de l'objectif et de la prise pour moniteur.

## Système de chauffage

Lorsque vous utilisez la caméra à des températures peu élevées, sélectionnez « Auto » dans le menu Installer (voir la structure des menus).

## Fermeture de l'unité

Une fois la caméra installée et configurée selon vos besoins, fermez l'unité.

- Placez la coque interne en alignant son arête sur le support du socle.
- Placez la bulle sur le socle et faites-la pivoter jusqu'à ce qu'elle s'encliquette. (Si nécessaire, nettoyez la surface à l'aide d'un chiffon doux.)
- Placez la bague d'étanchéité et la garniture sur la bulle.
- Alignez les vis inviolables de la garniture sur les trous taraudés du socle de montage.
- Utilisez le tournevis spécial fourni pour serrer les trois vis inviolables.

## Configuration avancée

La caméra FlexiDome<sup>XT+</sup> restitue une image optimale sans qu'aucun réglage supplémentaire ne soit nécessaire. Toutefois, les différentes options de configuration avancée permettent d'obtenir un résultat idéal dans des circonstances particulières. Le système comprend deux menus : **Main** et **Installer**.

Le menu **Main** permet de sélectionner et de configurer les fonctions d'optimisation de l'image pour chaque mode. Si les modifications apportées ne vous conviennent pas, vous avez toujours la possibilité de rétablir les valeurs par défaut pour le mode en question.

La caméra présente également un menu **Installer** permettant la configuration des paramètres d'installation.

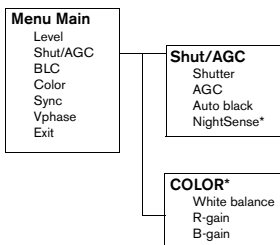
Les fonctions des menus **Main** et **Installer** se sélectionnent soit directement, soit par sous-menus pour une configuration plus détaillée.

## Accès aux menus

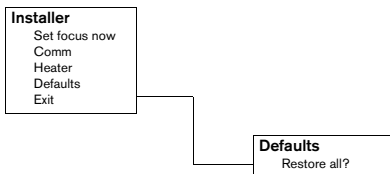
La navigation dans les différents menus s'effectue à l'aide de cinq touches. Pour accéder aux menus de configuration, appuyez sur la touche menu/sélection (touche centrale). Le menu principal s'affiche à l'écran. Pour vous déplacer, utilisez les touches fléchées.

Lorsque la communication Bilinx<sup>TM</sup> est active, les touches de la caméra sont désactivées. Il est possible de paramétrer Bilinx<sup>TM</sup> de sorte que les touches de la caméra restent désactivées lorsque Bilinx<sup>TM</sup> ne procède pas au contrôle actif de l'appareil. Ce réglage empêche toute modification non autorisée des paramètres de la caméra.

## Structure des menus

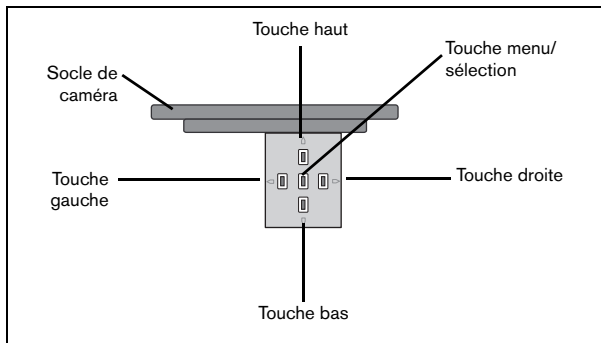


\* Versions couleur uniquement.



## Conseils pour la navigation dans les menus

### Utilisation des 5 touches



- Pour accéder aux menus, ou pour passer au menu précédent ou suivant, appuyez sur la touche menu/sélection.
- Pour ouvrir le menu **Installer**, maintenez enfoncée la touche menu/sélection pendant environ 1 seconde et demie.
- Pour faire défiler le menu vers le haut ou vers le bas, appuyez respectivement sur la touche haut ou bas.
- Pour vous déplacer entre les options ou pour configurer les paramètres, appuyez sur la touche gauche ou droite.
- Pour rétablir la valeur par défaut d'un élément de menu, appuyez brièvement deux fois de suite sur la touche menu/sélection.
- Pour fermer tous les menus en une seule fois à partir d'un menu quelconque, sélectionnez **Exit** et maintenez enfoncée la touche menu/sélection jusqu'à disparition de l'affichage du menu.

## Menu Main

Fonction	Sélection	Description
LEVEL	-15 - 0 - +15	Réglage du niveau de sortie vidéo.
SHUT/AGC	sous-menu	Accès au menu Shutter/AGC.
BLC	ON, OFF	Définie sur ON, cette fonction optimise le niveau vidéo pour la zone d'image sélectionnée. Les parties situées à l'extérieur de cette zone risquent d'être sous-exposées ou surexposées (ce phénomène est tout à fait normal).
COLOR*	ATW ATB HOLD sous-menu	Accès au menu Color.
SYNC	LINE LOCK INTERNAL	Sélectionnez LINE LOCK pour effectuer la synchronisation avec la fréquence d'alimentation. Sélectionnez INTERNAL pour effectuer une synchronisation interne (option sélectionnée automatiquement en cas d'alimentation CC).
VPHASE	0, 2, ... 358°	Réglage du décalage de la phase verticale (en cas de détection d'une fréquence d'alimentation valide en mode LINE LOCK).
EXIT		Sortie du menu.

\* Version couleur uniquement. Lorsque la caméra couleur se trouve en mode monochrome, tous les éléments de menu relatifs à la couleur sont désactivés et inaccessibles.

## Sous-menu Shutter/AGC

Fonction	Sélection	Description
SHUTTER	AES, FL	<ul style="list-style-type: none"> <li>• AES (obturation automatique) : permet à la caméra de sélectionner automatiquement la vitesse d'obturation optimale.</li> <li>• FL (mode anti-scintillement) : évite les interférences avec les sources lumineuses (recommandé pour objectifs à diaphragme vidéo ou DC iris uniquement).</li> </ul>
Contrôle automatique de gain (AGC)	ON/OFF	Contrôle automatique de gain.
AUTOBLACK	ON/OFF	Cette fonction accroît automatiquement la visibilité des détails.

NIGHTSENSE*	AUTO FORCED OFF	NightSense™ accroît les performances de la caméra dans des conditions de faible luminosité. <ul style="list-style-type: none"> <li>• En mode AUTO, la caméra passe automatiquement à l'affichage monochrome dans des conditions de faible luminosité.</li> <li>• En mode FORCED, la caméra reste en affichage monochrome haute sensibilité.</li> </ul>
EXIT		Sortie du menu.

\* Version couleur uniquement.

### Remarque

Lorsque la fonction NightSense™ est activée, des parasites ou des taches risquent d'apparaître sur l'image. Ce phénomène est tout à fait normal. Lorsque la caméra couleur se trouve en mode monochrome, tous les éléments de menu relatifs à la couleur sont désactivés et inaccessibles.

### Sous-menu Color\*

Fonction	Sélection	Description
WHITE BALANCE	ATW AWB HOLD	<ul style="list-style-type: none"> <li>• ATW : grâce au réglage automatique de la balance des blancs, la caméra garantit en permanence une reproduction optimale des couleurs.</li> <li>• AWB HOLD : bloque la fonction ATW pour enregistrer les paramètres relatifs à la couleur.</li> </ul>
RED gain**	-5 - 0 - +5	Décalage de l'alignement du point blanc par défaut (la diminution du rouge entraîne l'augmentation du bleu).
BLUE gain**	-5 - 0 - +5	Décalage de l'alignement du point blanc par défaut (la diminution du bleu entraîne l'augmentation du jaune).
EXIT		Sortie du menu.

\* Version couleur uniquement.

\*\* Il convient de modifier le décalage du point blanc uniquement dans certaines conditions de prise de vue.

## Paramètres du menu Installer

### Menu Install

Fonction	Sélection	Description
SET FOCUS NOW		Pour ouvrir le diaphragme de l'objectif au maximum. Réglez la mise au point à ce stade.
COMM	ON, OFF	Pour activer/désactiver la transmission Bilinx.
HEATER	AUTO, OFF	Sélectionnez AUTO pour activer le système de chauffage à commande thermostatique.
DEFAULTS	sous-menu	Restauration des valeurs par défaut de tous les paramètres des différents modes.
EXIT		Sortie du menu.

Réglage d'un objectif DC iris :

1. Déverrouillez la vis de blocage de la mise au point.
2. L'élément SET BACK FOCUS NOW s'affiche en surbrillance.
3. Tournez la bague de mise au point sur la position de votre choix.
4. Verrouillez la vis de blocage de la mise au point.
5. Quittez le menu.

### Sous-menu Defaults

Fonction	Sélection	Description
ALL DEFAULTS		Restauration des valeurs par défaut. Un écran de confirmation s'affiche. Patientez 5 secondes, le temps que la caméra optimise l'image après réinitialisation du mode.
EXIT		Sortie du menu.

### Configuration de la caméra à distance

Cette caméra est équipée d'un émetteur-récepteur pour transmission coaxiale. Combinée à l'interface USB VP-CFGSFT, la caméra peut se configurer via le câble coaxial. Tous les menus sont dès lors accessibles à distance, pour un contrôle total de l'appareil. Ce système de communication permet également de désactiver les touches locales de la caméra. Pour éviter toute perte de communication au niveau de la caméra installée, la fonction COMMUNICATION ON/OFF est **indisponible** lorsque la télécommande est utilisée. Cette fonction est alors uniquement accessible via les touches de la caméra.



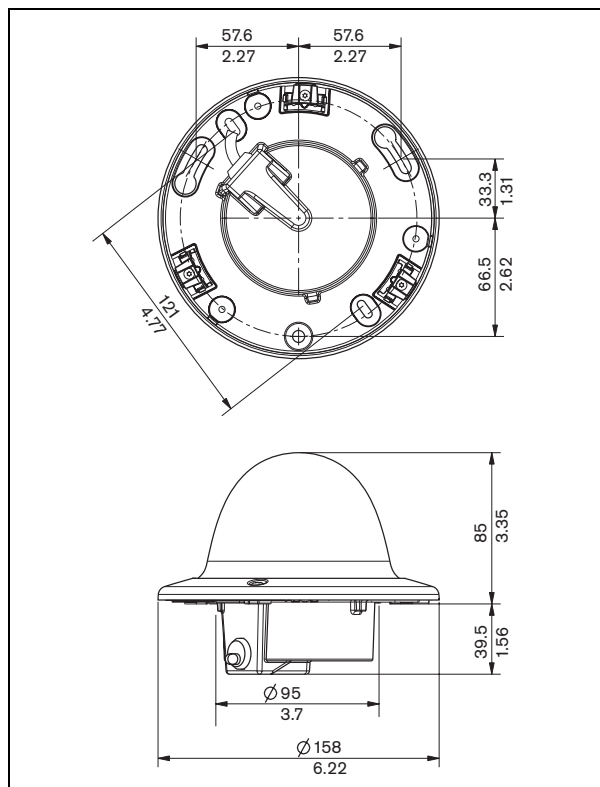
## Caractéristiques techniques

Référence	VDC-455V0x-10	VDC-455V0x-20	VDC-355V0x-10	VDC-355V0x-20
Standard	PAL	NTSC	CCIR	EIA
Pixels actifs	752 x 582	768 x 492	752 x 582	768 x 492
Éclairage minimum	< 1,0 lux < 0,4 lux (NightSense activé)		< 0,2 lux	
Définition	540 lignes		570 lignes	
Tension d'alimentation nominale	24 Vca ou 12 Vcc 12-28 Vca (50/60 Hz) 11-36 Vcc			

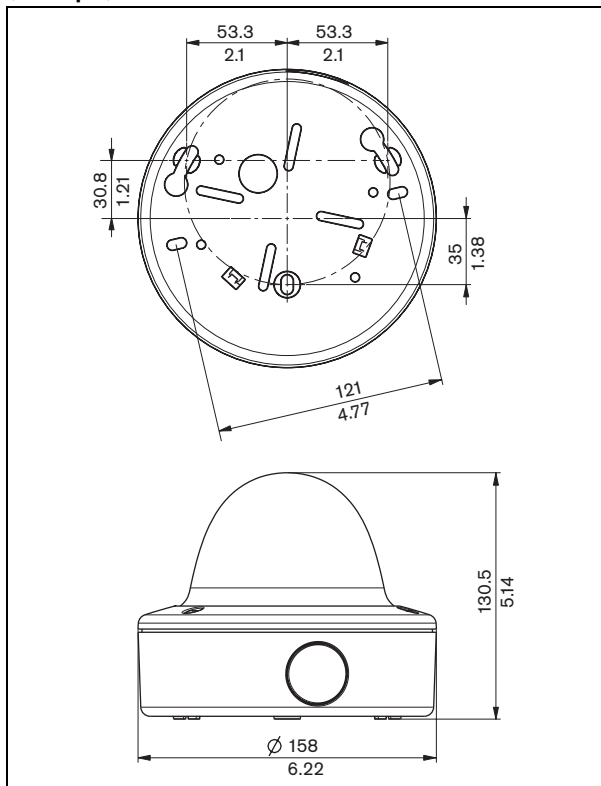
### Toutes versions confondues

Capteur	CCD à transfert d'interligne
Rapport signal/bruit	> 50 dB
Sortie vidéo	1 Vcàc, 75 ohms
Synchronisation	Interne ou synchronisation secteur
Shutter	Obturation automatique [1/60 (1/50) à 1/100 000], mode anti-scintillement
Auto Black	Activation ou désactivation
Contrôle automatique de gain (AGC)	Activation (20 dB) ou désactivation
Contour	Optimisation de la netteté
Compensation de contre-jour (BLC)	Activation ou désactivation
Balance des blancs*	Automatique 2 500 - 9 000 K (en mode AWB HOLD)
Objectif	Varifocale DC iris
Consommation	< 5 W
Dimensions	58 x 66 x 122 mm (H x l x L)
Poids	550 g
Température de fonctionnement	-30 °C à 50 °C (-50 °C avec système de chauffage défini sur AUTO)
Commandes	Menus OSD via les touches de la caméra

## Dimensions (mm/pouces)



## Dimensions avec boîtier de montage en saillie (mm/po)



## Accessoires

### Blocs d'alimentation

- TC1334 120 Vca, 60 Hz - 24 Vca, 30 VA
- TC120PS 120 Vca, 60 Hz - 15 Vcc, 9 VA
- TC220PSX-24 220-240 Vca, 50/60 Hz - 24 Vca, 30 VA
- TC220PS 220-240 Vca, 50/60 Hz - 15 Vcc, 9 VA

### Interface

- VP-CFGSFT Logiciel et interface USB de communication Bilinx<sup>TM</sup>





## SICHERHEITSHINWEISE



### Gefahr

Das Blitzsymbol in einem gleichseitigen Dreieck soll den Benutzer auf nicht isolierte „gefährliche Spannung“ im Gehäuse aufmerksam machen, die eventuell stark genug ist, um gesundheitliche Schäden zu verursachen.



### Warnung

Das Ausrufezeichen in einem gleichseitigen Dreieck soll den Benutzer auf wichtige Anweisungen für die Bedienung und Instandhaltung (Wartung) in den begleitenden Unterlagen aufmerksam machen.



### Vorsicht

Zur Vermeidung von Stromschlägen die Abdeckung (oder Rückseite) nicht entfernen. Geräteinnenteile können vom Benutzer nicht gewartet werden. Wartungsarbeiten sind ausschließlich von qualifiziertem Wartungspersonal durchzuführen.

## Wichtige Sicherheitsmaßnahmen

1. Lesen Sie diese Anweisungen bitte sorgfältig durch.
2. Bewahren Sie die Anweisungen für die spätere Verwendung auf.
3. Beachten Sie alle Warnungen.
4. Befolgen Sie die Anweisungen.
5. Vermeiden Sie direkten Kontakt mit Wasser.
6. Reinigen Sie das Gerät nur mit einem trockenen Tuch.
7. Achten Sie darauf, dass die Ventilationsöffnungen nicht abgedeckt werden. Bei der Installation sind die Anweisungen des Herstellers zu beachten.
8. Stellen Sie das Gerät nicht in unmittelbarer Nähe von Wärmequellen wie Heizkörpern, Wärmespeichern, Öfen oder anderen Anlagen (einschließlich Verstärkern) auf, die Wärme erzeugen.

9. Beeinträchtigen Sie die Schutzfunktion des polarisierten oder geerdeten Steckers nicht durch Manipulation am Stecker. Ein polarisierter Stecker hat zwei Kontakte unterschiedlicher Breite. Ein geerdeter Stecker hat zwei Kontakte und einen dritten Erdungsanschluss. Der längere Kontakt beziehungsweise der Erdungsanschluss dienen Ihrer Sicherheit. Wenn der mitgelieferte Stecker nicht zur Steckdose am Einsatzort passt, lassen Sie sich von einem Elektriker beraten.
10. Achten Sie insbesondere im Bereich von Steckern, Steckdosen und am Geräteausgang darauf, dass nicht auf das Netzkabel getreten oder dass das Kabel nicht eingeklemmt werden kann.
11. Verwenden Sie ausschließlich vom Hersteller angegebene Verlängerungskabel und entsprechendes Zubehör.
12. Trennen Sie das Gerät vom Stromnetz, wenn ein Gewitter aufkommt oder Sie es für längere Zeit nicht benutzen möchten.
13. Wartungsarbeiten sind ausschließlich von qualifiziertem Wartungspersonal durchzuführen. Wartungsarbeiten sind notwendig, wenn die Anlage beschädigt wurde, beispielsweise bei einer Beschädigung des Netzkabels oder -steckers, wenn Flüssigkeiten oder Gegenstände in das Gerät gelangt sind, das Gerät nicht einwandfrei funktioniert oder wenn es fallengelassen wurde.
14. Die Elektroinstallation des Gebäudes muss eine Schalttafel mit einem Kontaktabstand von mindestens 3 mm zwischen den einzelnen Polen umfassen.



## Vorsicht

Das Niederspannungs-Netzteil muss EN/UL 60950 entsprechen. Bei dem Netzteil muss es sich um eine Einheit gemäß SELV-LPS oder SELV – Class 2 (Safety Extra Low Voltage - Limited Power Source) handeln.



## FCC-Informationen

Dieses Gerät wurde getestet und entspricht den Beschränkungen für ein digitales Gerät der Klasse B entsprechend Abschnitt 15 der FCC-Bestimmungen. Diese Beschränkungen sollen angemessenen Schutz gegen schädliche Störungen beim Betrieb in einem Wohngebiet gewährleisten. Dieses Gerät erzeugt und verwendet Funkwellen und kann diese ausstrahlen. Bei unsachgemäßer Installation und Verwendung kann es andere Funkkommunikation stören. Mögliche Störungen in speziellen Installationen können jedoch nicht ausgeschlossen werden. Sollte das Gerät die Funkkommunikation von Radios oder Fernsehgeräten stören, was durch Aus- und Einschalten des Geräts überprüft werden kann, sollte der Benutzer die Störungen anhand einer der folgenden Vorgehensweisen beheben:

- Richten Sie die Empfangsantenne neu aus bzw. stellen Sie sie um.
- Erhöhen Sie den Abstand zwischen Gerät und Empfänger.
- Schließen Sie das Gerät an eine Steckdose an, die nicht vom Empfänger verwendet wird.
- Bitten Sie ggf. den Händler oder einen erfahrenen Radio- und Fernstechniker bzw. Informationselektroniker um Hilfe.

### Hinweis

Durch Änderungen oder Modifikationen des Geräts, die nicht ausdrücklich von Bosch genehmigt wurden, kann die Benutzerautorisierung für den Betrieb des Geräts erlöschen. Um weitere Informationen zu erhalten bzw. persönlichen Kontakt zu einem Vertreter aufzunehmen, wenden Sie sich bitte an die Bosch Security Systems Niederlassung in Ihrer Nähe oder besuchen unsere Website unter [www.boschsecuritysystems.com](http://www.boschsecuritysystems.com).

## Einführung

Die FlexiDome<sup>XT+</sup> Kamera ist eine kleine, diskrete Überwachungskuppel für höchste Sicherheit, die eine hoch leistungsfähige 1/3-Zoll-CCD-Kamera mit integriertem Varifokalobjektiv umfasst. Die Kuppelkamera kann an einem Schaltkasten, einer Wand oder der Decke montiert werden. Die robuste Bauweise und hohe Stoßfestigkeit der Polykarbonat-Kuppel schützen das Kameramodul vor Schäden.

Die integrierte moderne digitale Signalverarbeitung sorgt für herausragende Bildqualität bei allen Lichtverhältnissen. Wegen ihrer unkomplizierten Installation und Verwendung stellt die FlexiDome<sup>XT+</sup> Kamera auch für problematische Aufnahmesituationen die optimale Lösung dar.

Sie bietet u. a. folgende Funktionen:

- Schlagfeste Kuppel
- Sabotagesicheres Gehäuse
- NightSense™
- Unterstützung bei der Brennpunktjustierung
- Bilinx™ bidirektionale Koaxialkommunikation

Die FlexiDome<sup>XT+</sup> Kamera ist als Farb- und Schwarzweißmodell erhältlich.

## Überblick – Typennummer

FlexiDome<sup>XT+</sup> Schwarzweiß

Typennummer	VDM-355V03-10	VDM-355V04-10	VDM-355V03-20	VDM-355V04-20
Objektiv	Varifokal 2,6-6 mm F1.4-360	Varifokal 3,7-12 mm F1.6-360	Varifokal 2,6-6 mm F1.4-360	Varifokal 3,7-12 mm F1.6-360
Standard	CCIR		EIA	
Betriebsspannung	24 VAC, 50 Hz oder 12 VDC		24 VAC, 60 Hz oder 12 VDC	
CCD-Typ	1/3 Zoll			

FlexiDome<sup>XT+</sup> Farbe

Typennummer	VDC-455V03-10	VDC-455V04-10	VDC-455V03-20	VDC-455V04-20
Objektiv	Varifokal 2,6-6 mm F1.4-360	Varifokal 3,7-12 mm F1.6-360	Varifokal 2,6-6 mm F1.4-360	Varifokal 3,7-12 mm F1.6-360
Standard	Farbe PAL		Farbe NTSC	
Betriebsspannung	24 VAC, 50 Hz oder 12 VDC		24 VAC, 60 Hz oder 12 VDC	
CCD-Format	1/3 Zoll			

## Auspacken

Packen Sie den Inhalt vorsichtig aus, und handhaben Sie das Gerät mit äußerster Sorgfalt. Verpackungsinhalt:

- Integrierte FlexiDome Kamera
- Befestigungsteile
- Spezialschraubendreher für sabotagesichere Schrauben
- Objektivjustierkappe
- Installationshandbuch

### Hinweis

Falls das Gerät während des Transports beschädigt wurde, verpacken Sie es wieder in der Originalverpackung, und benachrichtigen Sie den Lieferdienst bzw. Lieferanten.

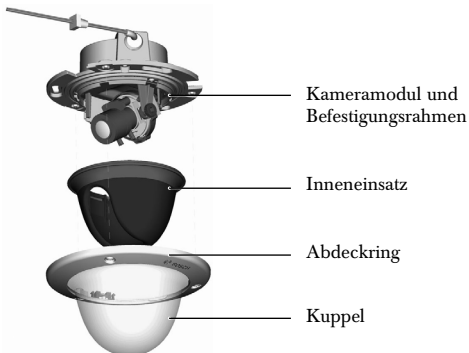


## Vorsicht

Die Installation darf nur von qualifiziertem Kundendienstpersonal gemäß jeweils zutreffenden Elektrovorschriften ausgeführt werden.

## Demontage

Die Kamera/Gehäuse-Einheit besteht aus den folgenden Teilen:



## Vorsicht

Das Kameramodul ist ein empfindliches Gerät und muss mit äußerster Sorgfalt gehandhabt werden. Lassen Sie das Gerät bei der Demontage nicht fallen.

Gehen Sie bei der Demontage folgendermaßen vor:

- Lösen Sie mit Hilfe des Spezialschraubendrehers die drei sabotagesicheren Schrauben am Abdeckring (ohne die Schrauben vollständig herauszudrehen).
- Nehmen Sie den Abdeckring samt Kuppel ab, indem Sie ihn vom Befestigungsrahmen abziehen.
- Ziehen Sie den Inneneinsatz vom Befestigungsrahmen ab.

## Montage

Das Gerät kann je nach Montagefläche auf unterschiedliche Art und Weise befestigt werden – abhängig davon, ob ein Schaltkasten verwendet wird oder der Anschluss über die Rückseite oder die Geräteseite erfolgt (Aufputz-Montage).



### Vorsicht

Die Installation darf nur von qualifiziertem Kundendienstpersonal gemäß jeweils zutreffenden Elektrovorschriften ausgeführt werden.

Verwenden Sie bei Aufputz-Montage den separat erhältlichen erhöhten Befestigungsrahmen (VDA-455SMB) zur Montage des Geräts.

#### Tipps

- Die exakte Position der Schraubenbohrungen und der Bohrung für die Kabelzuführung können Sie der Maßzeichnung entnehmen.
- Drehen Sie zwei der Schrauben zur provisorischen Befestigung teilweise ein, während Sie die elektrischen Anschlüsse vornehmen.

In den folgenden Abbildungen werden die unterschiedlichen Befestigungsmöglichkeiten der Kamera dargestellt.

Abbildung 1 Rückseitiger Anschluss – hohle Montagefläche

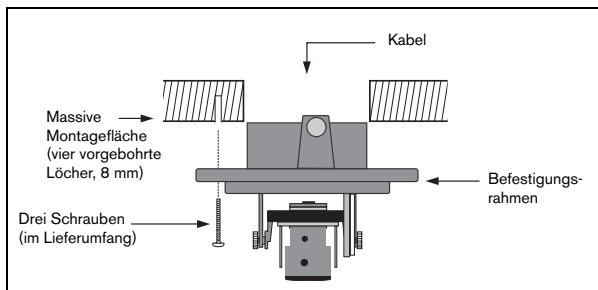


Abbildung 2 Anschluss an einen Schaltkasten (S4)

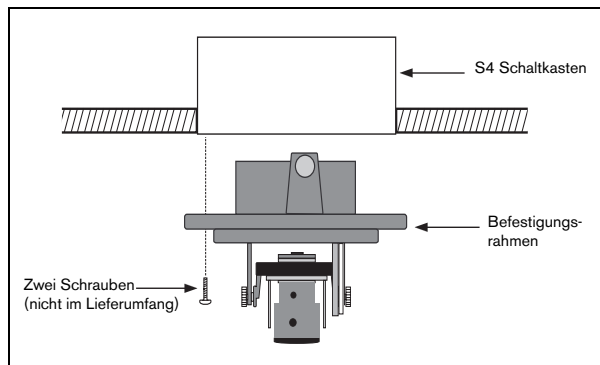


Abbildung 3 Aufputz-Montage – seitlicher Anschluss

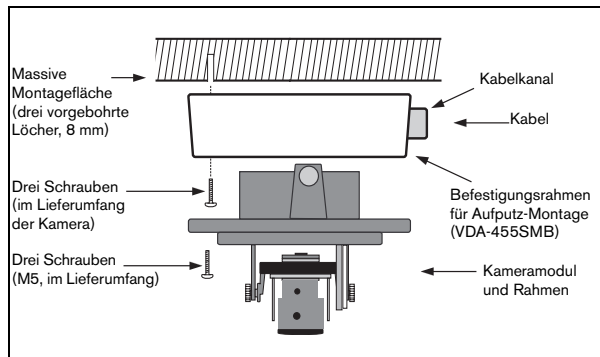
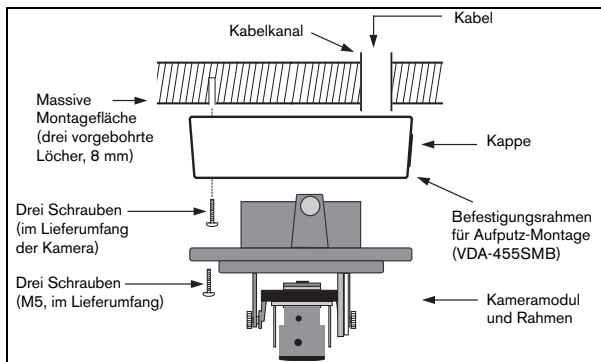


Abbildung 4 Aufputz-Montage – rückseitiger Anschluss



### Aufputz-Montage

Bei Verwendung des Befestigungsrahmens für die Aufputz-Montage gehen Sie folgendermaßen vor:

- Bei seitlichem Anschluss nehmen Sie die Schutzkappe von der seitlichen Öffnung ab. Bei rückseitigem Anschluss belassen Sie die Schutzkappe auf der seitlichen Öffnung.
- Befestigen Sie den Kabelkanal am Befestigungsrahmen.
- Lösen Sie die zwei Clips auf der Unterseite des wasserdichten Anschlussfachs, und nehmen Sie es vom Befestigungsrahmen ab.
- Öffnen Sie die Abdeckung des wasserdichten Fachs im Befestigungsrahmen, indem Sie die 5 Clips lösen.
- Führen Sie das Strom- und Videokabel durch separate Gummidichtscheiben in das wasserdichte Anschlussfach.
- Führen Sie das Kamerakabel durch die mitgelieferte Gummidichtscheibe in das wasserdichte Anschlussfach.
- Nehmen Sie die Anschlüsse im wasserdichten Anschlussfach vor. Befestigen Sie die Abdeckung wieder mit Hilfe der Clips, um die Dichtigkeit des Fachs wiederherzustellen.

### Hinweis

Um eine wasserdichte Kabelzuführung zu erzielen, verwenden Sie für den Strom- und Videoanschluss runde Kabel mit einem Durchmesser von 5 bis 6 mm. Wenn Sie etwas Silikonspray auf die Kabel aufsprühen, lassen sich die Gummidichtscheiben leichter über die Kabel führen.

## Anschluss im Außenbereich

### Sicherheitshinweise:

**Koax-Erdung:** Wenn ein Kabelsystem für den Außengebrauch mit dem Gerät verbunden wird, muss das Kabelsystem geerdet sein.

In den USA erhältliche Modelle – Abschnitt 810 des National Electrical Code, ANSI/NFPA No.70, enthält Informationen zur ordnungsgemäßen Erdung der Halterung, zur Koax-Erdung an einem Entladegerät, zur Größe von Erdungsleitern, zum Standort des Entladegeräts, zur Verbindung mit Entladungselektroden und zu Anforderungen bezüglich der Entladungselektroden.

**Stromleitungen:** Ein System für den Außengebrauch darf nicht in der Nähe von Überlandleitungen, elektrischen Leitungen und Stromkreisen verwendet werden, wo es mit diesen Leitungen oder Stromkreisen in Berührung kommen kann. Bei der Installation eines Systems für den Außengebrauch dürfen Sie keinesfalls mit solchen Stromleitungen oder -kreisen in Kontakt kommen, da dieser Kontakt tödlich sein kann. In den USA erhältliche Modelle – Befolgen Sie die Vorschriften des National Electrical Code Article 820 für die Installation von CATV-Systemen.

**Stromquelle mit 24 VAC:** Dieses Gerät ist für den Betrieb mit einer Stromquelle mit eingeschränkter Leistung ausgelegt. Diese Stromquelle muss der Norm EN60950 entsprechen. Für Geräte, die bei 24 VAC betrieben werden, beträgt die normale Eingangsspannung zwischen 12 VAC und 28 VAC. Die Eingangsspannung am Gerät darf 28 VAC nicht überschreiten. Die vom Kunden bereitgestellte Verkabelung von der Stromquelle (24 VAC) zum Gerät hat den elektrischen Codes (Klasse 2 Leistungsstufen) zu entsprechen. Die Stromquelle (24 VAC) darf nicht an den Anschlüssen bzw. an den Stromversorgungsanschlüssen am Gerät geerdet werden.



**Anschluss:** Das Gerät verfügt über Anschlusseingänge an freien Kabelenden. Bei Montage an feuchten Orten oder im Außenbereich verwenden Sie das VDA-455SMB Zubehör oder eine Kabeldose für den Feldeinsatz mit Schutzklasse Nema 3, IP 55 oder höher. Nehmen Sie die Anschlüsse im wasserdichten Anschlussfach vor. Achten Sie nach dem Anschließen darauf, dass das wasserdichte Anschlussfach fest verschlossen wird sowie die Kabel und Kabelkanäle korrekt abgedichtet sind, damit kein Wasser eindringen kann.



VDA-455SMB

# Anschluss und Einrichtung

## Strom- und Videoanschlüsse

Der Kabelbaum verfügt über einen BNC-Anschluss für ein Videokoaxialkabel (mit BNC-Stecker) und zwei abisolierte Niederspannungsdrähte zum Anschließen an einen Stromanschluss. (Ein UTP-Adapter ist als Zubehör erhältlich, um den Anschluss eines UTP-Videokabels an den BNC-Stecker zu ermöglichen.)



### Vorsicht

Bevor Sie fortfahren, sollten Sie überprüfen, dass an dem Kabel, das am Gerät angeschlossen werden soll, kein Strom anliegt. Achten Sie darauf, dass das Gerät für die zu verwendende Spannung geeignet ist.

So schließen Sie die Niederspannungsleitungen und Videoanschlüsse am einfachsten an:

- Schieben Sie die Gebäudeanschlüsse durch die für die Kabel vorgesehene Bohrung der Montagefläche, ohne sie zu fixieren.
- Drehen Sie zwei Schrauben teilweise in die vorgebohrten Löcher ein.
- Befestigen Sie den Befestigungsrahmen mit Hilfe der Hauptbohrungen provisorisch mit einer Schraube, und kippen Sie den Rahmen leicht, um freien Zugang zu den Kabelanschlüssen zu erhalten.
- Verbinden Sie den BNC-Stecker des Kameramoduls mit dem Videokoaxialkabel.
- Schließen Sie die abisolierten Spannungsdrähte am Stromstecker an.

### Hinweis

Bei Gleichstrom spielt die Polarität keine Rolle. Liegt Wechselstrom an, sollten Sie auf eine konsistente Verkabelungspolarität in Systemen mit mehreren Kameras achten, um Probleme beim Umschalten zwischen den Kameras zu vermeiden.

- Stellen Sie in feuchten Umgebungen sicher, dass die Anschlüsse ausreichend abgedichtet sind. (Der Befestigungsrahmen für die Aufputz-Montage verfügt zu diesem Zweck über ein wasserdichtes Anschlussfach.)
- Schieben Sie die Anschlüsse durch die für die Kabel vorgesehene Bohrung der Montagefläche zurück.
- Befestigen Sie den Rahmen mit den drei Schrauben an der Montagefläche.

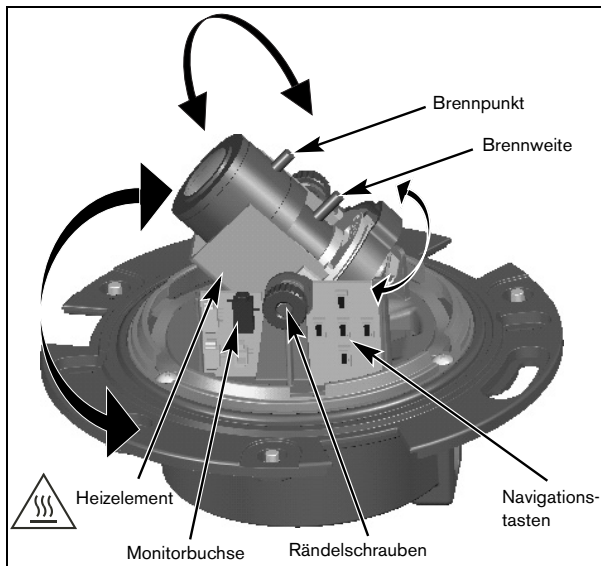
## Einrichtung der Kamera



### Warnung: Heiße Fläche

Das Heizelement wird während des Betriebs HEISS – NICHT BERÜHREN. Schalten Sie bei Arbeiten an der Kamera das Heizelement immer AUS. Anweisungen finden Sie im Menü Installer (siehe Menüstruktur).

Sie können einen Monitor an der 2,5 mm-Minibuchse der Platine anschließen, um die Kamera einzurichten. Diese Buchse erzeugt ein Composite Video-Signal (mit Sync). Die Verbindung kann über ein optional erhältliches Kabel (Codenummer S1460) hergestellt werden.



## Kamerapositionierung

Bei der Standardposition der Kamera ist das obere Ende des Bildes an der Anzeige TOP ausgerichtet.



### Vorsicht

Die CCD-Bildsensoren sind besonders empfindlich und sollten mit äußerster Sorgfalt gehandhabt werden, um eine hohe Leistungsfähigkeit und längere Lebensdauer zu erzielen. Setzen Sie sie sowohl bei Betrieb als auch bei Nichtverwendung nicht direktem Sonnenlicht oder hellem Scheinwerferlicht aus. Vermeiden Sie helles Licht im Blickfeld der Kamera.

Die Position des Kameramoduls kann entlang dreier Achsen eingestellt werden. Achten Sie bei der Einstellung der Kameraposition darauf, dass die Bildanzeige auf dem Monitor nicht schief ist. Stellen Sie die gewünschte Kameraposition anhand der folgenden Schritte ein:

- Bei horizontaler Justierung (Schwenken) drehen Sie das Kameramodul im Rahmen. Drehen Sie das Modul nicht weiter als 360°.
- Bei vertikaler Justierung (Neigen) lösen Sie die Rändelschrauben, positionieren die Kamera, und ziehen Sie anschließend die Rändelschrauben zum Befestigen der Kamera wieder an.
- Zur Erzielung eines waagerechten Horizonts (bei Deckenschräge oder seitlicher Wandmontage) drehen Sie die Objektivunterlage entsprechend, bis das auf dem Monitor angezeigte Bild exakt ausgerichtet ist. Drehen Sie die Unterlage nicht weiter als 340°.

## Brennweite und Brennpunkt

Setzen Sie vor der Justierung die Justierkappe auf das Objektiv, damit die Bildschärfe der Bildschärfe bei angebrachter Kuppel entspricht.

- Um das Sichtfeld des Varifokalobjektivs einzustellen, lösen Sie die Schraube für die Brennweite und drehen den Mechanismus, bis das gewünschte Sichtfeld auf dem Monitor angezeigt wird. (Bild wird unscharf.)
- Fokussieren Sie das Bild auf dem Monitor, indem Sie die Brennpunktschraube lösen und den Mechanismus drehen, bis der Bildbrennpunkt exakt eingestellt ist.

- Justieren Sie ggf. die Brennweite erneut.
- Wiederholen Sie die beiden Justierschritte, bis die gewünschte Ansicht eingestellt ist.
- Ziehen Sie die beiden Schrauben an.

Nehmen Sie die Justierkappe vom Objektiv und der Monitorbuchse ab.

## Heizelement

Wenn Sie die Kamera bei niedrigen Temperaturen verwenden, stellen Sie im Menü Installer die Option Heater auf "Auto" (siehe Menüstruktur).

## Schließen des Geräts

Wenn die Kameraposition eingestellt und alle Justierungen vorgenommen wurden, schließen Sie das Gerät.

- Setzen Sie den Inneneinsatz an die korrekte Position, indem Sie die Wulst am Bügel des Rahmens ausrichten.
- Setzen Sie die Kuppel auf den Rahmen, und drehen Sie sie, bis sie einrastet. (Reinigen Sie die Außenseite ggf. mit einem weichen Tuch.)
- Setzen Sie den Dichtring auf, und positionieren Sie anschließend den Abdeckring über der Kuppel.
- Richten Sie die sabotagesicheren Schrauben im Abdeckring an den Einschraubbohrungen im Befestigungsrahmen aus.
- Ziehen Sie die sabotagesicheren Schrauben mit Hilfe des im Lieferumfang enthaltenen Spezialschraubendrehers fest.

## Erweiterte Einrichtung

Normalerweise bietet die FlexiDome<sup>XT+</sup> ohne weitere Einrichtung eine optimale Bildqualität. Unter außergewöhnlichen Einsatzbedingungen bietet die erweiterte Einrichtung jedoch zusätzliche Optimierungsmöglichkeiten. Es gibt zwei Hauptmenüs: das Menü **Main** und das Menü **Installer**.

Über das Menü **Main** können Sie die Bildoptimierungsfunktionen für die einzelnen Betriebsarten auswählen und einrichten. Falls Sie mit Ihren Änderungen nicht zufrieden sind, können Sie jederzeit die Standardeinstellungen für die jeweilige Betriebsart wiederherstellen.

Über das Menü **Installer** können Sie die Installationseinstellungen anpassen.

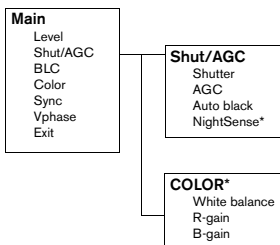
Die Menüs **Main** und **Installer** umfassen Funktionen, die Sie direkt auswählen können, sowie Untermenüs mit weiteren Funktionen für eine detailliertere Einrichtung.

## Aufrufen und Verwenden von Menüs

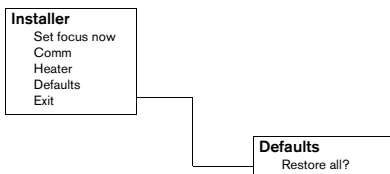
Fünf Tasten dienen zur Navigation durch die Menüstruktur. Um die Einrichtungsmenüs aufzurufen, drücken Sie die Menü-/Auswahltaste (Mitte). Auf dem Bildschirm wird das Hauptmenü angezeigt. Verwenden Sie die Pfeiltasten, um die Markierung durch die Menüstruktur zu bewegen.

Wenn die Bilinx<sup>TM</sup>-Kommunikationsverbindung aktiv ist, sind die Tasten deaktiviert. Sie können Bilinx<sup>TM</sup> auch so einrichten, dass die Tasten auch dann deaktiviert sind, wenn keine aktive Bilinx<sup>TM</sup>-Verbindung besteht. Dadurch können Sie verhindern, dass Unbefugte die Kameraeinstellungen ändern.

## Menüstruktur

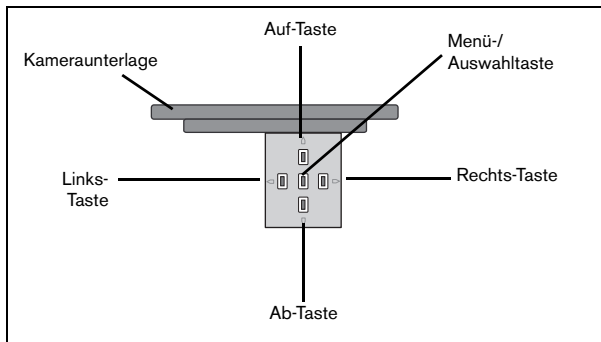


\* Nur bei dem Farbmodell der Kamera.



## Hinweise zur Menünavigation

### So verwenden Sie die fünf Tasten



- Drücken Sie die Menü-/Auswahltaste, um die Menüs aufzurufen und zwischen den einzelnen Menüs zu wechseln.
- Drücken Sie die Menü-/Auswahltaste etwa 1,5 Sekunden lang, um das Menü **Installer** aufzurufen.
- Verwenden Sie die Auf- und Ab-Pfeiltasten, um die Markierung in einem Menü nach oben bzw. nach unten zu bewegen.
- Verwenden Sie die Links- und Rechts-Pfeiltasten, um einzelne Optionen auszuwählen und Parameter einzustellen.
- Wenn Sie in einem Menü zweimal schnell hintereinander die Menü-/Auswahltaste drücken, wird die ausgewählte Option auf die Standardeinstellung zurückgesetzt.
- Um von einem beliebigen Menü aus sämtliche Menüs zu schließen, wählen Sie die Option **Exit** aus, und halten Sie die Menü-/Auswahltaste gedrückt, bis die Menüanzeige ausgeblendet wird.



## Menü Main

Funktion	Auswahl	Beschreibung
LEVEL	-15 - 0 - +15	Anpassen des Videoausgangspegels.
SHUT/AGC	Untermenü	Aufrufen des Menüs zur Steuerung von Shutter / automatischer Verstärkung.
BLC	ON, OFF	ON: Der Videopegel wird für die Bildmitte optimiert. Die übrigen Bildbereiche können über- oder unterbelichtet sein (dies ist normal).
COLOR*	ATW ATB HOLD Untermenü	Aufrufen des Menüs Color.
SYNC	LINE LOCK INTERNAL	Auswählen von LINE LOCK zum Synchronisieren mit der Versorgungsstromfrequenz. Auswählen von INTERNAL für den Einsatz mit interner Synchronisierung (bei Gleichstrom automatisch ausgewählt).
VPHASE	0, 2, ... 358°	Anpassen des vertikalen Phasen-Offsets (im Modus LINE LOCK, wenn eine gültige Netzversorgungsfrequenz festgestellt wurde).
EXIT		Beenden des Menüs.

\* Nur bei dem Farbmodell der Kamera. Wenn sich eine Farbkamera im Schwarzweißmodus befindet, sind keine farbbezogenen Menüoptionen verfügbar.

## Untermenü Shut/AGC

Funktion	Auswahl	Beschreibung
SHUTTER	AES, FL	<ul style="list-style-type: none"> <li>•AES - Auto-Shutter - Die Kamera legt automatisch die optimale Shutter-Geschwindigkeit fest.</li> <li>•FL - Flimmerfrei - Vermeidet Beeinträchtigung durch externe Lichtquellen (nur zur Verwendung mit Objektiven mit Video- oder DC-Blenden empfohlen).</li> </ul>
AGC	ON/OFF	Automatische Verstärkungsregelung.
AUTOBLACK	ON/OFF	Auto Black verbessert automatisch die Detaildarstellung.

NIGHTSENSE*	AUTO FORCED OFF	Nightsense™ steigert die Kameraempfindlichkeit bei schlechten Lichtverhältnissen. <ul style="list-style-type: none"> <li>• Im Modus AUTO nähert sich die Kamera bei abnehmendem Licht automatisch Monochrombetrieb an.</li> <li>• Im Modus FORCED bleibt die Kamera stets im hochempfindlichen Monochrombereich.</li> </ul>
EXIT		Beenden des Menüs.

\* Nur bei dem Farbmodell der Kamera.

### Hinweis

Ist NightSense™ aktiv, kann das Bild durch Flecken oder Rauschen beeinträchtigt werden. Dieses Kameraverhalten ist normal.

Wenn sich eine Farbkamera im Schwarzweißmodus befindet, sind keine farbbezogenen Menüoptionen verfügbar.

### Untermenü Color\*

Funktion	Auswahl	Beschreibung
WHITE BALANCE	ATW AWB HOLD	<ul style="list-style-type: none"> <li>• ATW: Die Kamera passt den Weißabgleich laufend für optimale Farbwiedergabe an.</li> <li>• AWB HOLD: ATW wird angehalten und die aktuellen Farbeinstellungen werden gespeichert.</li> </ul>
RED gain**	-5 - 0 - +5	Offset der werksmäßigen Einstellung der Farbdarstellung (mehr Cyan durch die Reduzierung von Rot).
BLUE gain**	-5 - 0 - +5	Offset der werksmäßigen Einstellung der Farbdarstellung (mehr Gelb durch die Reduzierung von Blau).
EXIT		Beenden des Menüs.

\* Nur bei dem Farbmodell der Kamera.

\*\* Die Änderung des Offsets der Farbdarstellung ist nur für spezielle Aufnahmesituationen erforderlich.

## Installationseinstellungen

### Menü Installer

Funktion	Auswahl	Beschreibung
SET FOCUS NOW		Das Objektiv wird gezwungen, die Blende vollständig zu öffnen. Sofortiges Justieren des Brennpunktes.
COMM	ON, OFF	Bilinx-Kommunikation ON/OFF.
HEATER	AUTO, OFF	Auswählen von AUTO zum Aktivieren des thermostatisch gesteuerten Heizelements.
DEFAULTS	Untermenü	Zurücksetzen sämtlicher Einstellungen auf die Werksvorgaben.
EXIT		Beenden des Menüs.

Justierverfahren – DC-Blende:

1. Lösen Sie die Feststellschraube für den Brennpunkt.
2. Die Option zum Einstellen des Auflagemaßes SET BACK FOCUS NOW ist im Menü hervorgehoben.
3. Nehmen Sie die Brennpunktjustierung durch Drehen des Mechanismus nach Bedarf vor.
4. Ziehen Sie die Feststellschraube für den Brennpunkt fest.
5. Beenden Sie das Menü.

### Untermenü Defaults

Funktion	Auswahl	Beschreibung
ALL DEFAULTS		Zurücksetzen sämtlicher Einstellungen auf die Werksvorgaben. Es wird eine Bestätigungsmeldung angezeigt. Warten Sie nach dem Zurücksetzen etwa fünf Sekunden, bis die Kamera das Bild optimiert hat.
EXIT		Beenden des Menüs.

### Kamerasteuerungskommunikation

Diese Kamera ist mit einem Koaxial-Transceiver ausgestattet. In Verbindung mit VP-CFGSFT kann die Kamera vom Kopfende des Koaxialkabels eingestellt werden. Sämtliche Menüs sind über Fernzugriff verfügbar, was eine umfassende Fernsteuerung der Kamera ermöglicht. Darüber hinaus ist es möglich, die lokalen Tasten an der Kamera zu deaktivieren. Um zu verhindern, dass die Verbindung zur Kamera abbricht, ist die Option COMM – ON/OFF bei Einsatz der Fernsteuerung **nicht** verfügbar. Der Zugriff auf diese Option ist ausschließlich über die Kameratasten möglich.

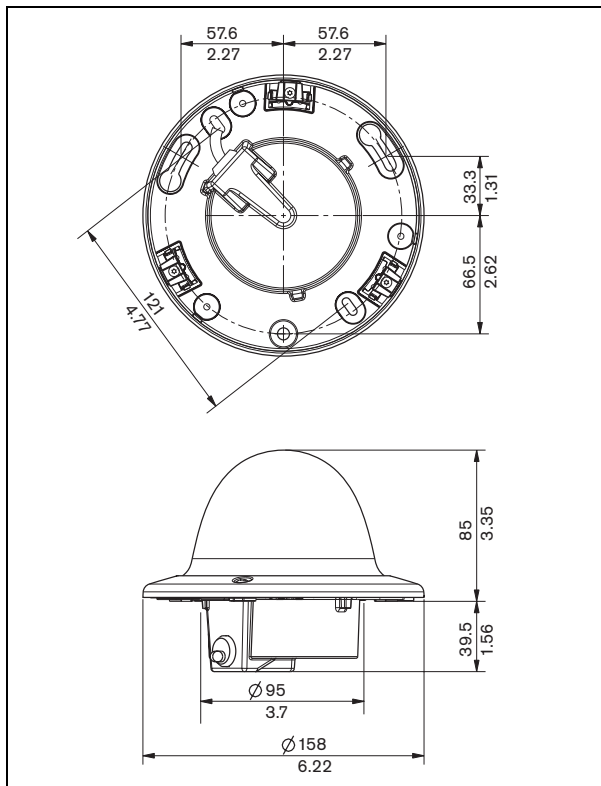
## Technische Daten

Typennummer	VDC-455V0x-10	VDC-455V0x-20	VDC-355V0x-10	VDC-355V0x-20
Standard	PAL	NTSC	CCIR	EIA
Aktive Pixel	752 x 582	768 x 492	752 x 582	768 x 492
Mindestbeleuchtung	< 1,0 Lux < 0,4 Lux (NightSense aktiviert)		< 0,2 Lux	
Auflösung	540 TVL		570 TVL	
Versorgungsnennspannung	24 VAC oder 12 VDC 12 - 28 VAC (50/60 Hz) 11 - 36 VDC			

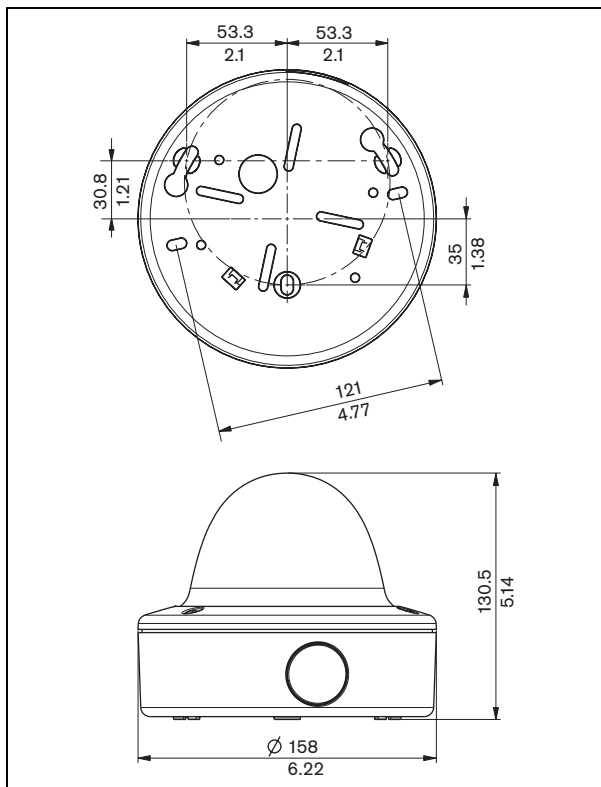
### Alle Modelle

Bildwandler	Interline-CCD
SNR	> 50 dB
Video-Ausgang	1 Vss, 75 Ohm
Synchronisierung	Wählbar: Interne oder Zeilensynchronisierung
Shutter	Wählbar: AES (1/60 (1/50) bis 1/100000), flimmerfrei
Auto Black	Wählbar: Ein, Aus
AGC	Wählbar: AGC Ein (20 dB) oder Aus
Kontur	Optimierung der Bildschärfe
BLC	Wählbar: BLC Ein oder Aus
Weißabgleich*	Automatisch: 2500 - 9000K (mit Haltemodus)
Objektiv	Integriertes Varifokalobjektiv mit DC-Blende
Leistungsaufnahme	< 5 W
Abmessungen	58 x 66 x 122 mm (H x B x L)
Gewicht	550 g
Betriebstemperatur	-30 bis 50 °C (-50 °C bei aktivierter Option Heater – AUTO)
Bedienelemente	OSD (On-Screen Display) mit Menüführung

## Abmessungen (mm/Zoll)



## Abmessungen mit Befestigungsrahmen für Aufputz-Montage (mm/Zoll)



## Zubehör

### Netzteile

- TC1334 120 VAC, 60 Hz - 24 VAC, 30 VA
- TC120PS 120 VAC, 60 Hz - 15 VDC, 9 VA
- TC220PSX-24 220-240 VAC, 50/60 Hz - 24 VAC, 30 VA
- TC220PS 220-240 VAC, 50/60 Hz - 15 VDC, 9 VA

### Interface-Box:

- VP-CFGSFT Bilinx<sup>TM</sup> Kommunikations-Interface-Box und -Software





## PRECAUCIONES DE SEGURIDAD



### Peligro

El símbolo de un rayo con punta de flecha dentro de un triángulo equilátero aparece para alertar al usuario de que existen puntos de tensión peligrosos sin aislamiento dentro de la carcasa de la unidad. La tensión de dichos puntos puede ser lo suficientemente alta como para representar un riesgo para las personas.



### Aviso

El signo de exclamación dentro de un triángulo equilátero aparece para alertar al usuario de que existen instrucciones de funcionamiento y mantenimiento (reparación) importantes que acompañan a la unidad.



### Precaución

Para disminuir el riesgo de descarga eléctrica, no extraiga la cubierta (ni la parte posterior). No hay piezas sustituibles por el usuario en el interior. Las reparaciones debe realizarlas personal cualificado.

## Medidas importantes de seguridad

1. Lea estas instrucciones.
2. Guarde estas instrucciones.
3. Preste atención a todos los avisos.
4. Siga todas las instrucciones.
5. No utilice este equipo cerca del agua.
6. Límpielo sólo con un paño seco.
7. No obstruya las aberturas de ventilación. Este equipo se debe instalar de acuerdo con las instrucciones del fabricante.
8. No se debe instalar cerca de fuentes de calor como radiadores, salidas de calor, estufas u otros equipos (incluidos amplificadores) que produzcan calor.

9. No contravenga el objetivo de seguridad del enchufe polarizado o provisto de toma de tierra. Un enchufe polarizado dispone de dos hojas, una más ancha que la otra. Un enchufe con toma de tierra dispone de dos hojas, además de una tercera patilla de toma de tierra. La hoja ancha y la tercera patilla cumplen una función de seguridad. Si el enchufe suministrado no encaja en la toma de corriente, consulte a un electricista.
10. Debe protegerse el cable de alimentación de manera que no se pise ni quede pillado por otros objetos, especialmente en los enchufes, las tomas de corriente y los puntos de salida del equipo.
11. Únicamente se deben utilizar conexiones y accesorios especificados por el fabricante.
12. Este equipo se debe desenchufar de la toma de corriente durante las tormentas eléctricas o cuando no se vaya a utilizar durante largos períodos.
13. Deje que personal cualificado lleve a cabo las reparaciones. Será necesario reparar este equipo cuando sufra cualquier tipo de dano como, por ejemplo, cuando el cable de alimentación o el enchufe estén dañados, cuando se haya derramado líquido o hayan caído objetos en el interior del equipo, si no funciona normalmente o si se ha caído.
14. Se debe incorporar un conmutador de alimentación con una separación de contacto de 3 mm como mínimo en cada poste en la instalación eléctrica del edificio.



## Precaución

La unidad de la fuente de alimentación de bajo voltaje debe cumplir con la norma EN/UL 60950. La fuente de alimentación debe ser una unidad SELV-LPS o SELV - clase 2 (Safety Extra Low Voltage - Limited Power Source, tensión baja y seguridad adicional - fuente de alimentación limitada).

## Información de FCC

Este equipo se ha probado y cumple los límites establecidos para dispositivos digitales de Clase B, de conformidad con lo dispuesto en el artículo 15 de las normas de la FCC. Estos límites se han establecido para proporcionar un nivel razonable de protección frente a las interferencias perjudiciales que pueden producirse en zonas residenciales. Este equipo genera, utiliza y puede irradiar energía de radiofrecuencia y, si no se instala y utiliza de conformidad con las instrucciones, puede causar interferencias perjudiciales para las comunicaciones por radio. Sin embargo, no se garantiza que no se produzca ninguna interferencia en una instalación determinada. Si este equipo causa interferencias perjudiciales en la recepción de radio o televisión, que detectará encendiendo y apagando el equipo, se recomienda al usuario que corrija la interferencia mediante una o más de las siguientes medidas:

- Reoriente o vuelva a colocar la antena de recepción.
- Aumente la separación entre el equipo y el receptor.
- Conecte el equipo en una toma de corriente o un circuito diferente al que conectó el receptor.
- Consulte a su distribuidor o a un técnico de radio o televisión cualificado para obtener ayuda.

### Nota

Cualquier cambio o modificación del equipo que no haya sido aprobado expresamente por Bosch podrá invalidar la autoridad del usuario para utilizar el equipo. Para obtener información adicional o hablar con un representante, póngase en contacto con la oficina de Bosch Security Systems más cercana o visite nuestro sitio Web en [www.boschsecuritysystems.es](http://www.boschsecuritysystems.es).

## Introducción

La cámara FlexiDome<sup>XT+</sup> es una burbuja de vigilancia de alta seguridad pequeña y discreta que contiene una cámara CCD con sensor de 1/3 pulgada y alto rendimiento con lentes varifocales integrales. La unidad integrada se monta en una caja de registro, en la pared o en el techo. La robusta burbuja de policarbonato a prueba de fuertes impactos protege el módulo de la cámara de posibles daños.

La cámara incorpora un sistema de procesamiento digital de señales para obtener imágenes de la mejor calidad en todas las condiciones de iluminación. La cámara FlexiDome<sup>XT+</sup> se instala fácilmente y está lista para su uso; constituye la solución ideal para obtener imágenes en lugares con condiciones adversas.

Entre sus características se incluyen:

- Burbuja a prueba de impactos
- Carcasa a prueba de manipulaciones
- NightSense™
- Ayuda para enfocar la lente
- Comunicación coaxial bidireccional Bilinx™

La cámara FlexiDome<sup>XT+</sup> está disponible en versiones color y monocromo.

## Descripción del número de modelos

FlexiDome<sup>XT+</sup> monocromo

Número de modelo	VDM-355V03-10	VDM-355V04-10	VDM-355V03-20	VDM-355V04-20
Lente	Varifocal 2,6-6 mm F1.4-360	Varifocal 3,7-12 mm F1.6-360	Varifocal 2,6-6 mm F1.4-360	Varifocal 3,7-12 mm F1.6-360
Estándar	CCIR		EIA	
Voltaje de suministro	24 Vca, 50 Hz o 12 Vcc		24 Vca, 60 Hz o 12 Vcc	
Tipo de CCD	1/3"			

FlexiDome<sup>XT+</sup> color

Número de modelo	VDC-455V03-10	VDC-455V04-10	VDC-455V03-20	VDC-455V04-20
Lente	Varifocal 2,6-6 mm F1.4-360	Varifocal 3,7-12 mm F1.6-360	Varifocal 2,6-6 mm F1.4-360	Varifocal 3,7-12 mm F1.6-360
Estándar	Color PAL		Color NTSC	
Voltaje de suministro	24 Vca, 50 Hz o 12 Vcc		24 Vca, 60 Hz o 12 Vcc	
Formato CCD	1/3"			

## Desembalaje

Desembale y maneje el equipo con cuidado. El paquete contiene:

- Cámara FlexiDome integrada
- Kit con piezas de montaje
- Un destornillador especial para tornillos a prueba de manipulaciones
- Una cubierta de ajuste de la lente
- Manual de instalación

### Nota

Si el equipo se ha dañado durante el envío, vuelva a embalarlo en el embalaje original y comuníquelo al agente de transporte o a su distribuidor.

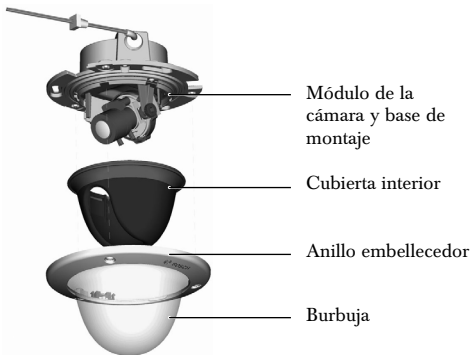


## Precaución

La instalación la debe realizar únicamente personal cualificado de conformidad con el National Electrical Code de EE.UU. o las normas aplicables en su país.

## Desmontaje

La unidad de cámara/carcasa se compone de las siguientes piezas:



## Precaución

El módulo de la cámara es un dispositivo sensible y debe manejarse con cuidado. Procure que no se le caiga cuando desmonte la unidad.

Para desmontar la unidad, realice los siguientes pasos:

- Con el destornillador especial, afloje los tres tornillos a prueba de manipulaciones que se encuentran en el anillo embellecedor (los tornillos permanecen en su lugar).
- Extraiga el anillo embellecedor con la burbuja separándolo de la base.
- Extraiga la cubierta interior separándola de la base.

## Montaje de la unidad

Puede montar la unidad de distintas maneras en función del tipo de superficie, de si va a usar una caja de registro o de la parte, trasera o lateral (montaje en superficie), en que vaya a realizar la conexión.



### Precaución

La instalación la debe realizar únicamente personal cualificado de conformidad con el National Electric Code de EE.UU. o las normas aplicables en su país.

Si va a instalar la unidad en superficie, utilice la base de montaje elevado que se adquiere por separado (VDA-455SMB) y monte la unidad en la base.

#### Sugerencias

- Consulte la ilustración de las dimensiones para localizar la posición exacta de los orificios para tornillos y el orificio de entrada para los cables.
- Atornille parcialmente dos tornillos de los orificios principales y utilícelos para colgar la cámara de manera temporal mientras se realizan las conexiones.

Las siguientes figuras muestran las diferentes maneras de montar la unidad.

Figura 1 Conexión trasera: superficie con huecos

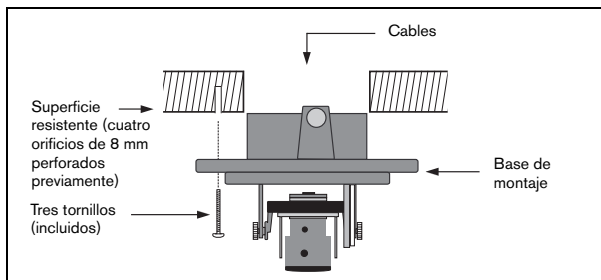


Figura 2 Conexión a una caja de registro (4S)

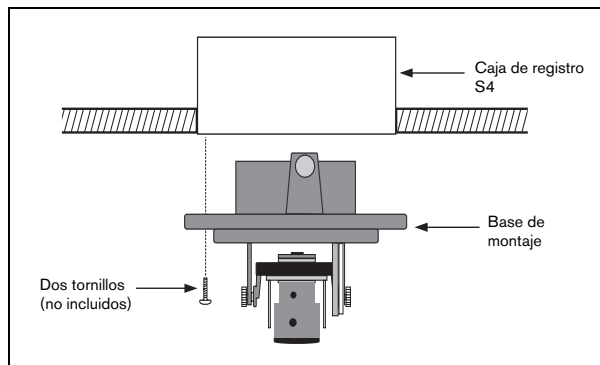


Figura 3 Montaje en superficie: conexión lateral

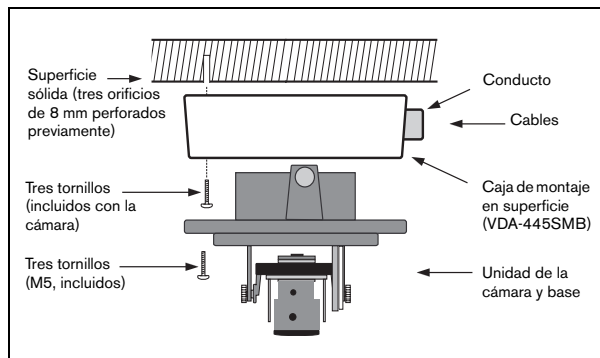
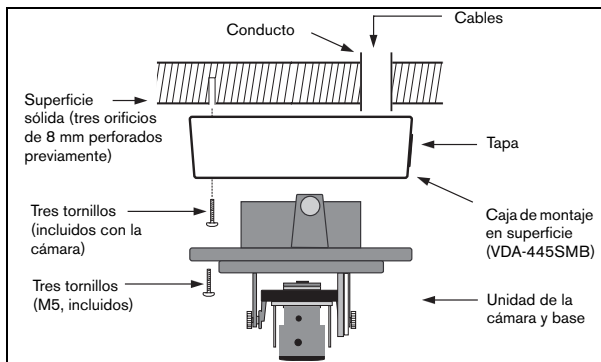




Figura 4 Montaje en superficie: conexión trasera



### Montaje en superficie

Al utilizar la caja de montaje elevado:

- Con una conexión lateral, extraiga la cubierta de la entrada lateral. Con una conexión trasera, no extraiga la cubierta.
- Una el conducto a la caja de montaje.
- Suelte los dos clips de la parte inferior del compartimento hermético de conexión para extraerlo de la caja de montaje.
- Abra la cubierta del compartimento hermético de la caja de montaje soltando los 5 clips.
- Pase los cables de alimentación y de vídeo a través de los distintos pasahilos de goma hasta llegar al compartimento hermético.
- Pase el cable de la cámara hasta el compartimento hermético a través de los pasahilos proporcionados.
- Realice la conexión dentro del compartimento hermético y enganche la cubierta para sellarla.

### Nota

Para asegurar la entrada hermética del cable, utilice cables redondos de entre 5 y 6 mm para la conexión eléctrica y del vídeo. Utilice un spray de silicona con el cable para que se deslice por los pasahilos con mayor facilidad.

## Conexión en aplicaciones de exterior

### Precauciones de seguridad:

**Conexión a tierra coaxial:** si hay un sistema de cables externo conectado a la unidad, asegúrese de que éste tiene conexión a tierra.

Solamente en modelos para EE.UU.: la sección 810 del National Electrical Code, ANSI/NFPA No.70, proporciona instrucciones para realizar una conexión a tierra adecuada de la estructura de montaje y soporte, del coaxial a una unidad de descarga, así como información sobre el tamaño de los conductores de tierra, la ubicación de la unidad de descarga, la conexión a electrodos de tierra y los requisitos de la toma de tierra.

**Líneas eléctricas:** los sistemas exteriores no deben ubicarse en las proximidades de líneas eléctricas ni otros circuitos de alimentación o luz eléctricos ni en lugares en los que puedan entrar en contacto con estas líneas o circuitos. Al instalar un sistema en el exterior, tenga especial cuidado en no tocar las líneas o circuitos de corriente eléctrica, ya que el contacto podría resultar fatal. Solamente en modelos para EE.UU.: consulte el National Electrical Code Article 820 correspondiente a la instalación de sistemas CATV.

**Toma de corriente de 24 VCA:** la unidad se ha diseñado para funcionar con una fuente de alimentación limitada que debe cumplir las directivas de EN60950. Cuando la unidad está diseñada para funcionar a 24 VCA, la tensión normal de entrada oscila entre 12 VCA y 28 VCA. La tensión aplicada a la entrada de alimentación de la unidad no debe superar los 28 VCA. El cableado utilizado por el usuario desde la fuente de 24 VCA a la unidad debe cumplir las normativas de electricidad (Clase 2 de niveles de alimentación). No conecte a tierra la fuente de 24 VCA en los terminales o en los terminales de alimentación eléctrica de la unidad.

**Conexión:** la unidad tiene terminales de conexión de cable. En instalaciones exteriores o húmedas utilice el accesorio VDA-455SMB o una caja de cableado de campo con niveles de protección Nema3, IP55 o superiores. Realice las conexiones dentro del compartimento hermético. Cuando se hayan realizado todas las conexiones, asegúrese de que el compartimento hermético está cerrado de forma impermeable y de que los cables y conductos estén correctamente sellados para evitar la entrada de agua.



VDA-455SMB

## Conexión y configuración

### Conexiones de cable y vídeo

El cableado tiene un conector BNC para admitir el cable coaxial del vídeo (con conector BNC macho) y dos cables pelados de bajo voltaje para la conexión a un conector de alimentación. (Hay disponible un accesorio adaptador UTP para que se pueda conectar un cable de vídeo UTP al conector BNC.)



#### Precaución

Antes de empezar, asegúrese de desconectar la alimentación del cable que va a instalar en la unidad. Asegúrese de que la unidad es del tipo de voltaje adecuado para la corriente de alimentación que se está utilizando.

La manera más sencilla de conectar los cables de alimentación de bajo voltaje y la conexión de vídeo es la siguiente:

- Pase las conexiones de montaje por el orificio para cables de la superficie de manera que queden colgadas sin problemas.
- Introduzca dos tornillos parcialmente en los orificios perforados previamente (o en la placa del adaptador).
- Cuelgue temporalmente la base de montaje con un solo tornillo por uno de los orificios principales e inclínela ligeramente para acceder a las conexiones de los cables.
- Conecte el conector BNC del módulo de la cámara al cable coaxial de vídeo.
- Conecte los cables de alimentación pelados al conector de alimentación.

#### Nota

Para alimentación de CC, la polaridad no es importante. En el caso de alimentación de CA, intente mantener una polaridad de cables homogénea en los diferentes sistemas de cámara para impedir el movimiento de barrido de la imagen al pasar de una cámara a otra.

- En entornos húmedos, asegúrese de que las conexiones estén selladas. (La caja para montaje en superficie dispone de un compartimento sellado para estos casos.)
- Vuelva a pasar las conexiones por el orificio para cables de la superficie.
- Fije la base de montaje a la superficie con tres tornillos.

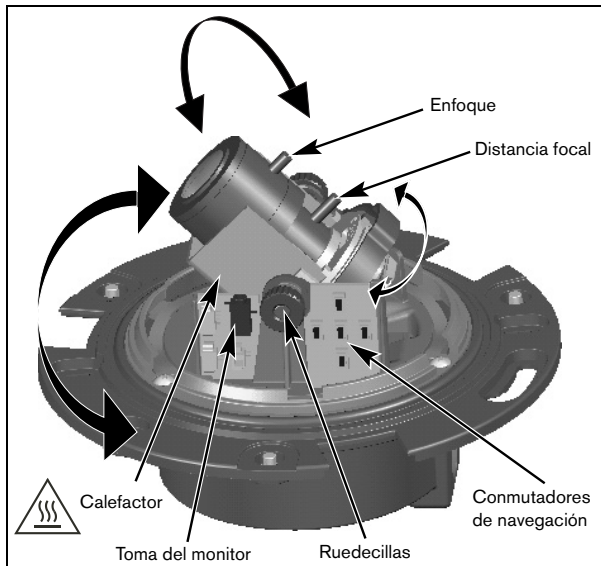
## Configuración de la cámara



### Aviso: superficie caliente

El calefactor estará **CALIENTE** durante su funcionamiento: **NO LO TOQUE**. APAGUE el calefactor cuando esté trabajando con la cámara. Consulte el menú Installer (Instalador, véase Estructura de los menús) para obtener instrucciones.

Puede conectar un monitor al conector de miniatura de 2,5 mm que se encuentra en la tarjeta de circuitos impresa para configurar la cámara. Este conector proporciona una señal de vídeo compuesto (con sincronización). Existe un cable opcional (código número S1460) para realizar esta conexión.



## Colocación de la cámara

La posición predeterminada de la cámara es aquella en la que la parte superior de la imagen coincide con la indicación TOP.



### Precaución

Los sensores de imagen CCD son muy sensibles y precisan de un cuidado especial para un rendimiento adecuado y una larga duración. No los exponga a la luz directa o a focos brillantes, independientemente de que esté o no en funcionamiento. Evite luces brillantes en el campo de visión de la cámara.

Es posible ajustar la posición del módulo de la cámara en tres ejes. Al ajustar la posición de la cámara, asegúrese de que la imagen que aparece en el monitor está nivelada. Realice los siguientes pasos para ajustar la cámara a la posición deseada:

- Para un ajuste horizontal (giro), gire el módulo de la cámara por la base. No la gire más de 360°.
- Para un ajuste vertical (inclinación), afloje los tornillos de palometa, coloque la cámara y, a continuación, apriete los tornillos con cuidado para fijarla.
- Para obtener un horizonte horizontal (en techos inclinados o soporte de pared), gire la base de la lente según sea necesario para alinear la imagen que aparece en el monitor. No la gire más de 340°.

## Distancia focal y enfoque

Antes de ajustar la cámara, coloque la cubierta de ajuste de la lente para asegurarse de que la nitidez de la imagen es la misma que cuando la burbuja está colocada.

- Para establecer el campo de visión de la lente varifocal, afloje el tornillo de distancia focal y gire el mecanismo hasta que el campo de visión necesario aparezca en el monitor. (La imagen se desenfoca.)
- Afloje el tornillo de enfoque y gire el mecanismo hasta que la imagen quede bien enfocada en el monitor.
- Vuelva a ajustar la distancia focal si es necesario.
- Repita estos dos ajustes hasta que la imagen deseada esté enfocada.
- Apriete ambos tornillos.

Retire la cubierta del ajuste de la lente y la toma del monitor.

## Calefactor

Si utiliza la cámara a bajas temperaturas, seleccione el ajuste del calefactor "Auto" (Automático) del menú Installer (Instalador, véase Estructura de los menús).

## Cierre de la unidad

Cuando haya establecido la posición de la cámara y todos los ajustes, cierre la unidad.

- Coloque la cubierta interior en su lugar alineando la aleta con el soporte de la base.
- Coloque la burbuja en la base y gírela hasta que encaje en su lugar. (Si es necesario, limpie la superficie con un paño suave.)
- Coloque el anillo sellador y el anillo embellecedor por encima de la burbuja.
- Alinee los tornillos a prueba de manipulaciones del anillo embellecedor con los orificios de rosca que se encuentra en la base de montaje.
- Utilice el destornillador especial proporcionado para apretar los tres tornillos a prueba de manipulaciones.

## Configuración avanzada

Normalmente, FlexiDome<sup>XT+</sup> ofrece imágenes óptimas sin necesidad de realizar ajustes adicionales. No obstante, dispone de diversas opciones de configuración avanzada para obtener los mejores resultados en condiciones especiales. Existen dos menús; un menú **Main** y un menú **Installer**.

El menú **Main** permite seleccionar y configurar las funciones de mejora de imágenes para cada modo. Si no está satisfecho con los cambios, puede restablecer los valores predeterminados del modo.

La cámara dispone además del menú **Installer** en el que se pueden definir los parámetros de instalación.

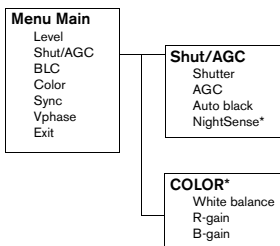
Los menús **Main** e **Installer** poseen funciones que se pueden seleccionar directamente, así como submenús para una configuración más precisa.

## Acceso y desplazamiento por los menús

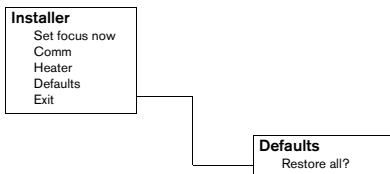
Se utilizan cinco teclas para el desplazamiento por los diferentes menús. Para acceder a los menús de configuración, pulse la tecla de selección de menú (centro). Aparece el menú principal (Main) en la visualización en pantalla (OSD). Utilice las teclas de flecha para desplazarse.

Si el enlace de comunicación Bilinx™ está activo, los botones de la cámara estarán desactivados. Asimismo, puede configurar Bilinx™ para que los botones de la cámara permanezcan desactivados aun cuando Bilinx™ no controle la cámara de forma activa. De esta forma, se evita la modificación no autorizada de la configuración de la cámara.

## Estructura de menús



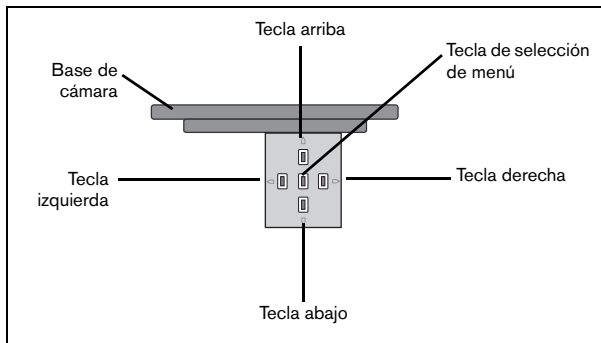
\* Sólo en la versión de color de la cámara.





## Instrucciones de desplazamiento por los menús

### Uso de las 5 teclas



- Pulse la tecla de selección de menú para acceder a los menús o para desplazarse al menú anterior o al siguiente.
- Pulse la tecla de selección de menú aproximadamente 1,5 segundos para abrir el menú **Installer**.
- Utilice las teclas arriba y abajo para desplazarse hacia arriba o hacia abajo en un menú.
- Utilice las teclas izquierda y derecha para desplazarse por las opciones o para definir los parámetros.
- En un menú, si se pulsa dos veces con rapidez la tecla de selección de menú, se restablece el valor predeterminado de fábrica de la opción seleccionada.
- Para cerrar todos los menús a la vez desde cualquiera de ellos, seleccione la opción **Exit** y mantenga pulsada la tecla de selección de menú hasta que éste desaparezca.

## Menú principal

Función	Selección	Descripción
LEVEL	-15 - 0 - +15	Permite ajustar el nivel de salida de vídeo.
SHUT/AGC	Seleccionar submenú	Permite acceder al menú Shutter/Automatic Gain Control.
BLC	ON, OFF	Si el valor es ON, se optimiza el nivel de vídeo del área seleccionada de la imagen. Es posible que las partes situadas fuera de dicha área sufran una subexposición o sobreexposición (es algo normal).
COLOR*	ATW ATB HOLD Seleccionar submenú	Permite acceder al menú de color.
SYNC	LINE LOCK INTERNAL	Seleccione LINE LOCK para sincronizar la cámara con la frecuencia de la alimentación. Seleccione INTERNAL para utilizarla con la sincronización interna (seleccionada automáticamente con la CC).
VPHASE	0, 2, ... 358°	Permite ajustar la transferencia de fase vertical (cuando se encuentra en modo LINE LOCK y se detecta una frecuencia de alimentación válida).
EXIT		Permite salir del menú.

\* Sólo en la versión de color de la cámara. Si una cámara de color está en modo monocromo, se desactivarán todas las opciones de menú relacionadas con el color y no se podrá acceder a ellas.

## Submenú Shutter/AGC

Función	Selección	Descripción
SHUTTER	AES, FL	<ul style="list-style-type: none"> <li>• AES (obturador automático): la cámara define automáticamente la velocidad óptima del obturador.</li> <li>• FL: modo sin destellos que evita interferencias de fuentes de luz (sólo se recomienda su uso con lentes DC iris o Autoiris).</li> </ul>
AGC	ON/OFF	Automatic gain control.
AUTOBLACK	ON/OFF	Autblack incrementa la visibilidad de los detalles automáticamente.

NIGHTSENSE*	AUTO FORCED OFF	Nightsense™ amplía el rendimiento de la cámara en condiciones de poca luz. <ul style="list-style-type: none"> <li>• En modo AUTO, la cámara pasa a vídeo monocromo en condiciones de poca luz automáticamente.</li> <li>• En modo FORCED, la cámara mantiene el funcionamiento en vídeo monocromo de alta sensibilidad.</li> </ul>
EXIT		Permite salir del menú.

\* Sólo en la versión de color de la cámara.

### Nota

Si se activa NightSense™, es posible que aparezcan ruidos o puntos en la imagen. Se trata de la respuesta normal de la cámara.

Si una cámara de color está en modo monocromo, se desactivarán todas las opciones de menú relacionadas con el color y no se podrá acceder a ellas.

### Submenú Color\*

Función	Selección	Descripción
WHITE BALANCE	ATW AWB HOLD	<ul style="list-style-type: none"> <li>• ATW: el ajuste automático del equilibrio de blancos permite a la cámara realizar ajustes de forma constante para obtener una reproducción en color óptima.</li> <li>• AWB HOLD: permite poner la función ATW en modo suspendido y guarda la configuración de color.</li> </ul>
RED gain**	-5 - 0 - +5	Desplaza la alineación de puntos blancos de fábrica (la reducción de rojo introduce más cian).
BLUE gain**	-5 - 0 - +5	Desplaza la alineación de puntos blancos de fábrica (la reducción de azul introduce más amarillo).
EXIT		Permite salir del menú.

\* Sólo en la versión de color de la cámara.

\*\* Sólo es necesario cambiar el desplazamiento de puntos blancos en escenas con condiciones especiales.

## Ajustes de Installer

### Menú Install

Función	Selección	Descripción
SET FOCUS NOW		Fuerza la lente para que abra el iris por completo. Ajusta el foco de la lente en el momento.
COMM	ON, OFF	Activa o desactiva la comunicación BilinX.
HEATER	AUTO, OFF	Seleccione AUTO para activar la función de calefactor controlado por termostato.
DEFAULTS	Seleccionar submenú	Permite devolver todos los ajustes para todos los modos a los valores predeterminados definidos en fábrica.
EXIT		Permite salir del menú.

Procedimiento de ajuste de lente DC iris:

1. Afloje el tornillo de bloqueo del foco.
2. Se resalta SET BACK FOCUS NOW en el menú.
3. Gire el dispositivo de ajuste del foco según sea necesario.
4. Apriete el tornillo de bloqueo del foco.
5. Salga de la selección del menú.

### Submenú Defaults

Función	Selección	Descripción
ALL DEFAULTS		Permite restaurar los valores predeterminados definidos en fábrica. Se muestra una pantalla de confirmación. Tras 5 segundos, la cámara optimiza la imagen después de un reajuste del modo.
EXIT		Permite salir del menú.

### Comunicación del control de cámara

Esta cámara está equipada con un transceptor de comunicaciones coaxial. Junto con VP-CFGSFT, la cámara se puede ajustar desde el extremo del cabezal del cable coaxial. Se puede acceder a todos los menús de forma remota, lo que proporciona un control total de la cámara. Con este sistema también es posible desactivar las teclas locales de la cámara. Para evitar la pérdida de comunicación en una cámara instalada, la selección Communication ON/OFF **no** está disponible al utilizar el mando a distancia. Sólo se puede acceder a esta función con los botones de la cámara.

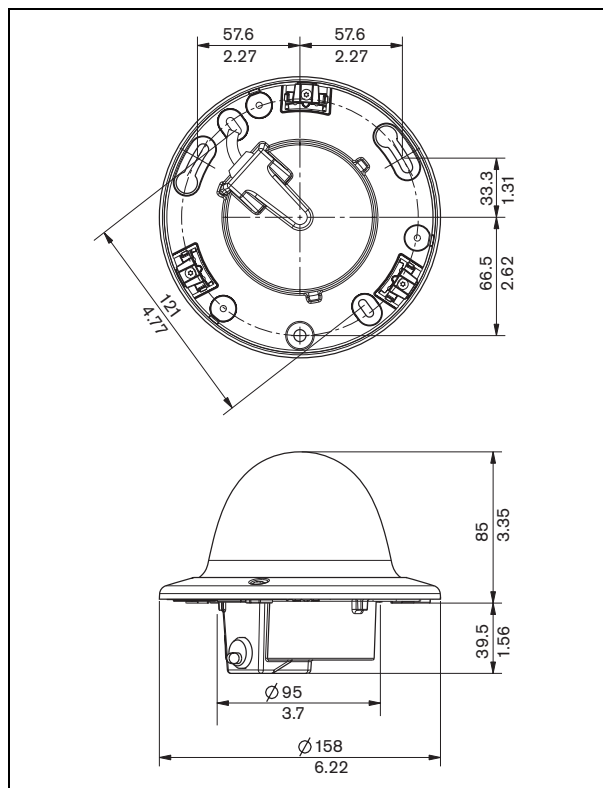
## Especificaciones técnicas

Número de modelo	VDC-455V0x-10	VDC-455V0x-20	VDC-355V0x-10	VDC-355V0x-20
Estándar	PAL	NTSC	CCIR	EIA
Píxeles activos	752x582	768x492	752x582	768x492
Iluminación mínima	< 1,0 lux < 0,4 lux (NightSense activado)		< 0,2 lux	
Resolución	540 líneas de TV		570 líneas de TV	
Tensión de alimentación nominal	24 VCA o 12 VCC 12-28 VCA (50/60 Hz) 11-36 VCC			

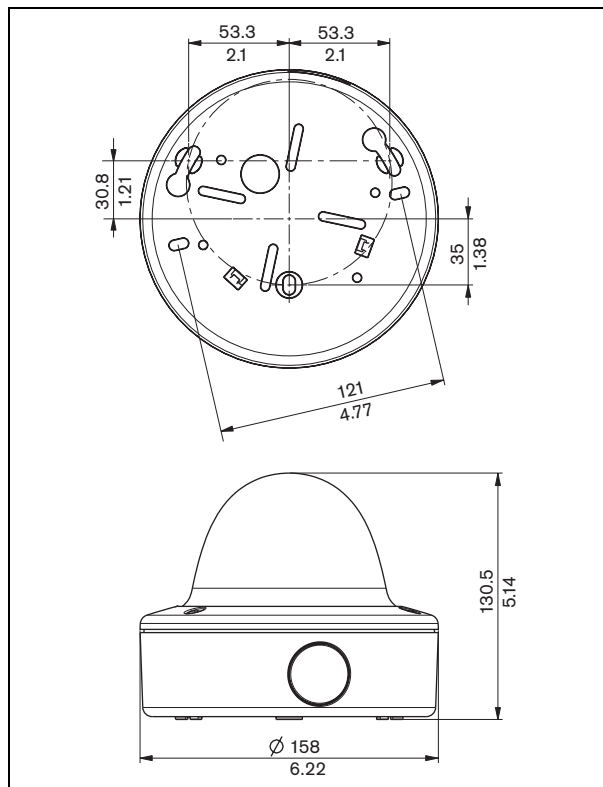
### Todas las versiones

Sensor de imágenes	CCD interlineal
S/R	> 50 dB
Salida de video	1 Vpp, 75 ohmios
Sincronización	Selección interna o por sincronismo de línea
Obturador	Posibilidad de seleccionar obturador electrónico automático (AES) (de 1/60 (1/50) a 1/100000) o sin destellos (Flickerless)
Reforzamiento de contraste (Auto black)	Posibilidad de seleccionar entre activado (On) y desactivado (Off)
AGC	Posibilidad de activar (20 dB) o desactivar el control automático de ganancia (AGC)
Contorno (Contour)	Mejora de la nitidez
BLC	Posibilidad de seleccionar entre activado (On) y desactivado (Off)
Equilibrio de blancos* (White Balance)	Automático de 2500 a 9000 K (con modo suspendido del equilibrio automático de blancos, AWB)
Lente	Varifocal con DC-iris integrada
Consumo de electricidad	< 5 W
Dimensiones	58 x 66 x 122 mm (A x A x L)
Peso	550 g
Temperatura de funcionamiento	De -30° a 50 °C (-50° con el calefactor activado en AUTO)
Controles	Visualización en pantalla (OSD) con tecla multifunción

## Dimensiones en mm



## Dimensiones con la caja de montaje en superficie (mm)



## Accesorios

### Transformadores de energía

- TC1334 120 VCA, 60 Hz - 24 VCA, 30 VA
- TC120PS 120 VCA, 60 Hz - 15 VCC, 9 VA
- TC220PSX-24 220 - 240 VCA, 50/60 Hz - 24 VCA, 30 VA
- TC220PS 220 - 240 VCA, 50/60 Hz - 15 VCC, 9 VA

### Módulo de interfaz:

- VP-CFGSFT Módulo de interfaz de comunicaciones Bilinx<sup>TM</sup> y software







## VEILIGHEIDSVOORSCHRIFTEN



### Gevaar

Een bliksemflits in een gelijkbenige driehoek attendeert de gebruiker op de aanwezigheid van ongeïsoleerde, gevaarlijke spanning binnen in het apparaat. De hoogte van die spanning kan een groot gevaar voor personen vormen.



### Waarschuwing

Een uitroepteken in een gelijkbenige driehoek attendeert de gebruiker op de aanwezigheid van belangrijke bedienings- en onderhoudsinstructies in de documentatie die bij het apparaat werd meegeleverd.



### Waarschuwing

Verwijder nooit de klep (of achterzijde), om het risico van elektrische schokken te voorkomen. Bevat geen onderdelen die door de gebruiker dienen te worden onderhouden. Laat service en onderhoud alleen door bevoegd personeel uitvoeren.

## Belangrijke voorzorgsmaatregelen

1. Lees deze handleiding.
2. Bewaar deze handleiding.
3. Neem alle waarschuwingen in acht.
4. Volg alle instructies op.
5. Gebruik dit apparaat niet in de buurt van water.
6. Reinig het apparaat uitsluitend met een droge doek.
7. Zorg dat de ventilatieopeningen niet geblokkeerd raken. Installeer dit apparaat zoals beschreven in deze handleiding.
8. Installeer dit apparaat niet in de buurt van warmtebronnen zoals radiatoren, ovens of andere apparaten die hitte voortbrengen (zoals versterkers).

9. Houd er rekening mee dat de gepolariseerde stekker of aardingsstekker specifiek is ontworpen voor veiligheidsdoeleinden. Een gepolariseerde stekker heeft twee pennen, een brede en een smallere. Een geaarde stekker heeft twee pennen en een derde pin voor de aarding. De brede pennen en de aanwezigheid van de derde pin zijn ontworpen voor uw veiligheid. Neem voor advies contact op met een elektricien als de geleverde stekker niet in het stopcontact past.
10. Zorg dat er niet op de voedingskabel kan worden gelopen en dat deze niet kan worden afgeklemd, met name bij de stekkers, de stopcontacten en het punt waar de kabel het apparaat verlaat.
11. Maak uitsluitend gebruik van toebehoren en accessoires die door de fabrikant worden aanbevolen.
12. Haal bij onweer of als u het apparaat een lange tijd niet gebruikt de stekker uit het stopcontact.
13. Laat onderhoud over aan professionele onderhoudsmonteurs. Reparatie is noodzakelijk wanneer het apparaat beschadigd is (bijvoorbeeld een beschadigde netkabel of -stekker), wanneer er vloeistof in het apparaat is gelekt of voorwerpen in het apparaat zijn gevallen, wanneer het apparaat niet normaal functioneert of wanneer het is gevallen.
14. De elektrische installatie van het gebouw dient voorzien te zijn van een alpolige hoofdschakelaar met een contactafstand van ten minste 3 mm in elke pool.



## Waarschuwing

De laagspanningsvoeding moet voldoen aan EN/UL 60950. De voedingseenheid moet voldoen aan SELV-LPS of SELV - klasse 2 (Safety Extra Low Voltage - Limited Power Source).

## FCC-informatie

Dit apparaat is getest en voldoet aan de limieten die zijn vastgesteld voor een digitaal apparaat van klasse B, overeenkomstig deel 15 van de FCC-regels. Deze limieten zijn vastgesteld ten behoeve van een redelijke beveiliging tegen schadelijke interferentie in een huiselijke omgeving. Dit apparaat genereert en gebruikt radiofrequentie-energie en kan radiofrequentie-energie uitstralen. Het apparaat kan ook schadelijke interferentie van radiocommunicatie veroorzaken als het niet wordt geïnstalleerd en gebruikt overeenkomstig de instructies. Garantie dat in een bepaalde situatie geen interferentie zal plaatsvinden, wordt echter niet gegeven. Als dit apparaat schadelijke interferentie van radio- en televisieontvangst veroorzaakt, hetgeen is vast te stellen door het apparaat uit en in te schakelen, kan de gebruiker een of meer van de volgende maatregelen nemen om dit probleem op te lossen:

- Draai of verplaats de ontvangstantenne.
- Vergroot de afstand van het apparaat tot de ontvanger.
- Sluit het apparaat aan op een stopcontact in een andere groep dan die waarop de ontvanger is aangesloten.
- Raadpleeg de leverancier of een ervaren radio- of tv-technicus.

## Opmerking

Elke wijziging of aanpassing van de apparatuur, die niet expliciet door Bosch is goedgekeurd, kan het recht van de gebruiker om de apparatuur te bedienen, tenietdoen. Als u meer wilt weten of een vertegenwoordiger wilt spreken, kunt u contact opnemen met de dichtstbijzijnde vestiging van Bosch Security Systems. Of kijk op onze website: [www.boschsecurity.nl](http://www.boschsecurity.nl)

## Inleiding

De FlexiDome<sup>XT+</sup> is een kleine, onopvallende bewakingskoepel voor hoge veiligheid met een hoogwaardige 1/4-inch CCD-kleurencamera met geïntegreerd varifocaal objectief. De geïntegreerde eenheid is bevestigd op een aansluitdoos, aan de wand of aan het plafond. De robuuste constructie en de uiterst schokbestendige koepel van polycarbonaat beschermen de cameramodule tegen beschadiging.

De camera werkt met geavanceerde digitale signaalverwerking voor een uitstekende beeldkwaliteit onder alle lichtomstandigheden. De FlexiDome<sup>XT+</sup>-camera is eenvoudig te installeren en klaar voor gebruik. Deze camera biedt de beste oplossing voor veeleisende omstandigheden.

Enkele productkenmerken:

- Schokbestendige koepel
- Sabotagebestendige behuizing
- NightSense™
- Ondersteuning objectieffocus
- Bidirectionele Bilinx™-communicatie via coax

De FlexiDome<sup>XT+</sup>-camera is leverbaar in kleur en zwart/wit-uitvoering.

## Overzicht typenummers

FlexiDome<sup>XT+</sup> Monochrome (zwart/wit)

Typennummer	VDM-355V03-10	VDM-355V04-10	VDM-355V03-20	VDM-355V04-20
Objectief	Varifocaal 2,6-6 mm F1.4-360	Varifocaal 3,7-12 mm F1.6-360	Varifocaal 2,6-6 mm F1.4-360	Varifocaal 3,7-12 mm F1.6-360
Standaard	CCIR		EIA	
Voedingsspanning	24 V AC 50Hz of 12 V DC		24 V AC 60Hz of 12 V DC	
CCD-type	1/3 inch			

FlexiDome<sup>XT+</sup> Color (kleur)

Typennummer	VDC-455V03-10	VDC-455V04-10	VDC-455V03-20	VDC-455V04-20
Objectief	Varifocaal 2,6-6 mm F1.4-360	Varifocaal 3,7-12 mm F1.6-360	Varifocaal 2,6-6 mm F1.4-360	Varifocaal 3,7-12 mm F1.6-360
Standaard	Kleur, PAL		Kleur, NTSC	
Voedingsspanning	24 V AC 50Hz of 12 V DC		24 V AC 60Hz of 12 V DC	
CCD-formaat	1/3 inch			

## Uitpakken

Pak de apparatuur voorzichtig uit en ga er voorzichtig mee om.

De verpakking bevat:

- Geïntegreerde FlexiDome-camera
- Montageset met bevestigingsmiddelen
- Speciale schroevendraaier voor sabotagebestendige schroef
- Instelkapje voor objectief
- Installatiehandleiding

### Opmerking

Als apparatuur blijkt te zijn beschadigd tijdens transport, verpak het dan in de oorspronkelijke verpakking en neem contact op met de vervoerder of de leverancier.

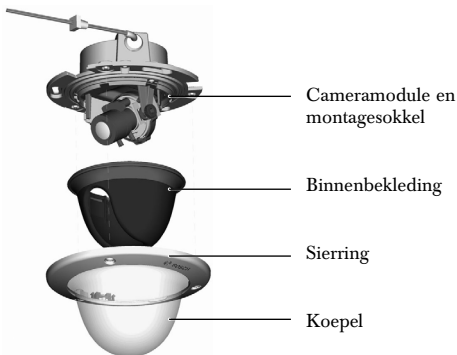


## Waarschuwing

Het apparaat mag uitsluitend door gekwalificeerd personeel worden geïnstalleerd. De installatie dient in overeenstemming met de ter plaatse geldende richtlijnen voor elektrische apparatuur te worden uitgevoerd.

## Demontage

De camera/behuizing bestaat uit de volgende onderdelen:



## Waarschuwing

De cameramodule is een gevoelig apparaat en moet voorzichtig worden behandeld. Laat het apparaat tijdens demontage niet vallen.

Om het apparaat te demonteren gaat u als volgt te werk:

- Schroef de drie sabotagebestendige schroeven in de sierring los (de schroeven blijven zitten).
- Verwijder de sierring met koepel door deze van zijn sokkel los te trekken.
- Verwijder de binnenbekleding door deze van de sokkel los te trekken.



## Montage van het apparaat

Het apparaat kan op verschillende manieren worden gemonteerd, afhankelijk van het soort oppervlak, of er een aansluitdoos wordt gebruikt en of de aansluiting via de achterkant of de zijkant (opbouwmontage) plaatsvindt.



### Waarschuwing

Het apparaat mag alleen door gekwalificeerd personeel worden geïnstalleerd. De installatie dient in overeenstemming met de ter plaatse geldende richtlijnen voor elektrische apparatuur te worden uitgevoerd.

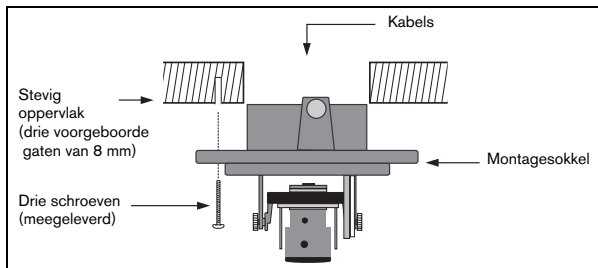
Als het apparaat bedoeld is voor opbouwmontage moet u de afzonderlijk verkrijgbare verhoogde montagesokkel (VDA-455SMB) gebruiken en het apparaat op die sokkel monteren.

#### Tips

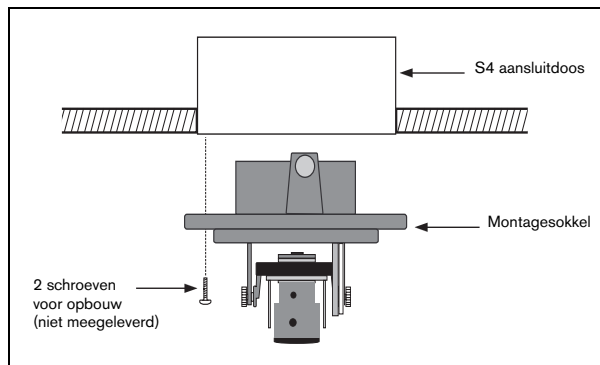
- Zie de maattekening voor de exacte positie van de schroefgaten en de kabelopening voor de kabels.
- Draai twee schroeven gedeeltelijk in de spiegelgaten en gebruik ze tijdelijk om de camera op te hangen tijdens het aansluiten.

De volgende afbeeldingen laten de verschillende manieren zien waarop het apparaat kan worden gemonteerd.

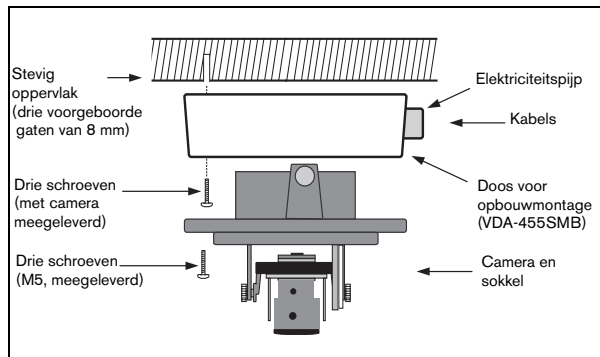
Afbeelding 1 Aansluiting aan de achterkant - hol oppervlak



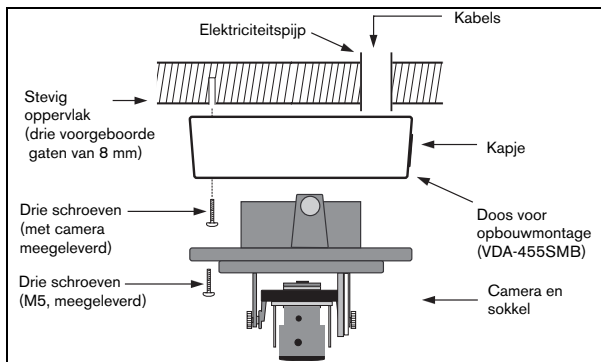
Afbeelding 2 Aansluiting op een aansluitdoos (4S)



Afbeelding 3 Opbouwmontage - aansluiting aan zijkant



Afbeelding 4 Opbouwmontage - aansluiting aan achterkant



### Opbouwmontage

Bij gebruik van de doos voor verhoogde montage:

- Bij aansluiting aan de zijkant moet het kapje verwijderd worden dat de opening aan de zijkant afdekt.  
Bij aansluiting aan de achterkant kan het kapje op zijn plaats blijven.
- Bevestig de elektricititeitspijp aan de montagedoos.
- Maak de twee klemmen onder aan de waterdichte aansluitingsbehuizing los zodat deze van de montagedoos kan worden verwijderd.
- Open de afdekking van de waterdichte behuizing in de montagedoos door de 5 klemmen los te maken.
- Voer de voedings- en videokabels door afzonderlijke rubberringen naar de waterdichte behuizing.
- Voer de kabel van de camera door de meegeleverde kabeldoorvoer naar de waterdichte behuizing.
- Breng de aansluiting in de waterdichte behuizing tot stand en schroef de kap erop om het geheel af te dichten.

### Opmerking

Om zeker te zijn van een waterdichte kabelinvoer moet u ronde kabels gebruiken met een dikte van tussen de 5 of 6 mm voor de aansluiting van voeding en video. Spuit siliconenspray op de kabel zodat de rubberringen gemakkelijker over de kabels schuiven.

## Aansluiting in buitentoepassingen

### Veiligheidsmaatregelen:

**Coaxaarding:** als een extern kabelsysteem is aangesloten op de camera, zorg er dan voor dat het systeem correct geaard is.

Uitsluitend voor modellen in de V.S. - Sectie 810 van de National Electrical Code, ANSI/NFPA No.70, bevat informatie over het correct aarden van het montagestatief en het montagehulpstuk, het aarden van de coaxkabel aan een ontlander, de diameter van de aardgeleiders, de plaats van de ontlander, de aansluiting op aardelektrodes en vereisten voor de aardelektrode.

**Voedingskabels:** plaats een buitensysteem niet in de omgeving van bovengrondse kabels, elektrische lampen of stroomcircuits, of op plaatsen waar het met dergelijke voedingskabels of circuits in aanraking kan komen. Ga tijdens de installatie van een buitensysteem zeer voorzichtig te werk. Contact met bovengrondse kabels of circuits kan dodelijk zijn. Alleen voor VS modellen - raadpleeg de National Electrical Code Article 820 over de installatie van CATV-systemen.

**Voedingsbron van 24 V AC:** deze camera moet worden gevoed door een begrensde voedingsbron die voldoet aan EN60950. Als de camera werkt op 24 V AC, bedraagt de normale ingangsspanning tussen 12 V AC en 28 V AC. De spanning op de voedingsingang van de camera mag niet hoger zijn dan 28 V AC. Als de gebruiker zelf voor de bekabeling van de voeding van 24 V AC naar de camera zorgt, moet deze voldoen aan de richtlijnen voor elektrische en elektronische apparatuur (Klasse 2-voeding). Aard de voeding van 24 V AC niet bij de aansluitklemmen van de voedingsbron of van het apparaat zelf.

**Aansluiting:** de camera is voorzien van aansluitklemmen aan losse kabels. Gebruik bij installaties in vochtige omgevingen of buiten de accessoire VDA-455SMB of een aansluitdoos voor buiten met beschermingsklasse Nema3 of IP55 of beter. Breng de aansluitingen in de waterdichte behuizing tot stand. Nadat u de aansluitingen tot stand hebt gebracht, dient u de waterdichte behuizing goed af te sluiten en ervoor te zorgen dat de kabels en kabeldoorvoeren goed zijn afgedicht zodat er geen water kan binnendringen.



VDA-455SMB

## Aansluiting en instelling

### Voedings- en videoaansluiting

Aan de kabelbundel zitten een BNC-connector waarop een videocoaxkabel (met mannelijke BNC-connector) kan worden aangesloten en twee gestripte voedingskabels voor laag voltage, die op een voedingsaansluiting kunnen worden aangesloten. (Een UTP-adapter is als accessoire verkrijgbaar zodat een UTP-videokabel op de BNC-connector kan worden aangesloten.)



#### Waarschuwing

Voordat u verdergaat, dient u er zeker van te zijn dat de kabel die op het apparaat wordt aangesloten niet met een voedingsbron is verbonden. Controleer of het voltage van het apparaat overeenkomt met de netspanning.

De eenvoudigste manier om de voedingskabels voor laag voltage en de videoaansluiting aan te sluiten, is als volgt:

- Voer de bekabeling van het gebouw door de opening in het oppervlak zodat de kabels vrij hangen.
- Draai de twee schroeven gedeeltelijk in de voorgeboorde gaten.
- Hang de montagesokkel met behulp van de spiegaten zolang aan één schroef en kantel de sokkel enigszins om bij de kabelaansluitingen te kunnen komen.
- Verbind de BNC-connector van de cameramodule met de videocoaxkabel.
- Verbind de gestripte voedingskabels met de voedingsaansluiting.

#### Opmerking

Bij DC-voeding is de polariteit niet van belang. Probeer, bij gebruik van AC-voeding voor meer dan één camera, bij het aansluiten van elke camera dezelfde polariteit toe te passen. Zo voorkomt u lopend beeld bij het omschakelen.

- In een vochtige omgeving moeten de aansluitingen worden afgedicht. (De opbouwmontagedoos beschikt hiervoor over een afgedichte behuizing.)
- Duw de aansluitingen terug door de opening in het oppervlak.
- Maak de montagesokkel met de drie schroeven goed vast aan het oppervlak.

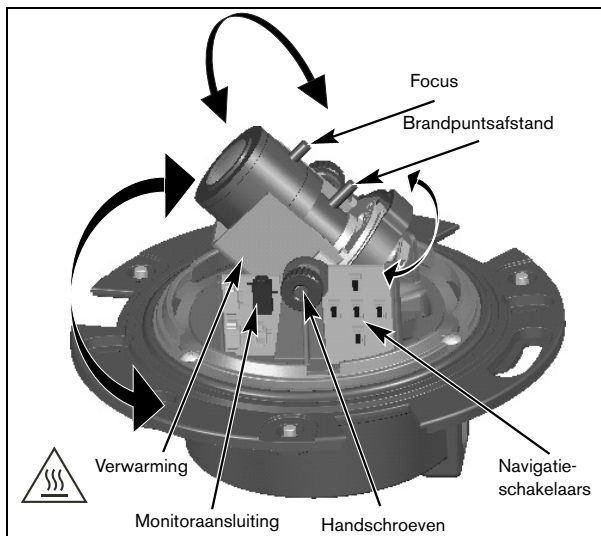


## Waarschuwing: Heet oppervlak

De verwarming is **HEET** als deze in bedrijf is: **NIET AANRAKEN**. Schakel altijd de verwarming **UIT** als u werkzaamheden aan de camera gaat verrichten. In het menu voor installateurs (zie Menustructuur) treft u instructies aan.

## De camera instellen

Om het instellen van de camera gemakkelijker te maken, kunt u een monitor aansluiten op de aansluiting voor een miniplug van 2,5 mm op de printplaat. Deze aansluiting geeft een gecombineerd videosignaal (met synchronisatie). Om deze verbinding te maken kunt u een optionele kabel (artikelnummer S1460) gebruiken.



## De camerapositie instellen

De fysieke standaardpositie van de camera is dat de bovenkant van het beeld met de aanduiding TOP overeenkomt.



### Waarschuwing

De CCD-beeldsensoren zijn uiterst gevoelig. Voor goede prestaties en een lange levensduur hebben ze speciale zorg nodig. Stel ze niet bloot aan direct zonlicht of felle lampen, zowel tijdens gebruik als wanneer de camera buiten gebruik is. Vermijd felle lampen binnen het zichtveld van de camera.

De positie van de cameramodule kan langs drie assen worden ingesteld. Zorg ervoor dat het op de monitor getoonde beeld horizontaal staat wanneer u de camerapositie instelt. Zet de camera door middel van de volgende stappen in de gewenste positie:

- Voor horizontale instelling (zwenken): draai de cameramodule in de sokkel. Draai de cameramodule niet meer dan 360°.
- Voor verticale instelling (kantelen): draai de handschroeven los, plaats de camera en draai de handschroeven dan voorzichtig aan om de camera vast te zetten.
- Als de camera aan een schuinlopend plafond of een muur bevestigd is, dient u de sokkel van het objectief zo ver te draaien als nodig is om het op de monitor getoonde beeld horizontaal uit te lijnen. Draai de cameramodule niet meer dan 340°.

## Brandpuntsafstand instellen en scherpstellen

Zet, voordat u met instellen begint, het instelkapje op het objectief, zodat het beeld even scherp is als wanneer de koepel is geplaatst.

- Stel het zichtveld van het varifocaal objectief in: draai de schroef voor de brandpuntsafstand los en draai het mechanisme tot het gewenste beeld op de monitor te zien is. (Beeld wordt onscherp.)
- Stel het beeld op de monitor scherp door de scherpstelschroef los te draaien en het mechanisme te draaien tot het beeld scherp is.
- Pas indien nodig de brandpuntsafstand aan.
- Herhaal deze twee instellingen totdat het gewenste beeld scherp is.
- Draai beide schroeven vast.

Verwijder het instelkapje van het objectief en de monitor-ingang.

## Verwarming

Als de camera bij lage temperaturen wordt gebruikt, selecteert u in het menu voor installateurs (zie Menustructuur) de instelling "Auto" voor de verwarming.

## Het apparaat sluiten

Sluit het apparaat wanneer de camerapositie is ingesteld en alle instellingen gereed zijn.

- Plaats de binnenbekleding en zorg ervoor dat de rug uitgelijnd is met de beugel op de sokkel.
- Plaats de koepel op de sokkel en draai deze tot hij op zijn plaats vastklikt. (Reinig indien nodig het oppervlak met een zachte doek.)
- Plaats de afdichtring en de sierring op de koepel.
- Lijn de sabotagebestendige schroeven op de sierring uit met de schroefgaten in de montagesokkel.
- Gebruik de meegeleverde speciale schroevendraaier om de drie sabotagebestendige schroeven vast te draaien.



## Geavanceerde instellingen

Normaal gesproken geeft de FlexiDome<sup>XT+</sup> een optimaal beeld zonder dat er verdere instellingen nodig zijn. Er zijn echter tevens geavanceerde instellingsopties beschikbaar voor optimale prestaties van de camera onder bijzondere omstandigheden. Er zijn twee menu's: het menu **Main** en het menu **Installer**.

In het menu **Main** kunt u voor elke bedieningsstand de beeldverbeteringsfuncties selecteren en instellen. Als u niet tevreden bent over de wijzigingen die u hebt toegepast, kunt u altijd de standaardinstellingen voor de desbetreffende bedieningsstand herstellen.

De camera beschikt tevens over het menu **Installer** waarin u instellingen voor de installatie kunt invoeren.

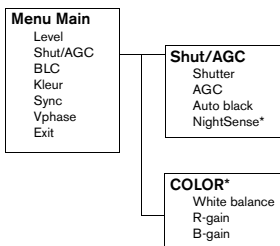
De menu's **Main** en **Installer** bieden functies die rechtstreeks kunnen worden geselecteerd of submenu's voor meer gedetailleerde instellingen.

## Openen van en navigatie binnen menu's

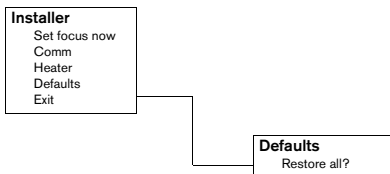
Met behulp van vijf toetsen kunt u binnen de verschillende menu's navigeren. Als u op de menu-/selectietoets drukt (in het midden) krijgt u toegang tot de instellingsmenu's. Het menu **Main** wordt weergegeven op het OSD. Gebruik de pijltoetsen om binnen het menu te navigeren.

Als de Bilinx<sup>TM</sup>-communicatieverbinding actief is, zijn de toetsen op de camera uitgeschakeld. U kunt Bilinx<sup>TM</sup> zo instellen dat de cameratoetsen ook zijn geblokkeerd op het moment dat de camera niet door Bilinx<sup>TM</sup> wordt aangestuurd. Hiermee voorkomt u dat de camera-instellingen door onbevoegden worden gewijzigd.

## Menustructuur

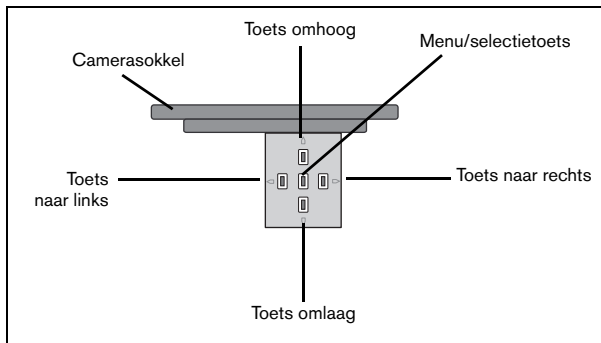


\* Alleen voor kleurentoets van de camera.



## Tips voor menunavigatie

### Gebruik van de vijf toetsen



- Druk op de menu/selectietoets om toegang te krijgen tot de menu's of om naar het volgende of vorige menu te gaan.
- Druk gedurende ongeveer 1,5 seconde op de menu/selectietoets om het menu **Installer** te openen.
- Gebruik de pijltoetsen omhoog/omlaag om binnen een menu te navigeren.
- Gebruik de pijltoetsen links/rechts om opties te kiezen of parameters in te stellen.
- Als u in een menu tweemaal snel op de menu/selectietoets drukt, wordt voor het geselecteerde item de fabrieksinstelling hersteld.
- Als u in één keer alle menu's wilt afsluiten, selecteert u de optie **Exit** en houdt u de menu/selectietoets ingedrukt totdat de menu's niet langer worden weergegeven.

## Menu Main

Functie	Selectie	Beschrijving
LEVEL	-15 - 0 - +15	Hiermee stelt u het video-uitgangsniveau in.
SHUTTER/ AGC	Kies submenu.	Selecteren om het menu Shutter / Automatic Gain te openen.
BLC	ON, OFF	Als de tegenlichtcompensatie is ingeschakeld (ON) wordt het videoniveau geoptimaliseerd voor het geselecteerde gedeelte van het beeld. De delen buiten dit gebied kunnen onderbelicht of overbelicht zijn (dat is een normaal verschijnsel).
COLOR*	ATW ATB HOLD Kies submenu	Selecteren om het menu voor kleurinstellingen te openen.
SYNC	LINE LOCK INTERNAL	Kies LINE LOCK voor synchronisatie met de voedingsfrequentie. Kies INTERNAL voor gebruik met interne synchronisatie (automatisch geselecteerd bij DC-voeding).
VPHASE	0, 2, ... 358°	Hiermee stelt u de verticale fase in (in de LINE LOCK-stand en als er een geldige voedingsfrequentie is gedetecteerd).
EXIT		Het menu sluiten.

\* Alleen voor kleurenitvoering van de camera. Als een kleurencamera in de zwart/wit-stand is ingeschakeld, worden alle menu-items die betrekking hebben op kleurinstellingen uitgeschakeld; zij kunnen dus niet worden ingesteld.

## Submenu Shutter/AGC

Functie	Selectie	Beschrijving
SHUTTER	AES, FL	<ul style="list-style-type: none"> <li>AES (automatische sluiters): de camera stelt automatisch de optimale sluitersnelheid in.</li> <li>FL: in deze stand (flakkervrij) wordt interferentie met lichtbronnen vermeden (alleen gebruiken voor video-iris- of DC-irisobjectieven).</li> </ul>
AGC	ON/OFF	Automatische versterkingsregeling.
AUTOBLACK	ON/OFF	Auto Black-compensatie versterkt automatisch de zichtbaarheid van details.

NIGHTSENSE*	AUTO FORCED OFF	Nightsense™ zorgt ervoor dat de camera beter presteert in omgevingen met een geringe hoeveelheid licht. <ul style="list-style-type: none"> <li>• In AUTO mode, the camera automatically inches to monochrome in low-light conditions.</li> <li>• In de FORCED-stand blijft de camera werken met hooggevoelige zwart-wit opnamen.</li> </ul>
EXIT		Het menu sluiten.

\* Alleen voor kleurentoetsing van de camera.

### Opmerking

Als NightSense™ is geactiveerd, ontstaat er mogelijk wat ruis of verschijnen er mogelijk enige vlekken in het beeld. Dit is een normaal verschijnsel bij camera's.

Als een kleurencamera in de zwart/wit-stand is ingeschakeld, worden alle menu-items die betrekking hebben op kleurinstellingen uitgeschakeld; zij kunnen dus niet worden ingesteld.

### Submenu Color\*

Functie	Selectie	Beschrijving
WHITE BALANCE	ATW AWB HOLD	<ul style="list-style-type: none"> <li>• ATW: in de ATW-stand (ATW = Auto Tracking White balance) wordt de witbalans voortdurend automatisch aangepast voor een optimale kleurenweergave.</li> <li>• AWB HOLD: de ATW wordt gestopt en de bijbehorende kleurinstellingen worden opgeslagen.</li> </ul>
RED gain**	-5 - 0 - +5	Witpuntcompensatie (minder rood vergroot de hoeveelheid cyaan).
BLUE gain**	-5 - 0 - +5	Witpuntcompensatie (minder blauw vergroot de hoeveelheid geel).
EXIT		Het menu sluiten.

\* Alleen voor kleurentoetsing van de camera.

\*\* De compensatie van het witpunt hoeft alleen in speciale omgevingen te worden aangepast.

## Installer-instellingen

### Menu Install

Functie	Selectie	Beschrijving
SET FOCUS NOW		Het objectief instellen om de iris volledig te openen. De objectieffocus nu instellen.
COMM	ON, OFF	Bilinx-communicatie ON/OFF (Aan/uit).
HEATER	AUTO, OFF	Selecteer AUTO om de thermostatisch geregelde verwarmingsfunctie te activeren.
DEFAULTS	Kies submenu	Hiermee worden de fabriekswaarden hersteld voor alle instellingen.
EXIT		Het menu sluiten.

Het DC-irisobjectief instellen:

1. Draai de vergrendelingsschroef van de focus los.
2. In het menu is nu SET BACK FOCUS NOW gemarkeerd.
3. Draai aan de focusing voor de vereiste instelling.
4. Draai de vergrendelingsschroef van de focus vast.
5. Sluit de menuselectie af.

### Submenu Defaults

Functie	Selectie	Beschrijving
ALL DEFAULTS		Hiermee herstelt u de fabrieksinstellingen. Er verschijnt een bevestigingsscherm. Na de reset moet u de camera 5 seconden de tijd geven om het beeld te optimaliseren.
EXIT		Het menu sluiten.

### Externe camerabesturing

Deze camera is voorzien van een tranceiver voor coaxiale communicatie. In combinatie met VP-CFGSFT kan de camera worden geregeld vanaf het beginpunt van de coaxkabel. Alle menu's kunnen op afstand worden geopend, zodat de camera volledig op afstand kan worden bediend. Het is ook mogelijk om de bedieningstoetsen op de camera op afstand te blokkeren. Om verlies van communicatie met een geïnstalleerde camera te vermijden, is het **niet** mogelijk om op afstand de functie Communication ON/OFF aan te sturen. Deze functie is alleen toegankelijk via de cameratoetsen.

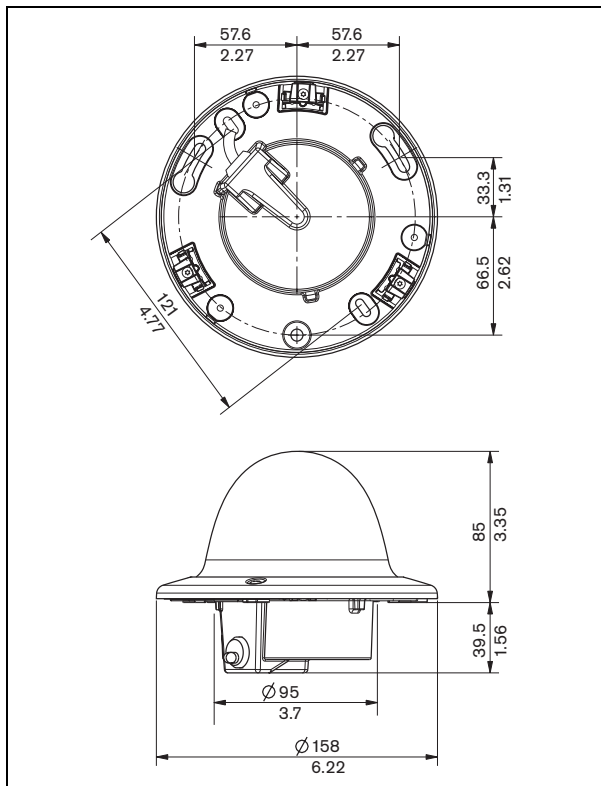
## Technische specificatie

Typenummer	VDC-455V0x-10	VDC-455V0x-20	VDC-355V0x-10	VDC-355V0x-20
Standaard	PAL	NTSC	CCIR	EIA
Actieve pixels	752 x 582	768x492	752 x 582	768x492
Min. belichting	< 1,0 lux < 0,4 lux (NightSense Aan)		< 0,2 lux	
Resolutie	540 TVL		570 TVL	
Nominale spanning	24 V AC of 12 V DC 12-28 V AC (50/60 Hz) 11-36 V DC			

### Alle versies

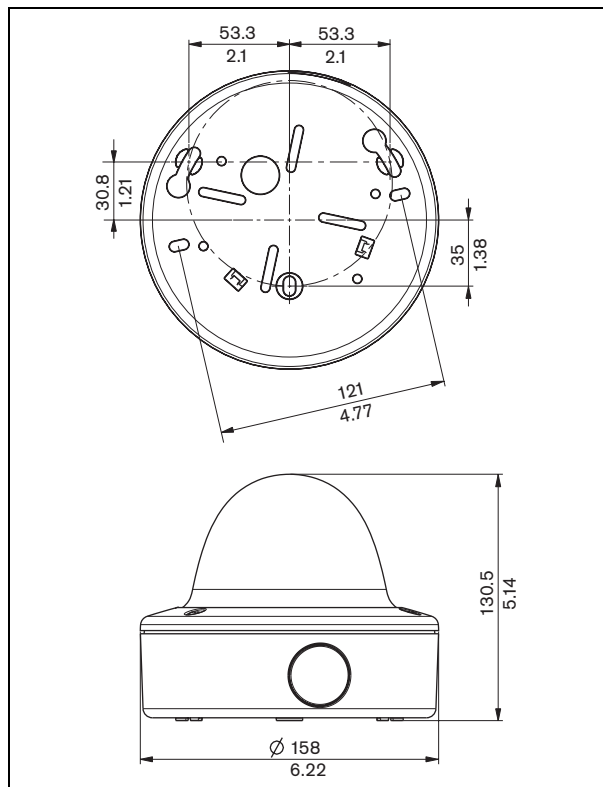
Beeldsensor	Interline CCD
SNR	> 50 dB
Video-uitgang	1 Vtt, 75 Ohm
Synchronisatie	Interne vergrendeling of fasevergrendeling
Sluiter	Keuze tussen AES (1/60 (1/50) tot 1/100000), flakkervrij
Autoblack (Autozwart)	Keuze tussen aan en uit
AGC (Automatische versterking)	Keuze tussen AGC Aan (20 dB) of Uit
Contour	Scherptevergroting
BLC	BLC (tegenlichtcompensatie) Aan of Uit
Witbalans*	Automatisch 2500 - 9000K (met AWB hold-stand)
Objectief	Geïntegreerd varifocaal met DC-iris
Stroom verbruik	< 5 W
Afmetingen	58 x 66 x 122 mm (H x B x L)
Gewicht	550 g
Bedrijfs temperatuur	-30° tot 50° C (-50° met verwarming op ingesteld op AUTO)
Regeling	OSD met tiptoetsbediening

## Afmetingen (mm)





## Afmetingen met doos voor opbouwmontage (mm/inch)



## Accessoires

### Netadapters

- TC1334 120 V AC, 60 Hz - 24 V AC, 30 VA
- TC120PS 120 V AC, 60 Hz - 15 V DC, 9 VA
- TC220PSX-24 220-240 V AC, 50/60 Hz - 24 V AC, 30 VA
- TC220PS 220-240 V AC, 50/60 Hz - 15 V DC, 9 VA

### Interfacebox:

- VP-CFGSFT Communicatie-interfacebox en software van Bilinx<sup>TM</sup>





## PRECAUZIONI PER LA SICUREZZA



### Pericolo

La freccia a forma di fulmine all'interno di un triangolo equilatero segnala la presenza nel prodotto di "tensione pericolosa" non isolata, di intensità tale da poter provocare scosse elettriche.



### Avvertenza

Il punto esclamativo all'interno di un triangolo equilatero segnala importanti istruzioni d'uso e manutenzione (assistenza) nella documentazione allegata al prodotto.



### Attenzione

Per ridurre il rischio di scosse elettriche, si consiglia di non rimuovere il coperchio (o il pannello posteriore). La manutenzione dei componenti interni non deve essere eseguita dall'utente. Richiedere assistenza a personale tecnico qualificato.

## Precauzioni importanti

1. Leggere attentamente queste istruzioni.
2. Conservare queste istruzioni.
3. Attenersi a tutte le avvertenze.
4. Seguire tutte le istruzioni.
5. Non utilizzare quest'attrezzatura in prossimità di acqua.
6. Pulire solo con un panno asciutto.
7. Non ostruire le aperture di ventilazione. Installare secondo le istruzioni del produttore.
8. Non installare l'unità in prossimità di fonti di calore come radiatori, termoconvettori, fornelli od altri apparecchi (inclusi amplificatori) che producono calore.

9. Non danneggiare il polo di sicurezza della spina polarizzata o dotata di messa a terra. La spina polarizzata ha due poli, di cui uno più largo dell'altro. La spina dotata di messa a terra ha due poli più un terzo polo per la messa a terra. Il polo largo od il terzo polo servono per garantire la sicurezza dell'utente. Se la spina in dotazione non entra nella presa, contattare un elettricista.
10. Proteggere il cavo di alimentazione evitando che venga calpestato o schiacciato, prestando particolare attenzione alle spine, alle scatole di derivazione ed al punto in cui fuoriescono dall'apparecchio.
11. Utilizzare esclusivamente attacchi/accessori specificati dal produttore.
12. Scollegare l'apparecchio durante temporali o se non viene utilizzato per lunghi periodi di tempo.
13. Richiedere sempre l'intervento di personale tecnico qualificato per eventuali riparazioni. E necessario richiedere un intervento di assistenza qualora il prodotto riporti dei danni (ad esempio, al cavo o alla spina di alimentazione), in caso di penetrazione di liquidi o oggetti all'interno dell'apparecchiatura, malfunzionamento o caduta accidentale.
14. Un interruttore onnipolare con separazione dei contatti di almeno 3 mm in ciascun polo verrà incorporato nell'impianto elettrico dell'edificio.



## Attenzione

L'unità di alimentazione a bassa tensione deve essere conforme allo standard di sicurezza EN/UL 60950. L'alimentazione deve essere un'unità SELV-LPS o SELV di Classe 2 (Safety Extra Low Voltage a corrente limitata).

## Informazioni FCC

Questa apparecchiatura è stata collaudata e ritenuta conforme ai limiti stabiliti per i dispositivi digitali della Classe B, ai sensi del Comma 15 delle normative FCC. Questi limiti sono stabiliti per fornire un grado di protezione adeguato contro le interferenze dannose in installazioni domestiche. L'apparecchiatura genera, utilizza e può irradiare energia in radiofrequenza e, se non installata ed utilizzata in conformità alle istruzioni, può causare interferenze dannose alle comunicazioni radio. Non è comunque garantita l'assenza di interferenze in alcune installazioni. Qualora l'apparecchiatura dovesse provocare interferenze nella ricezione radiotelevisiva, cosa che si può verificare spegnendo e riaccendendo l'apparecchio, si consiglia di eliminare l'interferenza in uno dei seguenti modi:

- Riorientare e riposizionare l'antenna ricevente.
- Aumentare la distanza tra l'apparecchiatura e il ricevitore.
- Collegare l'apparecchiatura ad una presa di un circuito diverso da quello a cui è collegato il ricevitore.
- Per l'assistenza, rivolgersi al rivenditore o a un tecnico radio/TV esperto.

### Nota

Eventuali modifiche dell'apparecchiatura non espressamente approvate da Bosch potrebbero invalidare il diritto dell'utente all'uso della stessa. Per ulteriori informazioni o per parlare direttamente con un agente, rivolgersi alla sede Bosch Security Systems più vicina o visitare il nostro sito Web all'indirizzo [www.boschsecuritysystems.com](http://www.boschsecuritysystems.com).

## Introduzione

La telecamera FlexiDome<sup>XT+</sup> è una cupola di sorveglianza ad alto livello di sicurezza, di piccole dimensioni, discreta e dotata di un dispositivo CCD ad alte prestazioni da 1/3" con obiettivo varifocal integrato. L'unità può essere montata in una cassetta elettrica, a muro o sul soffitto. La struttura solida e la cupola in policarbonato altamente resistente proteggono il modulo della telecamera da eventuali danni.

La tecnica di elaborazione dei segnali digitali avanzata garantisce eccezionali prestazioni di ripresa in tutte le condizioni di illuminazione. FlexiDome<sup>XT+</sup>, facile da installare e pronta per l'uso, offre la migliore soluzione per le condizioni di ripresa più impegnative.

### Caratteristiche:

- Cupola resistente
- Custodia anti-manomissione
- NightSense™
- Messa a fuoco ausiliare
- Gestione Bilinx™ su cavo coassiale

La telecamera FlexiDome<sup>XT+</sup> è disponibile nelle versioni a colori e monocromatica.



## Descrizione codici

FlexiDome<sup>XT+</sup> monocromatica

Modello	VDM-355V03-10	VDM-355V04-10	VDM-355V03-20	VDM-355V04-20
Obiettivo	Varifocal 2,6-6 mm F1,4-360	Varifocal 3,7-12 mm F1,6-360	Varifocal 2,6-6 mm F1,4-360	Varifocal 3,7-12 mm F1,6-360
Standard	CCIR		EIA	
Tensione	24 VAC, 50 Hz o 12 VDC		24 VAC, 60 Hz o 12 VDC	
Tipo CCD	1/3"			

FlexiDome<sup>XT+</sup> a colori

Modello	VDC-455V03-10	VDC-455V04-10	VDC-455V03-20	VDC-455V04-20
Obiettivo	Varifocal 2,6-6 mm F1,4-360	Varifocal 3,7-12 mm F1,6-360	Varifocal 2,6-6 mm F1,4-360	Varifocal 3,7-12 mm F1,6-360
Standard	PAL Colore		NTSC Colore	
Tensione	24 VAC, 50 Hz o 12 VDC		24 VAC, 60 Hz o 12 VDC	
Formato CCD	1/3"			

## Disimballaggio

Disimballare e maneggiare l'apparecchiatura con cautela. La confezione contiene:

- Telecamera FlexiDome integrata
- Kit di installazione
- Cacciavite speciale per viti anti-manomissione
- Tappo per la regolazione dell'obiettivo
- Manuale d'installazione

### Nota

Se l'apparecchiatura ha subito danni durante il trasporto, imballarla nuovamente nella confezione originale e contattare il corriere o il rivenditore.

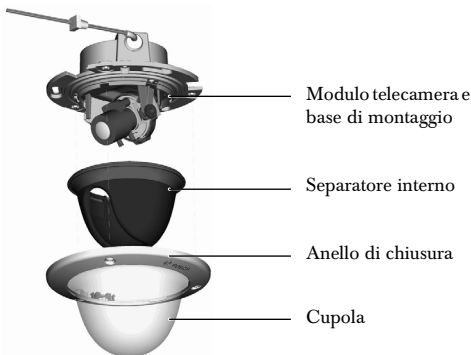


## Attenzione

L'installazione deve essere effettuata esclusivamente da personale qualificato nel rispetto del NEC (National Electrical Code) o delle normative locali vigenti.

## Smontaggio

L'unità telecamera/alloggiamento è costituita dai seguenti componenti:



## Attenzione

Il modulo della telecamera è un dispositivo delicato e deve essere maneggiato con cautela. Non fare cadere il dispositivo quando si smonta l'unità.

Per smontare l'unità, procedere nel modo seguente:

- Usando il cacciavite speciale, allentare le viti anti-manomissione sull'anello di chiusura (le viti rimangono in posizione).
- Rimuovere l'anello di chiusura con la cupola estraendolo dalla base.
- Rimuovere il separatore interno estraendolo dalla base.

## Montaggio dell'unità

L'unità può essere montata in vari modi a seconda del tipo di superficie, se si usa una cassetta elettrica e se il collegamento viene effettuato sul pannello posteriore o laterale (montaggio su superficie).



### Attenzione

L'installazione deve essere effettuata esclusivamente da personale qualificato nel rispetto del National Electrical Code (NEC) o delle normative locali vigenti.

Se l'unità è installata in superficie, utilizzare la base di montaggio disponibile separatamente (VDA-455SMB) e montare l'unità su questa base.

#### Suggerimento

- Fare riferimento al disegno con le dimensioni per trovare l'esatta posizione dei fori per le viti e del foro per il passaggio del cavo.
- Avvitare parzialmente le due viti nelle scanalature e usarle per sostenere temporaneamente la telecamera mentre si effettuano i collegamenti.

Le seguenti illustrazioni mostrano le diverse modalità di montaggio dell'unità.

Figura 1 Collegamento posteriore - Superficie concava

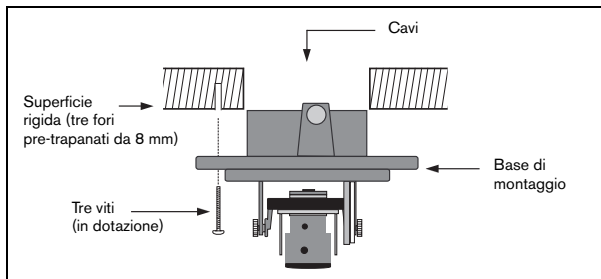


Figura 2 Collegamento ad una cassetta elettrica (S4)

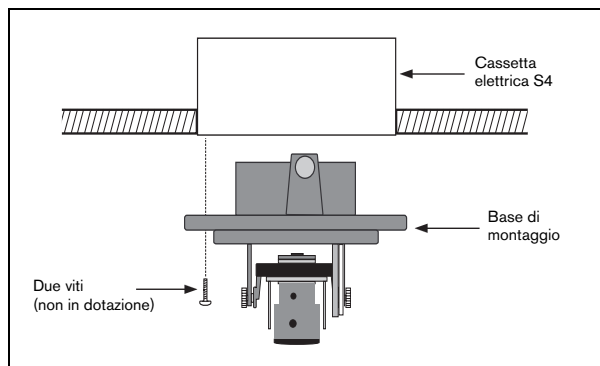


Figura 3 Montaggio su superficie - Collegamento laterale

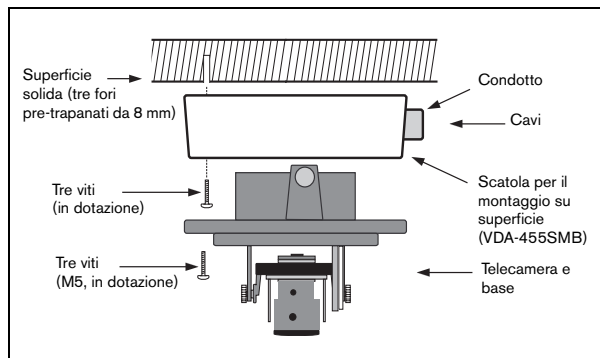
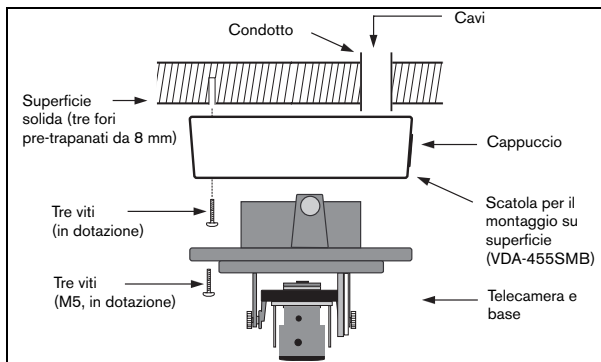


Figura 4 Montaggio su superficie - Collegamento posteriore



### Montaggio su superficie

Quando si usa la scatola per il montaggio su superficie:

- Se si effettua un collegamento laterale, rimuovere il tappo che copre l'apertura laterale.  
Se si effettua un collegamento posteriore, lasciare il tappo in posizione.
- Collegare il condotto alla scatola di montaggio.
- Sganciare le due clip situate sulla parte inferiore del vano di collegamento a tenuta stagna per rimuoverlo dalla scatola di montaggio.
- Aprire il coperchio del vano a tenuta stagna della scatola di montaggio sganciando le 5 clip.
- Inserire i cavi di alimentazione e video nel vano a tenuta stagna, attraverso gli anelli di tenuta in gomma separati.
- Far scorrere il cavo dalla telecamera fin dentro il vano a tenuta stagna attraverso l'anello di tenuta in dotazione.
- Effettuare il collegamento all'interno del vano a tenuta stagna e chiudere il coperchio con le clip.

### Nota

Per garantire una tenuta stagna, usare cavi circolari di dimensione compresa tra 5 e 6 mm per i collegamenti video e di alimentazione. Applicare dello spray al silicone sul cavo per facilitare lo scorrimento degli anelli di tenuta.

## Collegamento nelle applicazioni per esterni

### Norme di sicurezza:

**Messa a terra del cavo coassiale:** se all'unità è collegato un sistema via cavo esterno, accertarsi che il sistema disponga di messa a terra. Solo per i modelli U.S.A.: il "National Electrical Code, Sezione 810, ANSI/NFPA n. 70" fornisce le informazioni relative a un'adeguata messa a terra della struttura e del sostegno, al collegamento del cavo coassiale a un dispersore, alle dimensioni dei conduttori di messa a terra, all'ubicazione del dispersore, al collegamento agli elettrodi di messa a terra e ai requisiti degli elettrodi di messa a terra. e requisiti degli elettrodi di messa a terra.

**Linee elettriche:** non collocare un sistema per esterni in prossimità di linee elettriche sospese, luci elettriche, circuiti di alimentazione. Durante l'installazione di un sistema per esterni, è necessario prestare la massima attenzione al fine di evitare il contatto con tali linee o circuiti elettrici poiché ciò potrebbe avere conseguenze letali. Solo per i modelli U.S.A.: fare riferimento all'Articolo 820 del NEC riguardo all'installazione dei sistemi CATV.

**Alimentatore a 24 VAC:** l'unità è stata realizzata per funzionare con un alimentatore a corrente limitata che deve essere conforme alla normativa EN60950. Per le unità con alimentazione a 24 VAC, la tensione nominale è compresa tra 12 VAC e 28 VAC. La massima tensione applicabile non deve essere superiore a 28 VAC. La linea di alimentazione a 24 VAC deve essere conforme ai codici elettrici (livelli di alimentazione di Classe 2). Non effettuare la messa a terra dell'alimentazione a 24 VCA in corrispondenza della morsettiera o dei terminali di alimentazione dell'unità.

**Collegamento:** l'unità è dotata di terminali di collegamento su fili volanti. Per le installazioni in ambienti umidi o in esterni utilizzare la scatola di montaggio VDA-455SMB o una scatola per fili con livello di protezione Nema3, IP55 o superiore. Effettuare i collegamenti all'interno del vano a tenuta stagna. Al termine dell'operazione, verificare che il vano a tenuta stagna sia chiuso ermeticamente e che fili e condotti siano opportunamente sigillati per impedire l'entrata di acqua.



VDA-455SMB

## Collegamento e configurazione

### Collegamenti video e di alimentazione

Il cablaggio preassemblato è dotato di un connettore BNC compatibile con il cavo video coassiale (con connettore BNC maschio) e di due cavi spelati a bassa tensione che consentono il collegamento ad un connettore di alimentazione. (È disponibile come accessorio un adattatore UTP che consente il collegamento di un cavo video UTP al connettore BNC).



#### Attenzione

Prima di procedere, assicurarsi di scollegare l'alimentazione dal cavo che si desidera installare nell'unità. Verificare che l'unità disponga del tipo di tensione appropriato per l'alimentazione di linea che si desidera usare.

Il modo più semplice per collegare le linee di alimentazione a bassa tensione e il collegamento video viene descritto di seguito:

- Inserire i cavi nel foro in superficie in modo da sostenerli in modo ordinato.
- Inserire parzialmente le due viti nei fori pre-trapanati.
- Tramite le scanalature, sostenere temporaneamente la base di montaggio con una vite e inclinare leggermente la base per accedere ai collegamenti dei cavi.
- Collegare il connettore BNC del modulo della telecamera al cavo video coassiale.
- Collegare i cavi di alimentazione spelati al connettore di alimentazione.

#### Nota

La polarità non è importante per l'alimentazione a corrente continua. Nel caso di alimentazione a corrente alternata, cercare di mantenere una polarità costante dei cavi in sistemi con più telecamere per evitare il salto di quadro durante la commutazione.

- In ambienti umidi, accertarsi che i collegamenti siano ermetici. (A tal fine, la scatola per il montaggio su superficie dispone di un vano ermetico).
- Spingere i collegamenti attraverso il foro del cavo di superficie.
- Assicurare la base di montaggio alla superficie con le tre viti.

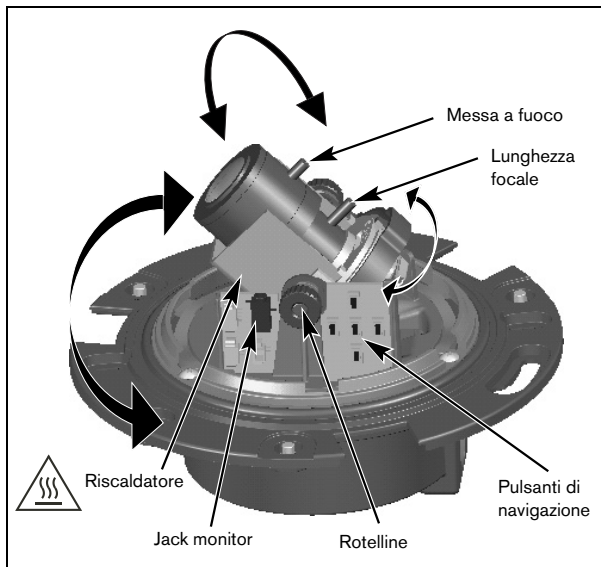
## Configurazione della telecamera



### Avvertenza: superficie rovente

Durante il funzionamento il riscaldatore è **CALDO - NON TOCCARE**. Quando si maneggia la telecamera, tenere sempre **SPENTO** il riscaldatore. Per le istruzioni, fare riferimento al menu Installer (Installatore). Consultare la sezione Struttura dei menu.

Per allestire la fotocamera, è possibile collegare un monitor alla presa del jack da 2,5 mm sulla scheda del circuito stampato. Questa presa fornisce un segnale video composito (con sincronizzazione). Per stabilire questo collegamento, è disponibile un cavo opzionale (modello S1460).





## Posizionamento della telecamera

Per impostazione predefinita, la telecamera deve essere posizionata in modo che la parte superiore dell'immagine corrisponda all'indicazione TOP.



### Attenzione

I sensori dell'immagine CCD sono altamente sensibili e richiedono una cura particolare per garantire prestazioni adeguate ed una lunga durata. Non esporre i sensori alla luce diretta del sole od a condizioni di luminosità intensa in situazioni operative e non operative. Evitare di inquadrare luci intense nel campo visivo della telecamera.

È possibile regolare la posizione del modulo della telecamera lungo tre assi. Durante la regolazione della posizione della telecamera, assicurarsi che lo schermo del monitor sia a livello. Impostare la telecamera nella posizione desiderata attenendosi alla seguente procedura:

- Per la regolazione orizzontale (panoramica), ruotare il modulo della telecamera nella base. Non ruotare il modulo oltre 360°.
- Per la regolazione verticale (inclinazione), allentare le viti ad alette, posizionare la telecamera e stringere leggermente le viti per assicurare la telecamera.
- Per ottenere un orizzonte orizzontale (in caso di soffitti inclinati o montaggio sulla superficie laterale), ruotare la base della lente in modo da allineare l'immagine visualizzata sul monitor. Non ruotare il modulo oltre 340°.

## Messa a fuoco e lunghezza focale

Prima di effettuare la regolazione, coprire la lente con il tappo per garantire la medesima nitidezza delle immagini assicurata dalla cupola.

- Per impostare il campo visivo della lente a distanza focale variabile, allentare la vite della lunghezza focale e girare il meccanismo fino a quando l'inquadratura desiderata non viene visualizzata sul monitor (l'immagine risulta sfocata).
- Mettere a fuoco l'immagine sul monitor allentando l'apposita vite e girando il meccanismo fino a quando l'immagine è a fuoco.
- Se necessario, modificare l'impostazione della lunghezza focale.
- Ripetere queste regolazioni fino a quando l'inquadratura desiderata non risulta a fuoco.
- Avvitare le due viti.

Rimuovere il tappo di regolazione dell'obiettivo e il jack di controllo.

## Riscaldatore

Quando si utilizza la telecamera a basse temperature, nel menu Installer impostare l'opzione relativa al riscaldatore su "Auto" (vedere Struttura dei menu).

## Chiusura dell'unità

Una volta posizionata la telecamera ed eseguite tutte le regolazioni, chiudere l'unità.

- Inserire in posizione il separatore interno allineando la sua aletta sulla staffa della base.
- Collocare la cupola sulla base e ruotarlo finché non assume una posizione fissa. (Se necessario, pulirne la superficie usando un panno morbido).
- Installare l'anello a tenuta e l'anello di chiusura sulla cupola.
- Allineare le viti anti-manomissione nell'anello di chiusura ai fori filettati della base di montaggio.
- Utilizzare lo speciale cacciavite in dotazione per avvitare le tre viti anti-manomissione.

## Impostazioni avanzate

La telecamera FlexiDome<sup>XT+</sup> effettua normalmente riprese ottimali senza bisogno di ulteriori regolazioni. Tuttavia, sono disponibili impostazioni avanzate che consentono di ottenere prestazioni ottimali in condizioni particolari. I menu principali sono il menu **Mode** e il menu **Installer**.

Il menu **Main** consente di selezionare ed impostare le funzioni di miglioramento dell'immagine per ciascuna modalità. Se non si è soddisfatti delle modifiche apportate, è sempre possibile ripristinare i valori predefiniti di fabbrica.

Nel menu **Installer** è possibile specificare le impostazioni per l'installazione.

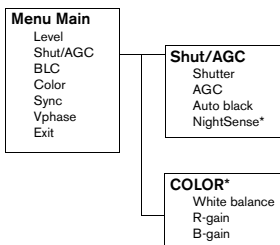
I menu **Mode** e **Installer** contengono funzioni dirette o menu secondari per la definizione di impostazioni avanzate.

## Accesso e navigazione dei menu

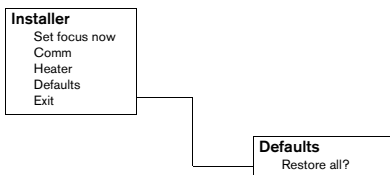
Cinque tasti consentono di navigare nei diversi menu. Per accedere ai menu, premere il tasto centrale menu/selezione. Il menu principale viene visualizzato a video (OSD). Usare i tasti freccia per la navigazione.

Quando il collegamento di comunicazione Bilinx<sup>TM</sup> è attivo, i pulsanti sulla telecamera sono disabilitati. È possibile impostare Bilinx<sup>TM</sup> in modo che i pulsanti della telecamera siano disabilitati anche quando Bilinx<sup>TM</sup> non sta attivamente controllando la telecamera. In tal modo si prevencono eventuali modifiche non autorizzate alle impostazioni della telecamera.

## Struttura dei menu

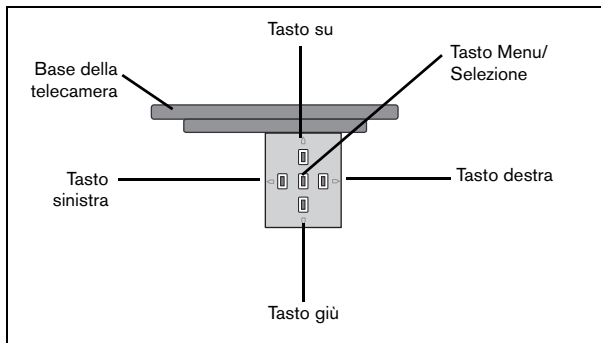


\* Solo per la versione a colori della telecamera.



## Come accedere ai menu

### Uso dei 5 tasti



- Premere il pulsante menu/selezione per accedere ai menu e per spostarsi al menu precedente od a quello successivo.
- Premere e tenere premuto per circa 1,5 secondi il tasto menu/selezione per accedere al menu **Installer**.
- Premere i pulsanti freccia su/giù per scorrere il menu verso l'alto o verso il basso.
- Premere i pulsanti freccia sinistra/destra per spostarsi tra le opzioni o le impostazioni.
- All'interno di un menu, premere 2 volte in rapida successione il tasto menu/selezione per ripristinare i valori predefiniti della voce selezionata.
- Per chiudere tutti i menu aperti, selezionare **Exit** e tenere premuto il tasto menu/selezione finché il menu non viene chiuso.

## Menu Main

Funzione	Selezione	Descrizione
LEVEL	-15 - 0 - +15	Selezionare per regolare il livello dell'uscita video.
SHUT/AGC	Vedi sottomenu	Selezionare per accedere ai menu Shutter e Automatic Gain Control.
BLC	ON, OFF	Se BLC è impostato su ON, il livello del video viene ottimizzato in base all'area dell'immagine selezionata. Le zone esterne a quest'area potrebbero risultare sottoesposte o sovraesposte (si tratta di una condizione normale).
COLOR*	ATW ATB HOLD Vedi sottomenu	Selezionare per accedere al menu di controllo del colore.
SYNC	LINE LOCK INTERNAL	Selezionare LINE LOCK per un funzionamento bloccato alla frequenza di alimentazione. Selezionare INTERNAL per un funzionamento con sincronizzazione interna (selezionato automaticamente con l'alimentazione DC).
VPHASE	0, 2, ... 358°	Consente di regolare l'offset della fase verticale (in modalità LINE LOCK e con una frequenza di alimentazione valida rilevata).
EXIT		Selezionare per uscire dal menu.

\* Solo nella versione a colori della telecamera. Se la telecamera a colori è in modalità monocromatica, tutte le opzioni di menu relative al colore sono disattivate e pertanto inaccessibili.

## Sottomenu Shutter/AGC

Funzione	Selezione	Descrizione
SHUTTER	AES, FL	<ul style="list-style-type: none"> <li>• AES (otturatore automatico) - regolazione automatica della velocità ottimale dell'otturatore.</li> <li>• FL - modalità senza flicker che consente di evitare interferenze da parte di sorgenti di luce (solo per ottiche Video Iris e DC Iris).</li> </ul>
AGC	ON/OFF	Controllo guadagno automatico.
Autoblack	ON/OFF	La funzione Autoblack incrementa automaticamente la visibilità dei dettagli.

NIGHTSENSE*	AUTO FORCED OFF	Nightsense™ estende le prestazioni della telecamera in condizioni di scarsa illuminazione. <ul style="list-style-type: none"> <li>• In modalità AUTO, la telecamera passa automaticamente in monocromia in condizioni di scarsa illuminazione.</li> <li>• In modalità FORCED, la telecamera rimane in monocromia.</li> </ul>
EXIT		Selezionare per uscire dal menu.

\* Solo nella versione a colori della telecamera.

### Nota

Se la funzione NightSense™ è attiva, è possibile che l'immagine risulti disturbata o presenti delle macchie.

Se la telecamera a colori è in modalità monocromatica, tutte le opzioni di menu relative al colore sono disattivate e pertanto inaccessibili.

### Sottomenu Color\*

Funzione	Selezione	Descrizione
WHITE BALANCE	ATW AWB HOLD	<ul style="list-style-type: none"> <li>• ATW: il bilanciamento automatico del bianco consente alla telecamera di eseguire regolazioni costanti del colore per una riproduzione ottimale.</li> <li>• AWB HOLD: salvataggio delle impostazioni dei colori, la funzione ATW è disabilitata.</li> </ul>
RED gain**	-5 - 0 - +5	Bilanciamento predefinito dell'allineamento del punto bianco (riducendo il rosso si introduce più ciano).
BLUE gain**	-5 - 0 - +5	Bilanciamento predefinito dell'allineamento del punto bianco (riducendo il blu si introduce più giallo).
EXIT		Selezionare per uscire dal menu.

\* Solo nella versione a colori della telecamera.

\*\* Occorre modificare il bilanciamento del punto bianco solo in condizioni speciali.

## Impostazioni di installazione

### Menu Installer

Funzione	Selezione	Descrizione
SET FOCUS NOW		Consente di aprire completamente l'iris dell'obiettivo. Regola la messa a fuoco dell'obiettivo.
COMM	ON, OFF	Comunicazione Bilinx ON/OFF.
Heater	AUTO, OFF	Selezionare AUTO per abilitare la funzione del riscaldatore con controllo termostatico.
DEFAULTS	Vedi sottomenu	Ripristina le impostazioni predefinite per tutte le modalità.
EXIT		Selezionare per uscire dal menu.

Procedura di regolazione degli obiettivi con DC Iris:

1. Sbloccare la vite di blocco della messa a fuoco.
2. Accedere al sottomenu SET BACK FOCUS NOW.
3. Regolare la messa a fuoco come necessario.
4. Stringere la vite di blocco della messa a fuoco.
5. Uscire dal menu.

### Sottomenu Defaults

Funzione	Selezione	Descrizione
ALL DEFAULTS		Selezionare per ripristinare le impostazioni predefinite. Viene visualizzata una schermata di conferma. Attendere 5 secondi per consentire alla telecamera di ottimizzare l'immagine dopo il ripristino dei valori predefiniti.
EXIT		Selezionare per uscire dal menu.

### Comunicazione per il controllo della telecamera

La telecamera include un ricetrasmittitore su coassiale. Se usata con box interfaccia VP-CFGSFT, la telecamera può essere regolata dall'estremità del cavo coassiale. È possibile accedere a tutti i menu in remoto ed avere il controllo totale della telecamera. Con questo tipo di comunicazioni è inoltre possibile disattivare i pulsanti sulla telecamera. Per evitare di perdere la comunicazione con una telecamera installata, la selezione Communication ON/OFF **non** è disponibile quando si usa il controllo remoto. È possibile accedere a questa funzione solo tramite i pulsanti sulla telecamera.



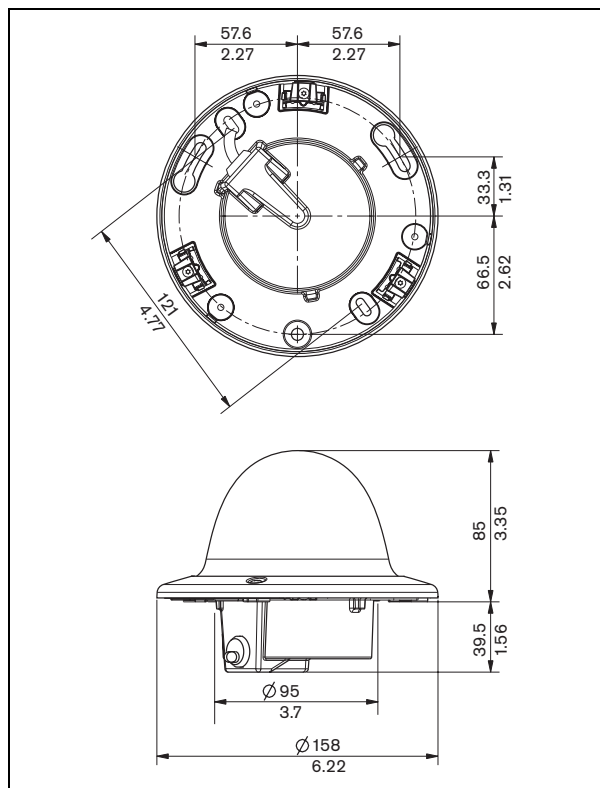
## Caratteristiche tecniche

Modello	VDC-455V0x-10	VDC-455V0x-20	VDC-355V0x-10	VDC-355V0x-20
Standard	PAL	NTSC	CCIR	EIA
Pixel attivi	752x582	768x492	752x582	768x492
Illuminazione min	< 1,0 lux < 0,4 lux (NightSense attivato)		< 0,2 lux	
Risoluzione	540 TVL		570 TVL	
Tensione nominale di alimentazione	24 VAC o 12 VDC 12-28 VAC (50/60 Hz) 11-36 VCC			

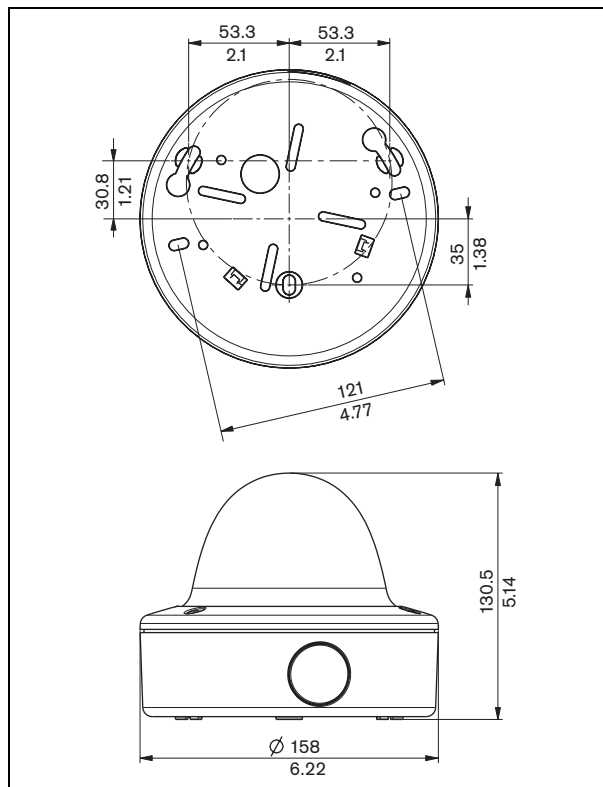
### Tutte le versioni

Sensore immagine	CCD a trasferimento di linea
SNR	> 50 dB
Uscita video	1 Vpp, 75 Ohm
Sincronizzazione	Internal o Line-Lock selezionabile
Shutter	AES (da 1/60 (1/50) a 1/100000), senza flicker selezionabile
Auto black	On/Off (selezionabile)
AGC	AGC On (20 dB) o Off selezionabile
Contour	Incremento della nitidezza
BLC	Possibilità di attivare/disattivare BLC
Bilanciamento del bianco*	Automatico da 2500 a 9000 K (in modalità AWB hold)
Obiettivo	Varifocal integrato con DC Iris
Consumo energetico	< 5 W
Dimensioni	58 x 66 x 122 mm (AxPxL)
Peso	550 g
Temperatura di esercizio	da -30° a 50° C (-50° con la funzione AUTO del riscaldatore abilitata)
Comandi	OSD con operazioni softkey

## Dimensioni in mm



## Dimensioni con la scatola per il montaggio su superficie (mm/pollici)



## Accessori

### Trasformatori

- TC1334 120 VAC, 60 Hz - 24 VAC, 30 VA
- TC120PS 120 VAC, 60 Hz - 15 VDC, 9 VA
- TC220PSX-24 220-240 VAC, 50/60 Hz - 24 VAC, 30 VA
- TC220PS 220-240 VAC, 50/60 Hz - 15 VDC, 9 VA

### Box interfaccia:

- VP-CFGSFT Software e box interfaccia per comunicazioni Bilinx<sup>TM</sup>





## PRECAUÇÕES DE SEGURANÇA



### Perigo

O símbolo de relâmpago com ponta de seta enquadrado por um triângulo equilátero destina-se a alertar o utilizador para a existência de “tensão perigosa” não isolada na caixa do produto que pode ser suficientemente elevada para constituir um risco para as pessoas.



### Aviso

O ponto de exclamação dentro de um triângulo equilátero destina-se a alertar o utilizador para a presença de instruções de funcionamento e manutenção (assistência técnica) importantes na literatura fornecida com o equipamento.



### Atenção

Para reduzir o risco de choques eléctricos, não retire a tampa (ou a parte de trás). No interior do equipamento, não existem quaisquer peças que possam ser reparadas pelo utilizador. A assistência só pode ser prestada por técnicos qualificados.

## Medidas de segurança importantes

1. Leia estas instruções.
2. Guarde estas instruções.
3. Tenha em atenção todos os avisos.
4. Siga todas as instruções.
5. Não utilize este equipamento junto de água.
6. Limpe-o apenas com um pano seco.
7. Não obstrua os orifícios de ventilação. Proceda à instalação, de acordo com as instruções do fabricante.
8. Não instale o aparelho junto de fontes de calor como, por exemplo, aquecedores, fogões, nem de outro tipo de equipamento (incluindo amplificadores) que produza calor.

9. Não ignore o objectivo de segurança da ficha polarizada ou de ligação à terra. Uma ficha polarizada tem duas lâminas, sendo uma mais larga do que a outra. Uma ficha de ligação à terra tem duas lâminas e um perno para ligação à terra. A lâmina grande e o terceiro perno destinam-se a proporcionar segurança. Se a ficha fornecida não for compatível com as tomadas disponíveis, informe-se junto de um electricista.
10. Proteja o cabo de alimentação, de forma a que não seja pisado ou esmagado, especialmente junto às fichas, em organizadores de ligações e junto ao ponto de saída do equipamento.
11. Utilize apenas ligações/acessórios especificados pelo fabricante.
12. Desligue este equipamento da tomada durante tempestades ou quando não for utilizado durante longos períodos de tempo.
13. A assistência só pode ser prestada por técnicos qualificados. Recorra aos serviços de assistência técnica quando o equipamento sofrer qualquer tipo de danos, como um cabo de alimentação ou ficha danificados, se tiverem sido derramados líquidos ou se tiverem caído objectos para dentro do equipamento.
14. A instalação eléctrica do edifício deve estar equipada com um comutador de corrente multipolar com uma separação de contacto de, pelo menos, 3 mm em cada pólo.



### Atenção

A fonte de alimentação de baixa tensão tem de estar conforme a norma EN/UL 60950. A fonte de alimentação tem de ser uma unidade SELV-LPS ou SELV - Classe 2 (extra-baixa tensão de segurança - fonte de alimentação limitada).



## Informações da FCC

O presente aparelho foi testado e declarado em conformidade com os limites dos dispositivos digitais de Classe B nos termos do artigo 15.º das normas FCC. Estes limites destinam-se a fornecer uma protecção razoável contra interferências prejudiciais numa instalação residencial. Este equipamento gera, utiliza e pode irradiar energia de radiofrequência e, se não for instalado e utilizado de acordo com as instruções, pode provocar interferências prejudiciais nas radiocomunicações. No entanto, não garantimos que a interferência não ocorra em instalações específicas. Se este equipamento provocar interferências na recepção de rádio ou televisão, o que pode ser determinado se ligar e desligar o equipamento, recomenda-se que tente corrigir a interferência recorrendo a uma ou mais das seguintes medidas:

- Reorientar ou mudar a localização da antena receptora.
- Aumentar a distância entre o equipamento e o receptor.
- Ligar o equipamento a uma tomada de um circuito diferente do circuito ao qual o receptor está ligado.
- Consultar o revendedor ou um técnico de rádio/televisão experiente para obter ajuda.

### Nota

Qualquer alteração ou modificação do equipamento não expressamente aprovada pela Bosch pode anular a autoridade do utilizador para operar o equipamento. Para mais informações ou para contactar um representante, dirija-se ao agente da Bosch Security Systems mais próximo ou visite o nosso sítio de Internet em [www.boschsecuritysystems.com](http://www.boschsecuritysystems.com)

## Introdução

A câmara FlexiDome<sup>XT+</sup> é uma dome de vigilância de alta segurança, pequena e discreta, que contém uma câmara CCD de 1/3 pol. de elevado desempenho com objectiva varifocal integrada. A unidade integrada é montada numa caixa eléctrica, numa parede ou no tecto. A construção robusta e a dome de policarbonato de alta resistência ao impacto protegem o módulo da câmara contra danos.

A câmara incorpora um sistema avançado de processamento de sinais digitais para obtenção de imagens de excelente qualidade em todas as condições de luminosidade. A câmara FlexiDome<sup>XT+</sup> é fácil de instalar e está pronta a utilizar, oferecendo a melhor solução nas condições mais exigentes.

As funcionalidades incluem:

- Dome resistente a impactos
- Caixa resistente a sabotagem
- NightSense™
- Ajuda de focagem da objectiva
- Comunicações coaxiais Bilinx™ bidireccionais

A câmara FlexiDome<sup>XT+</sup> está disponível nas versões policromática e monocromática.

## Visão geral dos tipos

FlexiDome<sup>XT+</sup> monocromática

Tipos	VDM-355V03-10	VDM-355V04-10	VDM-355V03-20	VDM-355V04-20
Lente	Varifocal 2,6-6 mm F1.4-360	Varifocal 3,7-12 mm F1.6-360	Varifocal 2,6-6 mm F1.4-360	Varifocal 3,7-12 mm F1.6-360
Standard	CCIR		EIA	
Tensão de alimentação	24 Vac, 50 Hz ou 12 Vdc		24 Vac, 60 Hz ou 12 Vdc	
Tipo CCD	1/3 pol.			

FlexiDome<sup>XT+</sup> policromática

Tipos	VDC-455V03-10	VDC-455V04-10	VDC-455V03-20	VDC-455V04-20
Lente	Varifocal 2,6-6 mm F1.4-360	Varifocal 3,7-12 mm F1.6-360	Varifocal 2,6-6 mm F1.4-360	Varifocal 3,7-12 mm F1.6-360
Standard	PAL a cores		NTSC a cores	
Tensão de alimentação	24 Vac, 50 Hz ou 12 Vdc		24 Vac, 60 Hz ou 12 Vdc	
Formato CCD	1/3 pol.			

## Desembalagem

Desembale cuidadosamente e manuseie o equipamento com cuidado.

A embalagem contém:

- Câmara FlexiDome integrada
- Kit de equipamento de montagem
- Chave de parafusos especial para parafuso inviolável
- Tampa de ajuste da lente
- Manual de instalação

### Nota

Se lhe parecer que o equipamento foi danificado durante o transporte, volte a embalá-lo e avise a transportadora ou o fornecedor.

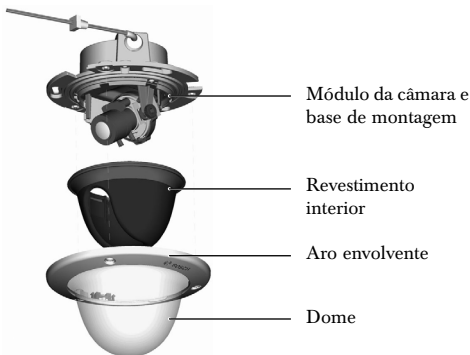


## Atenção

A instalação apenas deve ser realizada por técnicos qualificados, de acordo com o National Electrical Code (Norma Electrotécnica Norte-Americana) ou as normas locais aplicáveis.

## Desmontagem

A câmara/caixa é composta pelas seguintes peças:



## Atenção

O módulo da câmara é um dispositivo sensível e deve ser manuseado com cuidado. Não o deixe cair durante a desmontagem da unidade.

Para desmontar a unidade, proceda da seguinte forma:

- Utilize uma chave de parafusos especial, solte os três parafusos invioláveis existentes no aro envolvente (os parafusos permanecem no sítio).
- Retire o aro envolvente com a dome puxando-o para fora da base.
- Retire o revestimento interior puxando-o para fora da base.

## Montagem da unidade

A unidade pode ser montada de diversas formas, consoante o tipo de superfície e dependendo se é utilizada uma caixa eléctrica ou se a ligação é feita pela retaguarda ou pela lateral (montagem saliente).



### Atenção

A instalação apenas deve ser realizada por técnicos qualificados, de acordo com o National Electrical Code (Código eléctrico nacional) ou os códigos locais aplicáveis.

Se a unidade for montada saliente, utilize a base de montagem elevada (VDA-455SMB), disponível separadamente, e monte a unidade nesta base.

#### Sugestões

- Consulte o esquema das dimensões para determinar a posição exacta dos orifícios dos parafusos e o orifício de entrada dos fios.
- Aparafuse parcialmente dois parafusos nos entalhes em U e utilize-os para pendurar temporariamente a câmara, enquanto procede às ligações.

As figuras seguintes mostram as diferentes formas de montar a unidade.

Figura 1 Ligação pela retaguarda - superfície oca

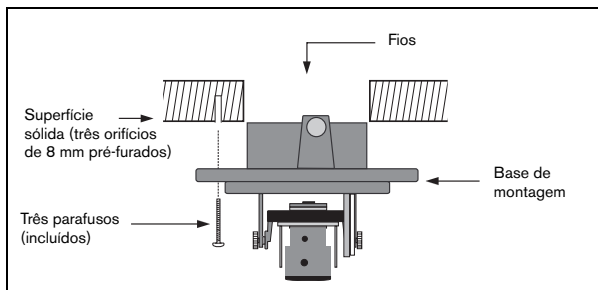


Figura 2 Ligação a uma caixa eléctrica (4S)

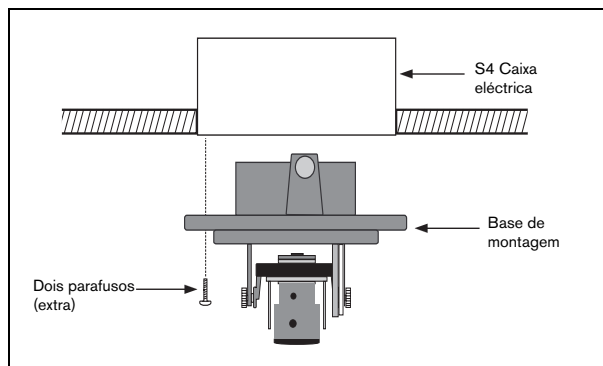


Figura 3 Montagem saliente - ligação pela lateral

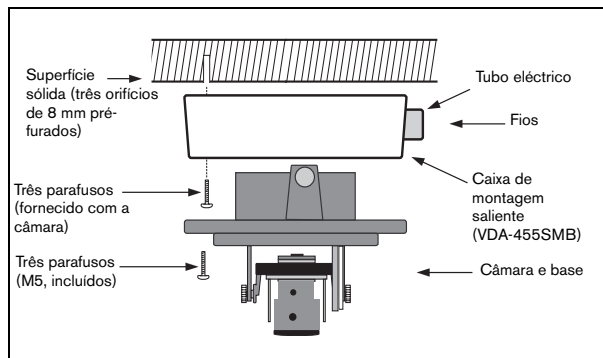
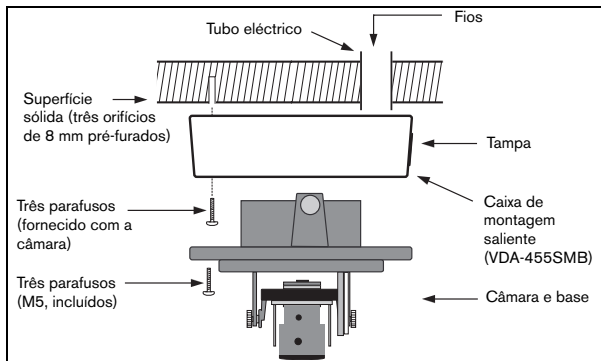


Figura 4 Montagem saliente - ligação pela retaguarda



### Montagem saliente

Se usar a caixa de montagem elevada:

- No caso de ligação pela lateral, remova a tampa que cobre a entrada lateral.  
No caso de ligação pela retaguarda, deixe a tampa no lugar.
- Ligue o tubo eléctrico à caixa de montagem.
- Solte os dois cliques no fundo do compartimento de ligação estanque para o retirar da caixa de montagem.
- Abra a tampa do compartimento estanque na caixa de montagem soltando os 5 cliques.
- Passe os fios de alimentação e vídeo por passa-fios de borracha separados até ao compartimento estanque.
- Passe o cabo da câmara para o compartimento estanque através do passa-fios fornecido.
- Faça a ligação no interior do compartimento estanque e encaixe a tampa para o selar.

### Nota

Para impedir a entrada de humidade ou água, utilize cabos redondos entre 5 a 6 mm (0,2 - 0,24 polegadas) para a ligação dos fios de alimentação e de vídeo. Aplique spray de silicone no cabo para o ajudar a deslizar pelo passa-fios.

## Ligação em aplicações ao ar livre

### Precauções de segurança:

**Ligação à terra coaxial:** Se um sistema de cabos externo estiver ligado à unidade, certifique-se de que o sistema de cabos está ligado à terra. Apenas nos modelos dos E.U.A.- A secção 810 do National Electrical Code (Norma Electrotécnica Norte-Americana), ANSI/NFPA n.º 70, proporciona informações relativas ao correcto estabelecimento de uma ligação à terra da instalação e da estrutura de suporte, ligação do cabo coaxial a uma unidade de descarga, tamanho dos condutores da ligação à terra, localização da unidade de descarga, ligação a eléctrodos de ligação à terra e requisitos do eléctrodo de ligação à terra.

**Linhas eléctricas:** Não deve existir qualquer sistema exterior próximo de linhas eléctricas aéreas, iluminação ou circuitos eléctricos, ou onde possa entrar em contacto com essas linhas ou circuitos. Ao instalar um sistema exterior, deve ter extremo cuidado para não tocar em linhas ou circuitos eléctricos, pois este contacto pode ser fatal. Apenas nos modelos dos E.U.A. - consulte o National Electrical Code (Norma Electrotécnica Norte-Americana), artigo 820. relativo à instalação de sistemas CATV.

**Fonte de alimentação de 24 Vac:** Esta unidade foi concebida para operar com uma fonte de alimentação limitada, devendo estar de acordo com a norma EN60950. Se for para operar a unidade a 24 Vac, a tensão de entrada normal situa-se entre 12 Vac a 28 Vac. A tensão aplicada à alimentação de entrada da unidade não deve exceder 28 Vac. Os cabos fornecidos pelo utilizador, entre a fonte de 24 Vac e a unidade, têm de estar de acordo com as normas electrotécnicas (níveis de corrente Classe 2). Não faça ligação à terra da fonte de 24 Vac nos bornes ou nos bornes da fonte de alimentação da unidade.

**Ligação:** A unidade tem bornes de ligação em condutores com extremidade descarnada. Em instalações húmidas ou exteriores use o acessório VDA-455SMB ou uma caixa de ligações de campo com um grau de protecção Nema3 ou IP55 ou superior. Faça as ligações no interior do compartimento estanque. Depois de efectuadas as ligações, assegure-se de que o compartimento estanque está bem fechado e que os cabos e as condutas estão correctamente selados para prevenir a entrada de água.



VDA-455SMB



## Ligação e instalação

### Ligações de alimentação e vídeo

O equipamento das cablagens possui um conector BNC para aceitar o cabo coaxial de vídeo (com conector BNC macho) e dois fios de alimentação de baixa tensão para a ligação a um conector de alimentação. (Existe um adaptador UTP disponível como acessório para permitir a ligação de um cabo de vídeo UTP ao conector BNC.)



#### Atenção

Antes de prosseguir, certifique-se de que desliga a alimentação do cabo a ser instalado na unidade. Certifique-se de que o tipo de tensão da unidade é o indicado para a linha eléctrica a ser utilizada.

A forma mais fácil de ligar as linhas eléctricas de baixa tensão e a ligação de vídeo é a seguinte:

- Passe as ligações do edifício pelo orifício dos fios da superfície, de forma a que fiquem bem visíveis.
- Introduza parcialmente dois parafusos nos orifícios pré-furados.
- Utilizando os entalhes em U, pendure temporariamente a base de montagem num parafuso e incline ligeiramente a base para aceder aos cabos.
- Ligue o conector BNC do módulo da câmara ao cabo coaxial de vídeo.
- Ligue os fios de alimentação descarnados ao conector de alimentação de corrente.

#### Nota

Para uma corrente CC, a polaridade não é importante. Para uma corrente CA, tente manter a consistência da polaridade dos fios nos diversos sistemas de câmaras para ajudar a evitar o rolamento durante a comutação.

- Em ambientes húmidos assegure-se de que as ligações ficam seladas. (A caixa de montagem saliente possui um compartimento selado para o efeito.)
- Empurre as ligações pelo orifício dos fios da superfície.
- Fixe a base de montagem à superfície com três parafusos.

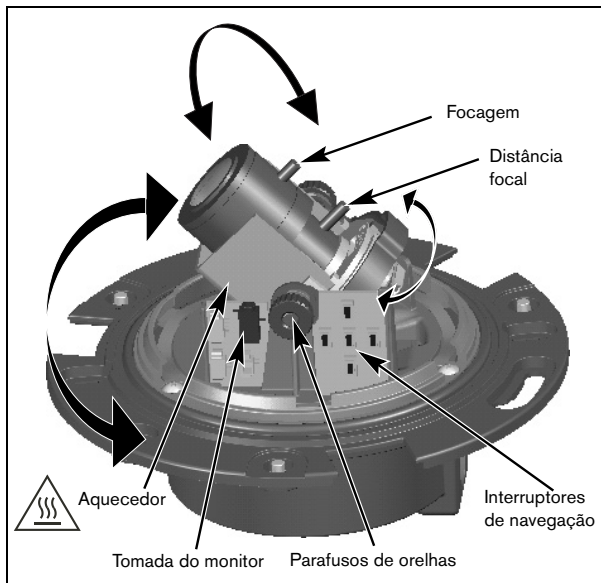
## Configuração da câmara



### Aviso: Superfície quente

O aquecedor estará **QUENTE** durante a operação - **NAO TOCAR**.  
DESLIGUE sempre o aquecedor ao trabalhar com a câmara. Consulte as instruções no menu Installer (Instalador) (ver Estrutura de menus).

Pode ligar um monitor à tomada miniatura de 2,5 mm da placa de circuito impresso, para ajudar a instalar a câmara. Esta tomada proporciona um sinal de vídeo composto (com sincronização). Existe um cabo opcional (código S1460) disponível para fazer esta ligação.



## Posicionamento da câmara

A posição física pré-definida da câmara é que o topo da imagem corresponde à indicação TOP.



### Atenção

Os detectores de imagem do CCD são altamente sensíveis e requerem um cuidado especial para um desempenho adequado e uma maior vida útil. Não os exponha à luz directa do sol ou a focos de luz intensos, tanto em condições de funcionamento como de descanso. Evite ter luzes intensas no campo de visão da câmara.

A posição do módulo da câmara pode ser ajustado ao longo de três eixos. Quando ajustar a posição da câmara, certifique-se de que a imagem visualizada no monitor está nivelada. Instale a câmara na posição pretendida, realizando os seguintes passos:

- Para o ajuste horizontal (pan), rode o módulo da câmara na base. Não rode mais de 360°.
- Para o ajuste vertical (tilt), afrouxe os parafusos de orelhas, posicione a câmara, depois aperte suavemente os parafusos de orelhas para fixar a câmara.
- Para obter um horizonte horizontal (para tectos inclinados ou montagens em paredes laterais), rode a base da lente, consoante for necessário, para alinhar a imagem visualizada no monitor. Não rode mais de 340°.

## Distância focal e focagem

Antes de ajustar, coloque a tampa de ajuste na lente para assegurar que a nitidez da imagem é idêntica à da dome quando está devidamente posicionada.

- Para configurar o campo de visão da lente de focagem variável, afrouxe o parafuso da distância focal e rode o mecanismo até que a perspectiva necessária seja visualizada no monitor. (A imagem fica desfocada.)
- Foque a imagem no monitor, afrouxando o parafuso de focagem e rodando o mecanismo até que a imagem esteja focada.
- Volte a ajustar a distância focal, caso seja necessário.
- Repita estes dois ajustes até que a perspectiva pretendida esteja focada.
- Aperte ambos os parafusos.

Retire a tampa de ajuste da lente e a tomada de monitorização.

## Aquecedor

Ao usar a câmara a temperaturas baixas, seleccione o ajuste "Auto" do aquecedor no menu Installer (Instalador) (ver Estrutura de menus).

## Fechar a unidade

Quando a posição da câmara estiver definida e todos os ajustes tiverem sido feitos, feche a unidade.

- Posicione o revestimento interior alinhando a sua aleta com o suporte na base.
- Coloque a dome na base e rode até prender.  
(Se necessário, limpe a superfície com um pano macio.)
- Coloque o anel de vedação e o anel de moldura sobre a dome.
- Alinhe os parafusos invioláveis do aro envolvente com os furos roscados da base de montagem.
- Utilize a chave de parafusos especial incluída para apertar os parafusos invioláveis.

## Configuração avançada

Normalmente, a FlexiDome<sup>XF+</sup> fornece uma imagem óptima sem necessidade de qualquer regulação adicional. No entanto, existem opções de configuração avançadas disponíveis para que obtenha os melhores resultados possíveis em circunstâncias especiais. Existem dois menus; um menu **Main** e um menu **Installer**.

O menu **Main** permite-lhe seleccionar e configurar as funções de melhoria de imagem para cada modo. Se as alterações não corresponderem às suas necessidades, pode sempre voltar a chamar os valores predefinidos do modo.

A câmara tem ainda um menu **Installer**, no qual pode ajustar as definições de instalação.

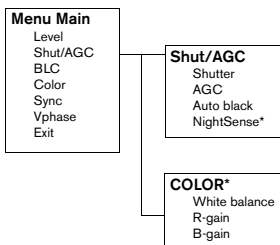
Os menus **Main** e **Installer** têm funções que podem ser seleccionadas directamente ou submenus para uma configuração mais detalhada.

## Aceder e navegar nos menus

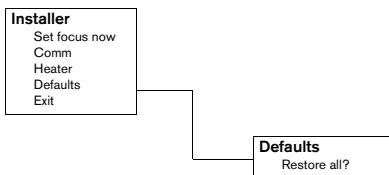
Pode utilizar cinco teclas para navegar pelos diversos menus. Para aceder aos menus de configuração, prima a tecla de menu/selecção (centro). Aparece o menu principal no OSD. Utilize as teclas de seta na navegação.

Quando a ligação de comunicação Bilinx<sup>TM</sup> está activa, os botões da câmara ficam inactivos. Pode também configurar o Bilinx<sup>TM</sup> para que os botões da câmara permaneçam inactivos mesmo quando o Bilinx<sup>TM</sup> não estiver a controlar a câmara. Isto evita a alteração não autorizada das definições da câmara.

## Estrutura de menus

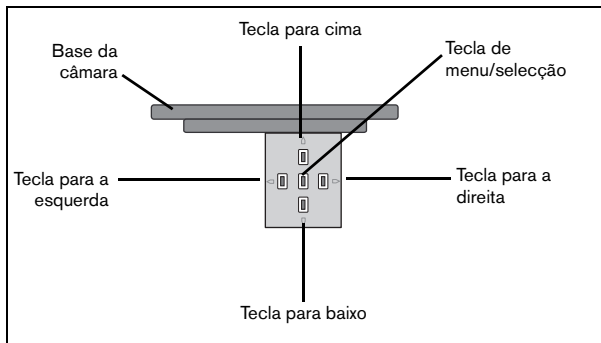


\* Só na versão policromática da câmara.



## Sugestões para a navegação nos menus

### Como utilizar as 5 teclas



- Prima a tecla de menu/selecção para aceder aos menus ou para se mover para o menu seguinte ou anterior.
- Prima a tecla de menu/selecção durante aproximadamente 1,5 segundos para abrir o menu **Installer**.
- Utilize as teclas para cima ou para baixo para percorrer um menu para cima ou para baixo.
- Utilize as teclas para a esquerda ou para a direita para se mover nas opções ou definir parâmetros.
- Num menu, prima rapidamente a tecla de menu/selecção duas vezes para repor a predefinição dos itens seleccionados.
- Para fechar todos os menus em simultâneo a partir de qualquer menu, seleccione o item **Exit** e mantenha a tecla de menu/selecção premida até o ecrã do menu desaparecer.

## Menu Main

Função	Seleção	Descrição
LEVEL	-15 - 0 - +15	Regula o nível de saída de vídeo
SHUT/AGC	Selecione o submenu	Selecione para aceder ao menu de controlo Shutter / Automatic Gain
BLC	ON, OFF	Quando em ON, o nível de vídeo é otimizado para a área seleccionada da imagem. As partes fora desta área podem ter uma exposição insuficiente ou excessiva (é normal).
COLOR*	ATW ATB HOLD Selecione o submenu	Selecione para aceder ao menu de cor
SYNC	LINE LOCK INTERNAL	Selecione LINE LOCK para sincronizar com a frequência da fonte de alimentação. Selecione INTERNAL para usar com a sincronização interna (seleccionado automaticamente com alimentação de corrente contínua).
VPHASE	0, 2, ... 358°	Regula o desvio de fase vertical (no modo LINE LOCK e com uma frequência da fonte de alimentação detectada).
EXIT		Sai do menu

\* Só na versão policromática da câmara. Se uma câmara policromática estiver no modo monocromático, todos os itens de menu relacionados com a cor ficam desactivados e não podem ser acedidos.

## Submenu Shutter/AGC

Função	Seleção	Descrição
SHUTTER	AES, FL	<ul style="list-style-type: none"> <li>• AES (obturador automático) - a câmara define automaticamente a velocidade ideal do obturador.</li> <li>• FL - o modo anti-cintilação evita a interferência das fontes de luz (recomendado apenas para a utilização com objectivas de diafragma de vídeo ou DC)</li> </ul>
AGC	ON/OFF	Controlo de ganho automático
AUTOBLACK	ON/OFF	A opção Autoblack aumenta automaticamente a visibilidade dos detalhes.



NIGHTSENSE*	AUTO FORCED OFF	O Nightsense™ melhora o desempenho da câmara em condições de luminosidade deficiente. <ul style="list-style-type: none"> <li>• No modo AUTO, a câmara comuta automaticamente para o modo monocromático em condições de luminosidade deficiente.</li> <li>• No modo FORCED, a câmara permanece em modo monocromático de alta sensibilidade.</li> </ul>
EXIT		Sai do menu

\* Só na versão policromática da câmara.

### Nota

Se NightSense™ estiver activo, podem aparecer interferências ou manchas na imagem. É um comportamento normal da câmara.

Se uma câmara policromática estiver no modo monocromático, todos os itens de menu relacionados com a cor ficam desactivados e não podem ser acedidos.

### Submenu Color\*

Função	Seleção	Descrição
WHITE BALANCE	ATW AWB HOLD	<ul style="list-style-type: none"> <li>• ATW: o controlo automático do equilíbrio de brancos permite à câmara regular continuamente a reprodução óptima da cor.</li> <li>• AWB HOLD: suspende o ATW e guarda as definições de cor.</li> </ul>
RED gain**	-5 - 0 - +5	Diferença de fábrica - alinhamento de pontos brancos (a redução de vermelho é compensada pela introdução de mais ciano).
BLUE gain**	-5 - 0 - +5	Diferença de fábrica - alinhamento de pontos brancos (a redução de azul é compensada pela introdução de mais amarelo).
EXIT		Sai do menu

\* Só na versão policromática da câmara.

\*\* Basta alterar a diferença de pontos brancos para condições do cenário especiais.

## Definições do programa de instalação

### Menu Install

Função	Seleção	Descrição
SET FOCUS NOW		Força a objectiva a abrir totalmente o diafragma. Ajuste agora a focagem da objectiva
COMM	ON, OFF	ACTIVA/DEACTIVA a comunicação Bilinx
HEATER	AUTO, OFF	Selecione AUTO para activar a função de aquecedor controlado por termóstato
DEFAULTS	Selecione o submenu	Repõe todas as predefinições de todos os modos
EXIT		Sai do menu

Procedimento de regulação da objectiva de diafragma DC:

1. Solte o parafuso de bloqueio da focagem.
2. SET BACK FOCUS NOW aparece realçado no menu.
3. Rode a regulação da focagem conforme necessário.
4. Bloquee o parafuso de bloqueio da focagem.
5. Saia da selecção do menu.

### Submenu Defaults

Função	Seleção	Descrição
ALL DEFAULTS		Selecione para repor as predefinições. Aparece um ecrã de confirmação. Aguarde 5 segundos para que a câmara optimize a imagem após a reposição do modo.
EXIT		Sai do menu

### Comunicação de controlo da câmara

Esta câmara está equipada com um transmissor/receptor de comunicações coaxial. Em combinação com VP-CFGSFT, a câmara pode ser regulada a partir da extremidade inicial do cabo coaxial. Todos os menus podem ser acedidos remotamente proporcionando o controlo total da câmara. Com esta comunicação, pode também desactivar as teclas existentes na câmara. Para evitar a perda de comunicação com uma câmara instalada, a selecção Communication ON/OFF **não** está disponível quando se utiliza o controlo remoto. Esta função só pode ser acedida através dos botões da câmara.

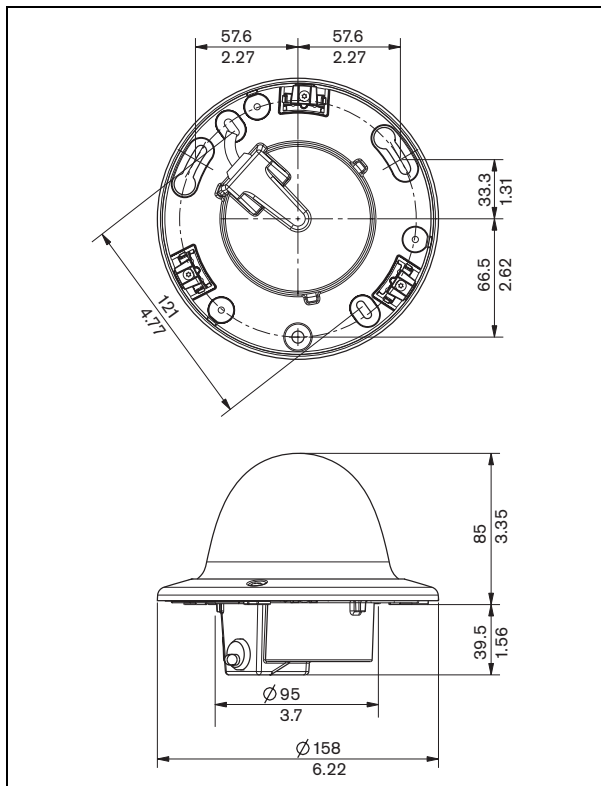
## Especificações técnicas

Tipos	VDC-455V0x-10	VDC-455V0x-20	VDC-355V0x-10	VDC-355V0x-20
Standard	PAL	NTSC	CCIR	EIA
Pixéis activos	752x582	768x492	752x582	768x492
Iluminação mínima	< 1,0 lux < 0,4 lux (com Nightsense)		< 0,2 lux	
Resolução	540 TVL		570 TVL	
Tensão nominal de alimentação	24 Vac ou 12 Vdc 12-28 Vac $\pm$ 10% (50/60 Hz) 11-36 Vdc			

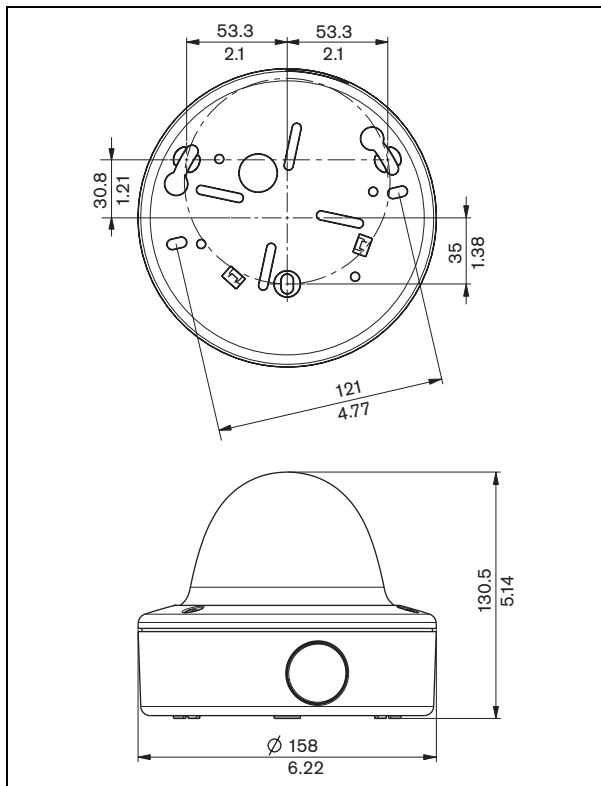
### Todas as versões

Sensor de imagens	Interline CCD
SNR	> 50 dB
Saída de vídeo	1 Vpp, 75 Ohm
Sincronização	Internal ou Line Lock seleccionável
Obturador	AES (1/60 (1/50) a 1/100000), sem cintilação, seleccionável
Preto Automático	On, Off seleccionável
AGC	AGC On (20 dB) ou Off seleccionável
Contorno	Melhoria da nitidez
BLC	BLC On ou Off seleccionável
Equilíbrio de brancos*	2500 - 9000 K automático (com modo de bloqueio AWB)
Objectiva	Varifocal integrada com diafragma DC
Consumo de energia	< 5 W
Dimensões	58 x 66 x 122 mm (AxLxP)
Peso	550 g
Temperatura de funcionamento	-30° a 50° C (-50° com aquecedor AUTO activado)
Controlos	OSD com funcionamento por teclas de função

## Dimensões (mm/polegadas)



## Dimensões com a caixa de montagem saliente (mm/polegadas)



## Acessórios

### Fontes de alimentação

- TC1334 12 Vac, 60 Hz - 24 Vac, 30 VA
- TC120PS 12 Vac, 60 Hz - 15 Vdc, 9 VA
- TC220PSX-24 220-240 Vac, 50/60 Hz - 24 Vac, 30 VA
- TC220PS 220-240 Vac, 50/60 Hz - 15 Vac, 9 VA

### Caixa de interface:

- VP-CFGSFT Software e caixa de interface de comunicação Bilinx<sup>TM</sup>



## 安全预防措施



### 危险

内含闪电（带箭头）的等边三角形符号用于提醒用户：产品壳体存在未绝缘的“危险电压”，其能量级别足以造成人身伤害。



### 警告

内含感叹号的等边三角形用于提醒用户：产品随附的文档资料中介绍了重要的操作和维护（维修）说明，请仔细阅读。



### 小心

为避免受到电击，不要拆除护盖（或后盖）。用户不得维修里面的部件。有关维修事项，请咨询合格的维修人员。

## 重要安全防护信息

1. 仔细阅读这些说明。
2. 保管好这些说明。
3. 遵守所有警告信息。
4. 遵循所有说明。
5. 不要在靠近水源的地方使用本设备。
6. 只能使用干软布清洁。
7. 不要阻塞任何通风孔。遵照制造商的说明进行安装。
8. 不要在靠近热源的地方安装，如散热器、贮热器、火炉或其它生热装置（包括放大器）等。



9. 不要破坏极化或接地型插头的安全功效。极化插头配有两个接线片，其中一片比另一片宽。接地型插头配有两个接线片以及一个接地插针。宽接线片或第三个接地插针均用于保护您的人身安全。如果提供的插头无法插入插座，请联系电工寻求建议。
10. 不要踩踏或挤压电源线，特别注意保护插头、便捷插座及设备接出点位置。
11. 仅用制造商指定的附件/配件。
12. 在雷雨期间或长期不用时，拔下本设备的电源插头。
13. 所有维修事项均应交给合格的维修人员处理。设备发生下列任何一种损坏情况时，均需进行维修：电源线或插头损坏、液体溅入或有异物落入设备、运转不正常或设备掉落等。
14. 在建筑物的电气安装过程中，全极电源开关的引脚触点之间至少应相隔 3 毫米。



## 小心

低电压电源装置必须符合 EN/UL 60950。电源必须是 SELV-LPS 装置或 SELV - 2 类装置（安全超低电压 - 受限制电源）。

## FCC 信息

本设备经测试符合 FCC 规则第 15 部分中关于 B 类数字设备的限制规定。这些限制的目的是为了在居住区安装本设备时，可以提供合理的保护以防止有害干扰。本设备会产生、使用和辐射射频能量。此外，如果未遵照相关说明进行安装和使用，可能会对无线电通信造成干扰。但是，这并不能保证在某些特定的安装环境中绝对不会产生干扰。如果本设备确实对无线电或电视接收造成了有害干扰，并且可以通过关闭和打开本设备来确定，则鼓励用户采用以下一种或多种方法排除干扰：

- 重新调整接收天线的方向和位置。
- 增加设备与接收器之间的距离。
- 将本设备的电源插头插至不同电路上的插座，使本设备与接收器使用不同的分支电路。
- 向供应商或有经验的无线电/电视技术人员查询，获得有关帮助信息。

## 注释

任何未经博世明确许可的改装均可能导致用户失去操作本设备的权利。若要获取详细信息或向代表咨询，请与最近的博世安保有限公司办事处联系或访问我们的站点：[www.boschsecurity.com.hk](http://www.boschsecurity.com.hk)

## 简介

FlexiDome<sup>XT+</sup> 是一款精巧细致、时尚典雅的高安全性监控球型摄像机，其高性能 1/3 英寸 CCD 彩色摄像头采用了功能完备的变焦镜头。这款一体化装置可以安装在电气接线盒、墙壁或天花板上。结构坚固且高防暴性能的聚碳球型罩可以保护摄像机模块免受损坏。

此摄像机采用先进的数字信号处理技术，能够在所有照明条件下提供杰出的图像品质。FlexiDome<sup>XT+</sup> 摄像机安装简单方便、随时可投入使用，即使在苛刻的场景条件下也能提供最佳的清晰度。

其特性包括：

- 防暴球型罩
- 防拆卸外壳
- NightSense™（星光技术）
- 镜头对焦协助
- Bilinx™ 双向同轴电缆通信

FlexiDome<sup>XT+</sup> 摄像机提供彩色和黑白两种型号。

## 型号概览

### FlexiDome<sup>XT+</sup> 黑白

型号	VDM-355V03-10	VDM-355V04-10	VDM-355V03-20	VDM-355V04-20
镜头	变焦 2.6 – 6 毫米 F1.4-360	变焦 3.7 – 12 毫米 F1.6-360	变焦 2.6 – 6 毫米 F1.4-360	变焦 3.7 – 12 毫米 F1.6-360
标准	CCIR		EIA	
电源电压	24 Vac、50Hz 或 12 Vdc		24 Vac、60Hz 或 12 Vdc	
CCD 类型	1/3"			

### FlexiDome<sup>XT+</sup> 彩色

型号	VDC-455V03-10	VDC-455V04-10	VDC-455V03-20	VDC-455V04-20
镜头	变焦 2.6 – 6 毫米 F1.4-360	变焦 3.7 – 12 毫米 F1.6-360	变焦 2.6 – 6 毫米 F1.4-360	变焦 3.7 – 12 毫米 F1.6-360
标准	彩色 PAL		彩色 NTSC	
电源电压	24 Vac、50Hz 或 12 Vdc		24 Vac、60Hz 或 12 Vdc	
CCD 格式	1/3"			

## 拆开包装

小心谨慎地拆开包装并取出设备。包装箱中包括：

- 内置 FlexiDome 摄像机
- 安装硬件套件
- 用于防拆卸螺丝的专用螺丝刀
- 镜头调节盖
- 安装手册

### 注释

如果设备在运送途中受到损坏，请用原始包装箱重新装好设备，然后通知承运商或供应商。

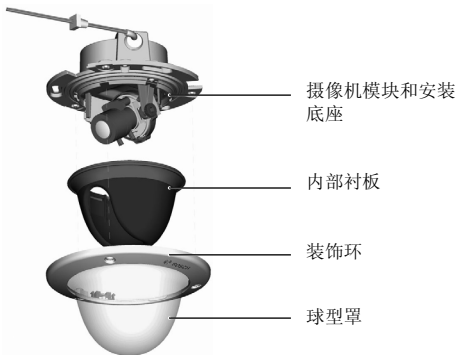


## 小心

安装须由合格的维修人员遵照美国国家电工标准或当地的相关电气规则进行。

## 拆卸

摄像机/壳体装置由以下部件组成：



## 小心

摄像机模块是一个非常精密的设备，必须谨慎处理。拆卸装置时，切勿使其掉落。

要拆卸装置，请执行以下步骤：

- 使用专用螺丝刀拧松装饰环中的三颗防拆卸螺丝（螺丝仍留在原位）。
- 拉动装饰环和球型罩并从底座上取下。
- 拉动内部衬板并从底座上取下。

## 安装装置

装置可以采用多种方式安装，具体取决于安装表面类型、是否使用电气接线盒以及是从后部还是从侧面（安装表面）连接导线。



### 小心

只有合格的维修人员才能进行安装，并且应遵照美国国家电工标准或适用的当地电气条例。

如果采用表面安装，请使用单独订购的加高安装底座 (VDA-455SMB)，然后将装置安装到底座上。

#### 提示

- 参考尺寸图以确定螺孔和导线接入孔的具体位置。
- 部分拧入两颗螺丝作为基准孔，并在连接导线时用它们暂时悬挂摄像机。

下图显示了安装装置的各种方法。

图 1 后部连接 - 空心表面

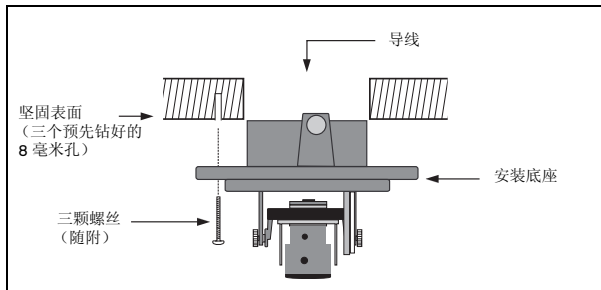


图 2 连接到电气接线盒 (4S)

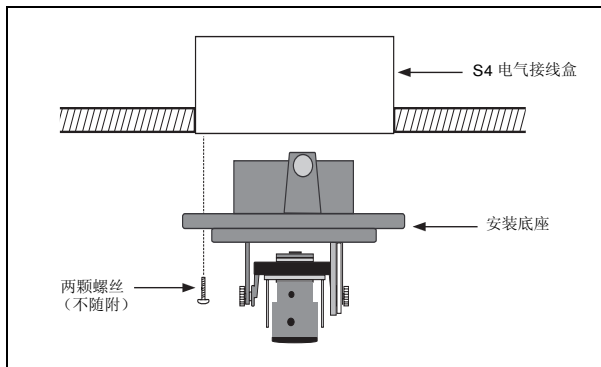


图 3 表面安装 - 侧面连接

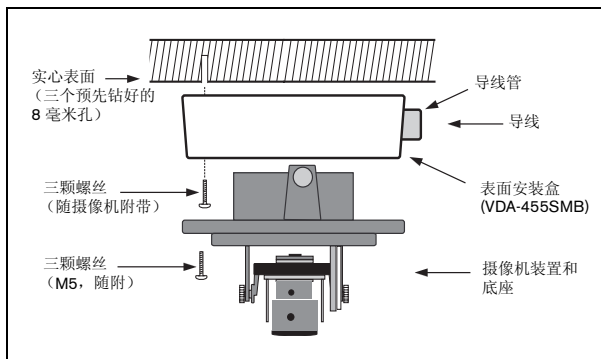
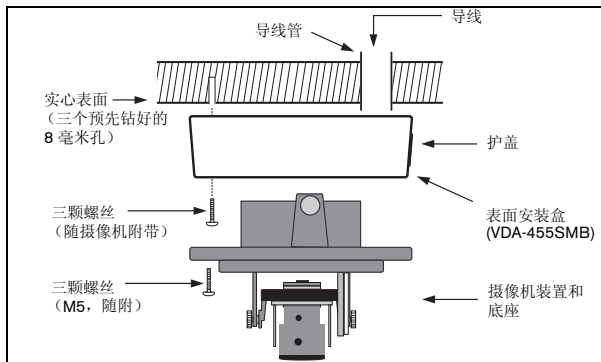


图 4 表面安装 - 后部连接



### 表面安装

使用加高安装盒时：

- 对于侧面连接，取下保护侧面入口的护盖。  
对于后部连接，无需取下护盖。
- 将导线管连接至安装盒。
- 松开防水连接室底部的两个固定夹，将其从安装盒上取下。
- 松开 5 个固定夹，打开安装盒上的防水连接室的护盖。
- 将电源和视频导线穿过单独的橡胶孔环，接入防水连接室。
- 将摄像机电缆穿过提供的孔环，接入防水连接室。
- 在防水连接室内部进行连接，然后扣紧护盖，加以密封。

### 注释

为了便于接入防水电缆，请使用直径在 5 到 6 毫米（0.2 - 0.24 英寸）之间的圆形电缆连接电源和视频。在电缆上涂抹一些硅油，以便将孔环滑到其上面。



## 室外应用连接

### 安全预防措施:

同轴电缆接地: 如果设备连接了外部电缆系统, 请确保该系统已接地。仅限美国型号 - Section 810 of the National Electrical Code, ANSI/NFPA No.70 (美国国家电工标准 810 条款, ANSI/NFPA No.70) 提供了有关以下方面的信息: 底座和支撑结构的正确接地、连接至放电设备的同轴电缆的接地、接地导线尺寸、放电设备位置、连接接地电极以及接地电极的要求。

电线: 室外系统不应安装在高架电线、电灯、电路或可能连接到此类电线或电路的任一点附近。安装室外系统时, 必须万分小心, 以免触及高压电线或电路而危及人身安全。仅限美国型号 - 参考 National Electrical Code Article 820 (美国国家电工标准 820 条款) 有关 CATV 系统安装的规定。

**24 VAC 电源:** 此设备使用限定电源, 此类电源必须符合 EN60950 标准。当设备使用 24 VAC 时, 额定输入电压介于 12 VAC 和 28 VAC 之间。设备的电源输入电压不得超过 28 VAC。用户在 24 VAC 电源和设备之间执行的布线必须符合电气规则 (2 类电源级别)。不要让 24 VAC 电源在接线端处或设备电源的接线端处接地。

连接: 设备的分路导线上有连接端子。在潮湿或室外安装环境中, 请使用 VDA-455SMB 附件或符合 Nema3 或 IP55 或更高保护标准的现场接线盒。在防水连接室内部进行连接。完成连接后, 请确保防水连接室严密封闭, 且电缆和导线管完全密封, 以防止渗水。



VDA-455SMB

## 连接和设置

### 电源和视频连接

线束配有一个 BNC 连接器，用于连接视频同轴电缆（带插针式 BNC 连接器）；并且配有两根已剥皮的低压电源线，用于连接电源连接器。（此外，还提供了 UTP 适配器附件，以便将 UTP 视频电缆连接至 BNC 连接器。）



#### 小心

连接之前，请确保断开了要接入装置的电缆的电源。确保装置的电压类型与所用的线路电源相匹配。

连接低压电源线和视频电缆的最简单方法如下：

- 将建筑物连接线穿过安装表面导线孔，使其伸出适当的距离。
- 将两颗螺丝部分拧入预先钻好的孔或适配器板。
- 使用基准孔将安装底座暂时挂在一颗螺丝上，然后稍稍倾斜底座以便进行电缆连接。
- 将摄像机模块的 BNC 连接器连接至视频同轴电缆。
- 将剥皮的电源线连接至电源连接器。

#### 注释

对于直流电源，极性无关紧要。对于交流电源，请尽可能为多个摄像机系统保持一致的布线极性，以免在切换视频时出现滚动现象。

- 在潮湿环境中，确保连接的密封性。（表面安装盒为此带有一个密封连接室。）
- 将连接线推回安装表面导线孔。
- 用三颗螺丝将安装底座固定在表面上。

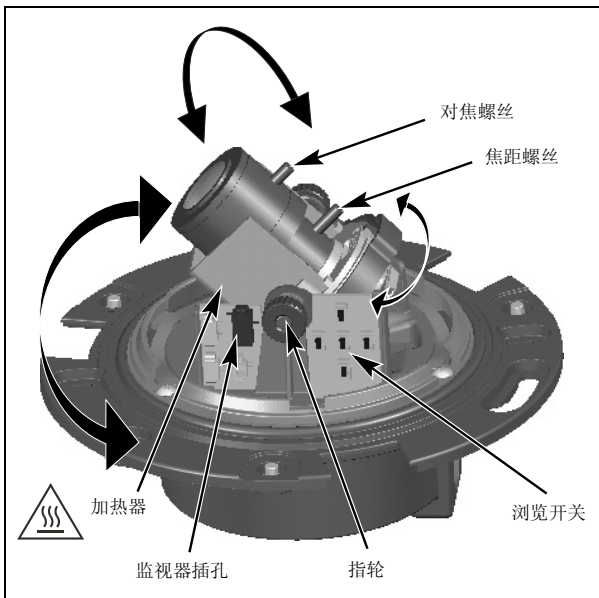
## 设置摄像机



### 警告：灼热表面

在操作过程中，加热器可能会很热 - 切勿触摸。  
对摄像机进行操作时，请关闭加热器。  
有关说明，请参见安装程序菜单（参见菜单结构）。

您可以将监视器连接至印刷电路板上的 2.5 毫米微型插孔，以帮助设置摄像机。此插孔提供复合视频信号（同步）。可用可选电缆（代码为 S1460）进行此连接。



## 摄像机定位

摄像机的物理默认位置是确保图像顶部要与指示标记 TOP 相对应。



### 小心

CCD 图像传感器是一个高度精密的元件，要小心处理以保证正常的性能和更长的使用寿命。无论在工作还是存放条件下，都不要让传感器暴露在阳光直射或明亮的聚光灯下。避免强光进入摄像机的视场。

摄像机模块的位置可以沿着三根轴进行调整。调整摄像机位置时，请确保监视器上的图像呈水平显示。通过以下步骤将摄像机安装在所需位置：

- 对于水平调整（摇摄），请在底座上旋转摄像机模块。旋转角度不得超过 360°。
- 对于垂直调整（俯仰），请松开指旋螺钉，定位摄像机，然后轻轻拧紧指旋螺钉以固定摄像机。
- 为获得水平图像（适用于倾斜的天花板或侧壁安装），请根据需要旋转镜头基座，以对准监视器上显示的图像。旋转角度不得超过 340°。

## 焦距和焦点

调节之前，请将调节盖放在镜头上，以确保图像清晰度与球型摄像机固定到位后的清晰度一致。

- 要设置变焦镜头的视场，请松开焦距螺丝，然后转动机件，直至监视器上显示所需视图。（图像不清晰。）
- 松开对焦螺丝并转动机件，直至图像处于焦点位置，从而使图像清晰地显示监视器上。
- 如果需要，请重新调节焦距。
- 重复以上两个调节步骤，直至所需视图清晰。
- 拧紧上述两颗螺丝。

从镜头和监控插孔取下调节盖。

## 加热器

在低温环境中使用摄像机时，请在安装程序菜单中将加热器选项设为“自动”（参见菜单结构）。

## 关闭装置

定位摄像机并进行所有调节后，请关闭装置。

- 将内部衬板固定到位，其边缘应对准底座上的支架。
- 将球型罩放到底座上并旋转，直至其卡入到位。（如果需要，请用软布清洁其表面。）
- 将密封环和装饰环套在球型罩上。
- 使装饰环中的防拆卸螺丝对准安装底座上的螺纹孔。
- 用随附的专用螺丝刀拧紧三颗防拆卸螺丝。

## 先进设置

通常，FlexiDome<sup>XT+</sup> 摄像机无需进一步调整便可提供优异的图像。然而，对于特定环境，可以调整先进设置选项以让摄像机提供最佳的图像效果。有两个菜单：**Main** 菜单和 **Installer** 菜单。

**Main** 菜单允许用户为每个模式选择和设置图像增强功能。如果不满意自己的更改，可以随时恢复模式的默认值。

摄像机还配有一个 **Installer** 菜单，用户从中可以设定安装设置。

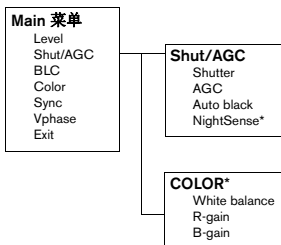
**Main** 菜单和 **Installer** 菜单提供了一些可以直接选择的功能或一些用于进一步设置的子菜单。

## 进入和浏览菜单

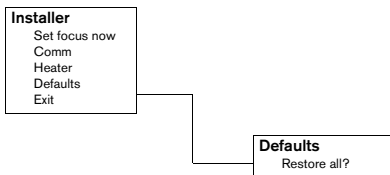
有五个按键可用于浏览各菜单。要进入设置菜单，请按菜单/选择键（位于中心位置）。主菜单会出现在 OSD 上。此时，用户即可使用各个箭头键进行浏览。

当 Bilinx<sup>™</sup> 通信链接处于活动状态时，摄像机上的按钮会被禁用。此外，用户还可以对 Bilinx<sup>™</sup> 进行设置，让摄像机按钮即使在 Bilinx<sup>™</sup> 未有效控制摄像机时也处于禁用状态。这可以防止他人擅自更改摄像机的设置。

## 菜单结构

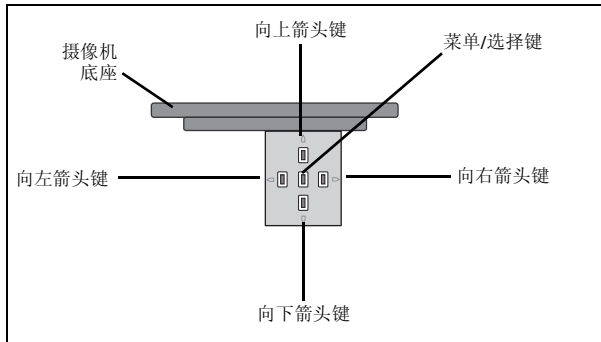


\* 仅适用于彩色机型摄像机。



## 菜单浏览提示

### 如何使用 5 个按键



- 按菜单/选择键可以进入菜单或移至下一个或上一个菜单。
- 按住菜单/选择键大约 1.5 秒可以打开 **Installer** 菜单。
- 向上或向下箭头键用于向上或向下滚动菜单。
- 向左或向右箭头键用于在选项之间移动或设置参数。
- 在菜单中时，快速按菜单/选择键两次可以恢复所选项目的厂商默认值。
- 要从任一菜单中同时关闭所有菜单，请选择 **Exit** 选项，然后按住菜单/选择键不放，直到菜单消失。



## Main 菜单

功能	选项	说明
LEVEL	-15 - 0 - +15	调整视频输出级别
SHUT/AGC	选择子菜单	选择以进入 Shutter / Automatic Gain Control 菜单
BLC	ON, OFF	当设为 ON 时, 摄像机会优化所选图像区域的视频电平。此区域之外的部分可能未曝光, 也可能过度曝光 (这是正常设置)。
COLOR*	ATW ATB HOLD 选择子菜单	选择以进入 COLOR 菜单。
SYNC	LINE LOCK INTERNAL	选择 LINE LOCK 可以与电源频率同步。选择 INTERNAL 可以使用内部同步 (通过直流电源自动选择)。
VPHASE	0, 2, ... 358°	调整垂直相位偏差 (当处于 LINE LOCK 模式且检测到有效的电源频率时)。
EXIT		退出菜单

\* 仅适用于彩色机型摄像机。如果摄像机处于黑白模式, 则所有与色彩相关的菜单项均会被禁用, 无法进入。

## Shutter/AGC 子菜单

功能	选项	说明
SHUTTER	AES, FL	<ul style="list-style-type: none"> <li>• AES - 自动快门 - 摄像机自动设置最佳快门速度</li> <li>• FL - 无频闪模式可以消除光源的干扰 (建议只将此模式用于视频光圈或 DC 光圈镜头)</li> </ul>
AGC	ON/OFF	自动增益控制
AUTOBLACK	ON/OFF	Autoblack (自动黑电平) 选项可以自动增加图像细节的可见度。

NIGHTSENSE*	AUTO FORCED OFF	Nightsense™ 技术增强了摄像机在弱光条件下的性能。 • 在 AUTO 模式下，摄像机在弱光条件下自动趋向黑白操作。 • 在 FORCED 模式下，摄像机保持高灵敏度的黑白操作。
EXIT		退出菜单

\* 仅适用于彩色机型摄像机。

### 注释

如果启用 NightSense™ 选项，则图像中可能会出现一些信噪或斑点，这是正常现象。

如果摄像机处于黑白模式，则所有与色彩相关的菜单项均会被禁用，无法进入。

### Color 子菜单\*

功能	选项	说明
WHITE BALANCE	ATW AWB HOLD	• ATW: 自动跟踪白平衡这一功能允许摄像机不断地作出调整以获得最佳的色彩重现。 • AWB HOLD: 锁定 ATW 并保存颜色设置。
RED gain**	-5 - 0 - +5	偏置工厂白点对齐（减少红色会使颜色更加倾向于青色）。
BLUE gain**	-5 - 0 - +5	偏置工厂白点对齐（减少蓝色会使颜色更加倾向于黄色）。
EXIT		退出菜单

\* 仅适用于彩色机型摄像机。

\*\* 只有在特殊的场景条件下才需更改白点偏置。

## Installer 设置

### Install 菜单

功能	选项	说明
SET FOCUS NOW		强制镜头完全打开光圈。立即调节镜头焦距。
COMM	ON, OFF	Bilinx 通信开启/关闭
HEATER	AUTO, OFF	选择 AUTO 可启用恒温调节加热器功能
DEFAULTS	选择子菜单	将所有模式的所有设置恢复至厂商默认值
EXIT		退出菜单

DC 光圈镜头调整过程：

1. 松开焦距锁定螺丝。
2. 菜单中会突出显示“SET BACK FOCUS NOW”。
3. 根据需要旋转焦距调节环。
4. 锁定焦距锁定螺丝。
5. 退出菜单选择。

### Defaults 子菜单

功能	选项	说明
ALL DEFAULTS		选择以恢复厂商默认值。此时会显示一个确认屏幕。在重设模式后，需等待 5 秒钟以便摄像机优化图像。
EXIT		退出菜单

### 摄像机控制通信

此摄像机配有一个同轴电缆通信收发器。与 VP-CFGSFT 配合使用时，可在同轴电缆的前端调整摄像机。所有菜单均可远程访问，以便用户充分控制摄像机。通过此通信，用户还可禁用摄像机上的本地按键。在使用远程控制时，为了避免中断已安装的摄像机上的通信，已禁用了“COMMUNICATION ON/OFF”选项。此功能只能通过摄像机按钮访问。

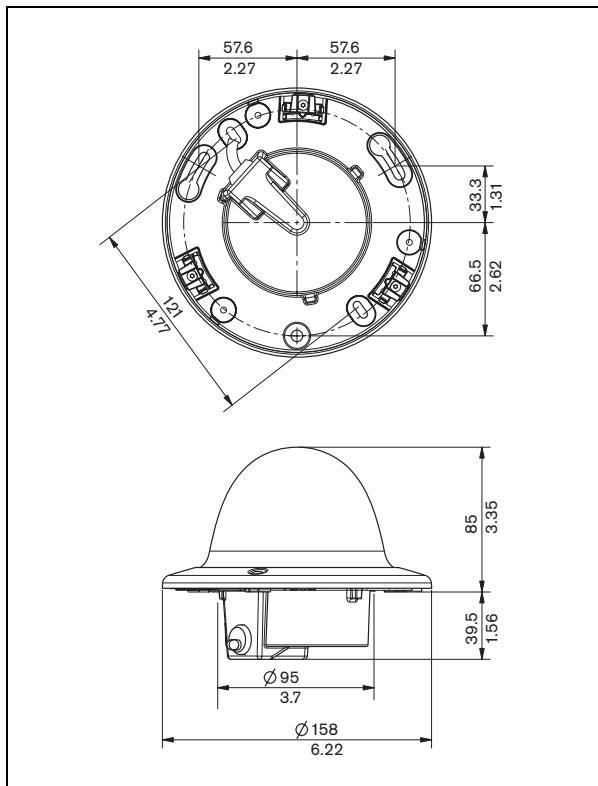
## 技术指标

型号	VDC-455V0x-10	VDC-455V0x-20	VDM-355V0x-10	VDM-355V0x-20
标准	PAL	NTSC	CCIR	EIA
有效画面像素	752x582	768x492	752x582	768x492
最低照度	< 1.0 lux < 0.4 lux (星光技术开启)		< 0.2 lux	
清晰度	540 电视线		570 电视线	
额定电压	24 VAC 或 12 VDC 12-28 VAC (50/60 Hz) 11-36 VDC			

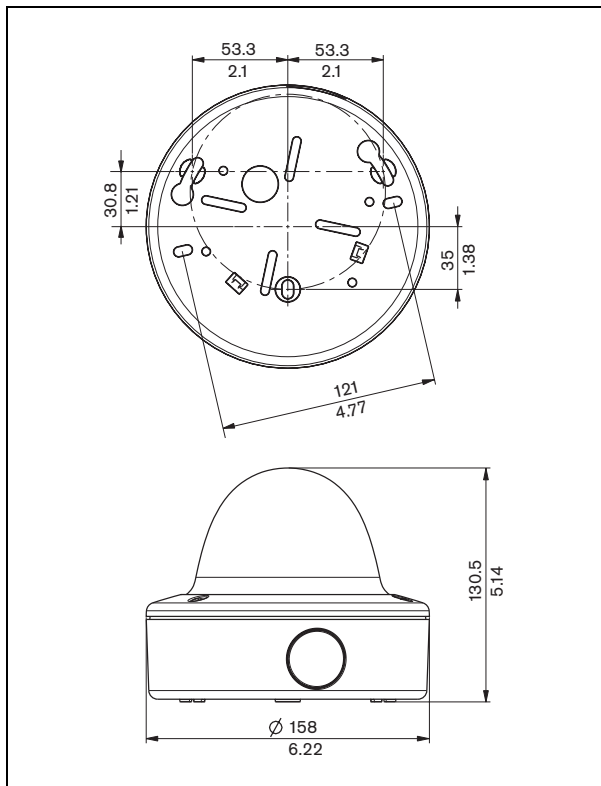
### 所有摄像机

图像传感器	隔行转移 CCD
信噪比	> 50 dB
视频输出	1 Vpp, 75 欧姆
同步	可以选择内部锁定或线路锁定
快门	可以选择 AES (1/60 (1/50) 至 1/100000)、无频闪
自动黑电平	可以选择打开或关闭
自动增益控制	可以选择打开 (20 dB) 或关闭自动增益
轮廓校正	清晰度增强
逆光补偿	可以选择打开或关闭 BLC
白平衡*	自动 2500 – 9000K (通过 AWB 锁定模式)
镜头	集成的 DC 光圈变焦镜头
功耗	< 5 W
尺寸	58 x 66 x 122 毫米 (高x宽x长)
重量	550 克
操作温度	-30 到 50°C (-50°C 时自动启用加热器)
控制	通过软键操作的屏显菜单

## 尺寸 (毫米/英寸)



## 采用表面安装盒时的尺寸（毫米/英寸）



## 附件

### 电源变压器

- TC1334 120VAC, 60Hz - 24VAC, 30VA
- TC120PS 120VAC, 60Hz - 15VDC, 9VA
- TC220PSX-24 220-240VAC, 50/60Hz - 24VAC, 30VA
- TC220PS 220-240VAC, 50/60Hz - 15VDC, 9VA

### 接口盒:

- VP-CFGSFT Bilinx™ 通信接口盒和软件

Bosch Sicherheitssysteme GmbH  
Ludwig-Bölkow-Allee  
85521 Ottobrunn  
Germany  
[www.bosch-sicherheitssysteme.de](http://www.bosch-sicherheitssysteme.de)

Bosch Security Systems B.V.  
P.O. Box 80002  
5600 JB Eindhoven  
The Netherlands  
[www.boschsecuritysystems.com](http://www.boschsecuritysystems.com)

© 2005 Bosch Security Systems B.V.  
Subject to change. Printed in Portugal.  
3122 165 23351

**BOSCH**