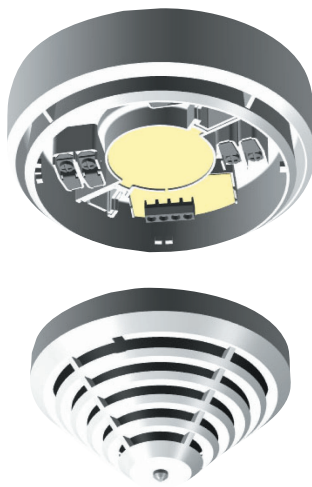


MSS Detector Base Sounders

www.boschsecurity.com



BOSCH
Invented for life

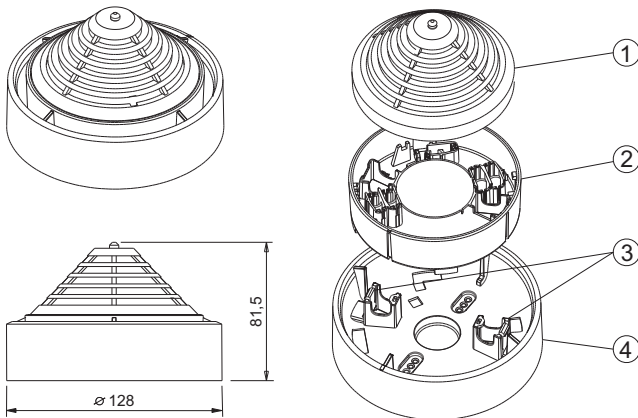


- ▶ Volume up to 100 dB(A)
- ▶ Electronic tone generator integrated into the signaling device
- ▶ 11 different tone variants can be selected (incl. DIN tone)
- ▶ Great reliability and long service life
- ▶ For surface-mounted and flush-mounted cable feed

Detector Base Sounders are used when the acoustic signaling of an alarm is required directly at the site of the fire.

- 3 Snap-fit hooks
- 4 Mounting base

System overview



Pos.	Description
1	Detector module
2	Sounder unit

Functions

The electronic tone generator integrated into the signaling device can produce 11 different tones (including DIN tones conforming to DIN 33404 and EN 457).

The tone variants include different wailing tones, various signals for fire alarms, and other special modulations. Depending on the tone type, volume set, and operating voltage, the sound pressure level varies between 87 dB(A) and 100 dB(A).

The programming of the tone type and volume setting is performed:

- for the MSS 300 / MSS 300-WH-EC via integrated DIP switch and potentiometer (continuously)
- for the MSS 400 LSN / MSS 401 LSN via the LSN.

Certifications and approvals

MSS 400 LSN/MSS 401 LSN comply with:

- EN54-3:2001/A1:2002
- EN54-17:2005

MSS 300/MSS 300-WH-EC comply with:

- EN54-3:2001/A1:2002

Region	Certification	
Hungary	BMF	618/73/2002 OTC 410 LSN, OC 410 LSN, OC 310 GLT, MSS 300/400
Germany	VdS	G 204067 MSS 300/-EC/SA_G204067
	VdS	G 204068 MSS 400/401/SA_G204068
Europe	CE	MSS 300 ws
	CE	MSS 300 ws - EC
	CE	MSS 401 LSN
	CPD	0786-CPD-20185 MSS 300
	CPD	0786-CPD-20186 MSS 400_MSS 401

Installation/configuration notes

- MSS Detector Base Sounders are intended only for interior areas.
- The current consumption depends on the tone type selected and is maximum 20 mA.

MSS 300 Detector Base Sounder White

- Control from the C point of the deployed fire detector
- When the detector is reset in the event of an alarm, the sounder is not reset.
- The sounder continues to sound for approx. 90 s after being switched off after occurrence of an alarm.

MSS 300-WH-EC Detector Base Sounder White

- The Detector Base Sounder is externally controlled, e.g. via FLM-420-NAC or NZM 0002 A (not via the C point of the deployed detector).

MSS 400 LSN Detector Base Sounder White

- The Detector Base Sounder as well as the deployed detector are each independent LSN elements.
- The current consumption from the LSN is max. 20 mA.

MSS 401 LSN Detector Base Sounder White

- The Detector Base Sounder as well as the deployed detector are each independent LSN elements.
- The current consumption from the LSN is only max. 1.025 mA, as the sounder has a separate power supply.

Tone type table

No.	Signal type (sound type)	Frequency / modulation	Acoustic sound level at 24 V
1*	Increasing/ decreasing tone (DIN tone)	1200/500 Hz at 1 Hz	96 dB(A)
2	Increasing/ decreasing tone British alarm tone (BS 5839)	800-970 Hz at 1 Hz	100 dB(A)
3	Increasing / decreasing tone Australian alarm tone (AS 2220)	2400-2850 Hz at 7 Hz	95 dB(A)

4	Variable tone Dutch alarm tone	500-1200 Hz 3.5 s on/ 0.5 s off	97 dB(A)
5	Continuous tone, British alarm tone (BS 5839)	970 Hz	97 dB(A)
6	Variable tone, French alarm tone	554 Hz/100 ms 440 Hz/400 ms	97 dB(A)
7	Continuous tone, Swedish alarm tone	660 Hz	97 dB(A)
8	Variable tone	580/1000 Hz each 500 ms on / off	91 dB(A)
9	Pulse tone	580 Hz each 250 ms on / off	87 dB(A)
10	USA temporal 3 tone ISO 8201	610 Hz	99 dB(A)
11	USA temporal 3 tone ISO 8201	2850 Hz	94 dB(A)

* Delivery state: tone complying with DIN 33404 or EN 457

Technical specifications

Electrical

MSS 300 / MSS 300-WH-EC

Operating voltage	9 V DC to 30 V DC
Current consumption from external source	Standby: 1 mA Alarm: max. 20 mA

MSS 400 LSN / MSS 401 LSN

Operating voltage	15 V DC to 33V DC
Current consumption from external source	
• MSS 401 LSN	Standby: 2 mA Alarm: max. 20 mA
Current consumption from LSN	
• MSS 400 LSN	Standby: 2 mA Alarm: max. 20 mA
• MSS 401 LSN	Max. 1.025 mA

Mechanics

Connections (inputs/outputs)	0.28 mm ² to 2.5 mm ²
Dimensions (W x H)	128 x 40.5 mm
Weight	
• Without packaging	Approx. 220 g
• With packaging	Approx. 260 g
Housing	

• Material	Plastic, ABS (Novodur)
• Color	White, similar to RAL 9010

Environmental conditions

Protection category as per EN 60529 (with detector)	IP 30
Permissible operating temperature	-10 °C to +55 °C
Permissible storage temperature	-25 °C to +85 °C

Special features

Sound pressure level at a distance of 1 m	Max. 100 dB (A)
Frequency range	440 Hz up to 2.85 kHz

Ordering information

MSS 300 Detector Base Sounder White

Control via C-point of the detector
 Order number **MSS 300**

MSS 300-WH-EC Detector Base Sounder White

Control through fire panel via interface
 Order number **MSS300-WH-EC**

MSS 400 LSN Detector Base Sounder White

For direct connection to the LSN
 Order number **MSS 400 LSN**

MSS 401 LSN Detector Base Sounder White

for direct connection to the LSN with direct separate power supply
 Order number **MSS 401**

MSS Detector Base Sounders

	MSS 300 Detector Base Sounder White	MSS 300-WH-EC Detector Base Sounder White	MSS 400 LSN Detector Base Sounder White	MSS 401 LSN Detector Base Sounder White
				
GLT/LSN	GLT	GLT	LSN	LSN
Control	by the C point of the fire detector	by the fire panel via an interface	by the LSN	by the LSN
Operating voltage	9 V DC to 28 V DC	9 V DC to 28 V DC	15 V DC to 33 V DC	15 V DC to 33 V DC
Current consumption	external power supply	external power supply	LSN	LSN (max. 1.025 mA) and external power supply
- Standby	1 mA	1 mA	2 mA	2 mA (AUX)
- Alarm	max. 20 mA	max. 20 mA	max. 20 mA	max. 20 mA (AUX)
Protection category	IP 30	IP 30	IP 30	IP 30
Permissible operating temperature	-10 °C to +55 °C	-10 °C to +55 °C	-10 °C to +55 °C	-10 °C to +55 °C

Represented by:

Americas:

Bosch Security Systems, Inc.
130 Perinton Parkway
Fairport, New York, 14450, USA
Phone: +1 800 289 0096
Fax: +1 585 223 9180
security.sales@us.bosch.com
www.boschsecurity.us

Europe, Middle East, Africa:

Bosch Security Systems B.V.
P.O. Box 80002
5617 BA Eindhoven, The Netherlands
Phone: + 31 40 2577 284
Fax: +31 40 2577 330
emea.securitysystems@bosch.com
www.boschsecurity.com

Asia-Pacific:

Robert Bosch (SEA) Pte Ltd, Security Systems
11 Bishan Street 21
Singapore 573943
Phone: +65 6571 2808
Fax: +65 6571 2699
apr.securitysystems@bosch.com
www.boschsecurity.asia

China:

Bosch (Shanghai) Security Systems Ltd.
201 Building, No. 333 Fuquan Road
North IBP
Changning District, Shanghai
200335 China
Phone +86 21 22181111
Fax: +86 21 22182398
www.boschsecurity.com.cn

America Latina:

Robert Bosch Ltda Security Systems Division
Via Anhanguera, Km 98
CEP 13065-900
Campinas, Sao Paulo, Brazil
Phone: +55 19 2103 2860
Fax: +55 19 2103 2862
latam.boschsecurity@bosch.com
www.boschsecurity.com