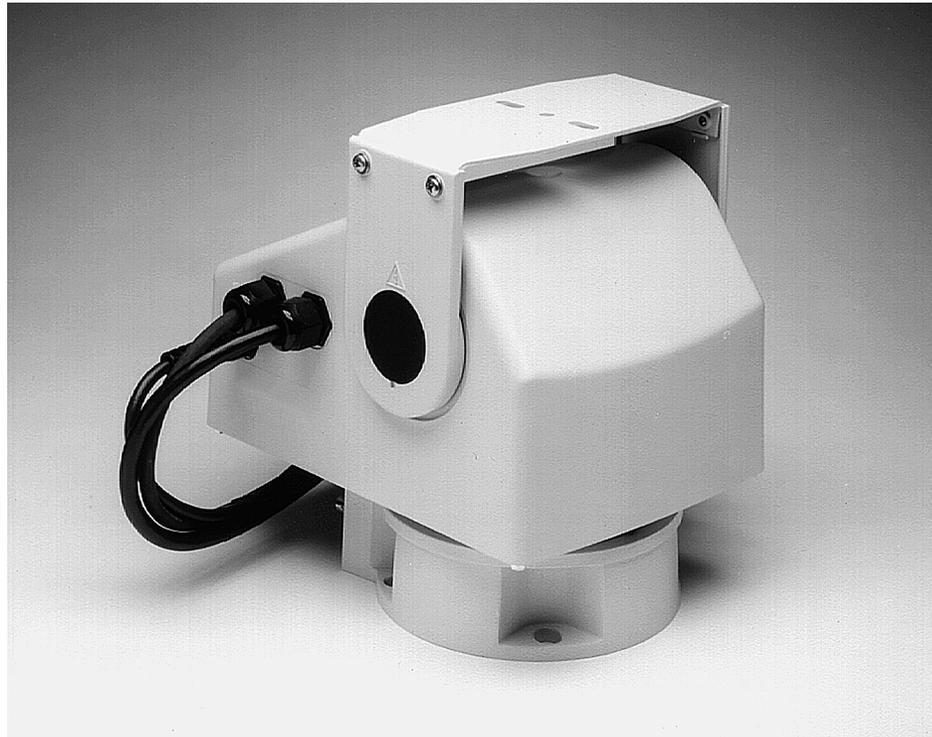


LTC 9418 & LTC 9420 Series LTC 9440 & LTC 9441 Series



Security Systems

EN	Instruction Manual Weatherproof Outdoor Pan/Tilts	NL	Instructiehandleiding Weerbestendige zwenk/kip-unit voor buiten
FR	Manuel d'utilisation Socles à balayage horizontal/vertical étanches pour applications d'extérieur	IT	Manuale utente Unità pan/tilt per esterno protette dalle intemperie
DE	Bedienungshandbuch Wetterschutzte Außen- Schwenkeinheiten	PT	Manual de Instruções Sistema da Rotação Horizontal/Vertical Exterior Resistente às Intempéries
ES	Manual de instrucciones Unidades de panorámica/inclinación a prueba de intemperie	PL	Instrukcja obsługi Wodoszczelna zewnętrznybudynekowa głowica obrotowo-uchylna

BOSCH

IMPORTANT SAFEGUARDS:

1. Read, Follow, and Retain Instructions - All safety and operating instructions should be read and followed before operating the unit. Retain instructions for future reference.

2. Heed Warnings – Adhere to all warnings on the unit and in the operating instructions.

3. Attachments - Attachments not recommended by the product manufacturer should not be used, as they may cause hazards.

4. Installation Cautions - Do not place this unit on an unstable stand, tripod, bracket, or mount. The unit may fall, causing serious injury to a person and serious damage to the unit. Use only manufacturer-recommended accessories, or those sold with the product. Mount the unit per the manufacturer's instructions. Appliance and cart combination should be moved with care. Quick stops, excessive force, or uneven surfaces may cause the appliance and cart combination to overturn.

5. Cleaning - Unplug the unit from the outlet before cleaning. Follow any instructions provided with the unit. Generally, using a damp cloth for cleaning is sufficient. Do not use liquid cleaners or aerosol cleaners.

6. Servicing - Do not attempt to service this unit yourself. Opening or removing covers may expose you to dangerous voltage or other hazards. Refer all servicing to qualified service personnel.

7. Damage Requiring Service - Unplug the unit from the main AC power source and refer servicing to qualified service personnel under the following conditions:

- When the power supply cord or plug is damaged.
- If liquid has been spilled or an object has fallen into the unit.
- If the unit has been exposed to water and/or inclement weather (rain, snow, etc.).
- If the unit does not operate normally, when following the operating instructions. Adjust only those controls specified in the operating instructions. Improper adjustment of other controls may result in damage, and require extensive work by a qualified technician to restore the unit to normal operation.
- If the unit has been dropped or the cabinet damaged.
- If the unit exhibits a distinct change in performance, this indicates that service is needed.

8. Replacement Parts - When replacement parts are required, the service technician should use replacement parts specified by the manufacturer, or that have the same characteristics as the original part. Unauthorized substitutions may result in fire, electrical shock, or other hazards.

9. Safety Check - Upon completion of servicing or repairs to the unit, ask the service technician to perform safety checks to ensure proper operating condition.

10. Power Sources - Operate the unit only from the type of power source indicated on the label. If unsure of the type of power supply to use, contact your dealer or local power company.

- For units intended to operate from battery power, refer to the operating instructions.
- For units intended to operate **with External Power Supplies**, use only the recommended approved power supplies.
- For units intended to operate with a **limited power source**, this power source must comply with EN60950. Substitutions may damage the unit or cause fire or shock.
- For units intended to operate at **24 VAC**, normal input voltage is 24 VAC. Voltage applied to the unit's power input should not exceed 30 VAC. User-supplied wiring, from the 24 VAC supply to unit, must be in compliance with electrical codes (Class 2 power levels). Do not ground the 24 VAC supply at the terminals or at the unit's power supply terminals.

11. Coax Grounding - If an outside cable system is connected to the unit, ensure that the cable system is grounded. U.S.A. models only--Section 810 of the National Electrical Code, ANSI/NFPA No.70, provides information regarding proper grounding of the mount and supporting structure, grounding of the coax to a discharge unit, size of grounding conductors, location of discharge unit, connection to grounding electrodes, and requirements for the grounding electrode.

12. Grounding or Polarization - This unit may be equipped with a polarized alternating current line plug (a plug with one blade wider than the other). This safety feature allows the plug to fit into the power outlet in only one way. If unable to insert the plug fully into the outlet, try reversing the plug. If the plug still fails to fit, contact an electrician to arrange replacement of the obsolete outlet. Do not defeat the safety purpose of the polarized plug.

Alternately, this unit may be equipped with a 3-wire grounding plug (a plug with a third pin, for grounding). This safety feature allows the plug to fit into a grounding power outlet only. If unable to insert the plug into the outlet, contact an electrician to arrange replacement of the obsolete outlet. Do not defeat the safety purpose of the grounding plug.

13. Lightning - For added protection during a lightning storm, or when this unit is left unattended and unused for long periods of time, unplug the unit from the wall outlet and disconnect the cable system. This will prevent damage to the unit due to lightning and power line surges.

SAFETY PRECAUTIONS

FOR INDOOR PRODUCT

- 1. Water and Moisture** - Do not use this unit near water - for example, in a wet basement, in an unprotected outdoor installation, or in any area classified as a wet location.
- 2. Object and Liquid Entry** - Never push objects of any kind into this unit through openings, as they may touch dangerous voltage points or short out parts that could result in a fire or electrical shock. Never spill liquid of any kind on the unit.
- 3. Power Cord and Power Cord Protection** - For units intended to operate with **230VAC, 50Hz**, the input and output power cord must comply with the latest versions of IEC Publication 227 or IEC Publication 245.
Power supply cords should be routed so they are not likely to be walked on or pinched. Pay particular attention to location of cords and plugs, convenience receptacles, and the point of exit from the appliance.
- 4. Overloading** - Do not overload outlets and extension cords; this can result in a risk of fire or electrical shock.

FOR OUTDOOR PRODUCT

- 1. Power Lines** - An outdoor system should not be located in the vicinity of overhead power lines, electric lights, or power circuits, or where it may contact such power lines or circuits. When installing an outdoor system, extreme care should be taken to keep from touching power lines or circuits, as this contact might be fatal. U.S.A. models only - refer to the National Electrical Code Article 820 regarding installation of CATV systems.

FOR RACK-MOUNT PRODUCT

- 1. Ventilation** - This unit should not be placed in a built-in installation or rack, unless proper ventilation is provided, or the manufacturer's instructions have been adhered to. The equipment must not exceed its maximum operating temperature requirements.
- 2. Mechanical Loading** - Mounting of the equipment in a rack shall be such that a hazardous condition is not achieved due to uneven mechanical loading.



CAUTION

RISK OF ELECTRIC SHOCK. DO NOT OPEN!



Caution: To Reduce the risk of electrical shock do remove cover (or back). No user serviceable parts inside.
Refer servicing to qualified service personnel.



This symbol indicates presence of uninsulated "dangerous voltage" within the product enclosure. This may constitute a risk of electric shock.



The user should consult the operating and maintenance (servicing) instructions in the literature accompanying the appliance.



Attention: Installation should be performed by qualified service personnel only in accordance with the National Electrical Code or applicable local codes.



Power Disconnect. Units with or without ON-OFF switches have power supplied to the unit whenever the power cord is inserted into the power source; however, the unit is operational only when the ON-OFF switch is in the ON position. The power cord is the main power disconnect for all units.

TABLE OF CONTENTS

1 UNPACKING	4
2 SERVICE	4
3 INSTALLATION	4
3.1 Model Designation	4
3.2 Recommended Mounting Equipment.....	5
3.3 Wall Mounting	5
3.4 Camera/Lens/Enclosure Mounting	5
3.5 Electrical Connections	5
3.6 Grounding Connection	5
3.7 Connector Assembly.....	5
3.8 Pan Stops (345° Models)	7
4 OPERATION	7
4.1 Manual Pan Operation (345° Models).....	7
4.2 Auto-Pan Operation (345° Models).....	7
4.3 Pan Stop Adjustment (345° Models)	8
4.4 Pan Operation (360° Models)	8
4.5 Tilt Stop Adjustment (All Models)	8
4.6 Pre-Position Models	8
5 WIRING DIAGRAMS	9
6 RECOMMENDED APPLICATIONS	12
7 DIMENSIONAL OUTLINE	12

I UNPACKING

This electro-mechanical equipment should be unpacked carefully and handled with care.

Check for the following items:

- Model number of unit.
- 3/32-inch Allen wrench.
- Connector Kit 315 1232 001

If an item appears to have been damaged in shipment, replace it properly in its carton and notify the shipper. If any items are missing, notify Bosch Security Systems.

The shipping carton is the safest container in which the unit may be transported. Save it for possible future use.

2 SERVICE

If the unit ever needs repair service, the customer should contact the nearest Bosch Security Systems, Inc. Service Center for authorization to return and shipping instructions.

Service Centers

U.S.A.: 800-366-2283 or 408-956-3895
 Fax: 800-366-1329 or 408-956-3896
 Email: NationalServiceCenter@ca.slr.com
 Canada: 514-738-2434
 Europe, Middle East & Asia Pacific Regions
 800-366-2283

For additional information, see
www.boschsecuritysystems.com

3 INSTALLATION



This installation should be made by a qualified service person and conform to all local codes.



Always disconnect power to unit at controller prior to connecting or disconnecting pan/tilt electrical connector. Pan/tilt to be mounted away from unauthorized access [3 meters (10 feet) high minimum]



These units are designed for either upright or inverted installations. To maintain weatherproof integrity when mounting outdoors in an inverted position, the unit must be installed in a weatherproof enclosure (e.g., weather-proof domed housing) or a protected outside area.

Pan/tilts and associated equipment should be tested prior to field installation to verify proper wiring and operation of components.

LTC 9418 & LTC 9420

The maximum load is 10kg (22lb) or 149kg-cm (129lb-in) torque at a distance of 63.5mm (2.5in) from the center of mass of the camera/lens/housing assembly to the center of the tilt table.

LTC 9440 & LTC 9441

The maximum load is 18kg (40lb) or 297kg-cm (260lb-in) torque with center of mass located 3.12in (79.2mm) from the center of the tilt table.

The combined weight of the enclosure/camera/lens should be centered equally, front to back, on the tilt table surface for best pan/tilt operation.

See **RECOMMENDED APPLICATIONS**.

3.1 Model Designation

LTC 9418 Series	Load Rating: 22lb Load (10Kg), 129lb-in (149kg-cm) torque Wiring: Standard	Power Required: 24W
LTC 9420 Series	Load Rating: 22lb Load (10Kg), 129lb-in (149kg-cm) torque Wiring: Feed-thru	Power Required: 24W
LTC 9440 Series	Load Rating: 40lb Load (18kg), 260lb-in (297kg-cm) torque Wiring: Standard	Power Required: 20W
LTC 9441 Series	Load Rating: 40lb Load (18kg), 260lb-in (297kg-cm) torque Wiring: Feed-thru	Power Required: 20W
	Rated Motor Voltage	Voltage Range
/60 models*:	120VAC, 60Hz	108 to 132
/20 models*:	24VAC, 60Hz	21.6 to 26.4
* 40lb Models	24VAC, 60Hz	23 to 26.4
/10 models:	24VAC, 50Hz	21.6 to 26.4
/50 models:	220VAC, 50Hz	207 to 253

Pan Range: 0° to 345° on standard models, 0° to 360° on Continuous Pan models. Pre-position is designated as -/x1, e.g., LTC 9441/61



Caution: Do Not Exceed 30 VAC Input on 24 VAC models. Operation above 30 VAC violates low voltage operation (Class 2 Specifications). Normal operation is 24 VAC. CUL Approved 24 VAC Models.



Caution: Connect to Class 2 Power Supply only. Total current through electrical connector is 4 A maximum. Pan/tilt current is 1 A maximum. Allowable camera/housing is 3 A maximum. Use only 24 VAC cameras and housings on feed-through models.

3.2 Recommended Mounting Equipment

- LTC 9216/00 Medium duty wall mount designed to support up to 45.3 kg (100 lb).
- LTC 9222/00 Heavy duty wall mount designed to support up to 90.6 kg (200 lb).
- LTC 9214/00 Heavy duty 336 mm (14 inch) column mount for ceiling or pedestal.
- LTC 9224/00 Heavy duty 610 mm (24 inch) column mount for ceiling or pedestal use.

3.3 Wall Mounting

Follow the instructions provided with mounts. Mount and mounting surface must be able to support the weight of the pan/tilt, camera/lens, and enclosure (if used). The camera/lens/enclosure must be properly mounted and balanced on the pan/tilt bracket.



Caution: The pan/tilts can only be mounted upright or inverted; never horizontally.

3.4 Camera/Lens/Enclosure Mounting

Mount the camera/lens/enclosure to the pan/tilt bracket as follows:

1. Balance the camera/lens/enclosure and adjust unit to align with mounting holes. Fasten with a minimum of two (2) 1/4-20 x 1/2-inch long fasteners and lock washers.
2. Make all electrical connections. Leave sufficient loops of cable between camera/enclosure and pan/tilt to allow for tilting and panning.

3.5 Electrical Connections

1. Cable must be wired according to **Connector Assembly** (Section 3.7) and **Recommended Maximum Cable Lengths** (Table 1).
2. Use separate shielded cables for camera power, enclosure power, and pan/tilt control. If required, combining lens control wiring and video coax within a common cable is acceptable. The use of a common multiconductor cable to combine all functions is not recommended.
3. Use color coded conductors to aid wiring and future identification.

4. Retain wiring diagram for later reference.

Model Voltage	Wire Size		Distance ¹	
	Mm ²	AWG	Feet	Meters
24 VAC ²	0.5	20	140	43
	1	18	230	70
	1.5	16	360	110
	2.5	14	590	180
	4	12	940	287
110 VAC	0.5	20	2200	671
	1	18	3500	1067
	1.5	16	5500	1677
	2.5	14	9000	2744
220 VAC	0.5	20	13400	4085
	1	18	21200	6463
	1.5	16	33300	10152
	2.5	14	54400	16585

Table 1 Maximum Cable Lengths

Notes For Table 1

1. Values calculated at 20 °C (68 °F) using stranded tinned copper wire, a common ground (neutral), and with both PAN and TILT motors operating simultaneously.
2. For 24 VAC Models operating at or near -30° C, values are based upon maintaining the supplied voltage within the voltage range as specified in Section 3.1.

AMP Hand Crimping Tool #58495-1 is recommended for crimping sockets. Refer to **Figure 2** for the numbered connector positions. The connector will accept up to a #16 AWG wire. If heavier gauge wire is required, pigtailling according to local electrical codes is recommended.



Caution: Contact removal from connector requires use of AMP #305183 extraction tool.

3.6 Grounding Connection

A ground screw is located on the base to the right of connector. See **Figure 8**. Connect a 1 mm² (No.18 AWG) ground wire to the nearest earth ground.

3.7 Connector Assembly

A mating connector, sockets and a strain relief are included with the unit. See **Figure 1**.

To install, select the appropriate size strain relief clamp. Choose one of the two strain relief clamps enclosed with the sleeve and the extender. The clamping area is adjustable by inverting or changing the strain relief clamps. Discard the four strain reliefs on the carrier strip packaged with the shield.

Insert the clamp into the strain relief until it bottoms. The clamp should bottom on the wire bundle, **not** on the shield's shoulder. If the wire diameter is too small, **temporarily** wrap the wire with electrical tape until proper clamping is obtained. Secure the clamp with the two (2) screws provided.



Caution: Make sure the wire bundle is properly secured. Do NOT pinch the wires.

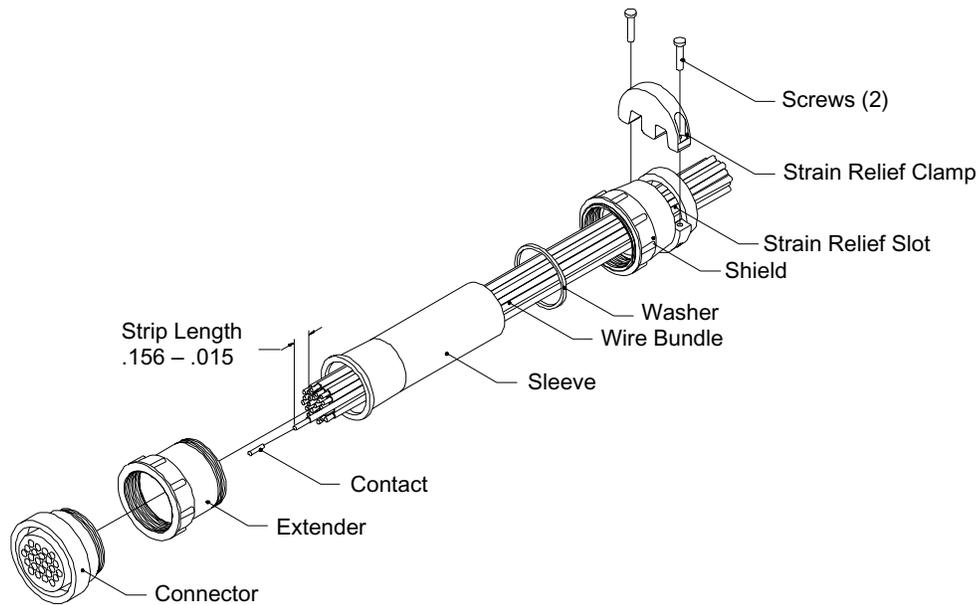


Figure 1: Shield/Strain Relief Assembly

WIRE DESIGNATION AND PIN CONNECTIONS

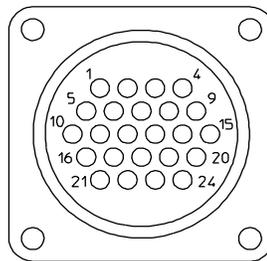


Figure 2: Pin Outs

**345° Non-Pre-Position Models^{5,6}
Feed-through Wiring**

Pin Number	Color
1: NC ¹	
2: NC ¹	
3: NC ¹	
4: NC ¹	
5: Lens Common	Green ²
6: Zoom	Blue ²
7: Focus	Violet ²
8: Unused	Brown ²
9: Unused	Black ²
10: Accessory	White ^{2,3}
11: Accessory	Red ^{2,3}
12: Accessory	Yellow ^{2,3}
13: NC ¹	
14: NC ¹	
15: NC ¹	
16: Pan Left	White
17: NC ¹	
18: Pan Right	Violet
19: P/T Common	Blue
20: Tilt Up	Brown
21: Tilt Down	White/Yellow
22: Ground	Green/Yellow ²
23: Camera AC-Line	Black ^{2,4}
24: Camera AC-Neutral	White ^{2,4}

**345° Non-Pre-Position Models^{5,6}
Standard Wiring**

Pin Number	Color
1: NC ¹	
2: NC ¹	
3: NC ¹	
4: NC ¹	
5: NC ¹	
6: NC ¹	
7: NC ¹	
8: NC ¹	
9: NC ¹	
10: NC ¹	
11: NC ¹	
12: NC ¹	
13: NC ¹	
14: NC ¹	
15: NC ¹	
16: Pan Left	White
17: NC ¹	
18: Pan Right	Violet
19: P/T Common	Blue
20: Tilt Up	Brown
21: Tilt Down	White/Yellow
22: Ground	Green/Yellow ²
23: NC ¹	
24: NC ¹	

**360° Pre-Position and
Non-Pre-Position Models^{7,8}**

Pin Number	Color
1: Pan +5V	Orange ⁸
2: Pan Sense (3)	Wht/Blk/Yel ⁸
3: Pan-5V	Wht/Blk/Red ⁸
4: Tilt Sense	Wht/Blk/Brn ⁸
5: Lens Common	Green ²
6: Zoom	Blue ²
7: Focus	Violet ²
8: NC ¹	
9: NC ¹	
10: Accessory	White ^{2,3}
11: Accessory	Red ^{2,3}
12: Accessory	Yellow ^{2,3}
13: NC ¹	
14: NC ¹	
15: Pan Sense (2)	White/Orange ⁸
16: Pan Left	White
17: NC ¹	
18: Pan Right	Violet
19: P/T Common	Blue
20: Tilt Up	Brown
21: Tilt Down	White/Yellow
22: Ground	Green/Yellow ²
23: Camera AC-Line	Black ^{2,4}
24: Camera AC-Neutral	White ^{2,4}

345° Pre-Position Models^{5,6} Feed-through Wiring

Pin Number	Color
1: PP Supply (+)	Orange ²
2: Pan Position	Yellow ²
3: PP Return (-)	Gray ²
4: Tilt Position	White/Black ²
5: Lens Common	Green ²
6: Zoom	Blue ²
7: Focus	Violet ²
8: Zoom Position	Brown ²
9: Focus Position	Black ²
10: Accessory	White ^{2,3}
11: Accessory	Red ^{2,3}
12: Accessory	Yellow ^{2,3}
13: NC ¹	
14: NC ¹	
15: NC ¹	
16: Pan Left	White
17: NC ¹	
18: Pan Right	Violet
19: P/T Common	Blue
20: Tilt Up	Brown
21: Tilt Down	White/Yellow
22: Ground	Green/Yellow ²
23: Camera AC-Line	Black ^{2,4}
24: Camera AC-Neutral	White ^{2,4}

345° Pre-Position Models^{5,6} Standard Wiring

Pin Number	Color
1: PP Supply (+)	Orange ²
2: Pan Position	Yellow ²
3: PP Return (-)	Gray ²
4: Tilt Position	White/Black ²
5: NC ¹	
6: NC ¹	
7: NC ¹	
8: NC ¹	
9: NC ¹	
10: NC ¹	
11: NC ¹	
12: NC ¹	
13: NC ¹	
14: NC ¹	
15: NC ¹	
16: Pan Left	White
17: NC ¹	
18: Pan Right	Violet
19: P/T Common	Blue
20: Tilt Up	Brown
21: Tilt Down	White/Yellow
22: Ground	Green/Yellow ²
23: NC ¹	
24: NC ¹	

Notes

1. NC -- No Connection, do not use.
2. (Color Codes) indicate feed-thru wiring to camera/housing.
3. Apply to 24 volt models only. Pins 10 thru 12 are not used in 110 volt or 220 volt models.
4. (Color Codes) shown are for 24 volt and 110 volt models. For 220 volt models, color codes are (23) Brown, and (24) Blue.
5. The conductors for pins 16 thru 24 (where applicable) on 220 volt models should be isolated from other wiring with reinforced insulation requirements of DIN VDE 0860/05.89, IEC 65. The conductors for pins 16 thru 24 (where applicable) must be in HAR cord minimum cross sectional area 0.75 mm² (H05 VV-F).
6. Refer to **Figure 6** under Wiring Diagrams for the wiring schematic.
7. Refer to **Figure 7** under Wiring Diagrams for the wiring schematic.
8. Pre-Position models only. Refer to **Figure 8** for the wiring schematic.

3.8 Pan Stops (345° Models)

Locate the three (3) limit stops on the base of the unit. The red limit stop is the Fixed Stop. It is not adjustable and should **not** be removed. The remaining two (2) stops are called the Pan Stops. These are positioned on each side of the pan switch lever.

The two (2) pan stops are adjustable and secured with a set screw. The screws can be accessed through the hole in the end of each stop. Use a 3/32-inch Allen wrench (supplied) to loosen and tighten the set screw. See **Figure 3**.

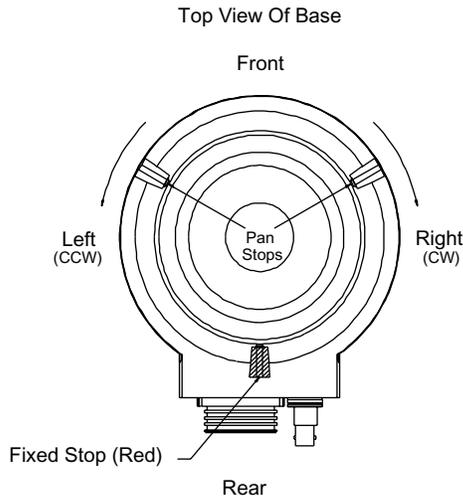


Figure 3: Pan Stop Locations (345° Models)

4 OPERATION

4.1 Manual Pan Operation (345° Models)

The pan stops establish the limits for manual pan. The two (2) adjustable pan stops may be repositioned or removed depending on the desired operation. The maximum pan range setup is shown in **Figure 4**.



Caution: Never move or remove the fixed stop. It must always be in place for proper operation of the pan function.

4.2 Auto-Pan Operation (345° Models)

Use of the auto-pan function requires wiring connections to pin 16 (Pan Left), pin 18 (Pan Right), and pin 19 (Common). See **Figure 6**. The auto-pan function is achieved by the controller unit sensing changes in current flow through the pan motor. When a pan stop is reached, the current flow stops and internal circuitry of the controller unit reverses the auto-pan direction.

Note: The pan/tilt controller must be equipped with special current sensing circuitry to operate the auto-pan function in this mode. The pan stops or the fixed stop establish the limits for auto-pan.

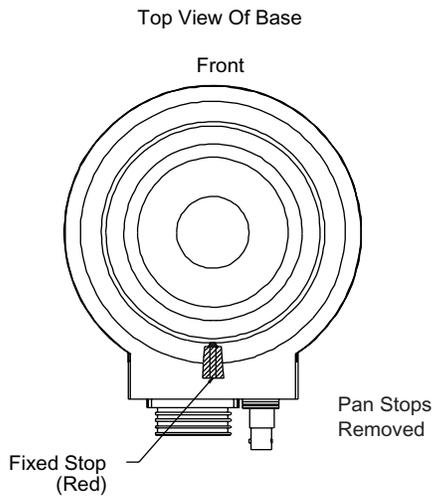


Figure 4: Maximum Manual Pan and Maximum Auto-Pan (345° Models)

4.3 Pan Stop Adjustment (345° Models)

1. Loosen the pan stops and adjust to the desired range for manual pan and auto-pan. A recessed area in the pan head allows enough clearance to remove a stop from the base.
2. When all the stops are in place, check to see that they are secure.
3. Operate the unit from the controller to confirm that the limits are set properly. Readjust if required.

4.4 Pan Operation (360° Models)

These models allow 360 degree rotational (pan) operation. They have no pan stops. These units can be manually panned left or right or they can be panned continuously left or right by auto-pan activation. Auto-Pan activation requires wiring connections to pin 16 (Pan Left), pin 18 (Pan Right), and pin 19 (Common). See **Figure 7**.

4.5 Tilt Stop Adjustment (All Models)

After the unit is installed and all wire connections are made, apply proper power to the control unit. Refer to **Figure 5** and adjust the tilt stops as follows:

1. With the front of the pan/tilt facing you, remove the left hub cap. The tilt stop adjustment screws are now exposed.
2. Using the control unit, tilt the bracket up to the desired position and stop the unit. Use the 3/32-inch Allen wrench to loosen the Tilt Up stop. Slide the stop Up until a faint click is heard (indicating switch actuation). Tighten the Tilt Up limit stop screw.
3. Using the control unit, tilt the bracket to the desired position and stop the unit. Use the 3/32-inch Allen wrench to loosen the Tilt Down stop. Slide the stop Down until a faint click is heard. Tighten the Tilt Down limit stop screw.
4. Operate the control unit to verify proper tilt stop range and operation. Repeat above sequence if necessary. Make certain both tilt stop screws are snug. Replace the hub cap.

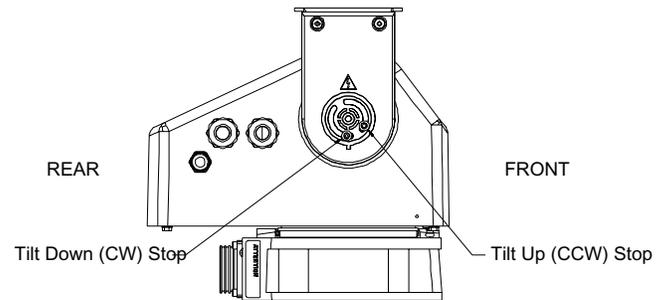


Figure 5: Tilt Stops (Side View - Plug Removed)

4.6 Pre-Position Models

The 345° models with pre-position capability require wiring connections to pins 1 through 4, 8 and 9, and the use of a controller or receiver/driver with the pre-position function. Pan and tilt operation and limit stop adjustments, function the same as the previous models described.



Caution: Do not operate pan/tilt unit without stops. Limit stops should not be adjusted while unit is operating.

5 WIRING DIAGRAMS

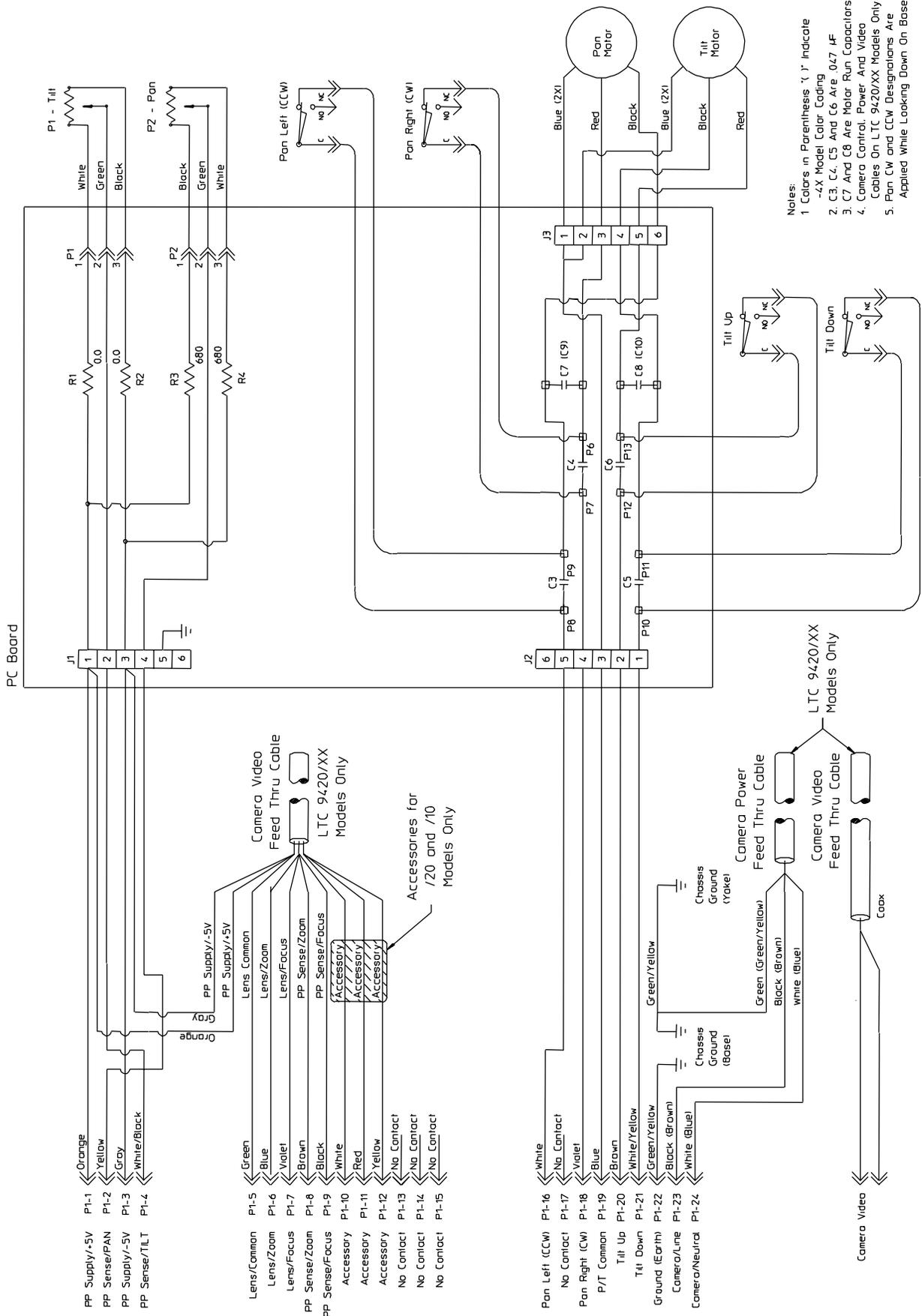


Figure 6: Wiring Diagram - 0° to 345° Models

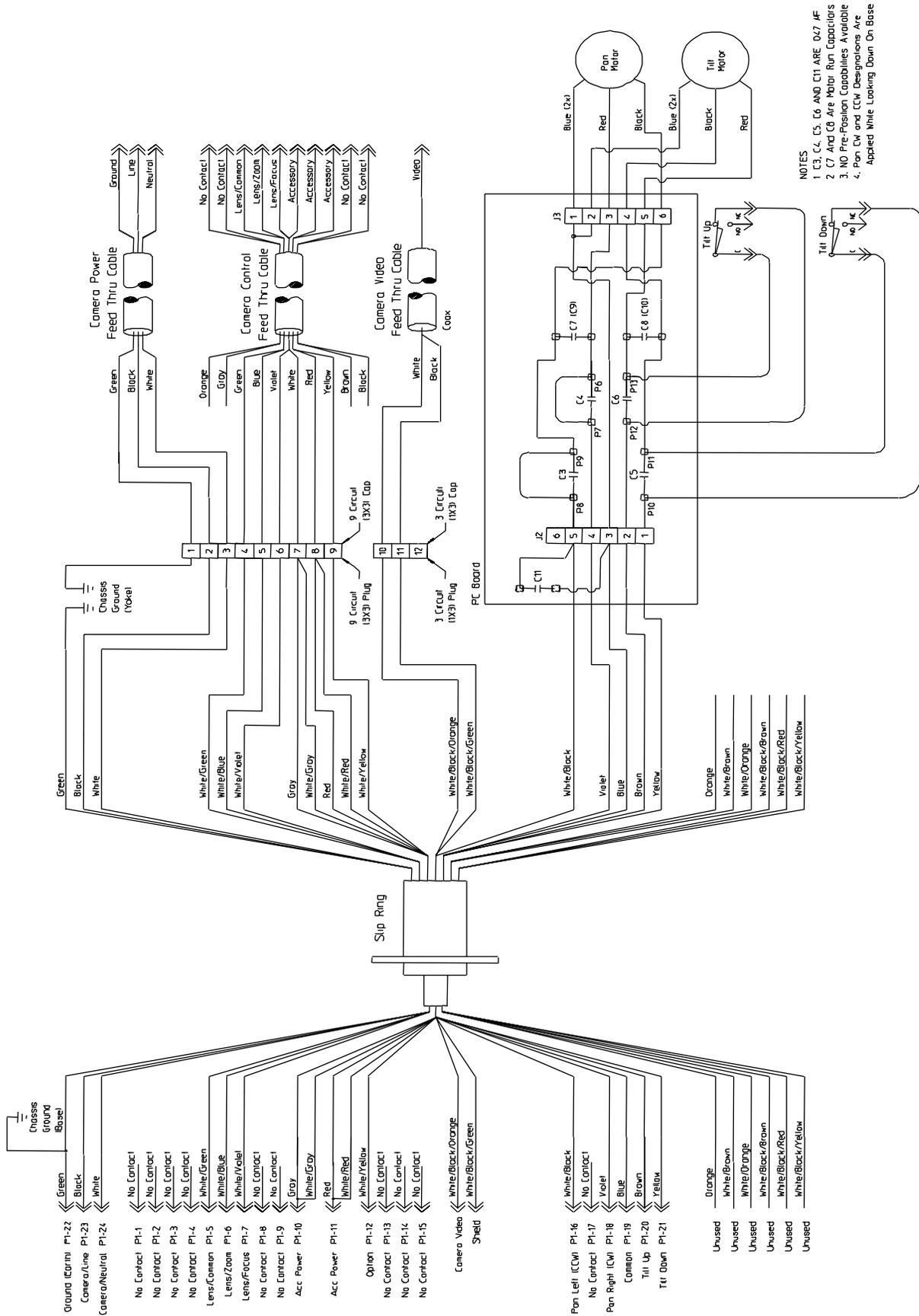
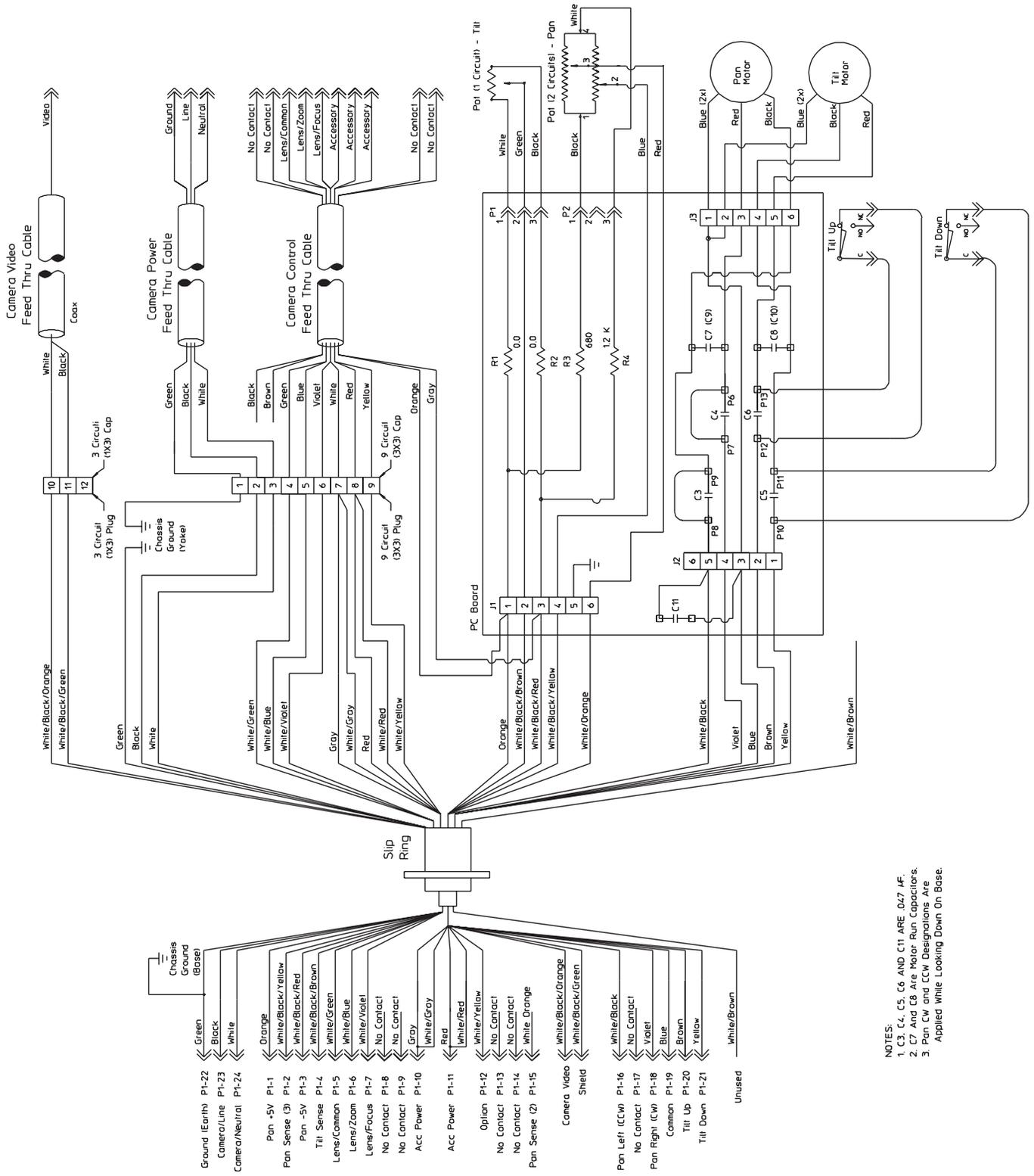


Figure 7: Wiring Diagram - 360° Models



NOTES:
 1. C3, C4, C5, C6 AND C11 ARE 0.047 MF.
 2. C7 AND C8 ARE MOTOR RUN CAPACITORS.
 3. PAN, CW AND CCW DESIGNATIONS ARE APPLIED WHILE LOOKING DOWN ON BASE.

Figure 8: Wiring Diagram - 360° Models

6 RECOMMENDED APPLICATIONS

360° Models Only



Use only 24 volt cameras/housings with 360° model pan/tilts.



The maximum power for heater/blower combinations is 75 watts to prevent overloading the slip ring. This load must be powered by pin 10, (white feed-thru) and pin 11 (red feed-thru). See **Figure 2**.

Feed-thru 24 Volt Models



To maintain cUL and TUV Approval, use only 24 volt cameras/housings.

7 DIMENSIONAL OUTLINE

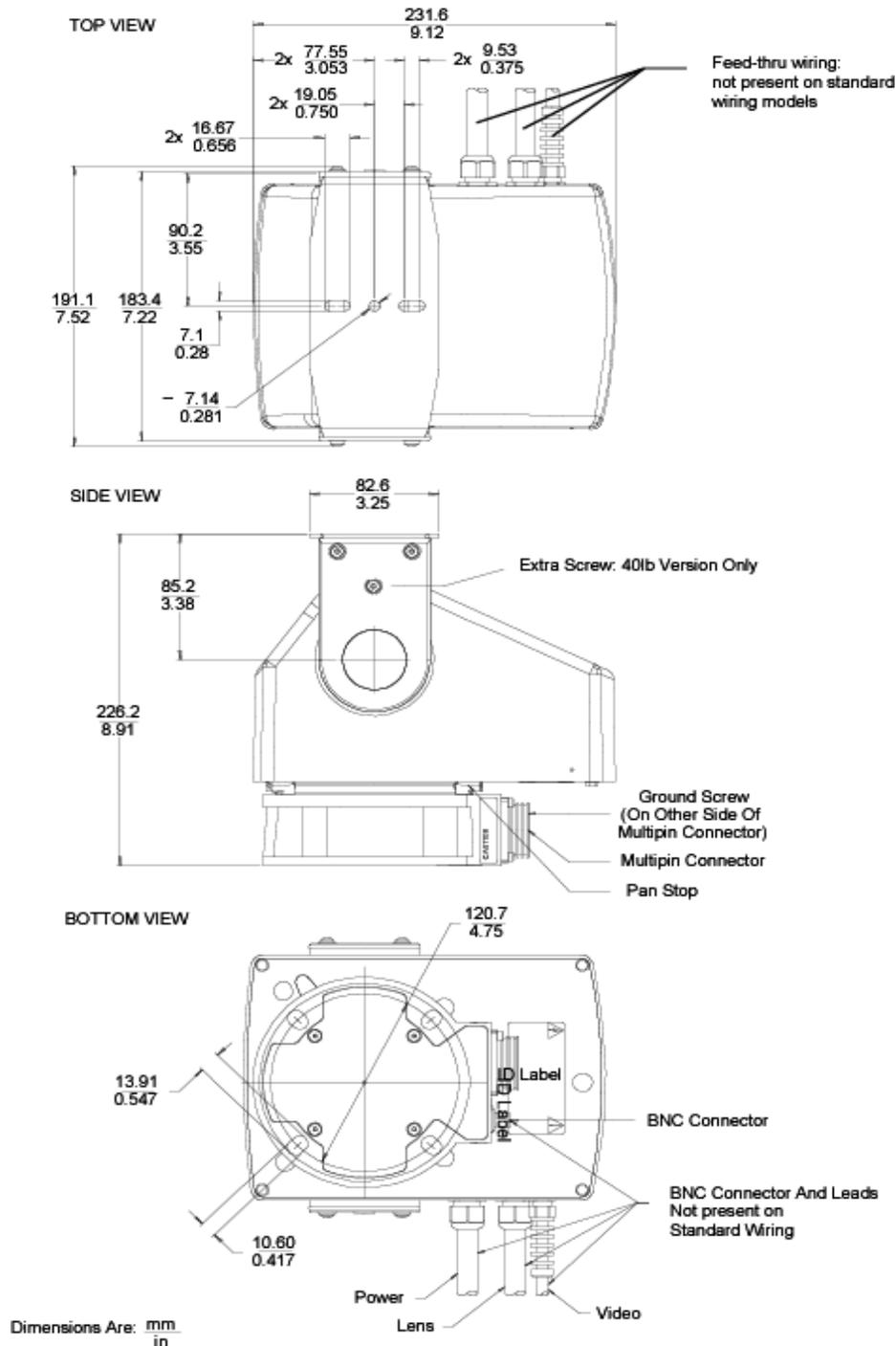


Figure 9

CONSIGNES DE SÉCURITÉ IMPORTANTES

1. Lisez, observez et conservez les instructions ci-après - Lisez et observez scrupuleusement l'ensemble des instructions de sécurité et d'utilisation avant d'employer l'appareil, et conservez-les pour référence ultérieure.

2. Respectez les avertissements - Respectez les différents avertissements repris sur l'appareil et dans les instructions d'utilisation.

3. Fixations - Utilisez exclusivement les fixations recommandées par le fabricant, au risque d'exposer les utilisateurs à des situations potentiellement dangereuses.

4. Mises en garde relatives à l'installation - Évitez de placer l'appareil sur un pied, un trépied, un support ou une monture instable. L'appareil risque de tomber, de provoquer des lésions corporelles graves et de subir des dégâts importants. Utilisez exclusivement les accessoires recommandés par le fabricant ou fournis avec l'appareil. Installez l'appareil conformément aux instructions du fabricant. Si vous utilisez un chariot pour déplacer l'appareil, manipulez le chariot avec précaution. Les arrêts brusques, les forces excessives et les surfaces inégales risquent d'entraîner le renversement du chariot et de l'appareil.

5. Nettoyage - Avant de nettoyer l'appareil, débranchez-le de la prise de courant. Observez les instructions fournies avec l'appareil. En règle générale, l'utilisation d'un chiffon humide suffit pour nettoyer l'appareil. Évitez l'emploi de nettoyeurs liquides ou aérosol.

6. Réparation - N'essayez pas de réparer vous-même l'appareil : l'ouverture et le retrait des capots présente un risque d'électrocution et d'autres dangers. Confiez la réparation de l'appareil à du personnel qualifié.

7. Dégâts nécessitant réparation - Débranchez l'appareil de la prise de courant et confiez la réparation à du personnel qualifié dans les cas suivants :

- Détérioration du cordon ou de la fiche d'alimentation ;
- Infiltration de liquide ou introduction d'objets dans l'appareil ;
- Exposition de l'appareil à l'eau ou aux intempéries (pluie, neige, etc.) ;
- Fonctionnement anormal de l'appareil, malgré l'observation des instructions d'utilisation. Procédez uniquement au réglage des commandes tel qu'indiqué dans les instructions d'utilisation. Tout autre réglage risque d'endommager l'appareil et implique généralement d'importants travaux de réparation par un technicien qualifié ;
- Chute de l'appareil ou dégâts au niveau du boîtier ;
- Constatation d'une modification au niveau des performances de l'appareil.

8. Pièces de rechange - En cas de remplacement de pièces, veillez à ce que le technicien utilise des pièces recommandées par le fabricant ou des pièces présentant les mêmes caractéristiques que les pièces d'origine. L'utilisation de pièces non homologuées présente un risque d'incendie, d'électrocution et d'autres dangers.

9. Contrôle de sécurité - Une fois les travaux d'entretien ou de réparation terminés, demandez au technicien de

procéder à un contrôle de sécurité pour vérifier si l'appareil fonctionne correctement.

10. Alimentation - Utilisez exclusivement le type d'alimentation indiqué sur l'étiquette. En cas de doute sur le type d'alimentation à utiliser, consultez votre revendeur ou votre fournisseur d'électricité local.

- Pour les modèles nécessitant une pile, reportez-vous aux instructions d'utilisation.
- Pour les modèles nécessitant une **alimentation externe**, utilisez exclusivement les sources d'alimentation homologuées recommandées.
- Pour les modèles nécessitant une **source d'alimentation limitée**, utilisez une source d'alimentation conforme à la norme EN60950. L'utilisation d'autres types de source d'alimentation risque d'endommager l'appareil, voire de provoquer un incendie ou une électrocution.
- Pour les modèles nécessitant une **alimentation 24 Vca**, utilisez une tension d'entrée standard de 24 Vca. La tension appliquée à l'entrée d'alimentation de l'appareil ne peut dépasser 30 Vca. Le câblage fourni par l'utilisateur, de l'alimentation 24 Vca vers l'appareil, doit être conforme aux codes d'électricité en vigueur (niveaux de puissance de classe 2). L'alimentation 24 Vca des bornes et des bornes d'alimentation de l'appareil ne doit pas être mise à la terre.

11. Mise à la terre du câble coaxial - Si vous connectez un système de câblage externe à l'appareil, assurez-vous que ce système de câblage est mis à la terre. Modèles américains uniquement : la section 810 du code national d'électricité américain (NEC), ANSI/NFPA n°70, fournit des informations sur la mise à la terre de la monture et de la structure portante, la mise à la terre du câble coaxial vers un dispositif de décharge, la taille des conducteurs de terre, l'emplacement du dispositif de décharge, la connexion aux électrodes de terre et les exigences relatives aux électrodes de terre.

12. Mise à la terre ou polarisation - Cet appareil peut être équipé d'une fiche polarisée de courant alternatif (fiche présentant une broche plus large que l'autre). Grâce à ce dispositif de sécurité, la fiche ne s'insère dans la prise que dans un sens. Si la fiche n'entre pas complètement dans la prise, retournez la fiche. Si le problème persiste, demandez à un électricien de remplacer la prise. Ne retirez en aucun cas le dispositif de sécurité de la fiche polarisée.

Cet appareil peut également être équipé d'une fiche de terre 3 fils (fiche présentant une troisième broche, destinée à la mise à la terre). Grâce à ce dispositif de sécurité, la fiche ne s'insère que dans une prise de terre. Si la fiche n'entre pas dans la prise, demandez à un électricien de remplacer la prise. Ne retirez en aucun cas le dispositif de sécurité de la fiche de terre.

13. Orage - Pour davantage de protection en cas d'orage, ou si vous n'avez pas l'intention d'utiliser l'appareil pendant une période prolongée, débranchez l'appareil de la prise murale et déconnectez le système de câblage. Cette opération permet d'éviter les dégâts au niveau de l'appareil en cas d'orage ou de surtension des lignes électriques.

MESURES DE SÉCURITÉ

MODÈLE DESTINÉ AUX APPLICATIONS D'INTÉRIEUR

1. Eau et humidité - Évitez d'utiliser l'appareil à proximité d'un point d'eau, par exemple dans une cave humide, dans une installation d'extérieur non protégée ou à tout autre endroit exposé à l'humidité.

2. Infiltration de liquide ou introduction d'objets - N'introduisez aucun objet dans les orifices de l'appareil. Ces objets risquent d'entrer en contact avec des points de tension dangereuse, d'entraîner le court-circuit de certains composants et de provoquer un incendie ou une électrocution. Évitez de renverser des substances liquides sur l'appareil.

3. Cordon d'alimentation et protection du cordon d'alimentation - Pour les modèles nécessitant une **alimentation 230 Vca, 50 Hz**, utilisez un cordon d'alimentation d'entrée et de sortie conforme aux exigences imposées par la dernière version de la publication IEC 227 ou 245. Acheminez les cordons d'alimentation de sorte qu'ils ne soient ni piétinés ni comprimés. Portez une attention particulière à l'emplacement des cordons, des fiches, des prises de courant et du point de sortie de l'appareil.

4. Surcharge - Pour éviter tout risque d'incendie ou d'électrocution, ne surchargez pas les prises de courant ni les rallonges.

MODÈLE DESTINÉ AUX APPLICATIONS D'EXTÉRIEUR

1. Lignes électriques - Évitez de placer les systèmes extérieurs à proximité de lignes électriques aériennes, de systèmes d'éclairage électrique, de circuits électriques, ou à un endroit où ils risquent d'entrer en contact avec de tels dispositifs. Lors de l'installation d'un système d'extérieur, évitez de toucher les lignes et les circuits électriques : un tel contact peut être fatal. Modèles américains uniquement : consultez l'article 820 du code national d'électricité américain (NEC) relatif à l'installation des systèmes de câblodistribution (CATV).

MODÈLE DESTINÉ AU MONTAGE EN BÂTI

1. Ventilation - Évitez de placer l'appareil dans un bâti ou dans une installation intégrée, sauf si la ventilation s'y effectue correctement ou si le fabricant préconise une telle disposition. La température de fonctionnement de l'appareil ne peut dépasser la valeur maximale indiquée.

2. Chargement mécanique - Le montage de l'appareil en bâti doit être exempt de tout risque d'accident lié à un chargement mécanique irrégulier.



ATTENTION

RISQUE D'ÉLECTROCUTION.
NE PAS OUVRIR !



Attention : pour éviter tout risque d'électrocution, n'essayez pas de retirer le capot (ou le panneau arrière). Cet appareil ne contient aucun composant susceptible d'être réparé par l'utilisateur. Confiez la réparation de l'appareil à du personnel qualifié.



Ce symbole signale que le produit renferme une « tension potentiellement dangereuse » non isolée susceptible de provoquer une électrocution.



Ce symbole invite l'utilisateur à consulter les instructions d'utilisation et d'entretien (dépannage) reprises dans la documentation qui accompagne l'appareil.



Attention : l'installation doit exclusivement être réalisée par du personnel qualifié, conformément au code national d'électricité américain (NEC) ou au code d'électricité local en vigueur.



Coupure de l'alimentation - Qu'ils soient pourvus ou non d'un commutateur ON/OFF, tous les appareils reçoivent de l'énergie une fois le cordon branché sur la source d'alimentation. Toutefois, l'appareil ne fonctionne réellement que lorsque le commutateur est réglé sur ON. Le débranchement du cordon d'alimentation permet de couper l'alimentation des appareils.

TABLE DES MATIÈRES

1 DÉBALLAGE	4
2 RÉPARATION	4
3 INSTALLATION	4
3.1 Désignation des modèles.....	4
3.2 Supports de montage recommandés.....	5
3.3 Montage mural.....	5
3.4 Montage de l'ensemble caméra/objectif/boîtier	5
3.5 Raccordement électrique.....	5
3.6 Raccordement à la terre.....	5
3.7 Assemblage du connecteur	5
3.8 Butées de balayage horizontal (modèles 345°)	7
4 FONCTIONNEMENT	7
4.1 Fonctionnement du balayage horizontal manuel (modèles 345°)	7
4.2 Fonctionnement du balayage horizontal automatique (modèles 345°)	7
4.3 Réglage des butées de balayage horizontal (modèles 345°)	8
4.4 Fonctionnement du balayage horizontal (modèles 360°).....	8
4.5 Réglage des butées de balayage vertical (tous modèles confondus).....	8
4.6 Modèles avec prépositionnement	8
5 SCHÉMAS DE CÂBLAGE	9
6 APPLICATIONS RECOMMANDÉES	12
7 SCHÉMAS DIMENSIONNELS	12

I DÉBALLAGE

Cet appareil contient des composants électromécaniques. Déballez-le soigneusement et manipulez-le avec précaution.

Vérifiez si tous les éléments ci-dessous figurent dans l'emballage :

- Le numéro de modèle de l'appareil ;
- Une clé Allen 3/32" ;
- Un kit de raccordement 315 1232 001.

Si l'un de ces éléments a été endommagé durant le transport, remplacez-le dans le carton d'emballage et avertissez le transporteur. Si l'un de ces éléments ne figure pas dans l'emballage, avertissez Bosch Security Systems.

Conservez le carton d'emballage pour tout transport ultérieur de l'appareil.

2 RÉPARATION

Si l'appareil doit être réparé, contactez le Centre de réparation Bosch Security Systems, Inc. le plus proche pour obtenir une autorisation de retour d'article et les instructions d'expédition.

Centres de réparation

États-Unis : 800-366-2283 ou 408-956-3895

Fax : 800-366-1329 ou 408-956-3896

E-mail : NationalServiceCenter@ca.slr.com

Canada : 514-738-2434

Europe, Moyen-Orient et région Asie-Pacifique :
800-366-2283

Pour de plus amples informations, visitez le site
www.boschsecuritysystems.com

3 INSTALLATION



L'installation doit exclusivement être réalisée par du personnel qualifié, conformément au code d'électricité local en vigueur.



Avant de brancher ou de débrancher le connecteur électrique du socle à balayage horizontal/vertical, coupez l'alimentation de l'appareil au niveau du module de commande. Installez l'appareil de sorte qu'il soit à l'abri de tout accès non autorisé (hauteur de 3 mètres minimum).



Cet appareil peut être installé en position verticale ou inversée. Pour une étanchéité parfaite dans le cadre d'une installation à l'extérieur en position inversée, placez l'appareil dans un boîtier étanche (par ex. dans un dôme étanche) ou dans une zone protégée.

Avant de procéder à l'installation sur le terrain, testez les socles à balayage horizontal/vertical et le matériel associé afin de vérifier le câblage et le fonctionnement des composants.

LTC 9418 et LTC 9420

La charge maximale ne doit pas dépasser 10 kg (ou le couple 149 kg/cm), à une distance de 63,5 mm du centre de la masse de l'ensemble caméra/objectif/boîtier au centre de la plate-forme basculante.

LTC 9440 et LTC 9441

La charge maximale ne doit pas dépasser 18 kg (ou le couple 297 kg/cm), à une distance de 79,2 mm du centre de la masse de l'ensemble caméra/objectif/boîtier au centre de la plate-forme basculante.

Pour un fonctionnement optimal du socle à balayage horizontal/vertical, le poids combiné de l'ensemble caméra/objectif/boîtier doit être centré de manière uniforme, de l'avant vers l'arrière, sur la surface de la plate-forme basculante.

Reportez-vous à la section « **APPLICATIONS RECOMMANDÉES** ».

3.1 Désignation des modèles

LTC 9418	Capacité de charge : Charge de 10 kg, couple de 149 kg/cm Câblage : standard Alimentation : 24 W
LTC 9420	Capacité de charge : Charge de 10 kg, couple de 149 kg/cm Câblage : coupe-fil Alimentation : 24 W
LTC 9440	Capacité de charge : Charge de 18 kg, couple de 297 kg/cm Câblage : standard Alimentation : 20 W
LTC 9441	Capacité de charge : Charge de 18 kg, couple de 297 kg/cm Câblage : coupe-fil Alimentation : 20 W

	Tension nominale du moteur	Plage de tension
Modèles /60* :	120 Vca, 60 Hz	108 à 132
Modèles /20* :	24 Vca, 60 Hz	21,6 à 26,4
* Modèles 18 kg	24 Vca, 60 Hz	23 à 26,4
Modèles /10 :	24 Vca, 50 Hz	21,6 à 26,4
Modèles /50 :	220 Vca, 50 Hz	207 à 253

Plage de balayage horizontal : 0 à 345° sur les modèles standard, 0 à 360° sur les modèles à balayage horizontal continu. La valeur du prépositionnement est indiquée par -/x1 (par ex. LTC 9441/61).



Attention : la tension d'entrée appliquée aux modèles 24 Vca ne doit pas dépasser 30 Vca. L'application d'une tension supérieure à 30 Vca constitue une infraction à la réglementation relative au fonctionnement à basse tension (appareils de classe 2). Appliquez une tension standard de 24 Vca. Les modèles 24 Vca sont homologués cUL.



Attention : utilisez exclusivement une alimentation de classe 2. Le courant total transitant par le connecteur électrique ne doit pas dépasser 4 A. Le courant transitant par le socle à balayage horizontal/vertical ne doit pas dépasser 1 A. Le courant transitant par l'ensemble caméra/boîtier ne doit pas dépasser 3 A. Utilisez exclusivement des caméras et boîtiers 24 Vca avec les modèles à câblage coupe-fil.

3.2 Supports de montage recommandés

- LTC 9216/00 Support de montage mural à résistance moyenne pour charge maximale de 45,3 kg.
- LTC 9222/00 Support de montage mural à résistance élevée pour charge maximale de 90,6 kg.
- LTC 9214/00 Colonne de 336 mm à résistance élevée pour montage au plafond ou sur support.
- LTC 9224/00 Colonne de 610 mm à résistance élevée pour montage au plafond ou sur support.

3.3 Montage mural

Suivez les instructions fournies avec le support. Le support et la surface de montage doivent pouvoir supporter le poids du socle à balayage horizontal/vertical, de l'ensemble caméra/objectif et du boîtier (le cas échéant). L'ensemble caméra/objectif/boîtier doit être correctement fixé et équilibré sur l'étrier du socle à balayage horizontal/vertical.



Attention : le socle à balayage horizontal/vertical peut uniquement être installé en position verticale ou inversée, jamais en position horizontale.

3.4 Montage de l'ensemble caméra/objectif/boîtier

Pour fixer l'ensemble caméra/objectif/boîtier sur l'étrier du socle à balayage horizontal/vertical, procédez comme suit :

- Équilibrez l'ensemble caméra/objectif/boîtier, puis alignez l'unité sur les trous de montage. Fixez l'ensemble à l'aide d'au moins deux (2) vis 1/4-20 x 1/2" et rondelles d'arrêt.
- Procédez au raccordement électrique. Laissez une longueur de câble suffisante entre l'ensemble caméra/boîtier et le socle à balayage horizontal/vertical afin de permettre les mouvements horizontaux et verticaux.

3.5 Raccordement électrique

- Procédez au câblage conformément aux instructions fournies à la section 3.7 « **Assemblage du connecteur** » et au tableau I « **Longueur maximale des câbles** ».
- Utilisez des câbles blindés distincts pour l'alimentation de la caméra, l'alimentation du boîtier et les commandes du socle à balayage horizontal/vertical. Au besoin, regroupez le câble de commande de l'objectif et le câble coaxial vidéo en un câble commun. L'utilisation d'un câble multiconducteur commun regroupant l'ensemble des fonctions n'est pas recommandée.

- Aidez-vous des conducteurs à code de couleur pour procéder au câblage et à toute identification ultérieure.
- Conservez le schéma de câblage pour référence ultérieure.

Modèle Tension	Calibre des fils		Distance ¹	
	Mm ²	AWG	Pieds	Mètres
24 Vca ²	0,5	20	140	43
	1	18	230	70
	1,5	16	360	110
	2,5	14	590	180
	4	12	940	287
110 Vca	0,5	20	2 200	671
	1	18	3 500	1 067
	1,5	16	5 500	1 677
220 Vca	2,5	14	9 000	2 744
	0,5	20	13 400	4 085
	1	18	21 200	6 463
	1,5	16	33 300	10 152
	2,5	14	54 400	16 585

Tableau I - Longueur maximale des câbles

Remarques relatives au Tableau I :

- Les valeurs sont calculées à 20 °C avec du fil toronné en cuivre étamé, un conducteur commun de mise à la terre (neutre), et les deux moteurs PAN (balayage horizontal) et TILT (balayage vertical) fonctionnant simultanément.
- Pour les modèles 24 Vca fonctionnant à ou à environ -30 °C, les valeurs sont basées sur une tension située dans la plage spécifiée à la section 3.1.

L'utilisation d'un outil de sertissage manuel AMP 58495-I est recommandée pour le sertissage des raccords. Pour l'emplacement des connecteurs numérotés, reportez-vous à la **Figure 2**. Ces connecteurs acceptent les fils de calibre 16 AWG maximum. Si l'utilisation de fils de calibre supérieur s'avère nécessaire, l'application d'un toron en queue de cochon, conformément au code d'électricité local en vigueur, est recommandée.



Attention : utilisez un outil d'extraction AMP 305183 pour démonter les contacts du connecteur.

3.6 Raccordement à la terre

Une vis de mise à la terre est située sur la base de l'appareil, à droite du connecteur (voir **Figure 8**). Connectez un conducteur de terre de calibre 1 mm² (18 AWG) à la prise de terre la plus proche.

3.7 Assemblage du connecteur

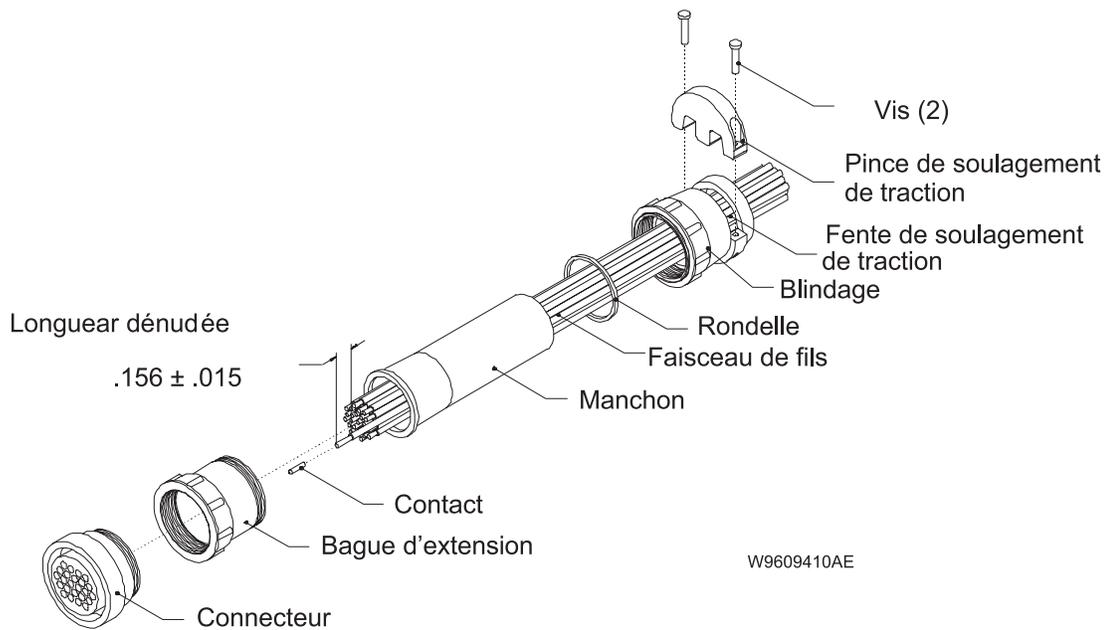
Un connecteur homologué, des raccords et un dispositif de décharge de traction sont fournis avec l'appareil (voir **Figure 1**).

Pour procéder à l'installation, sélectionnez la pince de décharge de traction de taille adéquate. Sélectionnez une des deux pinces de décharge de traction fournies avec le manchon et la bague d'extension. Il est possible de régler la zone de serrage en inversant ou en modifiant les pinces de décharge de traction. Mettez au rebut les quatre dispositifs de décharge de traction situés sur la bande porteuse fournie avec le blindage.

Insérez la pince dans le dispositif de décharge de traction jusqu'à ce qu'elle touche le fond. La pince doit buter sur le faisceau de fils et **non** sur le rebord du blindage. Si le diamètre du fil est trop petit, enveloppez **temporairement** le fil à l'aide de ruban isolant jusqu'à obtention du serrage adéquat. Fixez la pince à l'aide des deux (2) vis fournies.



Attention : assurez-vous que le faisceau de fils est fixé correctement. Évitez de pincer les fils.



W9609410AE

Figure 1 - Ensemble blindage/dispositif de décharge de tension

NOMENCLATURE DES FILS ET CONNEXION DES BROCHES

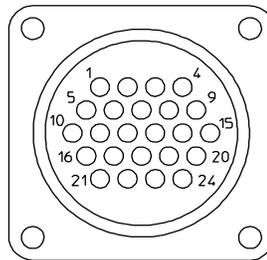


Figure 2 - Brochage

Modèles 345° sans prépositionnement^{5,6}
Câblage coupe-fil

Broche	Couleur
1 : NC ¹	
2 : NC ¹	
3 : NC ¹	
4 : NC ¹	
5 : Commun objectif	Vert ²
6 : Zoom	Bleu ²
7 : Mise au point	Violet ²
8 : Non utilisé	Brun ²
9 : Non utilisé	Noir ²
10 : Accessoire	Blanc ^{2,3}
11 : Accessoire	Rouge ^{2,3}
12 : Accessoire	Jaune ^{2,3}
13 : NC ¹	
14 : NC ¹	
15 : NC ¹	
16 : Horizontal gauche	Blanc
17 : NC ¹	
18 : Horizontal droite	Violet
19 : Commun H/V	Bleu
20 : Vertical haut	Brun
21 : Vertical bas	Blanc/Jaune
22 : Masse	Vert/Jaune ²
23 : Ligne CA caméra	Noir ^{2,4}
24 : Neutre CA caméra	Blanc ^{2,4}

Modèles 345° sans prépositionnement^{5,6}
Câblage standard

Broche	Couleur
1 : NC ¹	
2 : NC ¹	
3 : NC ¹	
4 : NC ¹	
5 : NC ¹	
6 : NC ¹	
7 : NC ¹	
8 : NC ¹	
9 : NC ¹	
10 : NC ¹	
11 : NC ¹	
12 : NC ¹	
13 : NC ¹	
14 : NC ¹	
15 : NC ¹	
16 : Horizontal gauche	Blanc
17 : NC ¹	
18 : Horizontal droite	Violet
19 : Commun H/V	Bleu
20 : Vertical haut	Brun
21 : Vertical bas	Blanc/Jaune
22 : Masse	Vert/Jaune ²
23 : NC ¹	
24 : NC ¹	

Modèles 360° avec et sans prépositionnement^{7,8}

Broche	Couleur
1 : Horizontal +5 V	Orange ⁸
2 : Sens horizontal (3)	Blanc/Noir/Jaune ⁸
3 : Horizontal -5 V	Blanc/Noir/Rouge ⁸
4 : Sens vertical	Blanc/Noir/Brun ⁸
5 : Commun objectif	Vert ²
6 : Zoom	Bleu ²
7 : Mise au point	Violet ²
8 : NC ¹	
9 : NC ¹	
10 : Accessoire	Blanc ^{2,3}
11 : Accessoire	Rouge ^{2,3}
12 : Accessoire	Jaune ^{2,3}
13 : NC ¹	
14 : NC ¹	
15 : Sens horizontal (2)	Blanc/Orange ⁸
16 : Horizontal gauche	Blanc
17 : NC ¹	
18 : Horizontal droite	Violet
19 : Commun H/V	Bleu
20 : Vertical haut	Brun
21 : Vertical bas	Blanc/Jaune
22 : Masse	Vert/Jaune ²
23 : Ligne CA caméra	Noir ^{2,4}
24 : Neutre CA caméra	Blanc ^{2,4}

Modèles 345° avec prépositionnement^{5,6}

Câblage coupe-fil

Broche	Couleur
1 : Alimentation PP (+)	Orange ²
2 : Position horizontale	Jaune ²
3 : Retour PP (-)	Gris ²
4 : Position verticale	Blanc/Noir ²
5 : Commun objectif	Vert ²
6 : Zoom	Bleu ²
7 : Mise au point	Violet ²
8 : Position zoom	Brun ²
9 : Position mise au point	Noir ²
10 : Accessoire	Blanc ^{2,3}
11 : Accessoire	Rouge ^{2,3}
12 : Accessoire	Jaune ^{2,3}
13 : NC ¹	
14 : NC ¹	
15 : NC ¹	
16 : Horizontal gauche	Blanc
17 : NC ¹	
18 : Horizontal droite	Violet
19 : Commun H/V	Bleu
20 : Vertical haut	Brun
21 : Vertical bas	Blanc/Jaune
22 : Masse	Vert/Jaune ²
23 : Ligne CA caméra	Noir ^{2,4}
24 : Neutre CA caméra	Blanc ^{2,4}

Modèles 345° avec prépositionnement^{5,6}

Câblage standard

Broche	Couleur
1 : Alimentation PP (+)	Orange ²
2 : Position horizontale	Jaune ²
3 : Retour PP (-)	Gris ²
4 : Position verticale	Blanc/Noir ²
5 : NC ¹	
6 : NC ¹	
7 : NC ¹	
8 : NC ¹	
9 : NC ¹	
10 : NC ¹	
11 : NC ¹	
12 : NC ¹	
13 : NC ¹	
14 : NC ¹	
15 : NC ¹	
16 : Horizontal gauche	Blanc
17 : NC ¹	
18 : Horizontal droite	Violet
19 : Commun H/V	Bleu
20 : Vertical haut	Brun
21 : Vertical bas	Blanc/Jaune
22 : Masse	Vert/Jaune ²
23 : NC ¹	
24 : NC ¹	

Remarques

1. NC : non connecté, ne pas utiliser.
2. Les codes de couleur indiquent le câblage coupe-fil vers l'ensemble caméra/boîtier.
3. S'applique uniquement aux modèles 24 V. Les broches 10 à 12 ne sont pas utilisées sur les modèles 110 et 220 V.
4. Les codes de couleur indiqués concernent les modèles 24 et 110 V. Pour les modèles 220 V, les codes de couleur sont (23) Brun et (24) Bleu.
5. Les conducteurs des broches 16 à 24 (si applicable) des modèles 220 V doivent être isolés des autres câbles, conformément aux exigences d'isolation renforcée imposées par la norme DIN VDE 0860/05.89, IEC 65. Les conducteurs des broches 16 à 24 (si applicable) doivent présenter une section transversale minimale de 0,75 mm² (H05 VV-F).
6. Pour le schéma de câblage, reportez-vous à la **Figure 6**, section « Schémas de câblage ».
7. Pour le schéma de câblage, reportez-vous à la **Figure 7**, section « Schémas de câblage ».
10. Modèles avec prépositionnement uniquement. Pour le schéma de câblage, reportez-vous à la **Figure 8**.

3.8 Butées de balayage horizontal (modèles 345°)

Repérez les trois (3) butées situées sur la base de l'appareil. La butée de couleur rouge représente la « butée fixe ». Elle ne peut être ni réglée, ni retirée. Les deux (2) autres butées représentent les « butées de balayage horizontal ». Elles sont situées de part et d'autre du levier de commutation du balayage horizontal.

Les deux (2) butées de balayage horizontal sont réglables et se fixent à l'aide d'une vis de blocage. Ces vis sont accessibles via l'orifice situé à l'extrémité de chaque butée. Utilisez la clé Allen 3/32" fournie pour desserrer et resserrer la vis de blocage (voir **Figure 3**).

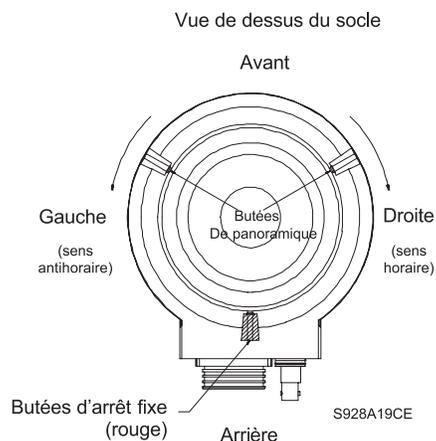


Figure 3 - Emplacement des butées de balayage horizontal (modèles 345°)

4 FONCTIONNEMENT

4.1 Fonctionnement du balayage horizontal manuel (modèles 345°)

Les butées de balayage horizontal déterminent la limite du mouvement horizontal manuel. Les deux (2) butées de balayage horizontal réglables peuvent être déplacées et retirées selon vos besoins. La plage maximale de balayage horizontal est illustrée à la **Figure 4**.



Attention : n'essayez pas de déplacer ni de retirer la butée fixe. Cette butée doit toujours rester en place pour un fonctionnement optimal de la fonction de balayage horizontal.

4.2 Fonctionnement du balayage horizontal automatique (modèles 345°)

L'utilisation de la fonction de balayage horizontal automatique nécessite le câblage des broches 16 (horizontal gauche), 18 (horizontal droite) et 19 (commun) [voir **Figure 6**]. La fonction de balayage horizontal automatique s'exécute lorsque le module de commande détecte des variations de flux de courant dans le moteur de balayage horizontal. Lorsqu'une butée de balayage horizontal est atteinte, le flux de courant s'interrompt et le circuit interne du module de commande inverse la direction de balayage horizontal automatique.

Remarque : pour rendre possible la fonction de balayage horizontal automatique dans ce mode, le module de commande du socle à balayage horizontal/vertical doit être pourvu d'un circuit spécial de détection de courant. Les butées de balayage horizontal ou la butée fixe déterminent la limite du mouvement horizontal automatique.

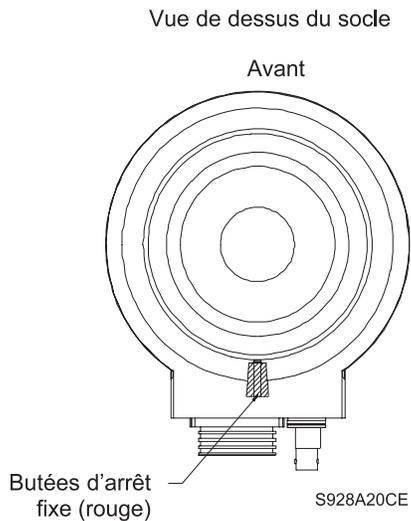


Figure 4 - Plage maximale de balayage horizontal manuel et automatique (modèles 345°)

4.3 Réglage des butées de balayage horizontal (modèles 345°)

1. Desserrez les butées de balayage horizontal, puis réglez-les de sorte à obtenir la plage de balayage horizontal manuel et automatique de votre choix. La cavité de la tête panoramique offre un espace suffisant pour retirer les butées de la base.
2. Une fois toutes les butées en place, assurez-vous qu'elles sont fixées correctement.
3. Faites fonctionner l'appareil à partir du module de commande pour vérifier si les limites sont définies correctement. Au besoin, modifiez le réglage.

4.4 Fonctionnement du balayage horizontal (modèles 360°)

Dotés d'une fonction de balayage horizontal rotatif à 360°, ces modèles ne possèdent aucune butée de balayage horizontal. Ces appareils peuvent être orientés manuellement vers la droite ou vers la gauche, ou peuvent procéder automatiquement à un balayage continu vers la droite ou vers la gauche. L'utilisation de la fonction de balayage horizontal automatique nécessite le câblage des broches 16 (horizontal gauche), 18 (horizontal droite) et 19 (commun) [voir **Figure 7**].

4.5 Réglage des butées de balayage vertical (tous modèles confondus)

Une fois l'appareil installé et le raccordement électrique effectué, appliquez une alimentation appropriée au module de commande (voir **Figure 5**). Pour régler les butées de balayage vertical, procédez comme suit :

1. La face avant du socle à balayage horizontal/vertical dirigée vers vous, retirez le couvercle du moyeu gauche. Les vis de réglage des butées de balayage vertical sont à présent visibles.
2. Utilisez le module de commande pour incliner l'étrier selon vos besoins et pour arrêter l'appareil. Utilisez la clé Allen 3/32" pour desserrer la butée de balayage vers le haut. Glissez la butée de balayage vers le haut jusqu'à ce qu'un léger déclic retentisse (indiquant l'activation du commutateur). Resserrer la vis de la butée de balayage vers le haut.

3. Utilisez le module de commande pour incliner l'étrier selon vos besoins et pour arrêter l'appareil. Utilisez la clé Allen 3/32" pour desserrer la butée de balayage vers le bas. Glissez la butée de balayage vers le bas jusqu'à ce qu'un léger déclic retentisse. Resserrer la vis de la butée de balayage vers le bas.
4. Utilisez le module de commande pour vérifier la plage de balayage vertical et le fonctionnement de l'appareil. Au besoin, répétez la procédure ci-dessus. Assurez-vous que les deux vis de butée de balayage vertical sont fixées correctement. Remplacez le couvercle du moyeu.



Attention : n'utilisez jamais le socle à balayage horizontal/vertical sans les butées. N'essayez pas de régler les butées pendant que l'appareil fonctionne.

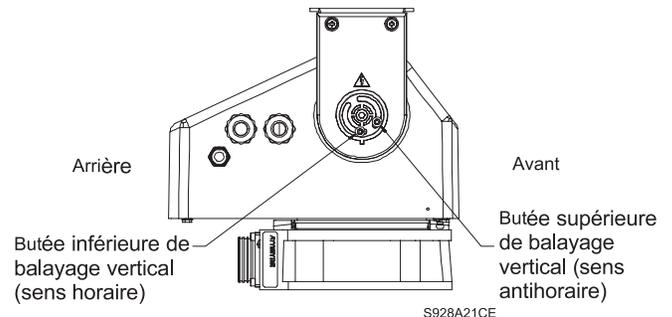


Figure 5 - Butées de balayage vertical (vue latérale, sans couvercle)

4.6 Modèles avec prépositionnement

Les modèles 345° avec prépositionnement nécessitent le câblage des broches 1 à 4, 8 et 9, ainsi que l'utilisation d'un module de commande ou d'un récepteur de commande doté de la fonction de prépositionnement. Le principe de fonctionnement du balayage horizontal et vertical, ainsi que la procédure de réglage des butées, sont identiques à ceux des modèles décrits précédemment.

5 SCHÉMAS DE CÂBLAGE

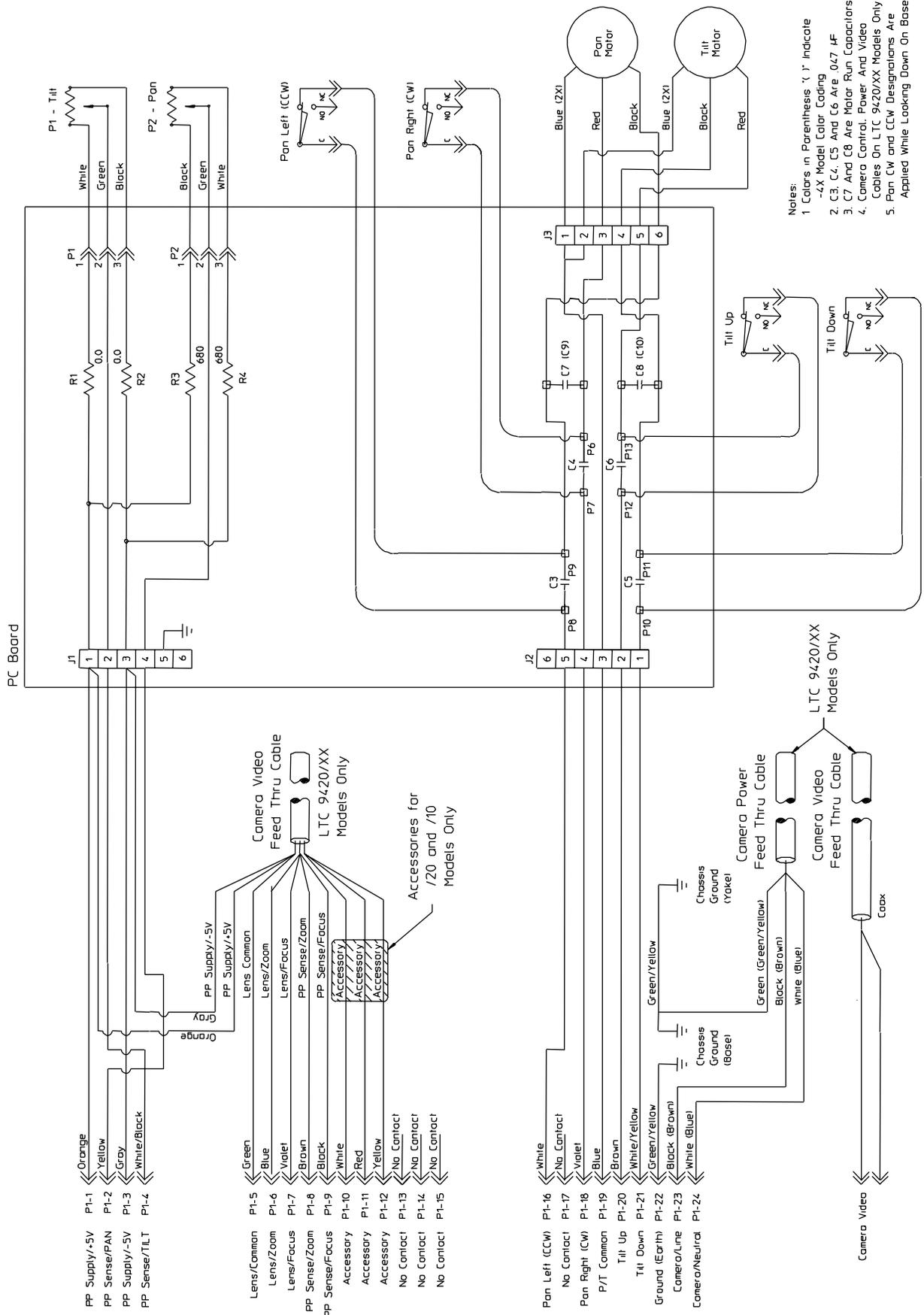


Figure 6 - Schéma de câblage : modèles 0 à 345°

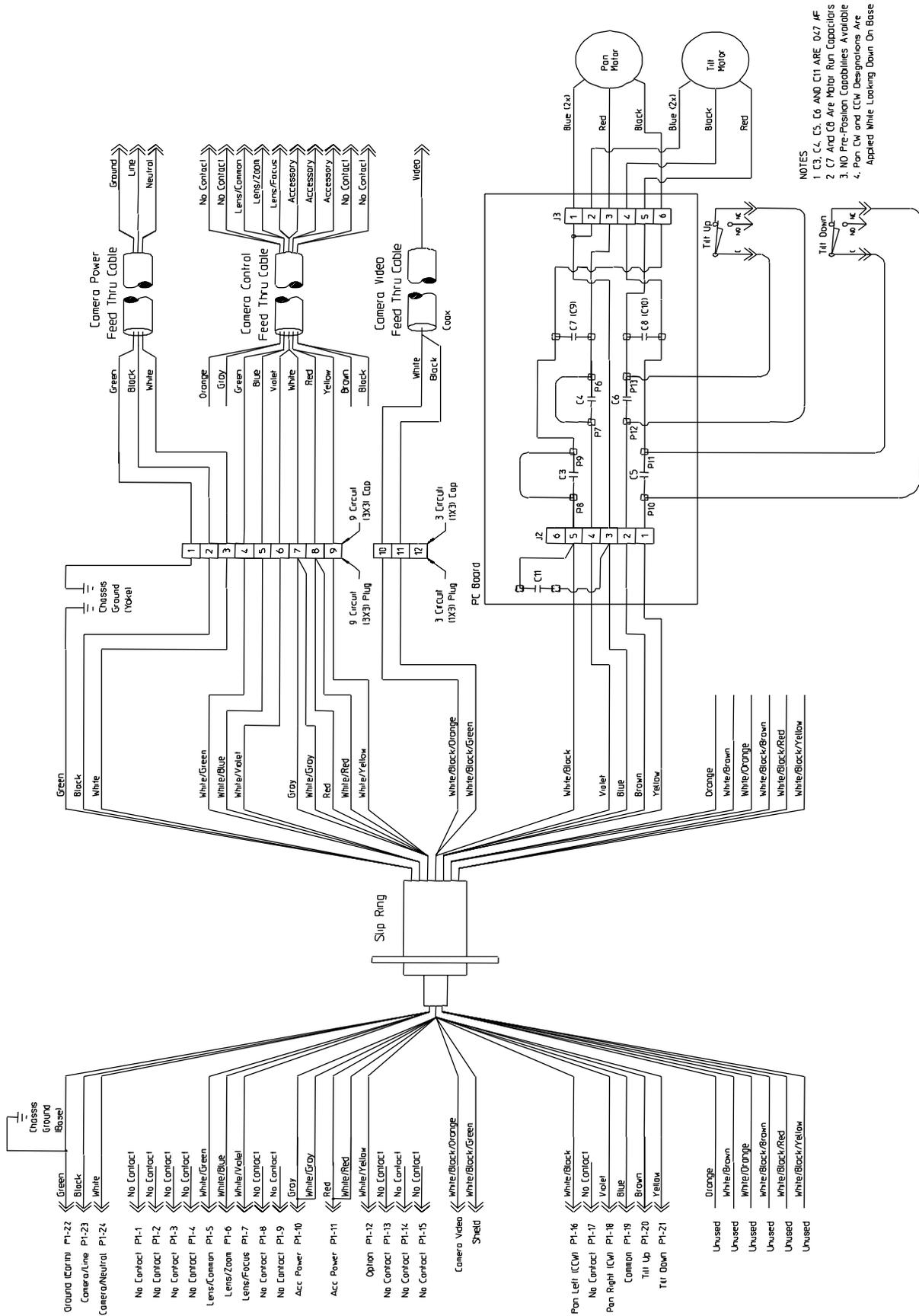
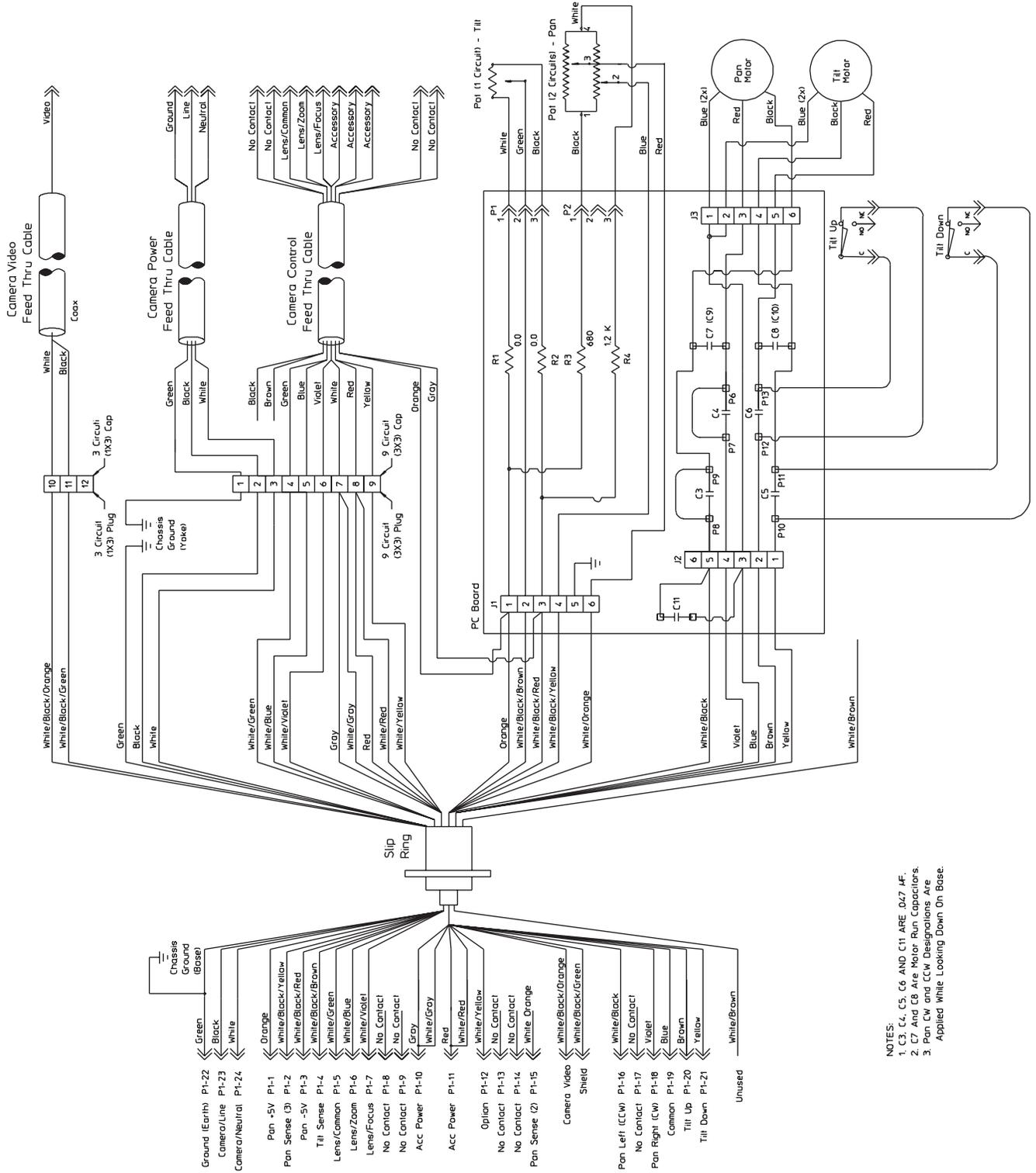


Figure 7 - Schéma de câblage : modèles 360°



NOTES:
 1. C3, C4, C5, C6 AND C11 ARE .047 UF.
 2. C7 AND C8 ARE 1/4W Run Capacitors.
 3. Pan CW and CCW Designations are Applied While Looking Down On Base.

Figure 8 - Schéma de câblage : modèles 360°

6 APPLICATIONS RECOMMANDÉES

Modèles 360° uniquement



Utilisez exclusivement des caméras et boîtiers 24 V avec les modèles 360°.



Pour éviter toute surcharge de la bague collectrice, la puissance maximale des systèmes combinés de chauffage et de ventilation est limitée à 75 W. Cette charge doit être alimentée par les broches 10 (coupe-fil blanc) et 11 (coupe-fil rouge) [voir Figure 2].

Modèles 24 V à câblage coupe-fil



Pour conserver les homologations cUL et TUV, utilisez exclusivement des caméras et boîtiers 24 V.

8 SCHÉMAS DIMENSIONNELS

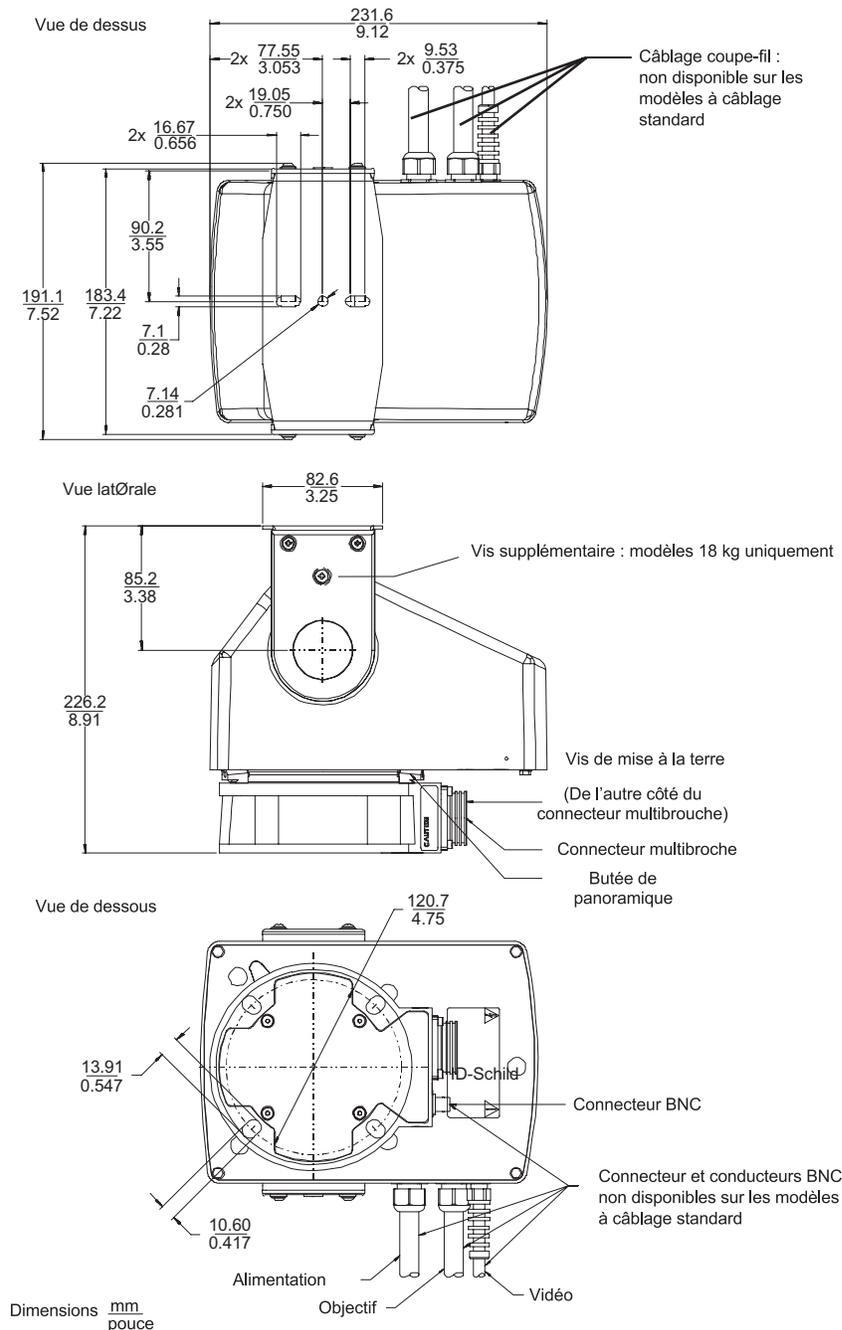


Figure 9

WICHTIGE SICHERHEITSMASSNAHMEN:

1. Anweisungen lesen, befolgen und aufbewahren - Alle Sicherheits- und Bedienungsanweisungen sind vor der Inbetriebnahme des Geräts zu lesen und zu befolgen. Die Anweisungen sind für zukünftiges Nachschlagen aufzubewahren.

2. Warnhinweise beachten – Alle Warnhinweise am Gerät und in der Bedienungsanleitung beachten.

3. Zusatzgeräte - Verwenden Sie keine Zusatzgeräte, die nicht vom Produkthersteller empfohlen werden, da sonst Gefahren auftreten können.

4. Installationshinweise - Bringen Sie dieses Gerät nicht auf einer instabilen Halterung, einem Stativ oder Ähnlichem an. Das Gerät kann sonst zu Boden fallen und so den Benutzer ernsthaft verletzen oder selbst beschädigt werden. Verwenden Sie ausschließlich vom Hersteller empfohlene bzw. die im Lieferumfang des Geräts enthaltenen Zubehörteile. Befestigen Sie das Gerät entsprechend den Anweisungen vom Hersteller. Das Gerät auf einem Wagen darf nur mit äußerster Sorgfalt bewegt werden. Durch unvermitteltes Anhalten, extreme Krafteinwirkung und unebene Oberflächen werden das Gerät und der Wagen möglicherweise zum Umstürzen gebracht.

5. Reinigen - Ziehen Sie den Netzstecker des Geräts aus der Steckdose, bevor Sie es reinigen. Befolgen Sie sämtliche Anweisungen zum Gerät. Normalerweise ist das Reinigen mit einem feuchten Tuch ausreichend. Verwenden Sie keine flüssigen Reiniger oder Reiniger in Sprühdosen.

6. Wartung - Versuchen Sie nicht, das Gerät selbst zu warten. Durch Öffnen oder Entfernen von Abdeckungen können Sie hohen elektrischen Spannungen oder anderen Gefahren ausgesetzt sein. Lassen Sie Wartungsarbeiten nur von qualifiziertem Wartungspersonal ausführen.

7. Im Fall von Beschädigungen, bei denen eine Wartung erforderlich ist - Ziehen Sie den Netzstecker aus der Steckdose, und überlassen Sie das Gerät qualifiziertem Personal zur Wartung, wenn eine der folgenden Bedingungen eintritt:

- Das Netzkabel oder der Netzstecker ist beschädigt.
- Flüssigkeit oder Fremdkörper sind in das Gerät gelangt.
- Das Gerät ist mit Wasser in Kontakt gekommen und/oder wurde rauen Umgebungsbedingungen (z.B. Regen, Schnee, etc.) ausgesetzt.
- Funktioniert das Gerät nicht ordnungsgemäß, obwohl die Betriebshinweise befolgt werden, nehmen Sie nur an jenen Bedienelementen Änderungen vor, die in den Betriebsanweisungen beschrieben werden. Unsachgemäße Änderungen an anderen Bedienelementen können zu Beschädigungen führen, die einen umfangreichen Eingriff eines qualifizierten Servicemitarbeiters erforderlich machen.
- Das Gerät ist zu Boden gefallen oder das Gehäuse wurde beschädigt.
- Eine auffällige Veränderung in der Leistung des Geräts ist aufgetreten. In diesem Fall muss das Gerät gewartet werden.

8. Ersatzteile - Falls Ersatzteile erforderlich sind, hat der Servicemitarbeiter Ersatzteile zu verwenden, die vom Hersteller empfohlen werden bzw. den ursprünglichen Teilen entsprechen. Die Verwendung falscher Ersatzteile kann zu Feuer, einem elektrischen Schlag oder anderen Gefahren führen.

9. Sicherheitstest - Bitten Sie den Servicemitarbeiter, nach dem Abschluss einer Wartung oder Reparatur einen Sicherheitstest auszuführen, um sicherzustellen, dass das Gerät ordnungsgemäß funktioniert.

10. Stromquelle - Das Gerät sollte nur mit der auf dem Etikett genannten Stromquelle betrieben werden. Wenn Sie sich nicht sicher sind, ob Sie das Gerät mit einer bestimmten Stromquelle betreiben können, fragen Sie den Händler, bei dem Sie das Gerät erworben haben, oder Ihren Stromanbieter.

- Nähere Informationen zu Geräten, die mit Batterien betrieben werden, finden Sie in der Bedienungsanleitung.
- Für Geräte, die **mit externen Netzgeräten** betrieben werden, sind nur empfohlene und geprüfte Netzgeräte zu verwenden.
- Für Geräte, die mit einem **Netzgerät mit eingeschränkter Leistung** betrieben werden, hat das Netzgerät der Norm EN60950 zu entsprechen. Andere Ersatznetzgeräte können das vorliegende Gerät beschädigen und zu Feuer oder einem elektrischen Schlag führen.
- Für Geräte, die bei **24 V** Wechselstrom betrieben werden, beträgt die normale Eingangsspannung 24 V Wechselstrom. Die Eingangsspannung am Gerät sollte 30 V Wechselstrom nicht überschreiten. Die vom Kunden bereitgestellte Verdrahtung von der Stromquelle (24 V Wechselspannung) zum Gerät hat den elektrischen Codes (Klasse 2 Leistungsstufen) zu entsprechen. Die Stromquelle (24 V Wechselspannung) ist nicht an den Anschlüssen bzw. an den Stromversorgungsanschlüssen am Gerät zu erden.

11. Koax-Erdung - Wenn ein Kabelsystem für den Außengebrauch mit dem Gerät verbunden ist, stellen Sie sicher, dass das Kabelsystem geerdet ist. In den USA erhältliche Modelle – Abschnitt 810 des National Electrical Code, ANSI/NFPA No.70-1981, enthält Informationen zur ordnungsgemäßen Erdung der Halterung, zur Koax-Erdung an einem Entladegerät, zur Größe von Erdungsleitern, zum Standort des Entladegeräts, zur Verbindung mit Entladungselektroden und zu Anforderungen bezüglich der Entladungselektroden.

12. Erdung oder Polarisierung - Dieses Gerät verfügt möglicherweise über einen polarisierten Wechselstromstecker (ein Stecker, bei dem ein Stift breiter ist als der andere). Bei dieser Schutzsicherung kann der Stecker nur in einer Richtung in eine Steckdose eingesetzt werden. Wenn Sie den Stecker nicht vollständig in die Steckdose einführen können, drehen Sie ihn um und versuchen Sie es erneut. Wenn Sie den Stecker nach wie vor nicht einführen können, bitten Sie einen Elektriker, die Steckdose durch ein neueres Modell zu ersetzen. Versuchen Sie nicht, die Schutzsicherung des polarisierten Steckers zu umgehen.

Alternativ kann das Gerät über einen 3-phasigen Erdungsstecker mit einem dritten (Erdungs-)Stift verfügen. Bei dieser Schutzsicherung kann der Stecker nur in eine geerdete Steckdose eingesetzt werden. Wenn Sie den Stecker nicht in die Steckdose einführen können, bitten Sie einen Elektriker, die Steckdose durch ein neueres Modell zu ersetzen. Versuchen Sie nicht, die Schutzsicherung des geerdeten Steckers zu umgehen.

13. Blitzeinschlag - Schützen Sie das Gerät zusätzlich während eines Gewitters oder wenn es über einen längeren Zeitraum nicht verwendet wird, indem Sie den Stecker aus der Steckdose ziehen und die Verbindung zum Kabelsystem trennen. So kann das Gerät nicht durch einen Blitzeinschlag oder Überspannung beschädigt werden.

SICHERHEITSVORKEHRUNGEN

GERÄTE FÜR DEN INNENEINSATZ

1. Wasser und Feuchtigkeit - Verwenden Sie dieses Gerät nicht in der Nähe von Wasser (z.B. in einem feuchten Keller) oder an feuchten Orten.

2. Eintritt von Fremdkörpern und Flüssigkeit - Stecken Sie keinerlei Fremdkörper in die Öffnungen des Geräts, da Sie so Teile mit hoher Spannung berühren oder Teile kurzschließen können, was zu Feuer oder einem elektrischen Schlag führen kann. Verschütten Sie keinerlei Flüssigkeit über dem Gerät.

3. Netzkabel und Netzkabelschutz - Für Geräte, die bei **230 V Wechselstrom, 50 Hz**, betrieben werden, muss das Ein- und Ausgangsnetzkabel den neuesten Versionen der IEC-Veröffentlichung 227 oder IEC-Veröffentlichung 245 entsprechen. Netzkabel sollten so verlegt werden, dass niemand darauf tritt und dass keine anderen Gegenstände darauf gestellt oder dagegen gelehnt werden. Schützen Sie besonders Kabel, Stecker und Buchsen sowie deren Geräteeintritt.

4. Überlastung - Überlasten Sie Steckdosen und Verlängerungskabel nicht, da dies zu Feuer oder einem elektrischen Schlag führen kann.

GERÄTE FÜR DEN AUSSENEINSATZ

1. Stromleitungen - Ein System für den Außengebrauch darf nicht in der Nähe von Überlandleitungen, elektrischen Leitungen und Stromkreisen verwendet werden, wo es mit diesen Leitungen oder Stromkreisen in Berührung kommen kann. Bei der Installation eines Systems für den Außengebrauch dürfen Sie keinesfalls mit solchen Stromleitungen oder -kreisen in Kontakt kommen, da dieser Kontakt tödlich sein kann. In den USA – Folgen Sie den Vorschriften des National Electrical Code Article 820 für die Installation von CATV-Systemen.

GERÄTE FÜR DIE RACK-MONTAGE

1. Belüftung - Dieses Gerät sollte nirgendwo eingebaut werden, sofern nicht die ordnungsgemäße Belüftung sichergestellt werden kann und die Anweisungen des Herstellers befolgt werden. Die maximale Betriebstemperatur für dieses Gerät sollte nicht überschritten werden.

2. Mechanische Belastung - Beim Aufbau des Geräts in einem Rack ist auf mögliche Gefahren durch ungleiche mechanische Belastung zu achten.



VORSICHT

ELEKTRISCHE SPANNUNG.
NICHT ÖFFNEN!



Vorsicht: Um einen elektrischen Schlag zu vermeiden, ist die Abdeckung (oder Rückseite) nicht zu entfernen. Es befinden sich keine Teile in diesem Bereich, die vom Benutzer gewartet werden können. Lassen Sie Wartungsarbeiten nur von qualifiziertem Wartungspersonal ausführen.



Das Symbol macht auf nicht isolierte „gefährliche Spannung“ im Gehäuse aufmerksam. Dies kann zu einem elektrischen Schlag führen.



Der Benutzer sollte sich ausführlich über Anweisungen für die Bedienung und Instandhaltung (Wartung) in den begleitenden Unterlagen informieren.



Achtung! Die Installation sollte nur von qualifiziertem Kundendienstpersonal gemäß jeweils zutreffender Elektrovorschriften ausgeführt werden.



Unterbrechung des Netzanschlusses. Geräte mit oder ohne Netzschalter haben Spannung am Gerät anliegen, sobald der Netzstecker in die Steckdose gesteckt wird. Das Gerät ist jedoch nur betriebsbereit, wenn der Netzschalter (EIN/AUS) auf EIN steht. Wenn das Netzkabel aus der Steckdose gezogen wird, ist die Spannungszuführung zum Gerät vollkommen unterbrochen.

INHALTSVERZEICHNIS

1 AUSPACKEN	27
2 WARTUNG	27
3 INSTALLATION	27
3.1 Modellbestimmung.....	27
3.2 Empfohlene Montageausrüstung.....	28
3.3 Wandmontage	28
3.4 Montage von Kamera/Objektiv/Gehäuse.....	28
3.5 Elektrische Anschlüsse.....	28
3.6 Erdungsanschluss.....	28
3.7 Steckermontage.....	28
3.8 Schwenkanschlüge (345° Modelle).....	30
4 BETRIEB	30
4.1 Manueller Schwenkbetrieb (345° Modelle).....	30
4.2 Automatischer Schwenkbetrieb (345° Modelle).....	30
4.3 Einstellen der Schwenkanschlüge (345° Modelle).....	31
4.4 Schwenkbetrieb (360° Modelle)	31
4.5 Einstellen der Neigungsanschlüge (Alle Modelle)	31
4.6 Modelle mit voreingestellter Position	31
5 SCHALTPLÄNE	32
6 EMPFOHLENE ANWENDUNGEN	35
7 ABMESSUNGEN	35

I AUSPACKEN

Diese elektronisch-mechanische Ausrüstung muss äußerst vorsichtig behandelt werden.

Das Vorhandensein folgender Artikel überprüfen:

- Modellnummer des Geräts.
- 3/32-Zoll Innensechskantschlüssel.
- Stecker-Kit 315 1232 001

Falls ein Artikel beim Versand beschädigt wurde, legen Sie ihn ordnungsgemäß in den Verpackungskarton zurück, und benachrichtigen Sie die Spedition. Sollten Teile offensichtlich fehlen, benachrichtigen Sie bitte Bosch Security Systems.

Der Versandkarton ist der sicherste Transportbehälter für dieses Gerät. Bewahren Sie ihn für den zukünftigen Gebrauch auf.

2 WARTUNG

Falls für die Einheit ein Reparaturdienst benötigt wird, sollte der Kunde mit der nächsten Kundendienstzentrale von Bosch Security Systems, Inc. in Verbindung treten, um Rückgabeautorisation und Versandanweisungen einzuholen.

Kundendienstzentralen

USA: +1 800-366-2283 oder +1 408-956-3895

Fax: +1 800-366-1329 oder +1 408-956-3896

E-Mail: NationalServiceCenter@ca.slr.com

Kanada: +1 514-738-2434

Europa, Naher Osten und Asien:
800-366-2283

Weitere Informationen finden Sie unter
www.boschsecuritysystems.com

3 INSTALLATION



Die Installation muss von einem qualifizierten Wartungstechniker vorgenommen werden und muss allen örtlich geltenden Vorschriften entsprechen.



Vor dem Verbinden oder Trennen des elektrischen Anschlusses der Schwenkeinheit immer die Stromversorgung zum Gerät an der Steuereinheit trennen. Die Schwenkeinheit muss so angebracht werden, dass ein unbefugter Zugang nicht möglich ist [in mind. 3 m Höhe].



Die Geräte sind für aufrechte oder umgekehrte Installationen konzipiert. Zur Gewährleistung des Wetterschutzes bei umgekehrter Außenmontage muss das Gerät in einem wettergeschützten Gehäuse (z. B. wettergeschütztes Kuppelgehäuse) oder in einem geschützten Außenbereich installiert werden.

Die Schwenkeinheiten sowie sämtliche Zusatzausrüstung muss vor der Montage am Einsatzort getestet werden, um ordnungsgemäße eine Verdrahtung und Funktion der Komponenten sicherzustellen.

LTC 9418 & LTC 9420

Die maximale Belastung beträgt 10 kg oder 149 kg-cm Drehmoment bei einer Distanz von 63,5 mm vom Massenschwerpunkt der Kamera-/Objektiv-/Gehäusebaugruppe zum Mittelpunkt des Kipptisches.

LTC 9440 & LTC 9441

Die maximale Belastung beträgt 18 kg oder 297 kg-cm Drehmoment bei einer Distanz von 79,2 mm vom Massenschwerpunkt zum Mittelpunkt des Kipptisches. Das Gesamtgewicht von Gehäuse/Kamera/Objektiv muss auf dem Kipptisch gleichmäßig zwischen Vorder- und Hinterkante zentriert werden, um eine optimale Schwenk- und Neigefunktion zu gewährleisten.

Siehe **EMPFOHLENE ANWENDUNGEN**.

3.1 Modellbestimmung

Serie LTC 9418	Zulässige Belastung: 10 kg Belastung, 149 kg-cm Drehmoment Verdrahtung: Standard Erforderliche Stromversorgung: 24 W
Serie LTC 9420	Zulässige Belastung: 10 kg Belastung, 149 kg-cm Drehmoment Verdrahtung: Durchführungsverdrahtung Erforderliche Stromversorgung: 24 W
Serie LTC 9440	Zulässige Belastung: 18 kg Belastung, 297 kg-cm Drehmoment Verdrahtung: Standard Erforderliche Stromversorgung: 20 W
Serie LTC 9441	Zulässige Belastung: 18 kg Belastung, 297 kg-cm Drehmoment Verdrahtung: Durchführungsverdrahtung Erforderliche Stromversorgung: 20 W

	Nennspannung	Spannungsbereich
/60-Modelle*:	120 V AC, 60 Hz	108 bis 132
/20-Modelle*:	24 V AC, 60 Hz	21,6 bis 26,4
* 18 kg-Modelle	24 V AC, 60 Hz	23 bis 26,4
/10-Modelle:	24 V AC, 50 Hz	21,6 bis 26,4
/50-Modelle:	220 V AC, 50 Hz	207 bis 253

Schwenkbereich: 0° bis 345° bei Standardmodellen, 0° bis 360° bei Modellen mit durchgängigem Schwenkbereich. Die Voreinstellung ist z.B. festgelegt als -/x1, LTC 9441/61



Achtung: Bei den 24 V AC-Modellen 30 V Eingangsspannung nicht überschreiten. Der Betrieb bei mehr als 30 V AC verstößt gegen die Niederspannungsbestimmungen (Spezifikationen der Klasse 2). Normalbetrieb bei 24 V AC. CUL-zugelassene 24 V AC-Modelle.



Achtung: Nur an eine Stromversorgung der Klasse 2 anschließen. Gesamtstrom durch den elektrischen Anschluss max. 4 A. Schwenk-/Neigungsstrom max. 1 A. Für Kamera/Gehäuse max. 3 A zulässig. Bei Durchführungsmodellen nur 24 V AC-Kameras und -Gehäuse verwenden.

3.2 Empfohlene Montageausrüstung

- LTC 9216/00 Wandträger für mittlere Beanspruchung, ausgelegt für bis zu 45,3 kg.
- LTC 9222/00 Wandträger für hohe Beanspruchung, ausgelegt für bis zu 90,6 kg.
- LTC 9214/00 336 mm Säulen Träger für hohe Beanspruchung für Decke oder Sockel.
- LTC 9224/00 610 mm Säulen Träger für hohe Beanspruchung für Decke oder Sockel.

3.3 Wandmontage

Folgen Sie der mit den Trägern gelieferten Anleitung. Träger und Montagefläche müssen für das Gewicht von Schwenkeinheit, Kamera/Objektiv und Gehäuse (falls verwendet) ausgelegt sein. Das Kamera-/Objektivgehäuse muss korrekt montiert und auf dem Schwenkeinheitsträger ausbalanciert sein.



Achtung: Die Schwenkeinheiten dürfen nur aufrecht oder umgekehrt, jedoch niemals horizontal montiert werden.

3.4 Montage von Kamera/Objektiv/Gehäuse

Kamera/Objektiv/Gehäuse wie folgt am Winkel der Schwenkeinheit befestigen:

1. Kamera/Objektiv/Gehäuse ausbalancieren und die Einheit auf die Montagelöcher ausrichten. Mit mindestens zwei (2) 1/4-20 x 1/2-Zoll langen Schrauben und Sicherungsscheiben befestigen.
2. Alle elektrischen Anschlüsse vornehmen. Ausreichend Kabellänge zwischen Kamera/Gehäuse und Schwenkeinheit lassen, um die Schwenk- und Neigebewegung zu ermöglichen.

3.5 Elektrische Anschlüsse

1. Die Kabel müssen gemäß den Angaben unter **Steckermontage** (Abschnitt 3.7) und **Empfohlene maximale Kabellängen** (Tabelle I) angeschlossen werden.
2. Jeweils unterschiedliche abgeschirmte Kabel für die Stromzufuhr zur Kamera und zum Gehäuse und für die Steuerung der Schwenkeinheit verwenden. Falls erforderlich, ist eine Zusammenführung von Objektivsteuerdrähten und einem Video-Koaxialkabel in einem gemeinsamen Kabel möglich. Von der Verwendung eines gemeinsamen Mehrleiterkabels für alle Funktionen wird abgeraten.

3. Zur Sicherstellung der korrekten Leitungsführung und für zukünftige Identifikation sind Leiter mit Farbkennungen zu verwenden.
4. Den Schaltplan für den späteren Gebrauch aufbewahren.

Modell-Spannung	Drahtdicke		Distanz'	
	mm ²	AWG	Fuß	Meter
24 V AC ²	0,5	20	140	43
	1	18	230	70
	1,5	16	360	110
	2,5	14	590	180
	4	12	940	287
110 V AC	0,5	20	2200	671
	1	18	3500	1067
	1,5	16	5500	1677
	2,5	14	9000	2744
220 V AC	0,5	20	13400	4085
	1	18	21200	6463
	1,5	16	33300	10152
	2,5	14	54400	16585

Tabelle I Empfohlene maximale Kabellängen

Hinweise zu Tabelle I

5. Werte bei 20 °C unter Verwendung von gelitztem verzinnem Kupferdraht, einem gemeinsamen Erdleiter (Nulleiter) und mit gleichzeitig laufenden SCHWENK- und NEIGUNGSmotoren berechnet.
6. Die Werte für 24 V AC-Modelle, die bei Werten um -30° C in Betrieb liegen, basieren auf dem Einhalten der Werte des unter Abschnitt 3.1 dargestellten Spannungsbereichs.

Für das Quetschen der Kabelschuhe wird eine AMP Hand-Quetschzange Nr. 58495-I empfohlen. Die nummerierten Anschlusspositionen sind **Abbildung 2** zu entnehmen. Der Stecker nimmt Draht bis zur AWG-Nr.16 auf. Wenn dickere Drähte erforderlich sind, werden Anschlusslizen gemäß den örtlich geltenden Vorschriften empfohlen.



Achtung: Zum Entfernen von Kontakten ist ein AMP-Abzugswerkzeug Nr. 305183 erforderlich.

3.6 Erdungsanschluss

Eine Erdungsschraube befindet sich unten rechts am Stecker. Siehe **Abbildung 8**. Einen mm² (AWG No.18) Erdleiter an den nächsten Erdungspunkt anschließen.

3.7 Steckermontage

Im Lieferumfang der Einheit sind ein Steckverbinder, Buchsen und eine Zugentlastung enthalten. Siehe **Abbildung 1**.

Für die Installation die Zugentlastungsklemme der passenden Größe herausuchen. Eine der beiden, mit Buchse und Ansatz gelieferten Zugentlastungsklemmen verwenden. Der Klemmbereich ist durch Umkehrung oder Auswechseln der Zugentlastungsklemmen verstellbar. Die vier Zugentlastungen auf dem mit der Abschirmung verpackten Versandstreifen verwerfen.

Die Klemme in die Zugentlastung einsetzen, bis sie aufliegt. Die Klemme muss auf dem Drahtbündel und darf **nicht** auf dem Ansatz der Abschirmung aufliegen. Wenn der Drahtdurchmesser nicht ausreicht, den Draht **vorübergehend** mit Isolierband umwickeln, bis eine ordnungsgemäße Verklemmung vorliegt. Die Klemme mit den zwei (2) gelieferten Schrauben sichern.



Achtung: Die richtige Sicherung des Drahtbündels muss gewährleistet sein. Die Drähte NICHT quetschen.

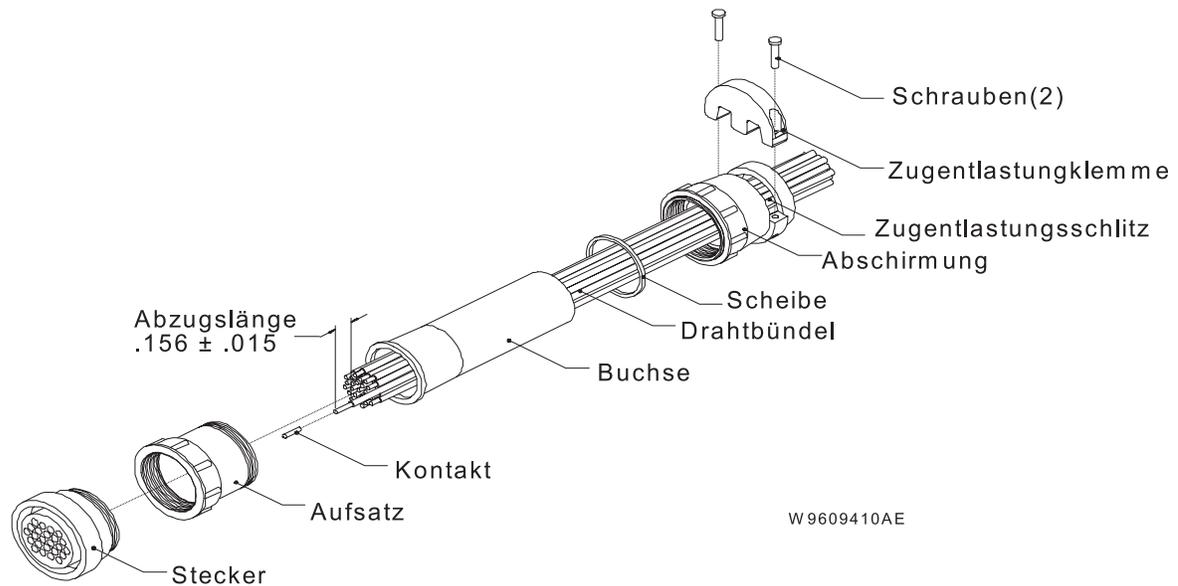


Abbildung 1: Montage von Abschirmung und Zugentlastung

DRAHTBEZEICHNUNG UND PIN-ANSCHLÜSSE

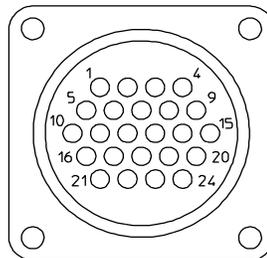


Abbildung 2: Pin-Ausgänge

345° Modelle ohne voreingestellte Position^{5,6}

Durchführungsverdrahtung

Pin-Nummer	Farbe
1: KA ¹	
2: KA ¹	
3: KA ¹	
4: KA ¹	
5: Linse gem.	Grün ²
6: Zoom	Blau ²
7: Fokus	Violett ²
8: Nicht benutzt	Braun ²
9: Nicht benutzt	Schwarz ²
10: Zubehör	Weiß ^{2,3}
11: Zubehör	Rot ^{2,3}
12: Zubehör	Gelb ^{2,3}
13: KA ¹	
14: KA ¹	
15: KA ¹	
16: Linksschwenk	Weiß
17: KA ¹	
18: Rechtsschwenk	Violett
19: S/N gem.	Blau
20: Nach oben	Braun
21: Nach unten	Weiß/Gelb
22: Erde	Grün/Gelb ²
23: Kamera WS-Leitung	Schwarz ^{2,4}
24: Kamera WS-Nulleiter	Weiß ^{2,4}

345° Modelle ohne voreingestellte Position^{5,6}

Standardverdrahtung

Pin-Nummer	Farbe
1: KA ¹	
2: KA ¹	
3: KA ¹	
4: KA ¹	
5: KA ¹	
6: KA ¹	
7: KA ¹	
8: KA ¹	
9: KA ¹	
10: KA ¹	
11: KA ¹	
12: KA ¹	
13: KA ¹	
14: KA ¹	
15: KA ¹	
16: Linksschwenk	Weiß
17: KA ¹	
18: Rechtsschwenk	Violett
19: S/N gem.	Blau
20: Nach oben	Braun
21: Nach unten	Weiß/Gelb
22: Erde	Grün/Gelb ²
23: KA ¹	
24: KA ¹	

360° Modelle mit voreingestellter Position und

Modelle ohne voreingestellte Position^{7,8}

Pin-Nummer	Farbe
1: Schwenkung + 5 V	Orange ⁸
2: Schwenkung (3)	Weiß/Schw/Gilb ⁸
3: Schwenkung - 5 V	Weiß/Schw/Rot ⁸
4: Neigungsrichtung	Weiß/Schw/Brn ⁸
5: Linse gem.	Grün ²
6: Zoom	Blau ²
7: Fokus	Violett ²
8: KA ¹	
9: KA ¹	
10: Zubehör	Weiß ^{2,3}
11: Zubehör	Rot ^{2,3}
12: Zubehör	Gelb ^{2,3}
13: KA ¹	
14: KA ¹	
15: Neigungsrichtung (2)	Weiß/Orange ⁸
16: Linksschwenk	Weiß
17: KA ¹	
18: Rechtsschwenk	Violett
19: S/N gem.	Blau
20: Nach oben	Braun
21: Nach unten	Weiß/Gelb
22: Erde	Grün/Gelb ²
23: Kamera WS-Leitung	Schwarz ^{2,4}
24: Kamera WS-Nulleiter	Weiß ^{2,4}

345° Modelle mit voreingestellter Position^{5,6}

Durchführungsverdrahtung

Pin-Nummer	Farbe
1: PP-Zufuhr (+)	Orange ²
2: Schwenkposition	Gelb ²
3: PP -Zurück (-)	Grau ²
4: Neigungsposition	Weiß/Schwarz ²
5: Linse gem.	Grün ²
6: Zoom	Blau ²
7: Fokus	Violett ²
8: Zoomposition	Braun ²
9: Fokusposition	Schwarz ²
10: Zubehör	Weiß ^{2,3}
11: Zubehör	Rot ^{2,3}
12: Zubehör	Gelb ^{2,3}
13: KA ¹	
14: KA ¹	
15: KA ¹	
16: Linksschwenk	Weiß
17: KA ¹	
18: Rechtsschwenk	Violett
19: S/N gem.	Blau
20: Nach oben	Braun
21: Nach unten	Weiß/Gelb
22: Erde	Grün/Gelb ²
23: Kamera WS-Leitung	Schwarz ^{2,4}
24: Kamera WS-Nullleiter	Weiß ^{2,4}

345° Modelle mit voreingestellter Position^{5,6}

Standardverdrahtung

Pin-Nummer	Farbe
1: PP-Zufuhr (+)	Orange ²
2: Schwenkposition	Gelb ²
3: PP-Zurück (-)	Grau ²
4: Neigungsposition	Weiß/Schwarz ²
5: KA ¹	
6: KA ¹	
7: KA ¹	
8: KA ¹	
9: KA ¹	
10: KA ¹	
11: KA ¹	
12: KA ¹	
13: KA ¹	
14: KA ¹	
15: KA ¹	
16: Linksschwenk	Weiß
17: KA ¹	
18: Rechtsschwenk	Violett
19: S/N gem.	Blau
20: Nach oben	Braun
21: Nach unten	Weiß/Gelb
22: Erde	Grün/Gelb ²
23: KA ¹	
24: KA ¹	

Anmerkungen

1. KA - Kein Anschluss, nicht verwenden.
2. (Farbkennung) gibt die Durchführungsverdrahtung zu Kamera/Gehäuse an.
3. Nur bei 24 V Modellen. Pins 10 bis 12 werden bei 110 V oder 220 V Modellen nicht genutzt.
4. (Farbkennung) für 24 V und 110 V Modelle. Für 220 V Modelle sind die Farbkennungen (23) Braun und (24) Blau.
5. Die Leiter für Pins 16 bis 24 (wo zutreffend) müssen bei 220 V Modellen gemäß den verstärkten Isolationsanforderungen nach DIN VDE 0860/05.89, IEC 65 von den anderen Drähten isoliert werden. Die Leiter für Pins 16 bis 24 (wo zutreffend) müssen in einem minimalen HAR-Leitungsquerschnittsbereich von 0,75 mm² (H05 VV-F) liegen.
6. Einzelheiten zur Verdrahtung siehe **Abbildung 6** unter Schaltpläne.
11. Einzelheiten zur Verdrahtung siehe **Abbildung 7** unter Schaltpläne.
12. Nur bei Modellen mit voreingestellter Position. Einzelheiten zur Verdrahtung siehe **Abbildung 8**.

3.8 Schwenkanschläge (345° Modelle)

Die drei (3) Endanschläge befinden sich am Boden der Einheit. Der rote Endanschlag ist der feststehende Anschlag. Er ist nicht verstellbar und darf **nicht** entfernt werden. Die beiden (2) anderen Anschläge werden als Schwenkanschläge bezeichnet. Sie befinden sich auf beiden Seiten des Schwenkschalthebels.

Die zwei (2) Schwenkanschläge sind verstellbar und mit je einer Stellschraube gesichert. Zugang zu den Schrauben erfolgt durch das Loch am Ende jedes Anschlags. Den (gelieferten) 3/32-Zoll Innensechskantschlüssel zum Lockern und Festziehen der Schrauben verwenden. Siehe **Abbildung 3**.

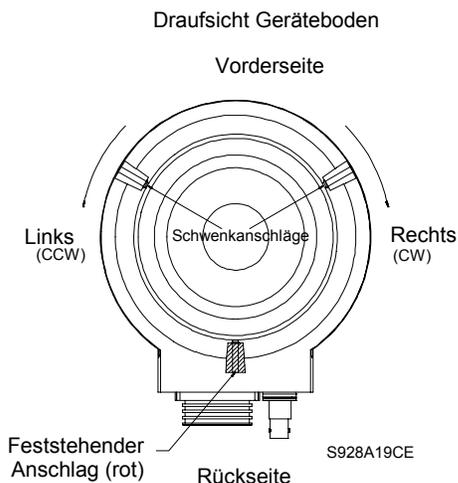


Abbildung 3: Anordnung der Schwenkanschläge (345° Modelle)

4 BETRIEB

4.1 Manueller Schwenkbetrieb (345° Modelle)

Die Schwenkanschläge bilden die Endpunkte für den manuellen Schwenkbetrieb. Die zwei (2) verstellbaren Schwenkanschläge können in Abhängigkeit vom gewünschten Betrieb verschoben oder entfernt werden. Die maximale Schwenkbereichseinstellung ist in **Abbildung 4** dargestellt.



Achtung: Den feststehenden Anschlag unter keinen Umständen verschieben oder entfernen. Für eine ordnungsgemäße Funktion des Schwenkbetriebs muss er stets vorhanden sein.

4.2 Automatischer Schwenkbetrieb (345° Modelle)

Für die Verwendung der automatischen Schwenkfunktion sind Leitungsanschlüsse an Pin 16 (Linksschwenk), Pin 18 (Rechtsschwenk) und Pin 19 (Gemeinsam) erforderlich. Siehe **Abbildung 6**. Die automatische Schwenkfunktion wird realisiert, indem die Steuereinheit Änderungen im Stromfluss durch den Schwenkmotor registriert. Wenn ein Schwenkanschlag erreicht wird, wird der Stromfluss unterbrochen, und die interne Schaltung der Steuereinheit kehrt die Schwenkrichtung automatisch um.

Hinweis: Die Steuereinheit der Schwenkeinheit muss mit einer speziellen Strommessschaltung ausgestattet sein, um die automatische Schwenkfunktion in diesem Modus zu bedienen. Die Schwenkanschläge oder der feststehende Anschlag bilden die Endpunkte für den automatischen Schwenkbetrieb.

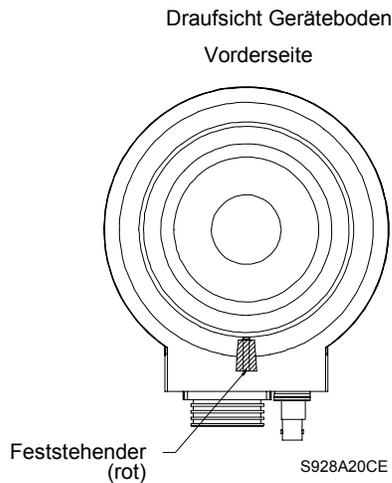


Abbildung 4: Maximaler manueller und automatischer Schwenkbereich (345° Modelle)

4.3 Einstellen der Schwenkansschläge (345° Modelle)

1. Die Schwenkansschläge lockern und auf den gewünschten Bereich für den manuellen oder automatischen Schwenkbetrieb einstellen. Eine Aussparung im Schwenkkopf bietet genügend Platz zum Entfernen eines Anschlags aus dem Boden.
2. Wenn alle Anschläge eingestellt sind, müssen sie auf festen Sitz überprüft werden.
3. Das Gerät von der Steuereinheit aus betreiben, um die richtige Einstellung der Endpunkte zu bestätigen. Ggf. neu einstellen.

4.4 Schwenkbetrieb (360° Modelle)

Diese Modelle ermöglichen einen Dreh-(Schwenk-)Betrieb um 360 Grad. Sie weisen keine Schwenkansschläge auf. Sie können manuell nach links oder rechts geschwenkt oder bei automatischer Schwenkaktivierung kontinuierlich nach links oder rechts geschwenkt werden. Die automatische Schwenkbetriebsaktivierung erfordert Leitungsanschlüsse an Pin 16 (Linksschwenk) Pin 18 (Rechtsschwenk) und Pin 19 (Gemeinsam). Siehe **Abbildung 7**.

4.5 Einstellen der Neigungsansschläge (Alle Modelle)

Nach der Installation der Einheit und dem Anschluss der Leitungen die Steuereinheit mit der korrekten Spannung versorgen. Nähere Informationen erhalten Sie in **Abbildung 5**. Die Anschläge wie folgt einstellen:

1. Die linke Abdeckung entfernen, dabei ist die Vorderseite der Schwenkeinheit Ihnen zugewandt. Die Stellschrauben der Neigungsansschläge liegen nun frei.
2. Mit der Steuereinheit den Träger in die gewünschte Position neigen und dann stoppen. Mit dem 3/32-Zoll Innensechskantschlüssel den Neigungsanschlag lockern. Den Anschlag nach oben verschieben, bis ein leichtes Klicken zu hören ist (dieses weist auf die Schalterbetätigung hin). Die Stellschraube des Neigungsanschlags festziehen.

3. Mit der Steuereinheit den Träger in die gewünschte Position neigen und dann stoppen. Mit dem 3/32-Zoll Innensechskantschlüssel den Neigungsanschlag lockern. Den Anschlag nach unten verschieben, bis ein leichtes Klicken zu hören ist (dieses weist auf die Schalterbetätigung hin). Die Stellschraube des Neigungsanschlags festziehen.
4. Zur Überprüfung der ordnungsgemäßen Funktion und des gewünschten Neigungsbereichs der Anschläge die Steuereinheit betätigen. Den Vorgang ggf. wiederholen. Stellen Sie sicher, dass beide Stellschrauben des Neigungsanschlags gut sitzen. Anschließend die Abdeckung wieder anbringen.



Achtung: Die Schwenkeinheit nicht ohne Anschläge betreiben. Die Anschläge nicht während des Betriebs einstellen.

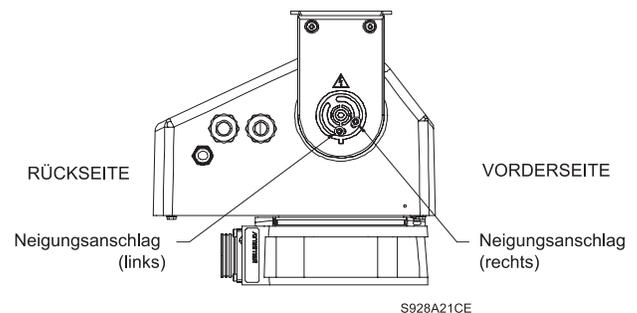


Abbildung 5: Neigungsansschläge (Seitenansicht - Abdeckung entfernt)

4.6 Modelle mit voreingestellter Position

Die 345° Modelle mit voreingestellten Positionen erfordern den Anschluss der Pins 1 bis 4, 8 und 9 sowie die Verwendung eines Empfängers/Treibers mit Voreinstellungsfunktion. Der Schwenkbetrieb und die Einstellung der Endanschläge entsprechen denen der oben beschriebenen Modelle.

5 SCHALTPLÄNE

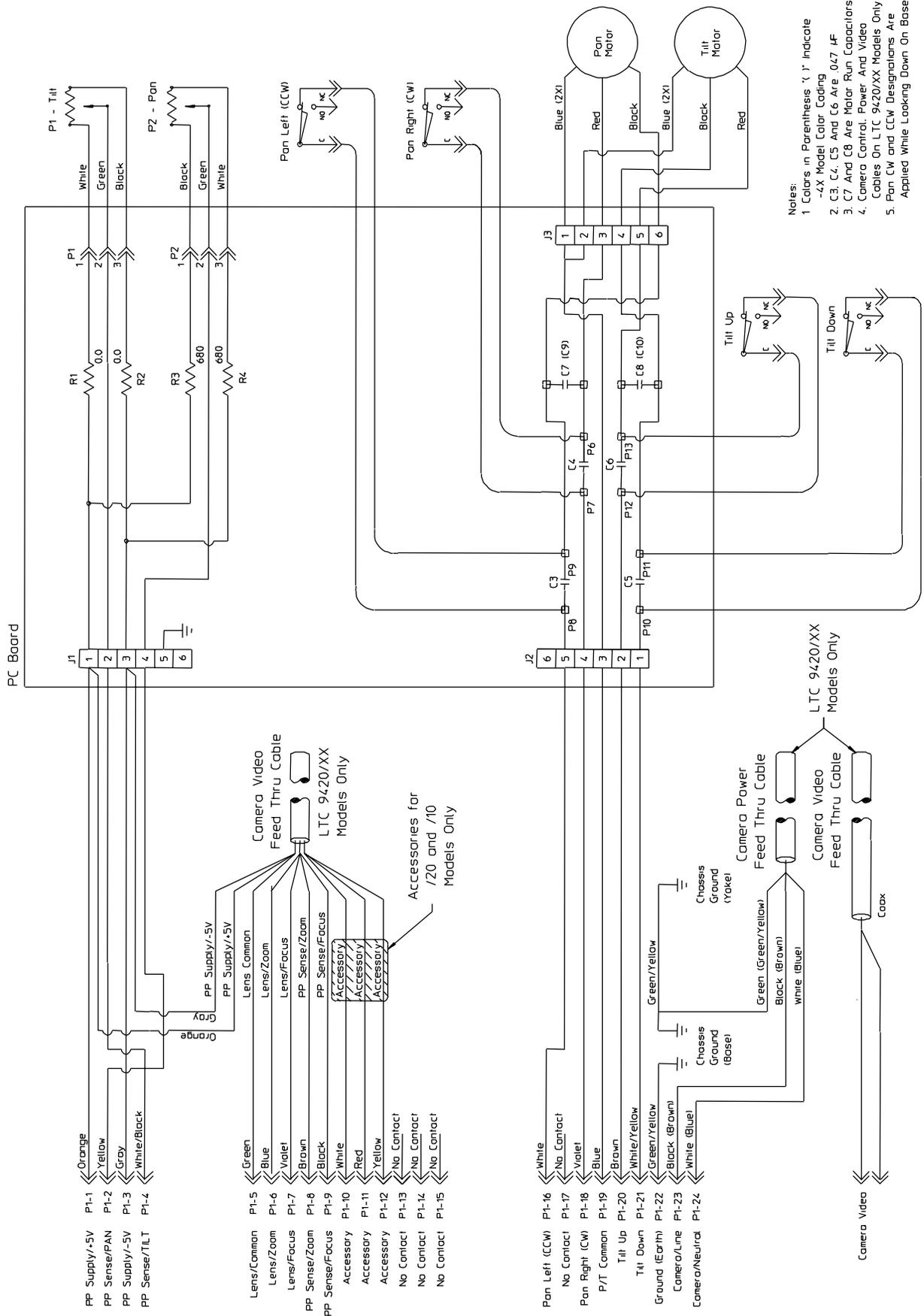


Abbildung 6: Schaltplan - 0° bis 345° Modelle

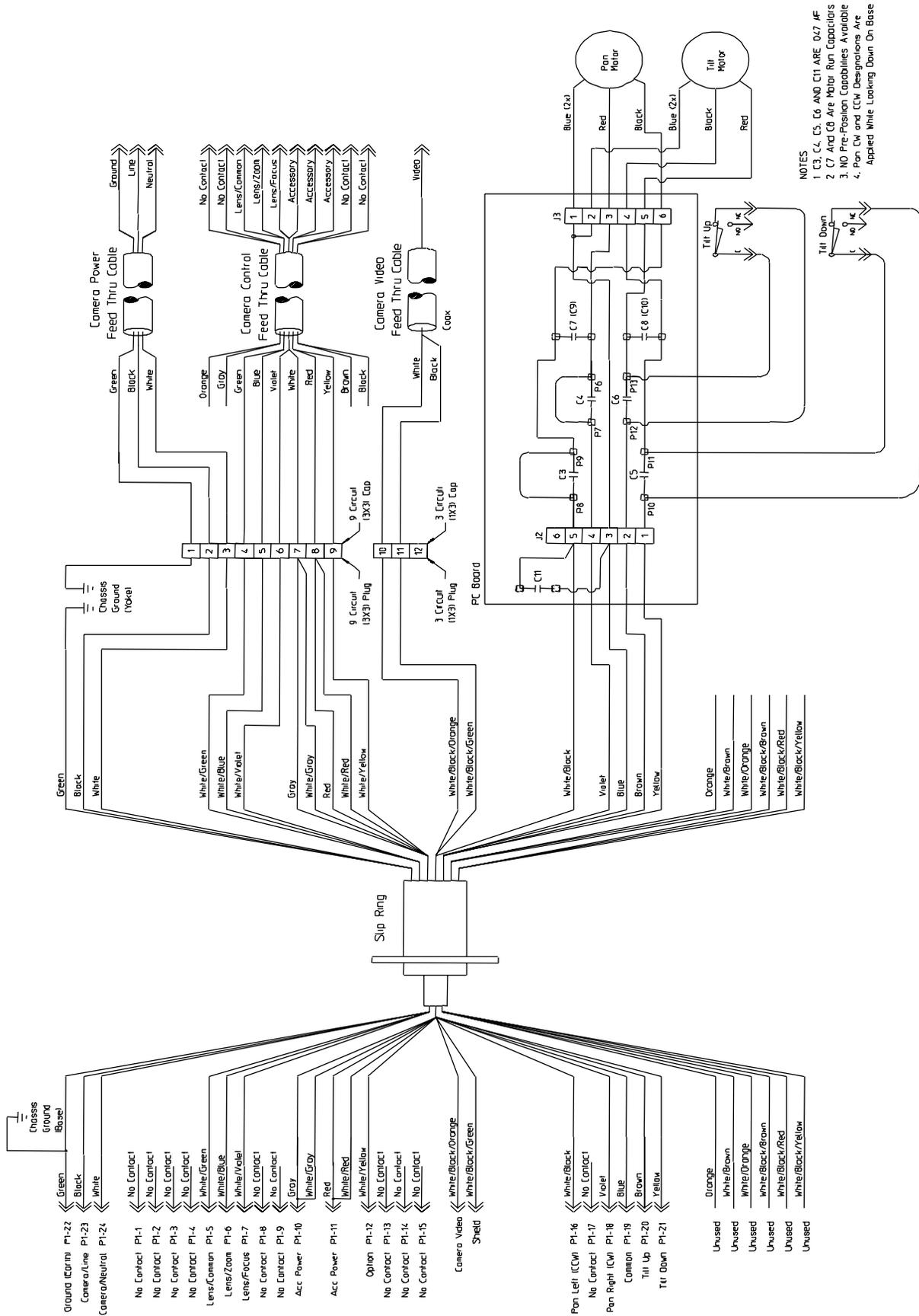
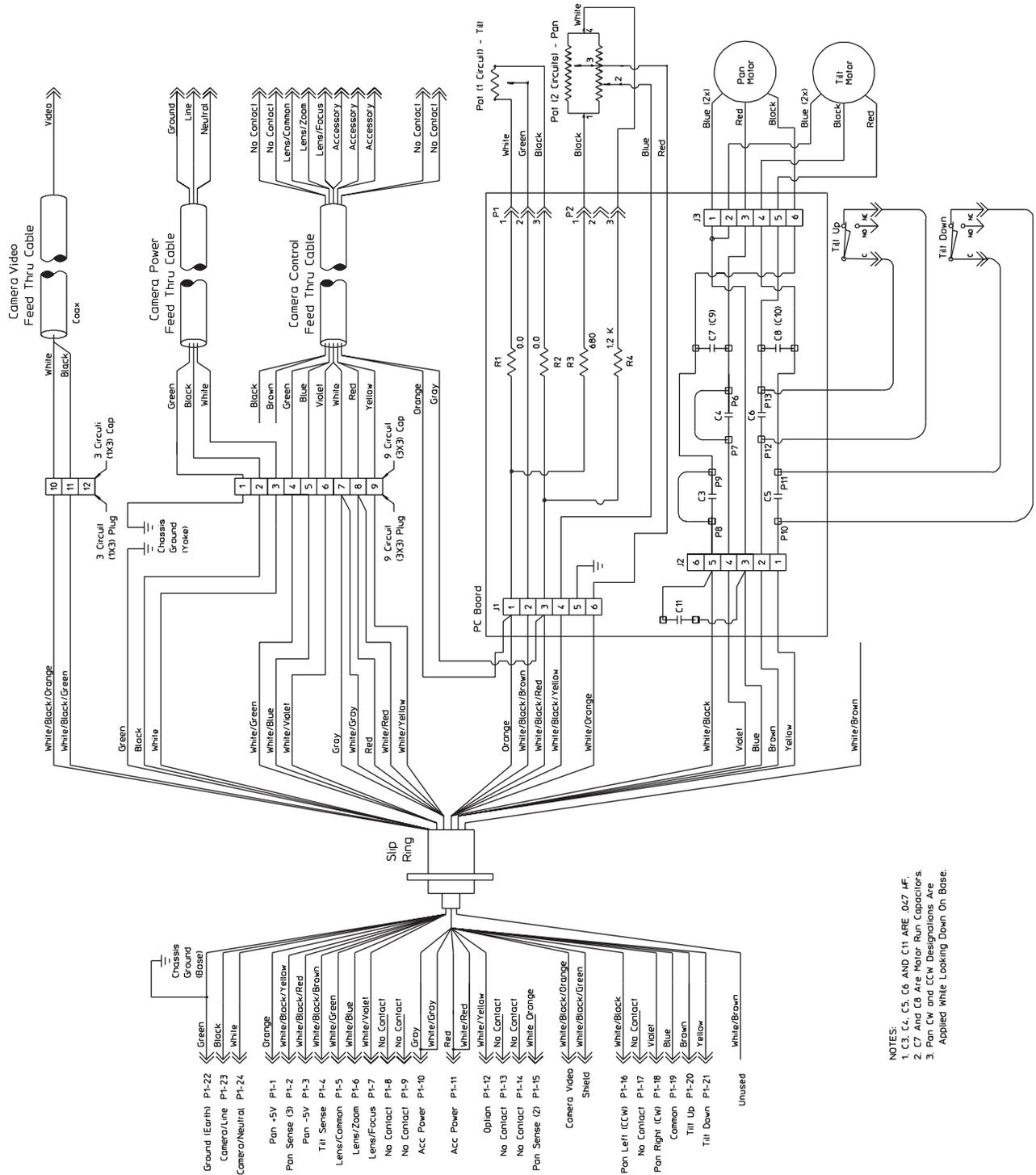


Abbildung 7: Schaltplan - 360° Modelle



- NOTES:
- C3, C4, C5, C6 AND C11 ARE 0.47 MF.
 - C7 AND C8 ARE MOTOR RUN CAPACITORS.
 - Pan CW and CCW Designations Are Applied While Looking Down On Base.

Abbildung 8: Schaltplan - 360° Modelle

6 EMPFOHLENE ANWENDUNGEN

Nur 360° Modelle



Nur 24 V Kameras/Gehäuse mit 360° Schwenkeinheiten verwenden.

24 V Durchführungsmodelle



Zwecks Einhaltung der cUL- und TÜV-Zulassung nur 24 V Kameras/Gehäuse verwenden.



Die maximale Leistung für Heiz-/Lüfterkombinationen beträgt 75 W, um eine Überlastung des Schleifrings zu verhindern. Diese Last muss von Pin 10 (weiße Durchführung) und Pin 11 (rote Durchführung) gespeist werden. Siehe **Abbildung 2**.

9 ABMESSUNGEN

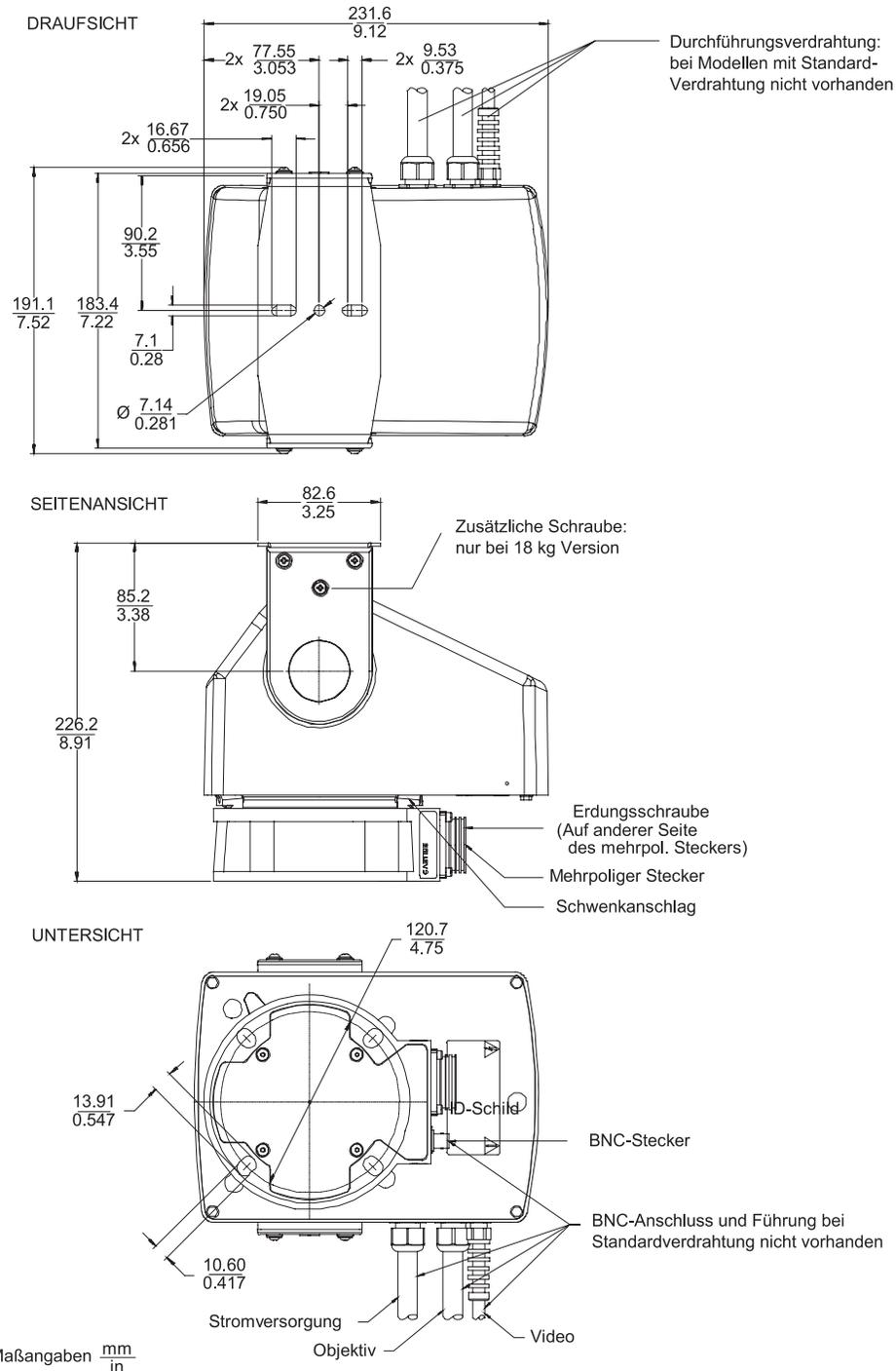


Abbildung 9

W9601402CE

MEDIDAS DE SEGURIDAD IMPORTANTES

1. Lea, siga y guarde las instrucciones: debe leer y seguir todas las instrucciones de seguridad y funcionamiento antes de manipular esta unidad. Guarde las instrucciones para poder consultarlas en un futuro.

2. Preste atención a las advertencias: respete todas las advertencias de la unidad y de las instrucciones de funcionamiento.

3. Conexiones: no realice conexiones no recomendadas por el fabricante del producto, ya que podrían ser peligrosas.

4. Precauciones de instalación: no coloque esta unidad en ningún soporte, trípode o montaje inestable. La unidad podría caer causando heridas graves a alguien y daños considerables a la unidad. Utilice sólo los accesorios recomendados por el fabricante o los que se proporcionan con el producto. Monte la unidad según las instrucciones del fabricante. Tenga cuidado al desplazar el conjunto de unidad y soporte. Si realiza una parada repentina, aplica un exceso de fuerza o lo coloca sobre una superficie inestable, el conjunto de unidad y soporte se puede volcar.

5. Limpieza: desconecte la unidad de la toma de corriente antes de limpiarla. Siga las instrucciones proporcionadas con la unidad. En general, un paño húmedo es suficiente para la limpieza. No utilice detergentes líquidos ni en aerosol.

6. Reparaciones: no intente reparar la unidad por sí mismo. Al abrir o retirar las cubiertas puede quedar expuesto a puntos de tensión peligrosos y otros riesgos. Todas las reparaciones deben remitirse a un técnico cualificado.

7. Daños que requieren reparación: desconecte la unidad de la fuente de alimentación de CA principal y remita las reparaciones a un técnico cualificado si:

- El cable de alimentación o el enchufe están dañados.
- Se ha derramado líquido o un objeto ha caído en el interior de la unidad.
- La unidad ha quedado expuesta al agua y/o condiciones meteorológicas adversas (lluvia, nieve, etc.).
- La unidad no funciona con normalidad al seguir las instrucciones. Ajuste sólo los controles especificados en las instrucciones de funcionamiento. El ajuste incorrecto de otros controles puede provocar daños y requerir horas de trabajo de un técnico cualificado para restaurar el funcionamiento normal de la unidad.
- La unidad se ha caído o se ha dañado el mueble.
- El funcionamiento de la unidad presenta cambios notables, lo que indica la necesidad de llevar a cabo reparaciones.

8. Piezas de repuesto: si es necesario utilizar piezas de repuesto, asegúrese de que el técnico utilice las piezas especificadas por el fabricante u otras que tengan las mismas características que las originales. La sustitución de piezas no autorizada puede provocar un incendio, una descarga eléctrica u otros peligros.

9. Comprobación de seguridad: una vez realizadas las reparaciones u operaciones de mantenimiento, pídale al técnico que realice comprobaciones de seguridad para garantizar que la unidad esté en condiciones óptimas de funcionamiento.

10. Tomas de corriente: utilice la unidad únicamente con el tipo de tomas de corriente indicado en la etiqueta. Si no está seguro del tipo de fuente de alimentación que debe utilizar, póngase en contacto con el distribuidor o con la compañía eléctrica local.

- Para unidades que se vayan a utilizar con batería, consulte las instrucciones de funcionamiento.
- Para unidades que se vayan a utilizar con **fuentes de alimentación externas**, utilice sólo las fuentes de alimentación recomendadas y aprobadas.
- Para unidades que se vayan a utilizar con una **fuente de alimentación limitada**, la fuente de alimentación debe cumplir las directivas de EN60950. La sustitución de piezas puede dañar la unidad o provocar un incendio o una descarga eléctrica.
- Para unidades que se vayan a utilizar a **24 VCA**, la tensión normal de entrada es 24 VCA. La tensión aplicada a la entrada de alimentación de la unidad no debe superar los 30 VCA. El cableado utilizado por el usuario desde la fuente de 24 VCA a la unidad debe cumplir las normativas de electricidad (Clase 2 de niveles de alimentación). No conecte a tierra la fuente de 24 VCA en los terminales o en los terminales de alimentación eléctrica de la unidad.

11. Conexión a tierra coaxial: si hay sistema de cables externo conectado a la unidad, asegúrese de que éste tiene conexión a tierra. Solamente en modelos para EE.UU.: la sección 810 del National Electrical Code, ANSI/NFPA No.70, proporciona instrucciones para realizar una conexión a tierra adecuada de la estructura de montaje y soporte, del coaxial a una unidad de descarga, así como información sobre el tamaño de los conductores de tierra, la ubicación de la unidad de descarga, la conexión a electrodos de tierra y los requisitos de la toma de tierra.

12. Conexión a tierra o polarización: esta unidad puede disponer de un enchufe de línea corriente alternativa polarizado (un enchufe con una patilla más ancha que la otra). Esta característica de seguridad hace que el enchufe sólo encaje dentro de la toma de corriente de una única forma. Si no puede insertar el enchufe completamente en la toma, gire el enchufe. Si aún así el enchufe no encaja, póngase en contacto con un electricista para que cambie la toma de corriente antigua. No contravenga el objetivo de seguridad del enchufe polarizado.

Además, esta unidad puede disponer de un enchufe de tres cables con conexión a tierra (un enchufe con una tercera patilla, para conexión a tierra). Esta característica de seguridad permite que el enchufe sólo encaje en una toma de corriente con conexión a tierra. Si no puede insertar el enchufe en la toma, póngase en contacto con un electricista para que cambie la toma de corriente antigua. No contravenga el objetivo de seguridad del enchufe provisto de conexión a tierra.

13. Tormenta eléctrica: para una mayor protección durante tormentas eléctricas o cuando la unidad no se utiliza o no se supervisa durante un período prolongado, desconecte la unidad de la toma de corriente y desconecte el cable del sistema. De esta forma evitará que se produzcan daños en la unidad debidos a tormentas eléctricas o subidas de tensión.

PRECAUCIONES DE SEGURIDAD

PARA PRODUCTOS INSTALADOS EN EL INTERIOR

1. Agua y humedad: no instale esta unidad cerca del agua, como, por ejemplo, en un sótano húmedo, en un exterior sin protección o en cualquier zona clasificada como húmeda.

2. Objetos y líquidos: no introduzca objetos de ningún tipo en la unidad a través de los orificios ya que pueden entrar en contacto con puntos de tensión peligrosos o desencadenar cortocircuitos en las piezas y provocar incendios o descargas eléctricas. No derrame ningún tipo de líquido sobre la unidad.

3. Cable de alimentación y protección del mismo: para unidades que se van a utilizar a **230 VCA, 50 Hz**, el cable de alimentación de entrada y salida debe cumplir con la última versión de la IEC Publication 227 ó 245.

Los cables de alimentación deberán colocarse de forma que no se pisen ni los pillen otros objetos. Debe prestarse especial atención a los cables y enchufes, a las tomas de corriente y al punto en que salen de la unidad.

4. Sobrecarga: no sobrecargue las tomas de corriente ni los alargadores pues pueden provocar incendios o descargas eléctricas.

PARA PRODUCTOS INSTALADOS EN EL EXTERIOR

1. Líneas eléctricas: los sistemas exteriores no deben ubicarse en las proximidades de líneas eléctricas ni otros circuitos de alimentación o luz eléctricos ni en lugares en los que puedan entrar en contacto con estas líneas o circuitos. Al instalar un sistema en el exterior, tenga especial cuidado en no tocar las líneas o circuitos de corriente eléctrica, ya que el contacto podría resultar fatal. Solamente en modelos para EE.UU.: consulte el National Electrical Code Article 820 correspondiente a la instalación de sistemas CATV.

PARA PRODUCTOS DE MONTAJE EN SOPORTE

1. Ventilación: esta unidad no se debe instalar incorporada en un soporte, a no ser que éste disponga de la ventilación adecuada o que se hayan seguido las instrucciones del fabricante. El equipo no debe exceder la temperatura máxima de funcionamiento.

2. Carga mecánica: el montaje del equipo en un soporte se debe realizar de tal manera que no se cree una situación de peligro debido a una carga mecánica inestable.



PRECAUCIÓN

RIESGO DE DESCARGA ELÉCTRICA
¡NO ABRIR!



Precaución: para disminuir el riesgo de descarga eléctrica, no retire la cubierta (ni la parte posterior). No existen piezas de recambio en el interior del equipo. El personal de servicio cualificado se encarga de realizar las reparaciones.



Este símbolo indica que existen puntos de tensión peligrosos sin aislamiento dentro de la cubierta de la unidad. Estos puntos pueden constituir un riesgo de descarga eléctrica.



El usuario debe consultar las instrucciones de funcionamiento y mantenimiento (reparación) en la documentación que se suministra con el aparato.



Atención: la instalación la debe realizar únicamente personal cualificado de conformidad con el National Electric Code o las normas aplicables en su país.



Desconexión de la alimentación. Las unidades con o sin interruptores de encendido/apagado reciben alimentación eléctrica siempre que el cable de alimentación esté conectado a la fuente de alimentación. Sin embargo, la unidad sólo funciona cuando el interruptor está en la posición de encendido. El cable de alimentación es la principal fuente de desconexión de todas las unidades.

ÍNDICE

1 DESEMBALAJE	39
2 REPARACIÓN	39
3 INSTALACIÓN	39
3.1 Especificaciones del modelo	39
3.2 Equipo de montaje recomendado	40
3.3 Montaje en pared.....	40
3.4 Montaje de cámara/lente/caja.....	40
3.5 Conexiones eléctricas.....	40
3.6 Conexión a tierra.....	40
3.7 Montaje del conector.....	40
3.8 Topes de panorámica (modelos de 345°).....	42
4 FUNCIONAMIENTO	42
4.1 Funcionamiento de la panorámica manual (modelos de 345°).....	42
4.2 Funcionamiento de la panorámica automática (modelos de 345°).....	42
4.3 Ajuste del tope de panorámica (modelos de 345°).....	43
4.4 Funcionamiento de la panorámica (modelos de 360°).....	43
4.5 Ajuste del tope de inclinación (todos los modelos).....	43
4.6 Modelos de posición prefijada.....	43
5 DIAGRAMAS DE CABLEADO	44
6 APLICACIONES RECOMENDADAS	47
7 ESQUEMA DIMENSIONAL	47

I DESEMBALAJE

Desembale y manipule el equipo electromecánico con cuidado.

Compruebe que incluye lo siguiente:

- Número de modelo de la unidad
- Llave Allen de 3/32 pulgadas
- Kit de conector 315 1232 001

Si parece que algún artículo ha sido dañado durante el envío, vuelva a colocarlo correctamente en su caja y notifique al transportista. Si falta algún artículo, notifíquelo a Bosch Security Systems.

La caja de cartón de envío es el contenedor más seguro en que la unidad puede transportarse. Guárdela, ya que es posible que la necesite en el futuro.

2 REPARACIÓN

Si la unidad tuviera que ser reparada alguna vez, el cliente deberá ponerse en contacto con el servicio de asistencia técnica Bosch Security Systems, Inc. más cercano para solicitar la autorización para la devolución y las instrucciones para el transporte.

Centros de asistencia técnica

Estados Unidos: 800-366-2283 ó 408-956-3895

Fax: 800-366-1329 ó 408-956-3896

Correo electrónico: NationalServiceCenter@ca.slr.com

Canadá: 514-738-2434

Europa, Oriente Medio y la región Asia Pacífico:
800-366-2283

Para obtener información adicional, visite la página Web www.boschsecuritysystems.com.

3 INSTALACIÓN



Esta instalación debe ser realizada por personal de servicio cualificado y debe cumplir todas las normas locales.



Antes de conectar o desconectar el conector eléctrico de la unidad de panorámica/inclinación, desconecte siempre el suministro de corriente a la unidad por el controlador. La unidad de panorámica/inclinación debe montarse en un lugar apartado del límite de acceso autorizado (3 metros de altura como mínimo).



Estas unidades están diseñadas para instalaciones verticales o invertidas. Para mantener la unidad protegida contra la intemperie cuando está en posición invertida, debe instalarse en un recinto a prueba de intemperie (por ejemplo un alojamiento a prueba de intemperie) o en un área externa protegida.

La unidad de panorámica/inclinación y el equipo asociado deben comprobarse antes de su instalación sobre el terreno para verificar que el cableado y el funcionamiento de los componentes son correctos.

LTC 9418 y LTC 9420

La carga máxima es de 10 kg o un par de torsión de 149 kg/cm a una distancia de 63,5 mm entre el centro de masa de la unidad cámara/lente/alojamiento y el centro de la mesa de inclinación.

LTC 9440 y LTC 9441

La carga máxima es de 18 kg o un par de torsión de 297 kg/cm con el centro de masa situado a 79,2 mm del centro de la mesa de inclinación.

Para obtener el óptimo movimiento de panorámica/inclinación, el peso combinado de la caja/cámara/lente debe estar centrado uniformemente, desde la parte delantera a la posterior, sobre la superficie de la mesa de inclinación.

Consulte **APLICACIONES RECOMENDADAS**.

3.1 Especificaciones del modelo

Serie LTC 9418	Índice de carga:	
	Carga de 10 Kg, par de torsión de 149 kg/cm Cableado: estándar	Potencia necesaria: 24 W
Serie LTC 9420	Índice de carga:	
	Carga de 10 Kg, par de torsión de 149 kg/cm Cableado: alimentación directa	Potencia necesaria: 24 W
Serie LTC 9440	Índice de carga:	
	Carga de 18 kg, par de torsión de 297 kg/cm Cableado: estándar	Potencia necesaria: 20 W
Serie LTC 9441	Índice de carga:	
	Carga de 18 kg, par de torsión de 297 kg/cm Cableado: alimentación directa	Potencia necesaria: 20 W

	Régimen de tensión del motor	Variación de la tensión
/Modelos de 27 Kg*:	120 VCA, 60 Hz	Desde 108 hasta 132
/Modelos de 9 Kg*:	24 VCA, 60 Hz	Desde 21,6 hasta 26,4
/Modelos de 18 Kg*:	24 VCA, 60 Hz	Desde 23 hasta 26,4
/Modelos de 4,5 Kg*:	24 VCA, 50 Hz	Desde 21,6 hasta 26,4
/Modelos de 22,5 Kg*:	220 VCA, 50 Hz	Desde 207 hasta 253

Rango de giro horizontal: de 0° a 345° en modelos estándar, de 0° a 360° en modelos de panorámica continua. La posición prefijada se establece en -x1, por ejemplo, LTC 9441/61



Precaución: no suministre una corriente superior a 30 VCA en los modelos de 24 VCA. El funcionamiento con corriente superior a 30 VCA viola las normas de funcionamiento de equipos de baja tensión (Especificaciones Clase 2). EL funcionamiento normal es de 24 VCA. Modelos de 24 VCA aprobados por cUL.



Precaución: conéctelo solamente a fuentes de alimentación de Clase 2. La corriente total máxima que pasa a través del conector eléctrico es de 4 A. La corriente máxima de la unidad de panorámica/inclinación es 1 de A. La corriente máxima permitida de la cámara/alojamiento es de 3A. Utilice solamente cámaras y alojamientos de 24 VCA en modelos de alimentación directa.

3.2 Equipo de montaje recomendado

LTC 9216/00	Soporte de montaje en pared para peso mediano diseñado para soportar hasta 45,3 kg.
LTC 9222/00	Soporte de montaje en pared para peso pesado diseñado para soportar hasta 90,6 kg.
LTC 9214/00	Soporte de montaje en columna para peso pesado de 336 mm para techo o pedestal.
LTC 9224/00	Soporte de montaje en columna para peso pesado de 610 mm para techo o pedestal.

3.3 Montaje en pared

Siga las instrucciones provistas con los accesorios de montaje. El soporte y la superficie de montaje deben soportar el peso de la unidad de panorámica/inclinación, cámara/lente y caja (si se utiliza). El conjunto de cámara/lente/caja debe estar montado y equilibrado correctamente en el soporte de la unidad de panorámica/inclinación.



Precaución: las unidades de panorámica/inclinación sólo se pueden montar en posición vertical o invertida, nunca en horizontal.

3.4 Montaje de cámara/lente/caja

Monte la cámara/lente/caja en el soporte de la unidad panorámica e inclinación de la forma siguiente:

1. Equilibre la cámara/lente/caja y ajuste la unidad de forma que se alinee con los agujeros de montaje. Sujétela con un mínimo de dos (2) afianzadores de 1/4-20 x 1/2 pulgadas de longitud y arandelas de seguridad.
2. Haga todas las conexiones eléctricas. Deje suficiente cable entre la cámara/caja y la unidad de panorámica/inclinación para permitir el movimiento de inclinación y panorámica.

3.5 Conexiones eléctricas

1. El cable debe estar conectado de acuerdo con el **Montaje del conector** (Sección 3.7) y las **Longitudes máximas de cable recomendadas** (Tabla 1).
2. Utilice cables apantallados diferentes para la corriente de la cámara, la corriente de la caja y el control de la unidad de panorámica/inclinación. Si es necesario, se puede

combinar el cableado de control de la lente y el cable coaxial de vídeo dentro de un cable común. No se recomienda utilizar un cable multiconductor común para combinar todas las funciones.

3. Utilice conductores codificados con colores para facilitar la realización del cableado y la identificación del mismo posteriormente.
4. Guarde el diagrama de cableado, puede que necesite consultarlo en el futuro.

Modelo Tensión	Tamaño de cable Galga AWG (EE.UU.)		Distancia ¹	
	mm ²		Pies	Metros
24 VCA ²	0,5	20	140	43
	1	18	230	70
	1,5	16	360	110
	2,5	14	590	180
	4	12	940	287
110 VCA	0,5	20	2.200	671
	1	18	3.500	1.067
	1,5	16	5.500	1.677
	2,5	14	9.000	2.744
220 VCA	0,5	20	13.400	4.085
	1	18	21.200	6.463
	1,5	16	33.300	10.152
	2,5	14	54.400	16.585

Tabla 1 Longitudes máximas de cable

Notas de la Tabla 1

7. Los valores están calculados a 20 °C (68 °F) utilizando hilo trenzado de cobre estañado, una tierra común (neutra) y con ambos motores de PANORÁMICA e INCLINACIÓN funcionando simultáneamente.
8. Para los modelos de 24 VCA que funcionen a -30 °C o cerca, los valores se basan en mantener la tensión suministrada dentro de la variación de tensión correspondiente especificada en la Sección 3.1.

Se recomienda utilizar la tenaza engarzadora manual AMP #58495-1 para engarzar los zócalos. Consulte la **Figura 2** para ver las posiciones numeradas de los conectores. El conector aceptará un hilo de hasta #16 AWG (galga EE.UU.). Si se requiere hilo de una galga más gruesa, se recomienda realizar una conexión de trenza según los códigos eléctricos locales.



Precaución: para retirar el contacto del conector se necesita la herramienta de extracción AMP #305183.

3.6 Conexión a tierra

Hay un tornillo de conexión a tierra situado en la base, a la derecha del conector. Consulte la **Figura 8**. Conecte un hilo de conexión a tierra de 1 mm² (No.18 AWG) a la tierra más cercana.

3.7 Montaje del conector

Con la unidad se incluye un conector de acoplamiento, zócalos y una pieza de alivio de presión. Consulte la **Figura 1**.

Para realizar la instalación, seleccione la abrazadera de alivio de presión de tamaño apropiado. Seleccione una de las dos abrazaderas de alivio de presión incluidas con el manguito y el extensor. El área de sujeción se puede ajustar invirtiendo o cambiando las abrazaderas de alivio de presión. Deseche las cuatro abrazaderas de alivio de presión situadas en la tira de transporte embalada con la pantalla.

Inserte la abrazadera en la pieza de alivio de presión que llegue al tope de reposo. La abrazadera debe quedar encima del mazo de cables, **no** sobre el hombro de la pantalla. Si el

diámetro del hilo es demasiado pequeño, envuelva **temporalmente** el hilo con cinta eléctrica hasta que la abrazadera se acople correctamente. Sujete la abrazadera con los dos (2) tornillos provistos.



Precaución: asegúrese de que el mazo de cables esté bien sujeto. **NO** pellizque los hilos.

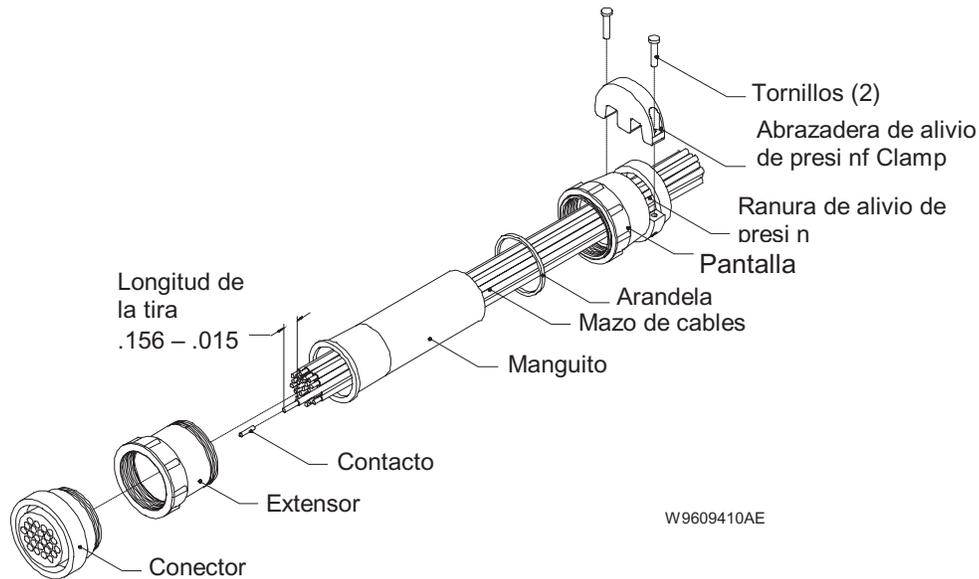


Figura 1: unidad de pantalla/alivio de presión

ESPECIFICACIONES DE HILOS ELÉCTRICOS Y CONEXIONES DE PATILLAS

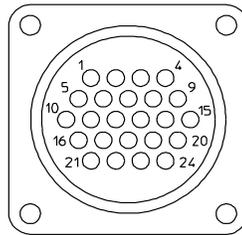


Figura 2: salidas de patillas

Modelos de 345° sin posición prefijada^{5,6}

Cableado de alimentación directa

Número de patilla	Color
1: NC ¹	
2: NC ¹	
3: NC ¹	
4: NC ¹	
5: Lente común	Verde ²
6: Zoom	Azul ²
7: Foco	Violeta ²
8: No se utiliza	Marrón ²
9: No se utiliza	Negro ²
10. Accesorio	Blanco ^{2,3}
11. Accesorio	Rojo ^{2,3}
12. Accesorio	Amarillo ^{2,3}
13: NC ¹	
14: NC ¹	
15: NC ¹	
16: Panorámica izquierda	Blanco
17: NC ¹	
18: Panorámica derecha	Violeta
19: Pan./Incl. común	Azul
20: Inclinación hacia arriba	Marrón
21: Inclinación hacia abajo	Blanco/Amarillo
22: Tierra	Verde/Amarillo ²
23: Cámara AC-Línea	Negro ^{2,4}
24: Cámara AC-Neutro	Blanco ^{2,4}

Modelos de 345° sin posición prefijada^{5,6}

modelos de cableado estándar.

Número de patilla	Color
1: NC ¹	
2: NC ¹	
3: NC ¹	
4: NC ¹	
5: NC ¹	
6: NC ¹	
7: NC ¹	
8: NC ¹	
9: NC ¹	
10. NC ¹	
11. NC ¹	
12. NC ¹	
13: NC ¹	
14: NC ¹	
15: NC ¹	
16: Panorámica izquierda	Blanco
17: NC ¹	
18: Panorámica derecha	Violeta
19: Pan./Incl. común	Azul
20: Inclinación hacia arriba	Marrón
21: Inclinación hacia abajo	Blanco/Amarillo
22: Tierra	Verde/Amarillo ²
23: NC ¹	
24: NC ¹	

Modelos de 360° de posición prefijada y modelos sin posición prefijada^{7,8}

Número de patilla	Color
1: Panorámica +5 V	Naranja ⁸
2: Sentido de la panorámica (3)	Blanco/Negro/Amarillo ⁸
3: Panorámica -5 V	Blanco/Negro/Rojo ⁸
4: Sentido de la inclinación	Blanco/Negro/Marrón ⁸
5: Lente común	Verde ²
6: Zoom	Azul ²
7: Foco	Violeta ²
8: NC ¹	
9: NC ¹	
10. Accesorio	Blanco ^{2,3}
11. Accesorio	Rojo ^{2,3}
12. Accesorio	Amarillo ^{2,3}
13: NC ¹	
14: NC ¹	
15: Sentido de la panorámica (2)	Blanco/Naranja ⁸
16: Panorámica izquierda	Blanco
17: NC ¹	
18: Panorámica derecha	Violeta
19: Pan./Incl. común	Azul
20: Inclinación hacia arriba	Marrón
21: Inclinación hacia abajo	Blanco/Amarillo
22: Tierra	Verde/Amarillo ²
23: Cámara AC-Línea	Negro ^{2,4}
24: Cámara AC-Neutro	Blanco ^{2,4}

Modelos de 345° de posición prefijada^{5,6}

Cableado de alimentación directa

Número de patilla	Color
1: Suministro de posición de panorámica (+)	Naranja ²
2: Posición de panorámica	Amarillo ²
3: Retorno de posición de panorámica (-)	Gris ²
4: Posición de inclinación	Blanco/Negro ²
5: Lente común	Verde ²
6: Zoom	Azul ²
7: Foco	Violeta ²
8: Posición de zoom	Marrón ²
9: Posición de foco	Negro ²
10. Accesorio	Blanco ^{2,3}
11. Accesorio	Rojo ^{2,3}
12. Accesorio	Amarillo ^{2,3}
13: NC ¹	
14: NC ¹	
15: NC ¹	
16: Panorámica izquierda	Blanco
17: NC ¹	
18: Panorámica derecha	Violeta
19: Pan./Incl. común	Azul
20: Inclinación hacia arriba	Marrón
21: Inclinación hacia abajo	Blanco/Amarillo
22: Tierra	Verde/Amarillo ²
23: Cámara AC-Línea	Negro ^{2,4}
24: Cámara AC-Neutro	Blanco ^{2,4}

Modelos de 345° de posición prefijada^{5,6}

modelos de cableado estándar.

Número de patilla	Color
1: Suministro de posición de panorámica (+)	Naranja ²
2: Posición de panorámica	Amarillo ²
3: Retorno de posición de panorámica	Gris ²
4: Posición de inclinación	Blanco/Negro ²
5: NC ¹	
6: NC ¹	
7: NC ¹	
8: NC ¹	
9: NC ¹	
10. NC ¹	
11. NC ¹	
12. NC ¹	
13: NC ¹	
14: NC ¹	
15: NC ¹	
16: Panorámica izquierda	Blanco
17: NC ¹	
18: Panorámica derecha	Violeta
19: Pan./Incl. común	Azul
20: Inclinación hacia arriba	Marrón
21: Inclinación hacia abajo	Blanco/Amarillo
22: Tierra	Verde/Amarillo ²
23: NC ¹	
24: NC ¹	

Notas

1. NC -- No hay conexión, no utilizar.
2. (Códigos de color) señalan cableado de alimentación directa a la cámara/alojamiento.
3. Aplicar solamente a modelos de 24 voltios. Las patillas 10 a 12 no se utilizan en modelos de 110 ó 220 voltios.
4. (Códigos de color) mostrados para modelos de 24 y 110 voltios. Para modelos de 220 voltios, los códigos de colores son (23) marrón y (24) azul.
5. Los conductores de las patillas 16 a 24 (cuando sea aplicable) en modelos de 220 voltios deben estar aislados de otro cableado con requisitos de aislamiento reforzado de la norma DIN VDE 0860/05.89, IEC 65. Los conductores de las patillas 16 a 24 (cuando sea aplicable) deben estar en un cable HAR con un área de corte transversal mínima de 0,75 mm² (H05 VV-F).
6. Consulte la **Figura 6**, situada debajo de Diagramas de cableado para ver el esquema de cableado.
13. Consulte la **Figura 7**, situada debajo de Diagramas de cableado para ver el esquema de cableado.
14. Sólo modelos de posición prefijada. Consulte la **Figura 8** para ver el esquema de cableado.

3.8 Topes de panorámica (modelos de 345°)

Localice los tres (3) topes de límite situados en la base de la unidad. El tope de límite rojo es el tope fijo. NO es ajustable y **no** debe retirarse. Los dos (2) topes restantes se denominan topes de panorámica. Están situados a cada lado de la palanca del interruptor de panorámica.

Los dos (2) topes de panorámica son ajustables y están sujetos por un tornillo de fijación. Se puede acceder a los tornillos a través del orificio del extremo de cada tope. Utilice una llave Allen de 3/32 pulgadas (suministrada) para aflojar y apretar el tornillo de fijación. Consulte la **Figura 3**.

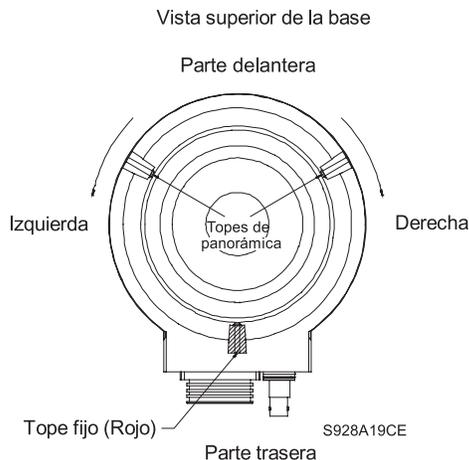


Figura 3: ubicaciones de los topes de panorámica (modelos de 345°)

4 FUNCIONAMIENTO

4.1 Funcionamiento de la panorámica manual (modelos de 345°)

Los topes de panorámica establecen los límites de la panorámica manual. Los dos (2) topes ajustables de panorámica pueden cambiarse de posición o retirarse según el funcionamiento deseado. La configuración de margen máximo de panorámica se muestra en la **Figura 4**.



Precaución: no mueva ni retire nunca el tope fijo. Siempre debe estar en su sitio para que la función de panorámica funcione correctamente.

4.2 Funcionamiento de la panorámica automática (modelos de 345°)

La función de panorámica automática requiere realizar conexiones a la patilla 16 (panorámica izquierda), la patilla 18 (panorámica derecha), y la patilla 19 (común). Consulte la **Figura 6**. La función de panorámica automática se realiza mediante el controlador, que detecta los cambios del flujo de corriente que pasa a través del motor de panorámica. Cuando se llega a un tope de panorámica, el flujo de corriente se interrumpe y los circuitos internos del controlador invierten la dirección de la panorámica automática.

Nota: el controlador de panorámica/inclinación debe estar equipado con circuitos de detección de corriente especiales para controlar la función de panorámica automática en este modo. La panorámica se detiene o el tope fijo establece los límites de la panorámica automática.

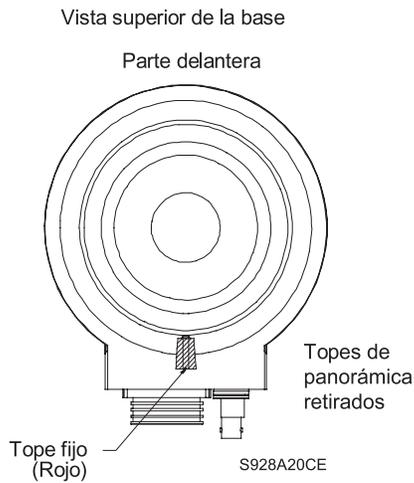


Figura 4: panorámica manual máxima y panorámica automática máxima (modelos de 345°)

4.3 Ajuste del tope de panorámica (modelos de 345°)

1. Afloje los topes de panorámica y ajuste el margen deseado de la panorámica manual y la panorámica automática. Un área rebajada en el cabezal de panorámica deja suficiente espacio libre para retirar un tope de la base.
2. Cuando todos los topes estén en su sitio, compruebe si están bien sujetos.
3. Haga funcionar la unidad desde el controlador para confirmar que los límites están correctamente establecidos. Reajústelos si es necesario.

4.4 Funcionamiento de la panorámica (modelos de 360°)

Estos modelos permiten el funcionamiento de giro de 360 grados (panorámica). No incorporan topes de panorámica. Estas unidades pueden girarse manualmente en movimiento de panorámica hacia la izquierda o hacia la derecha, o pueden realizar una panorámica continua hacia la izquierda o hacia la derecha mediante activación automática. La activación automática requiere realizar las conexiones a la patilla 16 (panorámica izquierda), la patilla 18 (panorámica derecha), y la patilla 19 (común). Consulte la **Figura 7**.

4.5 Ajuste del tope de inclinación (todos los modelos)

Cuando la unidad se haya instalada y se hayan realizado todas las conexiones, aplique la corriente correcta a la unidad de control. Consulte la **Figura 5** y ajuste los topes de inclinación de la forma siguiente:

1. Con la parte delantera de la unidad de panorámica/inclinación orientada hacia usted, retire el tapacubos izquierdo. Ahora los tornillos de ajuste del tope quedarán al descubierto.
2. Utilizando la unidad de control, incline el soporte hacia arriba hasta alcanzar la posición deseada y detenga la unidad. Utilice la llave Allen de 3/32 pulgadas para aflojar el tope de inclinación hacia arriba. Deslice este tope hasta que oiga un pequeño chasquido (indica que se ha accionado el interruptor) y vuelva a apretar el tornillo del tope.

3. Utilizando la unidad de control, incline el soporte hasta alcanzar la posición deseada y detenga la unidad. Utilice la llave Allen de 3/32 pulgadas para aflojar el tope de inclinación hacia abajo. Deslice este tope hasta que oiga un pequeño chasquido (indica que se ha accionado el interruptor) y vuelva a apretar el tornillo del tope.
4. Haga funcionar la unidad de control para verificar si el funcionamiento y el margen de parada del movimiento de inclinación son correctos. Si es necesario, repita la secuencia anterior. Asegúrese de que ambos tornillos de tope de inclinación estén atornillados sin holgura. Vuelva a colocar el tapacubos.



Precaución: no haga funcionar la unidad de panorámica/inclinación sin los topes. Los topes de límite no deben ajustarse mientras la unidad está funcionando.

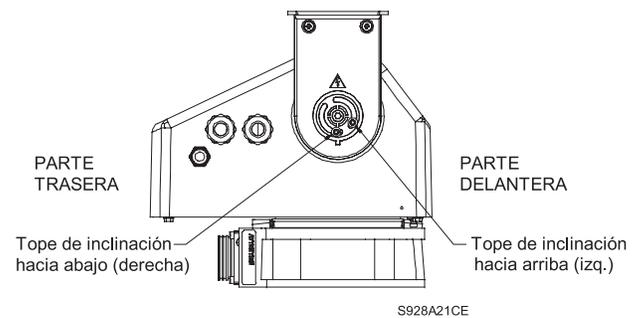


Figura 5: topes de inclinación (vista lateral - sin enchufe)

4.6 Modelos de posición prefijada

Los modelos de 345° con capacidad de posición prefijada requieren conexiones a las patillas 1 a 4, 8 y 9, y que se utilice un controlador o receptor/módulo gestor con la función de posición prefijada. El funcionamiento de la panorámica e inclinación es igual al de los modelos descritos anteriormente.

5 DIAGRAMAS DE CABLEADO

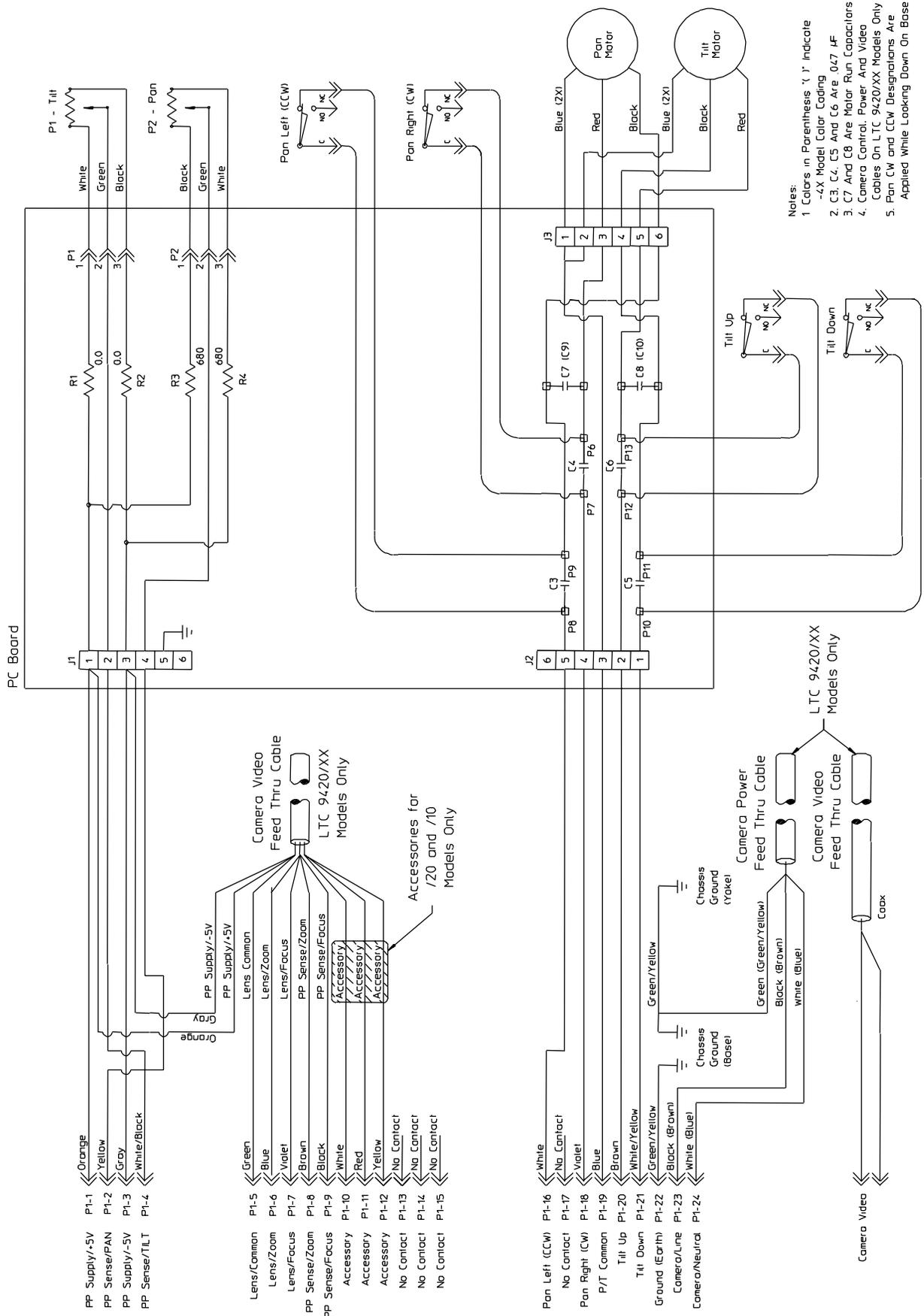


Figura 6: diagrama de cableado - modelos de - 0° a 345°

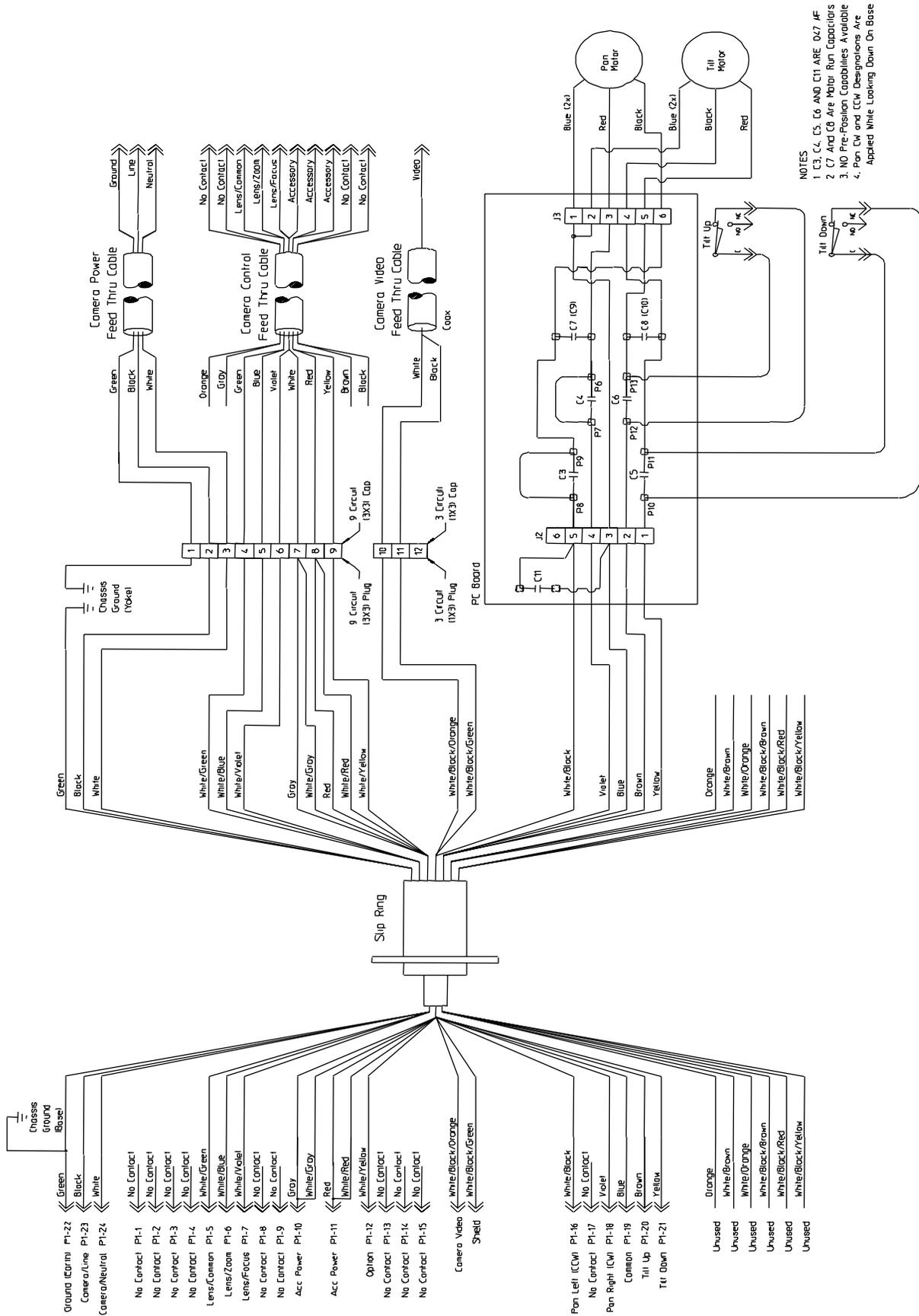
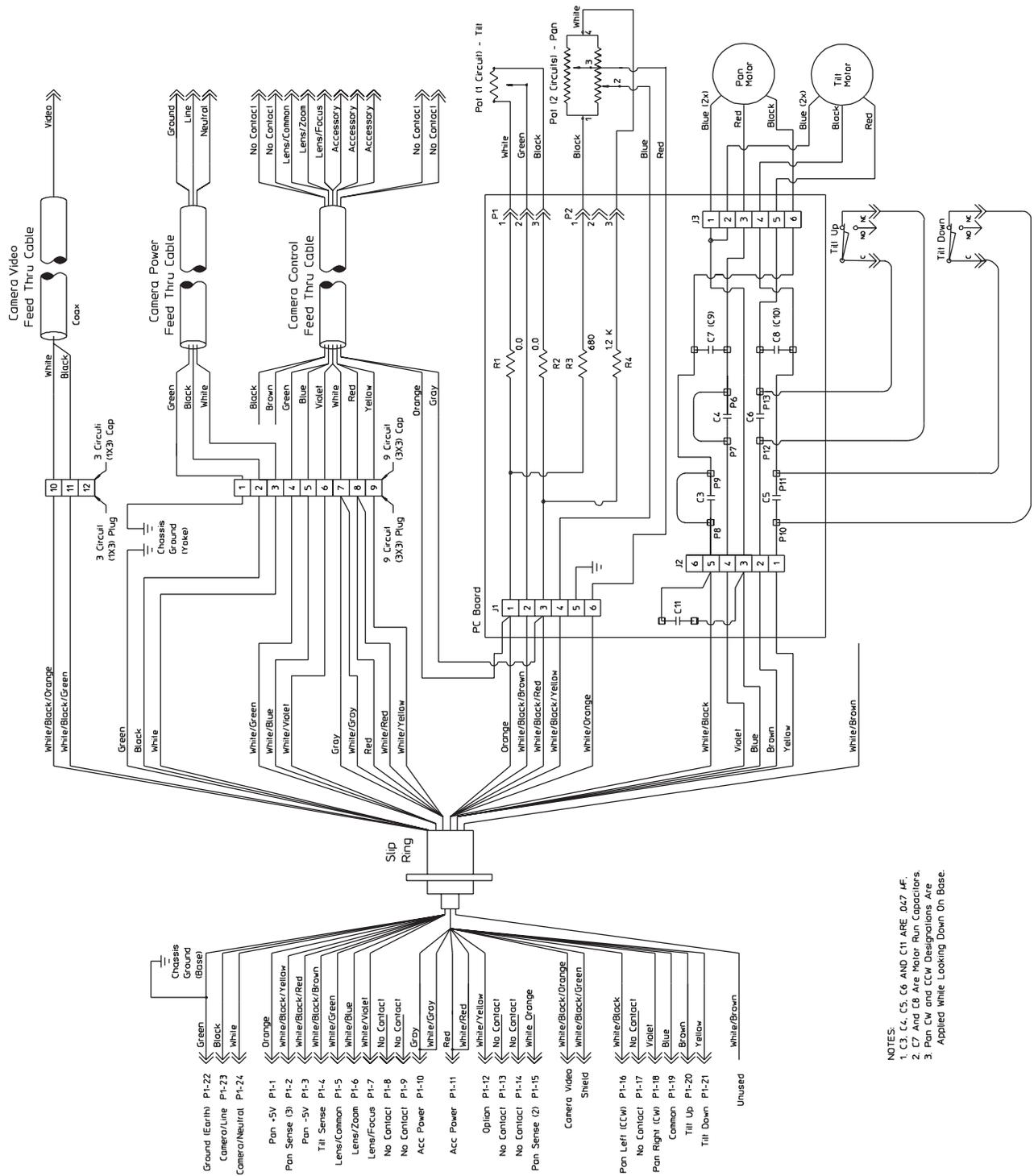


Figura 7: diagrama de cableado - modelos de 360°



NOTES:
 1. C3, C4, C5, C6 AND C11 ARE 0.47 uF.
 2. C7 AND C8 ARE Motor Run Capacitors.
 3. Pan CW and CCW Designations Are Applied While Looking Down On Base.

Figura 8: diagrama de cableado - modelos de 360°

6 APLICACIONES RECOMENDADAS

Modelos de 360° solamente



Utilice solamente cámaras/alojamientos de 24 voltios con panorámicas/inclinaciones de 360°.

Modelos de 24 voltios con alimentación directa



Para cumplir con cUL y TUV, utilice solamente cámaras/alojamientos de 24 voltios.



La potencia máxima de las combinaciones de calentador/ventilador es de 75 vatios para evitar sobrecargar el anillo de deslizamiento. Esta carga debe ser alimentada por la patilla 10, (blanca, alimentación directa) y la patilla 11 (roja, alimentación directa). Consulte la **Figura 2**.

10 ESQUEMA DIMENSIONAL

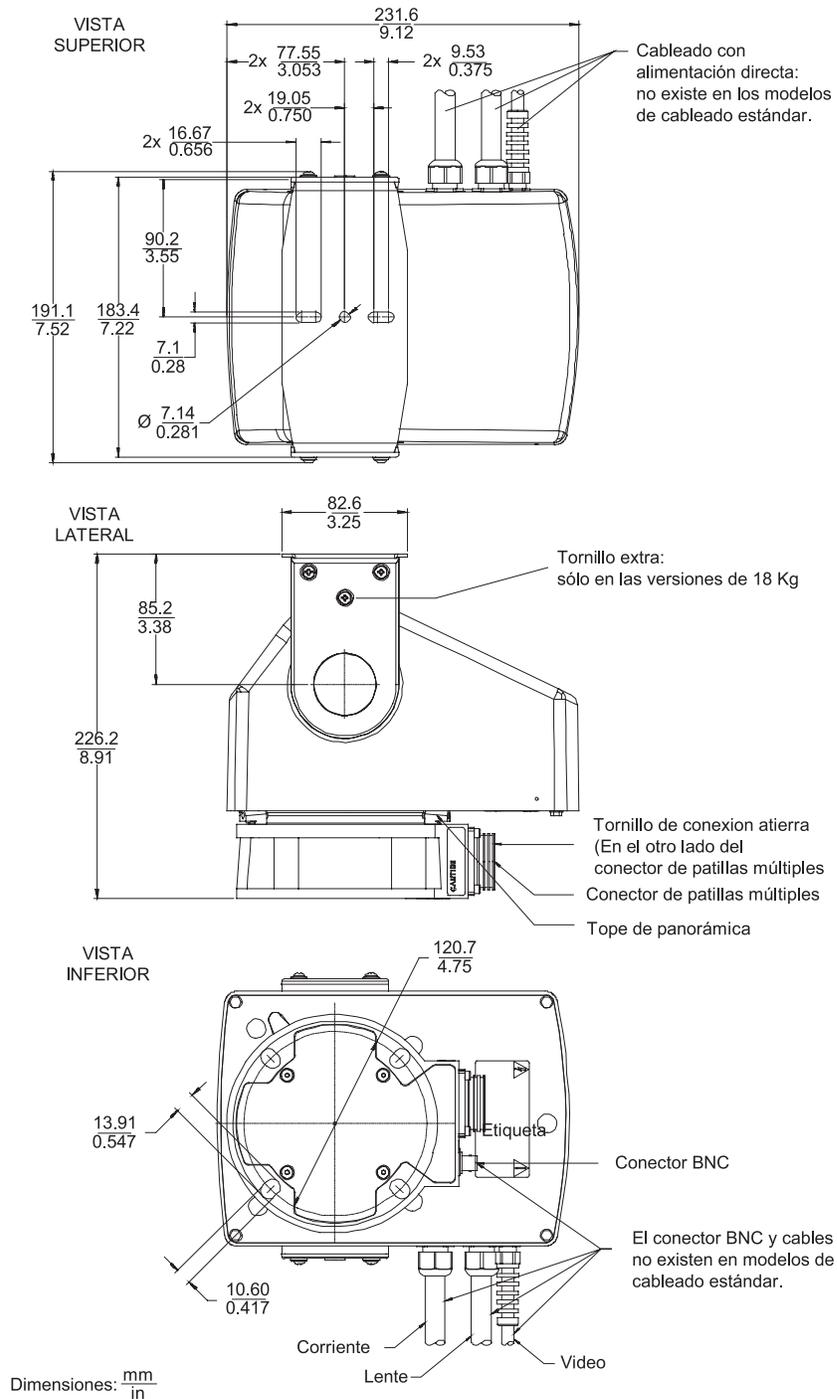


Figura 9

W9601402CE

BELANGRIJKE VOORZORGSMAATREGELEN:

1. Lees, volg en bewaar de voorschriften - Lees en volg alle veiligheids- en bedieningsvoorschriften voordat u het apparaat in gebruik neemt. Bewaar de voorschriften voor latere raadpleging.

2. Neem waarschuwingen in acht – Neem alle waarschuwingen op het apparaat en in de bedieningsvoorschriften in acht.

3. Opzetstukken - U mag geen opzetstukken gebruiken die niet door de productfabrikant worden aanbevolen, omdat deze gevaar kunnen opleveren.

4. Installatievoorschriften - Plaats het apparaat niet op een onstabiel oppervlak, statief, beugel of tafel. Het apparaat kan vallen en schade oplopen of ernstig lichamelijk letsel veroorzaken. Gebruik alleen accessoires die door de productfabrikant worden aanbevolen of bij het product worden geleverd. Monteer het apparaat volgens de voorschriften van de fabrikant. Als een apparaat op een wagentje staat, moet deze combinatie zeer voorzichtig worden verplaatst. Door abrupt te stoppen, te hard te duwen of het over een ongelijke ondergrond te verschuiven, kan het wagentje kantelen.

5. Reinigen - Haal het netsnoer van het apparaat uit het stopcontact voordat u het apparaat reinigt. Volg alle voorschriften die bij het apparaat worden geleverd. Reinig het apparaat met een vochtige doek. Gebruik geen vloeibare schoonmaakproducten of spuitbussen.

6. Onderhoud - Voer zelf geen onderhoud aan dit apparaat uit. Als u de behuizing van het apparaat opent, stelt u zich mogelijk bloot aan hoge spanning of andere gevaren. Laat service en onderhoud alleen door bevoegd personeel uitvoeren.

7. Reparatie - Haal het netsnoer uit het stopcontact en neem contact op met een gekwalificeerde onderhoudstechnicus wanneer zich een van de volgende situaties voordoet:

- Het netsnoer of de stekker is beschadigd.
- Er is vloeistof in het apparaat gelekt of er is iets in het apparaat gevallen.
- Het apparaat is blootgesteld aan water en/of vochtig weer (regen, sneeuw, enz.).
- Het apparaat functioneert niet normaal, hoewel u de bedieningsvoorschriften nauwgezet volgt. Maak alleen aanpassingen aan het apparaat die in de bedieningsvoorschriften aan bod komen. Verkeerde aanpassingen kunnen het apparaat beschadigen en aanleiding geven tot aanzienlijke reparatiewerken door een gekwalificeerd technicus.
- Het apparaat is gevallen of de behuizing is beschadigd.
- De prestaties van het apparaat nemen merkbaar af. Dit wijst erop dat het apparaat aan een onderhoudsbeurt toe is.

8. Onderdelen vervangen - Als vervangende onderdelen vereist zijn, dient de onderhoudstechnicus gebruik te maken van door de fabrikant aanbevolen onderdelen, of onderdelen die dezelfde eigenschappen hebben als het oorspronkelijke onderdeel. Niet erkende onderdelen kunnen aanleiding geven tot brand, elektrische schokken of andere gevaren.

9. Veiligheidscontrole - Vraag de onderhoudstechnicus na een onderhoudsbeurt of een reparatie veiligheidscontroles uit te voeren om na te gaan of het apparaat correct functioneert.

10. Voeding - Sluit het apparaat alleen aan op een lichtnet met het voltage vermeld op het etiket op het apparaat. Neem als u niet zeker bent van het te gebruiken type stroomvoorziening contact op met uw dealer of plaatselijke elektriciteitsbedrijf.

- Raadpleeg de bedieningsvoorschriften als u het apparaat wilt gebruiken met batterijen.
- Gebruik alleen de aanbevolen goedgekeurde voedingseenheden als u het apparaat wilt gebruiken **met externe voedingseenheden**.
- Als u het apparaat wilt gebruiken met een **stroombegrenzer**, moet deze begrenzer voldoen aan EN60950. Andere voedingseenheden kunnen de apparatuur schade toebrengen of brand of een elektrische schok veroorzaken.
- Als het apparaat op **24 V-wisselspanning** werkt, is de normale ingangsspanning 24 V. Er mag niet meer dan 30 V-wisselspanning worden toegepast op de netingang van het apparaat. De meegeleverde bedrading tussen de 24 V-wisselspanningsbron en het apparaat moet voldoen aan de richtlijnen voor elektronica (voedingsniveau klasse 2). Aard de 24 V-wisselspanningsbron niet bij de aansluitklemmen van de voedingsbron of van het apparaat zelf.

11. Aarding - Als het kabelsysteem dat op het apparaat is aangesloten van buiten komt, moet het kabelsysteem geaard zijn. Alleen voor modellen in de V.S. -- Sectie 810 van de National Electrical Code, ANSI/NFPA No.70, bevat informatie over het correct aarden van het montagestatief en het montagehulpstuk, het aarden van de coaxkabel aan een ontladingseenheid, de grootte van de aardingsconductoren, de plaats van de ontladingseenheid, de aansluiting op aardingselektrodes en vereisten voor de aardingselektrode.

12. Aarding en polarisatie - Het apparaat is mogelijk uitgerust met een gepolariseerde stekker (deze heeft twee stiften waarvan de ene breder is dan de andere). Deze veiligheidsfunctie zorgt ervoor dat de stekker slechts op één manier in het stopcontact kan worden gestopt. Draai de stekker om en probeer het nogmaals als deze niet helemaal in het stopcontact gaat. Neem contact op met een elektricien als u de stekker nog steeds niet in het stopcontact kunt stoppen en laat het verouderde stopcontact vervangen. Probeer nooit de beveiliging op de gepolariseerde stekker te veranderen.

Het apparaat kan ook uitgerust zijn met een driedradige aardingsstekker (een stekker met een derde aardingspen). Deze veiligheidsfunctie zorgt ervoor dat de stekker alleen in een aardingsstopcontact kan worden gestopt. Als u de stekker nog steeds niet in het stopcontact kunt stoppen, neemt u contact op met een elektricien om het verouderde stopcontact te vervangen. Probeer nooit de beveiliging op de aardingsstekker te veranderen.

13. Onweer - Het wordt aanbevolen als extra beveiliging tegen onweer of als u het apparaat langere tijd niet gebruikt, het netsnoer uit het stopcontact te halen en alle overige kabels los te koppelen. Zo voorkomt u bliksemschade en schade veroorzaakt door stroomstoten.

VEILIGHEIDSMAAATREGELEN

VOOR PRODUCTEN DIE BINNENSHUIS WORDEN GEBRUIKT

1. Water en vocht - Gebruik het apparaat niet in de buurt van water, bijvoorbeeld in een vochtige kelder, buiten op een onbeschutte plaats of op een plaats waarvan bekend is dat er veel vocht aanwezig is.

2. Binnendringen van voorwerpen en vloeistoffen - Duw geen voorwerpen door de openingen van het apparaat. Dit kan kortsluitingen veroorzaken en aanleiding geven tot brand of elektrische schokken. Mors geen vloeistof op het apparaat.

3. Netsnoer en -bescherming - Als het apparaat op 230 V wisselspanning, 50 Hz, werkt, moeten de ingaande en uitgaande netsnoeren voldoen aan de laatste versie van IEC-publicatie 227 of IEC-publicatie 245.

Houd netsnoeren uit de buurt van looppaden en plaats ze zodanig dat ze niet bekneld raken. Let hierbij vooral op snoeren en stekkers, stopcontacten en het punt waar de kabel het apparaat verlaat.

4. Overbelasting - Overbelast stopcontacten of verlengsnoeren niet, omdat dit aanleiding kan geven tot brand of elektrische schokken.

VOOR PRODUCTEN DIE BUITENSHUIS WORDEN GEBRUIKT

1. Stroomkabels - Plaats een buitensysteem niet in de buurt van bovenhoofdse kabels, licht- of stroomcircuits of licht- of stroomcircuits waarmee het apparaat in aanraking kan komen. Ga tijdens de installatie van een buitensysteem zeer voorzichtig te werk. Contact met bovenhoofdse kabels of circuits kan dodelijk zijn. Alleen voor modellen in de V.S. - Raadpleeg de National Electrical Code Article 820 in verband met de installatie van CATV-systemen.

VOOR PRODUCTEN DIE IN EEN REK WORDEN GEMONTEERD

1. Ventilatie - Plaats dit apparaat niet in een ingebouwd systeem of rek, tenzij er voldoende ventilatie is en de voorschriften van de fabrikant worden nageleefd. De apparatuur mag de maximale vereisten voor de bedrijfstemperatuur niet overschrijden.

2. Mechanische belasting - Wanneer de apparatuur in een rek wordt geplaatst, moet de mechanische belasting gelijk worden verdeeld om gevaarlijke situaties te vermijden.



VOORZICHTIG

GEVAAR VOOR ELEKTRISCHE SCHOK.
NIET OPENEN!



Voorzichtig: open de behuizing of de achterkant van het apparaat niet. Zo vermindert u het risico op elektrische schokken. De camera bevat geen onderdelen die door de gebruiker onderhouden dienen te worden.

Laat service en onderhoud uitvoeren door gekwalificeerd personeel.



Dit symbool geeft aan dat er binnen in het apparaat ongeïsoleerde, gevaarlijke spanning aanwezig is die mogelijk elektrische schokken kan veroorzaken.



De gebruiker dient de bedienings- en onderhoudsvorschriften te raadplegen in de bij het apparaat behorende documentatie.



Attentie: het apparaat mag alleen door gekwalificeerd personeel worden geïnstalleerd. De installatie dient in overeenstemming met de nationale elektrische richtlijnen of de van toepassing zijnde lokale richtlijnen te worden uitgevoerd.



Spanning uitschakelen. Apparatuur met of zonder aan-uitschakelaar staat onder spanning zolang de stekker is aangesloten op de wandcontactdoos. De apparatuur is uitsluitend in werking als de aan-uitschakelaar aan staat. Het netsnoer is de "hoofdschakelaar" voor alle apparatuur.

INHOUDSOPGAVE

1 UITPAKKEN	51
2 SERVICE	51
3 INSTALLATIE	51
3.1 Modelspecificaties	51
3.2 Aanbevolen montageapparatuur	52
3.3 Wandmontage	52
3.4 Montage camera/objectief/behuizing	52
3.5 Elektrische aansluitingen	52
3.6 Aardverbinding	52
3.7 Connector-unit	52
3.8 Zwenkstops (345°-modellen)	54
4 BEDIENING	54
4.1 Handmatige zwenkfunctie (345°-modellen)	54
4.2 Automatische zwenkfunctie (345°-modellen)	54
4.3 Instelling zwenkstops (345°-modellen)	55
4.4 Zwenkfunctie (360°-modellen)	55
4.5 Instelling kipstops (alle modellen)	55
4.6 modellen met pre-positieoptie	55
5 Aansluitschema's	56
6 Aanbevolen toepassingen	59
7 Maattekeningen	59

I UITPAKKEN

Deze elektromechanische apparatuur moet voorzichtig worden uitgepakt en behandeld.

Controleer de inhoud op de volgende onderdelen:

- modelnummer van de unit
- inbussleutel 3/32 inch
- aansluitingsset 315 1232 001

Als een onderdeel tijdens het vervoer blijkt te zijn beschadigd, plaats het dan terug in de verpakking en stel de vervoerder op de hoogte. Als er onderdelen ontbreken, neemt u contact op met Bosch Security Systems.

De originele doos is de veiligste verpakking waarin de unit kan worden vervoerd. Bewaar de doos dan ook voor eventueel toekomstig gebruik.

2 SERVICE

Als het apparaat moet worden gerepareerd, dient de klant contact op te nemen met het dichtstbijzijnde Service Center van Bosch Security Systems, Inc. voor toestemming om het terug te zenden en voor vervoersaanwijzingen.

Service Centers

V.S.: 800-366-2283 of 408-956-3895

Fax: 800-366-1329 of 408-956-3896

E-mail: NationalServiceCenter@ca.slr.com

Canada: 514-738-2434

Europa, Midden-Oosten, en Azië en de Pacific:
800-366-2283

Voor meer informatie gaat u naar
www.boschsecuritysystems.com

3 INSTALLATIE



De installatie dient te worden uitgevoerd door een gekwalificeerde servicemonteur en in overeenstemming met alle lokale voorschriften.



Schakel alvorens de stekker van de zwenk/kip-unit aan te sluiten of los te koppelen altijd eerst de desbetreffende groep in de meterkast uit. Monteer de zwenk/kip-unit dusdanig hoog dat onbevoegden deze niet kunnen bereiken (ten minste 3 meter hoog).



Deze units zijn ontworpen voor verticale of omgekeerde installatie. Ten behoeve van het behoud van de weerbestendigheid bij installatie buiten in een omgekeerde positie dient de unit in een weerbestendige (bijvoorbeeld een koepelvormige) behuizing of op een van weersinvloeden afgeschermd plaats te worden gemonteerd.

Zwenk/kip-units en de bijbehorende apparatuur dienen alvorens op locatie te worden geïnstalleerd te worden getest ter controle van de bedrading en van een adequate werking van de componenten.

LTC 9418 & LTC 9420

Op een afstand van 63,5 mm van het massamiddelpunt van het samenstel van camera/objectief/behuizing tot het centrum van het kipplateau is de maximale belasting 10 kg en het maximale aandraaimoment 149 kg/cm.

LTC 9440 & LTC 9441

Op een afstand van 79,2 mm van het massamiddelpunt van het centrum van het kipplateau is de maximale belasting 18 kg en het maximale aandraaimoment 297 kg/cm. Het gecombineerde gewicht van behuizing/camera/objectief dient voor een optimale zwenk- en kippbeweging van voor naar achter gelijkmatig op het kipplateau te worden gecentreerd.

Zie **AANBEVOLEN TOEPASSINGEN**.

3.1 Modelspecificaties

Serie LTC 9418	Belasting: Belasting 10 Kg, aandraaimoment 149 kg-cm Bedrading: standaard Vereiste voeding: 24 W
Serie LTC 9420	Belasting: Belasting 10 Kg, aandraaimoment 149 kg-cm Bedrading: doorvoer Vereiste voeding: 24 W
Serie LTC 9440	Belasting: Belasting 18 kg, aandraaimoment 297 kg-cm Bedrading: standaard Vereiste voeding: 20 W
Serie LTC 9441	Belasting: Belasting 18 kg, aandraaimoment 297 kg-cm Bedrading: doorvoer Vereiste voeding: 20 W

	Nominale motorspanning	Spanningsbereik
/60-modellen*:	120 VAC, 60 Hz	108 tot 132
/20-modellen*:	24 VAC, 60 Hz	21,6 tot 26,4
* 18 kg-modellen	24 VAC, 60 Hz	23 tot 26,4
/10-modellen:	24 VAC, 50 Hz	21,6 tot 26,4
/50-modellen:	220 VAC, 50 Hz	207 tot 253

Zwenkbereik: 0° tot 345° bij standaardmodellen, 0° tot 360° bij modellen met volledige zwenkmogelijkheid. Pre-positie is aangewezen als -/x1, bij LTC 9441/61



Waarschuwing: belast 24 VAC-modellen niet met een spanning hoger dan 30 VAC. Voeding met een spanning boven 30 VAC beschadigt de laagspanningswerking (specificaties klasse 2). Normaal bedrijf is op 24 VAC. 24 VAC-modellen met CUL-goedkeuring.



Waarschuwing: sluit deze modellen uitsluitend aan op voeding van klasse 2. Totale stroom via elektrische aansluiting is ten hoogste 4 A. Zwenk/kipstroom is ten hoogste 1 A. Max. toelaatbare stroom camera/behuizing is 3 A. Gebruik alleen 24 VAC-camera's en behuizingen op doorvoermodellen.

3.2 Aanbevolen montageapparatuur

LTC 9216/00	Middelzware wandsteun met een ontwerpbelastbaarheid van ten hoogste 45,3 kg.
LTC 9222/00	Zware wandsteun met een ontwerpbelastbaarheid van ten hoogste 90,6 kg.
LTC 9214/00	Zware 336 mm kolomsteun voor plafond- of vloermontage.
LTC 9224/00	Zware 610 mm kolomsteun voor plafond- of vloermontage.

3.3 Wandmontage

Volg de bij de beugels geleverde instructies. De steun en het oppervlak waarop de montage plaatsvindt, moeten het gewicht van zwenk/kip-unit, camera/objectief en behuizing (indien gebruikt) kunnen dragen. Het samenstel van camera/objectief/behuizing dient goed op de voor de zwenk- en kippbeweging bestemde arm te worden gemonteerd en gebalanceerd.



Waarschuwing: de zwenk/kip-unit kan alleen verticaal of omgekeerd worden gemonteerd, nooit horizontaal.

3.4 Montage camera/objectief/behuizing

Monteer de camera/het objectief/de behuizing als volgt op de zwenk/kipsteun:

1. Breng de camera/het objectief/de behuizing in balans en plaats de unit precies op de montageopeningen. Zet het geheel vast met ten minste twee (2) bouten van 1/4-20 x 1/2 inch en moeren voorzien van borgringen.
2. Bereid alle elektrische aansluitingen voor. Laat ten behoeve van de zwenk- en kippbeweging voldoende kabel over tussen camera/behuizing en zwenk/kip-unit.

3.5 Elektrische aansluitingen

1. Kabels dienen te worden bedraad volgens **Connector-unit** (Sectie 3.7) en **Aanbevolen Maximale kabellengten** (Tabel I).
2. Gebruik aparte, afgeschermd kabels voor de voeding van de camera, de behuizing en de zwenk/kipbesturing. Indien nodig is een gecombineerde bedrading van de objectiefbesturing en de video-coax in een gemeenschappelijke kabel aanvaardbaar. Het gebruik van een gemeenschappelijke, meeraderige kabel voor de combinatie van alle functies is niet aan te raden.
3. Maak gebruik van aders met kleurcodering om de bedrading te vereenvoudigen en in een later stadium de verschillende kabels uit elkaar te kunnen houden.

4. Bewaar het bedradingsschema voor toekomstig gebruik.

Model Spanning	Draadgrootte		Afstand ¹	
	Mm ²	AWG	voet	meter
24 VAC ²	0,5	20	140	43
	1	18	230	70
	1,5	16	360	110
	2,5	14	590	180
110 VAC	4	12	940	287
	0,5	20	2200	671
	1	18	3500	1067
	1,5	16	5500	1677
220 VAC	2,5	14	9000	2744
	0,5	20	13400	4085
	1	18	21200	6463
	1,5	16	33300	10152
	2,5	14	54400	16585

Tabel I Maximale kabellengten

Opmerkingen voor tabel I

9. Waarden berekend bij 20 °C met gebruikmaking van geslagen, vertind koperdraad, gemeenschappelijke aarde (nulleider), en bij een gelijktijdige werking van de zwenk- en de kippmotor.
10. Bij 24 VAC-modellen die werkzaam zijn bij ongeveer -30° C worden de waarden gebaseerd op het handhaven van de geleverde spanning binnen het spanningsbereik zoals gespecificeerd in sectie 3.1.

Voor het aankrimpen van de contactvoetjes wordt een handkrimptang van AMP, nr. 58495-1 geadviseerd. Raadpleeg **afbeelding 2** voor de genummerde connectorposities. Op de aansluiting kan een draad van ten hoogste nr. 16 AWG worden aangesloten. Als er zwaardere draad moet worden gebruikt, wordt aangeraden gebruik te maken van vrije draadverbindingen in overeenstemming met de lokale elektriciteitsvoorschriften.



Waarschuwing: voor het verwijderen van contacten uit de aansluiting dient uittrektang AMP nr. 305183 te worden gebruikt.

3.6 Aardverbinding

Op de basis bevindt zich rechts van de aansluiting een aardingschroef. Zie **afbeelding 8**. Sluit een aardingsdraad met een koperdoorsnede van 1 mm² (nr. 18 AWG) op het dichtstbijzijnde aardpunt aan.

3.7 Connector-unit

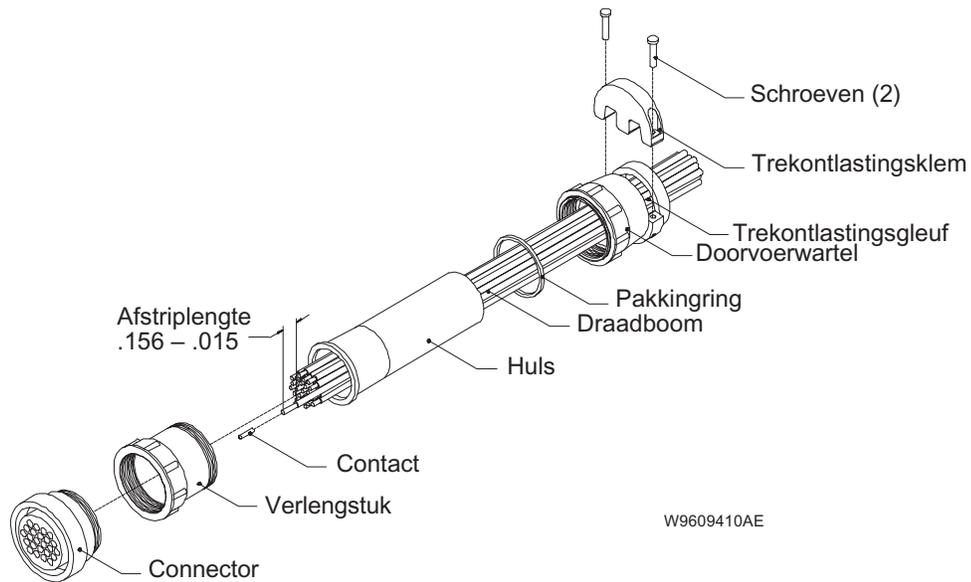
Bij de unit worden een bijpassende aansluiting, contactvoetjes en een trekontlasting geleverd. Zie **afbeelding 1**.

Kies de juiste maat trekontlastingsklem ten behoeve van de installatie. Kies een van de twee bij de huls en het verlengstuk gevoegde trekontlastingsklemmen. Het klemgedeelte kan worden aangepast door de trekontlastingsklemmen om te draaien of een andere klem te gebruiken. Leg de vier trekontlastingen die op de draagstrip samen met de doorvoerwartel zijn verpakt terzijde.

Breng de klem zo ver mogelijk in de trekontlasting. De klem dient de draadboom te raken, **niet** de kraag van de doorvoerwartel. Als de diameter van de draadboom te klein is, omwikkel de draad dan **tijdelijk** met elektrotechnische tape totdat een goede klemwerking is bereikt. Zet de klem met de twee (2) meegeleverde schroeven vast.

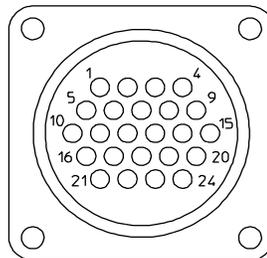


Waarschuwing: controleer of de draadboom goed is gezekerd. Klem de draden NIET af.



Afbeelding 1: Unit doorvoerwartel/trekontlasting

BENOEMING DRADEN EN PINAANSLUITINGEN



Afbeelding 2: pin-outs

345°-modellen zonder pre-positieoptie^{5,6} Doorvoerbedrading

Nummer pin	Kleur
1: NA ¹	
2: NA ¹	
3: NA ¹	
4: NA ¹	
5: objectief gemeensch.	groen ²
6: zoom	blauw ²
7: focus	violet ²
8: niet in gebruik	bruin ²
9: niet in gebruik	zwart ²
10: I0: accessoire	wit ^{2,3}
11: I1: accessoire	rood ^{2,3}
12: I2: accessoire	geel ^{2,3}
13: NA ¹	
14: NA ¹	
15: NA ¹	
16: links zwenken	wit
17: NA ¹	
18: rechts zwenken	violet
19: zwenk/kip gemeensch.	blauw
20: omhoog kippen	bruin
21: omlaag kippen	wit/geel
22: aarde	groen/geel ²
23: camera stroomvoerend	zwart ^{2,4}
24: camera nulleider	wit ^{2,4}

345°-modellen zonder pre-positieoptie^{5,6} Standaardbedrading

Nummer pin	Kleur
1: NA ¹	
2: NA ¹	
3: NA ¹	
4: NA ¹	
5: NA ¹	
6: NA ¹	
7: NA ¹	
8: NA ¹	
9: NA ¹	
10: NA ¹	
11: NA ¹	
12: NA ¹	
13: NA ¹	
14: NA ¹	
15: NA ¹	
16: links zwenken	wit
17: NA ¹	
18: rechts zwenken	violet
19: zwenk/kip gemeensch.	blauw
20: omhoog kippen	bruin
21: omlaag kippen	wit/geel
22: aarde	groen/geel ²
23: NA ¹	
24: NA ¹	

360°-modellen met en zonder pre-positie^{7,8}

Nummer pin	Kleur
1: zwenken +5 V	oranje ⁸
2: zwenken Sense (3)	wit/zwart/geel ⁸
3: zwenken -5 V	wit/zwart/rood ⁸
4: kippen Sense	wit/zwart/bruin ⁸
5: objectief gemeensch.	groen ²
6: zoom	blauw ²
7: focus	violet ²
8: NA ¹	
9: NA ¹	
10: accessoire	wit ^{2,3}
11: accessoire	rood ^{2,3}
12: accessoire	geel ^{2,3}
13: NA ¹	
14: NA ¹	
15: zwenken Sense (2)	wit/oranje ⁸
16: links zwenken	wit
17: NA ¹	
18: rechts zwenken	violet
19: zwenk/kip gemeensch.	blauw
20: omhoog kippen	bruin
21: omlaag kippen	wit/geel
22: aarde	groen/geel ²
23: camera AC-lijn	zwart ^{2,4}
24: camera nulleider	wit ^{2,4}

345°-modellen met pre-positieoptie^{5,6} Doorvoerbedrading

Nummer pin	Kleur
1: voeding PP (+)	oranje ²
2: zwenkpositie	geel ²
3: retourleiding PP (-)	grijs ²
4: kippositie	wit/zwart ²
5: objectief gemeensch.	groen ²
6: zoom	blauw ²
7: focus	violet ²
8: positie zoom	bruin ²
9: positie focus	zwart ²
10: accessoire	wit ^{2,3}
11: accessoire	rood ^{2,3}
12: accessoire	geel ^{2,3}
13: NA ¹	
14: NA ¹	
15: NA ¹	
16: links zwenken	wit
17: NA ¹	
18: rechts zwenken	violet
19: zwenk/kip gemeensch.	blauw
20: omhoog kippen	bruin
21: omlaag kippen	wit/geel
22: aarde	groen/geel ²
23: camera AC-lijn	zwart ^{2,4}
24: camera nulleider	wit ^{2,4}

345°-modellen met pre-positieoptie^{5,6} Standaardbedrading

Nummer pin	Kleur
1: voeding PP (+)	oranje ²
2: zwenkpositie	geel ²
3: retourleiding PP (-)	grijs ²
4: kippositie	wit/zwart ²
5: NA ¹	
6: NA ¹	
7: NA ¹	
8: NA ¹	
9: NA ¹	
10: NA ¹	
11: NA ¹	
12: NA ¹	
13: NA ¹	
14: NA ¹	
15: NA ¹	
16: links zwenken	wit
17: NA ¹	
18: rechts zwenken	violet
19: zwenk/kip gemeensch.	blauw
20: omhoog kippen	bruin
21: omlaag kippen	wit/geel
22: aarde	groen/geel ²
23: NA ¹	
24: NA ¹	

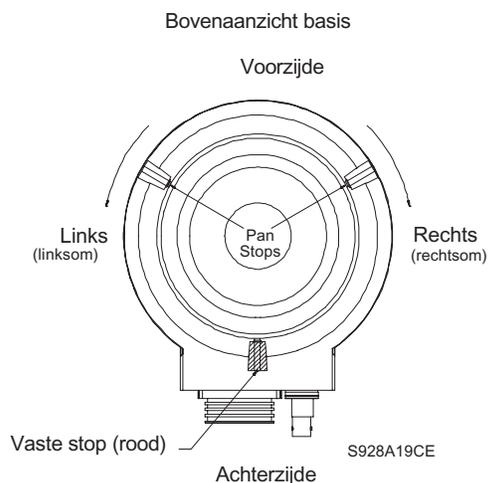
Voetnoten

1. NA -- Niet Aangesloten; niet gebruiken.
2. (Kleurcodes) geven doorvoerbedrading aan naar camera/behuizing.
3. Alleen van toepassing op modellen van 24 volt. Pin 10 t/m 12 worden niet gebruikt in modellen van 110 of 220 volt.
4. Genoemde (kleurcodes) zijn voor modellen van 24 en 110 volt. Voor modellen van 220 volt zijn de kleurcodes (23) bruin en (24) blauw.
5. De geleiders voor pin 16 t/m 24 (indien van toepassing) op modellen van 220 volt dienen te worden geïsoleerd van andere bedrading op basis van de strengere isolatie-eisen van DIN VDE 0860/05.89, IEC 65. De geleiders voor pin 16 t/m 24 (indien van toepassing) moeten worden uitgevoerd in HAR-draad met een minimale koperdoorsnede van 0,75 mm² (H05 VV-F).
6. Raadpleeg **afbeelding 6** onder Aansluitschema's voor het bedradingsschema.
15. Raadpleeg **afbeelding 7** onder Aansluitschema's voor het bedradingsschema.
16. Alleen voor modellen met pre-positieoptie. Raadpleeg **afbeelding 8** voor het bedradingsschema.

3.8 Zwenkstops (345°-modellen)

Bepaal de positie van de drie (3) begrenzingsstops op de basis van de unit. De rode begrenzingsstop is de vaste stop. Deze is niet instelbaar en dient **niet** te worden verwijderd. De overige twee (2) stops zijn de zwenkstops. Deze zijn aangebracht aan weerszijden van de zwenkschakelaar.

De twee (2) zwenkstops zijn instelbaar en worden vastgezet met een stelschroef. Deze schroeven kunnen worden bereikt via de opening in het uiteinde van elke stop. Gebruik een 3/32-inch inbussleutel (meegeleverd) om de stelschroeven los te draaien en vast te zetten. Zie **afbeelding 3**.



Afbeelding 3: locaties zwenkstops (345°-modellen)

4 BEDIENING

4.1 Handmatige zwenkfunctie (345°-modellen)

De zwenkstops bepalen de grenzen van de handmatige zwenkfunctie. De twee (2) instelbare zwenkstops kunnen afhankelijk van de gewenste werking in een andere positie worden geplaatst of worden verwijderd. De opstelling met het maximale zwenkbereik wordt weergegeven in **afbeelding 4**.

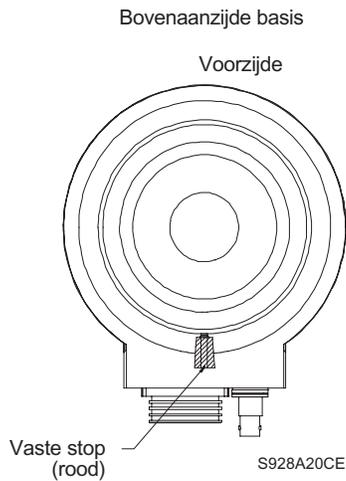


Waarschuwing: verplaats of verwijder nooit de vaste stop. Voor een goede werking van de zwenkfunctie moet deze stop altijd op zijn plaats blijven.

4.2 Automatische zwenkfunctie (345°-modellen)

Om van de automatische zwenkfunctie gebruik te kunnen maken dienen pin 16 (links zwenken), pin 18 (rechts zwenken) en pin 19 (gemeensch.) te worden aangesloten. Zie **afbeelding 6**. De automatische zwenkfunctie wordt tot stand gebracht doordat de besturingseenheid wijzigingen detecteert in de stroom die door de zwenkmotor loopt. Zodra er een zwenkstop wordt bereikt, loopt er geen stroom meer en zorgen de interne schakelingen van de besturingseenheid ervoor dat de automatische zwenkbeweging van richting verandert.

Opmerking: de zwenk/kipbesturingseenheid moet zijn uitgerust met speciale stroomdetectieschakelingen om in deze modus de automatische zwenkfunctie te kunnen gebruiken. De zwenkstops of de vaste stop zijn bepalend voor de grenzen van de automatische zwenkfunctie.



**Afbeelding 4: maximaal handmatig en automatisch zwenkbereik
Automatische zwenkfunctie (345°-modellen)**

4.3 Instelling zwenkstops (345°-modellen)

1. Draai de zwenkstops los en stel ze in op het gewenste bereik voor handmatige zwenkwerking en automatische zwenkwerking. Een verzonken deel in de kop van het zwenkmechanisme zorgt voor voldoende ruimte om een stop van de basis te kunnen verwijderen.
2. Als alle stops zijn geplaatst, controleer dan of ze goed zijn bevestigd.
3. Bedien de unit vanuit de besturingseenheid om er zeker van te zijn dat de grenzen op de juiste wijze zijn ingesteld. Indien nodig opnieuw instellen.

4.4 Zwenkfunctie (360°-modellen)

Deze modellen kunnen een zwenkbeweging maken van 360 graden. Zij hebben geen zwenkstops. Deze units kunnen handmatig naar links of naar rechts zwenken of zij kunnen als de automatische zwenkfunctie is geactiveerd continu naar links of naar rechts zwenken. Voor activering van de automatische zwenkfunctie dienen pin 16 (links zwenken), pin 18 (rechts zwenken) en pin 19 (gemeensch.) te worden aangesloten. Zie **afbeelding 7**.

4.5 Instelling kipstops (alle modellen)

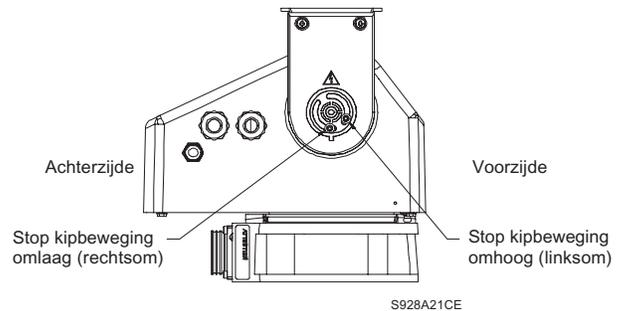
Nadat de unit is geïnstalleerd en alle draadverbindingen zijn gemaakt, dient de besturingseenheid te worden voorzien van de juiste voeding. Raadpleeg **afbeelding 5** en stel de kipstops als volgt in:

1. Verwijder gezien vanaf de voorzijde van de zwenk/kip-unit het linker naafdeksel. Nu zijn de stelschroeven voor de instelling van de kippbeweging zichtbaar.
2. Breng met behulp van de besturingseenheid de steun omhoog tot de gewenste hoogte en stop vervolgens de unit. Gebruik de 3/32-inch inbussleutel om de begrenzingsstop voor de kippbeweging omhoog los te draaien. Schuif de stop omhoog tot u een zwakke klik hoort (duidt op activering schakelaar). Zet de begrenzingsstop voor de kippbeweging omhoog weer vast.

3. Breng met behulp van de besturingseenheid de steun op de gewenste hoogte en stop vervolgens de unit. Gebruik de 3/32-inch inbussleutel om de begrenzingsstop voor de kippbeweging omlaag los te draaien. Schuif de stop omlaag tot u een zwakke klik hoort. Zet de begrenzingsstop voor de kippbeweging omlaag weer vast.
4. Controleer met de besturingseenheid of de kippfunctie (werking en bereik stops) goed werkt. Herhaal indien nodig de bovenstaande procedure. Controleer of beide kippstopschroeven goed passend zijn bevestigd. Herplaats het naafdeksel.



Waarschuwing: gebruik de zwenk/kip-unit niet zonder stops. De stops mogen niet worden gewijzigd als de unit in bedrijf is.

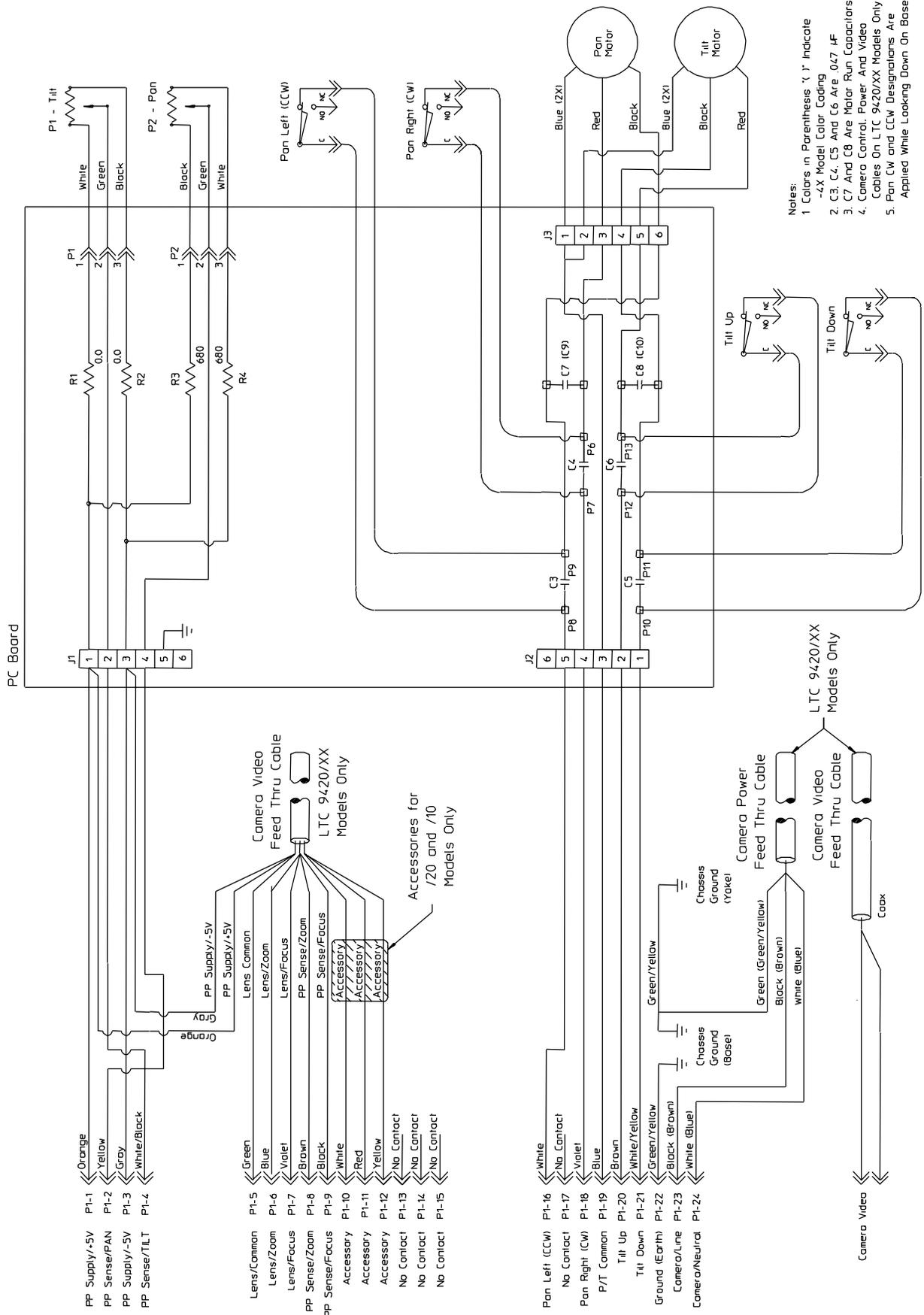


Afbeelding 5: kipstops (zij-aanzicht - dop verwijderd)

4.6 modellen met pre-positieoptie

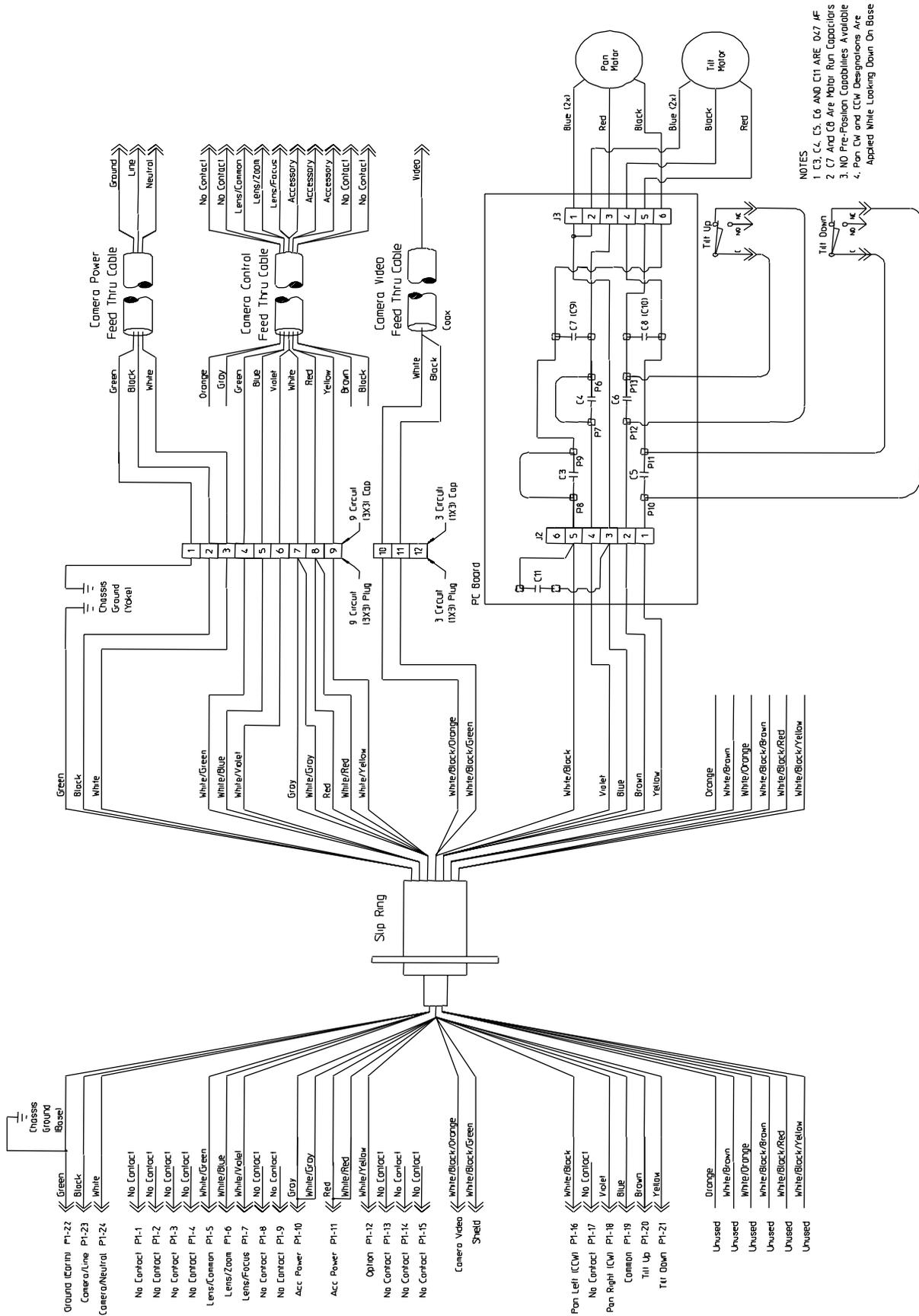
Bij de 345°-modellen met pre-positieoptie zijn draadverbindingen naar pin 1 t/m 4, 8 en 9 vereist, alsmede het gebruik van een besturingseenheid of ontvanger/aansturing die over de pre-positiefunctie beschikt. De zwenk- en kippbeweging en de instelling van de begrenzingsstops gaat exact hetzelfde in zijn werk als bij de eerder beschreven modellen.

5 AANSLUITSCHEMA'S

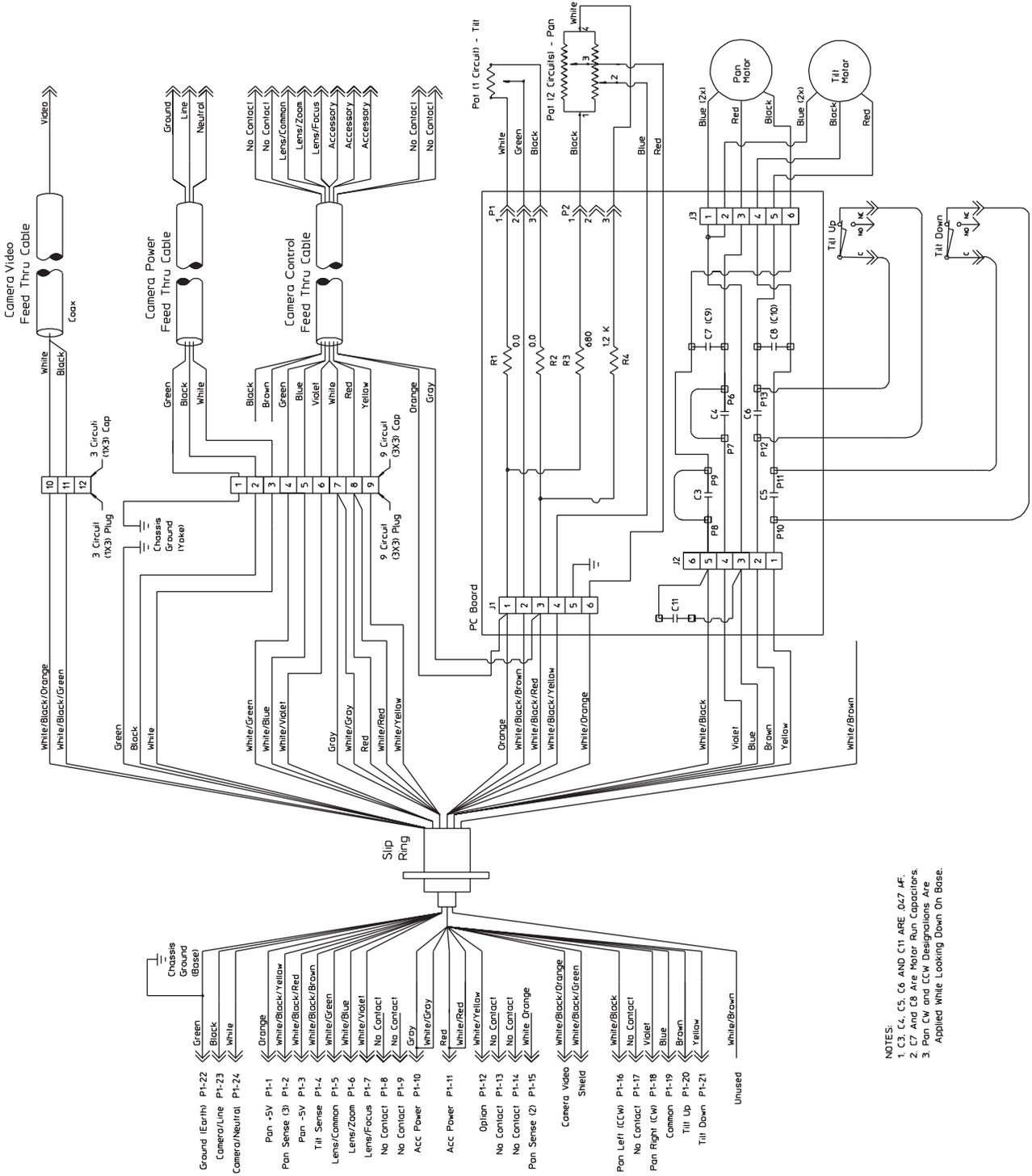


- Notes:
- Colors in Parenthesis () Indicate -4X Model Color Coding
 - C3, C4, C5 And C6 Are 0.1 µF
 - C7 And C8 Are Motor Run Capacitors
 - Camera Control, Power And Video Cables On LTC 9420/XX Models Only
 - Pan CW and CCW Designations Are Applied While Looking Down On Base

Afbeelding 6: aansluitschema - 0° tot 345°-modellen



Afbeelding 7: aansluitschema - 360°-modellen



Afbeelding 8: aansluitschema - 360°-modellen

6 AANBEVOLEN TOEPASSINGEN

Alleen voor 360°-modellen



Gebruik met 360°-zwenk/kipmodellen alleen camera's/behuizingen van 24 volt.



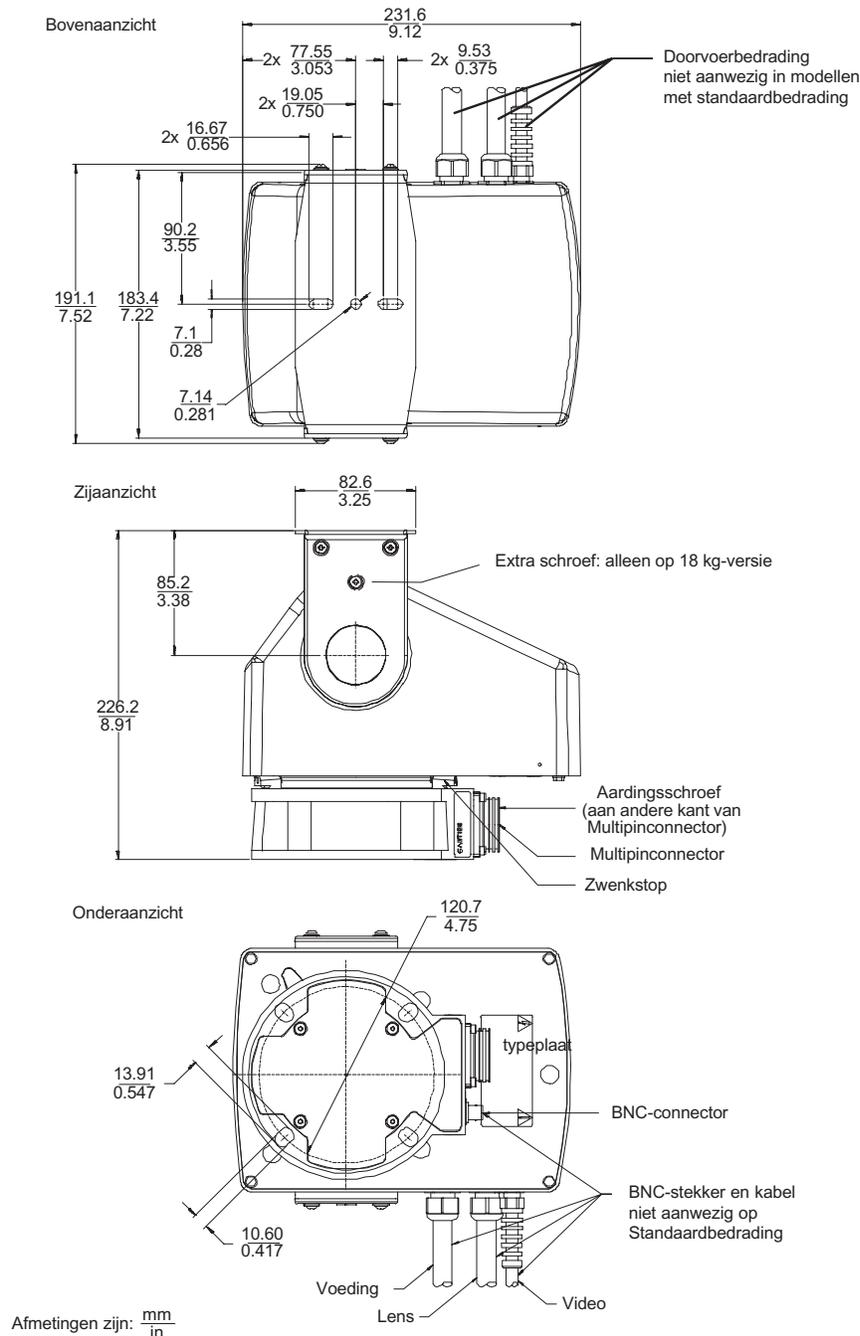
Het maximumvermogen voor verwarmings/ventilatiecombinaties is 75 watt ter voorkoming van overbelasting van de sleepkring. Deze belasting dient te worden gevoed door pin 10, (wit; doorvoer) en pin 11 (rood; doorvoer). Zie **Afbeelding 2**.

Doorvoer modellen van 24 volt



Voor het behoud van de CUL- en TÜV-goedkeuring dient alleen gebruik te worden gemaakt van camera's/behuizingen van 24 volt.

II MAATTEKENINGEN



W9601402CE

Afbeelding 9

PRECAUZIONI IMPORTANTI:

1. Leggere, seguire e conservare le istruzioni - Si consiglia di leggere e seguire tutte le istruzioni operative relative alla sicurezza prima di utilizzare l'unità. Conservare le istruzioni.

2. Rispettare le avvertenze – Attenersi a tutte le avvertenze riportate sull'unità e nelle istruzioni operative.

3. Accessori - Non utilizzare accessori non raccomandati dal produttore poiché possono costituire fonte di rischio.

4. Precauzioni di installazione - Non collocare l'unità su un supporto, un cavalletto, una mensola o uno scaffale non stabile poiché potrebbe cadere, causando gravi lesioni e riportando danni rilevanti. Utilizzare solo gli accessori raccomandati dal produttore o venduti insieme al prodotto.

Montare l'unità attenendosi alle istruzioni del produttore. Spostare con cautela il gruppo costituito da dispositivo e carrello. Arresti bruschi, forza eccessiva o superfici irregolari possono causare il ribaltamento del dispositivo e del carrello.

5. Pulizia - Scollegare l'unità dalla presa prima di eseguire le operazioni di pulizia. Attenersi a tutte le istruzioni fornite con l'unità. In genere, è sufficiente utilizzare un panno umido. Non utilizzare detergenti, liquidi o spray.

6. Interventi tecnici - Non tentare di riparare l'unità personalmente. L'apertura o la rimozione delle coperture può esporre a tensioni pericolose e altri rischi. Per qualsiasi intervento, rivolgersi al personale tecnico qualificato.

7. Danni che richiedono un intervento tecnico - Scollegare l'unità dalla fonte di alimentazione principale e richiedere l'intervento del personale tecnico qualificato nei casi di seguito descritti:

- Danni al cavo di alimentazione o alla spina.
- Caduta di liquidi od oggetti all'interno dell'unità.
- Esposizione dell'unità all'acqua e/o alle intemperie (pioggia, neve e così via).
- Errato funzionamento dell'unità durante l'esecuzione delle istruzioni operative riportate di seguito. Un'errata regolazione dei controlli non specificati nelle istruzioni operative può causare danni.
- Caduta dell'unità o danni al cabinet.
- Modifica delle prestazioni dell'unità.

8. Componenti di ricambio - Se richiesta la sostituzione di componenti, è necessario che il tecnico dell'assistenza utilizzi i componenti di ricambio specificati dal produttore o aventi le stesse caratteristiche dei componenti originali. Sostituzioni improprie possono causare incendi, scosse elettriche o altri rischi.

9. Controlli di sicurezza - Al termine dell'intervento di manutenzione o riparazione dell'unità, chiedere al tecnico dell'assistenza di effettuare dei controlli relativi alla sicurezza per accertare il corretto funzionamento dell'unità.

10. Fonti di alimentazione – Alimentare l'unità solo con l'alimentazione indicata nei dati di targa. Se non si è certi del tipo di alimentatore da utilizzare, contattare il proprio rivenditore o l'azienda elettrica locale.

- Per le unità con alimentazione a batteria, consultare le istruzioni operative.
- Per le unità **con fonti di alimentazione esterne**, utilizzare solo gli alimentatori consigliati.
- Per le unità con **alimentatore a corrente limitata**, è necessario che tale alimentatore sia conforme alla normativa EN60950. Le sostituzioni non autorizzate possono danneggiare l'unità o causare incendi o scosse elettriche.
- Per le unità con alimentazione a **24 V CA**, la tensione nominale è 24 V CA, la massima tensione applicabile non deve essere superiore a 30 V CA. La linea di alimentazione 24 V CA deve essere conforme alle normative (livelli di alimentazione di Classe 2). Non effettuare la messa a terra dell'alimentazione 24 V CA in corrispondenza della morsettiera o dei terminali di alimentazione dell'unità.

11. Messa a terra del cavo coassiale – Se all'unità è collegato un sistema via cavo esterno, accertarsi che il sistema via cavo sia collegato a terra. Solo per i modelli USA il "National Electrical Cod, Section 810, ANSI/NFPA n. 70" fornisce informazioni relative a un'adeguata messa a terra della struttura e del sostegno, collegamento del cavo coassiale ad un dispersore, dimensioni dei conduttori di messa a terra, ubicazione del dispersore, collegamento agli elettrodi di messa a terra e requisiti dell'elettrodo.

12. Messa a terra o polarizzazione – L'unità potrebbe essere dotata di una spina per corrente alternata polarizzata (spina con una lamella piatta più larga dell'altra). Tale caratteristica di sicurezza consente l'inserimento della spina nella presa in un solo verso. Se non fosse possibile inserirla completamente, provare ad invertirla. Se anche in questo caso non fosse possibile, contattare un elettricista per far sostituire la presa con un nuovo tipo. Non manomettere la funzione di sicurezza della spina.

In alternativa, è possibile dotare l'unità di una spina a tre conduttori (il terzo spinotto è per la messa a terra). Tale caratteristica di sicurezza consente l'inserimento della spina solo in una presa elettrica con messa a terra. Se non fosse possibile inserire la spina, contattare un elettricista per procedere alla sostituzione della presa con un nuovo tipo. Non manomettere la funzione di sicurezza della spina.

13. Fulmini - Per una maggiore protezione dell'unità durante i temporali o quando l'unità viene lasciata incustodita o inutilizzata per lunghi periodi di tempo, scollegare l'unità dalla presa a muro ed il sistema via cavo. Ciò consente di prevenire eventuali danni all'unità dovuti a fulmini e sovracorrenti della linea elettrica.

NORME DI SICUREZZA

PER INTERNO

1. Acqua ed umidità - Non utilizzare l'unità in prossimità d'acqua, ad esempio in uno scantinato umido, in un'installazione esterna non protetta od in una qualsiasi area classificata come ambiente umido.

2. Introduzione di oggetti e liquidi - Non introdurre mai oggetti di alcun tipo nell'unità attraverso le aperture, poiché è possibile entrare in contatto con tensioni pericolose e causare il cortocircuito con il rischio d'incendi e scosse elettriche. Non versare mai liquidi di alcun tipo sull'unità.

3. Cavo di alimentazione e protezione - Per le unità con alimentazione a **230 V CA, 50Hz**, il cavo di alimentazione in ingresso e in uscita deve essere conforme alle IEC 227 o 245.

Sistemare i cavi di alimentazione in modo da evitare che vengano calpestati o compressi. Prestare particolare attenzione alla posizione di cavi, spine, prese di derivazione ed al punto in cui fuoriescono dal dispositivo.

4. Sovraccarico - Non sovraccaricare le prese e le prolunghie poiché ciò potrebbe comportare il rischio d'incendi o scosse elettriche.

PER ESTERNO

1. Linee elettriche - Non collocare un sistema per esterno in prossimità di linee elettriche sospese, luci elettriche, circuiti d'alimentazione ed altri luoghi simili. Durante l'installazione di un sistema per esterno, è necessario prestare la massima attenzione al fine di evitare il contatto con tali linee o circuiti elettrici, poiché esso potrebbe avere conseguenze letali. U.S.A. fare riferimento all'Articolo 820 del Codice elettrico nazionale riguardo all'installazione dei sistemi CATV.

PER MONTAGGIO IN RACK

1. Ventilazione - Non collocare l'unità in un'installazione rack tranne quando sia disponibile una ventilazione adeguata o siano state seguite le istruzioni del produttore. L'apparecchiatura non deve superare i propri requisiti massimi relativi alla temperatura di esercizio.

2. Carico meccanico - Il montaggio dell'apparecchiatura in un rack deve essere effettuato in modo tale da impedire che si venga a creare una condizione di rischio dovuta a una distribuzione non uniforme del carico meccanico.



ATTENZIONE
PERICOLO DI SCOSSA ELETTRICA.
NON APRIRE.



Attenzione: per ridurre il pericolo di scosse elettriche, non aprire i coperchi. L'unità non contiene componenti riparabili dall'utente. Per qualsiasi intervento, rivolgersi a personale tecnico qualificato.



Il simbolo indica la presenza di "tensione pericolosa" non isolata all'interno della custodia del prodotto, con pericolo di scosse elettriche.



Il simbolo consiglia di consultare le istruzioni relative al funzionamento ed alla manutenzione nella documentazione fornita con il dispositivo.



Attenzione: l'installazione deve essere effettuata dal personale tecnico qualificato in conformità con il National Electrical Code o con le normative locali vigenti.



Scollegare l'alimentazione principale. Le unità dotate o sprovviste di interruttori ON-OFF vengono alimentate quando si inserisce il cavo nella presa di alimentazione. Tuttavia è in funzione solo quando l'interruttore ON-OFF si trova nella posizione ON. Il cavo di alimentazione costituisce l'alimentazione principale dell'unità.

INDICE

1 DISIMBALLAGGIO	63
2 ASSISTENZA	63
3 INSTALLAZIONE	63
3.1 Designazione modello.....	63
3.2 Attrezzatura di supporto consigliata.....	64
3.3 Montaggio a muro.....	64
3.4 Montaggio telecamera/obiettivo/custodia.....	64
3.5 Collegamenti elettrici.....	64
3.6 Collegamento a terra.....	64
3.7 Montaggio connettore.....	64
3.8 Finecorsa panoramica (Modelli a 345°).....	66
4 FUNZIONAMENTO	66
4.1 Panoramica manuale (Modelli a 345°).....	66
4.2 Panoramica automatica (Modelli a 345°).....	66
4.3 Regolazione finecorsa panoramica (Modelli a 345°).....	67
4.4 Funzionamento panoramica (Modelli a 360°).....	67
4.5 Regolazione finecorsa inclinazione (Tutti i modelli).....	67
4.6 Modelli con preposizionamento.....	67
5 SCHEMi ELETTRICI	68
6 APPLICAZIONI CONSIGLIATE	71
7 DISEGNO E DIMENSIONI	71

I DISIMBALLAGGIO

Disimballare con cautela. E' un apparecchiatura elettromeccanica e deve essere maneggiata con cura.

Controllare che ci sia quanto segue:

- Codice dell'unità.
- Chiave maschio esagonale da 3/32 pollici.
- Kit connettore 315 1232 001

Se un componente risulta danneggiato durante la spedizione, risistemarlo correttamente nella scatola e informare lo spedizioniere. Se uno qualunque dei componenti risultasse mancante, informare il proprio Rappresentante di vendita o il Servizio Assistenza Clienti della Bosch Security Systems.

La scatola di imballaggio è il contenitore più sicuro in cui l'unità può essere trasportata. Conservarla per un eventuale uso futuro.

2 ASSISTENZA

Nel caso in cui sia necessario riparare l'unità, il cliente deve contattare il centro di assistenza Bosch Security Systems più vicino per richiedere l'autorizzazione al reso e le istruzioni per la spedizione.

Centri Assistenza

U.S.A.: +1 800-366-2283 o 408-956-3895
Fax: +1 800-366-1329 o 408-956-3896
E-mail: NationalServiceCenter@ca.slr.com
Canada: 514-738-2434
Europa, Medio Oriente e Asia e Pacifico
+1 800-366-2283

Per ulteriori informazioni, visitare il sito:
www.boschsecuritysystems.com

3 INSTALLAZIONE



L'installazione deve essere eseguita da personale qualificato ed in conformità a tutte le norme locali vigenti.



Prima di collegare o scollegare il connettore elettrico dell'unità pan/tilt, staccare sempre l'alimentazione di corrente all'altezza dall'unità. L'unità deve essere montata in posizione non accessibile al personale non autorizzato [minimo 3m].



L'unità è studiata per l'installazione verticale, (diritta o capovolta). Per mantenere l'integrità della protezione contro gli agenti atmosferici, se montata all'esterno in posizione capovolta, l'unità deve essere installata in una custodia resistente agli agenti atmosferici (ad esempio, un alloggiamento a cupola) o in un punto riparato.

Le unità pan/tilt ed i relativi accessori devono essere collaudati prima di essere installati nel luogo previsto, per verificarne il corretto cablaggio ed il funzionamento dei componenti.

LTC 9418 e LTC 9420

Il carico massimo è pari a 10 kg o 149 kg-cm di coppia con il baricentro situato a 63,5 mm dal centro della tavola d'inclinazione.

LTC 9440 e LTC 9441

Il carico massimo è pari a 18 kg o 297 kg-cm di coppia con il baricentro situato a 79,2 mm dal centro della tavola d'inclinazione.

Per un miglior funzionamento dell'unità pan/tilt, il baricentro del gruppo telecamera/obiettivo/custodia deve essere centrato sulla superficie della tavola d'inclinazione, a uguale distanza dal lato anteriore e dal lato posteriore.

Vedere **APPLICAZIONI CONSIGLIATE**

3.1 Designazione modello

Serie LTC 9418	Capacità di carico: 10 Kg o 149 kg-cm di coppia Cablaggio: standard Potenza richiesta: 24 W
Serie LTC 9420	Capacità di carico: 10 Kg o 149 kg-cm di coppia Cablaggio: passante Potenza richiesta: 24 W
Serie LTC 9440	Capacità di carico: 18 kg o 297 kg-cm di coppia Cablaggio: standard Potenza richiesta: 20 W
Serie LTC 9441	Capacità di carico: 18 kg o 297 kg-cm di coppia Cablaggio: passante Potenza richiesta: 20 W

	Tensione motore	Range
Modelli /60*:	120 V CA, 60 Hz	108 - 132
Modelli /20*:	24 V CA, 60 Hz	21,6 - 26,4
* Modelli da 18 kg	24 V CA, 60 Hz	23 - 26,4
Modelli /10:	24 V CA, 50 Hz	21,6 - 26,4
Modelli /50:	220 V CA, 50 Hz	207 - 253

Angolo di panoramica: 0° - 345° sui modelli standard e 0° - 360° sui modelli con panoramica continua. Il preposizionamento è definito come -/x1, ad esempio per LTC 9441/61



Attenzione: massima tensione di alimentazione 30 V CA sui modelli 24 V CA. Il funzionamento oltre 30 V CA viola le norme di funzionamento a bassa tensione (Specifiche Classe 2). Il normale funzionamento è 24 V CA. Modelli a 24 V CA approvati cUL.



Attenzione: collegare esclusivamente ad un'alimentazione elettrica di Classe 2. La massima corrente totale attraverso il connettore elettrico 4 A, dell'unità pan/tilt è 1 A, per la telecamera e la custodia 3 A. Utilizzare esclusivamente telecamere e custodie 24 V CA sui modelli con cablaggio passante.

3.2 Attrezzatura di supporto consigliata

- LTC 9216/00 Supporto a muro di portata media studiato per sostenere fino a 45,3 kg.
- LTC 9222/00 Supporto a muro di portata elevata studiato per sostenere fino a 90,6 kg.
- LTC 9214/00 Supporto a colonna di 336 mm di portata elevata per soffitto o piedistallo.
- LTC 9224/00 Supporto a colonna di 610 mm di portata elevata per soffitto o piedistallo.

3.3 Montaggio a muro

Seguire le istruzioni fornite con i supporti. Il supporto e la superficie di supporto devono essere in grado di sostenere il peso dell'unità pan/tilt, della telecamera/obiettivo e della custodia (se usata). Il gruppo telecamera/obiettivo/custodia deve essere correttamente montato e bilanciato sulla staffa dell'unità pan/tilt.



Attenzione: le unità pan/tilt devono essere montate esclusivamente in posizione verticale (diritte o capovolte); mai in posizione orizzontale.

3.4 Montaggio telecamera/obiettivo/custodia

Montare la telecamera/obiettivo/custodia sulla staffa dell'unità pan/tilt nel modo seguente:

1. Bilanciare la telecamera/obiettivo/custodia e allinearla con i fori di fissaggio. Fissare con un minimo di due (2) fissaggi da ¼-20 x ½ pollice di lunghezza e rondelle elastiche di sicurezza.
2. Eseguire tutti i collegamenti elettrici. Assicurarsi che il tratto di cavi tra l'unità pan/tilt e la telecamera/custodia sia abbastanza lungo da consentire il movimento di inclinazione e di rotazione.

3.5 Collegamenti elettrici

1. Il cablaggio deve essere eseguito secondo lo schema di montaggio del **connettore** (Sezione 3.7) e la **lunghezza massima raccomandata per i cavi** (Tabella I).
2. Usare cavi schermati separati per l'alimentazione della telecamera, l'alimentazione della custodia ed il controllo dell'unità pan/tilt. Se necessario, è consentito riunire in un cavo comune il cablaggio di controllo dell'obiettivo ed il coassiale del video. E' sconsigliato l'utilizzo di un cavo multipolare comune per tutte le funzioni.

3. Usare conduttori codificati per colore in modo da facilitare il cablaggio e la futura identificazione.
4. Conservare lo schema elettrico per eventuale consultazione futura.

Modello Tensione	Sezione filo		Distanza ¹	
	mm ²	AWG	Piedi	Metri
24 V CA ²	0,5	20	140	43
	1	18	230	70
	1,5	16	360	110
	2,5	14	590	180
	4	12	940	287
110 V CA	0,5	20	2200	671
	1	18	3500	1067
	1,5	16	5500	1677
	2,5	14	9000	2744
220 V CA	0,5	20	13400	4085
	1	18	21200	6463
	1,5	16	33300	10152
	2,5	14	54400	16585

Tabella I Lunghezza massima cavi

Note per la Tabella I

1. Valori calcolati a 20 °C (68 °F) con filo di rame stagnato intrecciato, collegamento a terra comune (neutro) e con entrambi i motori, PAN e TILT (panoramica e inclinazione), simultaneamente in funzione.
2. Per i modelli a 24 V CA che operano a -30° C circa, i valori si basano sul mantenimento della tensione fornita, secondo la gamma specificata nella Sezione 3.1.

Per crimpare le prese terminali si consiglia l'uso dell'utensile manuale AMP n. 58495-1. Vedere **Figura 2** per la piedinatura del connettore. Il connettore può accettare un filo di sezione massima AWG 16. Per filo di sezione maggiore, si consiglia l'esecuzione di un giunto conforme alle norme per le installazioni elettriche locali.



Attenzione: per rimuovere un contatto dal connettore è necessario l'uso dell'estrattore AMP n. 305183.

3.6 Collegamento a terra

Una vita di collegamento a terra è situata sulla base alla destra del connettore. Vedere **Figura 8**. Collegare un filo di terra di 1 mm² (AWG 18) alla più vicina messa a terra.

3.7 Montaggio connettore

In dotazione con l'unità sono forniti connettore, prese e serracavo. Vedere **Figura 1**.

Per l'installazione scegliere il serracavo della misura giusta. Uno dei due serracavi è compreso di manicotto e della prolunga. L'area di serraggio è regolabile invertendo i morsetti del serracavo. Fissare i quattro serracavi sulla fascetta di trasporto compresa con la schermatura.

Inserire, fino in fondo nell'apposita fessura, il morsetto serracavo. Il morsetto deve poggiare sul fascio dei fili, **non** sul fondo della fessura. Se il diametro dei fili è troppo piccolo, avvolgere **provvisoriamente** il fascio con nastro isolante e procurarsi un morsetto di dimensioni idonee. Fissare il morsetto con le due viti (2) fornite.



Attenzione: accertarsi che il morsetto NON schiacci i fili.

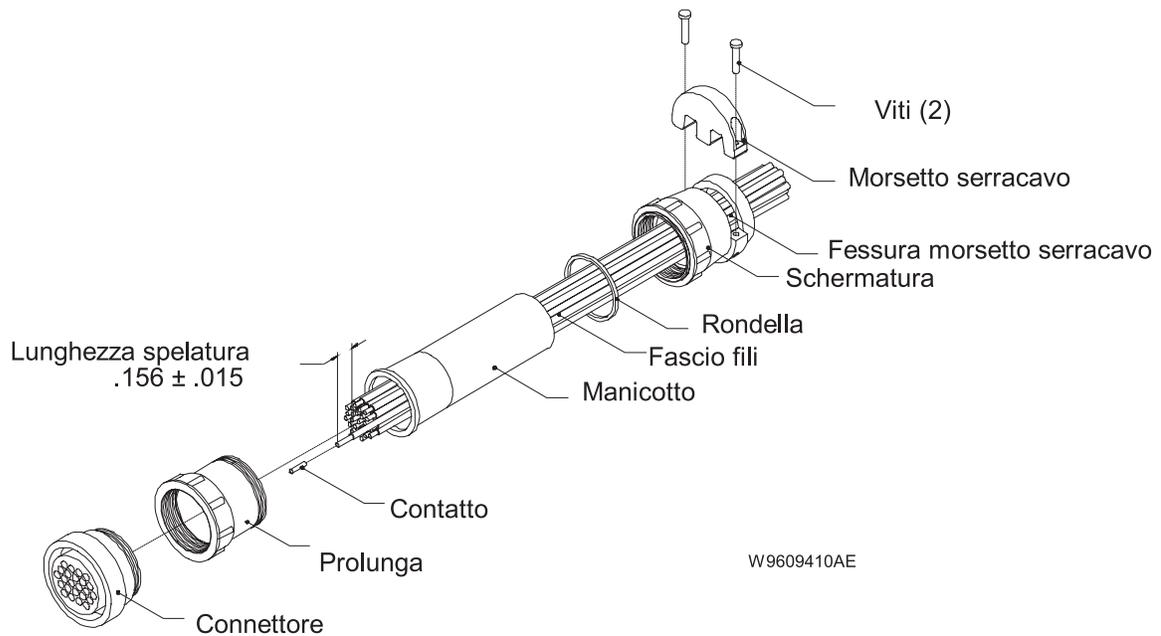


Figura 1: assemblaggio serracavo/connettore

PIEDINATURA DEL CONNETTORE

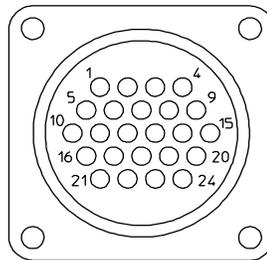


Figura 2: schema PIN

Modelli 345° senza preposizionamento^{5,6} Cablaggio passante

Numero pin	Colore
1: NC ¹	
2: NC ¹	
3: NC ¹	
4: NC ¹	
5: Obiettivo comune	Verde ²
6: Zoom	Blu ²
7: Fuoco	Violetto ²
8: Non usato	Marrone ²
9: Non usato	Nero ²
10. Accessorio	Bianco ^{2,3}
11. Accessorio	Rosso ^{2,3}
12. Accessorio	Giallo ^{2,3}
13: NC ¹	
14: NC ¹	
15: NC ¹	
16: Panoramica sinistra	Bianco
17: NC ¹	
18: Panoramica destra	Violetto
19: P/I comune	Blu
20: Inclinazione su	Marrone
21: Inclinazione giù	Bianco/Giallo
22: Terra	Verde/Giallo ²
23: Telecamera CA-Linea	Nero ^{2,4}
24: Telecamera CA-Neutro	Bianco ^{2,4}

Modelli 345° senza preposizionamento^{5,6} Cablaggio standard

Numero pin	Colore
1: NC ¹	
2: NC ¹	
3: NC ¹	
4: NC ¹	
5: NC ¹	
6: NC ¹	
7: NC ¹	
8: NC ¹	
9: NC ¹	
10. NC ¹	
11. NC ¹	
12. NC ¹	
13: NC ¹	
14: NC ¹	
15: NC ¹	
16: Panoramica sinistra	Bianco
17: NC ¹	
18: Panoramica destra	Violetto
19: P/I comune	Blu
20: Inclinazione su	Marrone
21: Inclinazione giù	Bianco/Giallo
22: Terra	Verde/Giallo ²
23: NC ¹	
24: NC ¹	

Modelli a 360° con e senza preposizionamento^{7,8}

Numero pin	Colore
1: Panoramica +5V	Arancione ⁸
2: Direzione panoramica (3)	Bianco/Nero/Giallo ⁸
3: Panoramica -5V	Bianco/Nero/Rosso ⁸
4: Direzione inclinazione	Bianco/Nero/Marrone ⁸
5: Obiettivo comune	Verde ²
6: Zoom	Blu ²
7: Fuoco	Violetto ²
8: NC ¹	
9: NC ¹	
10. Accessorio	Bianco ^{2,3}
11. Accessorio	Rosso ^{2,3}
12. Accessorio	Giallo ^{2,3}
13: NC ¹	
14: NC ¹	
15: Direzione panoramica (2)	Bianco/Arancione ⁸
16: Panoramica sinistra	Bianco
17: NC ¹	
18: Panoramica destra	Violetto
19: P/I comune	Blu
20: Inclinazione su	Marrone
21: Inclinazione giù	Bianco/Giallo
22: Terra	Verde/Giallo ²
23: Telecamera CA-Linea	Nero ^{2,4}
24: Telecamera CA-Neutro	Bianco ^{2,4}

**Modelli 345° con
preposizionamento^{5,6}**
Cablaggio passante

Numero pin	Colore
1: Alimentazione PP (+)	Arancio ²
2: Posizione panoramica	Giallo ²
3: Ritorno PP (-)	Grigio ²
4: Posizione inclinazione	Bianco/Nero ²
5: Obiettivo comune	Verde ²
6: Zoom	Blu ²
7: Fuoco	Violetto ²
8: Posizione zoom	Marrone ²
9: Posizione fuoco	Nero ²
10. Accessorio	Bianco ^{2,3}
11. Accessorio	Rosso ^{2,3}
12. Accessorio	Giallo ^{2,3}
13: NC ¹	
14: NC ¹	
15: NC ¹	
16: Panoramica sinistra	Bianco
17: NC ¹	
18: Panoramica destra	Violetto
19: P/I comune	Blu
20: Inclinazione su	Marrone
21: Inclinazione giù	Bianco/Giallo
22: Terra	Verde/Giallo ²
23: Telecamera CA-Linea	Nero ^{2,4}
24: Telecamera CA-Neutro	Bianco ^{2,4}

**Modelli 345° con
preposizionamento^{5,6}**
Cablaggio standard

Numero pin	Colore
1: Alimentazione PP (+)	Arancio ²
2: Posizione panoramica	Giallo ²
3: Ritorno PP (-)	Grigio ²
4: Posizione inclinazione	Bianco/Nero ²
5: NC ¹	
6: NC ¹	
7: NC ¹	
8: NC ¹	
9: NC ¹	
10. NC ¹	
11. NC ¹	
12. NC ¹	
13: NC ¹	
14: NC ¹	
15: NC ¹	
16: Panoramica sinistra	Bianco
17: NC ¹	
18: Panoramica destra	Violetto
19: P/I comune	Blu
20: Inclinazione su	Marrone
21: Inclinazione giù	Bianco/Giallo
22: Terra	Verde/Giallo ²
23: NC ¹	
24: NC ¹	

Note

1. NC – Nessun collegamento, non usare.
2. (Codici colore) indicanti cablaggio passante alla telecamera/custodia.
3. Applicare solo ai modelli a 24 volt. I pin dal 10 al 12 non sono usati nei modelli a 110 o 220 Volt.
4. I (Codici colore) mostrati sono per i modelli a 24 Volt e 110 volt. Per i modelli a 220, i codici colore sono (23) Marrone e (24) Blu.
5. I conduttori per i pin dal 16 al 24 (se usati) devono essere isolati dagli altri conduttori con requisiti di isolamento rinforzato a norma DIN VDE 0860/05.89, IEC 65. I conduttori per i pin dal 16 al 24 (se usati) devono essere di cordoncino HAR con sezione minima di 0,75 mm² (H05 VV-F).
6. Vedere **Figura 6** per lo schema di collegamento.
17. Vedere **Figura 7** per lo schema di collegamento.
18. Vedere **Figura 8** per lo schema di collegamento.

3.8 Finecorsa panoramica (Modelli 345°)

Identificare i tre (3) finecorsa sulla base dell'unità. Il finecorsa rosso è il "finecorsa fisso". Non è regolabile e **non** deve essere tolto. Gli altri due (2) sono detti "finecorsa di panoramica" e sono posizionati sui due lati della leva dell'interruttore di panoramica.

I due (2) finecorsa di panoramica sono regolabili e sono fissati ognuno per mezzo di una vite ad incasso. Le viti possono essere raggiunte attraverso un foro sull'estremità di ciascun finecorsa. Per allentare e serrare le viti di fissaggio usare una chiave maschio esagonale da 3/32 pollici (in dotazione). Vedere **Figura 3**.

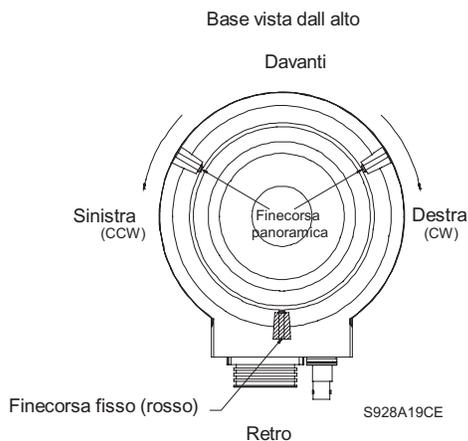


Figura 3: ubicazione finecorsa panoramica (Modelli a 345°)

4 FUNZIONAMENTO

4.1 Panoramica manuale (Modelli a 345°)

I finecorsa di panoramica fissano i limiti per la panoramica manuale. I due (2) finecorsa regolabili possono essere riposizionati o rimossi a seconda del funzionamento richiesto. La loro disposizione per il massimo campo di panoramica è illustrata in **Figura 4**.



Attenzione: non spostare o rimuovere mai il finecorsa fisso, deve rimanere nella posizione prevista per il corretto funzionamento della funzione di panoramica.

4.2 Panoramica automatica (Modelli a 345°)

L'uso della funzione panoramica automatica richiede il collegamento dei pin 16 (Panoramica sinistra), 18 (Panoramica destra) e 19 (Comune). Vedere **Figura 6**. La funzione panoramica automatica di ottiene per mezzo dell'unità di comando, la quale rileva i cambiamenti del flusso di corrente attraverso il motore. Quando si raggiunge uno dei finecorsa di panoramica, il flusso di corrente si interrompe ed i circuiti interni dell'unità di comando invertono la direzione della panoramica.

Nota: l'unità di comando dell'unità pan/tilt deve essere munita di speciali circuiti di rilevamento della corrente per poter attivare la funzione panoramica automatica in questa modalità. Il finecorsa di panoramica o il finecorsa fisso determina i limiti della panoramica automatica.

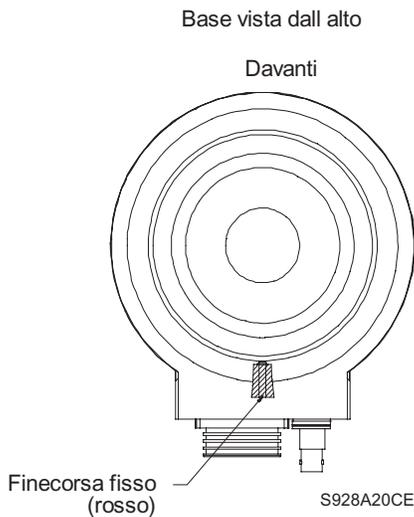


Figura 4: panoramica massima automatica/manuale (Modelli a 345°)

4.3 Regolazione finecorsa panoramica (Modelli a 345°)

1. Allentare i finecorsa di panoramica e regolare secondo il campo richiesto per la panoramica manuale e automatica. Una cavità nella testa fornisce lo spazio sufficiente per rimuovere i finecorsa dalla base.
2. Posizionare tutti i finecorsa e verificare il loro fissaggio.
3. Azionare l'apparecchiatura dall'unità di comando per verificare che i finecorsa siano posizionati correttamente. Regolarli nuovamente se necessario.

4.4 Funzionamento panoramica (Modelli a 360°)

Questi modelli consentono una rotazione (panoramica) di 360 gradi. Non possiedono finecorsa di panoramica e possono essere azionati manualmente verso destra o verso sinistra. Possono eseguire una panoramica continua in senso orario o antiorario per mezzo della funzione di panoramica automatica. L'uso della funzione panoramica automatica richiede il collegamento dei pin 16 (Panoramica sinistra), 18 (Panoramica destra) e 19 pin (Comune). Vedere **Figura 7**.

4.5 Regolazione finecorsa inclinazione (Tutti i modelli)

Dopo che l'unità è stata installata e tutti i collegamenti del cablaggio sono stati eseguiti, accendere l'unità di comando. Vedere **Figura 5** e regolare i finecorsa inclinazione nel modo seguente:

1. Smontare il tappo del mozzo sinistro (vista frontale), in modo da scoprire le viti di regolazione dei finecorsa di inclinazione.
2. Servendosi dell'unità di comando, inclinare la staffa verso l'alto fino alla posizione richiesta e fermare l'unità. Usare la chiave maschio esagonale da 3/32 pollici per allentare il finecorsa di inclinazione verso l'alto. Fare scorrere il finecorsa verso l'alto fino a udire un lieve scatto (che indica l'azionamento dell'interruttore). Serrare il finecorsa di inclinazione verso l'alto.

3. Servendosi dell'unità di comando, inclinare la staffa verso il basso fino alla posizione richiesta e fermare l'unità. Usare la chiave maschio esagonale da 3/32 pollici per allentare il finecorsa di inclinazione verso il basso. Fare scorrere il finecorsa verso il basso fino a udire un lieve scatto. Serrare il finecorsa di inclinazione verso il basso.
4. Azionare l'unità di comando per verificare che il funzionamento e il campo di inclinazione siano corretti. Ripetere la suddetta sequenza se necessario. Accertarsi che le viti di entrambi i finecorsa di inclinazione siano ben serrate. Rimontare il tappo del mozzo.



Attenzione: non azionare l'unità pan/tilt senza finecorsa. I finecorsa non devono essere regolati mentre l'unità è in funzione.

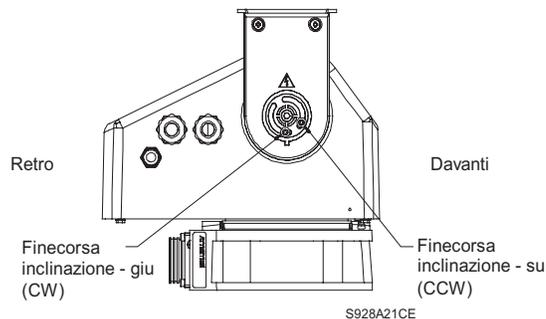


Figura 5: Finecorsa inclinazione (vista di lato - tappo smontato)

4.6 Modelli con preposizionamento

I modelli a 345° con capacità di preposizionamento richiedono il collegamento dei pin 1-4, 8 e 9 e l'utilizzo di un'unità di comando o di un ricevitore/circuito pilota con la funzione di preposizionamento. Le funzioni di panoramica, inclinazione ed i finecorsa sono uguali per tutti i modelli prima descritti.

5 SCHEMI ELETTRICI

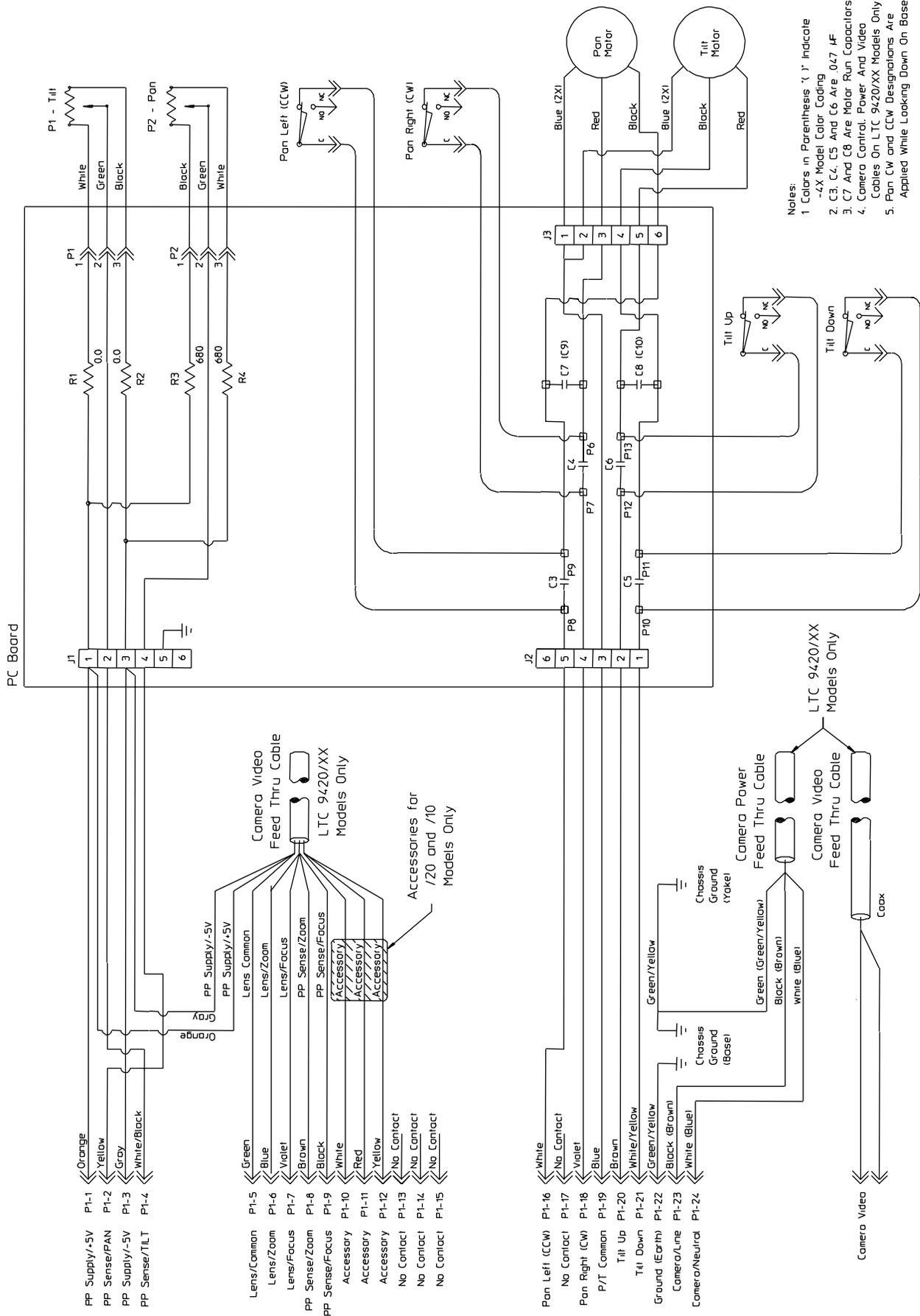


Figura 6: schema elettrico - Modelli 0° - 345°

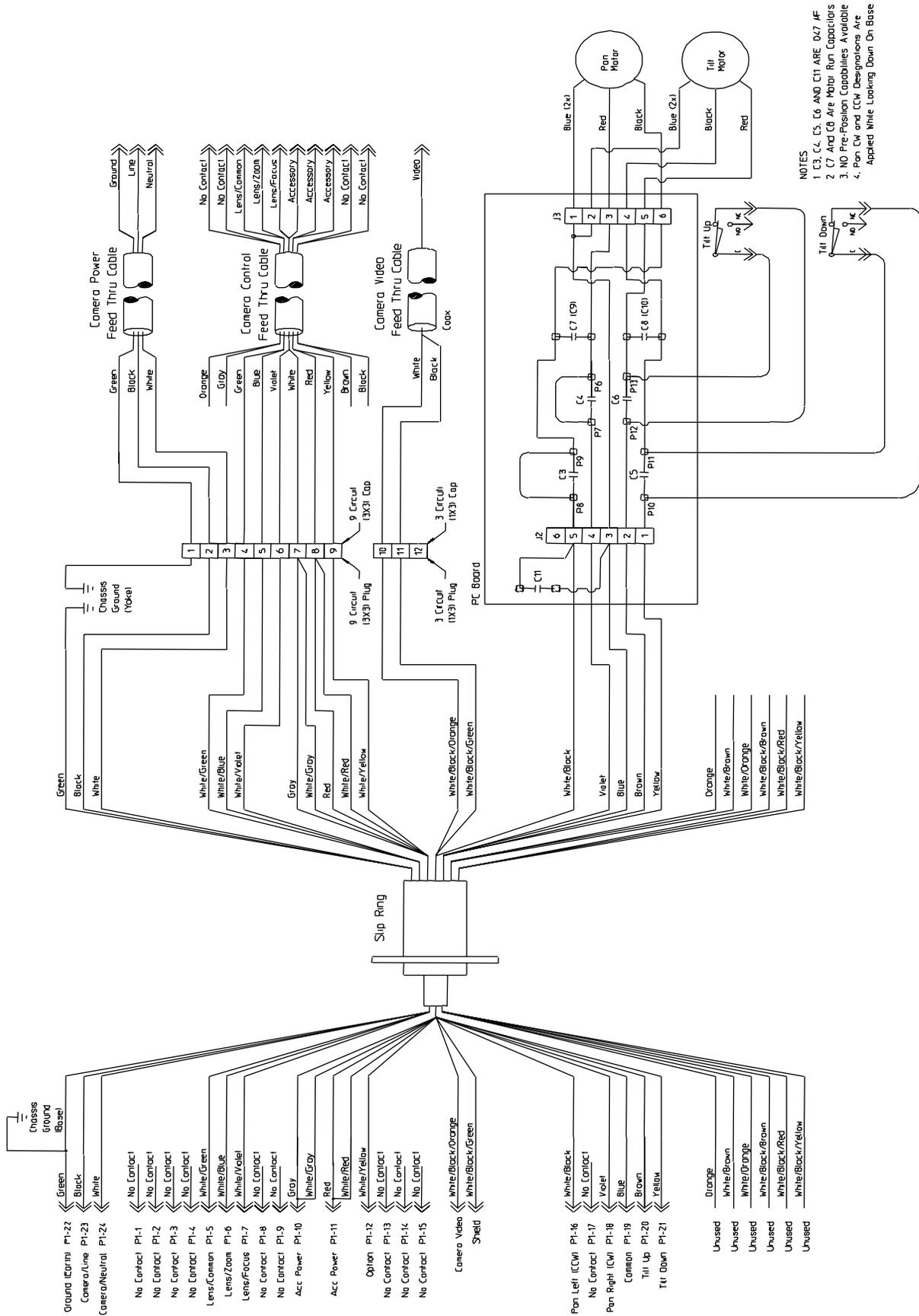
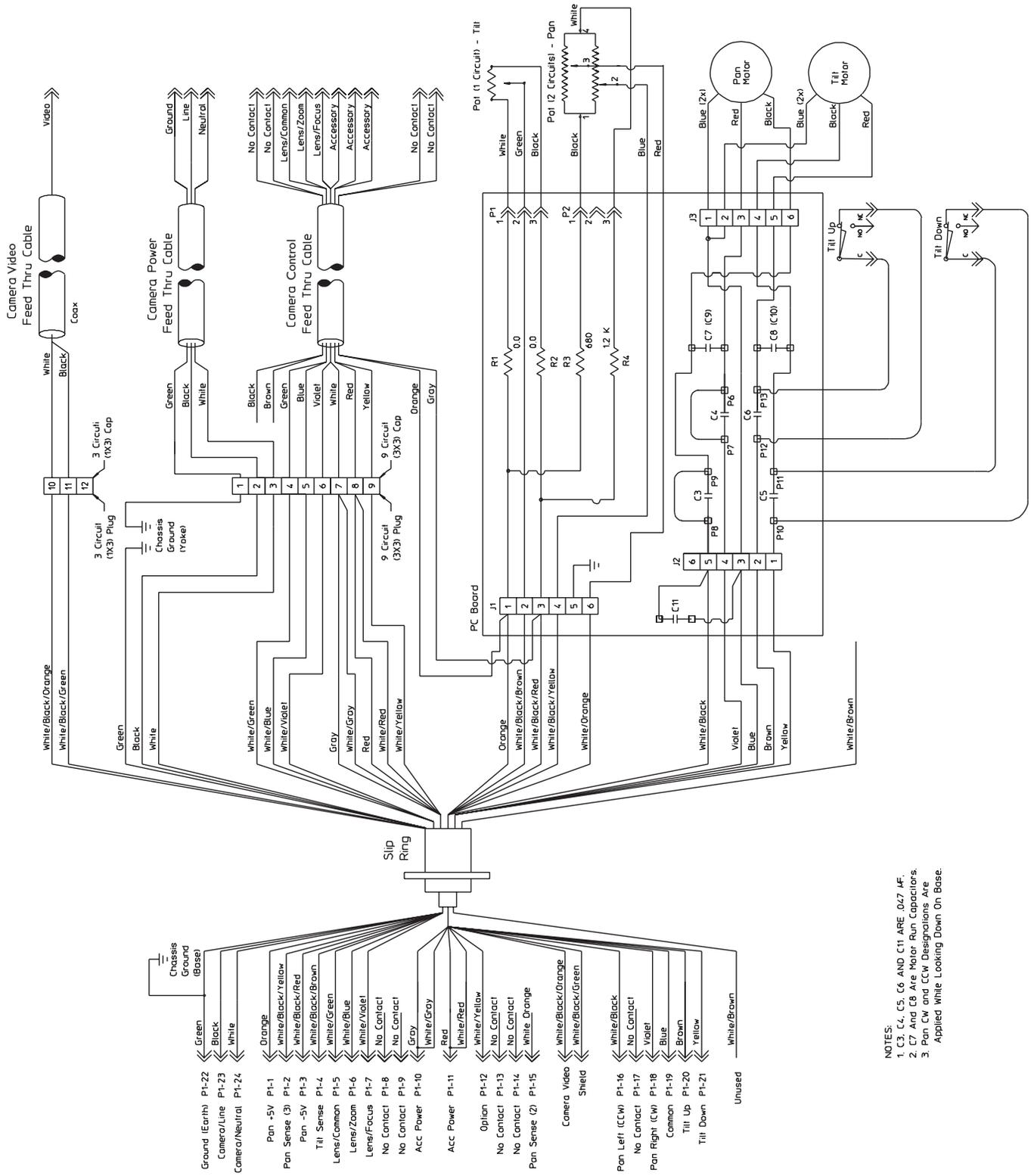


Figura 7: schema elettrico - Modelli 360°



NOTES:
 1. C3, C4, C5, C6 AND C11 ARE 0.27 MF.
 2. C7 AND C8 ARE Motor Run Capacitors.
 3. Pan, CW and CCW Designations Are Applied While Looking Down On Base.

Figura 8: schema elettrico - Modelli 360°

6 APPLICAZIONI CONSIGLIATE

Solo modelli 360°



Usare esclusivamente telecamere/custodie a 24 Volt con le unità pan/tilt a 360°.

Modelli a 24 volt con cablaggio passante



Per mantenere l'approvazione cUL e TUV, utilizzare solo telecamere/custodie a 24 V.



La potenza massima per le combinazioni con riscaldatore/ventilatore è di 75 watt per evitare il sovraccarico del collettore ad anello. Questo carico deve essere alimentato per mezzo dei pin 10 (passante bianco) e 11 (passante rosso). Vedere **Figura 2**.

12 DISEGNO E DIMENSIONI

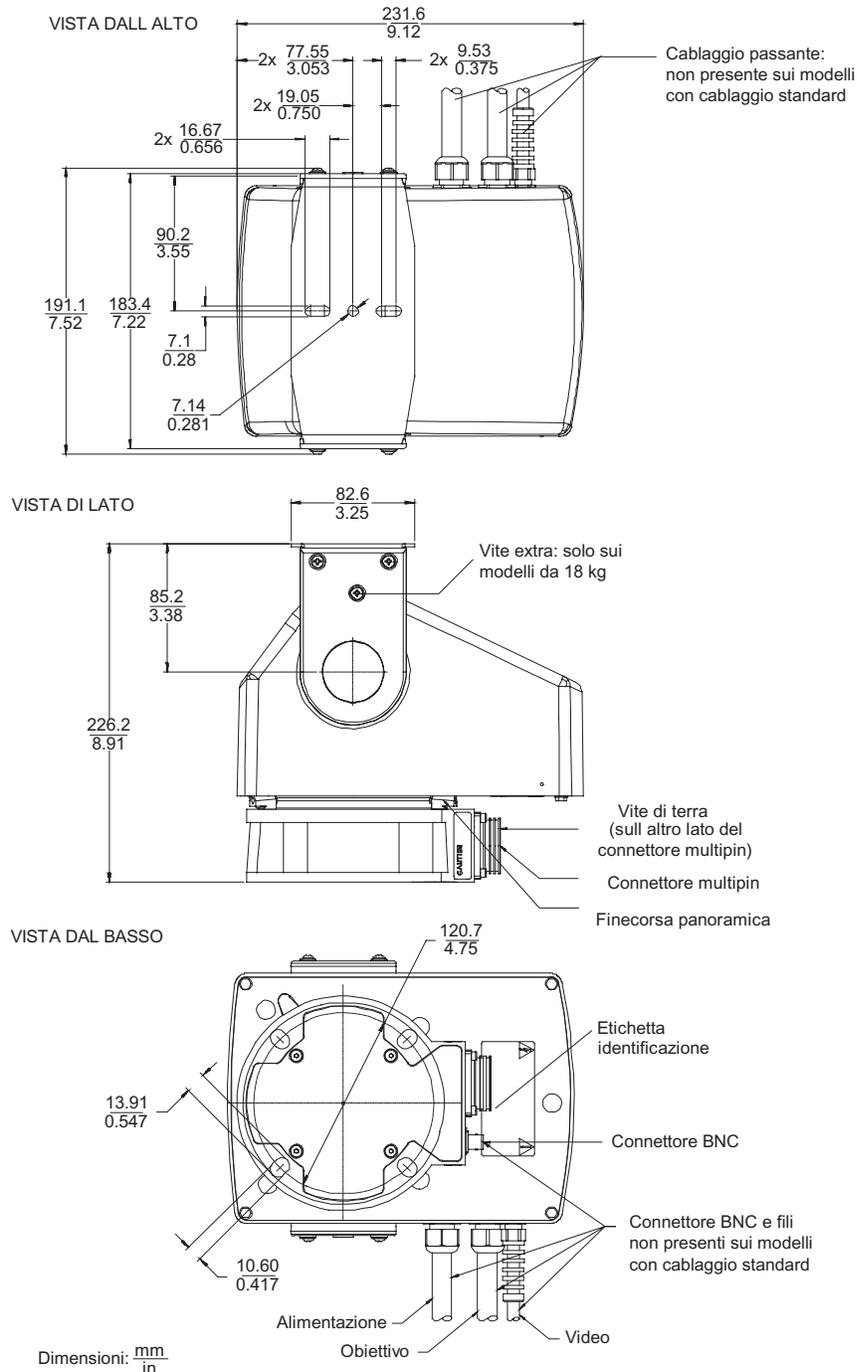


Figura 9

W9601402CE

MEDIDAS DE SEGURANÇA IMPORTANTES:

1. Leia, siga e retenha as instruções - Todas as instruções de segurança e funcionamento devem ser lidas e seguidas antes de trabalhar com a unidade. Guarde as instruções para referência futura.

2. Preste atenção aos avisos - Respeite todos os avisos constantes da unidade e das instruções de funcionamento.

3. Acessórios - Os acessórios que não sejam recomendados pelo fabricante do produto não devem ser utilizados, pois podem acarretar riscos.

4. Precauções de instalação - Não coloque esta unidade sobre bancadas, tripés, suportes ou instalações de montagem instáveis. A unidade pode cair, provocando ferimentos graves nas pessoas e danos sérios na unidade. Utilize apenas os acessórios recomendados pelo fabricante, ou os vendidos com o produto. Monte a unidade de acordo com as instruções do fabricante. O transporte da unidade em carrinhos de mão deve ser feito com cuidado. Paragens abruptas, força excessiva ou superfícies desiguais podem fazer com que o carrinho de mão que transporta a unidade capote.

5. Limpeza - Desligue a unidade da tomada antes de a limpar. Siga todas as instruções facultadas com a unidade. Geralmente, a utilização de um pano húmido para a limpeza é suficiente. Não utilize produtos de limpeza líquidos ou aerossóis.

6. Assistência - Não tente prestar assistência à unidade sozinho. A abertura ou remoção das tampas pode expô-lo a tensão perigosa ou a outros perigos. As operações de assistência devem ser efectuadas por técnicos qualificados.

7. Danos que necessitem de assistência - Desligue a unidade da tomada de alimentação CA e remeta a assistência para técnicos qualificados, segundo as condições que se seguem:

- Quando o fio ou a ficha de alimentação estiverem danificados.
- Se tiver derramado líquido, ou tiverem caído objectos para o interior da unidade.
- Se a unidade tiver sido exposta a água e/ou condições climáticas adversas (chuva, neve, etc.).
- Se a unidade não funcionar normalmente, mesmo seguindo as instruções de funcionamento. Ajuste apenas os controlos especificados nas instruções de funcionamento. O ajuste indevido de outros controlos pode resultar em danos, exigindo trabalhos prolongados de reparação por um técnico qualificado para repor o normal funcionamento da unidade.
- Se a unidade tiver caído ou a caixa tiver sido danificada.
- Se a unidade apresentar uma clara mudança de desempenho, o que indica a necessidade de assistência.

8. Peças de substituição - Quando forem necessárias peças de substituição, o técnico da assistência deve utilizar peças de substituição especificadas pelo fabricante ou com as mesmas características da peça original. Substituições não autorizadas podem resultar em incêndio, choque eléctrico ou outros perigos.

9. Verificação de segurança - Após a conclusão da assistência ou das reparações na unidade, peça ao técnico da

assistência que realize as verificações de segurança para garantir o bom estado de funcionamento.

10. Fontes de alimentação - A unidade deve funcionar apenas com o tipo de fonte de alimentação indicado na etiqueta. Se não tiver a certeza do tipo de alimentação a utilizar, contacte o revendedor ou a companhia de electricidade local.

- No caso das unidades cujo funcionamento se baseia em pilhas ou baterias, consulte as instruções de funcionamento.
- No caso das unidades cujo funcionamento se baseia em **Fontes de Alimentação Externas**, utilize apenas as fontes de alimentação aprovadas e recomendadas.
- No caso das unidades cujo funcionamento se baseia numa **fonte de alimentação limitada**, esta fonte de alimentação deve ser conforme a EN60950. As substituições podem danificar a unidade, ou provocar incêndio ou choque.
- No caso das unidades cujo funcionamento se baseia em **CA 24 V**, a tensão de entrada normal é de CA 24 V. A tensão aplicada à alimentação de entrada da unidade não deve exceder a CA 30 V. Os cabos fornecidos pelo utilizador, entre a fonte CA 24 V e a unidade, têm de ser conformes aos códigos eléctricos (níveis de corrente Classe 2). Não faça ligação à terra da fonte CA 24 V nos terminais ou nos terminais da fonte de alimentação da unidade.

11. Ligação à terra coaxial - Se um sistema de cabos externo estiver ligado à unidade, certifique-se de que o sistema de cabos está ligado à terra. Apenas nos modelos dos E.U.A.--A Secção 810 do National Electrical Code (Código eléctrico nacional), ANSI/NFPA No.70, proporciona informações relativas ao correcto estabelecimento de uma ligação à terra da instalação e da estrutura de suporte, ligação do cabo coaxial a uma unidade de descarga, tamanho dos condutores da ligação à terra, localização da unidade de descarga, ligação a eléctrodos de ligação à terra, e requisitos do eléctrodo de ligação à terra.

12. Ligação à terra ou polarização - Esta unidade pode estar equipada com uma ficha de linha de corrente alternante (uma ficha com uma lâmina mais larga que a outra). Esta funcionalidade de segurança permite que a ficha entre na tomada de corrente apenas de uma forma. Se não conseguir introduzir a ficha completamente na tomada, tente inverter a ficha. Se, mesmo assim, a ficha não entrar, contacte um electricista para marcar a substituição da tomada obsoleta. Não destrua a funcionalidade de protecção da ficha polarizada.

Como alternativa, esta unidade pode estar equipada com uma ficha de ligação à terra de 3 fios (uma ficha com um terceiro pino, para ligação à terra). Esta funcionalidade de segurança permite que a ficha entre apenas numa tomada de alimentação com ligação à terra. Se não conseguir introduzir a ficha na tomada, contacte um electricista para marcar a substituição da tomada obsoleta. Não destrua a funcionalidade de protecção da ficha com ligação à terra.

13. Relâmpagos - Para maior protecção durante uma tempestade com relâmpagos, ou quando a unidade fica abandonada e sem ser utilizada durante longos períodos de tempo, desligue a unidade da tomada de parede e desligue o sistema de cabos. Assim, evitará danos na unidade devido a relâmpagos e picos de corrente eléctrica.

PRECAUÇÕES DE SEGURANÇA

PARA PRODUTOS DE INTERIOR

- 1. Água e humidade** - Não utilize esta unidade próximo de água - por exemplo, numa cave molhada, numa instalação exterior desprotegida, ou numa área classificada como local molhado.
- 2. Entrada de objectos e líquidos** - Nunca empurre objectos de qualquer tipo para o interior desta unidade através das aberturas, pois podem tocar em pontos de tensão perigosa ou provocar curtos-circuitos em peças, resultando em incêndio ou choque eléctrico. Nunca derrame líquidos de qualquer tipo sobre a unidade.
- 3. Fio de alimentação e protecção do fio de alimentação** - No caso das unidades cujo funcionamento se baseia em **CA 230 V, 50Hz**, o fio de entrada e de saída de corrente tem de ser compatível com as mais recentes versões da IEC Publicação 227 ou IEC Publicação 245. Os fios de alimentação de corrente devem ser encaminhados, de forma a não serem pisados ou ficarem presos. Preste particular atenção à localização de fios e fichas, receptáculos de conveniência, e o ponto de saída do aparelho.
- 4. Sobrecargas** - Não sobrecarregue as tomadas ou extensões, pois pode acarretar risco de incêndio ou choque eléctrico.

PARA PRODUTOS DE EXTERIOR

- 1. Linhas eléctricas** - Não deve existir qualquer sistema exterior próximo de linhas eléctricas aéreas, iluminação ou circuitos eléctricos, ou onde possa entrar em contacto com essas linhas ou circuitos. Ao instalar um sistema exterior, deve ter extremo cuidado para não tocar em linhas ou circuitos eléctricos, pois este contacto pode ser fatal. Apenas nos modelos dos E.U.A. - consulte o National Electrical Code (Código eléctrico nacional) Artigo 820 relativo à instalação de sistemas CATV.

PARA PRODUTOS DE MONTAGEM EM PRATELEIRA

- 1. Ventilação** - Esta unidade não deve ser colocada em instalações ou prateleiras embutidas, excepto no caso de existir a ventilação adequada, ou no caso de as instruções do fabricante terem sido seguidas. O equipamento não pode exceder os requisitos máximos da temperatura de funcionamento.
- 2. Carregamento mecânico** - A montagem do equipamento numa prateleira deve ser feita de modo a evitar os perigos derivados de um carregamento mecânico incerto.



CUIDADO

RISCO DE CHOQUE ELÉCTRICO.
NÃO ABRIR!



Cuidado: para reduzir o risco de choque eléctrico, não retire a tampa (ou a parte de trás). No interior, não existem peças que possam ser reparadas pelo utilizador. Remeta a assistência para os técnicos qualificados.



Este símbolo indica a presença de "tensão perigosa" não isolada dentro da estrutura do produto, o que pode constituir risco de choque eléctrico.



O utilizador deve consultar as instruções de funcionamento e manutenção (assistência) nos documentos que acompanham o aparelho.



Atenção: a instalação deve ser executada apenas por técnicos qualificados da assistência, de acordo com o código eléctrico nacional ou os códigos locais aplicáveis.



Corte de corrente. As unidades com ou sem interruptores ON-OFF (ligar/desligar) recebem corrente sempre que o fio de alimentação está introduzido na fonte de alimentação; contudo, a unidade apenas está operacional quando o interruptor ON-OFF está na posição ON. O fio de alimentação destina-se a desligar a corrente em todas as unidades.

ÍNDICE

1 DESEMBALAR	75
2 ASSISTÊNCIA	75
3 INSTALAÇÃO	75
3.1 Designação do Modelo	75
3.2 Equipamento de Montagem Recomendado	76
3.3 Montagem na Parede.....	76
3.4 Montagem da Câmara/Lente/Estrutura	76
3.5 Ligações Eléctricas	76
3.6 Ligação à Terra	76
3.7 Montagem dos Conectores	76
3.8 Paragem da Rotação Horizontal (Modelos de 345°).....	78
4 FUNCIONAMENTO	78
4.1 Funcionamento Manual da Rotação Horizontal (Modelos de 345°).....	78
4.2 Funcionamento Automático da Rotação Horizontal (Modelos de 345°).....	78
4.3 Ajuste da Paragem da Rotação Horizontal (Modelos de 345°).....	79
4.4 Funcionamento da Rotação Horizontal (Modelos de 360°).....	79
4.3 Ajuste da Paragem da Rotação Vertical (Todos os Modelos).....	79
4.6 Modelos com Pré-posição.....	79
5 DIAGRAMAS DAS LIGAÇÕES DE FIOS	80
6 APLICAÇÕES RECOMENDADAS	83
7 ESQUEMA DAS DIMENSÕES	83

I DESEMBALAR

Este equipamento electromecânico deve ser desembalado cuidadosamente e manuseado com cuidado.

Verifique os itens seguintes:

- Número de modelo da unidade.
- Chave de Allen de 3/32 polegadas.
- Kit de Conexão 315 1232 001

Se lhe parecer que um dos elementos foi danificado no envio, volte a guardá-lo na embalagem original e notifique o expedidor. Se algum dos itens estiver em falta, notifique a Bosch Security Systems.

O cartão de envio é a embalagem mais segura na qual a unidade pode ser transportada. Guarde-a para eventual utilização futura.

2 ASSISTÊNCIA

Se a unidade precisar de ser reparada, o cliente deve contactar o Centro de Assistência da Bosch Security Systems, Inc. mais próximo para obter a autorização de devolução e as instruções de envio.

Centros de Assistência

E.U.A.: 800-366-2283 ou 408-956-3895

Fax: 800-366-1329 ou 408-956-3896

E-mail: NationalServiceCenter@ca.slr.com

Canadá: 514-738-2434

Europa, Médio Oriente e Regiões da Ásia-Pacífico:
800-366-2283

Para mais informações, visite www.boschsecuritysystems.com

3 INSTALAÇÃO



Esta instalação deve ser feita por um técnico qualificado da assistência e estar conforme a todos os códigos locais.



Desligue sempre a corrente da unidade no controlador antes de ligar ou desligar o conector eléctrico do sistema de rotação horizontal/vertical. O sistema de rotação horizontal/vertical deve ser montado afastado de áreas de acesso não autorizado [mínimo de 3 metros de altura]



Estas unidades foram concebidas para instalações verticais ou invertidas. Para manter a integridade da resistência às intempéries em montagens no exterior numa posição invertida, a unidade tem de ser instalada numa estrutura resistente às intempéries (p. ex., estrutura em dome resistente às intempéries) ou numa área exterior protegida.

Os sistemas de rotação horizontal/vertical e o equipamento associado devem ser testados antes da instalação em campo para verificação das ligações de fios e do funcionamento dos componentes.

LTC 9418 e LTC 9420

A carga máxima é de 10 kg ou um binário de 149 kg-cm a uma distância de 63,5 mm do centro da massa da câmara/lente/estrutura ao centro da mesa do sistema de rotação horizontal.

LTC 9440 e LTC 9441

A carga máxima é de 18 kg ou um binário de 297 kg-cm com o centro da massa localizado a 79,2 mm do centro da mesa do sistema de rotação horizontal.

O peso combinado da estrutura/câmara/lente deve estar centrado de forma igual, de frente para trás, na superfície da mesa do sistema de rotação horizontal para um melhor funcionamento do sistema de rotação horizontal/vertical.

Consulte **APLICAÇÕES RECOMENDADAS**.

3.1 Designação do Modelo

Série LTC 9418	Classificação da Carga: Carga de 10 Kg, binário de 149 kg-cm Fios: Standard	Alimentação Necessária: 24 W
Série LTC 9420	Classificação da Carga: Carga de 10 Kg, binário de 149 kg-cm Fios: Directo	Alimentação Necessária: 24 W
Série LTC 9440	Classificação da Carga: Carga de 18 kg, binário de 297 kg-cm Fios: Standard	Alimentação Necessária: 20 W
Série LTC 9441	Classificação da Carga: Carga de 18 kg, binário de 297 kg-cm Fios: Directo	Alimentação Necessária: 20 W

	Tensão do Motor Atribuída	Gama de Variação de Tensão
/modelos 60*:	CA 120 V, 60 Hz	108 a 132
/modelos 20*:	CA 24 V, 60 Hz	21,6 a 26,4
* Modelos 40 lb	CA 24 V, 60 Hz	23 a 26,4
/modelos 10*:	CA 24 V, 50 Hz	21,6 a 26,4
/modelos 50:	CA 220 V, 50 Hz	207 a 253

Rotação horizontal: 0° a 345° nos modelos standard, 0° a 360° nos modelos com Rotação Horizontal Contínua. A pré-posição é designada como -/x1, p. ex., LTC 9441/61



Cuidado: Não exceder a entrada de CA 30 V nos modelos CA 24 V. O funcionamento acima de CA 30 V viola o funcionamento a baixa tensão (Especificações Classe 2). O funcionamento normal é CA 24 V. Modelos CA 24 V Aprovados pela CUL.



Cuidado: Ligar apenas a Alimentação de Corrente Classe 2. A corrente total a passar através do conector eléctrico é de 4 A no máximo. A corrente da rotação horizontal/vertical é de 1 A no máximo. A corrente autorizada da câmara/estrutura é de 3 A no máximo. Utilize apenas câmaras e estruturas de CA 24 V nos modelos directos.

3.2 Equipamento de Montagem Recomendado

LTC 9216/00	Sistema de montagem na parede de carga média designada para suportar até 45,3 kg.
LTC 9222/00	Sistema de montagem na parede de carga pesada designada para suportar até 90,6 kg.
LTC 9214/00	Sistema de montagem em coluna de 336 mm de carga pesada para tectos ou pedestais.
LTC 9224/00	Sistema de montagem em coluna de 610 mm de carga pesada para utilização em tectos ou pedestais.

3.3 Montagem na Parede

Siga as instruções facultadas com as montagens. O sistema de montagem, assim como a superfície de montagem, têm de poder suportar o peso do sistema de rotação horizontal/vertical, câmara/lente e estrutura (quando utilizada). A câmara/lente/estrutura tem de estar devidamente montada e equilibrada no suporte do sistema de rotação horizontal/vertical.



Cuidado: Os sistemas de rotação horizontal/vertical apenas podem ser montados verticalmente ou invertidos; nunca horizontalmente.

3.4 Montagem da Câmara/Lente/Estrutura

Monte a câmara/lente/estrutura no suporte do sistema de rotação horizontal/vertical da seguinte forma:

1. Equilibre a câmara/lente/estrutura e ajuste a unidade de forma a ficar alinhada com os orifícios de montagem. Aperte, no mínimo, com dois (2) fixadores e anilhas de travamento de 1/4-20 x 1/2 polegadas.
2. Estabeleça todas as ligações eléctricas. Deixe voltas de cabo suficientes entre a câmara/estrutura e o sistema de rotação horizontal/vertical para permitir a rotação vertical e horizontal.

3.5 Ligações Eléctricas

1. O cabo deve ser ligado de acordo com **Montagem dos Conectores** (Secção 3.7) e **Comprimentos Máximos dos Cabos Recomendados** (Tabela 1).
2. Utilize cabos blindados separados para a alimentação da câmara, a alimentação da estrutura e o controlo da rotação horizontal/vertical. Quando necessário, é aceitável combinar os fios de controlo da lente e o cabo coaxial de vídeo num cabo comum. A utilização de um cabo multicondutor comum para combinar todas as funções não é recomendada.

3. Utilize condutores com códigos de cores para ajudar nas ligações de fios e em futura identificação.
4. Guarde o diagrama das ligações de fios para consulta futura.

Modelo Tensão	Tamanho do Fio		Distância ¹	
	Mm ²	AWG	Pés	Metros
CA 24 V ²	0,5	20	140	43
	1	18	230	70
	1,5	16	360	110
	2,5	14	590	180
	4	12	940	287
CA 110 V	0,5	20	2200	671
	1	18	3500	1067
	1,5	16	5500	1677
	2,5	14	9000	2744
CA 220 V	0,5	20	13400	4085
	1	18	21200	6463
	1,5	16	33300	10152
	2,5	14	54400	16585

Tabela 1 Comprimentos Máximos dos Cabos

Notas para a Tabela 1

13. Valores calculados a 20 °C utilizando fio de cobre estanhado entrançado, um fio normal com ligação à terra (neutro) e com ambos os motores de rotação horizontal e vertical a funcionarem simultaneamente.
14. Para os Modelos CA 24 V que funcionem a -30° C, ou próximo dessa temperatura, os valores baseiam-se na manutenção da tensão fornecida dentro da gama de tensão, tal como está especificado na Secção 3.1.

A Ferramenta de Compressão Manual AMP #58495-1 é recomendada para comprimir tomadas. Consulte a **Figura 2** para obter as posições numeradas dos conectores. O conector aceita até um fio AWG #16. Se for necessário um fio de norma superior, recomenda-se o estabelecimento de uma ponte de acordo com os códigos eléctricos locais.



Cuidado: A remoção de contactos do conector requer a utilização da ferramenta de extracção AMP #305183.

3.6 Ligação à Terra

Um parafuso de ligação à terra está localizado na base à direita do conector. Consulte a **Figura 8**. Ligue um fio com ligação à terra de 1 mm² (AWG N.º18) à ligação à terra mais próxima.

3.7 Montagem dos Conectores

Um conector acoplado, tomadas e um grampo de cabo estão incluídos na unidade. Consulte a **Figura 1**.

Para instalar, seleccione o grampo de cabo do tamanho apropriado. Escolha um dos dois grampos de cabo incluídos com a camisa e a extensão. A área de fixação é ajustável, invertendo ou alterando os grampos de cabo. Desfaça-se dos quatro grampos de cabo da faixa de transporte embalados com a protecção.

Introduza o grampo de cabo até ao fundo. O grampo deve chegar ao fundo no feixe de cabos e **não** no ombro da protecção. Se o diâmetro do fio for demasiado pequeno, enrole **temporariamente** o fio com fita eléctrica até obter a fixação pretendida. Fixe o grampo com os dois (2) parafusos incluídos.



Cuidado: Certifique-se de que o feixe de cabos está devidamente fixado. NÃO corte os fios.

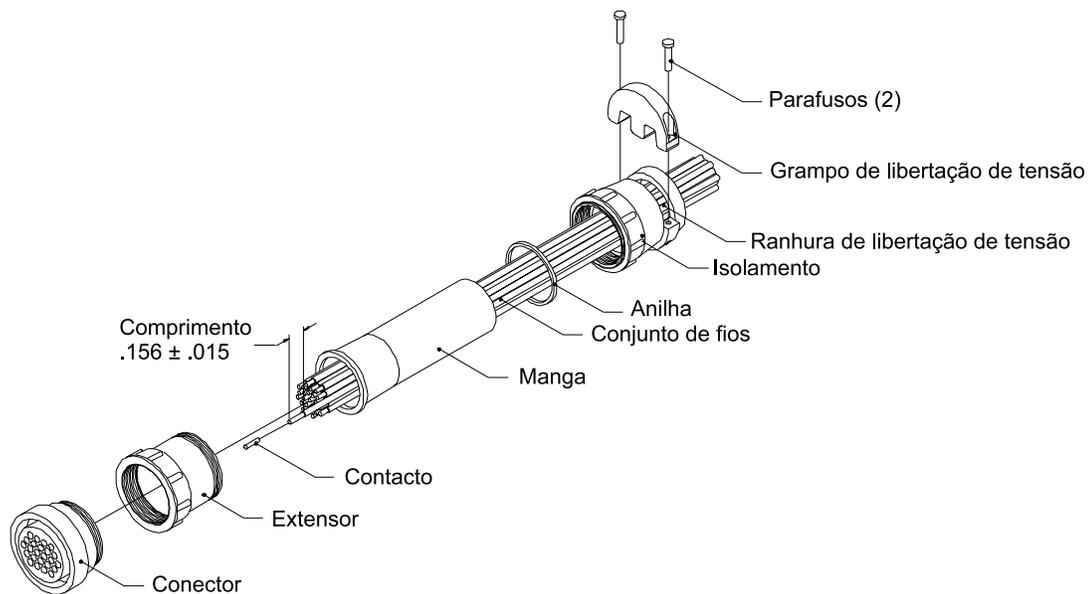


Figura 1: Montagem da Protecção/Grampo de Cabo

DESIGNAÇÃO DOS FIOS E LIGAÇÕES DE PINOS

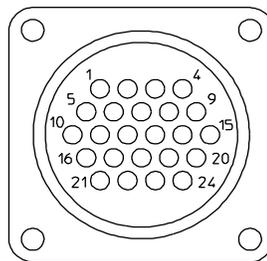


Figura 2: Saída de Pinos

Modelos 345° Sem Pré-posição^{5,6} Fios Directos

Número do Pino	Cor
1: SL ¹	
2: SL ¹	
3: SL ¹	
4: SL ¹	
5: Lente Comum	Verde ²
6: Zoom	Azul ²
7: Foco	Violeta ²
8: Não utilizado	Castanho ²
9: Não utilizado	Preto ²
10. Acessório	Branco ^{2,3}
11. Acessório	Vermelho ^{2,3}
12. Acessório	Amarelo ^{2,3}
13: SL ¹	
14: SL ¹	
15: SL ¹	
16: Rotação Horizontal Esquerda	Branco
17: SL ¹	
18: Rotação Horizontal Direita	Violeta
19: H/V Comum	Azul
20: Rotação Vertical Cima	Castanho
21: Rotação Vertical Baixo	Branco/Amarelo
22: Ligação à Terra	Verde/Amarelo ²
23: Câmara Linha CA	Preto ^{2,4}
24: Câmara Neutro CA	Branco ^{2,4}

Modelos 345° Sem Pré-posição^{5,6} Fios Standard

Número do Pino	Cor
1: SL ¹	
2: SL ¹	
3: SL ¹	
4: SL ¹	
5: SL ¹	
6: SL ¹	
7: SL ¹	
8: SL ¹	
9: SL ¹	
10. SL ¹	
11. SL ¹	
12. SL ¹	
13: SL ¹	
14: SL ¹	
15: SL ¹	
16: Rotação Horizontal Esquerda	Branco
17: SL ¹	
18: Rotação Horizontal Direita	Violeta
19: H/V Comum	Azul
20: Rotação Vertical Cima	Castanho
21: Rotação Vertical Baixo	Branco/Amarelo
22: Ligação à Terra	Verde/Amarelo ²
23: SL ¹	
24: SL ¹	

Modelos 360° Com Pré-posição e Sem Pré-posição^{7,8}

Número do Pino	Cor
1: Rotação Horizontal +5 V	Cor-de-laranja ⁸
2: Direcção Rotação Horizontal (3)	Br/Pr/Am ⁸
3: Rotação Horizontal-5 V	Br/Pr/Ver ⁸
4: Direcção Rotação Vertical	Br/Pr/Cast ⁸
5: Lente Comum	Verde ²
6: Zoom	Azul ²
7: Foco	Violeta ²
8: SL ¹	
9: SL ¹	
10. Acessório	Branco ^{2,3}
11. Acessório	Vermelho ^{2,3}
12. Acessório	Amarelo ^{2,3}
13: SL ¹	
14: SL ¹	
15: Direcção Rotação Horizontal (2)	Branco/Cor-de-laranja ⁸
16: Rotação Horizontal Esquerda	Branco
17: SL ¹	
18: Rotação Horizontal Direita	Violeta
19: H/V Comum	Azul
20: Rotação Vertical Cima	Castanho
21: Rotação Vertical Baixo	Branco/Amarelo
22: Ligação à Terra	Verde/Amarelo ²
23: Câmara Linha CA	Preto ^{2,4}
24: Câmara Neutro CA	Branco ^{2,4}

Modelos 345° Com Pré-posição^{5,6} Fios Directos

Número do Pino	Cor
1: Alimentação PRH (+)	Cor-de-laranja ²
2: Posição Rotação Horizontal	Amarelo ²
3: Retorno PRH (-)	Cinzentos ²
4: Posição Rotação Vertical	Branco/Preto ²
5: Lente Comum	Verde ²
6: Zoom	Azul ²
7: Foco	Violeta ²
8: Posição do zoom	Castanho ²
9: Posição do foco	Preto ²
10. Acessório	Branco ^{2,3}
11. Acessório	Vermelho ^{2,3}
12. Acessório	Amarelo ^{2,3}
13: SL ¹	
14: SL ¹	
15: SL ¹	
16: Rotação Horizontal Esquerda	Branco
17: SL ¹	
18: Rotação Horizontal Direita	Violeta
19: H/V Comum	Azul
20: Rotação Vertical Cima	Castanho
21: Rotação Vertical Baixo	Branco/Amarelo
22: Ligação à Terra	Verde/Amarelo ²
23: Câmara Linha CA	Preto ^{2,4}
24: Câmara Neutro CA	Branco ^{2,4}

Modelos 345° Com Pré-posição^{5,6} Fios Standard

Número do Pino	Cor
1: Alimentação PRH (+)	Cor-de-laranja ²
2: Posição Rotação Horizontal	Amarelo ²
3: Retorno PRH (-)	Cinzentos ²
4: Posição Rotação Vertical	Branco/Preto ²
5: SL ¹	
6: SL ¹	
7: SL ¹	
8: SL ¹	
9: SL ¹	
10. SL ¹	
11. SL ¹	
12. SL ¹	
13: SL ¹	
14: SL ¹	
15: SL ¹	
16: Rotação Horizontal Esquerda	Branco
17: SL ¹	
18: Rotação Horizontal Direita	Violeta
19: H/V Comum	Azul
20: Rotação Vertical Cima	Castanho
21: Rotação Vertical Baixo	Branco/Amarelo
22: Ligação à Terra	Verde/Amarelo ²
23: SL ¹	
24: SL ¹	

Notas

1. SL -- Sem Ligação, não utilizar.
2. (Códigos de Cores) indicam fios directos para a câmara/estrutura.
3. Aplica-se apenas a modelos de 24 volts. Os pinos 10 a 12 não são utilizados nos modelos de 110 volts ou 220 volts.
4. (Códigos de Cores) apresentados são para os modelos de 24 volts e 110 volts. No caso dos modelos de 220 volts, os códigos de cores são (23) Castanho e (24) Azul.
5. Os condutores dos pinos 16 a 24 (quando aplicável), nos modelos de 220 volts, devem estar isolados de outros fios com requisitos de isolamento reforçados de DIN VDE 0860/05.89, IEC 65. Os condutores dos pinos 16 a 24 (quando aplicável) têm de estar na área transversal mínima 0,75 mm² (H05 VV-F) do fio HAR.
6. Consulte a **Figura 6** em Diagramas das Ligações de Fios para obter os esquemas de ligação dos fios.
19. Consulte a **Figura 7** em Diagramas das Ligações de Fios para obter os esquemas de ligação dos fios.
20. Apenas nos modelos com pré-posição. Consulte a **Figura 8** para obter os esquemas de ligação dos fios.

3.8 Paragem da Rotação Horizontal (Modelos de 345°)

Localize as três paragens limite na base da unidade. A paragem limite vermelha é a Paragem Fixa. Não é ajustável e **não** deve ser removida. As outras duas (2) paragens são chamadas de Paragens da Rotação Horizontal. Estão posicionadas em cada lado da alavanca de comutação da rotação horizontal.

As duas (2) paragens horizontais são ajustáveis e estão fixas com um conjunto de parafusos. É possível aceder aos parafusos através do orifício situado no final de cada paragem. Utilize uma chave de Allen de 3/32 polegadas (incluída) para desapertar e apertar o conjunto de parafusos. Consulte a **Figura 3**.

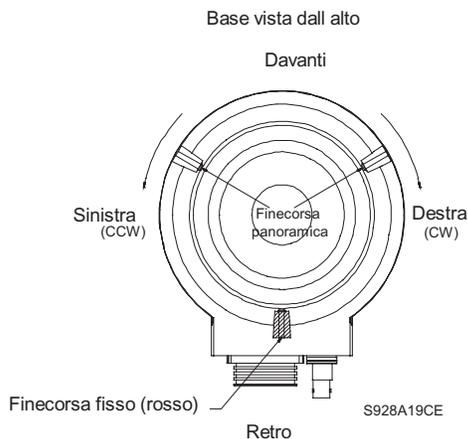


Figura 3: Localização das Paragens da Rotação Horizontal (Modelos de 345°)

4 FUNCIONAMENTO

4.1 Funcionamento Manual da Rotação Horizontal (Modelos de 345°)

As paragens da rotação horizontal estabelecem os limites da rotação horizontal manual. As duas (2) paragens da rotação horizontal ajustáveis podem ser reposicionadas ou removidas consoante o funcionamento pretendido. O alcance máximo da rotação horizontal é indicado na **Figura 4**.



Cuidado: Nunca mova ou remova a paragem fixa. Tem sempre de estar bem posicionada para o funcionamento adequado da função de rotação horizontal.

4.2 Funcionamento Automático da Rotação Horizontal (Modelos de 345°)

A utilização da função automática da rotação horizontal requer a ligação de fios ao pino 16 (Rotação Horizontal Esquerda), pino 18 (Rotação Horizontal Direita) e pino 19 (Comum). Consulte a **Figura 6**. A função automática de rotação horizontal é obtida quando a unidade de controlo dá pelas alterações feitas ao fluxo actual através do motor de rotação horizontal. Ao ser alcançada uma paragem da rotação horizontal, o fluxo actual pára e os circuitos internos da unidade de controlo invertem a direcção da rotação horizontal automática.

Nota: O controlador da rotação horizontal/vertical tem de estar equipado com circuitos de reconhecimento de corrente especiais para que a função automática de rotação horizontal funcione neste modo. As paragens da rotação horizontal ou a paragem fixa estabelecem os limites da rotação horizontal automática.

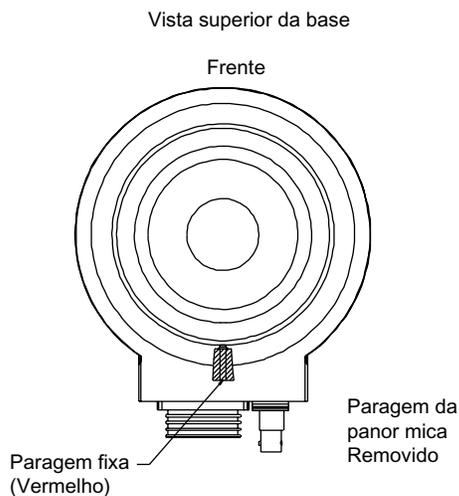


Figura 4: Rotação Horizontal Manual Máxima e Rotação Horizontal Automática Máxima (Modelos de 345°)

4.3 Ajuste da Paragem da Rotação Horizontal (Modelos de 345°)

1. Solte as paragens da rotação horizontal e ajuste o alcance pretendido para a rotação horizontal manual ou automática. Uma área recolhida da cabeça do sistema de rotação horizontal permite espaço suficiente para remover uma paragem da base.
2. Quando todas as paragens estão posicionadas, verifique se estão bem fixas.
3. Faça a unidade funcionar a partir do controlador para confirmar se os limites estão devidamente definidos. Reajuste se necessário.

4.4 Funcionamento da Rotação Horizontal (Modelos de 360°)

Estes modelos permitem o funcionamento rotativo (horizontal) a 360 graus. Não possuem paragens da rotação. Estas unidades podem ser manualmente rodadas para a esquerda ou para a direita, ou podem rodar continuamente para a esquerda ou direita através da activação automática da rotação horizontal. A activação da função automática da rotação horizontal requer a ligação de fios ao pino 16 (Rotação Horizontal Esquerda), pino 18 (Rotação Horizontal Direita) e pino 19 (Comum). Consulte a **Figura 7**.

4.3 Ajuste da Paragem da Rotação Vertical (Todos os Modelos)

Depois de ter instalado a unidade e ter feito todas as ligações de fios, aplique a corrente adequada à unidade de controlo. Consulte a **Figura 5** e ajuste as paragens da rotação vertical da seguinte forma:

1. Com a parte da frente do sistema de rotação horizontal/vertical virado para si, remova a tampa do encaixe esquerdo. Os parafusos de ajuste da paragem da rotação vertical ficam agora expostos.

2. Utilizando a unidade de controlo, incline o suporte para a posição pretendida e páre a unidade. Utilize a chave de Allen de 3/32 polegadas para desapertar a paragem da Rotação Vertical para Cima. Deslize a paragem Para cima até ouvir um ligeiro clique (indicando a activação do comutador). Aperte o parafuso da paragem limite da Rotação Vertical para Cima.
3. Utilizando a unidade de controlo, incline o suporte para a posição pretendida e páre a unidade. Utilize a chave de Allen de 3/32 polegadas para desapertar a paragem da Rotação Vertical para Baixo. Deslize a paragem Para baixo até ouvir um ligeiro clique. Aperte o parafuso da paragem limite da Rotação Vertical para Baixo.
4. Faça funcionar com a unidade de controlo para verificar o devido alcance e funcionamento da paragem da rotação vertical. Repita a sequência anterior, se necessário. Certifique-se de que ambos os parafusos de paragem da rotação vertical estão bem apertados. Volte a colocar a tampa do encaixe.



Cuidado: Não funcione com a unidade de rotação horizontal/vertical sem paragens. As paragens limite não devem ser ajustadas durante o funcionamento da unidade.

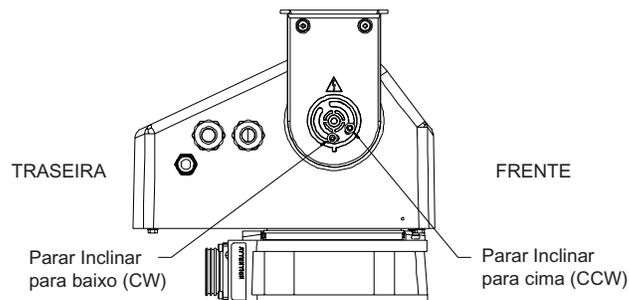


Figura 5: Paragens da Rotação Vertical (Vista Lateral - Ficha Removida)

4.6 Modelos com Pré-posição

Os modelos de 345° com funcionalidade de pré-posição requerem ligações de fios aos pinos 1 a 4, 8 e 9, e a utilização de um controlador ou receptor/motor com função de pré-posição. O funcionamento da rotação horizontal/vertical e os ajustes das paragens limite funcionam da mesma forma dos modelos descritos anteriormente.

5 DIAGRAMAS DAS LIGAÇÕES DE FIOS

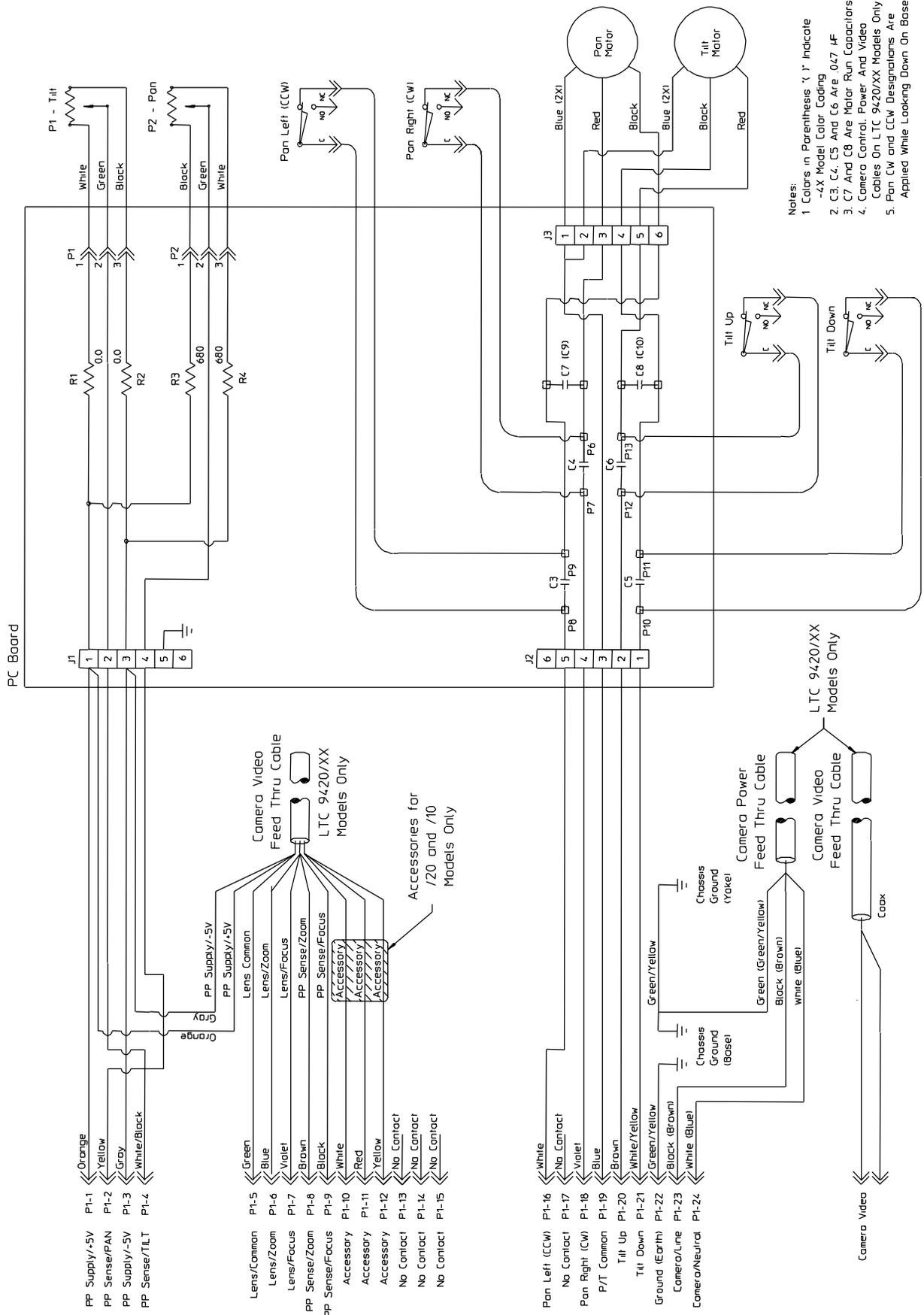


Figura 6: Diagrama das Ligações de Fios - Modelos de 0° a 345°

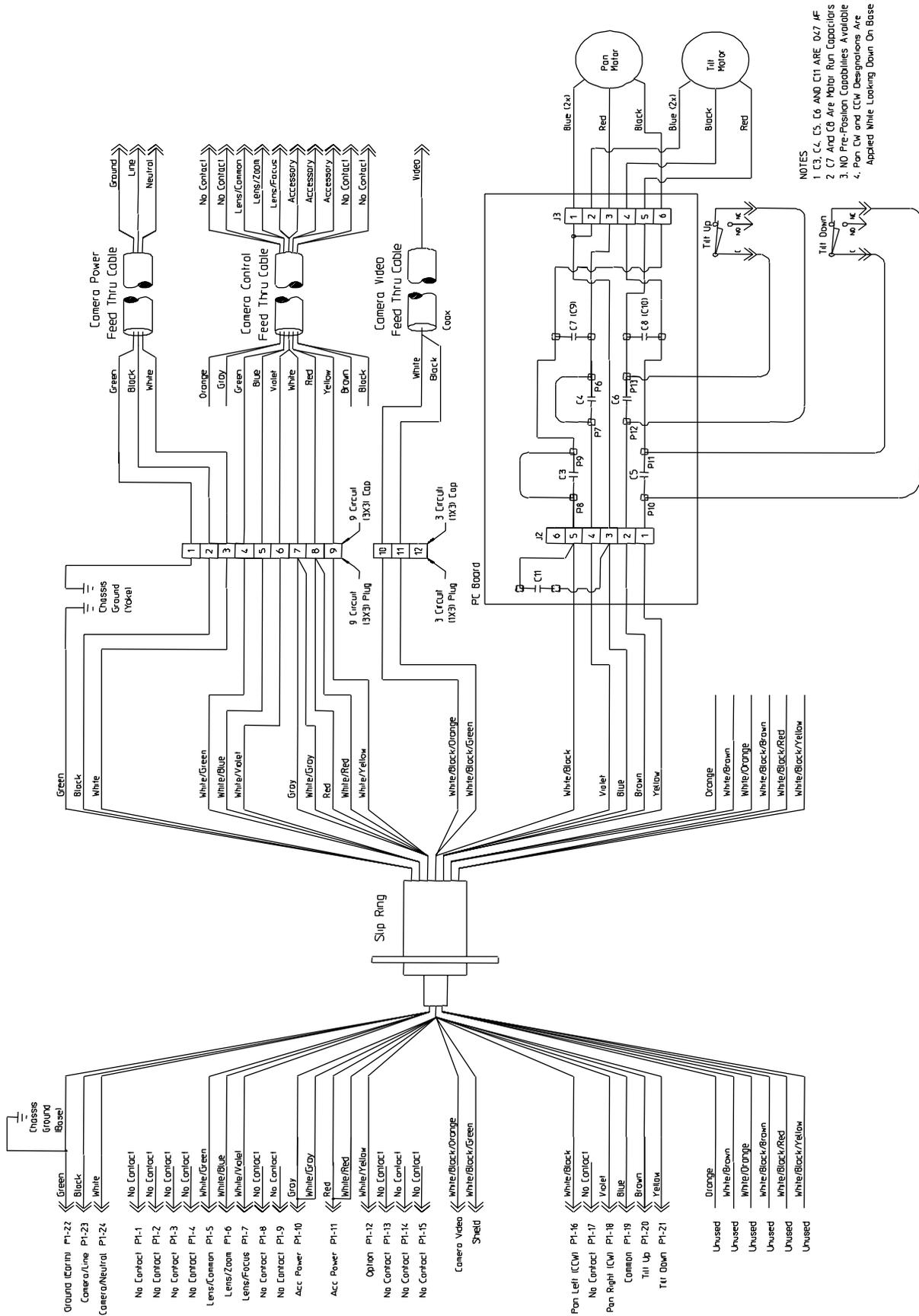


Figura 7: Diagrama das Ligações de Fios - Modelos de 360°

6 APLICAÇÕES RECOMENDADAS

Apenas nos modelos de 360°



Utilize apenas câmaras/estruturas de 24 volts com os sistemas de rotação horizontal/vertical dos modelos de 360°.



A potência máxima para combinações de resistência de aquecimento/ventilador é de 75 watts para evitar sobrecarregar o anel colector. Esta carga tem de ser alimentada pelo pino 10 (directo branco) e o pino 11 (directo vermelho). Consulte a **Figura 2**.

Modelos de 24 Volts Directos



Para manter a Aprovação cUL e TUV, utilize apenas câmaras/estruturas de 24 volts.

13 ESQUEMA DAS DIMENSÕES

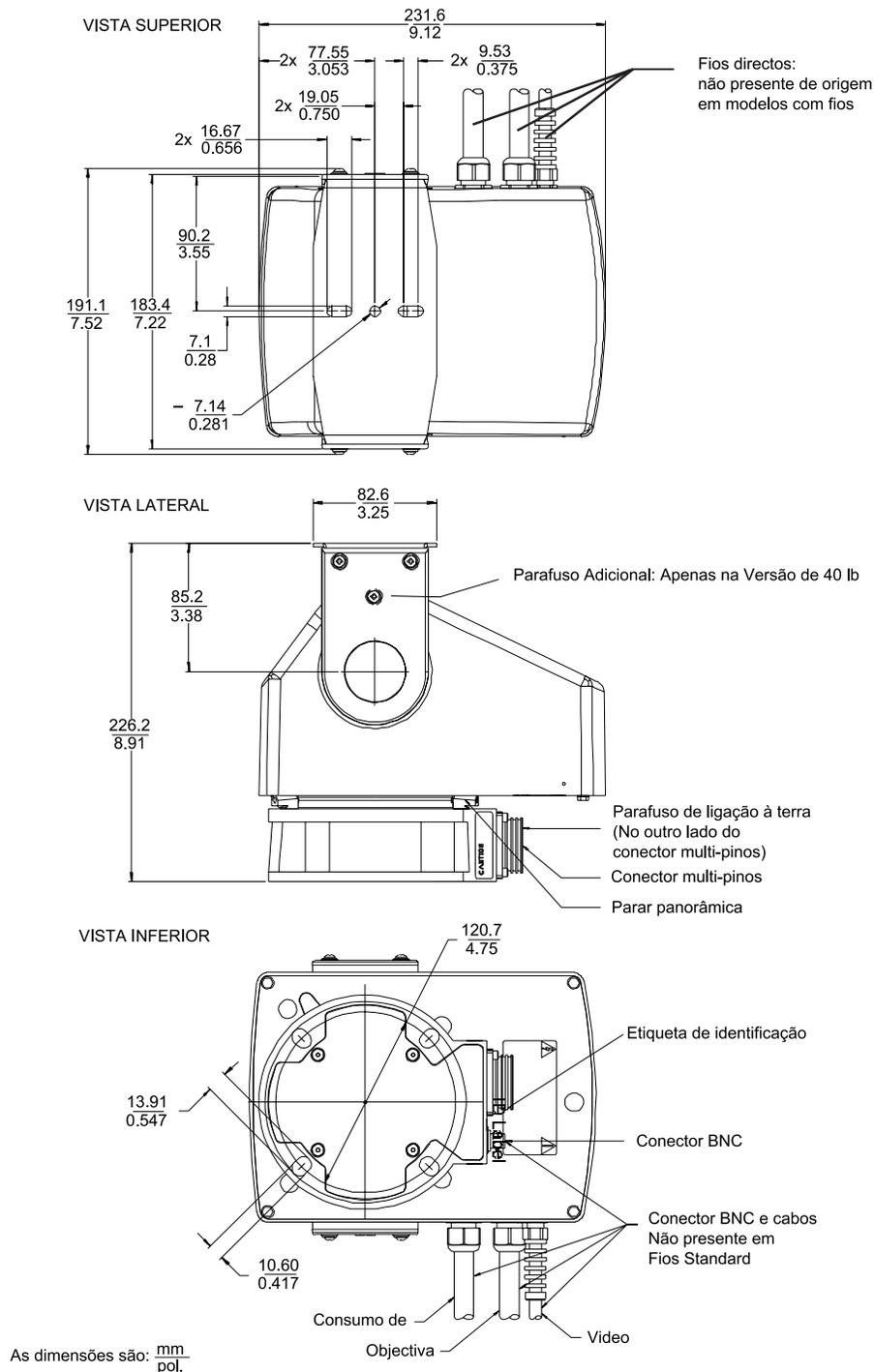


Figura 9

INFORMACJE WAŻNE DLA BEZPIECZEŃSTWA:

1. Poniższe instrukcje przeczytać, stosować się do nich i zachować je - Przed przystąpieniem do obsługi urządzenia zapoznać się ze wszystkimi zasadami bezpieczeństwa oraz instrukcjami obsługi i zastosować się do nich. Instrukcje zachować, aby były dostępne w przyszłości.

2. Ostrzeżenia – przestrzegać wszystkich ostrzeżeń podanych na urządzeniu i w instrukcji obsługi.

3. Urządzenia dodatkowe - Do urządzenia nie podłączać żadnych urządzeń dodatkowych, które nie są zalecane przez producenta, ponieważ może to zagrażać bezpieczeństwu.

4. Środki ostrożności podczas instalacji - Urządzenia nie umieszczać na niestabilnym stojaku, trójnogu, wsporniku lub zawieszeniu. Urządzenie może z niego spaść, powodując poważne obrażenia u ludzi i uszkodzenie urządzenia. Korzystać wyłącznie z akcesoriów zalecanych przez producenta lub kupionych razem z produktem. Podczas montażu urządzenia ściśle przestrzegać instrukcji producenta. Podczas przesuwania wózka z urządzeniem zachować ostrożność. Gwałtowne hamowanie, szarpanie lub nierówna nawierzchnia mogą spowodować przewrócenie się wózka z urządzeniem.

5. Czyszczenie - Przed przystąpieniem do czyszczenia odłączyć urządzenie od sieci elektrycznej. Przestrzegać wszystkich instrukcji dostarczonych wraz z urządzeniem. W większości przypadków do czyszczenia powinna wystarczyć zwilżona szmatka. Nie używać środków czyszczących w płynie lub w aerozolu.

6. Serwis - Czynności serwisowych dotyczących urządzenia nie wykonywać samodzielnie. Otwarcie lub zdjęcie obudowy grozi porażeniem elektrycznym i innymi niebezpieczeństwami. Serwis zlecać wykwalifikowanym pracownikom obsługi.

7. Uszkodzenie wymagające naprawy - Sytuacje, w których należy odłączyć urządzenie od głównego źródła zasilania i zlecić naprawę wykwalifikowanym pracownikom obsługi, są następujące:

- Jeśli zostało uszkodzone gniazdo lub przewód zasilania.
- Jeśli na urządzenie wylał się płyn lub spadł na nie inny przedmiot.
- Jeśli urządzenie zostało wystawione na działanie wody i/lub niekorzystnych czynników atmosferycznych (wiatru, śniegu itp.).
- Jeśli urządzenie nie funkcjonuje prawidłowo mimo przestrzegania instrukcji obsługi. Do regulacji wolno używać tylko elementów sterujących określonych w instrukcji obsługi. Nieprawidłowe regulowanie innymi elementami sterującymi może spowodować uszkodzenie, po którym przywrócenie normalnej pracy urządzenia może wymagać dużego nakładu pracy wykwalifikowanego pracownika obsługi.
- Jeśli urządzenie upadło lub obudowa uległa uszkodzeniu.
- Zaobserwowanie wyraźnych zmian w pracy urządzenia wskazuje, że powstała konieczność przeprowadzenia czynności serwisowych.

8. Części zamienne - Jeśli są wymagane części zamienne, pracownik serwisu powinien użyć części zamiennych określonych przez producenta lub mających takie same parametry, co części oryginalne. Zastosowanie

do wymiany części nieautoryzowanych grozi pożarem, porażeniem elektrycznym i innymi niebezpieczeństwami.

9. Kontrola bezpieczeństwa - Po zakończeniu serwisu lub naprawy urządzenia poprosić pracownika serwisu o przeprowadzenie testów bezpieczeństwa weryfikujących, czy urządzenie nadaje się do pracy.

10. Źródła zasilania - Urządzenie powinno być zasilane wyłącznie ze źródła zasilania tego typu, który jest podany na etykiecie. W przypadku wątpliwości, jakiego typu powinno być źródło zasilania, się skontaktować z dealerem lub lokalnym zakładem energetycznym.

- Jeśli urządzenie jest przeznaczone do zasilania z akumulatora, zastosować się do instrukcji obsługi.
- Jeśli urządzenie jest przeznaczone do zasilania **przez zewnętrzne zasilacze**, używać wyłącznie zalecanych atestowanych zasilaczy.
- Jeśli urządzenie jest przeznaczone do zasilania **przez ograniczone źródło zasilania**, źródło to musi spełniać normę EN60950. Użycie innego źródła może spowodować uszkodzenie urządzenia, pożar lub porażenie elektryczne.
- Jeśli urządzenie jest przeznaczone do zasilania napięciem przemiennym **24 V**, normalne przemienne napięcie wejściowe wynosi 24 V. Napięcie przemienne doprowadzone do wejścia zasilania urządzenia nie powinno przekraczać 30 V. Okablowanie użytkownika, łączące źródło zasilania o napięciu przemiennym 24 V z urządzeniem, musi spełniać normy elektryczne (poziom zasilania klasy 2). Zasilania napięciem przemiennym 24 V nie zwierać z masą na stykach ani na stykach zasilania urządzenia.

11. Uziemienie wspólnościowe - Jeśli do urządzenia jest podłączony zewnętrzny system przewodów, musi on być uziemiony. Tylko modele sprzedawane w Stanach Zjednoczonych: informacje o właściwym uziemieniu zawieszenia i konstrukcji nośnej, uziemieniu kabla wspólnościowego do urządzenia wyladowczego, wielkości przewodników masy, lokalizacji urządzenia wyladowczego, połączeniu elektrod masy oraz wymaganiach dotyczących elektrody masy można znaleźć w paragrafie 810 kodeksu National Electrical Code, ANSI/NFPA No.70.

12. Uziemienie lub polaryzacja - Urządzenie może być wyposażone we wtyczkę polaryzowanej linii napięcia przemienne (wtyczkę z jednym ostrzem szerszym niż pozostałe). To zabezpieczenie sprawia, że wtyczkę można włożyć do gniazda zasilania tylko w jeden sposób. Jeśli wtyczka nie wchodzi do końca do gniazda, być może wejdzie po odwróceniu. Jeśli mimo odwrócenia wtyczka wciąż nie pasuje do gniazda, poprosić elektryka o wymianę przestarzałego gniazda. Polaryzacja wtyczki jest zabezpieczeniem, które należy stosować.

Urządzenie może też być wyposażone w trójżyłową wtyczkę z uziemieniem (wtyczkę z trzecim stykiem, służącym jako masa). To zabezpieczenie sprawia, że wtyczkę można włożyć tylko do gniazda z uziemieniem. Jeśli wtyczki nie można włożyć do gniazda, poprosić elektryka o wymianę przestarzałego gniazda. Uziemienie wtyczki jest zabezpieczeniem, które należy stosować.

13. Wyladowania atmosferyczne - W trakcie burzy z wyladowaniami atmosferycznymi odłączyć urządzenie od sieci elektrycznej i systemu przewodów; to samo zrobić, jeśli nieużywane urządzenie pozostaje przez dłuższy czas bez opieki. Zapobiegnie to uszkodzeniu urządzenia przez wyladowania atmosferyczne i skoki napięcia w sieci energetycznej.

ŚRODKI BEZPIECZEŃSTWA

DOTYCZY PRODUKTU UŻYWANEGO WEWNĄTRZ BUDYNKU

- 1. Woda i wilgoć** - Produkt nie powinien być używany w pobliżu wody — np. w wilgotnej piwnicy, w ramach niezabezpieczonej instalacji zewnętrznej lub w dowolnym miejscu, gdzie jest wilgotno.
- 2. Przedmioty i płyny wewnątrz urządzenia** - W otwory w urządzeniu nie wolno wpychać żadnych przedmiotów, ponieważ mogą one zetknąć się z miejscami pod wysokim napięciem i spowodować pożar lub porażenie elektryczne. Na urządzenie nie wolno wylewać żadnych płynów.
- 3. Przewód zasilania i ochrona przewodu zasilania** - Jeśli urządzenie ma być zasilane napięciem przemiennym **230 V, 50 Hz**, zarówno wejściowy, jak i wyjściowy przewód zasilania muszą być zgodne z najnowszymi opublikowanymi normami IEC Publication 227 lub IEC Publication 245.
Przewody zasilania powinny zostać tak poprowadzone, aby nic ich nie przyciskało i nikt ich nie nadeptywał. Szczególną uwagę zwrócić na lokalizację przewodów i wtyczek, gniazd i punktów wyjścia urządzenia.
- 4. Przeciążenie** - Przeciążenie gniazd sieci elektrycznej i przedłużaczy grozi pożarem i

DOTYCZY PRODUKTU UŻYWANEGO NA ZEWNĄTRZ BUDYNKU

- 1. Linie energetyczne** - Instalacji na zewnątrz budynku nie powinno umieszczać się w sąsiedztwie napowietrznych linii energetycznych, latarni lub obwodów elektroenergetycznych ani w dowolnych innych miejscach, gdzie mogłyby się zetknąć z takimi liniami lub obwodami. Podczas montażu instalacji na zewnątrz budynku zachować najwyższe środki ostrożności, aby nie dotknąć obwodów lub linii energetycznych, ponieważ grozi to śmiercią. Tylko modele sprzedawane w Stanach Zjednoczonych: patrz artykuł 820 kodeksu National Electrical Code, poświęcony montażowi systemów telewizji kablowej.

DOTYCZY PRODUKTU INSTALOWANEGO W STELAŻU

- 1. Wentylacja** - Urządzenia nie umieszczać w instalacji wbudowanej lub w stelażu, dopóki nie zapewni się odpowiedniej wentylacji lub przestrzegania instrukcji producenta. Urządzenie nie może rozgrzewać się powyżej maksymalnej temperatury pracy określonej w parametrach urządzenia.
- 2. Obciążenie mechaniczne** - Sprzęt powinien zostać tak zamocowany w stelażu, aby uniknąć niebezpieczeństw wynikających z nierównomiernego obciążenia mechanicznego.



UWAGA

NIEBEZPIECZEŃSTWO PORAŻENIA PRĄDEM ELEKTRYCZNYM. NIE OTWIERAĆ!



Przeostroga: Aby zmniejszyć ryzyko porażenia elektrycznego, nie zdejmować pokrywy górnej (ani tylnej). Wewnątrz urządzenia nie ma żadnych elementów, które mogą być naprawiane samodzielnie przez użytkownika. Serwis zlecać wykwalifikowanym pracownikom obsługi.



Ten symbol wskazuje na obecność niez izolowanego „niebezpiecznego napięcia” we wnętrzu urządzenia. Napięcie to grozi porażeniem elektrycznym.



Użytkownik powinien zapoznać się z instrukcjami obsługi i konserwacji (serwisu), zamieszczonymi w dokumentacji towarzyszącej urządzeniu.



Uwaga: Instalacja może być wykonywana wyłącznie przez wykwalifikowanych pracowników obsługi, zgodnie z zasadami kodeksu National Electrical Code lub innych obowiązujących norm.



Odłączanie zasilania Niezależnie od wyposażenia w wyłącznik zasilania, prąd do urządzenia jest doprowadzany zawsze, gdy przewód zasilania jest podłączony do źródła zasilania; jednak urządzenie działa tylko wtedy, gdy wyłącznik zasilania jest włączony. Przewód zasilania jest głównym wyłącznikiem zasilania we wszystkich urządzeniach.

SPIS TREŚCI

1 ROZPAKOWYWANIE	87
2 SERWIS.....	87
3 INSTALACJA.....	87
3.1 Definicja modeli	87
3.2 Zalecany osprzęt montażowy.....	88
3.3 Montaż ścienny	88
3.4 Montaż kamery/obiektywu/obudowy.....	88
3.5 Połączenia elektryczne	88
3.6 Połączenie masy	88
3.7 Zespół złącza.....	88
3.8 Ograniczniki obrotu (modele 345°).....	90
4 OBSŁUGA.....	90
4.1 Obracanie ręczne (modele 345°).....	90
4.2 Obracanie automatyczne (modele 345°).....	90
4.3 Regulacja ograniczników obrotu (modele 345°).....	91
4.4 Obracanie (modele 360°).....	91
4.5 Regulacja ograniczników uchyłu (wszystkie modele).....	91
4.6 Modele z ustawieniem wstępnym.....	91
5 SCHEMATY OKABLOWANIA.....	92
6 ZALECANE ZASTOSOWANIA.....	95
7 RYSUNEK WYMIAROWY	95

1 ROZPAKOWYWANIE

Podczas rozpakowywania tego urządzenia elektromechanicznego i obchodzenia się z nim zachować najwyższą ostrożność.

Sprawdzić następujące elementy:

- Numer modelu urządzenia
- Klucz imbusowy 3/32"
- Zestaw połączeniowy 315 1232 001

Jeśli jakiegokolwiek elementy zostały uszkodzone podczas transportu, włożyć je z powrotem do pudełka i poinformować o tym dostawcę. Jeśli jakichkolwiek elementów brakuje, skontaktować się z firmą Bosch Security Systems.

Pudełko transportowe jest najbardziej bezpiecznym opakowaniem dla transportu urządzenia. Zachować je do ewentualnego wykorzystania w przyszłości.

2 SERWIS

Jeżeli urządzenie wymaga naprawy, użytkownik powinien skontaktować się z najbliższym Centrum serwisowym firmy Bosch Security Systems, Inc. w celu uzyskania zgody na odesłanie oraz instrukcji dotyczących sposobu dokonania przesyłki.

Centra serwisowe

Stany Zjednoczone: 800-366-2283 lub 408-956-3895
Faks: 800-366-1329 lub 408-956-3896
Email: NationalServiceCenter@ca.slr.com
Kanada: 514-738-2434
Europa, Azja, Australia i Oceania
800-366-2283

Dodatkowe informacje można uzyskać pod adresem www.boschsecuritysystems.com

3 INSTALACJA



Instalacja powinna być wykonywana przez wykwalifikowanego pracownika obsługi zgodnie ze wszystkimi obowiązującymi sposobami postępowania.



Przed podłączeniem lub rozłączeniem złącza elektrycznego głowicy obrotowo-uchylnej zawsze odłączyć urządzenie od zasilania. Głowica musi być zamontowana tak, aby osoby nieupoważnione nie miały do niej dostępu (na wysokości przynajmniej 3 m).



Urządzenia są przeznaczone do instalacji pionowej lub odwróconej. Dla utrzymania wodoszczelności podczas instalacji zewnątrzbudynkowej w pozycji odwróconej urządzenie musi zostać zainstalowane w wodoszczelnej obudowie (np. pod wodoszczelną kopułą) lub w miejscu osłoniętym przed czynnikami atmosferycznymi.

Przed zainstalowaniem głowicy wraz z wyposażeniem towarzyszącym w terenie sprawdzić poprawność okablowania i działania elementów.

LTC 9418 i LTC 9420

Maksymalne obciążenie wynosi 10 kg, co odpowiada momentowi obrotowemu 149 kg/cm przy odległości 63,5 mm od środka ciężkości zespołu obudowy/obiektywu/kamery do środka tablicy przechyłu.

LTC 9440 i LTC 9441

Maksymalne obciążenie wynosi 18 kg, co odpowiada momentowi obrotowemu 297 kg/cm przy środku ciężkości znajdującym się 79,2 mm od środka tablicy przechyłu.

Aby głowica obrotowo-uchylna działała najlepiej, ciężar całkowity obudowy/kamery/obiektów powinien być wyśrodkowany centralnie, od przodu do tyłu, na powierzchni tablicy przechyłu.

Patrz **ZALECANE ZASTOSOWANIA**.

3.1 Definicja modeli

Seria LTC 9418 Obciążalność:

obciążenie 10 kg, moment obrotowy 149 kg/cm

Okablowanie: Standardowe Wymagana moc: 24 W

Seria LTC 9420 Obciążalność:

obciążenie 10 kg, moment obrotowy 149 kg/cm

Okablowanie: Przepustowe Wymagana moc: 24 W

Seria LTC 9440 Obciążalność:

obciążenie 18 kg, moment obrotowy 297 kg/cm

Okablowanie: Standardowe Wymagana moc: 20 W

Seria LTC 9441 Obciążalność:

obciążenie 18 kg, moment obrotowy 297 kg/cm

Okablowanie: Przepustowe Wymagana moc: 20 W

	Nominalne napięcie przemienne silnika	Zakres napięcia
modele /60*:	120 V, 60 Hz	108–132
modele /20*:	24V, 60 Hz	21,6–26,4
modele 18 kg*:	24 V, 60 Hz	23–26,4
modele /10:	24V, 50 Hz	21,6–26,4
modele /50:	220 V, 50 Hz	207–253

Pole obrotu: 0°–345° w modelach standardowych, 0°–360° w modelach z obrotem ciągłym Ustawienie wstępne jest oznaczone jako -/x1, np. LTC 9441/61



Przeostoga: W modelach zasilanych napięciem przemiennym 24 V napięcie przemiennie na wejściu nie może przekraczać 30 V. Działanie pod napięciem przemiennym przekraczającym 30 V stanowi pogwałcenie norm Klasy 2 (zasilania niskim napięciem). Normalnie urządzenie powinno działać pod napięciem przemiennym 24 V. Modele zasilane napięciem przemiennym 24 V z atestem CUL.



Przeostoga: Podłączać tylko do zasilacza klasy 2. Natężenie całkowite przepływające przez złącze elektryczne nie może przekraczać 4 A. Natężenie głowicy obrotowo-uchylnej nie może przekraczać 1 A. Dopuszczalne natężenie kamery/obudowy wynosi 3 A. W modelach przepustowych stosować wyłącznie kamery i obudowy zasilane napięciem przemiennym 24 V.

3.2 Zalecany osprzęt montażowy

LTC 9216/00	Uchwyt ścienny do średnich obciążeń o udźwigu 45,3 kg.
LTC 9222/00	Uchwyt ścienny do dużych obciążeń o udźwigu 90,6 kg.
LTC 9214/00	Uchwyt kolumnowy 336 mm do dużych obciążeń montowany pod sufitem lub na cokole.
LTC 9224/00	Uchwyt kolumnowy 610 mm do dużych obciążeń montowany pod sufitem lub na cokole.

3.3 Montaż ścienny

postępować zgodnie z instrukcjami dołączonymi do uchwytów. Uchwyt i powierzchnia montażowa muszą być w stanie udźwignąć ciężar głowicy obrotowo-uchylnej, kamery/obiektywu i ewentualnie obudowy. Obudowa/kamera/obiektyw musi być prawidłowo zamontowana na wsporniku głowicy obrotowo-uchylnej i zrównoważona.



Przeostoga: Głowice obrotowo-uchylne mogą być montowane tylko pionowo lub w pozycji odwróconej; nigdy nie ich instalować poziomo.

3.4 Montaż kamery/obiektywu/obudowy

Zamontuj kamerę/obiektyw/obudowę na wsporniku głowicy obrotowo-uchylnej w następujący sposób:

1. Zrównoważ kamerę/obiektyw/obudowę i ustaw urządzenie tak, aby odpowiednie otwory montażowe były w jednej linii. Przykręć urządzenie do wspornika przynajmniej 2 (dwoma) elementami złącznymi 1/4-20 x o długości 1/2 cala z podkładkami.
2. Podłącz wszystkie połączenia elektryczne. Kable łączące kamerę/obudowę z głowicą obrotowo-uchylną powinny być na tyle luźne, aby umożliwić swobodne uchylenie i obracanie.

3.5 Połączenia elektryczne

1. Instalacja elektryczna musi być zgodna z **Zespołem złącza** (rozdział 3.7) i **Zalecanymi maksymalnymi długościami kabli** (Tabela 1).

2. Do zasilania kamery, zasilania obudowy i sterowania głowicą obrotowo-uchylną powinny być wykorzystywane osobne kable ekranowane. W razie potrzeby dopuszczalne jest wpuszczenie przewodu sterowania obiektywem i przewodu koncentrycznego sygnału wizyjnego do tego samego kabla. Zastosowanie wspólnego kabla wieloprzewodowego łączącego wszystkie funkcje nie jest wskazane.
3. Użycie różnobarwnych przewodów odpowiednio do kolorów styków będzie pomocne przy podłączaniu i późniejszej identyfikacji.
4. Schemat okablowania zachować, aby był dostępny w przyszłości.

Model Napięcie przemiennie	Rozmiar przewodu		Odległość ¹	
	mm ²	AWG	Stopy	Metry
24 V ²	0,5	20	140	43
	1	18	230	70
	1,5	16	360	110
	2,5	14	590	180
	4	12	940	287
110 V	0,5	20	2200	671
	1	18	3500	1067
	1,5	16	5500	1677
	2,5	14	9000	2744
220 V	0,5	20	13400	4085
	1	18	21200	6463
	1,5	16	33300	10152
	2,5	14	54400	16585

Tabela 1 Maksymalne długości kabli

Uwagi do Tabeli 1

15. Wartości obliczone w temperaturze 20 °C dla skręconego, ocynkowanego przewodu miedzianego ze wspólną masą przy jednoczesnym działaniu silników obracania i uchylenia.
16. W przypadku modeli 24 V działających w temperaturze -30° C lub zbliżonej wartości są oparte na utrzymaniu doprowadzanego napięcia w zakresie podanym w Rozdziale 3.1.

Do zaciskania złącza zalecana jest zaciskarka ręczna AMP #58495-1. Pozycje poszczególnych numerów styków przedstawiono na **Rysunku 2**. Do złącza pasuje przewód w rozmiarze do 16 AWG. Jeśli wymagany jest grubszy przewód, wskazane jest zastosowanie przewodu wielożyłowego zgodnie z obowiązującymi kodeksami elektrycznymi.



Przeostoga: Wyjęcie styku ze złącza wymaga użycia przyrządu do wyrywania AMP #305183.

3.6 Połączenie masy

Wkręt masy znajduje się u podstawy na prawo od złącza. Patrz **Rysunek 8**. Podłącz przewód masy o grubości 1 mm² (AWG 18) do najbliższego uziemienia.

3.7 Zespół złącza

Do urządzenia jest dołączone dopasowane złącze, gniazda oraz przewodniki. Patrz **Rysunek 1**.

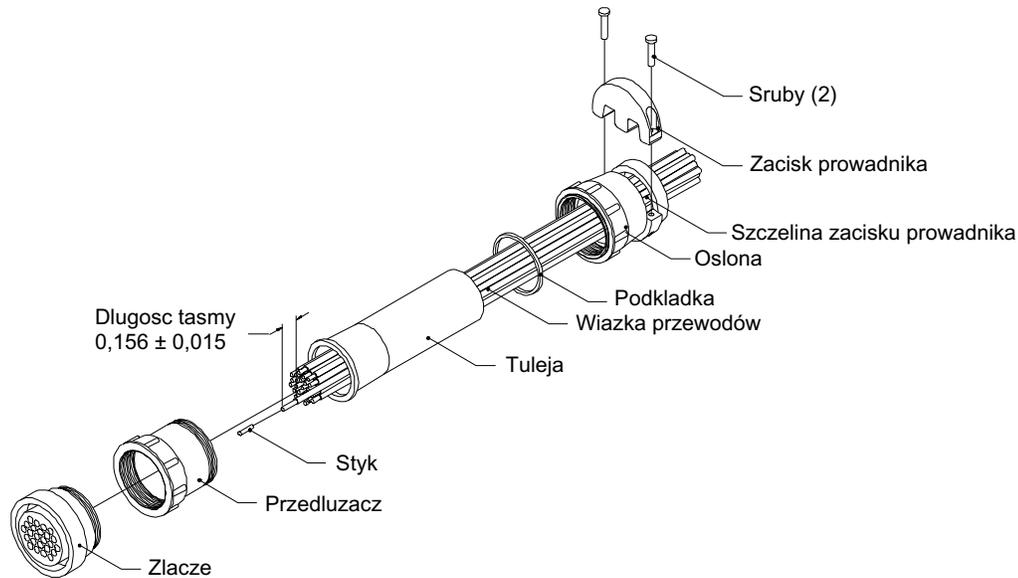
Przed przystąpieniem do instalacji wybierz zacisk przewodnika odpowiedniego rozmiaru. Wybierz jeden z dwóch zacisków przewodnika zintegrowanych z tuleją i przedłużaczem. Odcinek zaciskowy można wyregulować, odwracając lub zmieniając zaciski przewodnika. Wyrzuć cztery przewodniki znajdujące się na taśmie nośnej dołączonej do osłony.

Włóż zacisk do przewodnika do oporu. Zacisk powinien zatrzymać się na wiązce przewodów, a nie na kołnierzu osłony. Jeśli średnica przewodu jest za mała, **pro wizorycznie** owiń go taśmą elektryczną na czas,

dopóki nie będzie dostępny odpowiedni zacisk.
Przymocuj zacisk 2 (dwoma) dostarczonymi wkrętami.

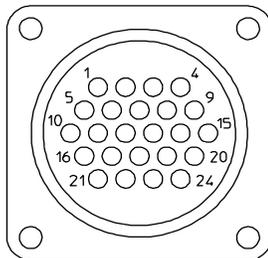


Przeostoga: Upewnij się, że wiązka przewodów jest odpowiednio przymocowana. NIE ściskaj przewodów.



Rysunek 1: Zespół przewodnika/osłony

OZNACZENIE PRZEWODÓW I POŁĄCZENIA STYKÓW



Rysunek 2: Styki wychodzące

Modele bez ustawienia wstępnego 345^{o5,6} Okablowanie przepustowe

Numer styku	Kolor
1: wolny ¹	
2: wolny ¹	
3: wolny ¹	
4: wolny ¹	
5: obiektyw wspólny	zielony ²
6: zoom	niebieski ²
7: ostrość	fioletowy ²
8: nieużywany	brązowy ²
9: nieużywany	czarny ²
10: urządzenie dodatkowe	biały ^{2,3}
11: urządzenie dodatkowe	czerwony ^{2,3}
12: urządzenie dodatkowe	żółty ^{2,3}
13: wolny ¹	
14: wolny ¹	
15: wolny ¹	
16: obrót w lewo	biały
17: wolny ¹	
18: obrót w prawo	fioletowy
19: głowica wspólny	niebieski
20: uchył w górę	brązowy
21: uchył w dół	biało-żółty
22: masa	zielono-żółty ²
23: napięcie zasilające kamery	czarny ^{2,4}
24: przewód zerowy napięcia zasilającego kamery	biały ^{2,4}

Modele bez ustawienia wstępnego 345^{o5,6} Okablowanie standardowe

Numer styku	Kolor
1: wolny ¹	
2: wolny ¹	
3: wolny ¹	
4: wolny ¹	
5: wolny ¹	
6: wolny ¹	
7: wolny ¹	
8: wolny ¹	
9: wolny ¹	
10: wolny ¹	
11: wolny ¹	
12: wolny ¹	
13: wolny ¹	
14: wolny ¹	
15: wolny ¹	
16: obrót w lewo	biały
17: wolny ¹	
18: obrót w prawo	fioletowy
19: głowica wspólny	niebieski
20: uchył w górę	brązowy
21: uchył w dół	biało-żółty
22: masa	zielono-żółty ²
23: wolny ¹	
24: wolny ¹	

Modele 360° z ustawieniem wstępnym i bez^{7,8}

Numer styku	Kolor
1: obrót +5V	pomarańczowy ⁸
2: czujnik obrotu (3)	biało-czarno-żółty ⁸
3: obrót -5V	biało-czarno-czerwony ⁸
4: czujnik obrotu	biało-czarno-brązowy ⁸
5: obiektyw wspólny	zielony ²
6: zoom	niebieski ²
7: ostrość	fioletowy ²
8: wolny ¹	
9: wolny ¹	
10: urządzenie dodatkowe	biały ^{2,3}
11: urządzenie dodatkowe	czerwony ^{2,3}
12: urządzenie dodatkowe	żółty ^{2,3}
13: wolny ¹	
14: wolny ¹	
15: czujnik obrotu (2)	biało-pomarańczowy ⁸
16: obrót w lewo	biały
17: wolny ¹	
18: obrót w prawo	fioletowy
19: głowica wspólny	niebieski
20: uchył w górę	brązowy
21: uchył w dół	biało-żółty
22: masa	zielono-żółty ²
23: napięcie zasilające kamery	czarny ^{2,4}
24: przewód zerowy napięcia zasilającego kamery	biały ^{2,4}

Modele z ustawieniem wstępnym 345^{o5,6}

Okablowanie przepustowe

Numer styku	Kolor
1: pozycja pozioma źródło (+)	pomarańczowy ²
2: pozycja pozioma	żółty ²
3: zwrot pozycji poziomej (-)	szary ²
4: pozycja pionowa	biało-czarny ²
5: obiektyw wspólny	zielony ²
6: zoom	niebieski ²
7: ostrość	fioletowy ²
8: pozycja zoomu	brązowy ²
9: pozycja ostrości	czarny ^{2,3}
10: urządzenie dodatkowe	biały ^{2,3}
11: urządzenie dodatkowe	czerwony ^{2,3}
12: urządzenie dodatkowe	żółty ^{2,3}
13: wolny ¹	
14: wolny ¹	
15: wolny ¹	
16: obrót w lewo	biały
17: wolny ¹	
18: obrót w prawo	fioletowy
19: głowica wspólny	niebieski
20: uchył w górę	brązowy
21: uchył w dół	biało-żółty
22: masa	zielono-żółty ²
23: napięcie zasilające kamery	czarny ^{2,4}
24: przewód zerowy napięcia zasilającego kamery	biały ^{2,4}

Modele z ustawieniem wstępnym 345^{o5,6}

Okablowanie standardowe

Numer styku	Kolor
1: pozycja pozioma źródło (+)	pomarańczowy ²
2: pozycja pozioma	żółty ²
3: zwrot pozycji poziomej (-)	szary ²
4: pozycja pionowa	biało-czarny ²
5: wolny ¹	
6: wolny ¹	
7: wolny ¹	
8: wolny ¹	
9: wolny ¹	
10: wolny ¹	
11: wolny ¹	
12: wolny ¹	
13: wolny ¹	
14: wolny ¹	
15: wolny ¹	
16: obrót w lewo	biały
17: wolny ¹	
18: obrót w prawo	fioletowy
19: głowica wspólny	niebieski
20: uchył w górę	brązowy
21: uchył w dół	biało-żółty
22: masa	zielono-żółty ²
23: wolny ¹	
24: wolny ¹	

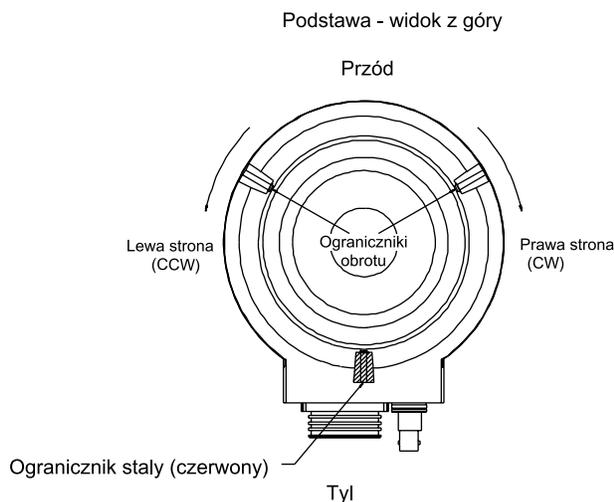
Uwagi

- wolny — styk bez połączenia, nie go używać.
- (Kolor) wskazuje okablowanie przepustowe do kamery/obudowy.
- Odnosi się tylko do modeli 24 V. W modelach 110 V i 220 V styki 10–12 nie są używane.
- Podane (kolory) dotyczą modeli 24 V i 110 V. W modelach 220 V przewód (23) jest brązowy, a (24) — niebieski.
- W modelach 220 V przewody do styków 16–24 (o ile są używane) powinny być izolowane od innych przez bandażowaną izolację zgodną z wymaganiami normy DIN VDE 0860/05.89, IEC 65. Przewody do styków 16–24 (o ile są używane) muszą znajdować się w przewodzie z oznakowaniem HAR o powierzchni przekroju co najmniej 0,75 mm² (H05 VV-F).
- Schemat połączeń przedstawiono na **Rysunku 6**.
- Schemat połączeń przedstawiono na **Rysunku 7**.
- Tylko modele z ustawieniem wstępnym. Schemat połączeń przedstawiono na **Rysunku 8**.

3.8 Ograniczniki obrotu (modele 345°)

Zlokalizuj 3 (trzy) ograniczniki u podstawy urządzenia. Czerwony ogranicznik jest ogranicznikiem stałym. Nie jest regulowany i **nie** wolno go usuwać. Dwa pozostałe ograniczniki to ograniczniki obrotu. Są one umieszczone po obu stronach dźwigni przełącznika obrotu.

Dwa ograniczniki obrotu są regulowane i przymocowywane śrubą ustalającą. Śruby są dostępne przez otwory na końcach ograniczników. Do odkręcania i przykręcania śruby użyć klucza imbusowego 3/32". Patrz **Rysunek 3**.



Rysunek 3: Lokalizacje ograniczników obrotu (modele 345°)

4 OBSŁUGA

4.1 Obracanie ręczne (modele 345°)

Zasięg obracania ręcznego zależy od pozycji ograniczników obrotu. Dwa regulowane ograniczniki obrotu można przesunąć lub usunąć w zależności od pożądanego sposobu działania. Konfigurację maksymalnego zasięgu obrotu przedstawiono na **Rysunku 4**.

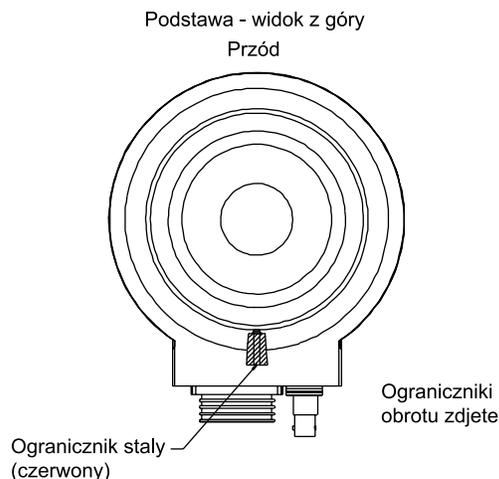


Przeostrogą: Ogranicznika stałego nie przesuwaj ani usuwaj. Musi być zawsze na swoim miejscu, gdyż inaczej funkcja obracania nie będzie działała poprawnie.

4.2 Obracanie automatyczne (modele 345°)

Korzystanie z obracania automatycznego wymaga podłączenia przewodów do styku 16 (obróć w lewo), styku 18 (obróć w prawo) i styku 19 (sygnał wspólny). Patrz **Rysunek 6**. Funkcja obracania automatycznego działa na zasadzie wyczuwania przez kontroler zmian w przepływie natężenia przez silnik obrotu. Po osiągnięciu ogranicznika obrotu przepływ natężenia zatrzymuje się i wewnętrzny układ kontrolera odwraca kierunek obracania automatycznego.

Uwaga: Funkcjonowanie obracania automatycznego w tym trybie wymaga, aby kontroler głowicy obrotowo-uchylnej był wyposażony w specjalny układ czujnika. Obracanie automatyczne zatrzymuje się na ogranicznikach obrotu lub na ograniczniku stałym.



Rysunek 4: Maksymalny zasięg obracania ręcznego i automatycznego (modele 345°)

4.3 Regulacja ograniczników obrotu (modele 345°)

1. Złuzuj ograniczniki obrotu i ustaw je stosownie do pożądanego zasięgu obracania ręcznego i automatycznego. W głowicy obrotowej jest wgłębienie, aby było wystarczająco dużo miejsca na usunięcie ogranicznika z podstawy.
2. Po założeniu wszystkich ograniczników sprawdź, czy są dobrze przymocowane.
3. Sterując urządzeniem przez kontroler upewnij się, że ograniczniki są prawidłowo ustawione. Jeśli są źle ustawione, wyreguluj je ponownie.

4.4 Obracanie (modele 360°)

Te modele umożliwiają obracanie o 360 stopni. Nie ma w nich ograniczników obrotu. Urządzenia te można obracać w lewo lub w prawo ręcznie lub ruchem ciągłym przez obracanie automatyczne. Aktywacja obracania automatycznego wymaga podłączenia przewodów do styku 16 (obrót w lewo), styku 18 (obrót w prawo) i styku 19 (sygnał wspólny). Patrz **Rysunek 7**.

4.5 Regulacja ograniczników uchyłu (wszystkie modele)

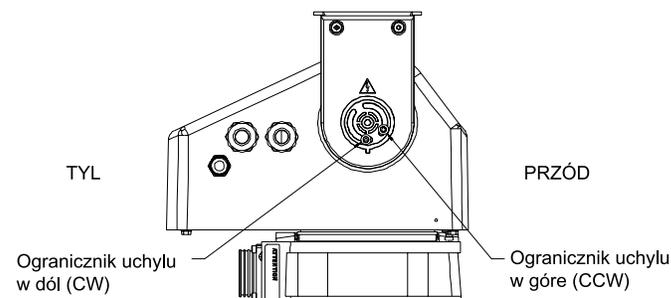
Po zainstalowaniu urządzenia i podłączeniu wszystkich połączeń doprowadź odpowiednie zasilanie do jednostki sterującej. Zapoznaj się z **Rysunkiem 5** i wyreguluj ograniczniki uchyłu w następujący sposób:

1. Usuń lewą nasadkę piasty, patrząc od swojej strony. Śruby regulacji ogranicznika uchyłu będą teraz widoczne.
2. Trzymając za jednostkę sterującą, przechyl wspornik w górę do żądanej pozycji i zatrzymaj urządzenie. Kluczem imbusowym 3/32" złuzuj ogranicznik uchyłu w górę. Przesuwaj ogranicznik w górę, aż usłyszysz słabe trzaśnięcie (oznaczające aktywację włącznika). Przykręć śrubę ogranicznika uchyłu w górę.
3. Trzymając za jednostkę sterującą, przechyl wspornik w dół do żądanej pozycji i zatrzymaj urządzenie. Kluczem imbusowym 3/32" złuzuj ogranicznik uchyłu w dół. Przesuwaj ogranicznik w dół, aż usłyszysz słabe trzaśnięcie. Przykręć śrubę ogranicznika uchyłu w dół.

4. Operując jednostką sterującą sprawdź, czy uchylenie działa prawidłowo i jego zasięg jest odpowiedni. W razie potrzeby powtórz powyższą procedurę. Upewnij się, że obie śruby ograniczników uchyłu są mocno przykręcone. Załóż z powrotem nasadkę piasty.



Przeostroga: Głowicy obrotowo-uchylnej nie używać bez ograniczników. Ograniczników nie regulować w trakcie pracy urządzenia.

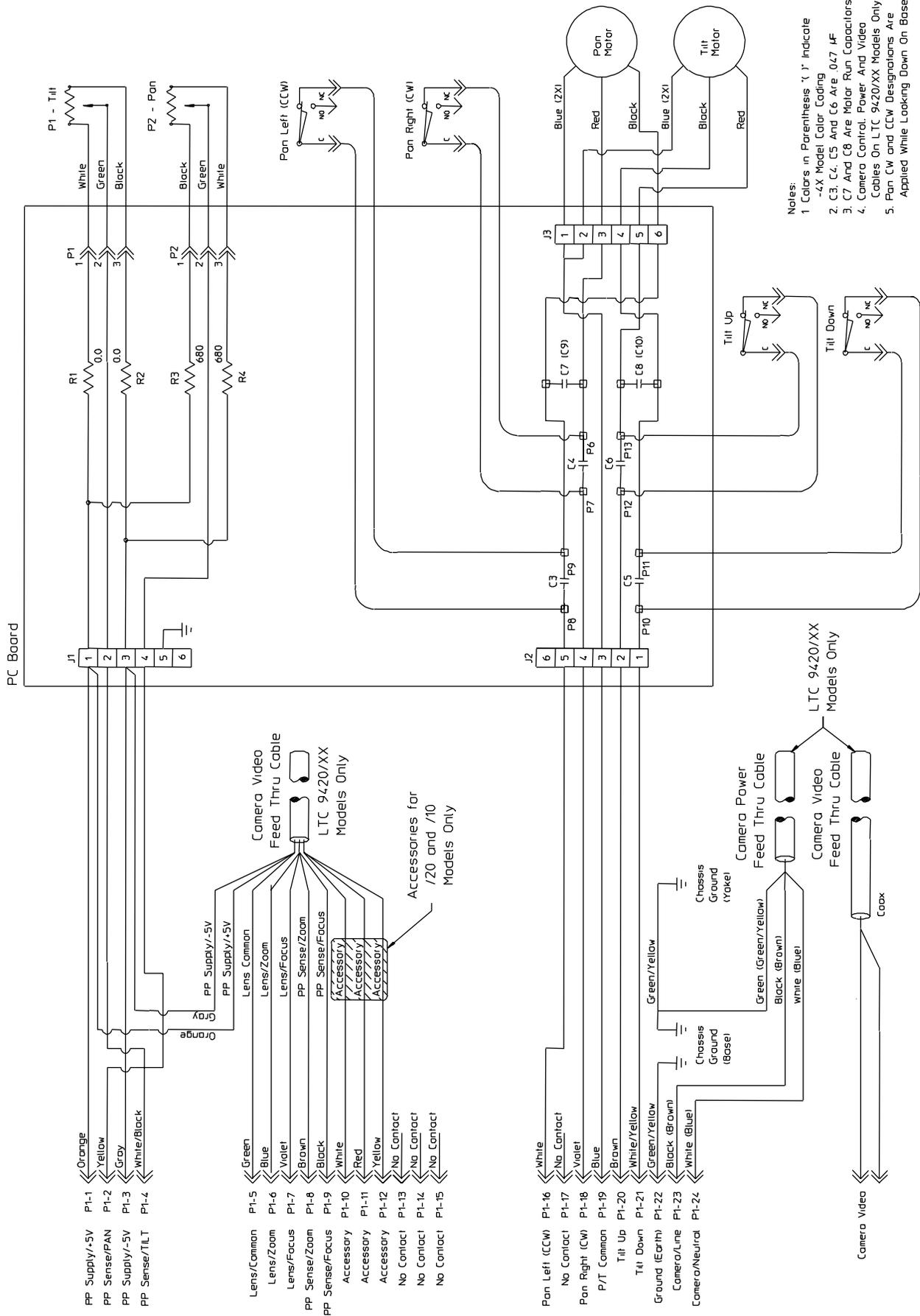


Rysunek 5: Ograniczniki uchyłu (widok z boku — nasadka zdjęta)

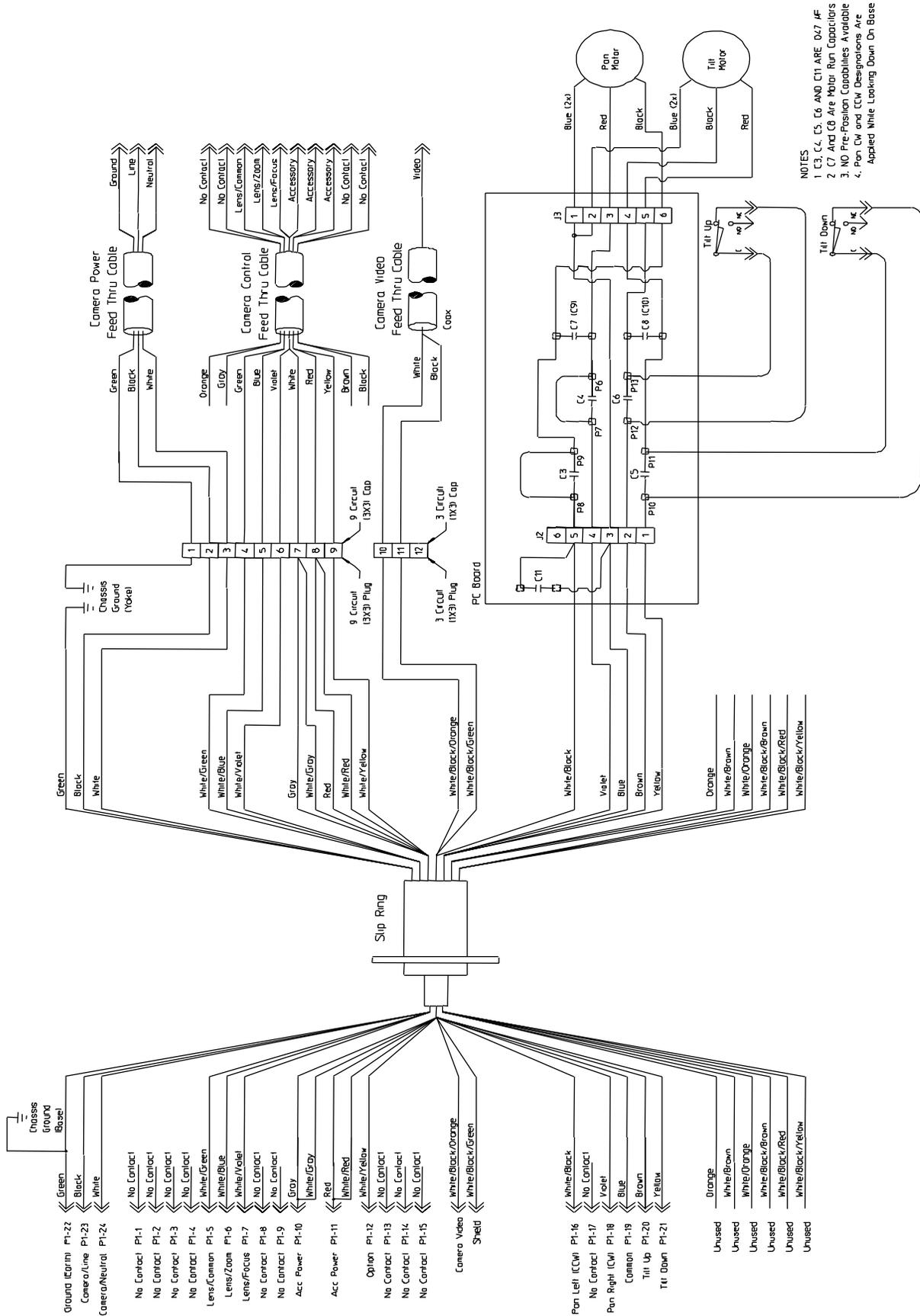
4.6 Modele z ustawieniem wstępnym

Modele 345° z możliwością ustawiania wstępnego wymagają podłączenia przewodów do styków 1–4, 8 i 9, jak również zastosowania kontrolera lub odbiornika/sterownika z funkcją ustawienia wstępnego. Obracanie i uchylenie działa tak samo jak w poprzednio opisanych modelach; tak samo reguluje się także ograniczniki.

5 SCHEMATY OKABLOWANIA

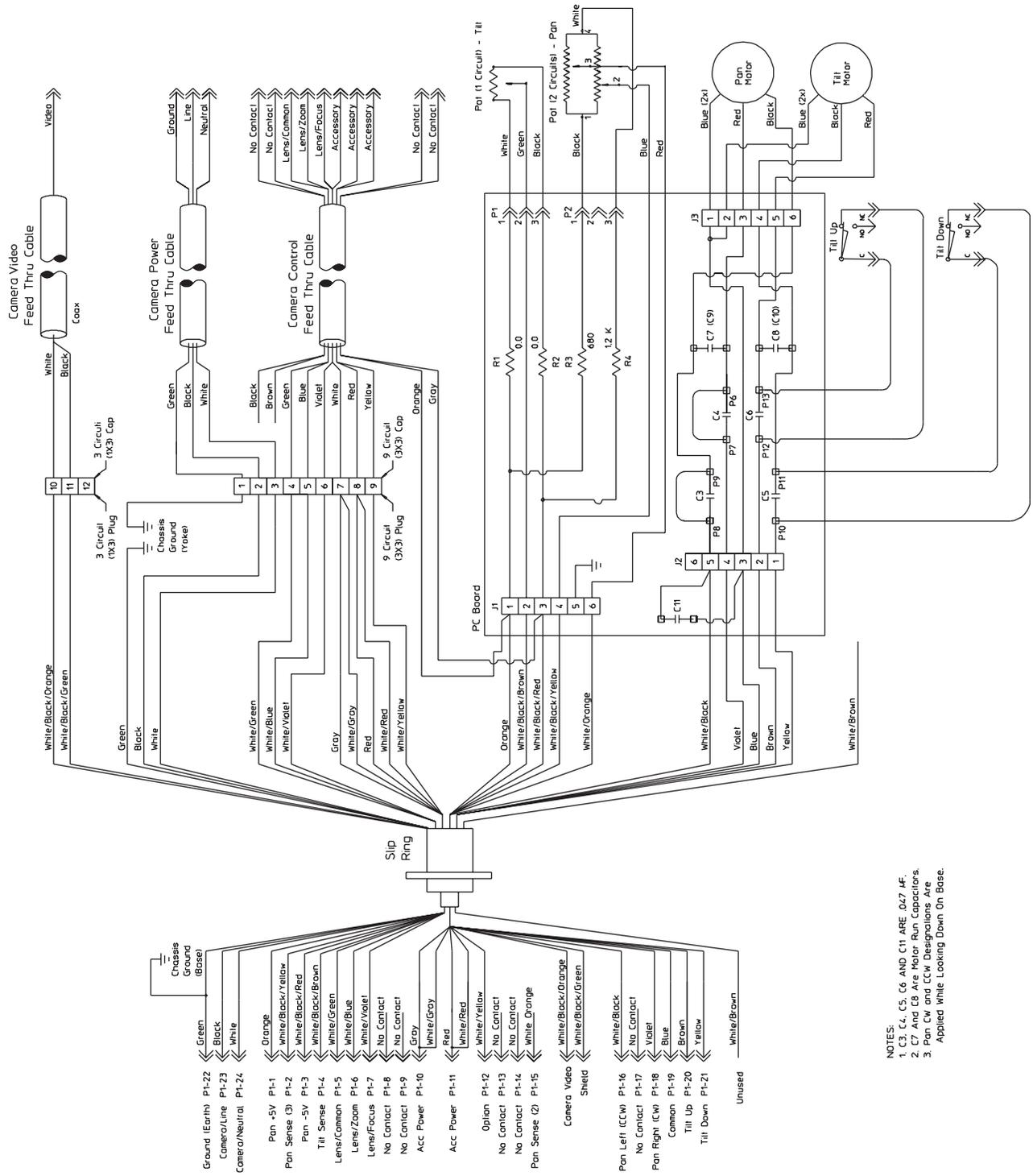


Rysunek 6: Schemat okablowania — modele 00-3450



- NOTES**
1. C3, C4, C5 AND C11 ARE 0.47 uF
 2. C7 AND C8 ARE MOTOR RUN CAPACITORS
 3. NO PRE-POSITION CAPABILITIES AVAILABLE
 4. Pan, CW and CCW Designations Are Applied While Looking Down On Base

Rysunek 7: Schemat okablowania — modele 360°



- NOTES:
1. C3, C4, C5, C6 AND C11 ARE 0.47 uF.
 2. C7 AND C8 ARE Motor Run Capacitors.
 3. Pan, CW and CCW Designations Are Applied While Looking Down On Base.

Rysunek 8: Schemat okablowania — modele 360°

6 ZALECANE ZASTOSOWANIA

Tylko modele 360°



Z modelami 360° głowic obrotowo-uchyłnych powinny być stosowane tylko kamery/obudowy 24 V.

Modele 24 V przepustowe

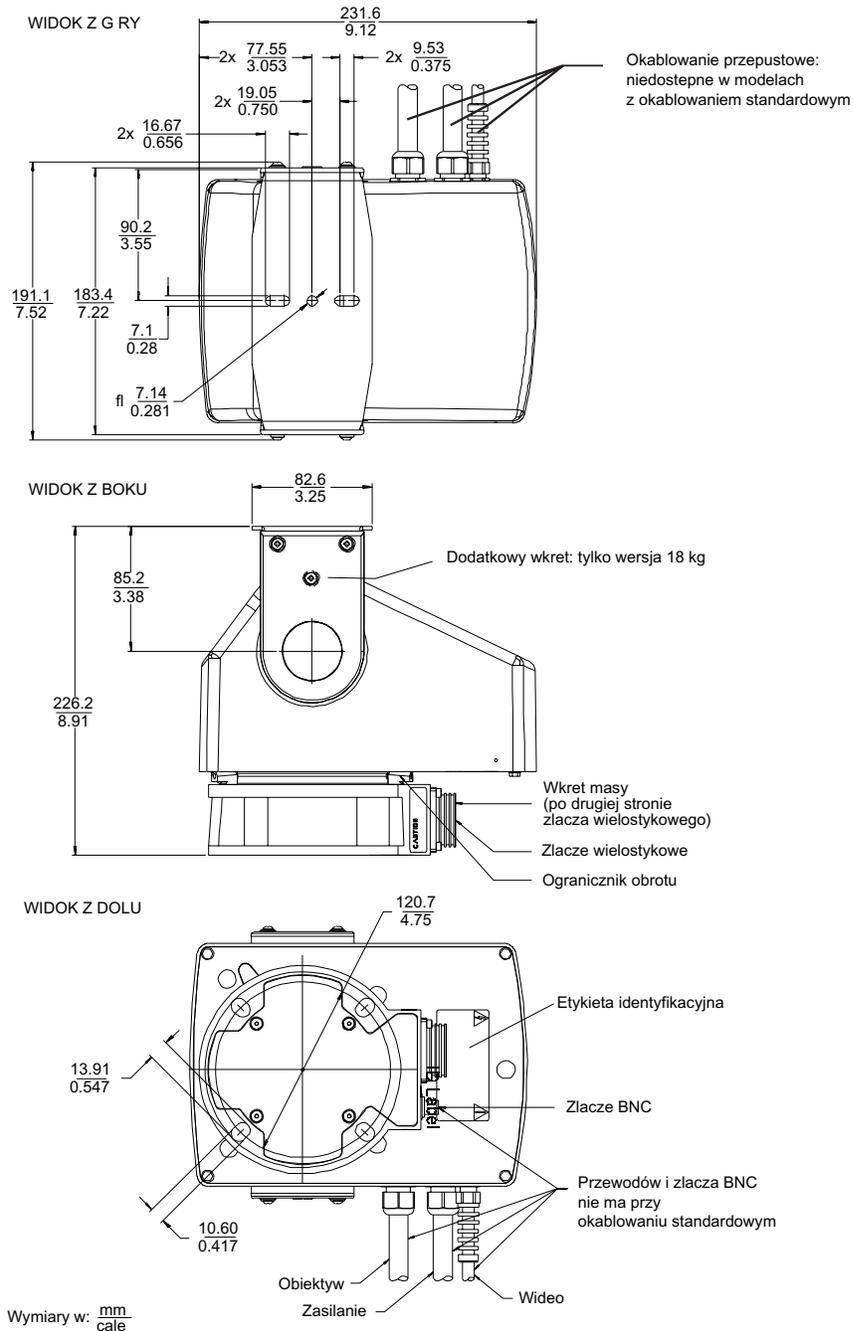


Aby utrzymać zgodność z atestami cUL i TUV, stosować tylko obudowy/kamery 24 V.



Maksymalna moc dla kombinacji podgrzewacza/dmuchawy wynosi 75 W, aby nie przeciążać pierścienia ślizgowego. Odbiór ten musi być zasilany przez styk 10 (biały przepustowy) i styk 11 (czerwony przepustowy). Patrz **Rysunek 2**.

14 RYSUNEK WYMIAROWY



Rysunek 9

Bosch Security Systems, Inc.
850 Greenfield Road
Lancaster, PA 17601 EE.UU.
Tel: 800-326-3270
Fax: 717-735-6560
www.boschsecuritysystems.com

Robert Bosch GmbH
Geschäftsbereich
Postfach 10 60 50
70049 Stuttgart
Telefax (0711) 811-1234

Bosch Security Systems B.V.
P.O. Box 80002
5600 JB Eindhoven
The Netherlands
Tele +31 40 27 80000

@ 2003 Bosch Security Systems GmbH
100 0083 001 ML 08/03 Data subject to change without notice.

BOSCH