

# **Boss Audio**

# **SERVICE MANUAL**

**MODEL NO. B V 17 FLIP**

## **CONTENTS**

SPECIFICATION.....	1
BLOCK DIAGRAM.....	2
SCHEMATIC DIAGRAM.....	3-12
EXPLODED VIEW.....	13-14

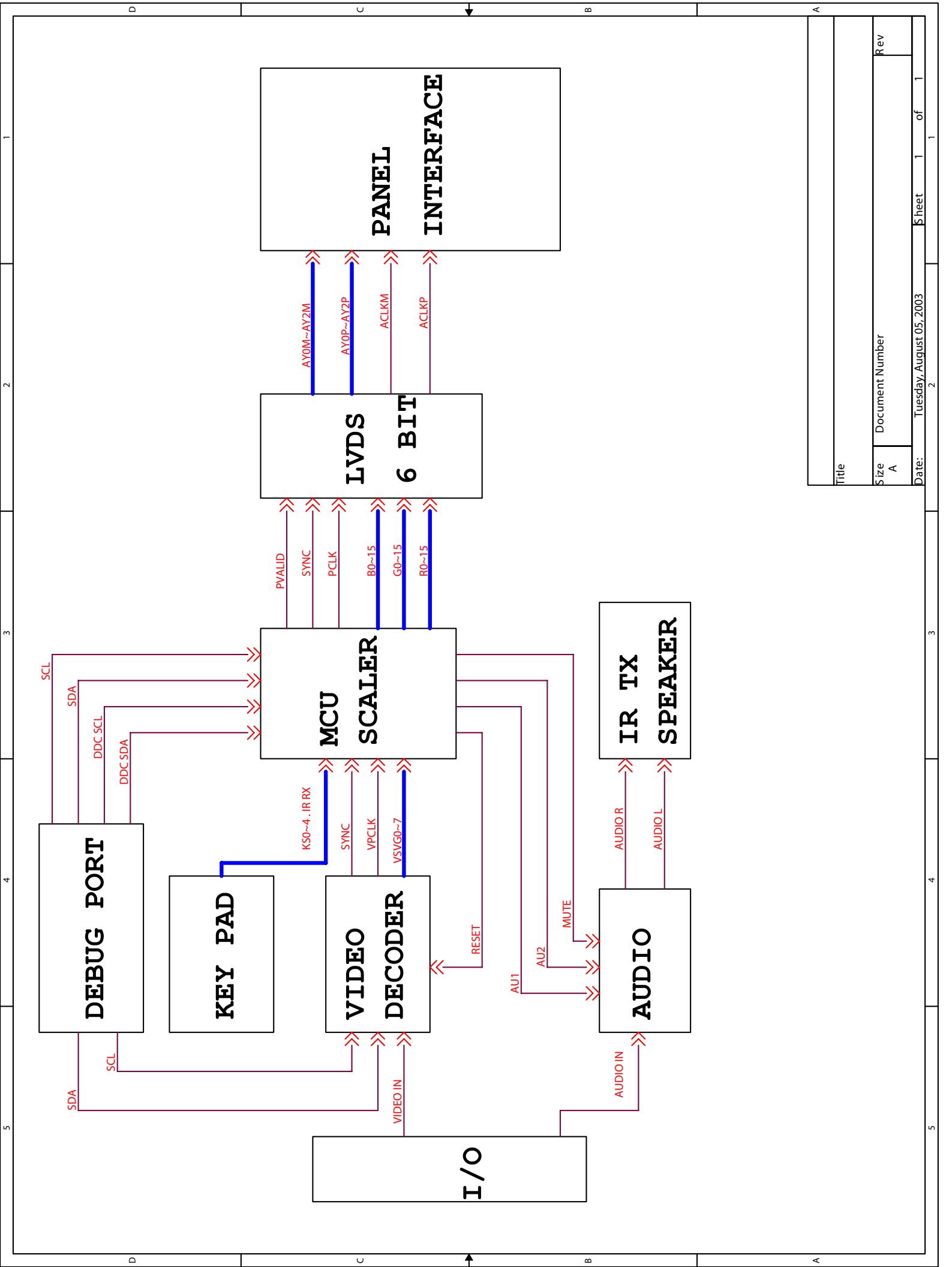
APPROVED BY

CHECK BY:

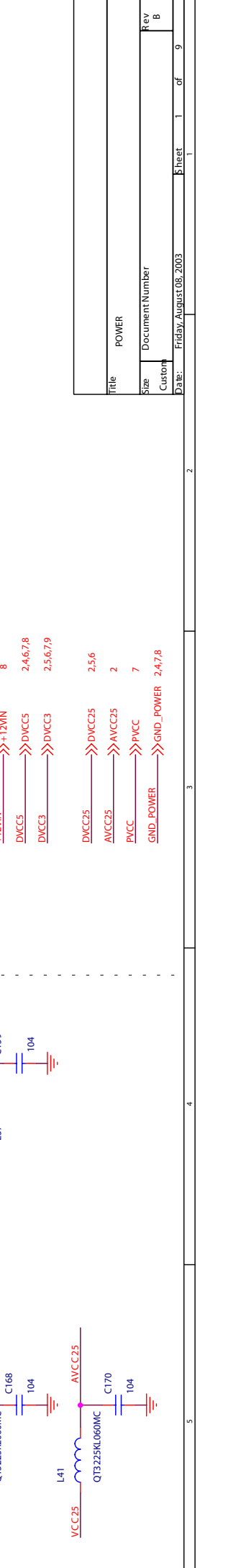
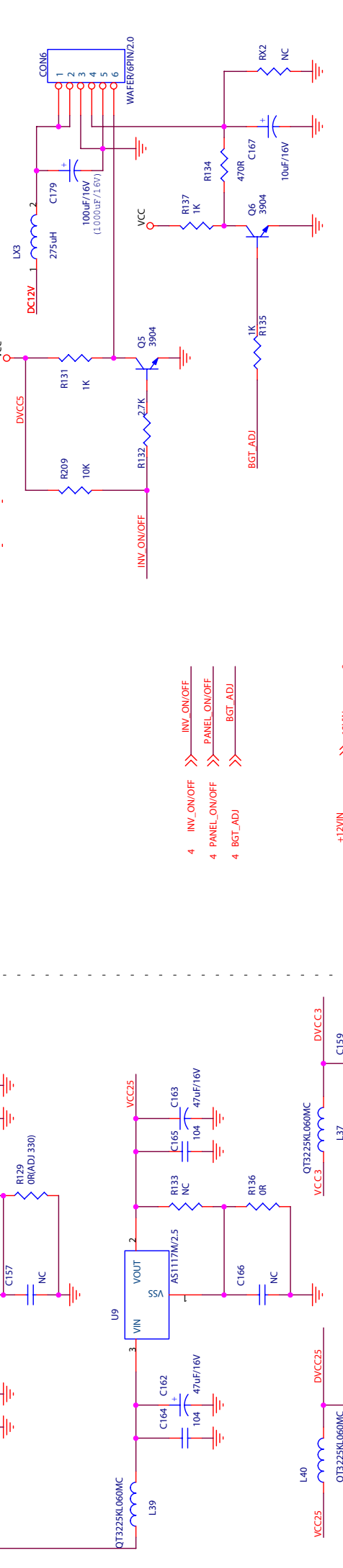
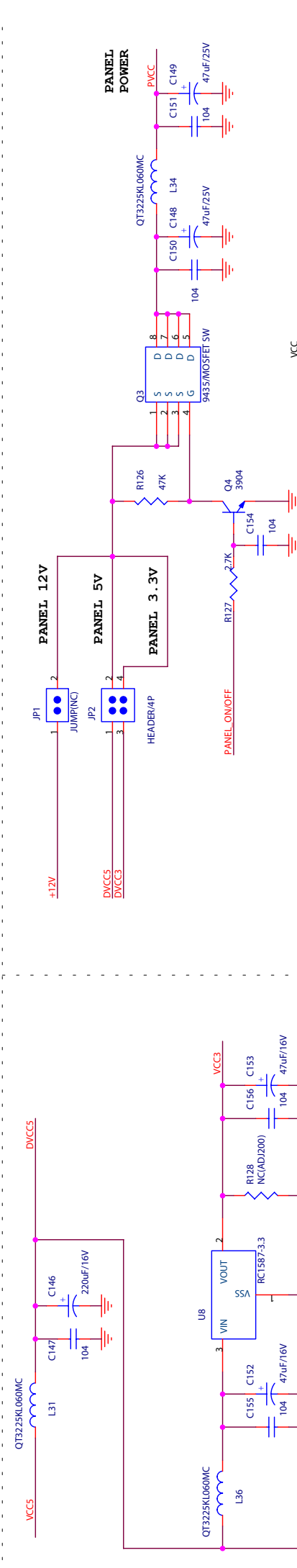
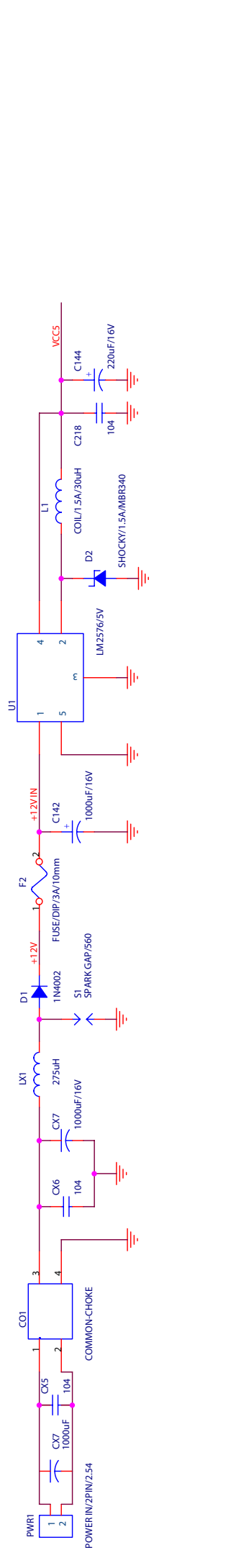
ISSUED BY:

## SPECIFICATION

Type	Roof Mount Color Display Monitor
Signal Input	Sync. : Separate TTL sync. Video: Composite sync. System: NTSC M,N PAL SECAM Audio : 1.0 V p-p
Display System	Active Matrix High Resolution TFT-LCD Monitor
Environment	Operating Temperature: 0-35C Storage Temperature : -20C-60C Humidity: 20%-90%

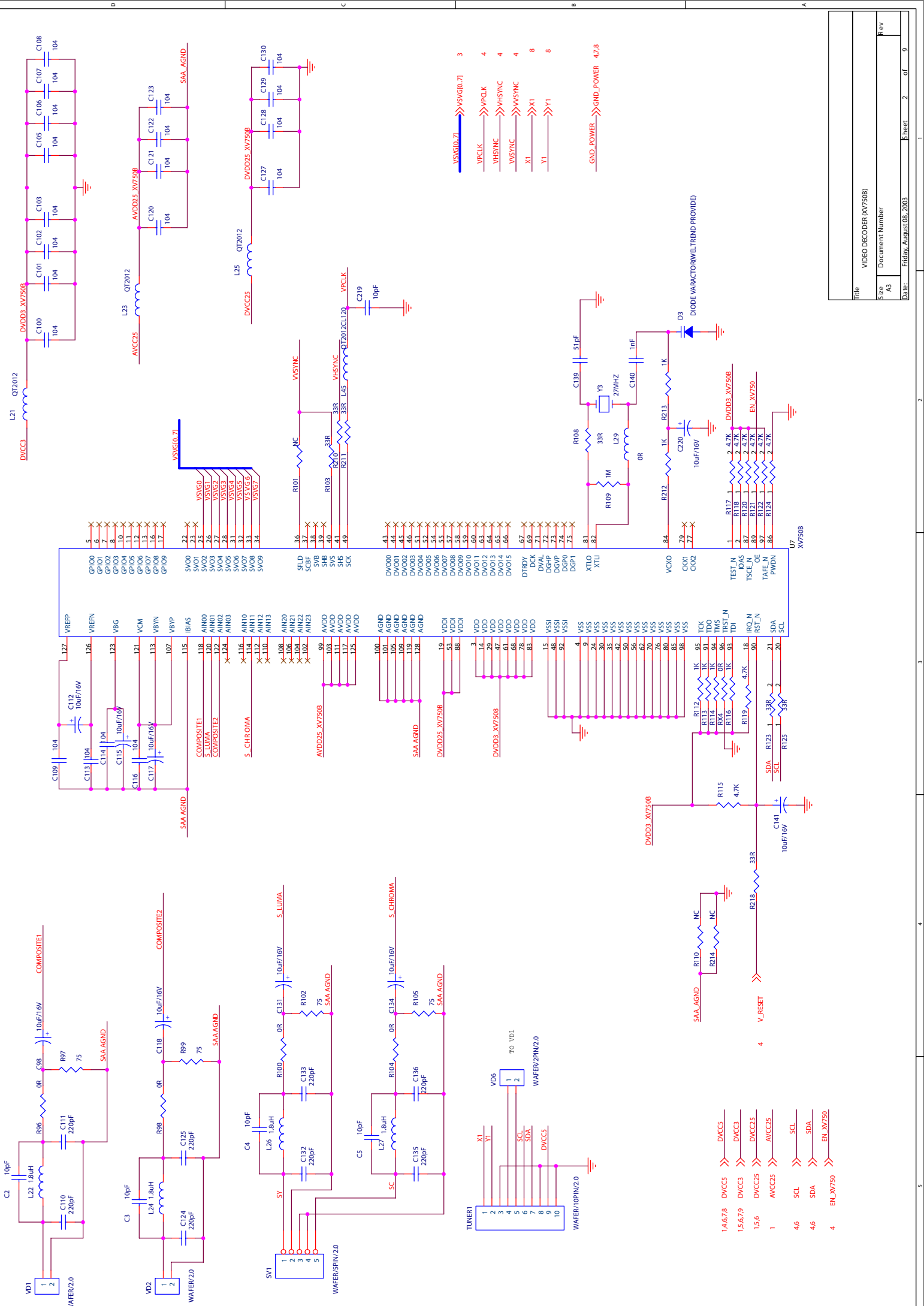


Title	
Size	Document Number
A	
Date:	Tuesday, August 05, 2003
Sheet	1 of 1



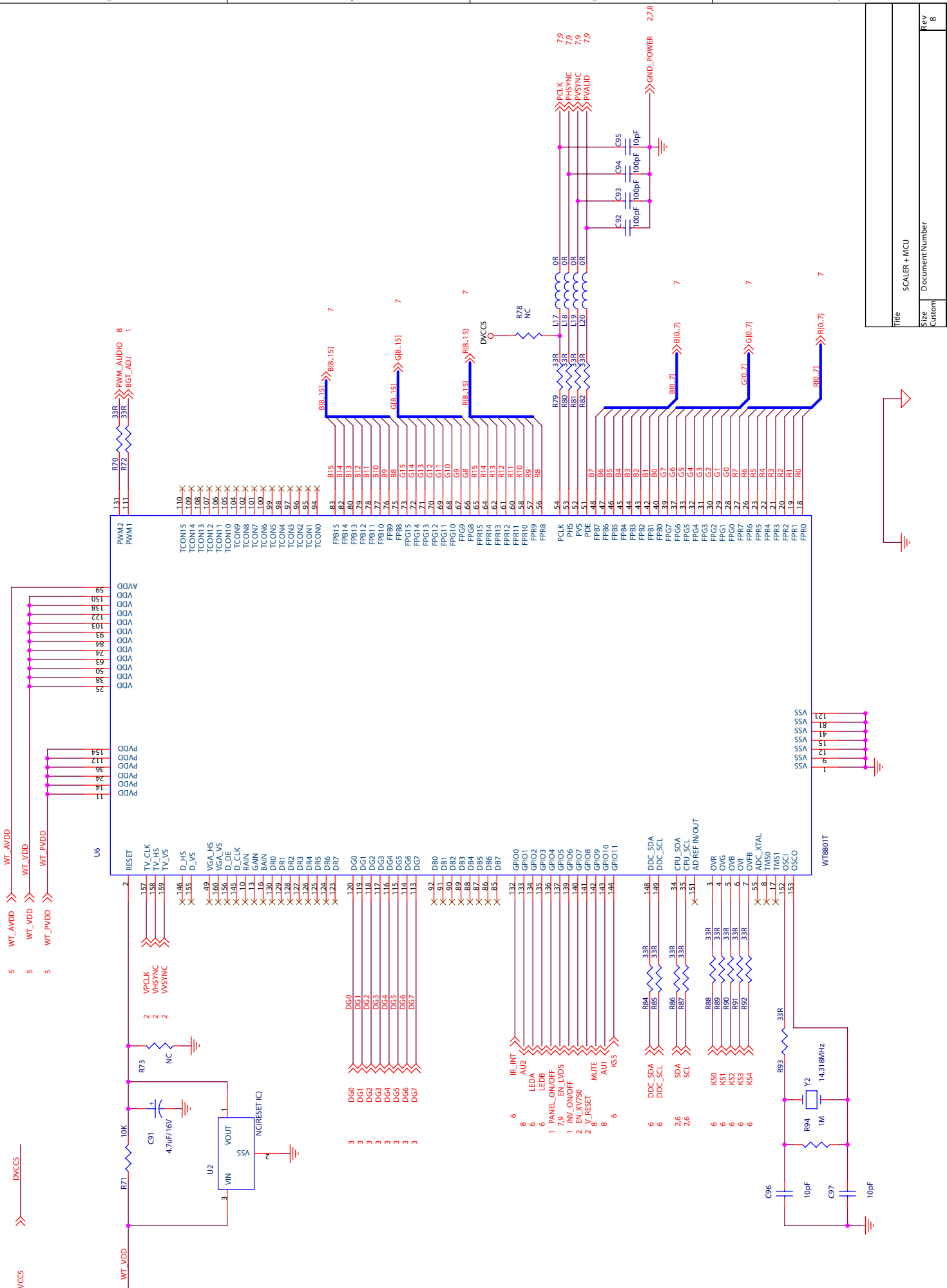
Title	
POWER	
Size	Document Number
Custom	Rev B
Date:	Friday, August 08, 2003
Sheet 1	of 9

- 4 INV\_ON/OFF >>> INV\_ON/OFF
- 4 PANEL\_ON/OFF >>> PANEL\_ON/OFF
- 4 BGT\_ADJ >>> BGT\_ADJ
- +12VIN >>> +12VIN 8
- DVCC5 >>> DVCC5 2,4,6,7,8
- DVCC3 >>> DVCC3 2,5,6,7,9
- DVCC25 >>> DVCC25 2,5,6
- AVCC25 >>> AVCC25 2
- PVCC >>> PVCC 7
- GND\_POWER >>> GND\_POWER 2,4,7,8



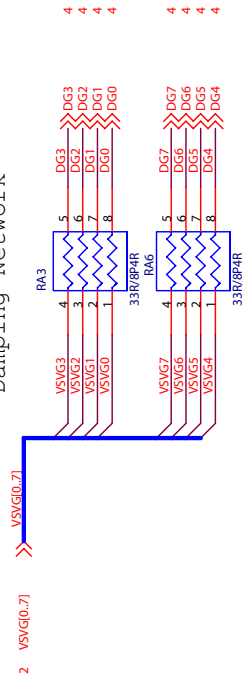
Title		VIDEO DECODER (XV750B)
S/N		Document Number
A3		Friday, August 08, 2003
Sheet	2	of 9

1,4,6,7,8	DVCC5	>>>
1,5,6,7,9	DVCC3	>>>
1,5,6	DVCC25	>>>
1	AVCC25	>>>
4,6	SCL	>>>
4,6	SDA	>>>
4	EN_XV750	>>>



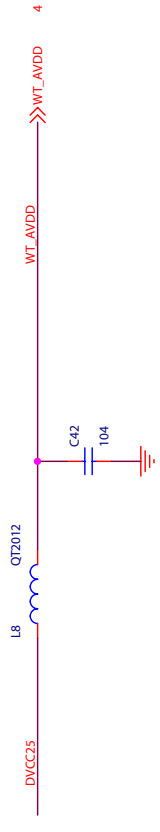
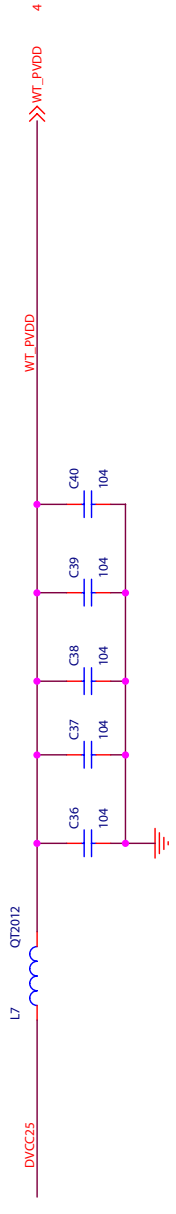
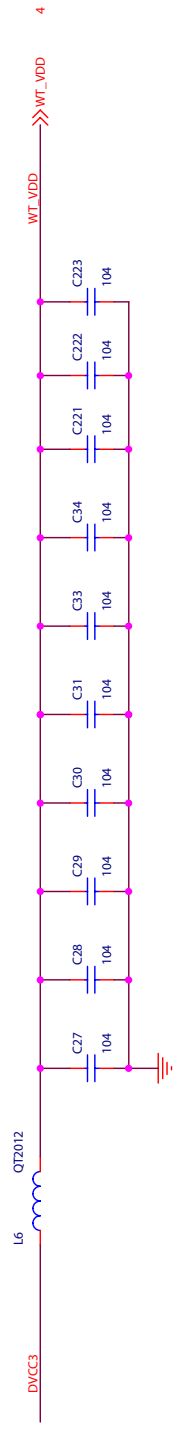
Title	SCALER + MCU
Size	Document Number
Custom	
Date:	Friday, August 06, 2009
Sheet	4 of 9
Rev	B

VIDEO Interface  
Damping Network



Title	DAMPING NETWORKS
Size	B
Rev	Document Number
Date:	Friday, August 08, 2003
Sheet	3 of 9

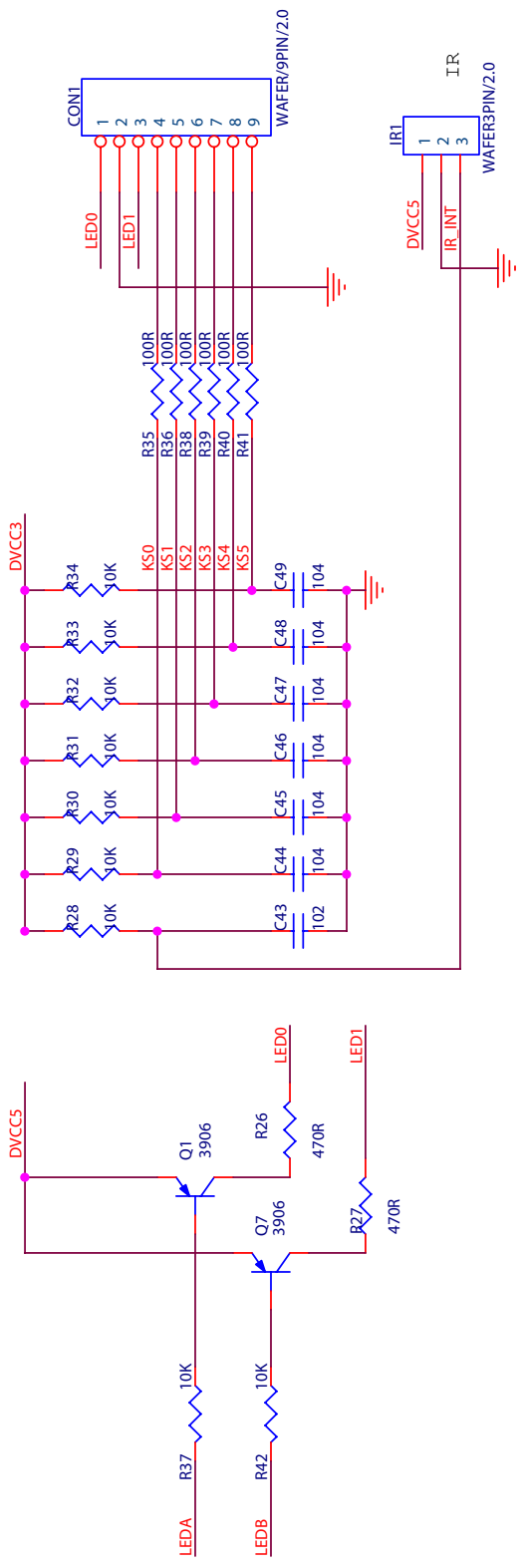
1,2,6,7,9 DVCC3  
1,2,6 DVCC25



GND\_POWER >>> GND\_POWER 2,4,7,8

Title		SCALER POWER	
Size	Document Number		Rev
B			B
Date:	Friday, August 08, 2003	Sheet	5 of 9

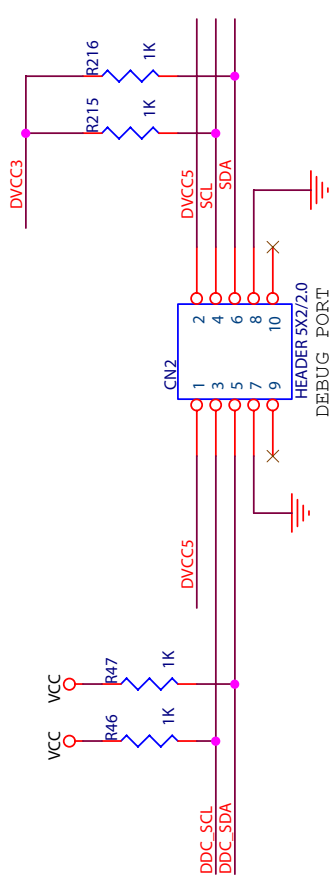
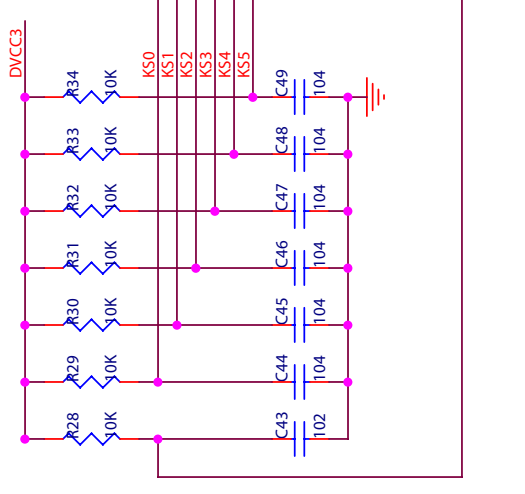




LEDA	>>>	4
LEDB	>>>	4
KS0	>>>	4
KS1	>>>	4
KS2	>>>	4
KS3	>>>	4
KS4	>>>	4
KS5	>>>	4
IR_INT	>>>	4

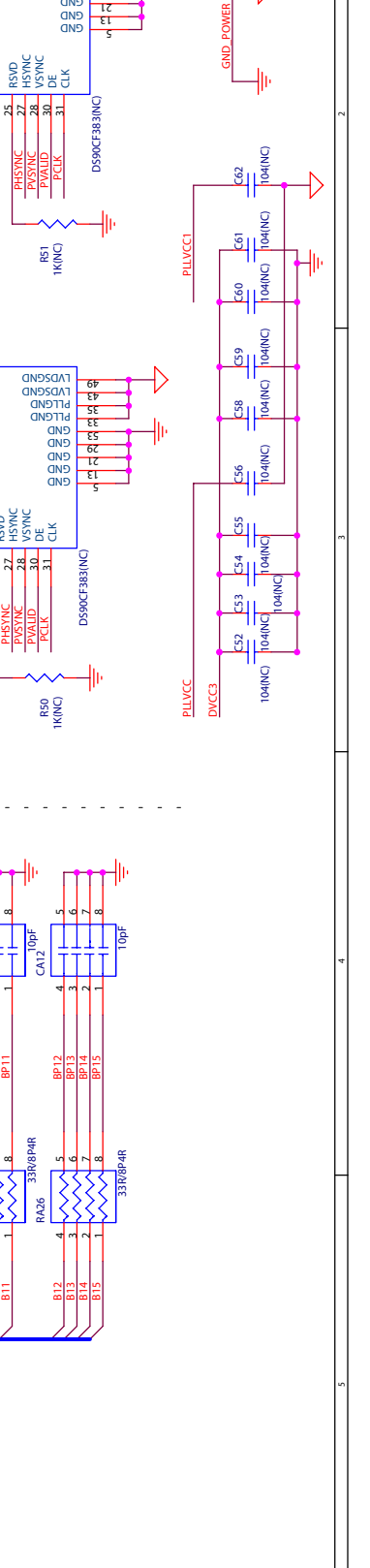
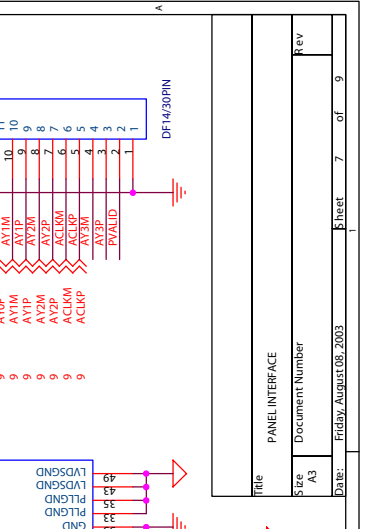
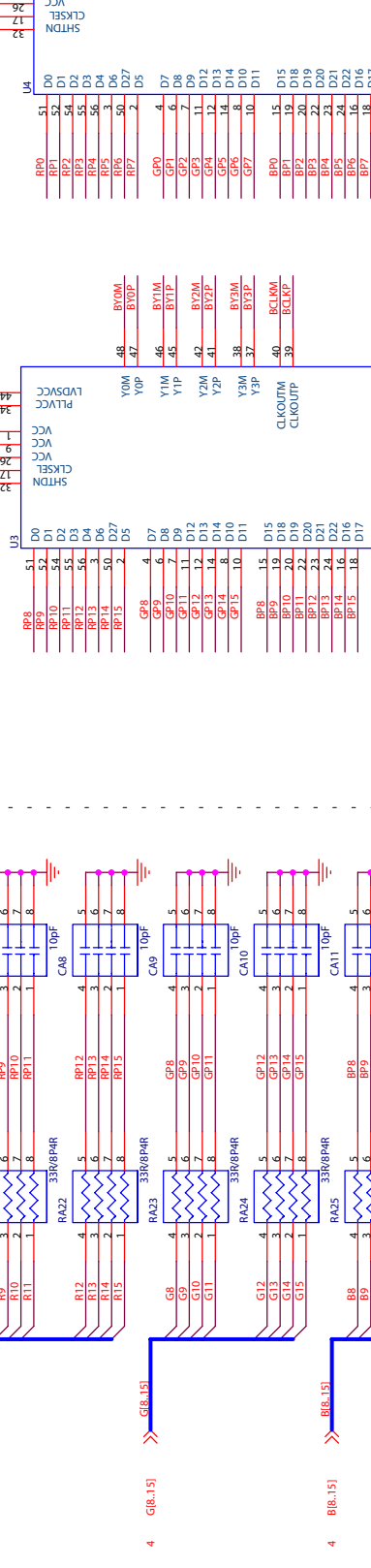
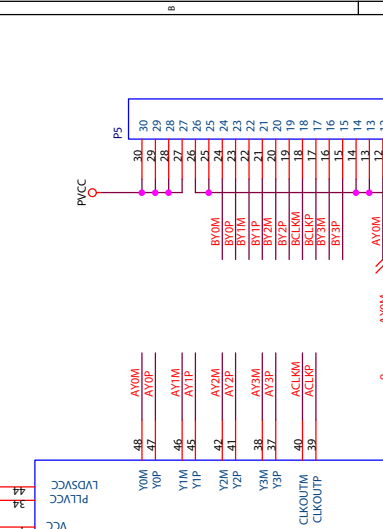
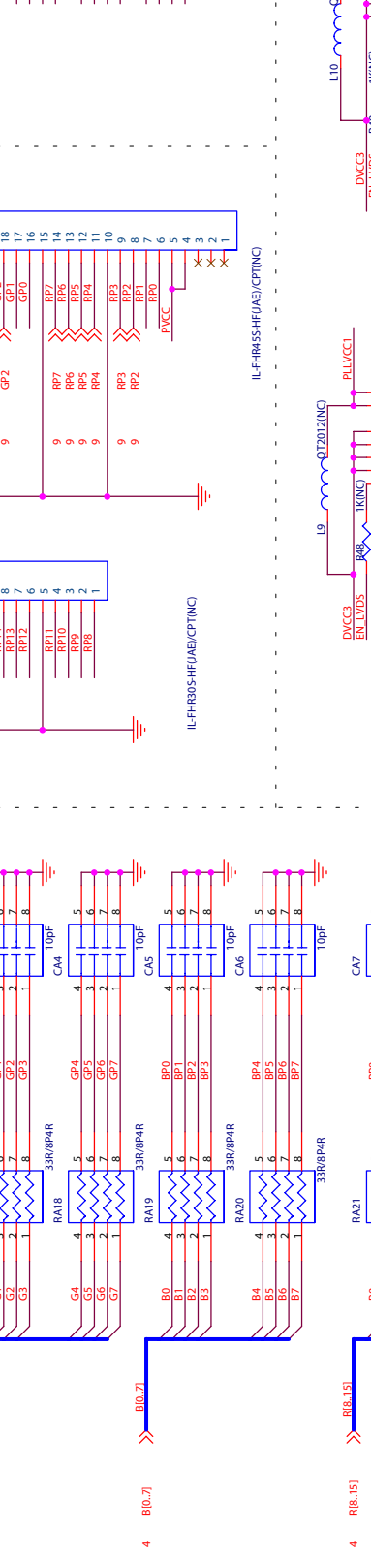
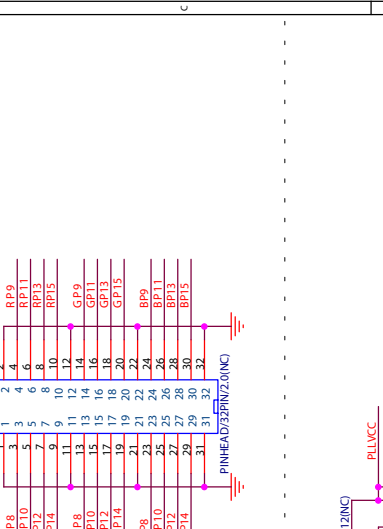
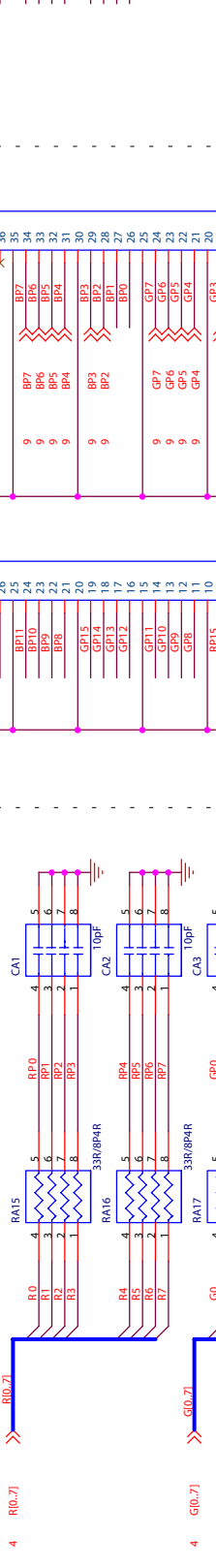
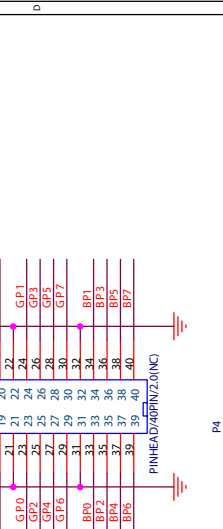
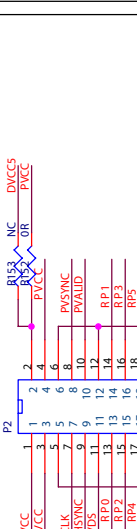
SCL	>>>	2,4
SDA	>>>	2,4

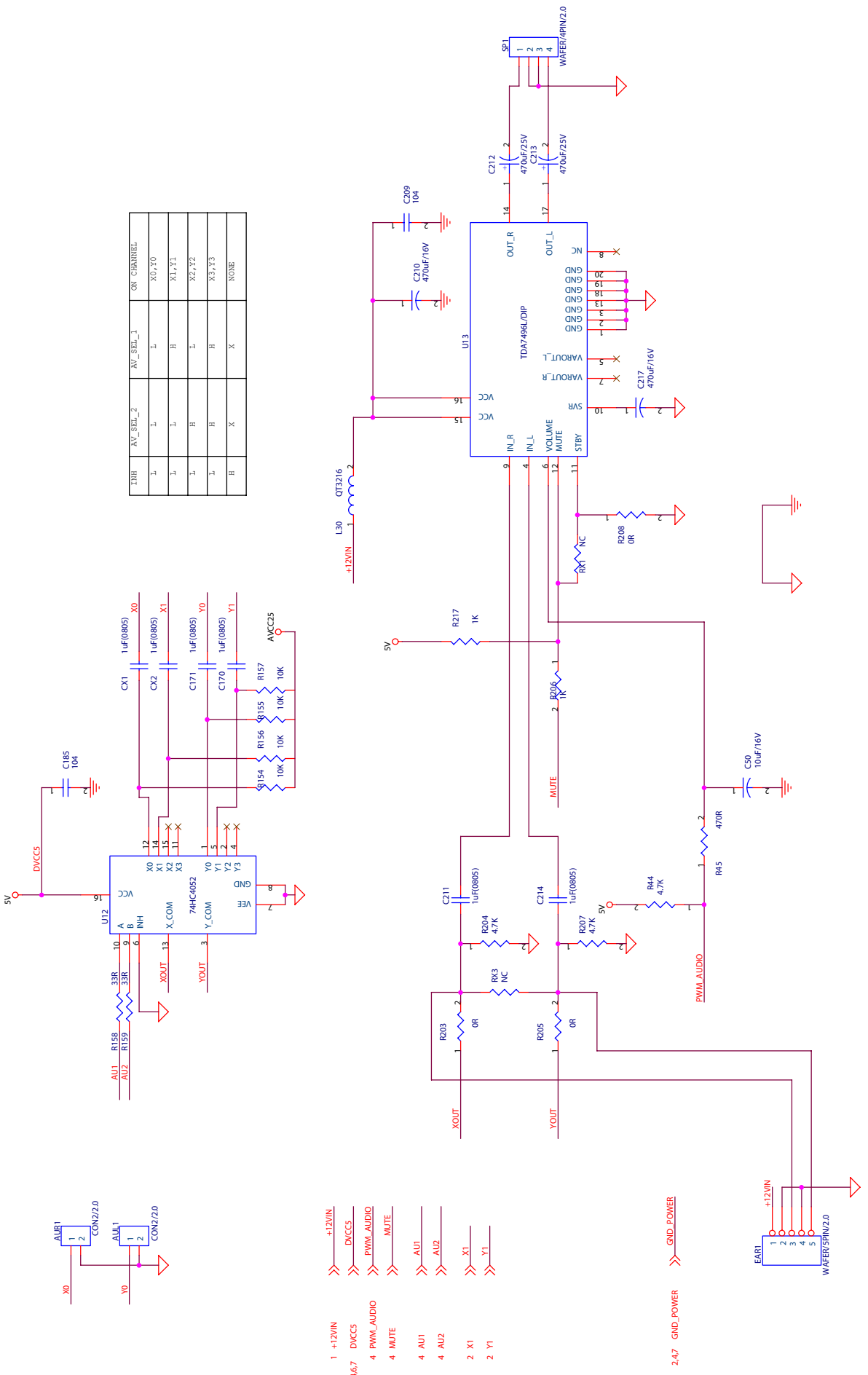
GND\_POWER >>> GND\_POWER 2,4,7,8



VCC	>>>	1,2,4,7,8
DVCC5	>>>	1,2,5
DVCC25	>>>	1,2,5,7,9
DVCC3	>>>	4
DDC_SCL	>>>	4
DDC_SDA	>>>	4

Title		KEYPAD	
Size	A4	Document Number	
Date:	Friday, August 08, 2003	Sheet	6 of 9





INH	AV_SEL_2	AV_SEL_1	ON CHANNEL
L	L	L	X0, Y0
L	L	H	X1, Y1
L	H	L	X2, Y2
L	H	H	X3, Y3
H	X	X	NONE

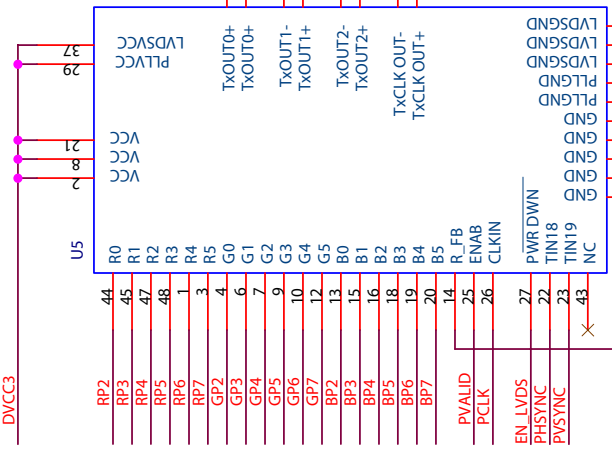
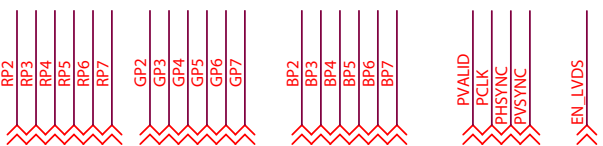
- 1 +12VIN
- 1,2,4,6,7 DVCCS
- 4 PWM\_AUDIO
- 4 MUTE
- 4 AU1
- 4 AU2
- 2 X1
- 2 Y1

- 2,4,7 GND\_POWER

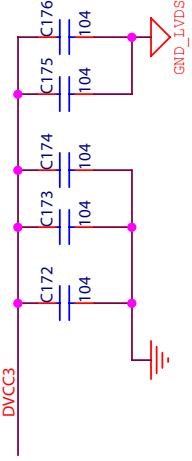
1,2,5,6,7 DVCC3

DVCC3

- 7 RP2
- 7 RP3
- 7 RP4
- 7 RP5
- 7 RP6
- 7 RP7
- 7 GP2
- 7 GP3
- 7 GP4
- 7 GP5
- 7 GP6
- 7 GP7
- 7 BP2
- 7 BP3
- 7 BP4
- 7 BP5
- 7 BP6
- 7 BP7
- 4,7 PVALID
- 4,7 PCLK
- 4,7 PHSYNC
- 4,7 PVSYSN
- 4,7 EN\_LVDS



- 7 AY0M
- 7 AY0P
- 7 AY1M
- 7 AY1P
- 7 AY2M
- 7 AY2P
- 7 ACLKM
- 7 ACLKP



DS90CF384

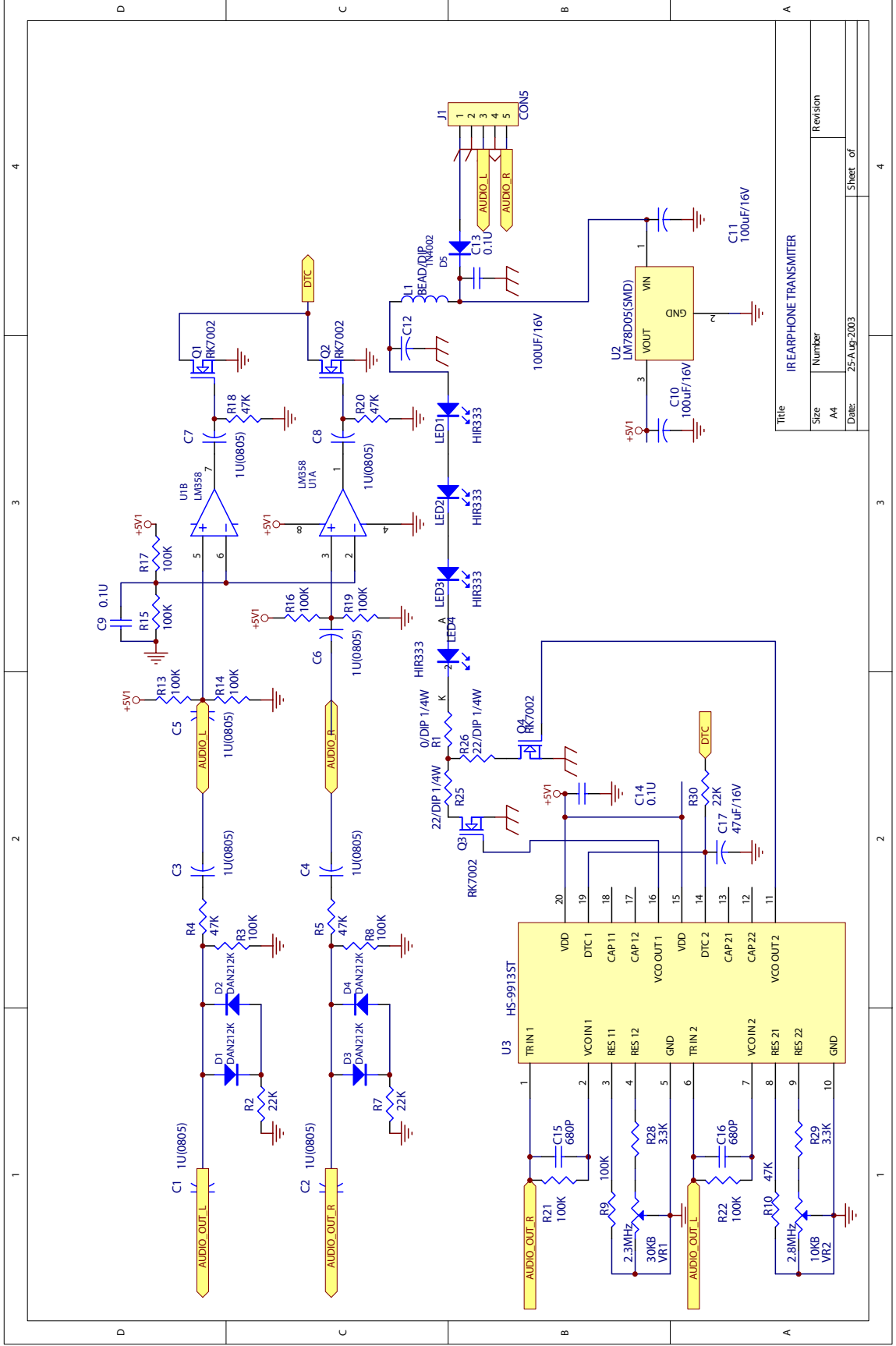
Title LVDS 6 BIT

Size A4 Document Number

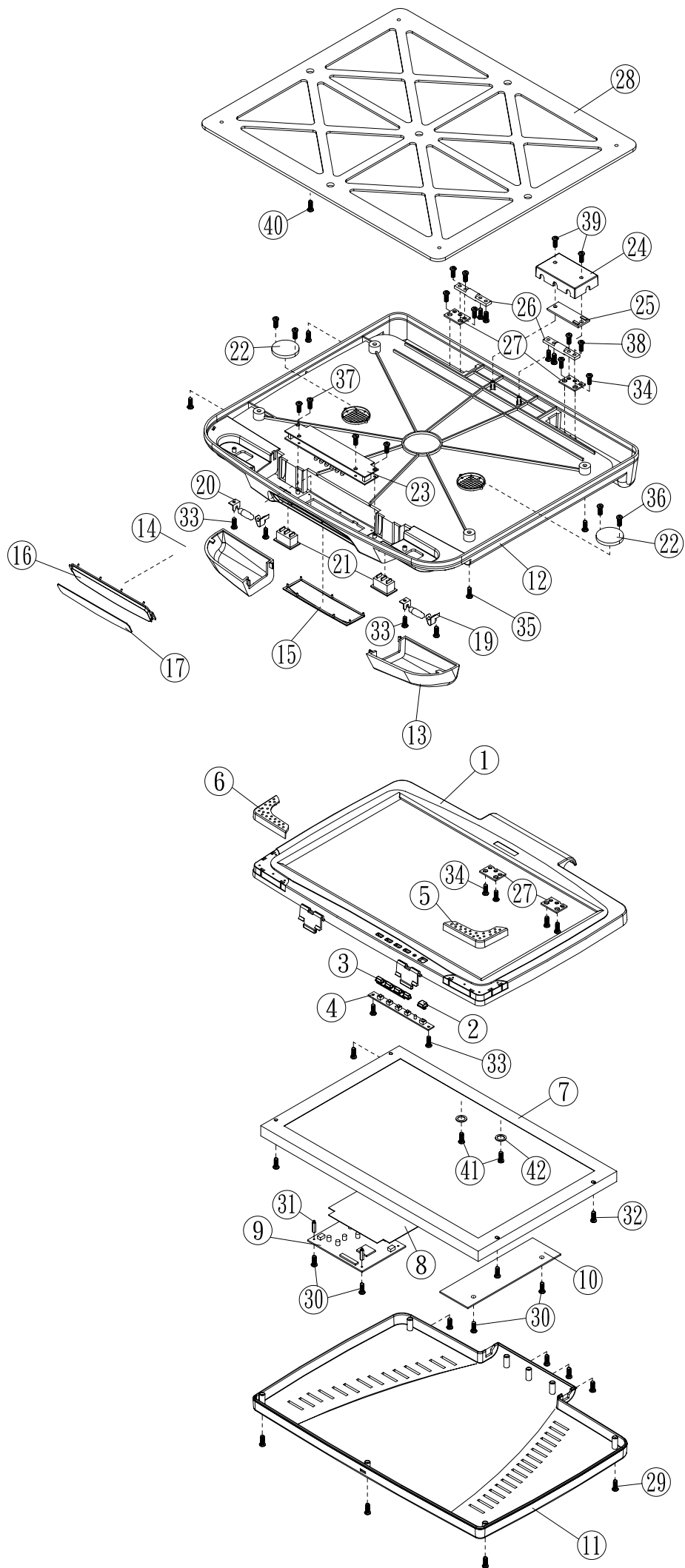
Date: Friday, August 08, 2003

Rev B

Sheet 9 of 9



Title		IREARPHONE TRANSMITTER	
Size	Number	Revision	
A4			
Date:	25-Aug-2003	Sheet	of



## EXPLODED VIEW PARTS

NO.	PART NO.	DESCRIPTION	QTY
1.	100-01770-010	FRONT CABINET	1
2.	107-01770-050	CABINET RUBBER R	1
3.	104-01770-010	KEY KNOB	1
4.	701-01770-010	KEY BOARD	1
5.	110-00170-010	CABINET RUBBER L	1
6.	110-00170-020	CABINET RUBBER R	1
7.	045-00170-020	LCD PANEL	1
8.	110-00104-020	SHIELD PALTE	1
9.	710-00170-010	MAIN BOARD	1
10.	002-00170-010	INVERTER	1
11.	100-00153-020	BACK CABINET	1
12.	102-01770-010	BOTTOM BASE	1
13.	107-01770-030	LAMP WINDOW L	1
14.	107-01770-040	LAMP WINDOW R	1
15.	107-01770-020	ACRYLIC WINDOW	1
16.	103-01770-010	LOGO HOLDER A	1
17.		NAME PLATE 142X32MM	1
18.	103-01770-020	LOGO HOLDER B	1
19.	109-00104-020	LAMP METAL L	2
20.	109-00104-010	LAMP METAL R	2
21.	043-00104-010	POWER SWITCH	2
22.	046-01770-010	SPEAKER 36#	2
23.	716-01770-010	IR TX BOARD	1
24.	102-01770-021	CABLE COVER	1
25.	706-00170-010	CABLE BOARD	1
26.	105-00133-010	HINGE	2
27.	106-00104-080	HINGE BRACKET	4
28.	106-00170-030	BOTTOM BRACKET	1
29.	115-30100-012	MACHINE SCREW RM 3#X10L BLK	8
30.	118-30050-011	TAPPING SCREW RT 3#X5L NI	4
31.	105-00170-010	COPPER POST M3X10X6.3	2
32.	115-30080-111	MACHINE SCREW RM 3#X8L NI	4
33.	117-26060-011	TAPPING SCREW RT 2.6#X6L NI	6
34.	115-40080-012	MACHINE SCREW RM 4#X8L BLK	8
35.	115-40100-012	MACHINE SCREW RM 4#X10L BLK	4
36.	117-20040-112	TAPPING SCREW RT 2#X4L BLK	4
37.	118-30050-011	TAPPING SCREW RT3#X5L NI	4
38.	115-40120-011	MACHINE SCREW RM 4#X12L NI	8
39.	118-26100-012	TAPPING SCREW RT 2.6#X10L BLK	2
40.	117-60200-012	MACHINE SCREW RM 6#X20L BLK	4
41.	118-26050-111	TAPPING SCREW RT 2.6#X5L NI	2
42.	111-32100-010	WASHER 3.2#X10#X1T	2